

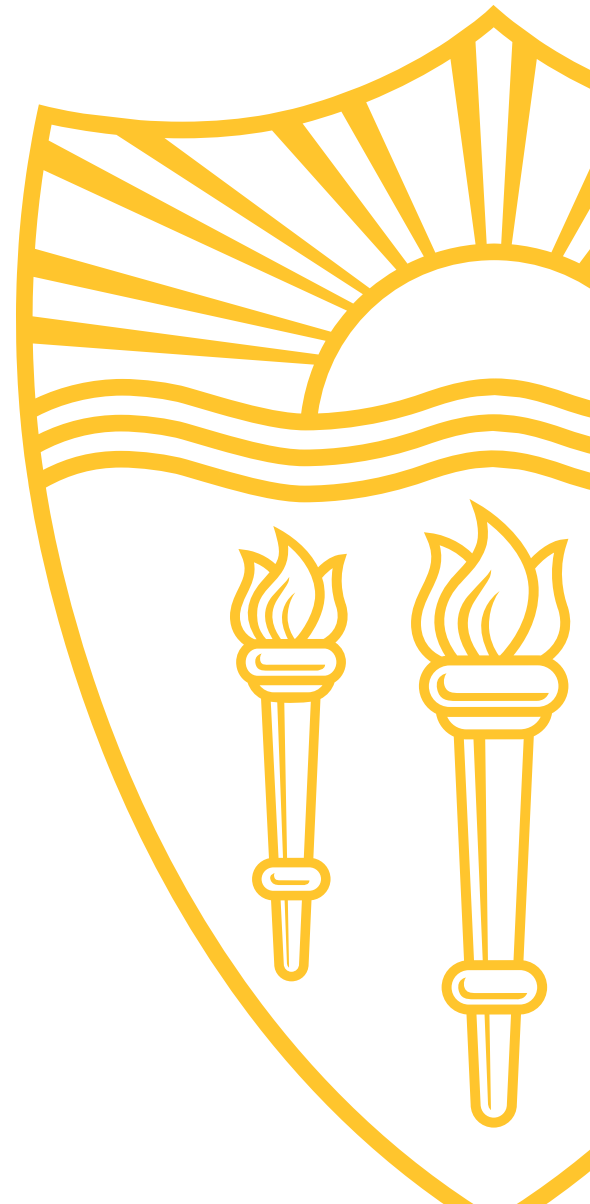
# Foundation for Cross-Connection Control and Hydraulic Research

## List of Approved Backflow Prevention Assemblies

06 September 2022



**USC** University of  
Southern California



---

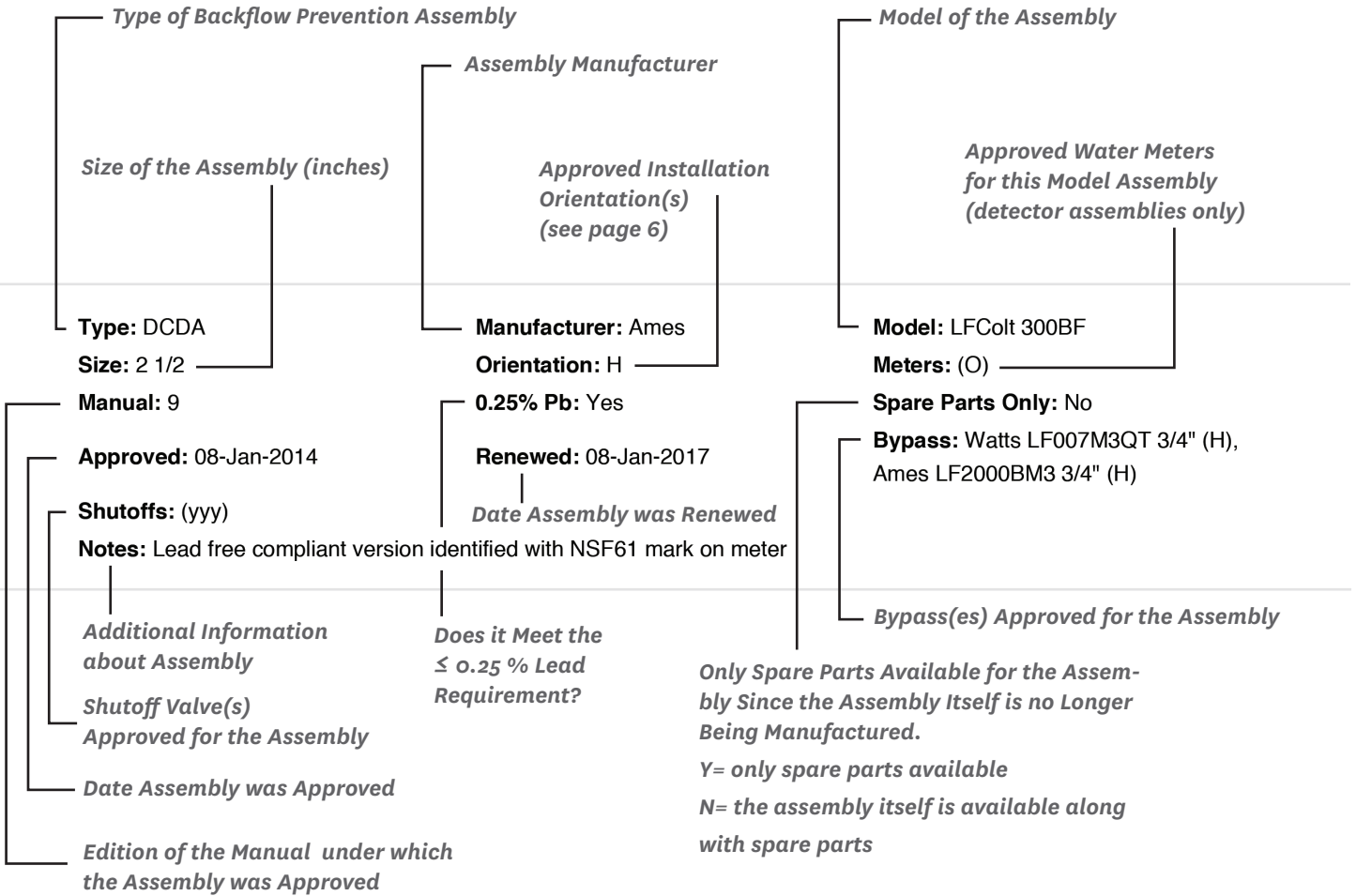
**The List of Approved Backflow Prevention Assemblies is published by  
the Foundation for Cross-Connection Control and Hydraulic Research  
a Division of the University of Southern California**

**2022 © University of Southern California  
All Rights Reserved**

# Table of Contents

<b>Legend</b>	<b>4</b>
<b>Notices</b>	<b>5</b>
<b>Orientation of Assemblies</b>	<b>6</b>
<b>Shutoff Valve Designation</b>	<b>7</b>
<b>Detector Assembly Meters</b>	<b>11</b>
<b>Special Notices</b>	<b>12</b>
<b>Atmospheric Vacuum Breaker (AVB)</b>	<b>13</b>
<b>Double Check Valve Assembly (DC)</b>	<b>14</b>
<b>Double Check-Detector Assembly (DCDA)</b>	<b>243</b>
<b>Double Check-Detector Assembly-Type II (DCDA-II)</b>	<b>377</b>
<b>Pressure Vacuum Breaker Assembly (PVB)</b>	<b>397</b>
<b>Reduced Pressure Principle Assembly (RP)</b>	<b>413</b>
<b>Reduced Pressure Principle-Detector Assembly (RPDA)</b>	<b>642</b>
<b>Reduced Pressure Principle-Detector Assembly-Type II (RPDA-II)</b>	<b>690</b>
<b>Spill-Resistant Pressure Vacuum Breaker Assembly (SVB)</b>	<b>702</b>
<b>Manufacturers of Approved Backflow Prevention Assemblies</b>	<b>705</b>

# Legend



# Notices

## **REGARDING RENEWALS:**

The original Certificate of Approval—identified by the Edition of the Manual and the approval date shown in this list is valid as of the date of this list, only if the original or renewal date shown hereon is within three (3) years of the date of this list. The responsibility to request a renewal of an Approval is that of each manufacturer. The USC Foundation retains the right of determining the extent of re-evaluation required before renewal is granted. Certificates of Approval are not recalled for the purpose of updating the effective date. This revision of date is only published via the current List of Approved Backflow Prevention Assemblies.

## **REGARDING INSTALLATION:**

Unless otherwise specified by the manufacturer all assemblies are to be installed on cold potable water applications - below 110oF. Also, all of the assemblies listed are Approved for the INDICATED ORIENTATION(S) ONLY. Rotation of assemblies on either axis will invalidate the USC Foundation's Approval. Use of spare parts other than those of the original manufacturer invalidates the Approval. Rotation of shutoff valves of one bolt hole only is permitted only for the 2 1/2" and larger flanged assemblies.

## **REGARDING LEAD CONTENT:**

In order to determine if backflow preventers comply with lead-free requirements of several states and the Safe Drinking Water Act, USC Foundation Approved assemblies which comply with the  $\leq 0.25\%$  lead requirement are indicated by a Y in the column  $\leq 0.25\%Pb$ .

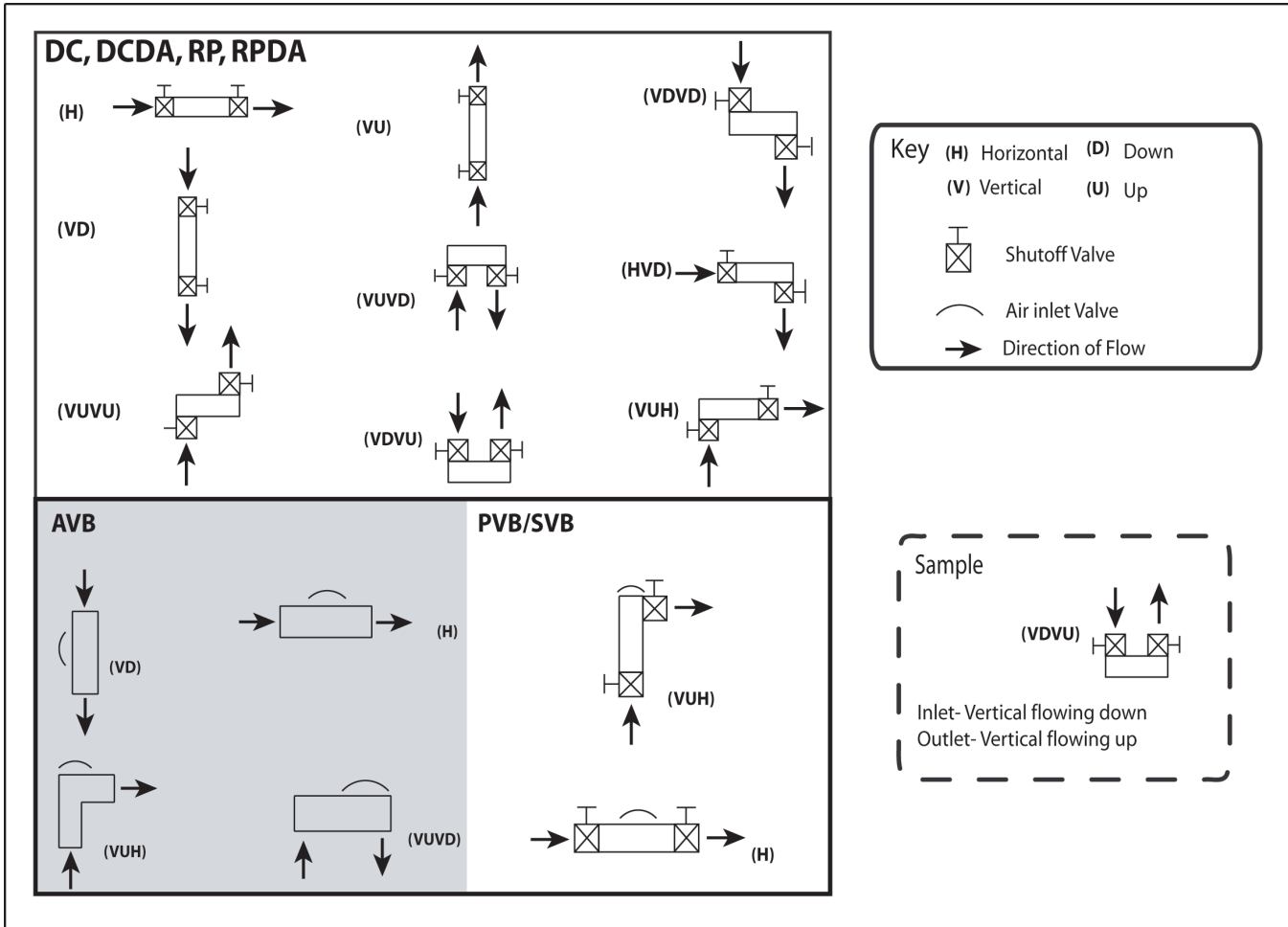
## **REGARDING LIST UPDATES:**

The List of Approved Assemblies is printed annually in the first quarter of the year. Update notices are printed and sent to USC Foundation Members quarterly. The most recent changes to the List may be found on the USC Foundation's website. The web version of the List is updated each time a change is made.

## **REGARDING SUSPENSIONS:**

As part of an assembly's ongoing approval process, manufacturers are required to submit selected assemblies for review and re-evaluation. When a manufacturer fails to provide a required assembly, the assembly's approval is suspended. Once the assembly satisfactorily completes the renewal review and re-evaluation, the suspension will be removed.

# Orientation of Assemblies



# Shutoff Valve Designation

Each backflow prevention assembly has been evaluated with a specific set of shutoff valves as an integral part of the assembly. The specific shutoff valves are coded by a parenthetic code with each assembly. This coding of shutoff valves is defined below. Other shutoff valves having similar performance characteristics which permit the assembly to comply with the standards are also shown immediately after the original shutoff valves. The use of any shutoff valve, other than those listed for that specific assembly invalidates the Approval. Assemblies listed with a Y in the “spare parts only” column may not include the shutoff valve designation.

(aa)	American Figure 1-QT
(bb)	American Figure 17-NRS RW
(cc)	American Figure 37OOSY RW
(dd)	Apollo Series 7B-QT
(ee)	AVK Series 25-NRS
(ff)	AVK Series 25-OSY (Nibco F607RW OSY)
(gg)	Clow R/W Model 2640 (FxF) - NRS
	(formerly Clow R/W F6102-NRS)
(hh)	Clow R/W Model 2640 (FxF) - OSY
	(formerly Clow R/W F6136-OSY)
(ii)	Fortune Series 620/623 (C84400 Bronze) (Formerly Figure 601)
	Private labeled as: Ames, Buckner, Febco, Flomatic, Hersey and Wilkins
(jj)	Kennedy Ken Seal I-NRS
(kk)	Kennedy Ken Seal-OSY
(ll)	Kennedy Model KS-FW Figure 8561 (FxF) - NRS (2 1/2" - 12")
	Kennedy Model KS-RW Figure 7561 (FxF) - NRS (4" - 10")
	(formerly Kennedy Ken Seal II-NRS)
(mm)	Kennedy Model KS-FW Figure 8068 (FxF) - OSY (2 1/2" - 12")
	Kennedy Model KS-RW Figure 7068 (FxF) - OSY (4" - 10")
	(formerly Kennedy Ken Seal II-OSY)
(nn)	Lee Brass-QT
(oo)	Watts Model 405 (2-1/2" - 10" NRS-RW FxF)
(pp)	Watts Model 408 (2-1/2" - 10" OSY-RW FxF)
(qq)	Mueller R/W HP NRS
(rr)	Mueller R/W HP OSY
(ss)	Toro.Orion Integral Ball Valve-QT
(tt)	American Flow Control (Waterous) Series 500-NRS
(uu)	American Flow Control (Waterous) Series 500-OSY
(vv)	Watts Model FBV & FBV-E (1/4" - 2" Ball Valve QT)
	Ames Model FBV & FBV-E (1/4" - 2" Ball Valve QT)
(ww)	Watts Moel G4000-FDA (2-1/2" -10" Ball Valve FxF)
(xx)	Watts Model 6080 & 6080-E (1/4" - 2" Ball Valve QT)
(yy)	Matco-Norca 10RW (NRS)
(zz)	Matco-Norca 105U (OSY)
(aaa)	American Flow Control Series 2500-NRS
(bbb)	American Flow Control Series 2500-OSY
(ccc)	M&H Model 4067-02 (NRS)
(ddd)	M&H Model 4068-02(OSY)
(eee)	Stockham Model G-610 (OSY)

## Shutoff Valve Designation

(fff)	Febco Series 620 QT
(ggg)	Fortune Figure 620U-QT
(hhh)	Watts Model S-FBV & S-FBV-E (1/4" - 1" Ball Valve QT)
(iii)	Mueller Model A2360-NRS
(int)	Shutoff Valve is integral part of assembly
(jjj)	Febco Series 621-QT
(kkk)	Febco Series 620U-QT
(lll)	Mueller Model R2360-OSY
(mmm)	Conbraco Series IBVE-125-QT
(nnn)	Kennedy Model KS-FW Figure 8701 (FxF) - NRS (3" - 10") Post Indicator/Tapping
	Kennedy Model KS-RW Figure 7701 (FxF) - NRS (4" - 10") Post Indicator/Tapping
	(formerly Kennedy Ken Seal II Post Indicator/Tapping)
(ooo)	Ningbo Ball Valves (Febco 622F & 622FT, Watts Series 855-QT & Wilkins Series 850-QT)(1/4" - 2" Ball Valve QT)
(ppp)	Clow R/W Model 2639 (GxF) - NRS (2 1/2" - 3")
	Clow R/W Model 2638 (GxF) - NRS (4" - 10")
	(formerly Clow Series F6105-NRS)
(qqq)	Clow R/W Model 2639 (GxF) - OSY (2 1/2" - 3")
	Clow R/W Model 2638 (GxF) - OSY (4" - 10")
	(formerly Clow Series F6138-OSY)
(rrr)	Apollo Series 7B-308-01 (& 7B-308-31)
(sss)	Clow R/W Model 2639 (GxG) - NRS (2 1/2" - 3")
	Clow R/W Model 2638 (GxFG) - NRS (4" - 10")
	(formerly Clow Series F6104-NRS)
(ttt)	Clow R/W Model 2639 (GxG) - OSY (2 1/2" - 3")
	Clow R/W Model 2638 (GxFG) - OSY (4" - 10")
	(formerly Clow Series F6137-OSY)
(uuu)	Apollo Series 7H-QT
(vvv)	Clow R/W Model 2640 (FxF) - OSY Post Indicator/Tapping Valve
	(formerly Clow R/W F6136-OSY Post Indicator/Tapping Valve)
(www)	Clow R/W Model 2639 (GxF) - OSY (2 1/2" - 3") Post Indicator/Tapping Valve
	Clow R/W Model 2640 (GxF) - OSY (4" - 10") Post Indicator/Tapping Valve
	(formerly Clow R/W F6138-OSY Post Indicator/Tapping Valve)
(xxx)	Ningbo Union Ball Valves (Febco 622UF & 622UFT & Wilkins 850U-QT)(1/2" - 2" Ball Valve QT)
(yyy)	Victaulic Series 702 (Butterfly valves)
(zzz)	Kennedy Model KS-RW Figure 7092ABF (FxG) - OSY
	(formerly Kennedy Series 7092ABF-OSY)
(aaaa)	Union Model GV12 (flange by groove)-OSY
(bbbb)	Enbee Model GV12 (flange by groove)-OSY
(cccc)	Kennedy Model KS-RW Figure 7092 (FxG) - OSY
	(formerly Kennedy Series 7092 (GxF) - OSY)
(dddd)	Kennedy Model KS-RW Figure 7592 (FxG) - NRS
	(formerly Kennedy Series 7592ABF - NRS)
(eeee)	Kennedy Model KS-RW Figure 7592PABF (FxG) - NRS Post Indicator/Tapping Valve
	(formerly Kennedy Series 7592PABF-Post Indicator/Tapping Valve)
(ffff)	Watts Model 409 (2-1/2" - 10" OSY-RW FxF)



# Shutoff Valve Designation

(gggg)	Watts Model 409 (2-1/2" - 10" OSY-RW FxG)
(hhhh)	Watts Model LF-FBV & LF-FBV-E (1/4" - 2" Ball Valve QT)
	Ames Model LF-FBV & LF-FBV-E (1/4" - 2" Ball Valve QT)
	Febco Model LF-FBV & LF-FBV-E (1/4" - 2" Ball Valve QT)
(iii)	Wilkins Series 85oXL (85oTXL) - QT
(jjj)	WATTS Model 409 (2" OSY-RW NPTxNPT)
(kkkk)	Kennedy Model KS-RW Figure 7093 (GxG) - OSY
(llll)	Kennedy Model KS-RW Figure 7593 (GxG) - NRS
(mmmm)	Kennedy Model KS-RW Figure 7093ABF (GxG) - OSY
(nnnn)	Kennedy Model KS-RW Figure 7593ABF (GxG) - NRS
(oooo)	Kennedy Model KS-RW Figure 7593PABF (GxG) - NRS Post Indicator
(pppp)	Watts Model L-FBV & L-FBV-E (1/4" - 2" Ball Valve QT)
	Ames Model L-FBV & L-FBV-E (1/4" - 2" Ball Valve QT)
	Febco Model L-FBV & L-FBV-E (1/4" - 2" Ball Valve QT)
(qqqq)	Kennedy Figure G300E - Butterfly Valve (2 1/2"-6")
(rrrr)	Kennedy Figure 02G - Butterfly Valve (8")
(ssss)	Wilkins Model 48-509 (GXF) - NRS (2-1/2" - 12") [Effective 12/06/16. Formerly Model 48]
(tttt)	Wilkins Model 48-509 (FXF) - NRS (2-1/2" - 12") [Effective 12/06/16. Formerly Model 48]
(uuuu)	Wilkins Model 48-509 (GXG) - NRS (2-1/2" - 10") Post Indicator/Tapping Valve [Effective 12/06/16. Formerly Model 48]
(vvvv)	Wilkins Model 48-509 (GXF) - NRS (2-1/2" - 12") Post Indicator/Tapping Valve [Effective 12/06/16. Formerly Model 48]
(wwww)	Wilkins Model 48-509 (FXF) - NRS (2-1/2" - 12") Post Indicator/Tapping Valve [Effective 12/06/16. Formerly Model 48]
(xxxx)	Wilkins Model 48-509 (GXG) - OSY (2-1/2" - 10") [Effective 12/06/16. Formerly Model 48]
(yyyy)	Wilkins Model 48-509 (GXF) - OSY (2-1/2" - 12") [Effective 12/06/16. Formerly Model 48]
(zzzz)	Wilkins Model 48-509 (FXF) - OSY (2-1/2" - 12") [Effective 12/06/16. Formerly Model 48]
(aaaaa)	Wilkins Model 48-509 (GXG) - NRS (2-1/2" - 10") [Effective 12/06/16. Formerly Model 48]
(bbbbb)	Milwaukee BB-SC100 - Butterfly Valve
(ccccc)	Milwaukee BB-SCS02 - Butterfly Valve (with gearbox)
(ddddd)	Flomatic Model NRS
(eeee)	Watts Model FBV-FP & FBV-E-FP (3/4" - 2" Ball Valve w/Gearbox)
	Ames Model LFAFBV-FP & LFAFBV-E-FP (3/4" - 2" Ball Valve w/Gearbox)
(ffff)	Watts Model L-FBV-QT (2-1/2" - 4" Ball Valve NPTxG)
(ggggg)	Wilkins Model 85oMSS
(hhhhh)	Fortune Series 620/623 (c89520 unleaded bronze)
(iiii)	Apollo Series 77B-100 and 77C-100 - QT
(jjjj)	Apollo Series 77BLF-100 and 77CLF-100 - QT
(kkkkk)	Wilkins Model 49 (GXF) - (2 1/2" - 10")
(lllll)	Wilkins Model 49 (GXG) - (2 1/2" - 10")
(mmmmm)	Wilkins 85oUXL (85oTUXL) -QT
(nnnnn)	Watts Model 405 (2 1/2" - 10" NRS-RW FxG)
(ooooo)	ARI HC260 and HC262 Ball Valves - QT
(ppppp)	Febco Model LF622UF & LF622UFT (1/2" - 2" Ball Valve QT)
(qqqqq)	Febco Model LF622F & LF622FT (1/2" - 2" Ball Valve QT)

## Shutoff Valve Designation

(rrrrr)	Watts Model LFFBV-FRG & LFFBV-E-FRG (1/2" - 2" Ball Valve QT)
(sssss)	Apollo Series 91B and 91C-QT (1/2 - 2")
(ttttt)	Apollo Series 91BLF and 91CLF-QT (1/2 - 2")
(uuuuu)	Apollo Model 77B-LFU and 77C-LFU Union Ball Valves - QT (1/2")
(vvvvv)	Apollo Series 91BLF-U and 91CLF-U-QT (3/4"-2")
(wwwww)	Apollo Series 91B-U and 91C-U-QT (3/4"-2")
(xxxxx)	Apollo Model GV (FXG) - NRS (2-1/2" - 12")
(yyyyy)	Apollo Model GV (GXG) - NRS (2-1/2" - 12")
(zzzzz)	Apollo Model GV (FXG) - OSY (2-1/2" - 12")
(aaaaa)	Apollo Model GV (GXG) - OSY (2-1/2" - 12")
(bbbbbb)	Apollo Model GV (FXF) - NRS (2-1/2" - 12")
(ccccc)	Apollo Model GV (FXF) - OSY (2-1/2" - 12")
(dddddd)	Apollo Model 77S-XT (1 1/2"-2" Ball Valve w/Gearbox)
(eeeeee)	Apollo Model 77S-LFXT (1 1/2"-2" Ball Valve w/Gearbox)
(ffffff)	ARI Model PLS-VA Ball Valves -QT (3/4"-2")
(gggggg)	Wilkins Model 48 (GXF) - NRS (2-1/2" - 12")
(hhhhh)	Wilkins Model 48 (FXF) - NRS (2-1/2" - 12")
(iiiiii)	Wilkins Model 48 (GXG) - NRS (2-1/2" - 10") Post Indicator/Tapping Valve
(jjjjj)	Wilkins Model 48 (GXF) - NRS (2-1/2" - 12") Post Indicator/Tapping Valve
(kkkkkk)	Wilkins Model 48 (FXF) - NRS (2-1/2" - 12") Post Indicator/Tapping Valve
(llllll)	Wilkins Model 48 (GXG) - OSY (2-1/2" - 10")
(mmmmm)	Wilkins Model 48 (GXF) - OSY (2-1/2" - 12")
(nnnnn)	Wilkins Model 48 (FXF) - OSY (2-1/2" - 12")
(ooooo)	Wilkins Model 48 (GXG) - NRS (2-1/2" - 10")
(pppppp)	Lansdale Model LPBLFB2 - Butterfly Valve (2")
(qqqqqq)	AVK Series 25-21 (GXF) - NRS
(rrrrrr)	AVK Series 25-11 (GXG) - NRS
(ssssss)	AVK Series 25-26 (GXF) - OSY
(tttttt)	AVK Series 25-16 (GXG) - OSY
(uuuuuu)	Ames Model LFAFBV-FP-GV-T & LFAFBV-E-FP-GV-T (1" - 2" Thread x Groove Ball Valve w/Gearbox)
(vvvvvv)	BEECO Mod GV (GXF) - NRS (2 1/2"-6")
(wwwwww)	BEECO Mod GV (GXF) - OSY (2 1/2"-6")
(xxxxxx)	Apollo Mod BFV (GXG) - (2 1/2"-10") - Butterfly Valves
(yyyyyy)	BEECO Mod BV Series (1/2"-2" Ball Valve QT)

## Detector Assembly Meters

The Detector Assemblies contained herein have been evaluated with a specific meter as the detector element of the assembly. That specific meter is coded by a parenthetic letter shown in the “meters” column. The coding of meters is shown in this Section. Other meters having similar performance characteristics to permit the assembly to meet the Standard are shown immediately after the original evaluation meter. The use of any other meter or modified bypass piping invalidates the Approval.

Some of the detector assemblies use a line-size assembly, which is not a standard stock Approved assembly. Increased loads are required in these line-size units to allow the assembly to accurately record low flow rates in the bypass meter. Therefore, various off-the-shelf components can not be assembled and expected to perform satisfactorily. The bypass backflow preventer Approved with the detector assembly is listed under the bypass column. This is only for verification purposes. Should replacement parts or a complete bypass be needed, the model number of the complete detector assembly should be used in ordering these components.

A	Hersey Model F-F 5/8” x 3/4”
B	Carlson 5/8” x 3/4”
C	Dandé Model D-3 5/8” x 3/4”
D	Gamon-Calmet 5/8”
E	Hays Acumeter 5/8” x 3/4”
F	Arad 5/8” x 3/4” (Master Meter)
G	Schlumberger 5/8” x 3/4” Model MBRF
H	Rockwell (Sensus) SR-II 5/8” x 3/4”
I	Hersey Model 430 - 5/8”
J	Elster AMCO Model C700 5/8”x3/4” (Formerly Kent, ABB)
K	Precision 5/8”
L	Neptune Trident 8 5/8”
M	Neptune T-10 5/8” (Lead free compliant version identified with NSF61 mark on meter)
N	Badger Model 25 3/4”
O	Badger 5/8” x 3/4” Model 25 (Lead free compliant version identified with NSF61 mark on meter)
P	Hersey Model 430 Series II 5/8”
Q	Hersey Model MVR-30 3/4”
R	Neptune T-10 1”
S	Neptune T-10 1 1/2”
T	Zenner Model PMN 5/8” x 3/4”
U	Badger Model 35 3/4” (Lead free compliant version identified with NSF61 mark on meter)

# Special Notices

The USC Foundation publishes Special Notices from time to time. These notices contain information that requires special attention. The Foundation makes Special Notices, in their first year of publication, an exclusive benefit for Foundation members. Members receive all Special Notices via mail immediately upon release. Please visit [fccchr.usc.edu/list](http://fccchr.usc.edu/list) to view the Special Notices archive.

## **Notice 96-001**

This notice lists Ames assemblies which have been reported with low check valve readings. Corrections to the problem are discussed.

## **Notice 97-001**

This notice discusses changes in the retaining cup in the relief valve stem of the 8" and 10" Wilkins 975 reduced pressure principle assemblies.

## **Notice 97-002**

This notice identifies Ames 2000SS, 3000SS, and 4000SS series assemblies that were discovered to have unapproved components.

## **Notice 97-003**

This notice lists assemblies which were NOT Approved by the Foundation, although advertisements may have implied otherwise.

## **Notice 98-001**

This notice advises members of certain action in the Federal Register regarding cross-connection control programs.

## **Notice 98-002**

This notice advises members of Wilkins 950 series and 975 series modifications.

## **Notice 99-001**

This notice lists assemblies which were NOT Approved by the Foundation, although advertisements may have implied otherwise.

## **Notice 99-002**

This notice lists assemblies which were NOT Approved by the Foundation, although advertisements may have implied otherwise.

## **Notice 99-003**

This notice lists assemblies which were NOT Approved by the Foundation, although advertisements may have implied otherwise.

## **Notice 01-001**

This notice discuss silicon parts in certain Febco relief valves.

## **Notice 01-002/Revised Notice 01-002-R1**

This notice discusses some check valves not approved in certain Ames and Watts assemblies.

## **Notice 01-003**

This notice lists assemblies which were NOT Approved by the Foundation, although advertisements may have implied otherwise.

## **Notice 02-001**

This notice explains there are some specific Febco assemblies with unapproved check valve retainers.

## **Notice 03-001**

This notice explains there are improper markings of model designations on some Wilkins assemblies.

## **Notice 03-002**

This notice explains the possibility of the interference of the check valves on some Ames and Watts assemblies.

## **Notice 04-001**

This notice identifies some Febco 825YA assemblies sold with a dimensional variation.

## **Notice 05-001**

This notice identifies some Ames and Watts assemblies sold with unapproved disc material.

## **Notice 06-001**

This notice identifies unapproved guides found in certain Febco assemblies.

## **Notice 06-002**

This notice identifies a change in the design of the Flomatic PVBs.

## **Notice 06-003**

This notice lists assemblies which were NOT Approved by the Foundation, although advertisements may have implied otherwise.

## **Notice 07-001**

This notice discusses out of tolerance springs on Conbraco assemblies.

## **Notice 09-001**

This notice highlights unapproved third party components that are being distributed.

## **Notice 13-001**

This notice discusses modifications to guiding surfaces of the check valves on Wilkins assemblies.

## **Notice 14-001**

This notice lists assemblies which were NOT Approved by the Foundation, although advertisements may have implied otherwise.

## **Notice 14-002**

This notice clarifies the method in which the model designation is indicated on the Wilkins 3/4" 950XLD and 975XLD assemblies.

## **Notice 15-001**

This notice has been prepared to review Special Notice 14-002 and clarify the USC Approval Status of Wilkins Reduced Pressure Principle Detector Assemblies (RPDAs).

## **Notice 19-001**

This notice brings to attention that certain Ames and Watts double check detector assemblies (DCDA) may have been produced with the bypass assembly containing the incorrect model designation.

<b>Type:</b> AVB <b>Size:</b> 3/4 <b>Manual:</b> 8 <b>Approved:</b> 01-Nov-1991	<b>Manufacturer:</b> Ames <b>Orientation:</b> VUH <b>0.25% Pb:</b> No <b>Renewed:</b> 01-Nov-2021	<b>Model:</b> A100 <b>Meters:</b> <b>Spare Parts Only:</b> Yes <b>Bypass:</b>
<b>Type:</b> AVB <b>Size:</b> 1 <b>Manual:</b> 8 <b>Approved:</b> 01-Nov-1991	<b>Manufacturer:</b> Ames <b>Orientation:</b> VUH <b>0.25% Pb:</b> No <b>Renewed:</b> 01-Nov-2021	<b>Model:</b> A100 <b>Meters:</b> <b>Spare Parts Only:</b> Yes <b>Bypass:</b>
<b>Type:</b> AVB <b>Size:</b> 1 1/2 <b>Manual:</b> 8 <b>Approved:</b> 27-Sep-1991	<b>Manufacturer:</b> Ames <b>Orientation:</b> VUH <b>0.25% Pb:</b> No <b>Renewed:</b> 27-Sep-2021	<b>Model:</b> A100 <b>Meters:</b> <b>Spare Parts Only:</b> Yes <b>Bypass:</b>
<b>Type:</b> AVB <b>Size:</b> 2 <b>Manual:</b> 8 <b>Approved:</b> 21-Aug-1991	<b>Manufacturer:</b> Ames <b>Orientation:</b> VUH <b>0.25% Pb:</b> No <b>Renewed:</b> 21-Aug-2021	<b>Model:</b> A100 <b>Meters:</b> <b>Spare Parts Only:</b> Yes <b>Bypass:</b>
<b>Type:</b> AVB <b>Size:</b> 1 1/4 <b>Manual:</b> 8 <b>Approved:</b> 12-Aug-1991	<b>Manufacturer:</b> Watts <b>Orientation:</b> VUH <b>0.25% Pb:</b> No <b>Renewed:</b> 12-Aug-2021	<b>Model:</b> 288AM3 <b>Meters:</b> <b>Spare Parts Only:</b> Yes <b>Bypass:</b>
<b>Type:</b> AVB <b>Size:</b> 1 1/2 <b>Manual:</b> 8 <b>Approved:</b> 27-Sep-1991	<b>Manufacturer:</b> Watts <b>Orientation:</b> VUH <b>0.25% Pb:</b> No <b>Renewed:</b> 27-Sep-2021	<b>Model:</b> 288AM3 <b>Meters:</b> <b>Spare Parts Only:</b> Yes <b>Bypass:</b>
<b>Type:</b> AVB <b>Size:</b> 2 <b>Manual:</b> 8 <b>Approved:</b> 21-Aug-1991	<b>Manufacturer:</b> Watts <b>Orientation:</b> VUH <b>0.25% Pb:</b> No <b>Renewed:</b> 21-Aug-2021	<b>Model:</b> 288AM3 <b>Meters:</b> <b>Spare Parts Only:</b> Yes <b>Bypass:</b>
<b>Type:</b> AVB <b>Size:</b> 2 1/2 <b>Manual:</b> 8 <b>Approved:</b> 10-Sep-1991	<b>Manufacturer:</b> Watts <b>Orientation:</b> VUH <b>0.25% Pb:</b> No <b>Renewed:</b> 10-Sep-2021	<b>Model:</b> 288AM3 <b>Meters:</b> <b>Spare Parts Only:</b> Yes <b>Bypass:</b>

<b>Type:</b> AVB	<b>Manufacturer:</b> Watts	<b>Model:</b> 288AM3
<b>Size:</b> 3	<b>Orientation:</b> VUH	<b>Meters:</b>
<b>Manual:</b> 8	<b>0.25% Pb:</b> No	<b>Spare Parts Only:</b> Yes
<b>Approved:</b> 16-Sep-1991	<b>Renewed:</b> 16-Sep-2021	<b>Bypass:</b>

---

<b>Type:</b> AVB	<b>Manufacturer:</b> Watts	<b>Model:</b> 288AM5
<b>Size:</b> 3/4	<b>Orientation:</b> VUH	<b>Meters:</b>
<b>Manual:</b> 8	<b>0.25% Pb:</b> No	<b>Spare Parts Only:</b> Yes
<b>Approved:</b> 01-Nov-1991	<b>Renewed:</b> 01-Nov-2021	<b>Bypass:</b>

---

<b>Type:</b> AVB	<b>Manufacturer:</b> Watts	<b>Model:</b> 288AM5
<b>Size:</b> 1	<b>Orientation:</b> VUH	<b>Meters:</b>
<b>Manual:</b> 8	<b>0.25% Pb:</b> No	<b>Spare Parts Only:</b> Yes
<b>Approved:</b> 01-Nov-1991	<b>Renewed:</b> 01-Nov-2021	<b>Bypass:</b>

---

<b>Type:</b> DC	<b>Manufacturer:</b> Ames	<b>Model:</b> 2000-DC
<b>Size:</b> 10	<b>Orientation:</b> H	<b>Meters:</b>
<b>Manual:</b> 7	<b>0.25% Pb:</b> No	<b>Spare Parts Only:</b> Yes
<b>Approved:</b> 04-Aug-1987	<b>Renewed:</b> 04-Aug-2020	<b>Bypass:</b>
<b>Shutoffs:</b> tt,ee,ff,gg,hh,ll,mm,oo,pp,uu,ccc,ddd,ffff,gggg		
<b>Notes:</b> formerly Model DC		

---

<b>Type:</b> DC	<b>Manufacturer:</b> Ames	<b>Model:</b> 2000-DCA
<b>Size:</b> 4	<b>Orientation:</b> H	<b>Meters:</b>
<b>Manual:</b> 7	<b>0.25% Pb:</b> No	<b>Spare Parts Only:</b> Yes
<b>Approved:</b> 11-Jan-1988	<b>Renewed:</b> 11-Jan-2021	<b>Bypass:</b>
<b>Shutoffs:</b> tt,ee,ff,gg,hh,ll,mm,oo,pp,uu,ccc,ddd,ffff,gggg		
<b>Notes:</b> formerly Model DCA		

---

<b>Type:</b> DC	<b>Manufacturer:</b> Ames	<b>Model:</b> 2000-DCA
<b>Size:</b> 6	<b>Orientation:</b> H	<b>Meters:</b>
<b>Manual:</b> 7	<b>0.25% Pb:</b> No	<b>Spare Parts Only:</b> Yes
<b>Approved:</b> 11-Jan-1988	<b>Renewed:</b> 11-Jan-2021	<b>Bypass:</b>
<b>Shutoffs:</b> tt,ee,ff,gg,hh,ll,mm,oo,pp,uu,ccc,ddd,ffff,gggg		
<b>Notes:</b> formerly Model DCA		

























<b>Type:</b> DC	<b>Manufacturer:</b> Ames	<b>Model:</b> 2000SS
<b>Size:</b> 12	<b>Orientation:</b> VU	<b>Meters:</b>
<b>Manual:</b> 9	<b>0.25% Pb:</b> Yes	<b>Spare Parts Only:</b> No
<b>Approved:</b> 22-Feb-2011	<b>Renewed:</b> 22-Feb-2020	<b>Bypass:</b>
<b>Shutoffs:</b> (ll),mm,oo		

---

<b>Type:</b> DC	<b>Manufacturer:</b> Ames	<b>Model:</b> 2000SS-M
<b>Size:</b> 4	<b>Orientation:</b> H	<b>Meters:</b>
<b>Manual:</b> 8	<b>0.25% Pb:</b> No	<b>Spare Parts Only:</b> No
<b>Approved:</b> 05-May-1995	<b>Renewed:</b> 05-May-2022	<b>Bypass:</b>
<b>Shutoffs:</b> (tt),ee,ff,gg,hh,ll,mm,oo,pp,uu,ccc,ddd,fff,gggg		

---

<b>Type:</b> DC	<b>Manufacturer:</b> Ames	<b>Model:</b> 2000SS-M
<b>Size:</b> 6	<b>Orientation:</b> H	<b>Meters:</b>
<b>Manual:</b> 8	<b>0.25% Pb:</b> No	<b>Spare Parts Only:</b> No
<b>Approved:</b> 05-May-1995	<b>Renewed:</b> 05-May-2022	<b>Bypass:</b>
<b>Shutoffs:</b> (tt),ee,ff,gg,hh,ll,mm,oo,pp,uu,ccc,ddd,fff,gggg		

---

<b>Type:</b> DC	<b>Manufacturer:</b> Ames	<b>Model:</b> 200B
<b>Size:</b> 1/2	<b>Orientation:</b> H	<b>Meters:</b>
<b>Manual:</b> 9	<b>0.25% Pb:</b> No	<b>Spare Parts Only:</b> Yes
<b>Approved:</b> 21-Apr-2006	<b>Renewed:</b> 21-Apr-2021	<b>Bypass:</b>
<b>Shutoffs:</b> (vv),xx,ooo,hhhh,pppp,rrrr		

---

<b>Type:</b> DC	<b>Manufacturer:</b> Ames	<b>Model:</b> 200B
<b>Size:</b> 1/2	<b>Orientation:</b> VD	<b>Meters:</b>
<b>Manual:</b> 9	<b>0.25% Pb:</b> No	<b>Spare Parts Only:</b> Yes
<b>Approved:</b> 21-Apr-2006	<b>Renewed:</b> 21-Apr-2021	<b>Bypass:</b>
<b>Shutoffs:</b> (vv),xx,ooo,hhhh,pppp,rrrr		

---

<b>Type:</b> DC	<b>Manufacturer:</b> Ames	<b>Model:</b> 200B
<b>Size:</b> 1/2	<b>Orientation:</b> VU	<b>Meters:</b>
<b>Manual:</b> 9	<b>0.25% Pb:</b> No	<b>Spare Parts Only:</b> Yes
<b>Approved:</b> 21-Apr-2006	<b>Renewed:</b> 21-Apr-2021	<b>Bypass:</b>
<b>Shutoffs:</b> (vv),xx,ooo,hhhh,pppp,rrrr		

---

<b>Type:</b> DC	<b>Manufacturer:</b> Ames	<b>Model:</b> 200B
<b>Size:</b> 3/4	<b>Orientation:</b> H	<b>Meters:</b>
<b>Manual:</b> 9	<b>0.25% Pb:</b> No	<b>Spare Parts Only:</b> Yes
<b>Approved:</b> 21-Apr-2006	<b>Renewed:</b> 21-Apr-2021	<b>Bypass:</b>
<b>Shutoffs:</b> (vv),xx,ooo,hhhh,pppp,rrrr		

**Type:** DC                                   **Manufacturer:** Ames                                   **Model:** 200B  
**Size:** 3/4                                   **Orientation:** VD                                   **Meters:**  
**Manual:** 9                                   **0.25% Pb:** No                                   **Spare Parts Only:** Yes  
**Approved:** 21-Apr-2006                                   **Renewed:** 21-Apr-2021                                   **Bypass:**  
**Shutoffs:** (vv),xx,ooo,hhhh,pppp,rrrrr

---

**Type:** DC                                   **Manufacturer:** Ames                                   **Model:** 200B  
**Size:** 3/4                                   **Orientation:** VU                                   **Meters:**  
**Manual:** 9                                   **0.25% Pb:** No                                   **Spare Parts Only:** Yes  
**Approved:** 21-Apr-2006                                   **Renewed:** 21-Apr-2021                                   **Bypass:**  
**Shutoffs:** (vv),xx,ooo,hhhh,pppp,rrrrr

---

**Type:** DC                                   **Manufacturer:** Ames                                   **Model:** 200B  
**Size:** 1                                   **Orientation:** H                                   **Meters:**  
**Manual:** 9                                   **0.25% Pb:** No                                   **Spare Parts Only:** Yes  
**Approved:** 21-Apr-2006                                   **Renewed:** 21-Apr-2021                                   **Bypass:**  
**Shutoffs:** (vv),xx,ooo,hhhh,pppp,rrrrr

---

**Type:** DC                                   **Manufacturer:** Ames                                   **Model:** 200B  
**Size:** 1                                   **Orientation:** VD                                   **Meters:**  
**Manual:** 9                                   **0.25% Pb:** No                                   **Spare Parts Only:** Yes  
**Approved:** 21-Apr-2006                                   **Renewed:** 21-Apr-2021                                   **Bypass:**  
**Shutoffs:** (vv),xx,ooo,hhhh,pppp,rrrrr

---

**Type:** DC                                   **Manufacturer:** Ames                                   **Model:** 200B  
**Size:** 1                                   **Orientation:** VU                                   **Meters:**  
**Manual:** 9                                   **0.25% Pb:** No                                   **Spare Parts Only:** Yes  
**Approved:** 21-Apr-2006                                   **Renewed:** 21-Apr-2021                                   **Bypass:**  
**Shutoffs:** (vv),xx,ooo,hhhh,pppp,rrrrr

---

**Type:** DC                                   **Manufacturer:** Ames                                   **Model:** 200B  
**Size:** 1 1/4                                   **Orientation:** H                                   **Meters:**  
**Manual:** 9                                   **0.25% Pb:** No                                   **Spare Parts Only:** Yes  
**Approved:** 21-Apr-2006                                   **Renewed:** 21-Apr-2021                                   **Bypass:**  
**Shutoffs:** (vv),xx,ooo,hhhh,pppp,rrrrr

---

**Type:** DC                                   **Manufacturer:** Ames                                   **Model:** 200B  
**Size:** 1 1/4                                   **Orientation:** VD                                   **Meters:**  
**Manual:** 9                                   **0.25% Pb:** No                                   **Spare Parts Only:** Yes  
**Approved:** 21-Apr-2006                                   **Renewed:** 21-Apr-2021                                   **Bypass:**  
**Shutoffs:** (vv),xx,ooo,hhhh,pppp,rrrrr

**Type:** DC  
**Size:** 1 1/4  
**Manual:** 9  
**Approved:** 21-Apr-2006  
**Shutoffs:** (vv),xx,ooo,hhhh,pppp,rrrr

**Manufacturer:** Ames  
**Orientation:** VU  
**0.25% Pb:** No  
**Renewed:** 21-Apr-2021

**Model:** 200B  
**Meters:**  
**Spare Parts Only:** Yes  
**Bypass:**

---

**Type:** DC  
**Size:** 1 1/2  
**Manual:** 9  
**Approved:** 21-Apr-2006  
**Shutoffs:** (vv),xx,ooo,hhhh,pppp,rrrr

**Manufacturer:** Ames  
**Orientation:** H  
**0.25% Pb:** No  
**Renewed:** 21-Apr-2021

**Model:** 200B  
**Meters:**  
**Spare Parts Only:** Yes  
**Bypass:**

---

**Type:** DC  
**Size:** 1 1/2  
**Manual:** 9  
**Approved:** 21-Apr-2006  
**Shutoffs:** (vv),xx,ooo,hhhh,pppp,rrrr

**Manufacturer:** Ames  
**Orientation:** VD  
**0.25% Pb:** No  
**Renewed:** 21-Apr-2021

**Model:** 200B  
**Meters:**  
**Spare Parts Only:** Yes  
**Bypass:**

---

**Type:** DC  
**Size:** 1 1/2  
**Manual:** 9  
**Approved:** 21-Apr-2006  
**Shutoffs:** (vv),xx,ooo,hhhh,pppp,rrrr

**Manufacturer:** Ames  
**Orientation:** VU  
**0.25% Pb:** No  
**Renewed:** 21-Apr-2021

**Model:** 200B  
**Meters:**  
**Spare Parts Only:** Yes  
**Bypass:**

---

**Type:** DC  
**Size:** 2  
**Manual:** 9  
**Approved:** 21-Apr-2006  
**Shutoffs:** (vv),xx,ooo,hhhh,pppp,rrrr

**Manufacturer:** Ames  
**Orientation:** H  
**0.25% Pb:** No  
**Renewed:** 21-Apr-2021

**Model:** 200B  
**Meters:**  
**Spare Parts Only:** Yes  
**Bypass:**

---

**Type:** DC  
**Size:** 2  
**Manual:** 9  
**Approved:** 21-Apr-2006  
**Shutoffs:** (vv),xx,ooo,hhhh,pppp,rrrr

**Manufacturer:** Ames  
**Orientation:** VD  
**0.25% Pb:** No  
**Renewed:** 21-Apr-2021

**Model:** 200B  
**Meters:**  
**Spare Parts Only:** Yes  
**Bypass:**

---

**Type:** DC  
**Size:** 2  
**Manual:** 9  
**Approved:** 21-Apr-2006  
**Shutoffs:** (vv),xx,ooo,hhhh,pppp,rrrr

**Manufacturer:** Ames  
**Orientation:** VU  
**0.25% Pb:** No  
**Renewed:** 21-Apr-2021

**Model:** 200B  
**Meters:**  
**Spare Parts Only:** Yes  
**Bypass:**

**Type:** DC  
**Size:** 1/2  
**Manual:** 9  
**Approved:** 21-Apr-2006  
**Shutoffs:** (vv),xx,ooo,hhhh,pppp,rrrr

**Manufacturer:** Ames  
**Orientation:** H  
**0.25% Pb:** No  
**Renewed:** 21-Apr-2021

**Model:** 200B R10  
**Meters:**  
**Spare Parts Only:** Yes  
**Bypass:**

---

**Type:** DC  
**Size:** 1/2  
**Manual:** 9  
**Approved:** 21-Apr-2006  
**Shutoffs:** (vv),xx,ooo,hhhh,pppp,rrrr

**Manufacturer:** Ames  
**Orientation:** VD  
**0.25% Pb:** No  
**Renewed:** 21-Apr-2021

**Model:** 200B R10  
**Meters:**  
**Spare Parts Only:** Yes  
**Bypass:**

---

**Type:** DC  
**Size:** 1/2  
**Manual:** 9  
**Approved:** 21-Apr-2006  
**Shutoffs:** (vv),xx,ooo,hhhh,pppp,rrrr

**Manufacturer:** Ames  
**Orientation:** VU  
**0.25% Pb:** No  
**Renewed:** 21-Apr-2021

**Model:** 200B R10  
**Meters:**  
**Spare Parts Only:** Yes  
**Bypass:**

---

**Type:** DC  
**Size:** 3/4  
**Manual:** 9  
**Approved:** 21-Apr-2006  
**Shutoffs:** (vv),xx,ooo,hhhh,pppp,rrrr

**Manufacturer:** Ames  
**Orientation:** H  
**0.25% Pb:** No  
**Renewed:** 21-Apr-2021

**Model:** 200B R10  
**Meters:**  
**Spare Parts Only:** Yes  
**Bypass:**

---

**Type:** DC  
**Size:** 3/4  
**Manual:** 9  
**Approved:** 21-Apr-2006  
**Shutoffs:** (vv),xx,ooo,hhhh,pppp,rrrr

**Manufacturer:** Ames  
**Orientation:** VD  
**0.25% Pb:** No  
**Renewed:** 21-Apr-2021

**Model:** 200B R10  
**Meters:**  
**Spare Parts Only:** Yes  
**Bypass:**

---

**Type:** DC  
**Size:** 3/4  
**Manual:** 9  
**Approved:** 21-Apr-2006  
**Shutoffs:** (vv),xx,ooo,hhhh,pppp,rrrr

**Manufacturer:** Ames  
**Orientation:** VU  
**0.25% Pb:** No  
**Renewed:** 21-Apr-2021

**Model:** 200B R10  
**Meters:**  
**Spare Parts Only:** Yes  
**Bypass:**

---

**Type:** DC  
**Size:** 1/2  
**Manual:** 9  
**Approved:** 21-Apr-2006  
**Shutoffs:** (vv),xx,ooo,hhhh,pppp,rrrr

**Manufacturer:** Ames  
**Orientation:** VUVD  
**0.25% Pb:** No  
**Renewed:** 21-Apr-2021

**Model:** 200B-A  
**Meters:**  
**Spare Parts Only:** Yes  
**Bypass:**

**Type:** DC  
**Size:** 1  
**Manual:** 9  
**Approved:** 21-Apr-2006  
**Shutoffs:** (vv),xx,ooo,hhhh,pppp,rrrr

**Manufacturer:** Ames  
**Orientation:** VUVD  
**0.25% Pb:** No  
**Renewed:** 21-Apr-2021

**Model:** 200B-A  
**Meters:**  
**Spare Parts Only:** Yes  
**Bypass:**

---

**Type:** DC  
**Size:** 1 1/4  
**Manual:** 9  
**Approved:** 21-Apr-2006  
**Shutoffs:** (vv),xx,ooo,hhhh,pppp,rrrr

**Manufacturer:** Ames  
**Orientation:** VUVD  
**0.25% Pb:** No  
**Renewed:** 21-Apr-2021

**Model:** 200B-A  
**Meters:**  
**Spare Parts Only:** Yes  
**Bypass:**

---

**Type:** DC  
**Size:** 1 1/2  
**Manual:** 9  
**Approved:** 21-Apr-2006  
**Shutoffs:** (vv),xx,ooo,hhhh,pppp,rrrr

**Manufacturer:** Ames  
**Orientation:** VUVD  
**0.25% Pb:** No  
**Renewed:** 21-Apr-2021

**Model:** 200B-A  
**Meters:**  
**Spare Parts Only:** Yes  
**Bypass:**

---

**Type:** DC  
**Size:** 2  
**Manual:** 9  
**Approved:** 21-Apr-2006  
**Shutoffs:** (vv),xx,ooo,hhhh,pppp,rrrr

**Manufacturer:** Ames  
**Orientation:** VUVD  
**0.25% Pb:** No  
**Renewed:** 21-Apr-2021

**Model:** 200B-A  
**Meters:**  
**Spare Parts Only:** Yes  
**Bypass:**

---

**Type:** DC  
**Size:** 1/2  
**Manual:** 9  
**Approved:** 03-Jul-2013  
**Shutoffs:** (vv),xx,ooo,hhhh,pppp,rrrr

**Manufacturer:** Ames  
**Orientation:** VUVD  
**0.25% Pb:** No  
**Renewed:** 03-Jul-2022

**Model:** 200B-AR10  
**Meters:**  
**Spare Parts Only:** Yes  
**Bypass:**

---

**Type:** DC  
**Size:** 3/4  
**Manual:** 9  
**Approved:** 03-Jul-2013  
**Shutoffs:** (vv),xx,ooo,hhhh,pppp,rrrr

**Manufacturer:** Ames  
**Orientation:** VUVD  
**0.25% Pb:** No  
**Renewed:** 03-Jul-2022

**Model:** 200B-AR10  
**Meters:**  
**Spare Parts Only:** Yes  
**Bypass:**

---

**Type:** DC  
**Size:** 2 1/2  
**Manual:** 9  
**Approved:** 20-Jul-2004  
**Shutoffs:** (ppp),qqq,nnnnn

**Manufacturer:** Ames  
**Orientation:** H  
**0.25% Pb:** No  
**Renewed:** 20-Jul-2022

**Model:** Colt 200  
**Meters:**  
**Spare Parts Only:** No  
**Bypass:**

**Type:** DC                                      **Manufacturer:** Ames                                      **Model:** Colt 200  
**Size:** 2 1/2                                      **Orientation:** H                                      **Meters:**  
**Manual:** 9                                      **0.25% Pb:** Yes                                      **Spare Parts Only:** No  
**Approved:** 20-Jul-2004                                      **Renewed:** 20-Jul-2022                                      **Bypass:**  
**Shutoffs:** yyy,zzz,dddd,eeee,dddd,gggg,kkkk,llll,mmmm,nnnn

---

**Type:** DC                                      **Manufacturer:** Ames                                      **Model:** Colt 200  
**Size:** 2 1/2                                      **Orientation:** VU                                      **Meters:**  
**Manual:** 9                                      **0.25% Pb:** No                                      **Spare Parts Only:** No  
**Approved:** 20-Jul-2004                                      **Renewed:** 20-Jul-2022                                      **Bypass:**  
**Shutoffs:** (ppp),qqq,nnnnn

---

**Type:** DC                                      **Manufacturer:** Ames                                      **Model:** Colt 200  
**Size:** 2 1/2                                      **Orientation:** VU                                      **Meters:**  
**Manual:** 9                                      **0.25% Pb:** Yes                                      **Spare Parts Only:** No  
**Approved:** 20-Jul-2004                                      **Renewed:** 20-Jul-2022                                      **Bypass:**  
**Shutoffs:** yyy,zzz,dddd,eeee,dddd,gggg,kkkk,llll,mmmm,nnnn

---

**Type:** DC                                      **Manufacturer:** Ames                                      **Model:** Colt 200  
**Size:** 3                                      **Orientation:** H                                      **Meters:**  
**Manual:** 9                                      **0.25% Pb:** No                                      **Spare Parts Only:** No  
**Approved:** 20-Jul-2004                                      **Renewed:** 20-Jul-2022                                      **Bypass:**  
**Shutoffs:** (ppp),qqq,nnnnn

---

**Type:** DC                                      **Manufacturer:** Ames                                      **Model:** Colt 200  
**Size:** 3                                      **Orientation:** H                                      **Meters:**  
**Manual:** 9                                      **0.25% Pb:** Yes                                      **Spare Parts Only:** No  
**Approved:** 20-Jul-2004                                      **Renewed:** 20-Jul-2022                                      **Bypass:**  
**Shutoffs:** yyy,zzz,dddd,eeee,dddd,gggg,kkkk,llll,mmmm,nnnn

---

**Type:** DC                                      **Manufacturer:** Ames                                      **Model:** Colt 200  
**Size:** 3                                      **Orientation:** VU                                      **Meters:**  
**Manual:** 9                                      **0.25% Pb:** No                                      **Spare Parts Only:** No  
**Approved:** 20-Jul-2004                                      **Renewed:** 20-Jul-2022                                      **Bypass:**  
**Shutoffs:** (ppp),qqq,nnnnn

---

**Type:** DC                                      **Manufacturer:** Ames                                      **Model:** Colt 200  
**Size:** 3                                      **Orientation:** VU                                      **Meters:**  
**Manual:** 9                                      **0.25% Pb:** Yes                                      **Spare Parts Only:** No  
**Approved:** 20-Jul-2004                                      **Renewed:** 20-Jul-2022                                      **Bypass:**  
**Shutoffs:** yyy,zzz,dddd,eeee,dddd,gggg,kkkk,llll,mmmm,nnnn

**Type:** DC                                      **Manufacturer:** Ames                                      **Model:** Colt 200  
**Size:** 4    **Orientation:** H    **Meters:**  
**Manual:** 9    **0.25% Pb:** No    **Spare Parts Only:** No  
**Approved:** 20-Jul-2004                                      **Renewed:** 20-Jul-2022                                      **Bypass:**  
**Shutoffs:** (ppp),qqq,nnnnn

---

**Type:** DC                                      **Manufacturer:** Ames                                      **Model:** Colt 200  
**Size:** 4    **Orientation:** H    **Meters:**  
**Manual:** 9    **0.25% Pb:** Yes    **Spare Parts Only:** No  
**Approved:** 20-Jul-2004                                      **Renewed:** 20-Jul-2022                                      **Bypass:**  
**Shutoffs:** yyy,zzz,dddd,eeee,dddd,gggg,kkkk,llll,mmmm,nnnn

---

**Type:** DC                                      **Manufacturer:** Ames                                      **Model:** Colt 200  
**Size:** 4    **Orientation:** VU    **Meters:**  
**Manual:** 9    **0.25% Pb:** No    **Spare Parts Only:** No  
**Approved:** 20-Jul-2004                                      **Renewed:** 20-Jul-2022                                      **Bypass:**  
**Shutoffs:** (ppp),qqq,nnnnn

---

**Type:** DC                                      **Manufacturer:** Ames                                      **Model:** Colt 200  
**Size:** 4    **Orientation:** VU    **Meters:**  
**Manual:** 9    **0.25% Pb:** Yes    **Spare Parts Only:** No  
**Approved:** 20-Jul-2004                                      **Renewed:** 20-Jul-2022                                      **Bypass:**  
**Shutoffs:** yyy,zzz,dddd,eeee,dddd,gggg,kkkk,llll,mmmm,nnnn

---

**Type:** DC                                      **Manufacturer:** Ames                                      **Model:** Colt 200  
**Size:** 6    **Orientation:** H    **Meters:**  
**Manual:** 9    **0.25% Pb:** No    **Spare Parts Only:** No  
**Approved:** 21-Apr-2006                                      **Renewed:** 21-Apr-2021                                      **Bypass:**  
**Shutoffs:** (ppp),qqq,aaaa,bbbb,nnnnn

---

**Type:** DC                                      **Manufacturer:** Ames                                      **Model:** Colt 200  
**Size:** 6    **Orientation:** H    **Meters:**  
**Manual:** 9    **0.25% Pb:** Yes    **Spare Parts Only:** No  
**Approved:** 21-Apr-2006                                      **Renewed:** 21-Apr-2021                                      **Bypass:**  
**Shutoffs:** yyy,zzz,dddd,eeee,ffff,gggg,kkkk,llll,mmmm,nnnn

---

**Type:** DC                                      **Manufacturer:** Ames                                      **Model:** Colt 200  
**Size:** 6    **Orientation:** VU    **Meters:**  
**Manual:** 9    **0.25% Pb:** No    **Spare Parts Only:** No  
**Approved:** 21-Apr-2006                                      **Renewed:** 21-Apr-2021                                      **Bypass:**  
**Shutoffs:** (ppp),qqq,aaaa,bbbb,nnnnn

**Type:** DC  
**Size:** 6  
**Manual:** 9  
**Approved:** 21-Apr-2006  
**Shutoffs:** yyy,zzz,dddd,eeee,ffff,gggg,kkkk,llll,mmmm,nnnn

**Manufacturer:** Ames  
**Orientation:** VU  
**0.25% Pb:** Yes  
**Renewed:** 21-Apr-2021

**Model:** Colt 200  
**Meters:**  
**Spare Parts Only:** No  
**Bypass:**

---

**Type:** DC  
**Size:** 8  
**Manual:** 9  
**Approved:** 11-Aug-2004  
**Shutoffs:** ppp,qqq,aaaa,bbbb,nnnn

**Manufacturer:** Ames  
**Orientation:** H  
**0.25% Pb:** No  
**Renewed:** 11-Aug-2022

**Model:** Colt 200  
**Meters:**  
**Spare Parts Only:** No  
**Bypass:**

---

**Type:** DC  
**Size:** 8  
**Manual:** 9  
**Approved:** 11-Aug-2004  
**Shutoffs:** (yyy),zzz,dddd,eeee,gggg,kkkk,llll,mmmm,nnnn

**Manufacturer:** Ames  
**Orientation:** H  
**0.25% Pb:** Yes  
**Renewed:** 11-Aug-2022

**Model:** Colt 200  
**Meters:**  
**Spare Parts Only:** No  
**Bypass:**

---

**Type:** DC  
**Size:** 8  
**Manual:** 9  
**Approved:** 10-Feb-2006  
**Shutoffs:** ppp,qqq,aaaa,bbbb,nnnn

**Manufacturer:** Ames  
**Orientation:** VU  
**0.25% Pb:** No  
**Renewed:** 10-Feb-2021

**Model:** Colt 200  
**Meters:**  
**Spare Parts Only:** No  
**Bypass:**

---

**Type:** DC  
**Size:** 8  
**Manual:** 9  
**Approved:** 10-Feb-2006  
**Shutoffs:** (yyy),zzz,dddd,eeee,gggg,kkkk,llll,mmmm,nnnn

**Manufacturer:** Ames  
**Orientation:** VU  
**0.25% Pb:** Yes  
**Renewed:** 10-Feb-2021

**Model:** Colt 200  
**Meters:**  
**Spare Parts Only:** No  
**Bypass:**

---

**Type:** DC  
**Size:** 10  
**Manual:** 9  
**Approved:** 02-May-2008  
**Shutoffs:** ppp,qqq,aaaa,bbbb

**Manufacturer:** Ames  
**Orientation:** H  
**0.25% Pb:** No  
**Renewed:** 02-May-2020

**Model:** Colt 200  
**Meters:**  
**Spare Parts Only:** No  
**Bypass:**

---

**Type:** DC  
**Size:** 10  
**Manual:** 9  
**Approved:** 02-May-2008  
**Shutoffs:** yyy,zzz,dddd,eeee,ggg,kkkk,llll,mmmm,nnnn

**Manufacturer:** Ames  
**Orientation:** H  
**0.25% Pb:** Yes  
**Renewed:** 02-May-2020

**Model:** Colt 200  
**Meters:**  
**Spare Parts Only:** No  
**Bypass:**

















**Type:** DC  
**Size:** 3  
**Manual:** 10  
**Approved:** 26-Mar-2020  
**Shutoffs:** (ssssss), ttttt

**Manufacturer:** Ames  
**Orientation:** H  
**0.25% Pb:** Yes  
**Renewed:**

**Model:** Deringer 20G  
**Meters:**  
**Spare Parts Only:** No  
**Bypass:**

---

**Type:** DC  
**Size:** 3  
**Manual:** 10  
**Approved:** 26-Mar-2020  
**Shutoffs:** (ssssss), ttttt

**Manufacturer:** Ames  
**Orientation:** VU  
**0.25% Pb:** Yes  
**Renewed:**

**Model:** Deringer 20G  
**Meters:**  
**Spare Parts Only:** No  
**Bypass:**

---

**Type:** DC  
**Size:** 4  
**Manual:** 10  
**Approved:** 26-Mar-2020  
**Shutoffs:** (ssssss), ttttt

**Manufacturer:** Ames  
**Orientation:** H  
**0.25% Pb:** Yes  
**Renewed:**

**Model:** Deringer 20G  
**Meters:**  
**Spare Parts Only:** No  
**Bypass:**

---

**Type:** DC  
**Size:** 4  
**Manual:** 10  
**Approved:** 26-Mar-2020  
**Shutoffs:** (ssssss), ttttt

**Manufacturer:** Ames  
**Orientation:** VU  
**0.25% Pb:** Yes  
**Renewed:**

**Model:** Deringer 20G  
**Meters:**  
**Spare Parts Only:** No  
**Bypass:**

---

**Type:** DC  
**Size:** 6  
**Manual:** 10  
**Approved:** 26-Mar-2020  
**Shutoffs:** (ssssss), ttttt

**Manufacturer:** Ames  
**Orientation:** H  
**0.25% Pb:** Yes  
**Renewed:**

**Model:** Deringer 20G  
**Meters:**  
**Spare Parts Only:** No  
**Bypass:**

---

**Type:** DC  
**Size:** 6  
**Manual:** 10  
**Approved:** 26-Mar-2020  
**Shutoffs:** (ssssss), ttttt

**Manufacturer:** Ames  
**Orientation:** VU  
**0.25% Pb:** Yes  
**Renewed:**

**Model:** Deringer 20G  
**Meters:**  
**Spare Parts Only:** No  
**Bypass:**

---

**Type:** DC  
**Size:** 8  
**Manual:** 10  
**Approved:** 26-Mar-2020  
**Shutoffs:** (ssssss), ttttt

**Manufacturer:** Ames  
**Orientation:** H  
**0.25% Pb:** Yes  
**Renewed:**

**Model:** Deringer 20G  
**Meters:**  
**Spare Parts Only:** No  
**Bypass:**



**Type:** DC  
**Size:** 8  
**Manual:** 10  
**Approved:** 26-Mar-2020  
**Shutoffs:** (ssssss), tttttt

**Manufacturer:** Ames  
**Orientation:** VU  
**0.25% Pb:** Yes  
**Renewed:**

**Model:** Deringer 20G  
**Meters:**  
**Spare Parts Only:** No  
**Bypass:**

---

**Type:** DC  
**Size:** 4  
**Manual:** 10  
**Approved:** 26-Mar-2020  
**Shutoffs:** (ssssss), tttttt

**Manufacturer:** Ames  
**Orientation:** H  
**0.25% Pb:** Yes  
**Renewed:**

**Model:** Deringer 20GX  
**Meters:**  
**Spare Parts Only:** No  
**Bypass:**

---

**Type:** DC  
**Size:** 4  
**Manual:** 10  
**Approved:** 26-Mar-2020  
**Shutoffs:** (ssssss), tttttt

**Manufacturer:** Ames  
**Orientation:** VU  
**0.25% Pb:** Yes  
**Renewed:**

**Model:** Deringer 20GX  
**Meters:**  
**Spare Parts Only:** No  
**Bypass:**

---

**Type:** DC  
**Size:** 6  
**Manual:** 10  
**Approved:** 26-Mar-2020  
**Shutoffs:** (ssssss), tttttt

**Manufacturer:** Ames  
**Orientation:** H  
**0.25% Pb:** Yes  
**Renewed:**

**Model:** Deringer 20GX  
**Meters:**  
**Spare Parts Only:** No  
**Bypass:**

---

**Type:** DC  
**Size:** 6  
**Manual:** 10  
**Approved:** 26-Mar-2020  
**Shutoffs:** (ssssss), tttttt

**Manufacturer:** Ames  
**Orientation:** VU  
**0.25% Pb:** Yes  
**Renewed:**

**Model:** Deringer 20GX  
**Meters:**  
**Spare Parts Only:** No  
**Bypass:**

---

**Type:** DC  
**Size:** 4  
**Manual:** 10  
**Approved:** 26-Mar-2020  
**Shutoffs:** (int)

**Manufacturer:** Ames  
**Orientation:** H  
**0.25% Pb:** Yes  
**Renewed:**

**Model:** Deringer 20X  
**Meters:**  
**Spare Parts Only:** No  
**Bypass:**

---

**Type:** DC  
**Size:** 4  
**Manual:** 10  
**Approved:** 26-Mar-2020  
**Shutoffs:** (int)

**Manufacturer:** Ames  
**Orientation:** VU  
**0.25% Pb:** Yes  
**Renewed:**

**Model:** Deringer 20X  
**Meters:**  
**Spare Parts Only:** No  
**Bypass:**

<b>Type:</b> DC	<b>Manufacturer:</b> Ames	<b>Model:</b> Deringer 20X
<b>Size:</b> 6	<b>Orientation:</b> H	<b>Meters:</b>
<b>Manual:</b> 10	<b>0.25% Pb:</b> Yes	<b>Spare Parts Only:</b> No
<b>Approved:</b> 26-Mar-2020	<b>Renewed:</b>	<b>Bypass:</b>
<b>Shutoffs:</b> (int)		

---

<b>Type:</b> DC	<b>Manufacturer:</b> Ames	<b>Model:</b> Deringer 20X
<b>Size:</b> 6	<b>Orientation:</b> VU	<b>Meters:</b>
<b>Manual:</b> 10	<b>0.25% Pb:</b> Yes	<b>Spare Parts Only:</b> No
<b>Approved:</b> 26-Mar-2020	<b>Renewed:</b>	<b>Bypass:</b>
<b>Shutoffs:</b> (int)		

---

<b>Type:</b> DC	<b>Manufacturer:</b> Ames	<b>Model:</b> LF2000B
<b>Size:</b> 1/2	<b>Orientation:</b> H	<b>Meters:</b>
<b>Manual:</b> 9	<b>0.25% Pb:</b> Yes	<b>Spare Parts Only:</b> No
<b>Approved:</b> 25-Sep-2013	<b>Renewed:</b> 25-Sep-2019	<b>Bypass:</b>
<b>Shutoffs:</b> (hhhh)		

---

<b>Type:</b> DC	<b>Manufacturer:</b> Ames	<b>Model:</b> LF2000B
<b>Size:</b> 1/2	<b>Orientation:</b> VU	<b>Meters:</b>
<b>Manual:</b> 9	<b>0.25% Pb:</b> Yes	<b>Spare Parts Only:</b> No
<b>Approved:</b> 25-Sep-2013	<b>Renewed:</b> 25-Sep-2019	<b>Bypass:</b>
<b>Shutoffs:</b> (hhhh)		

---

<b>Type:</b> DC	<b>Manufacturer:</b> Ames	<b>Model:</b> LF2000BM1
<b>Size:</b> 1	<b>Orientation:</b> H	<b>Meters:</b>
<b>Manual:</b> 9	<b>0.25% Pb:</b> Yes	<b>Spare Parts Only:</b> No
<b>Approved:</b> 25-Sep-2013	<b>Renewed:</b> 25-Sep-2019	<b>Bypass:</b>
<b>Shutoffs:</b> (hhhh)		

---

<b>Type:</b> DC	<b>Manufacturer:</b> Ames	<b>Model:</b> LF2000BM1
<b>Size:</b> 1	<b>Orientation:</b> VU	<b>Meters:</b>
<b>Manual:</b> 9	<b>0.25% Pb:</b> Yes	<b>Spare Parts Only:</b> No
<b>Approved:</b> 25-Sep-2013	<b>Renewed:</b> 25-Sep-2019	<b>Bypass:</b>
<b>Shutoffs:</b> (hhhh)		

---

<b>Type:</b> DC	<b>Manufacturer:</b> Ames	<b>Model:</b> LF2000BM1
<b>Size:</b> 2	<b>Orientation:</b> H	<b>Meters:</b>
<b>Manual:</b> 9	<b>0.25% Pb:</b> Yes	<b>Spare Parts Only:</b> No
<b>Approved:</b> 25-Sep-2013	<b>Renewed:</b> 25-Sep-2019	<b>Bypass:</b>
<b>Shutoffs:</b> (hhhh)		

<b>Type:</b> DC	<b>Manufacturer:</b> Ames	<b>Model:</b> LF2000BM1
<b>Size:</b> 2	<b>Orientation:</b> VU	<b>Meters:</b>
<b>Manual:</b> 9	<b>0.25% Pb:</b> Yes	<b>Spare Parts Only:</b> No
<b>Approved:</b> 25-Sep-2013	<b>Renewed:</b> 25-Sep-2019	<b>Bypass:</b>
<b>Shutoffs:</b> (hhhh)		

---

<b>Type:</b> DC	<b>Manufacturer:</b> Ames	<b>Model:</b> LF2000BM1-FP
<b>Size:</b> 1	<b>Orientation:</b> H	<b>Meters:</b>
<b>Manual:</b> 9	<b>0.25% Pb:</b> Yes	<b>Spare Parts Only:</b> No
<b>Approved:</b> 12-Mar-2019	<b>Renewed:</b> 12-Mar-2022	<b>Bypass:</b>
<b>Shutoffs:</b> (eeee),uuuuuu		

---

<b>Type:</b> DC	<b>Manufacturer:</b> Ames	<b>Model:</b> LF2000BM1-FP
<b>Size:</b> 1	<b>Orientation:</b> VU	<b>Meters:</b>
<b>Manual:</b> 9	<b>0.25% Pb:</b> Yes	<b>Spare Parts Only:</b> No
<b>Approved:</b> 12-Mar-2019	<b>Renewed:</b> 12-Mar-2022	<b>Bypass:</b>
<b>Shutoffs:</b> (eeee),uuuuuu		

---

<b>Type:</b> DC	<b>Manufacturer:</b> Ames	<b>Model:</b> LF2000BM1-FP
<b>Size:</b> 2	<b>Orientation:</b> H	<b>Meters:</b>
<b>Manual:</b> 9	<b>0.25% Pb:</b> Yes	<b>Spare Parts Only:</b> No
<b>Approved:</b> 12-Mar-2019	<b>Renewed:</b> 12-Mar-2022	<b>Bypass:</b>
<b>Shutoffs:</b> (eeee),uuuuuu		

---

<b>Type:</b> DC	<b>Manufacturer:</b> Ames	<b>Model:</b> LF2000BM1-FP
<b>Size:</b> 2	<b>Orientation:</b> VU	<b>Meters:</b>
<b>Manual:</b> 9	<b>0.25% Pb:</b> Yes	<b>Spare Parts Only:</b> No
<b>Approved:</b> 12-Mar-2019	<b>Renewed:</b> 12-Mar-2022	<b>Bypass:</b>
<b>Shutoffs:</b> (eeee),uuuuuu		

---

<b>Type:</b> DC	<b>Manufacturer:</b> Ames	<b>Model:</b> LF2000BM2
<b>Size:</b> 1 1/4	<b>Orientation:</b> H	<b>Meters:</b>
<b>Manual:</b> 8	<b>0.25% Pb:</b> Yes	<b>Spare Parts Only:</b> No
<b>Approved:</b> 25-Sep-2013	<b>Renewed:</b> 25-Sep-2019	<b>Bypass:</b>
<b>Shutoffs:</b> (hhhh)		

---

<b>Type:</b> DC	<b>Manufacturer:</b> Ames	<b>Model:</b> LF2000BM2
<b>Size:</b> 1 1/4	<b>Orientation:</b> VU	<b>Meters:</b>
<b>Manual:</b> 8	<b>0.25% Pb:</b> Yes	<b>Spare Parts Only:</b> No
<b>Approved:</b> 25-Sep-2013	<b>Renewed:</b> 25-Sep-2019	<b>Bypass:</b>
<b>Shutoffs:</b> (hhhh)		

**Type:** DC  
**Size:** 1 1/2  
**Manual:** 8  
**Approved:** 25-Sep-2013  
**Shutoffs:** (hhhh)

**Manufacturer:** Ames  
**Orientation:** H  
**0.25% Pb:** Yes  
**Renewed:** 25-Sep-2019

**Model:** LF2000BM2  
**Meters:**  
**Spare Parts Only:** No  
**Bypass:**

---

**Type:** DC  
**Size:** 1 1/2  
**Manual:** 8  
**Approved:** 25-Sep-2013  
**Shutoffs:** (hhhh)

**Manufacturer:** Ames  
**Orientation:** VU  
**0.25% Pb:** Yes  
**Renewed:** 25-Sep-2019

**Model:** LF2000BM2  
**Meters:**  
**Spare Parts Only:** No  
**Bypass:**

---

**Type:** DC  
**Size:** 1 1/4  
**Manual:** 9  
**Approved:** 12-Mar-2019  
**Shutoffs:** (eeee),uuuuu

**Manufacturer:** Ames  
**Orientation:** H  
**0.25% Pb:** Yes  
**Renewed:** 12-Mar-2022

**Model:** LF2000BM2-FP  
**Meters:**  
**Spare Parts Only:** No  
**Bypass:**

---

**Type:** DC  
**Size:** 1 1/4  
**Manual:** 9  
**Approved:** 12-Mar-2019  
**Shutoffs:** (eeee),uuuuu

**Manufacturer:** Ames  
**Orientation:** VU  
**0.25% Pb:** Yes  
**Renewed:** 12-Mar-2022

**Model:** LF2000BM2-FP  
**Meters:**  
**Spare Parts Only:** No  
**Bypass:**

---

**Type:** DC  
**Size:** 1 1/2  
**Manual:** 9  
**Approved:** 12-Mar-2019  
**Shutoffs:** (eeee),uuuuu

**Manufacturer:** Ames  
**Orientation:** H  
**0.25% Pb:** Yes  
**Renewed:** 12-Mar-2022

**Model:** LF2000BM2-FP  
**Meters:**  
**Spare Parts Only:** No  
**Bypass:**

---

**Type:** DC  
**Size:** 1 1/2  
**Manual:** 9  
**Approved:** 12-Mar-2019  
**Shutoffs:** (eeee),uuuuu

**Manufacturer:** Ames  
**Orientation:** VU  
**0.25% Pb:** Yes  
**Renewed:** 12-Mar-2022

**Model:** LF2000BM2-FP  
**Meters:**  
**Spare Parts Only:** No  
**Bypass:**

---

**Type:** DC  
**Size:** 3/4  
**Manual:** 9  
**Approved:** 25-Sep-2013  
**Shutoffs:** (hhhh)

**Manufacturer:** Ames  
**Orientation:** H  
**0.25% Pb:** Yes  
**Renewed:** 25-Sep-2019

**Model:** LF2000BM3  
**Meters:**  
**Spare Parts Only:** No  
**Bypass:**

**Type:** DC  
**Size:** 3/4  
**Manual:** 9  
**Approved:** 25-Sep-2013  
**Shutoffs:** (hhhh)

**Manufacturer:** Ames  
**Orientation:** VU  
**0.25% Pb:** Yes  
**Renewed:** 25-Sep-2019

**Model:** LF2000BM3  
**Meters:**  
**Spare Parts Only:** No  
**Bypass:**

---

**Type:** DC  
**Size:** 1/2  
**Manual:** 9  
**Approved:** 03-Jul-2013  
**Shutoffs:** (hhhh)

**Manufacturer:** Ames  
**Orientation:** H  
**0.25% Pb:** Yes  
**Renewed:** 03-Jul-2022

**Model:** LF200B  
**Meters:**  
**Spare Parts Only:** Yes  
**Bypass:**

---

**Type:** DC  
**Size:** 1/2  
**Manual:** 9  
**Approved:** 03-Jul-2013  
**Shutoffs:** (hhhh)

**Manufacturer:** Ames  
**Orientation:** VD  
**0.25% Pb:** Yes  
**Renewed:** 03-Jul-2022

**Model:** LF200B  
**Meters:**  
**Spare Parts Only:** Yes  
**Bypass:**

---

**Type:** DC  
**Size:** 1/2  
**Manual:** 9  
**Approved:** 03-Jul-2013  
**Shutoffs:** (hhhh)

**Manufacturer:** Ames  
**Orientation:** VU  
**0.25% Pb:** Yes  
**Renewed:** 03-Jul-2022

**Model:** LF200B  
**Meters:**  
**Spare Parts Only:** Yes  
**Bypass:**

---

**Type:** DC  
**Size:** 3/4  
**Manual:** 9  
**Approved:** 03-Jul-2013  
**Shutoffs:** (hhhh)

**Manufacturer:** Ames  
**Orientation:** H  
**0.25% Pb:** Yes  
**Renewed:** 03-Jul-2022

**Model:** LF200B  
**Meters:**  
**Spare Parts Only:** Yes  
**Bypass:**

---

**Type:** DC  
**Size:** 3/4  
**Manual:** 9  
**Approved:** 03-Jul-2013  
**Shutoffs:** (hhhh)

**Manufacturer:** Ames  
**Orientation:** VD  
**0.25% Pb:** Yes  
**Renewed:** 03-Jul-2022

**Model:** LF200B  
**Meters:**  
**Spare Parts Only:** Yes  
**Bypass:**

---

**Type:** DC  
**Size:** 3/4  
**Manual:** 9  
**Approved:** 03-Jul-2013  
**Shutoffs:** (hhhh)

**Manufacturer:** Ames  
**Orientation:** VU  
**0.25% Pb:** Yes  
**Renewed:** 03-Jul-2022

**Model:** LF200B  
**Meters:**  
**Spare Parts Only:** Yes  
**Bypass:**

**Type:** DC  
**Size:** 1  
**Manual:** 9  
**Approved:** 14-Jun-2006  
**Shutoffs:** (vv),xx,ooo,hhhh,pppp,rrrr  
**Manufacturer:** Ames  
**Orientation:** H  
**0.25% Pb:** No  
**Renewed:** 14-Jun-2021  
**Model:** LF200B  
**Meters:**  
**Spare Parts Only:** Yes  
**Bypass:**

---

**Type:** DC  
**Size:** 1  
**Manual:** 9  
**Approved:** 14-Jun-2006  
**Shutoffs:** (vv),xx,ooo,hhhh,pppp,rrrr  
**Manufacturer:** Ames  
**Orientation:** VD  
**0.25% Pb:** No  
**Renewed:** 14-Jun-2021  
**Model:** LF200B  
**Meters:**  
**Spare Parts Only:** Yes  
**Bypass:**

---

**Type:** DC  
**Size:** 1  
**Manual:** 9  
**Approved:** 14-Jun-2006  
**Shutoffs:** (vv),xx,ooo,hhhh,pppp,rrrr  
**Manufacturer:** Ames  
**Orientation:** VU  
**0.25% Pb:** No  
**Renewed:** 14-Jun-2021  
**Model:** LF200B  
**Meters:**  
**Spare Parts Only:** Yes  
**Bypass:**

---

**Type:** DC  
**Size:** 1 1/4  
**Manual:** 9  
**Approved:** 14-Jun-2006  
**Shutoffs:** (vv),xx,ooo,hhhh,pppp,rrrr  
**Manufacturer:** Ames  
**Orientation:** H  
**0.25% Pb:** No  
**Renewed:** 14-Jun-2021  
**Model:** LF200B  
**Meters:**  
**Spare Parts Only:** Yes  
**Bypass:**

---

**Type:** DC  
**Size:** 1 1/4  
**Manual:** 9  
**Approved:** 14-Jun-2006  
**Shutoffs:** (vv),xx,ooo,hhhh,pppp,rrrr  
**Manufacturer:** Ames  
**Orientation:** VD  
**0.25% Pb:** No  
**Renewed:** 14-Jun-2021  
**Model:** LF200B  
**Meters:**  
**Spare Parts Only:** Yes  
**Bypass:**

---

**Type:** DC  
**Size:** 1 1/4  
**Manual:** 9  
**Approved:** 14-Jun-2006  
**Shutoffs:** (vv),xx,ooo,hhhh,pppp,rrrr  
**Manufacturer:** Ames  
**Orientation:** VU  
**0.25% Pb:** No  
**Renewed:** 14-Jun-2021  
**Model:** LF200B  
**Meters:**  
**Spare Parts Only:** Yes  
**Bypass:**

---

**Type:** DC  
**Size:** 1 1/2  
**Manual:** 9  
**Approved:** 14-Jun-2006  
**Shutoffs:** (vv),xx,ooo,hhhh,pppp,rrrr  
**Manufacturer:** Ames  
**Orientation:** H  
**0.25% Pb:** No  
**Renewed:** 14-Jun-2021  
**Model:** LF200B  
**Meters:**  
**Spare Parts Only:** Yes  
**Bypass:**

**Type:** DC  
**Size:** 1 1/2  
**Manual:** 9  
**Approved:** 14-Jun-2006  
**Shutoffs:** (vv),xx,ooo,hhhh,pppp,rrrr

**Manufacturer:** Ames  
**Orientation:** VD  
**0.25% Pb:** No  
**Renewed:** 14-Jun-2021

**Model:** LF200B  
**Meters:**  
**Spare Parts Only:** Yes  
**Bypass:**

---

**Type:** DC  
**Size:** 1 1/2  
**Manual:** 9  
**Approved:** 14-Jun-2006  
**Shutoffs:** (vv),xx,ooo,hhhh,pppp,rrrr

**Manufacturer:** Ames  
**Orientation:** VU  
**0.25% Pb:** No  
**Renewed:** 14-Jun-2021

**Model:** LF200B  
**Meters:**  
**Spare Parts Only:** Yes  
**Bypass:**

---

**Type:** DC  
**Size:** 2  
**Manual:** 9  
**Approved:** 14-Jun-2006  
**Shutoffs:** (vv),xx,ooo,hhhh,pppp,rrrr

**Manufacturer:** Ames  
**Orientation:** H  
**0.25% Pb:** No  
**Renewed:** 14-Jun-2021

**Model:** LF200B  
**Meters:**  
**Spare Parts Only:** Yes  
**Bypass:**

---

**Type:** DC  
**Size:** 2  
**Manual:** 9  
**Approved:** 14-Jun-2006  
**Shutoffs:** (vv),xx,ooo,hhhh,pppp,rrrr

**Manufacturer:** Ames  
**Orientation:** VD  
**0.25% Pb:** No  
**Renewed:** 14-Jun-2021

**Model:** LF200B  
**Meters:**  
**Spare Parts Only:** Yes  
**Bypass:**

---

**Type:** DC  
**Size:** 2  
**Manual:** 9  
**Approved:** 14-Jun-2006  
**Shutoffs:** (vv),xx,ooo,hhhh,pppp,rrrr

**Manufacturer:** Ames  
**Orientation:** VU  
**0.25% Pb:** No  
**Renewed:** 14-Jun-2021

**Model:** LF200B  
**Meters:**  
**Spare Parts Only:** Yes  
**Bypass:**

---

**Type:** DC  
**Size:** 1/2  
**Manual:** 9  
**Approved:** 14-Jun-2006  
**Shutoffs:** (vv),xx,ooo,hhhh,pppp,rrrr

**Manufacturer:** Ames  
**Orientation:** H  
**0.25% Pb:** No  
**Renewed:** 14-Jun-2021

**Model:** LF200B R10  
**Meters:**  
**Spare Parts Only:** Yes  
**Bypass:**

---

**Type:** DC  
**Size:** 1/2  
**Manual:** 9  
**Approved:** 14-Jun-2006  
**Shutoffs:** (vv),xx,ooo,hhhh,pppp,rrrr

**Manufacturer:** Ames  
**Orientation:** VD  
**0.25% Pb:** No  
**Renewed:** 14-Jun-2021

**Model:** LF200B R10  
**Meters:**  
**Spare Parts Only:** Yes  
**Bypass:**

**Type:** DC  
**Size:** 1/2  
**Manual:** 9  
**Approved:** 14-Jun-2006  
**Shutoffs:** (vv),xx,ooo,hhhh,pppp,rrrr

**Manufacturer:** Ames  
**Orientation:** VU  
**0.25% Pb:** No  
**Renewed:** 14-Jun-2021

**Model:** LF200B R10  
**Meters:**  
**Spare Parts Only:** Yes  
**Bypass:**

---

**Type:** DC  
**Size:** 3/4  
**Manual:** 9  
**Approved:** 14-Jun-2006  
**Shutoffs:** (vv),xx,ooo,hhhh,pppp,rrrr

**Manufacturer:** Ames  
**Orientation:** H  
**0.25% Pb:** No  
**Renewed:** 14-Jun-2021

**Model:** LF200B R10  
**Meters:**  
**Spare Parts Only:** Yes  
**Bypass:**

---

**Type:** DC  
**Size:** 3/4  
**Manual:** 9  
**Approved:** 14-Jun-2006  
**Shutoffs:** (vv),xx,ooo,hhhh,pppp,rrrr

**Manufacturer:** Ames  
**Orientation:** VD  
**0.25% Pb:** No  
**Renewed:** 14-Jun-2021

**Model:** LF200B R10  
**Meters:**  
**Spare Parts Only:** Yes  
**Bypass:**

---

**Type:** DC  
**Size:** 3/4  
**Manual:** 9  
**Approved:** 14-Jun-2006  
**Shutoffs:** (vv),xx,ooo,hhhh,pppp,rrrr

**Manufacturer:** Ames  
**Orientation:** VU  
**0.25% Pb:** No  
**Renewed:** 14-Jun-2021

**Model:** LF200B R10  
**Meters:**  
**Spare Parts Only:** Yes  
**Bypass:**

---

**Type:** DC  
**Size:** 1  
**Manual:** 9  
**Approved:** 14-Jun-2006  
**Shutoffs:** (vv),xx,ooo,hhhh,pppp,rrrr

**Manufacturer:** Ames  
**Orientation:** VUVD  
**0.25% Pb:** No  
**Renewed:** 14-Jun-2021

**Model:** LF200B-A  
**Meters:**  
**Spare Parts Only:** Yes  
**Bypass:**

---

**Type:** DC  
**Size:** 1 1/4  
**Manual:** 9  
**Approved:** 14-Jun-2006  
**Shutoffs:** (vv),xx,ooo,hhhh,pppp,rrrr

**Manufacturer:** Ames  
**Orientation:** VUVD  
**0.25% Pb:** No  
**Renewed:** 14-Jun-2021

**Model:** LF200B-A  
**Meters:**  
**Spare Parts Only:** Yes  
**Bypass:**

---

**Type:** DC  
**Size:** 1 1/2  
**Manual:** 9  
**Approved:** 14-Jun-2006  
**Shutoffs:** (vv),xx,ooo,hhhh,pppp,rrrr

**Manufacturer:** Ames  
**Orientation:** VUVD  
**0.25% Pb:** No  
**Renewed:** 14-Jun-2021

**Model:** LF200B-A  
**Meters:**  
**Spare Parts Only:** Yes  
**Bypass:**



<b>Type:</b> DC	<b>Manufacturer:</b> Ames	<b>Model:</b> LF200B-A
<b>Size:</b> 2	<b>Orientation:</b> VUVD	<b>Meters:</b>
<b>Manual:</b> 9	<b>0.25% Pb:</b> No	<b>Spare Parts Only:</b> Yes
<b>Approved:</b> 14-Jun-2006	<b>Renewed:</b> 14-Jun-2021	<b>Bypass:</b>
<b>Shutoffs:</b> (vv),xx,ooo,hhhh,pppp,rrrr		

---

<b>Type:</b> DC	<b>Manufacturer:</b> Ames	<b>Model:</b> LFU200B
<b>Size:</b> 1	<b>Orientation:</b> H	<b>Meters:</b>
<b>Manual:</b> 9	<b>0.25% Pb:</b> No	<b>Spare Parts Only:</b> Yes
<b>Approved:</b> 14-Jun-2006	<b>Renewed:</b> 14-Jun-2021	<b>Bypass:</b>
<b>Shutoffs:</b> (vv),xx,ooo,hhhh,pppp		

---

<b>Type:</b> DC	<b>Manufacturer:</b> Ames	<b>Model:</b> LFU200B
<b>Size:</b> 1	<b>Orientation:</b> VD	<b>Meters:</b>
<b>Manual:</b> 9	<b>0.25% Pb:</b> No	<b>Spare Parts Only:</b> Yes
<b>Approved:</b> 14-Jun-2006	<b>Renewed:</b> 14-Jun-2021	<b>Bypass:</b>
<b>Shutoffs:</b> (vv),xx,ooo,hhhh,pppp		

---

<b>Type:</b> DC	<b>Manufacturer:</b> Ames	<b>Model:</b> LFU200B
<b>Size:</b> 1	<b>Orientation:</b> VU	<b>Meters:</b>
<b>Manual:</b> 9	<b>0.25% Pb:</b> No	<b>Spare Parts Only:</b> Yes
<b>Approved:</b> 14-Jun-2006	<b>Renewed:</b> 14-Jun-2021	<b>Bypass:</b>
<b>Shutoffs:</b> (vv),xx,ooo,hhhh,pppp		

---

<b>Type:</b> DC	<b>Manufacturer:</b> Ames	<b>Model:</b> LFU200B
<b>Size:</b> 1 1/4	<b>Orientation:</b> H	<b>Meters:</b>
<b>Manual:</b> 9	<b>0.25% Pb:</b> No	<b>Spare Parts Only:</b> Yes
<b>Approved:</b> 14-Jun-2006	<b>Renewed:</b> 14-Jun-2021	<b>Bypass:</b>
<b>Shutoffs:</b> (vv),xx,ooo,hhhh,pppp		

---

<b>Type:</b> DC	<b>Manufacturer:</b> Ames	<b>Model:</b> LFU200B
<b>Size:</b> 1 1/4	<b>Orientation:</b> VD	<b>Meters:</b>
<b>Manual:</b> 9	<b>0.25% Pb:</b> No	<b>Spare Parts Only:</b> Yes
<b>Approved:</b> 14-Jun-2006	<b>Renewed:</b> 14-Jun-2021	<b>Bypass:</b>
<b>Shutoffs:</b> (vv),xx,ooo,hhhh,pppp		

---

<b>Type:</b> DC	<b>Manufacturer:</b> Ames	<b>Model:</b> LFU200B
<b>Size:</b> 1 1/4	<b>Orientation:</b> VU	<b>Meters:</b>
<b>Manual:</b> 9	<b>0.25% Pb:</b> No	<b>Spare Parts Only:</b> Yes
<b>Approved:</b> 14-Jun-2006	<b>Renewed:</b> 14-Jun-2021	<b>Bypass:</b>
<b>Shutoffs:</b> (vv),xx,ooo,hhhh,pppp		

**Type:** DC  
**Size:** 1 1/2  
**Manual:** 9  
**Approved:** 14-Jun-2006  
**Shutoffs:** (vv),xx,ooo,hhhh,pppp

**Manufacturer:** Ames  
**Orientation:** H  
**0.25% Pb:** No  
**Renewed:** 14-Jun-2021

**Model:** LFU200B  
**Meters:**  
**Spare Parts Only:** Yes  
**Bypass:**

---

**Type:** DC  
**Size:** 1 1/2  
**Manual:** 9  
**Approved:** 14-Jun-2006  
**Shutoffs:** (vv),xx,ooo,hhhh,pppp

**Manufacturer:** Ames  
**Orientation:** VD  
**0.25% Pb:** No  
**Renewed:** 14-Jun-2021

**Model:** LFU200B  
**Meters:**  
**Spare Parts Only:** Yes  
**Bypass:**

---

**Type:** DC  
**Size:** 1 1/2  
**Manual:** 9  
**Approved:** 14-Jun-2006  
**Shutoffs:** (vv),xx,ooo,hhhh,pppp

**Manufacturer:** Ames  
**Orientation:** VU  
**0.25% Pb:** No  
**Renewed:** 14-Jun-2021

**Model:** LFU200B  
**Meters:**  
**Spare Parts Only:** Yes  
**Bypass:**

---

**Type:** DC  
**Size:** 2  
**Manual:** 9  
**Approved:** 14-Jun-2006  
**Shutoffs:** (vv),xx,ooo,hhhh,pppp

**Manufacturer:** Ames  
**Orientation:** H  
**0.25% Pb:** No  
**Renewed:** 14-Jun-2021

**Model:** LFU200B  
**Meters:**  
**Spare Parts Only:** Yes  
**Bypass:**

---

**Type:** DC  
**Size:** 2  
**Manual:** 9  
**Approved:** 14-Jun-2006  
**Shutoffs:** (vv),xx,ooo,hhhh,pppp

**Manufacturer:** Ames  
**Orientation:** VD  
**0.25% Pb:** No  
**Renewed:** 14-Jun-2021

**Model:** LFU200B  
**Meters:**  
**Spare Parts Only:** Yes  
**Bypass:**

---

**Type:** DC  
**Size:** 2  
**Manual:** 9  
**Approved:** 14-Jun-2006  
**Shutoffs:** (vv),xx,ooo,hhhh,pppp

**Manufacturer:** Ames  
**Orientation:** VU  
**0.25% Pb:** No  
**Renewed:** 14-Jun-2021

**Model:** LFU200B  
**Meters:**  
**Spare Parts Only:** Yes  
**Bypass:**

---

**Type:** DC  
**Size:** 2 1/2  
**Manual:** 9  
**Approved:** 20-Jul-2004  
**Shutoffs:** (ppp),qqq,nnnnn

**Manufacturer:** Ames  
**Orientation:** H  
**0.25% Pb:** No  
**Renewed:** 20-Jul-2022

**Model:** Maxim 200  
**Meters:**  
**Spare Parts Only:** No  
**Bypass:**

**Type:** DC   **Manufacturer:** Ames   **Model:** Maxim 200  
**Size:** 2 1/2   **Orientation:** H   **Meters:**  
**Manual:** 9   **0.25% Pb:** Yes   **Spare Parts Only:** No  
**Approved:** 20-Jul-2004   **Renewed:** 20-Jul-2022   **Bypass:**  
**Shutoffs:** yyy,dddd,eeee,gggg,kkkk,llll,mmmm,nnnn

---

**Type:** DC   **Manufacturer:** Ames   **Model:** Maxim 200  
**Size:** 2 1/2   **Orientation:** VU   **Meters:**  
**Manual:** 9   **0.25% Pb:** No   **Spare Parts Only:** No  
**Approved:** 20-Jul-2004   **Renewed:** 20-Jul-2022   **Bypass:**  
**Shutoffs:** (ppp),qqq,nnnn

---

**Type:** DC   **Manufacturer:** Ames   **Model:** Maxim 200  
**Size:** 2 1/2   **Orientation:** VU   **Meters:**  
**Manual:** 9   **0.25% Pb:** Yes   **Spare Parts Only:** No  
**Approved:** 20-Jul-2004   **Renewed:** 20-Jul-2022   **Bypass:**  
**Shutoffs:** yyy,dddd,eeee,gggg,kkkk,llll,mmmm,nnnn

---

**Type:** DC   **Manufacturer:** Ames   **Model:** Maxim 200  
**Size:** 3   **Orientation:** H   **Meters:**  
**Manual:** 9   **0.25% Pb:** No   **Spare Parts Only:** No  
**Approved:** 20-Jul-2004   **Renewed:** 20-Jul-2022   **Bypass:**  
**Shutoffs:** (ppp),qqq,nnnn

---

**Type:** DC   **Manufacturer:** Ames   **Model:** Maxim 200  
**Size:** 3   **Orientation:** H   **Meters:**  
**Manual:** 9   **0.25% Pb:** Yes   **Spare Parts Only:** No  
**Approved:** 20-Jul-2004   **Renewed:** 20-Jul-2022   **Bypass:**  
**Shutoffs:** yyy,dddd,eeee,gggg,kkkk,llll,mmmm,nnnn

---

**Type:** DC   **Manufacturer:** Ames   **Model:** Maxim 200  
**Size:** 3   **Orientation:** VU   **Meters:**  
**Manual:** 9   **0.25% Pb:** No   **Spare Parts Only:** No  
**Approved:** 20-Jul-2004   **Renewed:** 20-Jul-2022   **Bypass:**  
**Shutoffs:** (ppp),qqq,nnnn

---

**Type:** DC   **Manufacturer:** Ames   **Model:** Maxim 200  
**Size:** 3   **Orientation:** VU   **Meters:**  
**Manual:** 9   **0.25% Pb:** Yes   **Spare Parts Only:** No  
**Approved:** 20-Jul-2004   **Renewed:** 20-Jul-2022   **Bypass:**  
**Shutoffs:** yyy,dddd,eeee,gggg,kkkk,llll,mmmm,nnnn

**Type:** DC                              **Manufacturer:** Ames                              **Model:** Maxim 200  
**Size:** 4                                      **Orientation:** H                                      **Meters:**  
**Manual:** 9                                      **0.25% Pb:** No                                      **Spare Parts Only:** No  
**Approved:** 21-Apr-2006                              **Renewed:** 21-Apr-2021                              **Bypass:**  
**Shutoffs:** (ppp),qqq,aaaa,bbbb,nnnn

---

**Type:** DC                              **Manufacturer:** Ames                              **Model:** Maxim 200  
**Size:** 4                                      **Orientation:** H                                      **Meters:**  
**Manual:** 9                                      **0.25% Pb:** Yes                                      **Spare Parts Only:** No  
**Approved:** 21-Apr-2006                              **Renewed:** 21-Apr-2021                              **Bypass:**  
**Shutoffs:** yyy,zzz,dddd,eeee,gggg,kkkk,llll,mmmm,nnnn

---

**Type:** DC                              **Manufacturer:** Ames                              **Model:** Maxim 200  
**Size:** 4                                      **Orientation:** VU                                      **Meters:**  
**Manual:** 9                                      **0.25% Pb:** No                                      **Spare Parts Only:** No  
**Approved:** 21-Apr-2006                              **Renewed:** 21-Apr-2021                              **Bypass:**  
**Shutoffs:** (ppp),qqq,aaaa,bbbb,nnnn

---

**Type:** DC                              **Manufacturer:** Ames                              **Model:** Maxim 200  
**Size:** 4                                      **Orientation:** VU                                      **Meters:**  
**Manual:** 9                                      **0.25% Pb:** Yes                                      **Spare Parts Only:** No  
**Approved:** 21-Apr-2006                              **Renewed:** 21-Apr-2021                              **Bypass:**  
**Shutoffs:** yyy,zzz,dddd,eeee,gggg,kkkk,llll,mmmm,nnnn

---

**Type:** DC                              **Manufacturer:** Ames                              **Model:** Maxim 200  
**Size:** 6                                      **Orientation:** H                                      **Meters:**  
**Manual:** 9                                      **0.25% Pb:** No                                      **Spare Parts Only:** No  
**Approved:** 11-Aug-2004                              **Renewed:** 11-Aug-2022                              **Bypass:**  
**Shutoffs:** ppp,qqq,aaaa,bbbb,nnnn

---

**Type:** DC                              **Manufacturer:** Ames                              **Model:** Maxim 200  
**Size:** 6                                      **Orientation:** H                                      **Meters:**  
**Manual:** 9                                      **0.25% Pb:** Yes                                      **Spare Parts Only:** No  
**Approved:** 11-Aug-2004                              **Renewed:** 11-Aug-2022                              **Bypass:**  
**Shutoffs:** (yyy),zzz,dddd,eeee,gggg,kkkk,llll,mmmm,nnnn

---

**Type:** DC                              **Manufacturer:** Ames                              **Model:** Maxim 200  
**Size:** 6                                      **Orientation:** VU                                      **Meters:**  
**Manual:** 9                                      **0.25% Pb:** No                                      **Spare Parts Only:** No  
**Approved:** 10-Feb-2006                              **Renewed:** 10-Feb-2021                              **Bypass:**  
**Shutoffs:** ppp,qqq,aaaa,bbbb,nnnn

**Type:** DC                                      **Manufacturer:** Ames                                      **Model:** Maxim 200  
**Size:** 6    **Orientation:** VU    **Meters:**  
**Manual:** 9    **0.25% Pb:** Yes    **Spare Parts Only:** No  
**Approved:** 10-Feb-2006                                      **Renewed:** 10-Feb-2021                                      **Bypass:**  
**Shutoffs:** (yyy),zzz,dddd,eeee,gggg,kkkk,llll,mmmm,nnnn

---

**Type:** DC                                      **Manufacturer:** Ames                                      **Model:** Maxim 200  
**Size:** 8    **Orientation:** H    **Meters:**  
**Manual:** 9    **0.25% Pb:** No    **Spare Parts Only:** No  
**Approved:** 02-May-2008                                      **Renewed:** 02-May-2020                                      **Bypass:**  
**Shutoffs:** ppp,qqq,aaaa,bbbb,nnnn

---

**Type:** DC                                      **Manufacturer:** Ames                                      **Model:** Maxim 200  
**Size:** 8    **Orientation:** H    **Meters:**  
**Manual:** 9    **0.25% Pb:** Yes    **Spare Parts Only:** No  
**Approved:** 02-May-2008                                      **Renewed:** 02-May-2020                                      **Bypass:**  
**Shutoffs:** (yyy),zzz,dddd,eeee,gggg

---

**Type:** DC                                      **Manufacturer:** Ames                                      **Model:** Maxim 200  
**Size:** 8    **Orientation:** VU    **Meters:**  
**Manual:** 9    **0.25% Pb:** No    **Spare Parts Only:** No  
**Approved:** 02-May-2008                                      **Renewed:** 02-May-2020                                      **Bypass:**  
**Shutoffs:** ppp,qqq,aaaa,bbbb,nnnn

---

**Type:** DC                                      **Manufacturer:** Ames                                      **Model:** Maxim 200  
**Size:** 8    **Orientation:** VU    **Meters:**  
**Manual:** 9    **0.25% Pb:** Yes    **Spare Parts Only:** No  
**Approved:** 02-May-2008                                      **Renewed:** 02-May-2020                                      **Bypass:**  
**Shutoffs:** (yyy),zzz,dddd,eeee,gggg

---

**Type:** DC                                      **Manufacturer:** Ames                                      **Model:** Maxim 200  
**Size:** 10    **Orientation:** H    **Meters:**  
**Manual:** 9    **0.25% Pb:** No    **Spare Parts Only:** No  
**Approved:** 20-Oct-2008                                      **Renewed:** 20-Oct-2020                                      **Bypass:**  
**Shutoffs:** (ppp),qqq,aaaa,bbbb

---

**Type:** DC                                      **Manufacturer:** Ames                                      **Model:** Maxim 200  
**Size:** 10    **Orientation:** H    **Meters:**  
**Manual:** 9    **0.25% Pb:** Yes    **Spare Parts Only:** No  
**Approved:** 20-Oct-2008                                      **Renewed:** 20-Oct-2020                                      **Bypass:**  
**Shutoffs:** yyy,zzz,dddd,eeee,gggg

**Type:** DC                                      **Manufacturer:** Ames                                      **Model:** Maxim 200  
**Size:** 10                                      **Orientation:** VU                                      **Meters:**  
**Manual:** 9                                      **0.25% Pb:** No                                      **Spare Parts Only:** No  
**Approved:** 20-Oct-2008                                      **Renewed:** 20-Oct-2020                                      **Bypass:**  
**Shutoffs:** (ppp),qqq,aaaa,bbbb

---

**Type:** DC                                      **Manufacturer:** Ames                                      **Model:** Maxim 200  
**Size:** 10                                      **Orientation:** VU                                      **Meters:**  
**Manual:** 9                                      **0.25% Pb:** Yes                                      **Spare Parts Only:** No  
**Approved:** 20-Oct-2008                                      **Renewed:** 20-Oct-2020                                      **Bypass:**  
**Shutoffs:** yyy,zzz,dddd,eeee,gggg

---

**Type:** DC                                      **Manufacturer:** Ames                                      **Model:** Maxim 200a  
**Size:** 2 1/2                                      **Orientation:** H                                      **Meters:**  
**Manual:** 9                                      **0.25% Pb:** No                                      **Spare Parts Only:** Yes  
**Approved:** 07-Oct-2002                                      **Renewed:** 07-Oct-2020                                      **Bypass:**  
**Shutoffs:** (yyy),ppp,qqq,zzz,aaaa,bbbb,dddd,eeee,gggg,nnnnn

---

**Type:** DC                                      **Manufacturer:** Ames                                      **Model:** Maxim 200a  
**Size:** 2 1/2                                      **Orientation:** VU                                      **Meters:**  
**Manual:** 9                                      **0.25% Pb:** No                                      **Spare Parts Only:** Yes  
**Approved:** 07-Oct-2002                                      **Renewed:** 07-Oct-2020                                      **Bypass:**  
**Shutoffs:** (yyy),ppp,qqq,zzz,aaaa,bbbb,dddd,eeee,gggg,nnnnn

---

**Type:** DC                                      **Manufacturer:** Ames                                      **Model:** Maxim 200a  
**Size:** 3                                      **Orientation:** H                                      **Meters:**  
**Manual:** 9                                      **0.25% Pb:** No                                      **Spare Parts Only:** Yes  
**Approved:** 07-Oct-2002                                      **Renewed:** 07-Oct-2020                                      **Bypass:**  
**Shutoffs:** (yyy),ppp,qqq,zzz,aaaa,bbbb,dddd,eeee,gggg,nnnnn

---

**Type:** DC                                      **Manufacturer:** Ames                                      **Model:** Maxim 200a  
**Size:** 3                                      **Orientation:** VU                                      **Meters:**  
**Manual:** 9                                      **0.25% Pb:** No                                      **Spare Parts Only:** Yes  
**Approved:** 07-Oct-2002                                      **Renewed:** 07-Oct-2020                                      **Bypass:**  
**Shutoffs:** (yyy),ppp,qqq,zzz,aaaa,bbbb,dddd,eeee,gggg,nnnnn

---

**Type:** DC                                      **Manufacturer:** Ames                                      **Model:** Maxim 200a  
**Size:** 4                                      **Orientation:** H                                      **Meters:**  
**Manual:** 9                                      **0.25% Pb:** No                                      **Spare Parts Only:** Yes  
**Approved:** 03-Jul-2003                                      **Renewed:** 03-Jul-2021                                      **Bypass:**  
**Shutoffs:** (yyy),ppp,qqq,zzz,aaaa,bbbb,dddd,eeee,gggg,nnnnn

**Type:** DC                                       **Manufacturer:** Ames                                       **Model:** Maxim 200a  
**Size:** 4   **Orientation:** VU   **Meters:**  
**Manual:** 9   **0.25% Pb:** No   **Spare Parts Only:** Yes  
**Approved:** 03-Jul-2003                                       **Renewed:** 03-Jul-2021                                       **Bypass:**  
**Shutoffs:** (yyy),ppp,qqq,zzz,aaaa,bbbb,dddd,eeee,gggg,nnnnn

---

**Type:** DC                                       **Manufacturer:** Ames                                       **Model:** Maxim 200N  
**Size:** 2 1/2   **Orientation:** VUVD   **Meters:**  
**Manual:** 9   **0.25% Pb:** No   **Spare Parts Only:** No  
**Approved:** 07-Apr-2009                                       **Renewed:** 07-Apr-2021                                       **Bypass:**  
**Shutoffs:** (ppp),qqq,nnnnn

---

**Type:** DC                                       **Manufacturer:** Ames                                       **Model:** Maxim 200N  
**Size:** 2 1/2   **Orientation:** VUVD   **Meters:**  
**Manual:** 9   **0.25% Pb:** Yes   **Spare Parts Only:** No  
**Approved:** 07-Apr-2009                                       **Renewed:** 07-Apr-2021                                       **Bypass:**  
**Shutoffs:** yyy,zzz,dddd,eeee,dddd,gggg,kkkk,llll,mmmm,nnnn

---

**Type:** DC                                       **Manufacturer:** Ames                                       **Model:** Maxim 200N  
**Size:** 3   **Orientation:** VUVD   **Meters:**  
**Manual:** 9   **0.25% Pb:** No   **Spare Parts Only:** No  
**Approved:** 07-Apr-2009                                       **Renewed:** 07-Apr-2021                                       **Bypass:**  
**Shutoffs:** (ppp),qqq,nnnnn

---

**Type:** DC                                       **Manufacturer:** Ames                                       **Model:** Maxim 200N  
**Size:** 3   **Orientation:** VUVD   **Meters:**  
**Manual:** 9   **0.25% Pb:** Yes   **Spare Parts Only:** No  
**Approved:** 07-Apr-2009                                       **Renewed:** 07-Apr-2021                                       **Bypass:**  
**Shutoffs:** yyy,zzz,dddd,eeee,dddd,gggg,kkkk,llll,mmmm,nnnn

---

**Type:** DC                                       **Manufacturer:** Ames                                       **Model:** Maxim 200N  
**Size:** 4   **Orientation:** VUVD   **Meters:**  
**Manual:** 9   **0.25% Pb:** No   **Spare Parts Only:** No  
**Approved:** 07-Apr-2009                                       **Renewed:** 07-Apr-2021                                       **Bypass:**  
**Shutoffs:** (ppp),qqq,nnnnn

---

**Type:** DC                                       **Manufacturer:** Ames                                       **Model:** Maxim 200N  
**Size:** 4   **Orientation:** VUVD   **Meters:**  
**Manual:** 9   **0.25% Pb:** Yes   **Spare Parts Only:** No  
**Approved:** 07-Apr-2009                                       **Renewed:** 07-Apr-2021                                       **Bypass:**  
**Shutoffs:** yyy,zzz,dddd,eeee,dddd,gggg,kkkk,llll,mmmm,nnnn

<b>Type:</b> DC	<b>Manufacturer:</b> Ames	<b>Model:</b> Maxim 200N
<b>Size:</b> 6	<b>Orientation:</b> VUVD	<b>Meters:</b>
<b>Manual:</b> 9	<b>0.25% Pb:</b> No	<b>Spare Parts Only:</b> No
<b>Approved:</b> 03-Jan-2013	<b>Renewed:</b> 03-Jan-2022	<b>Bypass:</b>
<b>Shutoffs:</b> ppp,qqq,aaaa,bbbb		

---

<b>Type:</b> DC	<b>Manufacturer:</b> Ames	<b>Model:</b> Maxim 200N
<b>Size:</b> 6	<b>Orientation:</b> VUVD	<b>Meters:</b>
<b>Manual:</b> 9	<b>0.25% Pb:</b> Yes	<b>Spare Parts Only:</b> No
<b>Approved:</b> 03-Jan-2013	<b>Renewed:</b> 03-Jan-2022	<b>Bypass:</b>
<b>Shutoffs:</b> yyy,zzz,dddd,eeee,gggg,kkkk,llll,mmmm,nnnn		

---

<b>Type:</b> DC	<b>Manufacturer:</b> Ames	<b>Model:</b> Maxim 200N
<b>Size:</b> 8	<b>Orientation:</b> VUVD	<b>Meters:</b>
<b>Manual:</b> 9	<b>0.25% Pb:</b> No	<b>Spare Parts Only:</b> No
<b>Approved:</b> 01-Sep-2009	<b>Renewed:</b> 01-Sep-2021	<b>Bypass:</b>
<b>Shutoffs:</b> (ppp),qqq,nnnnn		

---

<b>Type:</b> DC	<b>Manufacturer:</b> Ames	<b>Model:</b> Maxim 200N
<b>Size:</b> 8	<b>Orientation:</b> VUVD	<b>Meters:</b>
<b>Manual:</b> 9	<b>0.25% Pb:</b> Yes	<b>Spare Parts Only:</b> No
<b>Approved:</b> 01-Sep-2009	<b>Renewed:</b> 01-Sep-2021	<b>Bypass:</b>
<b>Shutoffs:</b> yyy,zzz,dddd,eeee,gggg,kkkk,llll,mmmm,nnnn		

---

<b>Type:</b> DC	<b>Manufacturer:</b> Ames	<b>Model:</b> Maxim 200Na
<b>Size:</b> 2 1/2	<b>Orientation:</b> VUVD	<b>Meters:</b>
<b>Manual:</b> 9	<b>0.25% Pb:</b> No	<b>Spare Parts Only:</b> Yes
<b>Approved:</b> 20-Mar-2003	<b>Renewed:</b> 20-Mar-2021	<b>Bypass:</b>
<b>Shutoffs:</b> (yyy),ppp,qqq,zzz,aaaa,bbbb,dddd,eeee,gggg,nnnnn		

---

<b>Type:</b> DC	<b>Manufacturer:</b> Ames	<b>Model:</b> Maxim 200Na
<b>Size:</b> 3	<b>Orientation:</b> VUVD	<b>Meters:</b>
<b>Manual:</b> 9	<b>0.25% Pb:</b> No	<b>Spare Parts Only:</b> Yes
<b>Approved:</b> 20-Mar-2003	<b>Renewed:</b> 20-Mar-2021	<b>Bypass:</b>
<b>Shutoffs:</b> (yyy),ppp,qqq,zzz,aaaa,bbbb,dddd,eeee,gggg,nnnnn		

---

<b>Type:</b> DC	<b>Manufacturer:</b> Ames	<b>Model:</b> Maxim 200Na
<b>Size:</b> 4	<b>Orientation:</b> VUVD	<b>Meters:</b>
<b>Manual:</b> 9	<b>0.25% Pb:</b> No	<b>Spare Parts Only:</b> Yes
<b>Approved:</b> 03-Jul-2003	<b>Renewed:</b> 03-Jul-2021	<b>Bypass:</b>
<b>Shutoffs:</b> (yyy),ppp,qqq,zzz,aaaa,bbbb,dddd,eeee,gggg,nnnnn		



**Type:** DC  
**Size:** 1  
**Manual:** 9  
**Approved:** 21-Apr-2006  
**Shutoffs:** (vv),xx,ooo,hhhh,pppp

**Manufacturer:** Ames  
**Orientation:** H  
**0.25% Pb:** No  
**Renewed:** 21-Apr-2021

**Model:** U200B  
**Meters:**  
**Spare Parts Only:** Yes  
**Bypass:**

---

**Type:** DC  
**Size:** 1  
**Manual:** 9  
**Approved:** 21-Apr-2006  
**Shutoffs:** (vv),xx,ooo,hhhh,pppp

**Manufacturer:** Ames  
**Orientation:** VD  
**0.25% Pb:** No  
**Renewed:** 21-Apr-2021

**Model:** U200B  
**Meters:**  
**Spare Parts Only:** Yes  
**Bypass:**

---

**Type:** DC  
**Size:** 1  
**Manual:** 9  
**Approved:** 21-Apr-2006  
**Shutoffs:** (vv),xx,ooo,hhhh,pppp

**Manufacturer:** Ames  
**Orientation:** VU  
**0.25% Pb:** No  
**Renewed:** 21-Apr-2021

**Model:** U200B  
**Meters:**  
**Spare Parts Only:** Yes  
**Bypass:**

---

**Type:** DC  
**Size:** 1 1/4  
**Manual:** 9  
**Approved:** 21-Apr-2006  
**Shutoffs:** (vv),xx,ooo,hhhh,pppp

**Manufacturer:** Ames  
**Orientation:** H  
**0.25% Pb:** No  
**Renewed:** 21-Apr-2021

**Model:** U200B  
**Meters:**  
**Spare Parts Only:** Yes  
**Bypass:**

---

**Type:** DC  
**Size:** 1 1/4  
**Manual:** 9  
**Approved:** 21-Apr-2006  
**Shutoffs:** (vv),xx,ooo,hhhh,pppp

**Manufacturer:** Ames  
**Orientation:** VD  
**0.25% Pb:** No  
**Renewed:** 21-Apr-2021

**Model:** U200B  
**Meters:**  
**Spare Parts Only:** Yes  
**Bypass:**

---

**Type:** DC  
**Size:** 1 1/4  
**Manual:** 9  
**Approved:** 21-Apr-2006  
**Shutoffs:** (vv),xx,ooo,hhhh,pppp

**Manufacturer:** Ames  
**Orientation:** VU  
**0.25% Pb:** No  
**Renewed:** 21-Apr-2021

**Model:** U200B  
**Meters:**  
**Spare Parts Only:** Yes  
**Bypass:**

---

**Type:** DC  
**Size:** 1 1/2  
**Manual:** 9  
**Approved:** 21-Apr-2006  
**Shutoffs:** (vv),xx,ooo,hhhh,pppp

**Manufacturer:** Ames  
**Orientation:** H  
**0.25% Pb:** No  
**Renewed:** 21-Apr-2021

**Model:** U200B  
**Meters:**  
**Spare Parts Only:** Yes  
**Bypass:**

**Type:** DC  
**Size:** 1 1/2  
**Manual:** 9  
**Approved:** 21-Apr-2006  
**Shutoffs:** (vv),xx,ooo,hhhh,pppp

**Manufacturer:** Ames  
**Orientation:** VD  
**0.25% Pb:** No  
**Renewed:** 21-Apr-2021

**Model:** U200B  
**Meters:**  
**Spare Parts Only:** Yes  
**Bypass:**

---

**Type:** DC  
**Size:** 1 1/2  
**Manual:** 9  
**Approved:** 21-Apr-2006  
**Shutoffs:** (vv),xx,ooo,hhhh,pppp

**Manufacturer:** Ames  
**Orientation:** VU  
**0.25% Pb:** No  
**Renewed:** 21-Apr-2021

**Model:** U200B  
**Meters:**  
**Spare Parts Only:** Yes  
**Bypass:**

---

**Type:** DC  
**Size:** 2  
**Manual:** 9  
**Approved:** 21-Apr-2006  
**Shutoffs:** (vv),xx,ooo,hhhh,pppp

**Manufacturer:** Ames  
**Orientation:** H  
**0.25% Pb:** No  
**Renewed:** 21-Apr-2021

**Model:** U200B  
**Meters:**  
**Spare Parts Only:** Yes  
**Bypass:**

---

**Type:** DC  
**Size:** 2  
**Manual:** 9  
**Approved:** 21-Apr-2006  
**Shutoffs:** (vv),xx,ooo,hhhh,pppp

**Manufacturer:** Ames  
**Orientation:** VD  
**0.25% Pb:** No  
**Renewed:** 21-Apr-2021

**Model:** U200B  
**Meters:**  
**Spare Parts Only:** Yes  
**Bypass:**

---

**Type:** DC  
**Size:** 2  
**Manual:** 9  
**Approved:** 21-Apr-2006  
**Shutoffs:** (vv),xx,ooo,hhhh,pppp

**Manufacturer:** Ames  
**Orientation:** VU  
**0.25% Pb:** No  
**Renewed:** 21-Apr-2021

**Model:** U200B  
**Meters:**  
**Spare Parts Only:** Yes  
**Bypass:**

---

**Type:** DC  
**Size:** 1/2  
**Manual:** 9  
**Approved:** 21-Apr-2006  
**Shutoffs:** (vv),xx,ooo,hhhh,pppp

**Manufacturer:** Ames  
**Orientation:** H  
**0.25% Pb:** No  
**Renewed:** 21-Apr-2021

**Model:** U200BR10  
**Meters:**  
**Spare Parts Only:** Yes  
**Bypass:**

---

**Type:** DC  
**Size:** 1/2  
**Manual:** 9  
**Approved:** 21-Apr-2006  
**Shutoffs:** (vv),xx,ooo,hhhh,pppp

**Manufacturer:** Ames  
**Orientation:** VD  
**0.25% Pb:** No  
**Renewed:** 21-Apr-2021

**Model:** U200BR10  
**Meters:**  
**Spare Parts Only:** Yes  
**Bypass:**

**Type:** DC    **Manufacturer:** Ames    **Model:** U200BR10  
**Size:** 1/2    **Orientation:** VU    **Meters:**  
**Manual:** 9    **0.25% Pb:** No    **Spare Parts Only:** Yes  
**Approved:** 21-Apr-2006    **Renewed:** 21-Apr-2021    **Bypass:**  
**Shutoffs:** (vv),xx,ooo,hhhh,pppp

---

**Type:** DC    **Manufacturer:** Ames    **Model:** U200BR10  
**Size:** 3/4    **Orientation:** H    **Meters:**  
**Manual:** 9    **0.25% Pb:** No    **Spare Parts Only:** Yes  
**Approved:** 21-Apr-2006    **Renewed:** 21-Apr-2021    **Bypass:**  
**Shutoffs:** (vv),xx,ooo,hhhh,pppp

---

**Type:** DC    **Manufacturer:** Ames    **Model:** U200BR10  
**Size:** 3/4    **Orientation:** VD    **Meters:**  
**Manual:** 9    **0.25% Pb:** No    **Spare Parts Only:** Yes  
**Approved:** 21-Apr-2006    **Renewed:** 21-Apr-2021    **Bypass:**  
**Shutoffs:** (vv),xx,ooo,hhhh,pppp

---

**Type:** DC    **Manufacturer:** Ames    **Model:** U200BR10  
**Size:** 3/4    **Orientation:** VU    **Meters:**  
**Manual:** 9    **0.25% Pb:** No    **Spare Parts Only:** Yes  
**Approved:** 21-Apr-2006    **Renewed:** 21-Apr-2021    **Bypass:**  
**Shutoffs:** (vv),xx,ooo,hhhh,pppp

---

**Type:** DC    **Manufacturer:** Apollo/Conbraco    **Model:** 1/2DC  
**Size:** 1/2    **Orientation:**  
**Manual:**    **0.25% Pb:** No    **Spare Parts Only:** No  
**Approved:**    **Renewed:**    **Bypass:**  
**Notes:** model designation changed to DC4S

---

**Type:** DC    **Manufacturer:** Apollo/Conbraco    **Model:** 1/2DC  
**Size:** 1/2    **Orientation:**  
**Manual:**    **0.25% Pb:** No    **Spare Parts Only:** No  
**Approved:**    **Renewed:**    **Bypass:**  
**Notes:** model designation changed to DC4S

---

**Type:** DC    **Manufacturer:** Apollo/Conbraco    **Model:** 10DC  
**Size:** 10    **Orientation:**  
**Manual:**    **0.25% Pb:** No    **Spare Parts Only:** No  
**Approved:**    **Renewed:**    **Bypass:**  
**Notes:** model designation changed to DC4S

**Type:** DC                                      **Manufacturer:** Apollo/Conbraco                                      **Model:** 10DC  
**Size:** 10                                      **Orientation:**                                      **Meters:**  
**Manual:**                                      **0.25% Pb:** No                                      **Spare Parts Only:** No  
**Approved:**                                      **Renewed:**                                      **Bypass:**  
**Notes:** model designation changed to DC4S

---

**Type:** DC                                      **Manufacturer:** Apollo/Conbraco                                      **Model:** 2 1/2DC  
**Size:** 2 1/2                                      **Orientation:** H                                      **Meters:**  
**Manual:** 9                                      **0.25% Pb:** No                                      **Spare Parts Only:** Yes  
**Approved:** 16-Oct-2000                                      **Renewed:** 16-Oct-2021                                      **Bypass:**  
**Shutoffs:** (ll),mm

---

**Type:** DC                                      **Manufacturer:** Apollo/Conbraco                                      **Model:** 2 1/2DC  
**Size:** 2 1/2                                      **Orientation:** VU                                      **Meters:**  
**Manual:** 9                                      **0.25% Pb:** No                                      **Spare Parts Only:** Yes  
**Approved:** 16-Oct-2000                                      **Renewed:** 16-Oct-2021                                      **Bypass:**  
**Shutoffs:** (ll),mm

---

**Type:** DC                                      **Manufacturer:** Apollo/Conbraco                                      **Model:** 2 1/2DC-7  
**Size:** 2 1/2                                      **Orientation:** H                                      **Meters:**  
**Manual:** 9                                      **0.25% Pb:** No                                      **Spare Parts Only:** Yes  
**Approved:** 23-Oct-2001                                      **Renewed:** 23-Oct-2019                                      **Bypass:**  
**Shutoffs:** (mm)[#1SOV], (qqq)[#2SOV]

---

**Type:** DC                                      **Manufacturer:** Apollo/Conbraco                                      **Model:** 2 1/2DC-7  
**Size:** 2 1/2                                      **Orientation:** VU                                      **Meters:**  
**Manual:** 9                                      **0.25% Pb:** No                                      **Spare Parts Only:** Yes  
**Approved:** 23-Oct-2001                                      **Renewed:** 23-Oct-2019                                      **Bypass:**  
**Shutoffs:** (mm)[#1SOV], (qqq)[#2SOV]

---

**Type:** DC                                      **Manufacturer:** Apollo/Conbraco                                      **Model:** 2 1/2DC8  
**Size:** 2 1/2                                      **Orientation:** H                                      **Meters:**  
**Manual:** 9                                      **0.25% Pb:** No                                      **Spare Parts Only:** Yes  
**Approved:** 29-Sep-2004                                      **Renewed:** 29-Sep-2019                                      **Bypass:**  
**Shutoffs:** (ppp),qqq

---

**Type:** DC                                      **Manufacturer:** Apollo/Conbraco                                      **Model:** 2 1/2DC8  
**Size:** 2 1/2                                      **Orientation:** VU                                      **Meters:**  
**Manual:** 9                                      **0.25% Pb:** No                                      **Spare Parts Only:** Yes  
**Approved:** 29-Sep-2004                                      **Renewed:** 29-Sep-2019                                      **Bypass:**  
**Shutoffs:** (ppp),qqq

**Type:** DC                                   **Manufacturer:** Apollo/Conbraco               **Model:** 2 1/2DCU  
**Size:** 2 1/2                                   **Orientation:** VUVD                                       **Meters:**  
**Manual:** 9                                   **0.25% Pb:** No   **Spare Parts Only:** Yes  
**Approved:** 10-Apr-2001               **Renewed:** 10-Apr-2022                                       **Bypass:**  
**Shutoffs:** (ll),mm

---

**Type:** DC                                   **Manufacturer:** Apollo/Conbraco               **Model:** 2 1/2DCU  
**Size:** 2 1/2                                   **Orientation:** VUVD                                       **Meters:**  
**Manual:** 9                                   **0.25% Pb:** No   **Spare Parts Only:** Yes  
**Approved:** 10-Apr-2001               **Renewed:** 10-Apr-2022                                       **Bypass:**  
**Shutoffs:** (ll),mm

---

**Type:** DC                                   **Manufacturer:** Apollo/Conbraco               **Model:** 3DC  
**Size:** 3                                   **Orientation:** H   **Meters:**  
**Manual:** 9                                   **0.25% Pb:** No   **Spare Parts Only:** Yes  
**Approved:** 16-Oct-2000               **Renewed:** 16-Oct-2021                                       **Bypass:**  
**Shutoffs:** (ll),mm

---

**Type:** DC                                   **Manufacturer:** Apollo/Conbraco               **Model:** 3DC  
**Size:** 3                                   **Orientation:** VU   **Meters:**  
**Manual:** 9                                   **0.25% Pb:** No   **Spare Parts Only:** Yes  
**Approved:** 16-Oct-2000               **Renewed:** 16-Oct-2021                                       **Bypass:**  
**Shutoffs:** (ll),mm

---

**Type:** DC                                   **Manufacturer:** Apollo/Conbraco               **Model:** 3DC7  
**Size:** 3                                   **Orientation:** H   **Meters:**  
**Manual:** 9                                   **0.25% Pb:** No   **Spare Parts Only:** Yes  
**Approved:** 23-Oct-2001               **Renewed:** 23-Oct-2019                                       **Bypass:**  
**Shutoffs:** (mm)[#1SOV], (qqq)[#2SOV]

---

**Type:** DC                                   **Manufacturer:** Apollo/Conbraco               **Model:** 3DC7  
**Size:** 3                                   **Orientation:** VU   **Meters:**  
**Manual:** 9                                   **0.25% Pb:** No   **Spare Parts Only:** Yes  
**Approved:** 23-Oct-2001               **Renewed:** 23-Oct-2019                                       **Bypass:**  
**Shutoffs:** (mm)[#1SOV], (qqq)[#2SOV]

---

**Type:** DC                                   **Manufacturer:** Apollo/Conbraco               **Model:** 3DC8  
**Size:** 3                                   **Orientation:** H   **Meters:**  
**Manual:** 9                                   **0.25% Pb:** No   **Spare Parts Only:** Yes  
**Approved:** 29-Sep-2004               **Renewed:** 29-Sep-2019                                       **Bypass:**  
**Shutoffs:** (ppp),qqq

<b>Type:</b> DC	<b>Manufacturer:</b> Apollo/Conbraco	<b>Model:</b> 3DC8
<b>Size:</b> 3	<b>Orientation:</b> VU	<b>Meters:</b>
<b>Manual:</b> 9	<b>0.25% Pb:</b> No	<b>Spare Parts Only:</b> Yes
<b>Approved:</b> 29-Sep-2004	<b>Renewed:</b> 29-Sep-2019	<b>Bypass:</b>
<b>Shutoffs:</b> (ppp),qqq		

---

<b>Type:</b> DC	<b>Manufacturer:</b> Apollo/Conbraco	<b>Model:</b> 3DCU
<b>Size:</b> 3	<b>Orientation:</b> VUVD	<b>Meters:</b>
<b>Manual:</b> 9	<b>0.25% Pb:</b> No	<b>Spare Parts Only:</b> Yes
<b>Approved:</b> 10-Apr-2001	<b>Renewed:</b> 10-Apr-2022	<b>Bypass:</b>
<b>Shutoffs:</b> (ll),mm		

---

<b>Type:</b> DC	<b>Manufacturer:</b> Apollo/Conbraco	<b>Model:</b> 3DCU
<b>Size:</b> 3	<b>Orientation:</b> VUVD	<b>Meters:</b>
<b>Manual:</b> 9	<b>0.25% Pb:</b> No	<b>Spare Parts Only:</b> Yes
<b>Approved:</b> 10-Apr-2001	<b>Renewed:</b> 10-Apr-2022	<b>Bypass:</b>
<b>Shutoffs:</b> (ll),mm		

---

<b>Type:</b> DC	<b>Manufacturer:</b> Apollo/Conbraco	<b>Model:</b> 40-100-02
<b>Size:</b> 3	<b>Orientation:</b> H	<b>Meters:</b>
<b>Manual:</b> 8	<b>0.25% Pb:</b> No	<b>Spare Parts Only:</b> Yes
<b>Approved:</b> 08-Apr-1991	<b>Renewed:</b> 08-Apr-2021	<b>Bypass:</b>
<b>Shutoffs:</b> tt,bb,ee,ll		

---

<b>Type:</b> DC	<b>Manufacturer:</b> Apollo/Conbraco	<b>Model:</b> 40-100-03
<b>Size:</b> 3	<b>Orientation:</b> H	<b>Meters:</b>
<b>Manual:</b> 8	<b>0.25% Pb:</b> No	<b>Spare Parts Only:</b> Yes
<b>Approved:</b> 08-Apr-1991	<b>Renewed:</b> 08-Apr-2021	<b>Bypass:</b>
<b>Shutoffs:</b> uu,cc,mm		

---

<b>Type:</b> DC	<b>Manufacturer:</b> Apollo/Conbraco	<b>Model:</b> 40-100-05
<b>Size:</b> 3	<b>Orientation:</b> H	<b>Meters:</b>
<b>Manual:</b> 8	<b>0.25% Pb:</b> No	<b>Spare Parts Only:</b> Yes
<b>Approved:</b> 08-Dec-1998	<b>Renewed:</b> 08-Dec-2019	<b>Bypass:</b>
<b>Shutoffs:</b> mmm		

---

<b>Type:</b> DC	<b>Manufacturer:</b> Apollo/Conbraco	<b>Model:</b> 40-103-02
<b>Size:</b> 1/2	<b>Orientation:</b> H	<b>Meters:</b>
<b>Manual:</b> 8	<b>0.25% Pb:</b> No	<b>Spare Parts Only:</b> Yes
<b>Approved:</b> 01-May-1995	<b>Renewed:</b> 01-May-2022	<b>Bypass:</b>
<b>Shutoffs:</b> dd		

<b>Type:</b> DC	<b>Manufacturer:</b> Apollo/Conbraco	<b>Model:</b> 40-104-02
<b>Size:</b> 3/4	<b>Orientation:</b> H	<b>Meters:</b>
<b>Manual:</b> 8	<b>0.25% Pb:</b> No	<b>Spare Parts Only:</b> Yes
<b>Approved:</b> 17-Mar-1989	<b>Renewed:</b> 17-Mar-2022	<b>Bypass:</b>
<b>Shutoffs:</b> dd		

---

<b>Type:</b> DC	<b>Manufacturer:</b> Apollo/Conbraco	<b>Model:</b> 40-104-99T
<b>Size:</b> 3/4	<b>Orientation:</b>	<b>Meters:</b>
<b>Manual:</b>	<b>0.25% Pb:</b> No	<b>Spare Parts Only:</b> No
<b>Approved:</b>	<b>Renewed:</b>	<b>Bypass:</b>
<b>Notes:</b> model designation changed to DC40		

---

<b>Type:</b> DC	<b>Manufacturer:</b> Apollo/Conbraco	<b>Model:</b> 40-104-A2
<b>Size:</b> 3/4	<b>Orientation:</b> H	<b>Meters:</b>
<b>Manual:</b> 8	<b>0.25% Pb:</b> No	<b>Spare Parts Only:</b> Yes
<b>Approved:</b> 21-Jun-1993	<b>Renewed:</b> 21-Jun-2020	<b>Bypass:</b>
<b>Shutoffs:</b> dd		

---

<b>Type:</b> DC	<b>Manufacturer:</b> Apollo/Conbraco	<b>Model:</b> 40-104-A2T
<b>Size:</b> 3/4	<b>Orientation:</b> H	<b>Meters:</b>
<b>Manual:</b> 8	<b>0.25% Pb:</b> No	<b>Spare Parts Only:</b> Yes
<b>Approved:</b> 25-Mar-1992	<b>Renewed:</b> 25-Mar-2022	<b>Bypass:</b>
<b>Shutoffs:</b> dd		

---

<b>Type:</b> DC	<b>Manufacturer:</b> Apollo/Conbraco	<b>Model:</b> 40-104-T2
<b>Size:</b> 3/4	<b>Orientation:</b>	<b>Meters:</b>
<b>Manual:</b>	<b>0.25% Pb:</b> No	<b>Spare Parts Only:</b> No
<b>Approved:</b>	<b>Renewed:</b>	<b>Bypass:</b>
<b>Notes:</b> model designation changed to DC40		

---

<b>Type:</b> DC	<b>Manufacturer:</b> Apollo/Conbraco	<b>Model:</b> 40-104-TC2
<b>Size:</b> 3/4	<b>Orientation:</b>	<b>Meters:</b>
<b>Manual:</b>	<b>0.25% Pb:</b> No	<b>Spare Parts Only:</b> No
<b>Approved:</b>	<b>Renewed:</b>	<b>Bypass:</b>
<b>Notes:</b> model designation changed to DC40		

---

<b>Type:</b> DC	<b>Manufacturer:</b> Apollo/Conbraco	<b>Model:</b> 40-105-02
<b>Size:</b> 1	<b>Orientation:</b> H	<b>Meters:</b>
<b>Manual:</b> 8	<b>0.25% Pb:</b> No	<b>Spare Parts Only:</b> Yes
<b>Approved:</b> 17-Mar-1989	<b>Renewed:</b> 17-Mar-2022	<b>Bypass:</b>
<b>Shutoffs:</b> dd		

**Type:** DC                                 **Manufacturer:** Apollo/Conbraco                 **Model:** 40-105-99T  
**Size:** 1                                   **Orientation:**   **Meters:**  
**Manual:**                                 **0.25% Pb:** No   **Spare Parts Only:** No  
**Approved:**                               **Renewed:**   **Bypass:**  
**Notes:** model designation changed to DC40

---

**Type:** DC                                 **Manufacturer:** Apollo/Conbraco                 **Model:** 40-105-A2  
**Size:** 1                                   **Orientation:** H   **Meters:**  
**Manual:** 8                                 **0.25% Pb:** No   **Spare Parts Only:** Yes  
**Approved:** 21-Jun-1993                 **Renewed:** 21-Jun-2020                               **Bypass:**  
**Shutoffs:** dd

---

**Type:** DC                                 **Manufacturer:** Apollo/Conbraco                 **Model:** 40-105-A2T  
**Size:** 1                                   **Orientation:** H   **Meters:**  
**Manual:** 8                                 **0.25% Pb:** No   **Spare Parts Only:** Yes  
**Approved:** 25-Mar-1992                 **Renewed:** 25-Mar-2022                               **Bypass:**  
**Shutoffs:** dd

---

**Type:** DC                                 **Manufacturer:** Apollo/Conbraco                 **Model:** 40-105-T2  
**Size:** 1                                   **Orientation:**   **Meters:**  
**Manual:**                                 **0.25% Pb:** No   **Spare Parts Only:** No  
**Approved:**                               **Renewed:**   **Bypass:**  
**Notes:** model designation changed to DC40

---

**Type:** DC                                 **Manufacturer:** Apollo/Conbraco                 **Model:** 40-105-TC2  
**Size:** 1                                   **Orientation:**   **Meters:**  
**Manual:**                                 **0.25% Pb:** No   **Spare Parts Only:** No  
**Approved:**                               **Renewed:**   **Bypass:**  
**Notes:** model designation changed to DC40

---

**Type:** DC                                 **Manufacturer:** Apollo/Conbraco                 **Model:** 40-106-02  
**Size:** 1 1/4                               **Orientation:** H   **Meters:**  
**Manual:** 8                                 **0.25% Pb:** No   **Spare Parts Only:** Yes  
**Approved:** 06-Apr-1992                 **Renewed:** 06-Apr-2022                               **Bypass:**  
**Shutoffs:** dd

---

**Type:** DC                                 **Manufacturer:** Apollo/Conbraco                 **Model:** 40-106-99T  
**Size:** 1 1/4                               **Orientation:**   **Meters:**  
**Manual:**                                 **0.25% Pb:** No   **Spare Parts Only:** No  
**Approved:**                               **Renewed:**   **Bypass:**  
**Notes:** model designation changed to DC40



**Type:** DC **Manufacturer:** Apollo/Conbraco **Model:** 40-106-A2  
**Size:** 1 1/4 **Orientation:** H **Meters:**  
**Manual:** 8 **0.25% Pb:** No **Spare Parts Only:** Yes  
**Approved:** 21-Jun-1993 **Renewed:** 21-Jun-2020 **Bypass:**  
**Shutoffs:** dd

---

**Type:** DC **Manufacturer:** Apollo/Conbraco **Model:** 40-106-A2T  
**Size:** 1 1/4 **Orientation:** H **Meters:**  
**Manual:** 8 **0.25% Pb:** No **Spare Parts Only:** Yes  
**Approved:** 22-May-1993 **Renewed:** 22-May-2020 **Bypass:**  
**Shutoffs:** dd

---

**Type:** DC **Manufacturer:** Apollo/Conbraco **Model:** 40-106-T2  
**Size:** 1 1/4 **Orientation:** **Meters:**  
**Manual:** **0.25% Pb:** No **Spare Parts Only:** No  
**Approved:** **Renewed:** **Bypass:**  
**Notes:** model designation changed to DC40

---

**Type:** DC **Manufacturer:** Apollo/Conbraco **Model:** 40-107-02  
**Size:** 1 1/2 **Orientation:** H **Meters:**  
**Manual:** 8 **0.25% Pb:** No **Spare Parts Only:** Yes  
**Approved:** 17-Mar-1989 **Renewed:** 17-Mar-2022 **Bypass:**  
**Shutoffs:** dd

---

**Type:** DC **Manufacturer:** Apollo/Conbraco **Model:** 40-107-99T  
**Size:** 1 1/2 **Orientation:** **Meters:**  
**Manual:** **0.25% Pb:** No **Spare Parts Only:** No  
**Approved:** **Renewed:** **Bypass:**  
**Notes:** model designation changed to DC40

---

**Type:** DC **Manufacturer:** Apollo/Conbraco **Model:** 40-107-A2  
**Size:** 1 1/2 **Orientation:** H **Meters:**  
**Manual:** 8 **0.25% Pb:** No **Spare Parts Only:** Yes  
**Approved:** 22-May-1993 **Renewed:** 22-May-2020 **Bypass:**  
**Shutoffs:** dd

---

**Type:** DC **Manufacturer:** Apollo/Conbraco **Model:** 40-107-A2T  
**Size:** 1 1/2 **Orientation:** H **Meters:**  
**Manual:** 8 **0.25% Pb:** No **Spare Parts Only:** Yes  
**Approved:** 22-May-1993 **Renewed:** 22-May-2020 **Bypass:**  
**Shutoffs:** dd

**Type:** DC                                  **Manufacturer:** Apollo/Conbraco                                  **Model:** 40-107-T2  
**Size:** 1 1/2                                  **Orientation:**                                  **Meters:**  
**Manual:**                                  **0.25% Pb:** No                                  **Spare Parts Only:** No  
**Approved:**                                  **Renewed:**                                  **Bypass:**  
**Notes:** model designation changed to DC40

---

**Type:** DC                                  **Manufacturer:** Apollo/Conbraco                                  **Model:** 40-108-02  
**Size:** 2                                  **Orientation:** H                                  **Meters:**  
**Manual:** 8                                  **0.25% Pb:** No                                  **Spare Parts Only:** Yes  
**Approved:** 17-Mar-1989                                  **Renewed:** 17-Mar-2022                                  **Bypass:**  
**Shutoffs:** dd

---

**Type:** DC                                  **Manufacturer:** Apollo/Conbraco                                  **Model:** 40-108-99T  
**Size:** 2                                  **Orientation:**                                  **Meters:**  
**Manual:**                                  **0.25% Pb:** No                                  **Spare Parts Only:** No  
**Approved:**                                  **Renewed:**                                  **Bypass:**  
**Notes:** model designation changed to DC40

---

**Type:** DC                                  **Manufacturer:** Apollo/Conbraco                                  **Model:** 40-108-A2  
**Size:** 2                                  **Orientation:** H                                  **Meters:**  
**Manual:** 8                                  **0.25% Pb:** No                                  **Spare Parts Only:** Yes  
**Approved:** 22-May-1993                                  **Renewed:** 22-May-2020                                  **Bypass:**  
**Shutoffs:** dd

---

**Type:** DC                                  **Manufacturer:** Apollo/Conbraco                                  **Model:** 40-108-A2T  
**Size:** 2                                  **Orientation:** H                                  **Meters:**  
**Manual:** 8                                  **0.25% Pb:** No                                  **Spare Parts Only:** Yes  
**Approved:** 22-May-1993                                  **Renewed:** 22-May-2020                                  **Bypass:**  
**Shutoffs:** dd

---

**Type:** DC                                  **Manufacturer:** Apollo/Conbraco                                  **Model:** 40-108-T2  
**Size:** 2                                  **Orientation:**                                  **Meters:**  
**Manual:**                                  **0.25% Pb:** No                                  **Spare Parts Only:** No  
**Approved:**                                  **Renewed:**                                  **Bypass:**  
**Notes:** model designation changed to DC40

---

**Type:** DC                                  **Manufacturer:** Apollo/Conbraco                                  **Model:** 40-109-02  
**Size:** 2 1/2                                  **Orientation:** H                                  **Meters:**  
**Manual:** 8                                  **0.25% Pb:** No                                  **Spare Parts Only:** Yes  
**Approved:** 08-Apr-1991                                  **Renewed:** 08-Apr-2021                                  **Bypass:**  
**Shutoffs:** tt,bb,ee,ll

**Type:** DC  
**Size:** 2 1/2  
**Manual:** 8  
**Approved:** 08-Apr-1991  
**Shutoffs:** uu,cc,mm

**Manufacturer:** Apollo/Conbraco  
**Orientation:** H  
**0.25% Pb:** No  
**Renewed:** 08-Apr-2021

**Model:** 40-109-03  
**Meters:**  
**Spare Parts Only:** Yes  
**Bypass:**

---

**Type:** DC  
**Size:** 2 1/2  
**Manual:** 8  
**Approved:** 08-Dec-1998  
**Shutoffs:** mmm

**Manufacturer:** Apollo/Conbraco  
**Orientation:** H  
**0.25% Pb:** No  
**Renewed:** 08-Dec-2019

**Model:** 40-109-05  
**Meters:**  
**Spare Parts Only:** Yes  
**Bypass:**

---

**Type:** DC  
**Size:** 4  
**Manual:** 8  
**Approved:** 08-Apr-1991  
**Shutoffs:** tt,bb,ee,ll

**Manufacturer:** Apollo/Conbraco  
**Orientation:** H  
**0.25% Pb:** No  
**Renewed:** 08-Apr-2021

**Model:** 40-10A-02  
**Meters:**  
**Spare Parts Only:** Yes  
**Bypass:**

---

**Type:** DC  
**Size:** 4  
**Manual:** 8  
**Approved:** 08-Apr-1991  
**Shutoffs:** uu,cc,mm

**Manufacturer:** Apollo/Conbraco  
**Orientation:** H  
**0.25% Pb:** No  
**Renewed:** 08-Apr-2021

**Model:** 40-10A-03  
**Meters:**  
**Spare Parts Only:** Yes  
**Bypass:**

---

**Type:** DC  
**Size:** 4  
**Manual:** 8  
**Approved:** 08-Dec-1998  
**Shutoffs:** mmm

**Manufacturer:** Apollo/Conbraco  
**Orientation:** H  
**0.25% Pb:** No  
**Renewed:** 08-Dec-2019

**Model:** 40-10A-05  
**Meters:**  
**Spare Parts Only:** Yes  
**Bypass:**

---

**Type:** DC  
**Size:** 4  
**Manual:** 8  
**Approved:** 01-Feb-2000  
**Shutoffs:** mm[#1SOV], nnn[#2SOV]

**Manufacturer:** Apollo/Conbraco  
**Orientation:** H  
**0.25% Pb:** No  
**Renewed:** 01-Feb-2021

**Model:** 40-10A-06  
**Meters:**  
**Spare Parts Only:** Yes  
**Bypass:**

---

**Type:** DC  
**Size:** 6  
**Manual:** 8  
**Approved:** 08-Apr-1991  
**Shutoffs:** tt,bb,ee,ll

**Manufacturer:** Apollo/Conbraco  
**Orientation:** H  
**0.25% Pb:** No  
**Renewed:** 08-Apr-2021

**Model:** 40-10C-02  
**Meters:**  
**Spare Parts Only:** Yes  
**Bypass:**

**Type:** DC  
**Size:** 6  
**Manual:** 8  
**Approved:** 08-Apr-1991  
**Shutoffs:** uu,cc,mm  
**Manufacturer:** Apollo/Conbraco  
**Orientation:** H  
**0.25% Pb:** No  
**Renewed:** 08-Apr-2021  
**Model:** 40-10C-03  
**Meters:**  
**Spare Parts Only:** Yes  
**Bypass:**

---

**Type:** DC  
**Size:** 6  
**Manual:** 8  
**Approved:** 08-Dec-1998  
**Shutoffs:** mmm  
**Manufacturer:** Apollo/Conbraco  
**Orientation:** H  
**0.25% Pb:** No  
**Renewed:** 08-Dec-2019  
**Model:** 40-10C-05  
**Meters:**  
**Spare Parts Only:** Yes  
**Bypass:**

---

**Type:** DC  
**Size:** 6  
**Manual:** 8  
**Approved:** 01-Feb-2000  
**Shutoffs:** mm[#1SOV], nnn[#2SOV]  
**Manufacturer:** Apollo/Conbraco  
**Orientation:** H  
**0.25% Pb:** No  
**Renewed:** 01-Feb-2021  
**Model:** 40-10C-06  
**Meters:**  
**Spare Parts Only:** Yes  
**Bypass:**

---

**Type:** DC  
**Size:** 8  
**Manual:** 8  
**Approved:** 22-Oct-1991  
**Shutoffs:** tt,bb,ee,ll  
**Manufacturer:** Apollo/Conbraco  
**Orientation:** H  
**0.25% Pb:** No  
**Renewed:** 22-Oct-2021  
**Model:** 40-10E-02  
**Meters:**  
**Spare Parts Only:** Yes  
**Bypass:**

---

**Type:** DC  
**Size:** 8  
**Manual:** 8  
**Approved:** 22-Oct-1991  
**Shutoffs:** uu,cc,mm  
**Manufacturer:** Apollo/Conbraco  
**Orientation:** H  
**0.25% Pb:** No  
**Renewed:** 22-Oct-2021  
**Model:** 40-10E-03  
**Meters:**  
**Spare Parts Only:** Yes  
**Bypass:**

---

**Type:** DC  
**Size:** 8  
**Manual:** 8  
**Approved:** 01-Feb-2000  
**Shutoffs:** mm[#1SOV], nnn[#2SOV]  
**Manufacturer:** Apollo/Conbraco  
**Orientation:** H  
**0.25% Pb:** No  
**Renewed:** 01-Feb-2021  
**Model:** 40-10E-06  
**Meters:**  
**Spare Parts Only:** Yes  
**Bypass:**

---

**Type:** DC  
**Size:** 10  
**Manual:** 8  
**Approved:** 13-Apr-1993  
**Shutoffs:** tt,bb,ee,ll  
**Manufacturer:** Apollo/Conbraco  
**Orientation:** H  
**0.25% Pb:** No  
**Renewed:** 13-Apr-2020  
**Model:** 40-10G-02  
**Meters:**  
**Spare Parts Only:** Yes  
**Bypass:**

---

<b>Type:</b> DC	<b>Manufacturer:</b> Apollo/Conbraco	<b>Model:</b> 40-10G-03
<b>Size:</b> 10	<b>Orientation:</b> H	<b>Meters:</b>
<b>Manual:</b> 8	<b>0.25% Pb:</b> No	<b>Spare Parts Only:</b> Yes
<b>Approved:</b> 13-Apr-1993	<b>Renewed:</b> 13-Apr-2020	<b>Bypass:</b>
<b>Shutoffs:</b> uu,cc,mm		

---

<b>Type:</b> DC	<b>Manufacturer:</b> Apollo/Conbraco	<b>Model:</b> 40-10G-06
<b>Size:</b> 10	<b>Orientation:</b> H	<b>Meters:</b>
<b>Manual:</b> 8	<b>0.25% Pb:</b> No	<b>Spare Parts Only:</b> Yes
<b>Approved:</b> 01-Feb-2000	<b>Renewed:</b> 01-Feb-2021	<b>Bypass:</b>
<b>Shutoffs:</b> mm[#1SOV], nnn[#2SOV]		

---

<b>Type:</b> DC	<b>Manufacturer:</b> Apollo/Conbraco	<b>Model:</b> 4D-100
<b>Size:</b> 2 1/2	<b>Orientation:</b> H	<b>Meters:</b>
<b>Manual:</b> 9	<b>0.25% Pb:</b> No	<b>Spare Parts Only:</b> Yes
<b>Approved:</b> 11-Mar-2012	<b>Renewed:</b> 11-Mar-2021	<b>Bypass:</b>
<b>Shutoffs:</b> (yyy), cccc, dddd		

---

<b>Type:</b> DC	<b>Manufacturer:</b> Apollo/Conbraco	<b>Model:</b> 4D-100
<b>Size:</b> 2 1/2	<b>Orientation:</b> VU	<b>Meters:</b>
<b>Manual:</b> 9	<b>0.25% Pb:</b> No	<b>Spare Parts Only:</b> Yes
<b>Approved:</b> 11-Mar-2009	<b>Renewed:</b> 11-Mar-2021	<b>Bypass:</b>
<b>Shutoffs:</b> (yyy), cccc, dddd		

---

<b>Type:</b> DC	<b>Manufacturer:</b> Apollo/Conbraco	<b>Model:</b> 4D-100
<b>Size:</b> 3	<b>Orientation:</b> H	<b>Meters:</b>
<b>Manual:</b> 9	<b>0.25% Pb:</b> No	<b>Spare Parts Only:</b> Yes
<b>Approved:</b> 11-Mar-2009	<b>Renewed:</b> 11-Mar-2021	<b>Bypass:</b>
<b>Shutoffs:</b> (yyy), cccc, dddd		

---

<b>Type:</b> DC	<b>Manufacturer:</b> Apollo/Conbraco	<b>Model:</b> 4D-100
<b>Size:</b> 3	<b>Orientation:</b> VU	<b>Meters:</b>
<b>Manual:</b> 9	<b>0.25% Pb:</b> No	<b>Spare Parts Only:</b> Yes
<b>Approved:</b> 11-Mar-2009	<b>Renewed:</b> 11-Mar-2021	<b>Bypass:</b>
<b>Shutoffs:</b> (yyy), cccc, dddd		

---

<b>Type:</b> DC	<b>Manufacturer:</b> Apollo/Conbraco	<b>Model:</b> 4D-100
<b>Size:</b> 4	<b>Orientation:</b> H	<b>Meters:</b>
<b>Manual:</b> 9	<b>0.25% Pb:</b> No	<b>Spare Parts Only:</b> Yes
<b>Approved:</b> 11-Mar-2009	<b>Renewed:</b> 11-Mar-2021	<b>Bypass:</b>
<b>Shutoffs:</b> (yyy), cccc, dddd		

---

**Type:** DC                                    **Manufacturer:** Apollo/Conbraco                                    **Model:** 4D-100  
**Size:** 4    **Orientation:** VU    **Meters:**  
**Manual:** 9    **0.25% Pb:** No    **Spare Parts Only:** Yes  
**Approved:** 11-Mar-2009    **Renewed:** 11-Mar-2021    **Bypass:**  
**Shutoffs:** (yyy), cccc, dddd

---

**Type:** DC                                    **Manufacturer:** Apollo/Conbraco                                    **Model:** 4D-100U  
**Size:** 2 1/2    **Orientation:** VUVD    **Meters:**  
**Manual:** 9    **0.25% Pb:** No    **Spare Parts Only:** Yes  
**Approved:** 11-Mar-2009    **Renewed:** 11-Mar-2021    **Bypass:**  
**Shutoffs:** (yyy), cccc, dddd

---

**Type:** DC                                    **Manufacturer:** Apollo/Conbraco                                    **Model:** 4D-100U  
**Size:** 3    **Orientation:** VUVD    **Meters:**  
**Manual:** 9    **0.25% Pb:** No    **Spare Parts Only:** Yes  
**Approved:** 11-Mar-2009    **Renewed:** 11-Mar-2021    **Bypass:**  
**Shutoffs:** (yyy), cccc, dddd

---

**Type:** DC                                    **Manufacturer:** Apollo/Conbraco                                    **Model:** 4D-100U  
**Size:** 4    **Orientation:** VUVD    **Meters:**  
**Manual:** 9    **0.25% Pb:** No    **Spare Parts Only:** Yes  
**Approved:** 11-Mar-2009    **Renewed:** 11-Mar-2021    **Bypass:**  
**Shutoffs:** (yyy), cccc, dddd

---

**Type:** DC                                    **Manufacturer:** Apollo/Conbraco                                    **Model:** 4DC  
**Size:** 4    **Orientation:** H    **Meters:**  
**Manual:** 9    **0.25% Pb:** No    **Spare Parts Only:** Yes  
**Approved:** 16-Oct-2000    **Renewed:** 16-Oct-2021    **Bypass:**  
**Shutoffs:** (ll),mm

---

**Type:** DC                                    **Manufacturer:** Apollo/Conbraco                                    **Model:** 4DC  
**Size:** 4    **Orientation:** VU    **Meters:**  
**Manual:** 9    **0.25% Pb:** No    **Spare Parts Only:** Yes  
**Approved:** 16-Oct-2000    **Renewed:** 16-Oct-2021    **Bypass:**  
**Shutoffs:** (ll),mm

---

**Type:** DC                                    **Manufacturer:** Apollo/Conbraco                                    **Model:** 4DC7  
**Size:** 4    **Orientation:** H    **Meters:**  
**Manual:** 9    **0.25% Pb:** No    **Spare Parts Only:** Yes  
**Approved:** 23-Oct-2001    **Renewed:** 23-Oct-2019    **Bypass:**  
**Shutoffs:** (mm)[#1SOV], (qqq)[#2SOV]

**Type:** DC                                   **Manufacturer:** Apollo/Conbraco                                   **Model:** 4DC7  
**Size:** 4                                   **Orientation:** VU                                   **Meters:**  
**Manual:** 9                                   **0.25% Pb:** No                                   **Spare Parts Only:** Yes  
**Approved:** 23-Oct-2001                                   **Renewed:** 23-Oct-2019                                   **Bypass:**  
**Shutoffs:** (mm)[#1SOV], (qqq)[#2SOV]

---

**Type:** DC                                   **Manufacturer:** Apollo/Conbraco                                   **Model:** 4DC8  
**Size:** 4                                   **Orientation:** H                                   **Meters:**  
**Manual:** 9                                   **0.25% Pb:** No                                   **Spare Parts Only:** Yes  
**Approved:** 29-Sep-2004                                   **Renewed:** 29-Sep-2019                                   **Bypass:**  
**Shutoffs:** (ppp),qqq

---

**Type:** DC                                   **Manufacturer:** Apollo/Conbraco                                   **Model:** 4DC8  
**Size:** 4                                   **Orientation:** VU                                   **Meters:**  
**Manual:** 9                                   **0.25% Pb:** No                                   **Spare Parts Only:** Yes  
**Approved:** 29-Sep-2004                                   **Renewed:** 29-Sep-2019                                   **Bypass:**  
**Shutoffs:** (ppp),qqq

---

**Type:** DC                                   **Manufacturer:** Apollo/Conbraco                                   **Model:** 4DCU  
**Size:** 4                                   **Orientation:** VUVD                                   **Meters:**  
**Manual:** 9                                   **0.25% Pb:** No                                   **Spare Parts Only:** Yes  
**Approved:** 10-Apr-2001                                   **Renewed:** 10-Apr-2022                                   **Bypass:**  
**Shutoffs:** (ll),mm

---

**Type:** DC                                   **Manufacturer:** Apollo/Conbraco                                   **Model:** 4S103  
**Size:** 1/2                                   **Orientation:**                                   **Meters:**  
**Manual:**                                   **0.25% Pb:** No                                   **Spare Parts Only:** No  
**Approved:**                                   **Renewed:**                                   **Bypass:**  
**Notes:** model designation changed to W432100

---

**Type:** DC                                   **Manufacturer:** Apollo/Conbraco                                   **Model:** 4S103  
**Size:** 1/2                                   **Orientation:**                                   **Meters:**  
**Manual:**                                   **0.25% Pb:** No                                   **Spare Parts Only:** No  
**Approved:**                                   **Renewed:**                                   **Bypass:**  
**Notes:** model designation changed to W432100

---

**Type:** DC                                   **Manufacturer:** Apollo/Conbraco                                   **Model:** 4SG-100  
**Size:** 2 1/2                                   **Orientation:**                                   **Meters:**  
**Manual:**                                   **0.25% Pb:** No                                   **Spare Parts Only:** No  
**Approved:**                                   **Renewed:**                                   **Bypass:**  
**Notes:** model designation changed to DC4SG

**Type:** DC    **Manufacturer:** Apollo/Conbraco    **Model:** 4SG-100  
**Size:** 2 1/2    **Orientation:**    **Meters:**  
**Manual:**    **0.25% Pb:** No    **Spare Parts Only:** No  
**Approved:**    **Renewed:**    **Bypass:**  
**Notes:** model designation changed to DC4SG

---

**Type:** DC    **Manufacturer:** Apollo/Conbraco    **Model:** 4SG-100  
**Size:** 3    **Orientation:**    **Meters:**  
**Manual:**    **0.25% Pb:** No    **Spare Parts Only:** No  
**Approved:**    **Renewed:**    **Bypass:**  
**Notes:** model designation changed to DC4SG

---

**Type:** DC    **Manufacturer:** Apollo/Conbraco    **Model:** 4SG-100  
**Size:** 3    **Orientation:**    **Meters:**  
**Manual:**    **0.25% Pb:** No    **Spare Parts Only:** No  
**Approved:**    **Renewed:**    **Bypass:**  
**Notes:** model designation changed to DC4SG

---

**Type:** DC    **Manufacturer:** Apollo/Conbraco    **Model:** 4SG-100  
**Size:** 4    **Orientation:**    **Meters:**  
**Manual:**    **0.25% Pb:** No    **Spare Parts Only:** No  
**Approved:**    **Renewed:**    **Bypass:**  
**Notes:** model designation changed to DC4SG

---

**Type:** DC    **Manufacturer:** Apollo/Conbraco    **Model:** 4SG-100  
**Size:** 4    **Orientation:**    **Meters:**  
**Manual:**    **0.25% Pb:** No    **Spare Parts Only:** No  
**Approved:**    **Renewed:**    **Bypass:**  
**Notes:** model designation changed to DC4SG

---

**Type:** DC    **Manufacturer:** Apollo/Conbraco    **Model:** 4SG-100  
**Size:** 6    **Orientation:**    **Meters:**  
**Manual:**    **0.25% Pb:** No    **Spare Parts Only:** No  
**Approved:**    **Renewed:**    **Bypass:**  
**Notes:** model designation changed to DC4SG

---

**Type:** DC    **Manufacturer:** Apollo/Conbraco    **Model:** 4SG-100  
**Size:** 6    **Orientation:**    **Meters:**  
**Manual:**    **0.25% Pb:** No    **Spare Parts Only:** No  
**Approved:**    **Renewed:**    **Bypass:**  
**Notes:** model designation changed to DC4SG

---



**Type:** DC                                    **Manufacturer:** Apollo/Conbraco                    **Model:** 4SG-100  
**Size:** 8                                      **Orientation:**    **Meters:**  
**Manual:**                                    **0.25% Pb:** No    **Spare Parts Only:** No  
**Approved:**                                    **Renewed:**    **Bypass:**  
**Notes:** model designation changed to DC4SG

---

**Type:** DC                                    **Manufacturer:** Apollo/Conbraco                    **Model:** 4SG-100  
**Size:** 8                                      **Orientation:**    **Meters:**  
**Manual:**                                    **0.25% Pb:** No    **Spare Parts Only:** No  
**Approved:**                                    **Renewed:**    **Bypass:**  
**Notes:** model designation changed to DC4SG

---

**Type:** DC                                    **Manufacturer:** Apollo/Conbraco                    **Model:** 4SG-100U  
**Size:** 2 1/2                                **Orientation:**    **Meters:**  
**Manual:**                                    **0.25% Pb:** No    **Spare Parts Only:** No  
**Approved:**                                    **Renewed:**    **Bypass:**  
**Notes:** model designation changed to DC4SGN

---

**Type:** DC                                    **Manufacturer:** Apollo/Conbraco                    **Model:** 4SG-100U  
**Size:** 3                                        **Orientation:**    **Meters:**  
**Manual:**                                    **0.25% Pb:** No    **Spare Parts Only:** No  
**Approved:**                                    **Renewed:**    **Bypass:**  
**Notes:** model designation changed to DC4SGN

---

**Type:** DC                                    **Manufacturer:** Apollo/Conbraco                    **Model:** 4SG-100U  
**Size:** 4                                        **Orientation:**    **Meters:**  
**Manual:**                                    **0.25% Pb:** No    **Spare Parts Only:** No  
**Approved:**                                    **Renewed:**    **Bypass:**  
**Notes:** model designation changed to DC4SGN

---

**Type:** DC                                    **Manufacturer:** Apollo/Conbraco                    **Model:** 4SG-100U  
**Size:** 6                                        **Orientation:**    **Meters:**  
**Manual:**                                    **0.25% Pb:** No    **Spare Parts Only:** No  
**Approved:**                                    **Renewed:**    **Bypass:**  
**Notes:** model designation changed to DC4SGN

---

**Type:** DC                                    **Manufacturer:** Apollo/Conbraco                    **Model:** 4SG-100U  
**Size:** 8                                        **Orientation:**    **Meters:**  
**Manual:**                                    **0.25% Pb:** No    **Spare Parts Only:** No  
**Approved:**                                    **Renewed:**    **Bypass:**  
**Notes:** model designation changed to DC4SGN

<b>Type:</b> DC	<b>Manufacturer:</b> Apollo/Conbraco	<b>Model:</b> 6DC
<b>Size:</b> 6	<b>Orientation:</b> H	<b>Meters:</b>
<b>Manual:</b> 9	<b>0.25% Pb:</b> No	<b>Spare Parts Only:</b> Yes
<b>Approved:</b> 16-Oct-2000	<b>Renewed:</b> 16-Oct-2021	<b>Bypass:</b>
<b>Shutoffs:</b> (ll),mm		

---

<b>Type:</b> DC	<b>Manufacturer:</b> Apollo/Conbraco	<b>Model:</b> 6DC
<b>Size:</b> 6	<b>Orientation:</b> VU	<b>Meters:</b>
<b>Manual:</b> 9	<b>0.25% Pb:</b> No	<b>Spare Parts Only:</b> Yes
<b>Approved:</b> 16-Oct-2000	<b>Renewed:</b> 16-Oct-2021	<b>Bypass:</b>
<b>Shutoffs:</b> (ll),mm		

---

<b>Type:</b> DC	<b>Manufacturer:</b> Apollo/Conbraco	<b>Model:</b> 6DC7
<b>Size:</b> 6	<b>Orientation:</b> H	<b>Meters:</b>
<b>Manual:</b> 9	<b>0.25% Pb:</b> No	<b>Spare Parts Only:</b> Yes
<b>Approved:</b> 23-Oct-2001	<b>Renewed:</b> 23-Oct-2019	<b>Bypass:</b>
<b>Shutoffs:</b> (mm)[#1SOV], (qqq)[#2SOV]		

---

<b>Type:</b> DC	<b>Manufacturer:</b> Apollo/Conbraco	<b>Model:</b> 6DC7
<b>Size:</b> 6	<b>Orientation:</b> VU	<b>Meters:</b>
<b>Manual:</b> 9	<b>0.25% Pb:</b> No	<b>Spare Parts Only:</b> Yes
<b>Approved:</b> 23-Oct-2001	<b>Renewed:</b> 23-Oct-2019	<b>Bypass:</b>
<b>Shutoffs:</b> (mm)[#1SOV], (qqq)[#2SOV]		

---

<b>Type:</b> DC	<b>Manufacturer:</b> Apollo/Conbraco	<b>Model:</b> 6DC8
<b>Size:</b> 6	<b>Orientation:</b> H	<b>Meters:</b>
<b>Manual:</b> 9	<b>0.25% Pb:</b> No	<b>Spare Parts Only:</b> Yes
<b>Approved:</b> 29-Sep-2004	<b>Renewed:</b> 29-Sep-2019	<b>Bypass:</b>
<b>Shutoffs:</b> (ppp),qqq		

---

<b>Type:</b> DC	<b>Manufacturer:</b> Apollo/Conbraco	<b>Model:</b> 6DC8
<b>Size:</b> 6	<b>Orientation:</b> VU	<b>Meters:</b>
<b>Manual:</b> 9	<b>0.25% Pb:</b> No	<b>Spare Parts Only:</b> Yes
<b>Approved:</b> 29-Sep-2004	<b>Renewed:</b> 29-Sep-2019	<b>Bypass:</b>
<b>Shutoffs:</b> (ppp),qqq		

---

<b>Type:</b> DC	<b>Manufacturer:</b> Apollo/Conbraco	<b>Model:</b> 6DCU
<b>Size:</b> 6	<b>Orientation:</b> VUVD	<b>Meters:</b>
<b>Manual:</b> 9	<b>0.25% Pb:</b> No	<b>Spare Parts Only:</b> Yes
<b>Approved:</b> 10-Apr-2001	<b>Renewed:</b> 10-Apr-2022	<b>Bypass:</b>
<b>Shutoffs:</b> (ll),mm		

<b>Type:</b> DC	<b>Manufacturer:</b> Apollo/Conbraco	<b>Model:</b> 8DC
<b>Size:</b> 8	<b>Orientation:</b> H	<b>Meters:</b>
<b>Manual:</b> 9	<b>0.25% Pb:</b> No	<b>Spare Parts Only:</b> Yes
<b>Approved:</b> 16-Jan-2003	<b>Renewed:</b> 16-Jan-2021	<b>Bypass:</b>
<b>Shutoffs:</b> (mm),ll		

---

<b>Type:</b> DC	<b>Manufacturer:</b> Apollo/Conbraco	<b>Model:</b> 8DC
<b>Size:</b> 8	<b>Orientation:</b> VU	<b>Meters:</b>
<b>Manual:</b> 9	<b>0.25% Pb:</b> No	<b>Spare Parts Only:</b> Yes
<b>Approved:</b> 16-Jan-2003	<b>Renewed:</b> 16-Jan-2021	<b>Bypass:</b>
<b>Shutoffs:</b> (mm),ll		

---

<b>Type:</b> DC	<b>Manufacturer:</b> Apollo/Conbraco	<b>Model:</b> 8DC8
<b>Size:</b> 8	<b>Orientation:</b> H	<b>Meters:</b>
<b>Manual:</b> 9	<b>0.25% Pb:</b> No	<b>Spare Parts Only:</b> Yes
<b>Approved:</b> 29-Sep-2004	<b>Renewed:</b> 29-Sep-2019	<b>Bypass:</b>
<b>Shutoffs:</b> (ppp),qqq		

---

<b>Type:</b> DC	<b>Manufacturer:</b> Apollo/Conbraco	<b>Model:</b> 8DC8
<b>Size:</b> 8	<b>Orientation:</b> VU	<b>Meters:</b>
<b>Manual:</b> 9	<b>0.25% Pb:</b> No	<b>Spare Parts Only:</b> Yes
<b>Approved:</b> 29-Sep-2004	<b>Renewed:</b> 29-Sep-2019	<b>Bypass:</b>
<b>Shutoffs:</b> (ppp),qqq		

---

<b>Type:</b> DC	<b>Manufacturer:</b> Apollo/Conbraco	<b>Model:</b> DC40
<b>Size:</b> 3/4	<b>Orientation:</b> H	<b>Meters:</b>
<b>Manual:</b> 8	<b>0.25% Pb:</b> No	<b>Spare Parts Only:</b> Yes
<b>Approved:</b> 27-Jun-1996	<b>Renewed:</b> 27-Jun-2020	<b>Bypass:</b>
<b>Shutoffs:</b> (dd)		
<b>Notes:</b> formerly 40-104-99T, 40-104-T2, 40-104-TC2		

---

<b>Type:</b> DC	<b>Manufacturer:</b> Apollo/Conbraco	<b>Model:</b> DC40
<b>Size:</b> 1	<b>Orientation:</b> H	<b>Meters:</b>
<b>Manual:</b> 8	<b>0.25% Pb:</b> No	<b>Spare Parts Only:</b> Yes
<b>Approved:</b> 27-Jun-1996	<b>Renewed:</b> 27-Jun-2020	<b>Bypass:</b>
<b>Shutoffs:</b> (dd)		
<b>Notes:</b> formerly 40-105-99T, 40-105-T2, 40-105-TC2		

**Type:** DC                                   **Manufacturer:** Apollo/Conbraco                   **Model:** DC40  
**Size:** 1 1/4                               **Orientation:** H                                     **Meters:**  
**Manual:** 8                                  **0.25% Pb:** No                                   **Spare Parts Only:** Yes  
**Approved:** 09-Oct-1996               **Renewed:** 09-Oct-2020                       **Bypass:**  
**Shutoffs:** (dd)  
**Notes:** formerly 40-106-99T, 40-106-T2

---

**Type:** DC                                   **Manufacturer:** Apollo/Conbraco                   **Model:** DC40  
**Size:** 1 1/2                               **Orientation:** H                                     **Meters:**  
**Manual:** 8                                  **0.25% Pb:** No                                   **Spare Parts Only:** Yes  
**Approved:** 09-Oct-1996               **Renewed:** 09-Oct-2020                       **Bypass:**  
**Shutoffs:** (dd)  
**Notes:** formerly 40-107-99T, 40-107-T2

---

**Type:** DC                                   **Manufacturer:** Apollo/Conbraco                   **Model:** DC40  
**Size:** 2                                   **Orientation:** H                                     **Meters:**  
**Manual:** 8                                  **0.25% Pb:** No                                   **Spare Parts Only:** Yes  
**Approved:** 09-Oct-1996               **Renewed:** 09-Oct-2020                       **Bypass:**  
**Shutoffs:** (dd)  
**Notes:** formerly 40-108-99T, 40-108-T2

---

**Type:** DC                                   **Manufacturer:** Apollo/Conbraco                   **Model:** DC4A  
**Size:** 1/2                                  **Orientation:** H                                     **Meters:**  
**Manual:** 9                                  **0.25% Pb:** No                                   **Spare Parts Only:** No  
**Approved:** 27-Apr-2011               **Renewed:** 27-Apr-2020                       **Bypass:**  
**Shutoffs:** (iiii),sssss

---

**Type:** DC                                   **Manufacturer:** Apollo/Conbraco                   **Model:** DC4A  
**Size:** 1/2                                  **Orientation:** VU                                   **Meters:**  
**Manual:** 9                                  **0.25% Pb:** No                                   **Spare Parts Only:** No  
**Approved:** 27-Apr-2011               **Renewed:** 27-Apr-2020                       **Bypass:**  
**Shutoffs:** (iiii),sssss

---

**Type:** DC                                   **Manufacturer:** Apollo/Conbraco                   **Model:** DC4A  
**Size:** 3/4                                  **Orientation:** H                                     **Meters:**  
**Manual:** 9                                  **0.25% Pb:** No                                   **Spare Parts Only:** No  
**Approved:** 27-Apr-2011               **Renewed:** 27-Apr-2020                       **Bypass:**  
**Shutoffs:** (iiii),sssss

**Type:** DC  
**Size:** 3/4  
**Manual:** 9  
**Approved:** 06-Apr-2011  
**Shutoffs:** (iiii),sssss

**Manufacturer:** Apollo/Conbraco  
**Orientation:** VU  
**0.25% Pb:** No  
**Renewed:** 06-Apr-2020

**Model:** DC4A  
**Meters:**  
**Spare Parts Only:** No  
**Bypass:**

---

**Type:** DC  
**Size:** 1  
**Manual:** 9  
**Approved:** 27-Sep-2011  
**Shutoffs:** (iiii),sssss,wwwww

**Manufacturer:** Apollo/Conbraco  
**Orientation:** H  
**0.25% Pb:** No  
**Renewed:** 27-Sep-2020

**Model:** DC4A  
**Meters:**  
**Spare Parts Only:** No  
**Bypass:**

---

**Type:** DC  
**Size:** 1  
**Manual:** 9  
**Approved:** 06-Apr-2011  
**Shutoffs:** (iiii),sssss,wwwww

**Manufacturer:** Apollo/Conbraco  
**Orientation:** VU  
**0.25% Pb:** No  
**Renewed:** 06-Apr-2020

**Model:** DC4A  
**Meters:**  
**Spare Parts Only:** No  
**Bypass:**

---

**Type:** DC  
**Size:** 1 1/4  
**Manual:** 9  
**Approved:** 07-Feb-2012  
**Shutoffs:** (iiii),sssss,wwwww

**Manufacturer:** Apollo/Conbraco  
**Orientation:** H  
**0.25% Pb:** No  
**Renewed:** 07-Feb-2021

**Model:** DC4A  
**Meters:**  
**Spare Parts Only:** No  
**Bypass:**

---

**Type:** DC  
**Size:** 1 1/4  
**Manual:** 9  
**Approved:** 07-Feb-2012  
**Shutoffs:** (iiii),sssss,wwwww

**Manufacturer:** Apollo/Conbraco  
**Orientation:** VU  
**0.25% Pb:** No  
**Renewed:** 07-Feb-2021

**Model:** DC4A  
**Meters:**  
**Spare Parts Only:** No  
**Bypass:**

---

**Type:** DC  
**Size:** 1 1/2  
**Manual:** 9  
**Approved:** 07-Feb-2012  
**Shutoffs:** (iiii),sssss,wwwww

**Manufacturer:** Apollo/Conbraco  
**Orientation:** H  
**0.25% Pb:** No  
**Renewed:** 07-Feb-2021

**Model:** DC4A  
**Meters:**  
**Spare Parts Only:** No  
**Bypass:**

---

**Type:** DC  
**Size:** 1 1/2  
**Manual:** 9  
**Approved:** 07-Feb-2012  
**Shutoffs:** (iiii),sssss,wwwww

**Manufacturer:** Apollo/Conbraco  
**Orientation:** VU  
**0.25% Pb:** No  
**Renewed:** 07-Feb-2021

**Model:** DC4A  
**Meters:**  
**Spare Parts Only:** No  
**Bypass:**

**Type:** DC                                      **Manufacturer:** Apollo/Conbraco                                      **Model:** DC4A  
**Size:** 2    **Orientation:** H    **Meters:**  
**Manual:** 9    **0.25% Pb:** No    **Spare Parts Only:** No  
**Approved:** 07-Feb-2012    **Renewed:** 07-Feb-2021    **Bypass:**  
**Shutoffs:** (iiii),sssss,wwwww

---

**Type:** DC                                      **Manufacturer:** Apollo/Conbraco                                      **Model:** DC4A  
**Size:** 2    **Orientation:** VU    **Meters:**  
**Manual:** 9    **0.25% Pb:** No    **Spare Parts Only:** No  
**Approved:** 27-Mar-2012    **Renewed:** 27-Mar-2021    **Bypass:**  
**Shutoffs:** (iiii),sssss,wwwww

---

**Type:** DC                                      **Manufacturer:** Apollo/Conbraco                                      **Model:** DC4AY  
**Size:** 3/4    **Orientation:** H    **Meters:**  
**Manual:** 10    **0.25% Pb:** No    **Spare Parts Only:** No  
**Approved:** 16-Jan-2019    **Renewed:** 16-Jan-2022    **Bypass:**  
**Shutoffs:** (sssss)

**Notes:** body axis oriented with test cocks pointing up and nameplate on the top surface

---

**Type:** DC                                      **Manufacturer:** Apollo/Conbraco                                      **Model:** DC4AY  
**Size:** 3/4    **Orientation:** VU    **Meters:**  
**Manual:** 10    **0.25% Pb:** No    **Spare Parts Only:** No  
**Approved:** 24-Oct-2018    **Renewed:** 24-Oct-2021    **Bypass:**  
**Shutoffs:** (sssss)

---

**Type:** DC                                      **Manufacturer:** Apollo/Conbraco                                      **Model:** DC4AY  
**Size:** 1    **Orientation:** H    **Meters:**  
**Manual:** 10    **0.25% Pb:** No    **Spare Parts Only:** No  
**Approved:** 16-Jan-2019    **Renewed:** 16-Jan-2022    **Bypass:**  
**Shutoffs:** (sssss)

**Notes:** body axis oriented with test cocks pointing up and nameplate on the top surface

---

**Type:** DC                                      **Manufacturer:** Apollo/Conbraco                                      **Model:** DC4AY  
**Size:** 1    **Orientation:** VU    **Meters:**  
**Manual:** 10    **0.25% Pb:** No    **Spare Parts Only:** No  
**Approved:** 24-Oct-2018    **Renewed:** 24-Oct-2021    **Bypass:**  
**Shutoffs:** (sssss)

---

<b>Type:</b> DC	<b>Manufacturer:</b> Apollo/Conbraco	<b>Model:</b> DC4S
<b>Size:</b> 1/2	<b>Orientation:</b> H	<b>Meters:</b>
<b>Manual:</b> 9	<b>0.25% Pb:</b> No	<b>Spare Parts Only:</b> Yes
<b>Approved:</b> 18-Sep-2000	<b>Renewed:</b> 18-Sep-2021	<b>Bypass:</b>
<b>Shutoffs:</b> (dd)		
<b>Notes:</b> formerly 1/2DC		

---

<b>Type:</b> DC	<b>Manufacturer:</b> Apollo/Conbraco	<b>Model:</b> DC4S
<b>Size:</b> 1/2	<b>Orientation:</b> VU	<b>Meters:</b>
<b>Manual:</b> 9	<b>0.25% Pb:</b> No	<b>Spare Parts Only:</b> Yes
<b>Approved:</b> 18-Sep-2000	<b>Renewed:</b> 18-Sep-2021	<b>Bypass:</b>
<b>Shutoffs:</b> (dd)		
<b>Notes:</b> formerly 1/2DC		

---

<b>Type:</b> DC	<b>Manufacturer:</b> Apollo/Conbraco	<b>Model:</b> DC4S
<b>Size:</b> 10	<b>Orientation:</b> H	<b>Meters:</b>
<b>Manual:</b> 9	<b>0.25% Pb:</b> No	<b>Spare Parts Only:</b> No
<b>Approved:</b> 16-Jan-2003	<b>Renewed:</b> 16-Jan-2021	<b>Bypass:</b>
<b>Shutoffs:</b> (mm),ll, xxxxx, zzzzz, bbbbbb, cccccc		
<b>Notes:</b> formerly 10DC		

---

<b>Type:</b> DC	<b>Manufacturer:</b> Apollo/Conbraco	<b>Model:</b> DC4S
<b>Size:</b> 10	<b>Orientation:</b> VU	<b>Meters:</b>
<b>Manual:</b> 9	<b>0.25% Pb:</b> No	<b>Spare Parts Only:</b> No
<b>Approved:</b> 16-Jan-2003	<b>Renewed:</b> 16-Jan-2021	<b>Bypass:</b>
<b>Shutoffs:</b> (mm),ll, xxxxx, zzzzz, bbbbbb, cccccc		
<b>Notes:</b> formerly 10DC		

---

<b>Type:</b> DC	<b>Manufacturer:</b> Apollo/Conbraco	<b>Model:</b> DC4SG
<b>Size:</b> 2 1/2	<b>Orientation:</b> H	<b>Meters:</b>
<b>Manual:</b> 9	<b>0.25% Pb:</b> No	<b>Spare Parts Only:</b> No
<b>Approved:</b> 18-Oct-2007	<b>Renewed:</b> 18-Oct-2019	<b>Bypass:</b>
<b>Shutoffs:</b> (yyy)ppp,qqq,ttt, xxxxxx		
<b>Notes:</b> formerly 4SG-100		

---

<b>Type:</b> DC	<b>Manufacturer:</b> Apollo/Conbraco	<b>Model:</b> DC4SG
<b>Size:</b> 2 1/2	<b>Orientation:</b> VU	<b>Meters:</b>
<b>Manual:</b> 9	<b>0.25% Pb:</b> No	<b>Spare Parts Only:</b> No
<b>Approved:</b> 18-Oct-2007	<b>Renewed:</b> 18-Oct-2019	<b>Bypass:</b>
<b>Shutoffs:</b> (yyy)ppp,qqq,ttt, xxxxxx		
<b>Notes:</b> formerly 4SG-100		

**Type:** DC                                   **Manufacturer:** Apollo/Conbraco                                   **Model:** DC4SG  
**Size:** 3                                   **Orientation:** H                                   **Meters:**  
**Manual:** 9                                   **0.25% Pb:** No                                   **Spare Parts Only:** No  
**Approved:** 25-Sep-2007                                   **Renewed:** 25-Sep-2019                                   **Bypass:**  
**Shutoffs:** (yyy)ppp,qqq,ttt, xxxxxx  
**Notes:** formerly 4SG-100

---

**Type:** DC                                   **Manufacturer:** Apollo/Conbraco                                   **Model:** DC4SG  
**Size:** 3                                   **Orientation:** VU                                   **Meters:**  
**Manual:** 9                                   **0.25% Pb:** No                                   **Spare Parts Only:** No  
**Approved:** 25-Sep-2007                                   **Renewed:** 25-Sep-2019                                   **Bypass:**  
**Shutoffs:** (yyy)ppp,qqq,ttt, xxxxxx  
**Notes:** formerly 4SG-100

---

**Type:** DC                                   **Manufacturer:** Apollo/Conbraco                                   **Model:** DC4SG  
**Size:** 4                                   **Orientation:** H                                   **Meters:**  
**Manual:** 9                                   **0.25% Pb:** No                                   **Spare Parts Only:** No  
**Approved:** 25-Sep-2007                                   **Renewed:** 25-Sep-2019                                   **Bypass:**  
**Shutoffs:** (yyy)ppp,qqq,ttt, xxxxxx  
**Notes:** formerly 4SG-100

---

**Type:** DC                                   **Manufacturer:** Apollo/Conbraco                                   **Model:** DC4SG  
**Size:** 4                                   **Orientation:** VU                                   **Meters:**  
**Manual:** 9                                   **0.25% Pb:** No                                   **Spare Parts Only:** No  
**Approved:** 25-Sep-2007                                   **Renewed:** 25-Sep-2019                                   **Bypass:**  
**Shutoffs:** (yyy)ppp,qqq,ttt, xxxxxx  
**Notes:** formerly 4SG-100

---

**Type:** DC                                   **Manufacturer:** Apollo/Conbraco                                   **Model:** DC4SG  
**Size:** 6                                   **Orientation:** H                                   **Meters:**  
**Manual:** 9                                   **0.25% Pb:** No                                   **Spare Parts Only:** No  
**Approved:** 25-Sep-2007                                   **Renewed:** 25-Sep-2019                                   **Bypass:**  
**Shutoffs:** (yyy)ppp,qqq,ttt, xxxxxx  
**Notes:** formerly 4SG-100

---

**Type:** DC                                   **Manufacturer:** Apollo/Conbraco                                   **Model:** DC4SG  
**Size:** 6                                   **Orientation:** VU                                   **Meters:**  
**Manual:** 9                                   **0.25% Pb:** No                                   **Spare Parts Only:** No  
**Approved:** 25-Sep-2007                                   **Renewed:** 25-Sep-2019                                   **Bypass:**  
**Shutoffs:** (yyy)ppp,qqq,ttt, xxxxxx  
**Notes:** formerly 4SG-100



**Type:** DC                                    **Manufacturer:** Apollo/Conbraco                                    **Model:** DC4SG  
**Size:** 8                                      **Orientation:** H    **Meters:**  
**Manual:** 9                                    **0.25% Pb:** No    **Spare Parts Only:** No  
**Approved:** 25-Sep-2007                                    **Renewed:** 25-Sep-2019                                    **Bypass:**  
**Shutoffs:** (yyy)ppp,qqq,ttt, xxxxx, yyyyy, zzzzz, aaaaaa, xxxxxx  
**Notes:** formerly 4SG-100

---

**Type:** DC                                    **Manufacturer:** Apollo/Conbraco                                    **Model:** DC4SG  
**Size:** 8                                      **Orientation:** VU    **Meters:**  
**Manual:** 9                                    **0.25% Pb:** No    **Spare Parts Only:** No  
**Approved:** 25-Sep-2007                                    **Renewed:** 25-Sep-2019                                    **Bypass:**  
**Shutoffs:** (yyy)ppp,qqq,ttt, xxxxx, yyyyy, zzzzz, aaaaaa, xxxxxx  
**Notes:** formerly 4SG-100

---

**Type:** DC                                    **Manufacturer:** Apollo/Conbraco                                    **Model:** DC4SGN  
**Size:** 2 1/2                                      **Orientation:** VUVD    **Meters:**  
**Manual:** 9                                    **0.25% Pb:** No    **Spare Parts Only:** Yes  
**Approved:** 18-Oct-2007                                    **Renewed:** 18-Oct-2019                                    **Bypass:**  
**Shutoffs:** (yyy)ppp,qqq,ttt  
**Notes:** formerly 4SG-100U

---

**Type:** DC                                    **Manufacturer:** Apollo/Conbraco                                    **Model:** DC4SGN  
**Size:** 3                                      **Orientation:** VUVD    **Meters:**  
**Manual:** 9                                    **0.25% Pb:** No    **Spare Parts Only:** Yes  
**Approved:** 18-Oct-2007                                    **Renewed:** 18-Oct-2019                                    **Bypass:**  
**Shutoffs:** (yyy)ppp,qqq,ttt  
**Notes:** formerly 4SG-100U

---

**Type:** DC                                    **Manufacturer:** Apollo/Conbraco                                    **Model:** DC4SGN  
**Size:** 4                                      **Orientation:** VUVD    **Meters:**  
**Manual:** 9                                    **0.25% Pb:** No    **Spare Parts Only:** Yes  
**Approved:** 18-Oct-2007                                    **Renewed:** 18-Oct-2019                                    **Bypass:**  
**Shutoffs:** (yyy)ppp,qqq,ttt  
**Notes:** formerly 4SG-100U

---

**Type:** DC                                    **Manufacturer:** Apollo/Conbraco                                    **Model:** DC4SGN  
**Size:** 6                                      **Orientation:** VUVD    **Meters:**  
**Manual:** 9                                    **0.25% Pb:** No    **Spare Parts Only:** Yes  
**Approved:** 25-Sep-2007                                    **Renewed:** 25-Sep-2019                                    **Bypass:**  
**Shutoffs:** (yyy)ppp,qqq,ttt  
**Notes:** formerly 4SG-100U

**Type:** DC                              **Manufacturer:** Apollo/Conbraco                              **Model:** DC4SGN  
**Size:** 8                                      **Orientation:** VUVD                                      **Meters:**  
**Manual:** 9                                      **0.25% Pb:** No                                      **Spare Parts Only:** Yes  
**Approved:** 25-Sep-2007                              **Renewed:** 25-Sep-2019                              **Bypass:**  
**Shutoffs:** (yyy)ppp,qqq,ttt  
**Notes:** formerly 4SG-100U

---

**Type:** DC                              **Manufacturer:** Apollo/Conbraco                              **Model:** DCLF4A  
**Size:** 1/2                                      **Orientation:** H                                      **Meters:**  
**Manual:** 10                                      **0.25% Pb:** Yes                                      **Spare Parts Only:** No  
**Approved:** 27-Apr-2011                              **Renewed:** 27-Apr-2020                              **Bypass:**  
**Shutoffs:** (jjjjj),ttttt, uuuuu

---

**Type:** DC                              **Manufacturer:** Apollo/Conbraco                              **Model:** DCLF4A  
**Size:** 1/2                                      **Orientation:** VU                                      **Meters:**  
**Manual:** 10                                      **0.25% Pb:** Yes                                      **Spare Parts Only:** No  
**Approved:** 27-Apr-2011                              **Renewed:** 27-Apr-2020                              **Bypass:**  
**Shutoffs:** (jjjjj),ttttt, uuuuu

---

**Type:** DC                              **Manufacturer:** Apollo/Conbraco                              **Model:** DCLF4A  
**Size:** 3/4                                      **Orientation:** H                                      **Meters:**  
**Manual:** 9                                      **0.25% Pb:** Yes                                      **Spare Parts Only:** No  
**Approved:** 27-Apr-2011                              **Renewed:** 27-Apr-2020                              **Bypass:**  
**Shutoffs:** (jjjjj),ttttt

---

**Type:** DC                              **Manufacturer:** Apollo/Conbraco                              **Model:** DCLF4A  
**Size:** 3/4                                      **Orientation:** VU                                      **Meters:**  
**Manual:** 9                                      **0.25% Pb:** Yes                                      **Spare Parts Only:** No  
**Approved:** 06-Apr-2011                              **Renewed:** 06-Apr-2020                              **Bypass:**  
**Shutoffs:** (jjjjj),ttttt

---

**Type:** DC                              **Manufacturer:** Apollo/Conbraco                              **Model:** DCLF4A  
**Size:** 1                                      **Orientation:** H                                      **Meters:**  
**Manual:** 9                                      **0.25% Pb:** Yes                                      **Spare Parts Only:** No  
**Approved:** 27-Sep-2011                              **Renewed:** 27-Sep-2020                              **Bypass:**  
**Shutoffs:** (jjjjj),ttttt,vvvvv

**Type:** DC  
**Size:** 1  
**Manual:** 9  
**Approved:** 06-Apr-2011  
**Shutoffs:** (jjjjj),ttttt,vvvvv

---

**Manufacturer:** Apollo/Conbraco  
**Orientation:** VU  
**0.25% Pb:** Yes  
**Renewed:** 06-Apr-2020

---

**Model:** DCLF4A  
**Meters:**  
**Spare Parts Only:** No  
**Bypass:**

---

**Type:** DC  
**Size:** 1 1/4  
**Manual:** 9  
**Approved:** 07-Feb-2012  
**Shutoffs:** (jjjjj),ttttt,vvvvv

---

**Manufacturer:** Apollo/Conbraco  
**Orientation:** H  
**0.25% Pb:** Yes  
**Renewed:** 07-Feb-2021

---

**Model:** DCLF4A  
**Meters:**  
**Spare Parts Only:** No  
**Bypass:**

---

**Type:** DC  
**Size:** 1 1/4  
**Manual:** 9  
**Approved:** 07-Feb-2012  
**Shutoffs:** (jjjjj),ttttt,vvvvv

---

**Manufacturer:** Apollo/Conbraco  
**Orientation:** VU  
**0.25% Pb:** Yes  
**Renewed:** 07-Feb-2021

---

**Model:** DCLF4A  
**Meters:**  
**Spare Parts Only:** No  
**Bypass:**

---

**Type:** DC  
**Size:** 1 1/2  
**Manual:** 9  
**Approved:** 07-Feb-2012  
**Shutoffs:** (jjjjj),ttttt,vvvvv

---

**Manufacturer:** Apollo/Conbraco  
**Orientation:** H  
**0.25% Pb:** Yes  
**Renewed:** 07-Feb-2021

---

**Model:** DCLF4A  
**Meters:**  
**Spare Parts Only:** No  
**Bypass:**

---

**Type:** DC  
**Size:** 1 1/2  
**Manual:** 9  
**Approved:** 07-Feb-2012  
**Shutoffs:** (jjjjj),ttttt,vvvvv

---

**Manufacturer:** Apollo/Conbraco  
**Orientation:** VU  
**0.25% Pb:** Yes  
**Renewed:** 07-Feb-2021

---

**Model:** DCLF4A  
**Meters:**  
**Spare Parts Only:** No  
**Bypass:**

---

**Type:** DC  
**Size:** 2  
**Manual:** 9  
**Approved:** 07-Feb-2012  
**Shutoffs:** (jjjjj),ttttt,vvvvv

---

**Manufacturer:** Apollo/Conbraco  
**Orientation:** H  
**0.25% Pb:** Yes  
**Renewed:** 07-Feb-2021

---

**Model:** DCLF4A  
**Meters:**  
**Spare Parts Only:** No  
**Bypass:**

---

**Type:** DC  
**Size:** 2  
**Manual:** 9  
**Approved:** 27-Mar-2012  
**Shutoffs:** (jjjjj),ttttt,vvvvv

---

**Manufacturer:** Apollo/Conbraco  
**Orientation:** VU  
**0.25% Pb:** Yes  
**Renewed:** 27-Mar-2021

---

**Model:** DCLF4A  
**Meters:**  
**Spare Parts Only:** No  
**Bypass:**

---

<b>Type:</b> DC	<b>Manufacturer:</b> Apollo/Conbraco	<b>Model:</b> DCLF4A
<b>Size:</b> 2 1/2	<b>Orientation:</b> H	<b>Meters:</b>
<b>Manual:</b> 10	<b>0.25% Pb:</b> Yes	<b>Spare Parts Only:</b> No
<b>Approved:</b> 05-Nov-2013	<b>Renewed:</b> 05-Nov-2019	<b>Bypass:</b>
<b>Shutoffs:</b> (yyy), cccc, dddd, mmmm, nnnn, xxxxx, yyyyy, zzzzz, aaaaaa, xxxxxx		

---

<b>Type:</b> DC	<b>Manufacturer:</b> Apollo/Conbraco	<b>Model:</b> DCLF4A
<b>Size:</b> 2 1/2	<b>Orientation:</b> VU	<b>Meters:</b>
<b>Manual:</b> 10	<b>0.25% Pb:</b> Yes	<b>Spare Parts Only:</b> No
<b>Approved:</b> 05-Nov-2013	<b>Renewed:</b> 05-Nov-2019	<b>Bypass:</b>
<b>Shutoffs:</b> (yyy), cccc, dddd, mmmm, nnnn, xxxxx, yyyyy, zzzzz, aaaaaa, xxxxxx		

---

<b>Type:</b> DC	<b>Manufacturer:</b> Apollo/Conbraco	<b>Model:</b> DCLF4A
<b>Size:</b> 3	<b>Orientation:</b> H	<b>Meters:</b>
<b>Manual:</b> 10	<b>0.25% Pb:</b> Yes	<b>Spare Parts Only:</b> No
<b>Approved:</b> 05-Nov-2013	<b>Renewed:</b> 05-Nov-2019	<b>Bypass:</b>
<b>Shutoffs:</b> (yyy), cccc, dddd, mmmm, nnnn, xxxxx, yyyyy, zzzzz, aaaaaa, xxxxxx		

---

<b>Type:</b> DC	<b>Manufacturer:</b> Apollo/Conbraco	<b>Model:</b> DCLF4A
<b>Size:</b> 3	<b>Orientation:</b> VU	<b>Meters:</b>
<b>Manual:</b> 10	<b>0.25% Pb:</b> Yes	<b>Spare Parts Only:</b> No
<b>Approved:</b> 05-Nov-2013	<b>Renewed:</b> 05-Nov-2019	<b>Bypass:</b>
<b>Shutoffs:</b> (yyy), cccc, dddd, mmmm, nnnn, xxxxx, yyyyy, zzzzz, aaaaaa, xxxxxx		

---

<b>Type:</b> DC	<b>Manufacturer:</b> Apollo/Conbraco	<b>Model:</b> DCLF4A
<b>Size:</b> 4	<b>Orientation:</b> H	<b>Meters:</b>
<b>Manual:</b> 10	<b>0.25% Pb:</b> Yes	<b>Spare Parts Only:</b> No
<b>Approved:</b> 24-Jun-2013	<b>Renewed:</b> 24-Jun-2022	<b>Bypass:</b>
<b>Shutoffs:</b> (yyy), cccc, dddd, mmmm, nnnn, xxxxx, yyyyy, zzzzz, aaaaaa, xxxxxx		

---

<b>Type:</b> DC	<b>Manufacturer:</b> Apollo/Conbraco	<b>Model:</b> DCLF4A
<b>Size:</b> 4	<b>Orientation:</b> VU	<b>Meters:</b>
<b>Manual:</b> 10	<b>0.25% Pb:</b> Yes	<b>Spare Parts Only:</b> No
<b>Approved:</b> 24-Jun-2013	<b>Renewed:</b> 24-Jun-2022	<b>Bypass:</b>
<b>Shutoffs:</b> (yyy), cccc, dddd, mmmm, nnnn, xxxxx, yyyyy, zzzzz, aaaaaa, xxxxxx		

---

<b>Type:</b> DC	<b>Manufacturer:</b> Apollo/Conbraco	<b>Model:</b> DCLF4A
<b>Size:</b> 6	<b>Orientation:</b> H	<b>Meters:</b>
<b>Manual:</b> 10	<b>0.25% Pb:</b> Yes	<b>Spare Parts Only:</b> No
<b>Approved:</b> 24-Jun-2013	<b>Renewed:</b> 24-Jun-2022	<b>Bypass:</b>
<b>Shutoffs:</b> (yyy), cccc, dddd, mmmm, nnnn, xxxxx, yyyyy, zzzzz, aaaaaa, xxxxxx		

**Type:** DC                                   **Manufacturer:** Apollo/Conbraco                   **Model:** DCLF4A  
**Size:** 6                                   **Orientation:** VU                                   **Meters:**  
**Manual:** 10                               **0.25% Pb:** Yes                                   **Spare Parts Only:** No  
**Approved:** 24-Jun-2013               **Renewed:** 24-Jun-2022                       **Bypass:**  
**Shutoffs:** (yyy), cccc, dddd, mmmm, nnnn, xxxxx, yyyyy, zzzzz, aaaaaa, xxxxxx

---

**Type:** DC                                   **Manufacturer:** Apollo/Conbraco                   **Model:** DCLF4A  
**Size:** 8                                   **Orientation:** H                                   **Meters:**  
**Manual:** 10                               **0.25% Pb:** Yes                                   **Spare Parts Only:** No  
**Approved:** 15-May-2014               **Renewed:** 15-May-2020                       **Bypass:**  
**Shutoffs:** (yyy), cccc, dddd, mmmm, nnnn, xxxxx, yyyyy, zzzzz, aaaaaa, xxxxxx

---

**Type:** DC                                   **Manufacturer:** Apollo/Conbraco                   **Model:** DCLF4A  
**Size:** 8                                   **Orientation:** VU                                   **Meters:**  
**Manual:** 10                               **0.25% Pb:** Yes                                   **Spare Parts Only:** No  
**Approved:** 15-May-2014               **Renewed:** 15-May-2020                       **Bypass:**  
**Shutoffs:** (yyy), cccc, dddd, mmmm, nnnn, xxxxx, yyyyy, zzzzz, aaaaaa, xxxxxx

---

**Type:** DC                                   **Manufacturer:** Apollo/Conbraco                   **Model:** DCLF4A  
**Size:** 10                                   **Orientation:** H                                   **Meters:**  
**Manual:** 10                               **0.25% Pb:** Yes                                   **Spare Parts Only:** No  
**Approved:** 05-Nov-2021               **Renewed:**                                       **Bypass:**  
**Shutoffs:** (zzzzz), yyy,zzz,cccc,dddd,kkkk,llll,mmmm,nnnn,xxxxx, yyyyy,aaaaaa

---

**Type:** DC                                   **Manufacturer:** Apollo/Conbraco                   **Model:** DCLF4A  
**Size:** 12                                   **Orientation:** H                                   **Meters:**  
**Manual:** 10                               **0.25% Pb:** Yes                                   **Spare Parts Only:** No  
**Approved:** 05-Nov-2021               **Renewed:**                                       **Bypass:**  
**Shutoffs:** (bbbbbb), ll,mm,cccccc

---

**Type:** DC                                   **Manufacturer:** Apollo/Conbraco                   **Model:** DCLF4AN  
**Size:** 2 1/2                               **Orientation:** VUVD                               **Meters:**  
**Manual:** 10                               **0.25% Pb:** Yes                                   **Spare Parts Only:** No  
**Approved:** 10-Jun-2014               **Renewed:** 10-Jun-2020                       **Bypass:**  
**Shutoffs:** (yyy), cccc, dddd, mmmm, nnnn, xxxxx, yyyyy, zzzzz, aaaaaa, xxxxxx

---

**Type:** DC                                   **Manufacturer:** Apollo/Conbraco                   **Model:** DCLF4AN  
**Size:** 3                                   **Orientation:** VUVD                               **Meters:**  
**Manual:** 10                               **0.25% Pb:** Yes                                   **Spare Parts Only:** No  
**Approved:** 08-Apr-2014               **Renewed:** 08-Apr-2020                       **Bypass:**  
**Shutoffs:** (yyy), cccc, dddd, mmmm, nnnn, xxxxx, yyyyy, zzzzz, aaaaaa, xxxxxx

**Type:** DC    **Manufacturer:** Apollo/Conbraco                    **Model:** DCLF4AN  
**Size:** 4    **Orientation:** VUVD    **Meters:**  
**Manual:** 10    **0.25% Pb:** Yes    **Spare Parts Only:** No  
**Approved:** 22-Nov-2013                    **Renewed:** 22-Nov-2019                    **Bypass:**  
**Shutoffs:** (yyy), cccc, dddd, mmmm, nnnn, xxxxx, yyyyy, zzzzz, aaaaaa, xxxxxx

---

**Type:** DC    **Manufacturer:** Apollo/Conbraco                    **Model:** DCLF4AN  
**Size:** 6    **Orientation:** VUVD    **Meters:**  
**Manual:** 10    **0.25% Pb:** Yes    **Spare Parts Only:** No  
**Approved:** 15-Apr-2014                    **Renewed:** 15-Apr-2020                    **Bypass:**  
**Shutoffs:** (yyy), cccc, dddd, mmmm, nnnn, xxxxx, yyyyy, zzzzz, aaaaaa, xxxxxx

---

**Type:** DC    **Manufacturer:** Apollo/Conbraco                    **Model:** DCLF4AN  
**Size:** 8    **Orientation:** VUVD    **Meters:**  
**Manual:** 10    **0.25% Pb:** Yes    **Spare Parts Only:** No  
**Approved:** 20-Feb-2014                    **Renewed:** 20-Feb-2020                    **Bypass:**  
**Shutoffs:** (yyy), cccc, dddd, mmmm, nnnn, xxxxx, yyyyy, zzzzz, aaaaaa, xxxxxx

---

**Type:** DC    **Manufacturer:** Apollo/Conbraco                    **Model:** DCLF4AN  
**Size:** 10    **Orientation:** VUVD    **Meters:**  
**Manual:** 10    **0.25% Pb:** Yes    **Spare Parts Only:** No  
**Approved:** 05-Nov-2021                    **Renewed:**    **Bypass:**  
**Shutoffs:** (zzzzz), yyy,zzz,cccc,dddd,kkkk,llll,mmmm,nnnn,xxxxx, yyyyy,aaaaaa

---

**Type:** DC    **Manufacturer:** Apollo/Conbraco                    **Model:** DCLF4AN  
**Size:** 12    **Orientation:** VUVD    **Meters:**  
**Manual:** 10    **0.25% Pb:** Yes    **Spare Parts Only:** No  
**Approved:** 05-Nov-2021                    **Renewed:**    **Bypass:**  
**Shutoffs:** (bbbbbb), ll,mm,cccccc

---

**Type:** DC    **Manufacturer:** Apollo/Conbraco                    **Model:** DCLF4AR  
**Size:** 2 1/2    **Orientation:** H    **Meters:**  
**Manual:** 10    **0.25% Pb:** Yes    **Spare Parts Only:** No  
**Approved:** 09-Nov-2015                    **Renewed:** 09-Nov-2021                    **Bypass:**  
**Shutoffs:** (cccc), dddd, mmmm, nnnn, xxxxx, yyyyy, zzzzz, aaaaaa

**Notes:** Integral Stainless Steel grooved spool between the #2 ck and #2 SOV - assembly length: min. 34" and max. 47 1/8"

<b>Type:</b> DC	<b>Manufacturer:</b> Apollo/Conbraco	<b>Model:</b> DCLF4AR
<b>Size:</b> 2 1/2	<b>Orientation:</b> VU	<b>Meters:</b>
<b>Manual:</b> 10	<b>0.25% Pb:</b> Yes	<b>Spare Parts Only:</b> No
<b>Approved:</b> 09-Nov-2015	<b>Renewed:</b> 09-Nov-2021	<b>Bypass:</b>
<b>Shutoffs:</b> (cccc), dddd, mmmm, nnnn, xxxxx, yyyyy, zzzzz, aaaaaa		
<b>Notes:</b> Integral Stainless Steel grooved spool between the #2 ck and #2 SOV - assembly length: min. 34" and max. 47 1/8"		

---

<b>Type:</b> DC	<b>Manufacturer:</b> Apollo/Conbraco	<b>Model:</b> DCLF4AR
<b>Size:</b> 3	<b>Orientation:</b> H	<b>Meters:</b>
<b>Manual:</b> 10	<b>0.25% Pb:</b> Yes	<b>Spare Parts Only:</b> No
<b>Approved:</b> 09-Nov-2015	<b>Renewed:</b> 09-Nov-2021	<b>Bypass:</b>
<b>Shutoffs:</b> (cccc), dddd, mmmm, nnnn, xxxxx, yyyyy, zzzzz, aaaaaa		
<b>Notes:</b> Integral Stainless Steel grooved spool between the #2 ck and #2 SOV - assembly length: min. 35" and max. 48 1/8"		

---

<b>Type:</b> DC	<b>Manufacturer:</b> Apollo/Conbraco	<b>Model:</b> DCLF4AR
<b>Size:</b> 3	<b>Orientation:</b> VU	<b>Meters:</b>
<b>Manual:</b> 10	<b>0.25% Pb:</b> Yes	<b>Spare Parts Only:</b> No
<b>Approved:</b> 09-Nov-2015	<b>Renewed:</b> 09-Nov-2021	<b>Bypass:</b>
<b>Shutoffs:</b> (cccc), dddd, mmmm, nnnn, xxxxx, yyyyy, zzzzz, aaaaaa		
<b>Notes:</b> Integral Stainless Steel grooved spool between the #2 ck and #2 SOV - assembly length: min. 35" and max. 48 1/8"		

---

<b>Type:</b> DC	<b>Manufacturer:</b> Apollo/Conbraco	<b>Model:</b> DCLF4AR
<b>Size:</b> 4	<b>Orientation:</b> H	<b>Meters:</b>
<b>Manual:</b> 10	<b>0.25% Pb:</b> Yes	<b>Spare Parts Only:</b> No
<b>Approved:</b> 21-Sep-2015	<b>Renewed:</b> 21-Sep-2021	<b>Bypass:</b>
<b>Shutoffs:</b> (cccc), dddd, mmmm, nnnn, xxxxx, yyyyy, zzzzz, aaaaaa		
<b>Notes:</b> Integral Stainless Steel grooved spool between the #2 ck and #2 SOV - assembly length: min. 37 3/8" and max. 62 1/4"		

---

<b>Type:</b> DC	<b>Manufacturer:</b> Apollo/Conbraco	<b>Model:</b> DCLF4AR
<b>Size:</b> 4	<b>Orientation:</b> VU	<b>Meters:</b>
<b>Manual:</b> 10	<b>0.25% Pb:</b> Yes	<b>Spare Parts Only:</b> No
<b>Approved:</b> 21-Sep-2015	<b>Renewed:</b> 21-Sep-2021	<b>Bypass:</b>
<b>Shutoffs:</b> (cccc), dddd, mmmm, nnnn, xxxxx, yyyyy, zzzzz, aaaaaa		
<b>Notes:</b> Integral Stainless Steel grooved spool between the #2 ck and #2 SOV - assembly length: min. 37 3/8" and max. 62 1/4"		

<b>Type:</b> DC	<b>Manufacturer:</b> Apollo/Conbraco	<b>Model:</b> DCLF4AR
<b>Size:</b> 6	<b>Orientation:</b> H	<b>Meters:</b>
<b>Manual:</b> 10	<b>0.25% Pb:</b> Yes	<b>Spare Parts Only:</b> No
<b>Approved:</b> 21-Sep-2015	<b>Renewed:</b> 21-Sep-2021	<b>Bypass:</b>
<b>Shutoffs:</b> (cccc), dddd, mmmm, nnnn, xxxxx, yyyyy, zzzzz, aaaaaa		
<b>Notes:</b> Integral Stainless Steel grooved spool between the #2 ck and #2 SOV - assembly length: min. 46" and max. 71 1/4"		

---

<b>Type:</b> DC	<b>Manufacturer:</b> Apollo/Conbraco	<b>Model:</b> DCLF4AR
<b>Size:</b> 6	<b>Orientation:</b> VU	<b>Meters:</b>
<b>Manual:</b> 10	<b>0.25% Pb:</b> Yes	<b>Spare Parts Only:</b> No
<b>Approved:</b> 21-Sep-2015	<b>Renewed:</b> 21-Sep-2021	<b>Bypass:</b>
<b>Shutoffs:</b> (cccc), dddd, mmmm, nnnn, xxxxx, yyyyy, zzzzz, aaaaaa		
<b>Notes:</b> Integral Stainless Steel grooved spool between the #2 ck and #2 SOV - assembly length: min. 46" and max. 71 1/4"		

---

<b>Type:</b> DC	<b>Manufacturer:</b> Apollo/Conbraco	<b>Model:</b> DCLF4AR
<b>Size:</b> 8	<b>Orientation:</b> H	<b>Meters:</b>
<b>Manual:</b> 10	<b>0.25% Pb:</b> Yes	<b>Spare Parts Only:</b> No
<b>Approved:</b> 21-Dec-2015	<b>Renewed:</b> 21-Dec-2021	<b>Bypass:</b>
<b>Shutoffs:</b> (cccc), dddd, mmmm, nnnn, xxxxx, yyyyy, zzzzz, aaaaaa		
<b>Notes:</b> Integral Stainless Steel grooved spool between the #2 ck and #2 SOV - assembly length: min. 55 3/4" and max. 86"		

---

<b>Type:</b> DC	<b>Manufacturer:</b> Apollo/Conbraco	<b>Model:</b> DCLF4AR
<b>Size:</b> 8	<b>Orientation:</b> VU	<b>Meters:</b>
<b>Manual:</b> 10	<b>0.25% Pb:</b> Yes	<b>Spare Parts Only:</b> No
<b>Approved:</b> 21-Dec-2015	<b>Renewed:</b> 21-Dec-2021	<b>Bypass:</b>
<b>Shutoffs:</b> (cccc), dddd, mmmm, nnnn, xxxxx, yyyyy, zzzzz, aaaaaa		
<b>Notes:</b> Integral Stainless Steel grooved spool between the #2 ck and #2 SOV - assembly length: min. 55 3/4" and max. 86"		

---

<b>Type:</b> DC	<b>Manufacturer:</b> Apollo/Conbraco	<b>Model:</b> DCLF4AR
<b>Size:</b> 10	<b>Orientation:</b> H	<b>Meters:</b>
<b>Manual:</b> 10	<b>0.25% Pb:</b> Yes	<b>Spare Parts Only:</b> No
<b>Approved:</b> 05-Nov-2021	<b>Renewed:</b>	<b>Bypass:</b>
<b>Shutoffs:</b> (zzzzz), zzz,cccc,dddd,kkkk,llll,mmmm,nnnn,xxxxx, yyyyy,aaaaaa		
<b>Notes:</b> Integral Stainless Steel grooved spool between the #2 ck and #2 SOV - assembly length: min. 65 3/4" and max. 100 5/8"		



**Type:** DC                                      **Manufacturer:** Apollo/Conbraco                                      **Model:** DCLF4AY  
**Size:** 3/4                                      **Orientation:** H                                      **Meters:**  
**Manual:** 10                                      **0.25% Pb:** Yes                                      **Spare Parts Only:** No  
**Approved:** 16-Jan-2019                                      **Renewed:** 16-Jan-2022                                      **Bypass:**  
**Shutoffs:** (ttttt)  
**Notes:** body axis oriented with test cocks pointing up and nameplate on the top surface

---

**Type:** DC                                      **Manufacturer:** Apollo/Conbraco                                      **Model:** DCLF4AY  
**Size:** 3/4                                      **Orientation:** VU                                      **Meters:**  
**Manual:** 10                                      **0.25% Pb:** Yes                                      **Spare Parts Only:** No  
**Approved:** 24-Oct-2018                                      **Renewed:** 24-Oct-2021                                      **Bypass:**  
**Shutoffs:** (ttttt)

---

**Type:** DC                                      **Manufacturer:** Apollo/Conbraco                                      **Model:** DCLF4AY  
**Size:** 1                                      **Orientation:** H                                      **Meters:**  
**Manual:** 10                                      **0.25% Pb:** Yes                                      **Spare Parts Only:** No  
**Approved:** 16-Jan-2019                                      **Renewed:** 16-Jan-2022                                      **Bypass:**  
**Shutoffs:** (ttttt)  
**Notes:** body axis oriented with test cocks pointing up and nameplate on the top surface

---

**Type:** DC                                      **Manufacturer:** Apollo/Conbraco                                      **Model:** DCLF4AY  
**Size:** 1                                      **Orientation:** VU                                      **Meters:**  
**Manual:** 10                                      **0.25% Pb:** Yes                                      **Spare Parts Only:** No  
**Approved:** 24-Oct-2018                                      **Renewed:** 24-Oct-2021                                      **Bypass:**  
**Shutoffs:** (ttttt)

---

**Type:** DC                                      **Manufacturer:** Apollo/Conbraco                                      **Model:** DCLF4SG  
**Size:** 2 1/2                                      **Orientation:** H                                      **Meters:**  
**Manual:** 9                                      **0.25% Pb:** Yes                                      **Spare Parts Only:** No  
**Approved:** 23-Jan-2015                                      **Renewed:** 23-Jan-2021                                      **Bypass:**  
**Shutoffs:** (yyy), cccc, dddd, mmmm, nnnn, xxxxx, yyyyy, zzzzz, aaaaaa, xxxxxx

---

**Type:** DC                                      **Manufacturer:** Apollo/Conbraco                                      **Model:** DCLF4SG  
**Size:** 2 1/2                                      **Orientation:** VU                                      **Meters:**  
**Manual:** 9                                      **0.25% Pb:** Yes                                      **Spare Parts Only:** No  
**Approved:** 23-Jan-2015                                      **Renewed:** 23-Jan-2021                                      **Bypass:**  
**Shutoffs:** (yyy), cccc, dddd, mmmm, nnnn, xxxxx, yyyyy, zzzzz, aaaaaa, xxxxxx

**Type:** DC                                      **Manufacturer:** Apollo/Conbraco                      **Model:** DCLF4SG  
**Size:** 3    **Orientation:** H    **Meters:**  
**Manual:** 9    **0.25% Pb:** Yes    **Spare Parts Only:** No  
**Approved:** 23-Jan-2015                      **Renewed:** 23-Jan-2021                              **Bypass:**  
**Shutoffs:** (yyy), cccc, dddd, mmmm, nnnn, xxxxx, yyyyy, zzzzz, aaaaaa, xxxxxx

---

**Type:** DC                                      **Manufacturer:** Apollo/Conbraco                      **Model:** DCLF4SG  
**Size:** 3    **Orientation:** VU    **Meters:**  
**Manual:** 9    **0.25% Pb:** Yes    **Spare Parts Only:** No  
**Approved:** 23-Jan-2015                      **Renewed:** 23-Jan-2021                              **Bypass:**  
**Shutoffs:** (yyy), cccc, dddd, mmmm, nnnn, xxxxx, yyyyy, zzzzz, aaaaaa, xxxxxx

---

**Type:** DC                                      **Manufacturer:** Apollo/Conbraco                      **Model:** DCLF4SG  
**Size:** 4    **Orientation:** H    **Meters:**  
**Manual:** 9    **0.25% Pb:** Yes    **Spare Parts Only:** No  
**Approved:** 23-Jan-2015                      **Renewed:** 23-Jan-2021                              **Bypass:**  
**Shutoffs:** (yyy), cccc, dddd, mmmm, nnnn, xxxxx, yyyyy, zzzzz, aaaaaa, xxxxxx

---

**Type:** DC                                      **Manufacturer:** Apollo/Conbraco                      **Model:** DCLF4SG  
**Size:** 4    **Orientation:** VU    **Meters:**  
**Manual:** 9    **0.25% Pb:** Yes    **Spare Parts Only:** No  
**Approved:** 23-Jan-2015                      **Renewed:** 23-Jan-2021                              **Bypass:**  
**Shutoffs:** (yyy), cccc, dddd, mmmm, nnnn, xxxxx, yyyyy, zzzzz, aaaaaa, xxxxxx

---

**Type:** DC                                      **Manufacturer:** Apollo/Conbraco                      **Model:** DCLF4SG  
**Size:** 6    **Orientation:** H    **Meters:**  
**Manual:** 9    **0.25% Pb:** Yes    **Spare Parts Only:** No  
**Approved:** 23-Jan-2015                      **Renewed:** 23-Jan-2021                              **Bypass:**  
**Shutoffs:** (yyy), cccc, dddd, mmmm, nnnn, xxxxx, yyyyy, zzzzz, aaaaaa, xxxxxx

---

**Type:** DC                                      **Manufacturer:** Apollo/Conbraco                      **Model:** DCLF4SG  
**Size:** 6    **Orientation:** VU    **Meters:**  
**Manual:** 9    **0.25% Pb:** Yes    **Spare Parts Only:** No  
**Approved:** 23-Jan-2015                      **Renewed:** 23-Jan-2021                              **Bypass:**  
**Shutoffs:** (yyy), cccc, dddd, mmmm, nnnn, xxxxx, yyyyy, zzzzz, aaaaaa, xxxxxx

**Type:** DC                                    **Manufacturer:** Apollo/Conbraco                                    **Model:** W432100  
**Size:** 1/2                                    **Orientation:** H                                    **Meters:**  
**Manual:** 9                                    **0.25% Pb:** No                                    **Spare Parts Only:** No  
**Approved:** 18-Oct-2007                                    **Renewed:** 18-Oct-2019                                    **Bypass:**  
**Shutoffs:** (dd)  
**Notes:** formerly 4S103

---

**Type:** DC                                    **Manufacturer:** Apollo/Conbraco                                    **Model:** W432100  
**Size:** 1/2                                    **Orientation:** VU                                    **Meters:**  
**Manual:** 9                                    **0.25% Pb:** No                                    **Spare Parts Only:** No  
**Approved:** 18-Oct-2007                                    **Renewed:** 18-Oct-2019                                    **Bypass:**  
**Shutoffs:** (dd)  
**Notes:** formerly 4S103

---

**Type:** DC                                    **Manufacturer:** ARI                                    **Model:** DC 500  
**Size:** 1/2                                    **Orientation:** H                                    **Meters:**  
**Manual:** 9                                    **0.25% Pb:** No                                    **Spare Parts Only:** No  
**Approved:** 03-Jan-2013                                    **Renewed:** 03-Jan-2022                                    **Bypass:**  
**Shutoffs:** (oooo), ii, ooo,fffff

---

**Type:** DC                                    **Manufacturer:** ARI                                    **Model:** DC 500  
**Size:** 1/2                                    **Orientation:** H                                    **Meters:**  
**Manual:** 9                                    **0.25% Pb:** Yes                                    **Spare Parts Only:** No  
**Approved:** 18-Feb-2014                                    **Renewed:** 18-Feb-2020                                    **Bypass:**  
**Shutoffs:** (oooo),fffff

---

**Type:** DC                                    **Manufacturer:** ARI                                    **Model:** DC 500  
**Size:** 3/4                                    **Orientation:** H                                    **Meters:**  
**Manual:** 9                                    **0.25% Pb:** No                                    **Spare Parts Only:** No  
**Approved:** 02-Mar-2007                                    **Renewed:** 02-Mar-2022                                    **Bypass:**  
**Shutoffs:** (ii),ooo, ooooo, fffff

---

**Type:** DC                                    **Manufacturer:** ARI                                    **Model:** DC 500  
**Size:** 3/4                                    **Orientation:** H                                    **Meters:**  
**Manual:** 9                                    **0.25% Pb:** Yes                                    **Spare Parts Only:** No  
**Approved:** 18-Feb-2014                                    **Renewed:** 18-Feb-2020                                    **Bypass:**  
**Shutoffs:** (oooo), fffff

**Type:** DC  
**Size:** 1  
**Manual:** 9  
**Approved:** 02-Mar-2007  
**Shutoffs:** (ii),ooo, ooooo, fffff

**Manufacturer:** ARI  
**Orientation:** H  
**0.25% Pb:** No  
**Renewed:** 02-Mar-2022

**Model:** DC 500  
**Meters:**  
**Spare Parts Only:** No  
**Bypass:**

---

**Type:** DC  
**Size:** 1  
**Manual:** 9  
**Approved:** 18-Feb-2014  
**Shutoffs:** (ooooo), fffff

**Manufacturer:** ARI  
**Orientation:** H  
**0.25% Pb:** Yes  
**Renewed:** 18-Feb-2020

**Model:** DC 500  
**Meters:**  
**Spare Parts Only:** No  
**Bypass:**

---

**Type:** DC  
**Size:** 1 1/4  
**Manual:** 10  
**Approved:** 08-Jan-2014  
**Shutoffs:** (ooooo), fffff

**Manufacturer:** ARI  
**Orientation:** H  
**0.25% Pb:** Yes  
**Renewed:** 08-Jan-2020

**Model:** DC 500  
**Meters:**  
**Spare Parts Only:** No  
**Bypass:**

---

**Type:** DC  
**Size:** 1 1/2  
**Manual:** 10  
**Approved:** 08-Jan-2014  
**Shutoffs:** (ooooo), fffff

**Manufacturer:** ARI  
**Orientation:** H  
**0.25% Pb:** Yes  
**Renewed:** 08-Jan-2020

**Model:** DC 500  
**Meters:**  
**Spare Parts Only:** No  
**Bypass:**

---

**Type:** DC  
**Size:** 2  
**Manual:** 10  
**Approved:** 08-Jan-2014  
**Shutoffs:** (ooooo), fffff

**Manufacturer:** ARI  
**Orientation:** H  
**0.25% Pb:** Yes  
**Renewed:** 08-Jan-2020

**Model:** DC 500  
**Meters:**  
**Spare Parts Only:** No  
**Bypass:**

---

**Type:** DC  
**Size:** 1/2  
**Manual:** 10  
**Approved:** 06-Sep-2018  
**Shutoffs:** (int)

**Manufacturer:** ARI  
**Orientation:** H  
**0.25% Pb:** Yes  
**Renewed:** 06-Sep-2021

**Model:** DC 501  
**Meters:**  
**Spare Parts Only:** No  
**Bypass:**

---

**Type:** DC  
**Size:** 3/4  
**Manual:** 10  
**Approved:** 20-Mar-2017  
**Shutoffs:** (int)

**Manufacturer:** ARI  
**Orientation:** H  
**0.25% Pb:** Yes  
**Renewed:** 20-Mar-2020

**Model:** DC 501  
**Meters:**  
**Spare Parts Only:** No  
**Bypass:**

**Type:** DC  
**Size:** 1  
**Manual:** 10  
**Approved:** 15-Mar-2018  
**Shutoffs:** (int)

**Manufacturer:** ARI  
**Orientation:** H  
**0.25% Pb:** Yes  
**Renewed:** 15-Mar-2021

**Model:** DC 501  
**Meters:**  
**Spare Parts Only:** No  
**Bypass:**

---

**Type:** DC  
**Size:** 1 1/4  
**Manual:** 10  
**Approved:** 20-Mar-2017  
**Shutoffs:** (int)

**Manufacturer:** ARI  
**Orientation:** H  
**0.25% Pb:** Yes  
**Renewed:** 20-Mar-2020

**Model:** DC 501  
**Meters:**  
**Spare Parts Only:** No  
**Bypass:**

---

**Type:** DC  
**Size:** 1 1/2  
**Manual:** 10  
**Approved:** 20-Mar-2017  
**Shutoffs:** (int)

**Manufacturer:** ARI  
**Orientation:** H  
**0.25% Pb:** Yes  
**Renewed:** 20-Mar-2020

**Model:** DC 501  
**Meters:**  
**Spare Parts Only:** No  
**Bypass:**

---

**Type:** DC  
**Size:** 2  
**Manual:** 10  
**Approved:** 20-Mar-2017  
**Shutoffs:** (int)

**Manufacturer:** ARI  
**Orientation:** H  
**0.25% Pb:** Yes  
**Renewed:** 20-Mar-2020

**Model:** DC 501  
**Meters:**  
**Spare Parts Only:** No  
**Bypass:**

---

**Type:** DC  
**Size:** 2 1/2  
**Manual:** 10  
**Approved:** 21-Dec-2015  
**Shutoffs:** (int)

**Manufacturer:** Backflow Direct  
**Orientation:** H  
**0.25% Pb:** Yes  
**Renewed:** 21-Dec-2021

**Model:** Deringer 20  
**Meters:**  
**Spare Parts Only:** No  
**Bypass:**

---

**Type:** DC  
**Size:** 2 1/2  
**Manual:** 10  
**Approved:** 21-Dec-2015  
**Shutoffs:** (int)

**Manufacturer:** Backflow Direct  
**Orientation:** VU  
**0.25% Pb:** Yes  
**Renewed:** 21-Dec-2021

**Model:** Deringer 20  
**Meters:**  
**Spare Parts Only:** No  
**Bypass:**

---

**Type:** DC  
**Size:** 3  
**Manual:** 10  
**Approved:** 21-Dec-2015  
**Shutoffs:** (int)

**Manufacturer:** Backflow Direct  
**Orientation:** H  
**0.25% Pb:** Yes  
**Renewed:** 21-Dec-2021

**Model:** Deringer 20  
**Meters:**  
**Spare Parts Only:** No  
**Bypass:**

<b>Type:</b> DC	<b>Manufacturer:</b> Backflow Direct	<b>Model:</b> Deringer 20
<b>Size:</b> 3	<b>Orientation:</b> VU	<b>Meters:</b>
<b>Manual:</b> 10	<b>0.25% Pb:</b> Yes	<b>Spare Parts Only:</b> No
<b>Approved:</b> 21-Dec-2015	<b>Renewed:</b> 21-Dec-2021	<b>Bypass:</b>
<b>Shutoffs:</b> (int)		

---

<b>Type:</b> DC	<b>Manufacturer:</b> Backflow Direct	<b>Model:</b> Deringer 20
<b>Size:</b> 4	<b>Orientation:</b> H	<b>Meters:</b>
<b>Manual:</b> 10	<b>0.25% Pb:</b> Yes	<b>Spare Parts Only:</b> No
<b>Approved:</b> 30-Sep-2015	<b>Renewed:</b> 30-Sep-2021	<b>Bypass:</b>
<b>Shutoffs:</b> (int)		

---

<b>Type:</b> DC	<b>Manufacturer:</b> Backflow Direct	<b>Model:</b> Deringer 20
<b>Size:</b> 4	<b>Orientation:</b> VU	<b>Meters:</b>
<b>Manual:</b> 10	<b>0.25% Pb:</b> Yes	<b>Spare Parts Only:</b> No
<b>Approved:</b> 30-Sep-2015	<b>Renewed:</b> 30-Sep-2021	<b>Bypass:</b>
<b>Shutoffs:</b> (int)		

---

<b>Type:</b> DC	<b>Manufacturer:</b> Backflow Direct	<b>Model:</b> Deringer 20
<b>Size:</b> 6	<b>Orientation:</b> H	<b>Meters:</b>
<b>Manual:</b> 10	<b>0.25% Pb:</b> Yes	<b>Spare Parts Only:</b> No
<b>Approved:</b> 30-Oct-2019	<b>Renewed:</b>	<b>Bypass:</b>
<b>Shutoffs:</b> (int)		

---

<b>Type:</b> DC	<b>Manufacturer:</b> Backflow Direct	<b>Model:</b> Deringer 20
<b>Size:</b> 6	<b>Orientation:</b> VU	<b>Meters:</b>
<b>Manual:</b> 10	<b>0.25% Pb:</b> Yes	<b>Spare Parts Only:</b> No
<b>Approved:</b> 30-Oct-2019	<b>Renewed:</b>	<b>Bypass:</b>
<b>Shutoffs:</b> (int)		

---

<b>Type:</b> DC	<b>Manufacturer:</b> Backflow Direct	<b>Model:</b> Deringer 20
<b>Size:</b> 8	<b>Orientation:</b> H	<b>Meters:</b>
<b>Manual:</b> 10	<b>0.25% Pb:</b> Yes	<b>Spare Parts Only:</b> No
<b>Approved:</b> 23-Dec-2016	<b>Renewed:</b> 23-Dec-2019	<b>Bypass:</b>
<b>Shutoffs:</b> (int)		

---

<b>Type:</b> DC	<b>Manufacturer:</b> Backflow Direct	<b>Model:</b> Deringer 20
<b>Size:</b> 8	<b>Orientation:</b> VU	<b>Meters:</b>
<b>Manual:</b> 10	<b>0.25% Pb:</b> Yes	<b>Spare Parts Only:</b> No
<b>Approved:</b> 23-Dec-2016	<b>Renewed:</b> 23-Dec-2019	<b>Bypass:</b>
<b>Shutoffs:</b> (int)		

**Type:** DC  
**Size:** 2 1/2  
**Manual:** 10  
**Approved:** 07-Dec-2018  
**Shutoffs:** (ssssss), tttttt

**Manufacturer:** Backflow Direct  
**Orientation:** H  
**0.25% Pb:** Yes  
**Renewed:** 07-Dec-2021

**Model:** Deringer 20G  
**Meters:**  
**Spare Parts Only:** No  
**Bypass:**

---

**Type:** DC  
**Size:** 2 1/2  
**Manual:** 10  
**Approved:** 07-Dec-2018  
**Shutoffs:** (ssssss), tttttt

**Manufacturer:** Backflow Direct  
**Orientation:** VU  
**0.25% Pb:** Yes  
**Renewed:** 07-Dec-2021

**Model:** Deringer 20G  
**Meters:**  
**Spare Parts Only:** No  
**Bypass:**

---

**Type:** DC  
**Size:** 3  
**Manual:** 10  
**Approved:** 07-Dec-2018  
**Shutoffs:** (ssssss), tttttt

**Manufacturer:** Backflow Direct  
**Orientation:** H  
**0.25% Pb:** Yes  
**Renewed:** 07-Dec-2021

**Model:** Deringer 20G  
**Meters:**  
**Spare Parts Only:** No  
**Bypass:**

---

**Type:** DC  
**Size:** 3  
**Manual:** 10  
**Approved:** 07-Dec-2018  
**Shutoffs:** (ssssss), tttttt

**Manufacturer:** Backflow Direct  
**Orientation:** VU  
**0.25% Pb:** Yes  
**Renewed:** 07-Dec-2021

**Model:** Deringer 20G  
**Meters:**  
**Spare Parts Only:** No  
**Bypass:**

---

**Type:** DC  
**Size:** 4  
**Manual:** 10  
**Approved:** 07-Dec-2018  
**Shutoffs:** (ssssss), tttttt

**Manufacturer:** Backflow Direct  
**Orientation:** H  
**0.25% Pb:** Yes  
**Renewed:** 07-Dec-2021

**Model:** Deringer 20G  
**Meters:**  
**Spare Parts Only:** No  
**Bypass:**

---

**Type:** DC  
**Size:** 4  
**Manual:** 10  
**Approved:** 07-Dec-2018  
**Shutoffs:** (ssssss), tttttt

**Manufacturer:** Backflow Direct  
**Orientation:** VU  
**0.25% Pb:** Yes  
**Renewed:** 07-Dec-2021

**Model:** Deringer 20G  
**Meters:**  
**Spare Parts Only:** No  
**Bypass:**

---

**Type:** DC  
**Size:** 6  
**Manual:** 10  
**Approved:** 16-Jan-2020  
**Shutoffs:** (ssssss), tttttt

**Manufacturer:** Backflow Direct  
**Orientation:** H  
**0.25% Pb:** Yes  
**Renewed:**

**Model:** Deringer 20G  
**Meters:**  
**Spare Parts Only:** No  
**Bypass:**

**Type:** DC  
**Size:** 6  
**Manual:** 10  
**Approved:** 16-Jan-2020  
**Shutoffs:** (ssssss), tttttt

**Manufacturer:** Backflow Direct  
**Orientation:** VU  
**0.25% Pb:** Yes  
**Renewed:**

**Model:** Deringer 20G  
**Meters:**  
**Spare Parts Only:** No  
**Bypass:**

---

**Type:** DC  
**Size:** 8  
**Manual:** 10  
**Approved:** 31-Jul-2018  
**Shutoffs:** (ssssss), tttttt

**Manufacturer:** Backflow Direct  
**Orientation:** H  
**0.25% Pb:** Yes  
**Renewed:** 31-Jul-2021

**Model:** Deringer 20G  
**Meters:**  
**Spare Parts Only:** No  
**Bypass:**

---

**Type:** DC  
**Size:** 8  
**Manual:** 10  
**Approved:** 31-Jul-2018  
**Shutoffs:** (ssssss), tttttt

**Manufacturer:** Backflow Direct  
**Orientation:** VU  
**0.25% Pb:** Yes  
**Renewed:** 31-Jul-2021

**Model:** Deringer 20G  
**Meters:**  
**Spare Parts Only:** No  
**Bypass:**

---

**Type:** DC  
**Size:** 4  
**Manual:** 10  
**Approved:** 16-Jan-2020  
**Shutoffs:** (ssssss), tttttt

**Manufacturer:** Backflow Direct  
**Orientation:** H  
**0.25% Pb:** Yes  
**Renewed:**

**Model:** Deringer 20GX  
**Meters:**  
**Spare Parts Only:** No  
**Bypass:**

---

**Type:** DC  
**Size:** 4  
**Manual:** 10  
**Approved:** 16-Jan-2020  
**Shutoffs:** (ssssss), tttttt

**Manufacturer:** Backflow Direct  
**Orientation:** VU  
**0.25% Pb:** Yes  
**Renewed:**

**Model:** Deringer 20GX  
**Meters:**  
**Spare Parts Only:** No  
**Bypass:**

---

**Type:** DC  
**Size:** 6  
**Manual:** 10  
**Approved:** 31-Jul-2018  
**Shutoffs:** (ssssss), tttttt

**Manufacturer:** Backflow Direct  
**Orientation:** H  
**0.25% Pb:** Yes  
**Renewed:** 31-Jul-2021

**Model:** Deringer 20GX  
**Meters:**  
**Spare Parts Only:** No  
**Bypass:**

---

**Type:** DC  
**Size:** 6  
**Manual:** 10  
**Approved:** 31-Jul-2018  
**Shutoffs:** (ssssss), tttttt

**Manufacturer:** Backflow Direct  
**Orientation:** VU  
**0.25% Pb:** Yes  
**Renewed:** 31-Jul-2021

**Model:** Deringer 20GX  
**Meters:**  
**Spare Parts Only:** No  
**Bypass:**



<b>Type:</b> DC	<b>Manufacturer:</b> Backflow Direct	<b>Model:</b> Deringer 20X
<b>Size:</b> 4	<b>Orientation:</b> H	<b>Meters:</b>
<b>Manual:</b> 10	<b>0.25% Pb:</b> Yes	<b>Spare Parts Only:</b> No
<b>Approved:</b> 30-Oct-2019	<b>Renewed:</b>	<b>Bypass:</b>
<b>Shutoffs:</b> (int)		

---

<b>Type:</b> DC	<b>Manufacturer:</b> Backflow Direct	<b>Model:</b> Deringer 20X
<b>Size:</b> 4	<b>Orientation:</b> VU	<b>Meters:</b>
<b>Manual:</b> 10	<b>0.25% Pb:</b> Yes	<b>Spare Parts Only:</b> No
<b>Approved:</b> 30-Oct-2019	<b>Renewed:</b>	<b>Bypass:</b>
<b>Shutoffs:</b> (int)		

---

<b>Type:</b> DC	<b>Manufacturer:</b> Backflow Direct	<b>Model:</b> Deringer 20X
<b>Size:</b> 6	<b>Orientation:</b> H	<b>Meters:</b>
<b>Manual:</b> 10	<b>0.25% Pb:</b> Yes	<b>Spare Parts Only:</b> No
<b>Approved:</b> 23-Dec-2016	<b>Renewed:</b> 23-Dec-2019	<b>Bypass:</b>
<b>Shutoffs:</b> (int)		

---

<b>Type:</b> DC	<b>Manufacturer:</b> Backflow Direct	<b>Model:</b> Deringer 20X
<b>Size:</b> 6	<b>Orientation:</b> VU	<b>Meters:</b>
<b>Manual:</b> 10	<b>0.25% Pb:</b> Yes	<b>Spare Parts Only:</b> No
<b>Approved:</b> 23-Dec-2016	<b>Renewed:</b> 23-Dec-2019	<b>Bypass:</b>
<b>Shutoffs:</b> (int)		

---

<b>Type:</b> DC	<b>Manufacturer:</b> Backflow Direct	<b>Model:</b> Magnum 20
<b>Size:</b> 2 1/2	<b>Orientation:</b> H	<b>Meters:</b>
<b>Manual:</b> 10	<b>0.25% Pb:</b> Yes	<b>Spare Parts Only:</b> No
<b>Approved:</b> 15-Mar-2018	<b>Renewed:</b> 15-Mar-2021	<b>Bypass:</b>
<b>Shutoffs:</b> (int)		

---

<b>Type:</b> DC	<b>Manufacturer:</b> Backflow Direct	<b>Model:</b> Magnum 20
<b>Size:</b> 2 1/2	<b>Orientation:</b> VU	<b>Meters:</b>
<b>Manual:</b> 10	<b>0.25% Pb:</b> Yes	<b>Spare Parts Only:</b> No
<b>Approved:</b> 15-Mar-2018	<b>Renewed:</b> 15-Mar-2021	<b>Bypass:</b>
<b>Shutoffs:</b> (int)		

---

<b>Type:</b> DC	<b>Manufacturer:</b> Backflow Direct	<b>Model:</b> Magnum 20
<b>Size:</b> 3	<b>Orientation:</b> H	<b>Meters:</b>
<b>Manual:</b> 10	<b>0.25% Pb:</b> Yes	<b>Spare Parts Only:</b> No
<b>Approved:</b> 15-Mar-2018	<b>Renewed:</b> 15-Mar-2021	<b>Bypass:</b>
<b>Shutoffs:</b> (int)		

**Type:** DC  
**Size:** 3  
**Manual:** 10  
**Approved:** 15-Mar-2018  
**Shutoffs:** (int)

**Manufacturer:** Backflow Direct  
**Orientation:** VU  
**0.25% Pb:** Yes  
**Renewed:** 15-Mar-2021

**Model:** Magnum 20  
**Meters:**  
**Spare Parts Only:** No  
**Bypass:**

---

**Type:** DC  
**Size:** 4  
**Manual:** 10  
**Approved:** 15-Mar-2018  
**Shutoffs:** (int)

**Manufacturer:** Backflow Direct  
**Orientation:** H  
**0.25% Pb:** Yes  
**Renewed:** 15-Mar-2021

**Model:** Magnum 20  
**Meters:**  
**Spare Parts Only:** No  
**Bypass:**

---

**Type:** DC  
**Size:** 4  
**Manual:** 10  
**Approved:** 15-Mar-2018  
**Shutoffs:** (int)

**Manufacturer:** Backflow Direct  
**Orientation:** VU  
**0.25% Pb:** Yes  
**Renewed:** 15-Mar-2021

**Model:** Magnum 20  
**Meters:**  
**Spare Parts Only:** No  
**Bypass:**

---

**Type:** DC  
**Size:** 8  
**Manual:** 10  
**Approved:** 15-Mar-2018  
**Shutoffs:** (int)

**Manufacturer:** Backflow Direct  
**Orientation:** H  
**0.25% Pb:** Yes  
**Renewed:** 15-Mar-2021

**Model:** Magnum 20  
**Meters:**  
**Spare Parts Only:** No  
**Bypass:**

---

**Type:** DC  
**Size:** 8  
**Manual:** 10  
**Approved:** 15-Mar-2018  
**Shutoffs:** (int)

**Manufacturer:** Backflow Direct  
**Orientation:** VU  
**0.25% Pb:** Yes  
**Renewed:** 15-Mar-2021

**Model:** Magnum 20  
**Meters:**  
**Spare Parts Only:** No  
**Bypass:**

---

**Type:** DC  
**Size:** 2 1/2  
**Manual:** 10  
**Approved:** 07-Dec-2018  
**Shutoffs:** (qqqqqq), rrrrrr

**Manufacturer:** Backflow Direct  
**Orientation:** H  
**0.25% Pb:** Yes  
**Renewed:** 07-Dec-2021

**Model:** Magnum 20G  
**Meters:**  
**Spare Parts Only:** No  
**Bypass:**

---

**Type:** DC  
**Size:** 2 1/2  
**Manual:** 10  
**Approved:** 07-Dec-2018  
**Shutoffs:** (qqqqqq), rrrrrr

**Manufacturer:** Backflow Direct  
**Orientation:** VU  
**0.25% Pb:** Yes  
**Renewed:** 07-Dec-2021

**Model:** Magnum 20G  
**Meters:**  
**Spare Parts Only:** No  
**Bypass:**

**Type:** DC  
**Size:** 3  
**Manual:** 10  
**Approved:** 07-Dec-2018  
**Shutoffs:** (qqqqqq), rrrrrr

**Manufacturer:** Backflow Direct  
**Orientation:** H  
**0.25% Pb:** Yes  
**Renewed:** 07-Dec-2021

**Model:** Magnum 20G  
**Meters:**  
**Spare Parts Only:** No  
**Bypass:**

---

**Type:** DC  
**Size:** 3  
**Manual:** 10  
**Approved:** 07-Dec-2018  
**Shutoffs:** (qqqqqq), rrrrrr

**Manufacturer:** Backflow Direct  
**Orientation:** VU  
**0.25% Pb:** Yes  
**Renewed:** 07-Dec-2021

**Model:** Magnum 20G  
**Meters:**  
**Spare Parts Only:** No  
**Bypass:**

---

**Type:** DC  
**Size:** 4  
**Manual:** 10  
**Approved:** 07-Dec-2018  
**Shutoffs:** (qqqqqq), rrrrrr

**Manufacturer:** Backflow Direct  
**Orientation:** H  
**0.25% Pb:** Yes  
**Renewed:** 07-Dec-2021

**Model:** Magnum 20G  
**Meters:**  
**Spare Parts Only:** No  
**Bypass:**

---

**Type:** DC  
**Size:** 4  
**Manual:** 10  
**Approved:** 07-Dec-2018  
**Shutoffs:** (qqqqqq), rrrrrr

**Manufacturer:** Backflow Direct  
**Orientation:** VU  
**0.25% Pb:** Yes  
**Renewed:** 07-Dec-2021

**Model:** Magnum 20G  
**Meters:**  
**Spare Parts Only:** No  
**Bypass:**

---

**Type:** DC  
**Size:** 6  
**Manual:** 10  
**Approved:** 16-Jan-2020  
**Shutoffs:** (qqqqqq), rrrrrr

**Manufacturer:** Backflow Direct  
**Orientation:** H  
**0.25% Pb:** Yes  
**Renewed:**

**Model:** Magnum 20G  
**Meters:**  
**Spare Parts Only:** No  
**Bypass:**

---

**Type:** DC  
**Size:** 6  
**Manual:** 10  
**Approved:** 16-Jan-2020  
**Shutoffs:** (qqqqqq), rrrrrr

**Manufacturer:** Backflow Direct  
**Orientation:** VU  
**0.25% Pb:** Yes  
**Renewed:**

**Model:** Magnum 20G  
**Meters:**  
**Spare Parts Only:** No  
**Bypass:**

---

**Type:** DC  
**Size:** 8  
**Manual:** 10  
**Approved:** 31-Jul-2018  
**Shutoffs:** (qqqqqq), rrrrrr

**Manufacturer:** Backflow Direct  
**Orientation:** H  
**0.25% Pb:** Yes  
**Renewed:** 31-Jul-2021

**Model:** Magnum 20G  
**Meters:**  
**Spare Parts Only:** No  
**Bypass:**

<b>Type:</b> DC	<b>Manufacturer:</b> Backflow Direct	<b>Model:</b> Magnum 20G
<b>Size:</b> 8	<b>Orientation:</b> VU	<b>Meters:</b>
<b>Manual:</b> 10	<b>0.25% Pb:</b> Yes	<b>Spare Parts Only:</b> No
<b>Approved:</b> 31-Jul-2018	<b>Renewed:</b> 31-Jul-2021	<b>Bypass:</b>
<b>Shutoffs:</b> (qqqqqq), rrrrrr		

---

<b>Type:</b> DC	<b>Manufacturer:</b> Backflow Direct	<b>Model:</b> Magnum 20GX
<b>Size:</b> 6	<b>Orientation:</b> H	<b>Meters:</b>
<b>Manual:</b> 10	<b>0.25% Pb:</b> Yes	<b>Spare Parts Only:</b> No
<b>Approved:</b> 31-Jul-2018	<b>Renewed:</b> 31-Jul-2021	<b>Bypass:</b>
<b>Shutoffs:</b> (qqqqqq), rrrrrr		

---

<b>Type:</b> DC	<b>Manufacturer:</b> Backflow Direct	<b>Model:</b> Magnum 20GX
<b>Size:</b> 6	<b>Orientation:</b> VU	<b>Meters:</b>
<b>Manual:</b> 10	<b>0.25% Pb:</b> Yes	<b>Spare Parts Only:</b> No
<b>Approved:</b> 31-Jul-2018	<b>Renewed:</b> 31-Jul-2021	<b>Bypass:</b>
<b>Shutoffs:</b> (qqqqqq), rrrrrr		

---

<b>Type:</b> DC	<b>Manufacturer:</b> Backflow Direct	<b>Model:</b> Magnum 20X
<b>Size:</b> 6	<b>Orientation:</b> H	<b>Meters:</b>
<b>Manual:</b> 10	<b>0.25% Pb:</b> Yes	<b>Spare Parts Only:</b> No
<b>Approved:</b> 15-Mar-2018	<b>Renewed:</b> 15-Mar-2021	<b>Bypass:</b>
<b>Shutoffs:</b> (int)		

---

<b>Type:</b> DC	<b>Manufacturer:</b> Backflow Direct	<b>Model:</b> Magnum 20X
<b>Size:</b> 6	<b>Orientation:</b> VU	<b>Meters:</b>
<b>Manual:</b> 10	<b>0.25% Pb:</b> Yes	<b>Spare Parts Only:</b> No
<b>Approved:</b> 15-Mar-2018	<b>Renewed:</b> 15-Mar-2021	<b>Bypass:</b>
<b>Shutoffs:</b> (int)		

---

<b>Type:</b> DC	<b>Manufacturer:</b> BEECO	<b>Model:</b> Barracuda 20
<b>Size:</b> 2 1/2	<b>Orientation:</b> H	<b>Meters:</b>
<b>Manual:</b> 10	<b>0.25% Pb:</b> Yes	<b>Spare Parts Only:</b> No
<b>Approved:</b> 18-Dec-2018	<b>Renewed:</b> 18-Dec-2021	<b>Bypass:</b>
<b>Shutoffs:</b> (qqqqqq), rrrrrr, vvvvvv, wwwwww		

---

<b>Type:</b> DC	<b>Manufacturer:</b> BEECO	<b>Model:</b> Barracuda 20
<b>Size:</b> 2 1/2	<b>Orientation:</b> VU	<b>Meters:</b>
<b>Manual:</b> 10	<b>0.25% Pb:</b> Yes	<b>Spare Parts Only:</b> No
<b>Approved:</b> 18-Dec-2018	<b>Renewed:</b> 18-Dec-2021	<b>Bypass:</b>
<b>Shutoffs:</b> (qqqqqq), rrrrrr, vvvvvv, wwwwww		

**Type:** DC                                      **Manufacturer:** BEECO                                      **Model:** Barracuda 20  
**Size:** 3    **Orientation:** H    **Meters:**  
**Manual:** 10    **0.25% Pb:** Yes    **Spare Parts Only:** No  
**Approved:** 18-Dec-2018                                      **Renewed:** 18-Dec-2021                                      **Bypass:**  
**Shutoffs:** (qqqqqq), rrrrrr, vvvvvv, wwwwww

---

**Type:** DC                                      **Manufacturer:** BEECO                                      **Model:** Barracuda 20  
**Size:** 3    **Orientation:** VU    **Meters:**  
**Manual:** 10    **0.25% Pb:** Yes    **Spare Parts Only:** No  
**Approved:** 18-Dec-2018                                      **Renewed:** 18-Dec-2021                                      **Bypass:**  
**Shutoffs:** (qqqqqq), rrrrrr, vvvvvv, wwwwww

---

**Type:** DC                                      **Manufacturer:** BEECO                                      **Model:** Barracuda 20  
**Size:** 4    **Orientation:** H    **Meters:**  
**Manual:** 10    **0.25% Pb:** Yes    **Spare Parts Only:** No  
**Approved:** 18-Dec-2018                                      **Renewed:** 18-Dec-2021                                      **Bypass:**  
**Shutoffs:** (qqqqqq), rrrrrr, vvvvvv, wwwwww

---

**Type:** DC                                      **Manufacturer:** BEECO                                      **Model:** Barracuda 20  
**Size:** 4    **Orientation:** VU    **Meters:**  
**Manual:** 10    **0.25% Pb:** Yes    **Spare Parts Only:** No  
**Approved:** 18-Dec-2018                                      **Renewed:** 18-Dec-2021                                      **Bypass:**  
**Shutoffs:** (qqqqqq), rrrrrr, vvvvvv, wwwwww

---

**Type:** DC                                      **Manufacturer:** BEECO                                      **Model:** Barracuda 20  
**Size:** 6    **Orientation:** H    **Meters:**  
**Manual:** 10    **0.25% Pb:** Yes    **Spare Parts Only:** No  
**Approved:** 26-Jul-2021                                      **Renewed:**    **Bypass:**  
**Shutoffs:** (qqqqqq), rrrrrr, vvvvvv, wwwwww

---

**Type:** DC                                      **Manufacturer:** BEECO                                      **Model:** Barracuda 20  
**Size:** 6    **Orientation:** VU    **Meters:**  
**Manual:** 10    **0.25% Pb:** Yes    **Spare Parts Only:** No  
**Approved:** 26-Jul-2021                                      **Renewed:**    **Bypass:**  
**Shutoffs:** (qqqqqq), rrrrrr, vvvvvv, wwwwww

---

**Type:** DC                                      **Manufacturer:** BEECO                                      **Model:** Barracuda 20  
**Size:** 8    **Orientation:** H    **Meters:**  
**Manual:** 10    **0.25% Pb:** Yes    **Spare Parts Only:** No  
**Approved:** 18-Dec-2018                                      **Renewed:** 18-Dec-2021                                      **Bypass:**  
**Shutoffs:** (qqqqqq), rrrrrr

**Type:** DC  
**Size:** 8  
**Manual:** 10  
**Approved:** 18-Dec-2018  
**Shutoffs:** (qqqqqq), rrrrrr

**Manufacturer:** BEECO  
**Orientation:** VU  
**0.25% Pb:** Yes  
**Renewed:** 18-Dec-2021

**Model:** Barracuda 20  
**Meters:**  
**Spare Parts Only:** No  
**Bypass:**

---

**Type:** DC  
**Size:** 6  
**Manual:** 10  
**Approved:** 18-Dec-2018  
**Shutoffs:** (qqqqqq), rrrrrr, vvvvvv, wwwwww

**Manufacturer:** BEECO  
**Orientation:** H  
**0.25% Pb:** Yes  
**Renewed:** 18-Dec-2021

**Model:** Barracuda 20X  
**Meters:**  
**Spare Parts Only:** No  
**Bypass:**

---

**Type:** DC  
**Size:** 6  
**Manual:** 10  
**Approved:** 18-Dec-2018  
**Shutoffs:** (qqqqqq), rrrrrr, vvvvvv, wwwwww

**Manufacturer:** BEECO  
**Orientation:** VU  
**0.25% Pb:** Yes  
**Renewed:** 18-Dec-2021

**Model:** Barracuda 20X  
**Meters:**  
**Spare Parts Only:** No  
**Bypass:**

---

**Type:** DC  
**Size:** 1/2  
**Manual:** 10  
**Approved:** 21-Jan-2022  
**Shutoffs:** (yyyyyy)

**Manufacturer:** BEECO  
**Orientation:** H  
**0.25% Pb:** Yes  
**Renewed:**

**Model:** FDC  
**Meters:**  
**Spare Parts Only:** No  
**Bypass:**

---

**Type:** DC  
**Size:** 1/2  
**Manual:** 10  
**Approved:** 21-Jan-2022  
**Shutoffs:** (yyyyyy)

**Manufacturer:** BEECO  
**Orientation:** VU  
**0.25% Pb:** Yes  
**Renewed:**

**Model:** FDC  
**Meters:**  
**Spare Parts Only:** No  
**Bypass:**

---

**Type:** DC  
**Size:** 3/4  
**Manual:** 10  
**Approved:** 21-Jan-2022  
**Shutoffs:** (yyyyyy)

**Manufacturer:** BEECO  
**Orientation:** H  
**0.25% Pb:** Yes  
**Renewed:**

**Model:** FDC  
**Meters:**  
**Spare Parts Only:** No  
**Bypass:**

---

**Type:** DC  
**Size:** 3/4  
**Manual:** 10  
**Approved:** 21-Jan-2022  
**Shutoffs:** (yyyyyy)

**Manufacturer:** BEECO  
**Orientation:** VU  
**0.25% Pb:** Yes  
**Renewed:**

**Model:** FDC  
**Meters:**  
**Spare Parts Only:** No  
**Bypass:**

**Type:** DC  
**Size:** 1 1/4  
**Manual:** 10  
**Approved:** 21-Jan-2022  
**Shutoffs:** (yyyyyy)

**Manufacturer:** BEECO  
**Orientation:** H  
**0.25% Pb:** Yes  
**Renewed:**

**Model:** FDC  
**Meters:**  
**Spare Parts Only:** No  
**Bypass:**

---

**Type:** DC  
**Size:** 1 1/4  
**Manual:** 10  
**Approved:** 21-Jan-2022  
**Shutoffs:** (yyyyyy)

**Manufacturer:** BEECO  
**Orientation:** VU  
**0.25% Pb:** Yes  
**Renewed:**

**Model:** FDC  
**Meters:**  
**Spare Parts Only:** No  
**Bypass:**

---

**Type:** DC  
**Size:** 1 1/2  
**Manual:** 10  
**Approved:** 21-Jan-2022  
**Shutoffs:** (yyyyyy)

**Manufacturer:** BEECO  
**Orientation:** H  
**0.25% Pb:** Yes  
**Renewed:**

**Model:** FDC  
**Meters:**  
**Spare Parts Only:** No  
**Bypass:**

---

**Type:** DC  
**Size:** 1 1/2  
**Manual:** 10  
**Approved:** 21-Jan-2022  
**Shutoffs:** (yyyyyy)

**Manufacturer:** BEECO  
**Orientation:** VU  
**0.25% Pb:** Yes  
**Renewed:**

**Model:** FDC  
**Meters:**  
**Spare Parts Only:** No  
**Bypass:**

---

**Type:** DC  
**Size:** 2 1/2  
**Manual:** 10  
**Approved:** 18-Dec-2018  
**Shutoffs:** (vvvvvv), wwwwww

**Manufacturer:** BEECO  
**Orientation:** H  
**0.25% Pb:** No  
**Renewed:** 18-Dec-2021

**Model:** FDC  
**Meters:**  
**Spare Parts Only:** No  
**Bypass:**

---

**Type:** DC  
**Size:** 2 1/2  
**Manual:** 10  
**Approved:** 18-Dec-2018  
**Shutoffs:** (vvvvvv), wwwwww

**Manufacturer:** BEECO  
**Orientation:** VU  
**0.25% Pb:** No  
**Renewed:** 18-Dec-2021

**Model:** FDC  
**Meters:**  
**Spare Parts Only:** No  
**Bypass:**

---

**Type:** DC  
**Size:** 3  
**Manual:** 10  
**Approved:** 18-Dec-2018  
**Shutoffs:** (vvvvvv), wwwwww

**Manufacturer:** BEECO  
**Orientation:** H  
**0.25% Pb:** No  
**Renewed:** 18-Dec-2021

**Model:** FDC  
**Meters:**  
**Spare Parts Only:** No  
**Bypass:**

**Type:** DC  
**Size:** 3  
**Manual:** 10  
**Approved:** 18-Dec-2018  
**Shutoffs:** (vvvvvv), wwwwww

**Manufacturer:** BEECO  
**Orientation:** VU  
**0.25% Pb:** No  
**Renewed:** 18-Dec-2021

**Model:** FDC  
**Meters:**  
**Spare Parts Only:** No  
**Bypass:**

---

**Type:** DC  
**Size:** 4  
**Manual:** 10  
**Approved:** 18-Dec-2018  
**Shutoffs:** (vvvvvv), wwwwww

**Manufacturer:** BEECO  
**Orientation:** H  
**0.25% Pb:** No  
**Renewed:** 18-Dec-2021

**Model:** FDC  
**Meters:**  
**Spare Parts Only:** No  
**Bypass:**

---

**Type:** DC  
**Size:** 4  
**Manual:** 10  
**Approved:** 18-Dec-2018  
**Shutoffs:** (vvvvvv), wwwwww

**Manufacturer:** BEECO  
**Orientation:** VU  
**0.25% Pb:** No  
**Renewed:** 18-Dec-2021

**Model:** FDC  
**Meters:**  
**Spare Parts Only:** No  
**Bypass:**

---

**Type:** DC  
**Size:** 6  
**Manual:** 10  
**Approved:** 18-Dec-2018  
**Shutoffs:** (vvvvvv), wwwwww

**Manufacturer:** BEECO  
**Orientation:** H  
**0.25% Pb:** No  
**Renewed:** 18-Dec-2021

**Model:** FDC  
**Meters:**  
**Spare Parts Only:** No  
**Bypass:**

---

**Type:** DC  
**Size:** 6  
**Manual:** 10  
**Approved:** 18-Dec-2018  
**Shutoffs:** (vvvvvv), wwwwww

**Manufacturer:** BEECO  
**Orientation:** VU  
**0.25% Pb:** No  
**Renewed:** 18-Dec-2021

**Model:** FDC  
**Meters:**  
**Spare Parts Only:** No  
**Bypass:**

---

**Type:** DC  
**Size:** 8  
**Manual:** 8  
**Approved:** 22-Jun-1989  
**Shutoffs:** (gg),hh,qq,rr

**Manufacturer:** Cla-Val  
**Orientation:** H  
**0.25% Pb:** No  
**Renewed:** 22-Jun-2022

**Model:** D4  
**Meters:**  
**Spare Parts Only:** Yes  
**Bypass:**

---

**Type:** DC  
**Size:** 10  
**Manual:** 8  
**Approved:** 22-Jun-1989  
**Shutoffs:** (gg),hh,qq,rr

**Manufacturer:** Cla-Val  
**Orientation:** H  
**0.25% Pb:** No  
**Renewed:** 22-Jun-2022

**Model:** D4  
**Meters:**  
**Spare Parts Only:** Yes  
**Bypass:**



**Type:** DC                                      **Manufacturer:** Conbraco                                      **Model:**  
**Size:**    **Orientation:**    **Meters:**  
**Manual:**    **0.25% Pb:** No    **Spare Parts Only:** No  
**Approved:**                                      **Renewed:**    **Bypass:**  
**Notes:** See Apollo/Conbraco

---

**Type:** DC                                      **Manufacturer:** Febco                                      **Model:** 805 Type YD  
**Size:** 2 1/2                                      **Orientation:**    **Meters:**  
**Manual:**    **0.25% Pb:** No    **Spare Parts Only:** No  
**Approved:**                                      **Renewed:**    **Bypass:**  
**Notes:** model designation changed to 805YD

---

**Type:** DC                                      **Manufacturer:** Febco                                      **Model:** 805 Type YD  
**Size:** 3    **Orientation:**    **Meters:**  
**Manual:**    **0.25% Pb:** No    **Spare Parts Only:** No  
**Approved:**                                      **Renewed:**    **Bypass:**  
**Notes:** model designation changed to 805YD

---

**Type:** DC                                      **Manufacturer:** Febco                                      **Model:** 805 Type YD  
**Size:** 4    **Orientation:**    **Meters:**  
**Manual:**    **0.25% Pb:** No    **Spare Parts Only:** No  
**Approved:**                                      **Renewed:**    **Bypass:**  
**Notes:** model designation changed to 805YD

---

**Type:** DC                                      **Manufacturer:** Febco                                      **Model:** 805 Type YD  
**Size:** 6    **Orientation:**    **Meters:**  
**Manual:**    **0.25% Pb:** No    **Spare Parts Only:** No  
**Approved:**                                      **Renewed:**    **Bypass:**  
**Notes:** model designation changed to 805YD

---

**Type:** DC                                      **Manufacturer:** Febco                                      **Model:** 805 Type YD  
**Size:** 8    **Orientation:**    **Meters:**  
**Manual:**    **0.25% Pb:** No    **Spare Parts Only:** No  
**Approved:**                                      **Renewed:**    **Bypass:**  
**Notes:** model designation changed to 805YD

---

**Type:** DC                                      **Manufacturer:** Febco                                      **Model:** 805 Type YD  
**Size:** 10    **Orientation:**    **Meters:**  
**Manual:**    **0.25% Pb:** No    **Spare Parts Only:** No  
**Approved:**                                      **Renewed:**    **Bypass:**  
**Notes:** model designation changed to 805YD

**Type:** DC                                   **Manufacturer:** Febco                                   **Model:** 805Y  
**Size:** 3/4                                   **Orientation:** H                                   **Meters:**  
**Manual:** 6                                   **0.25% Pb:** No                                   **Spare Parts Only:** Yes  
**Approved:** 13-May-1982                                   **Renewed:** 13-May-2021                                   **Bypass:**  
**Shutoffs:** ii,fff,jjj,ooo

---

**Type:** DC                                   **Manufacturer:** Febco                                   **Model:** 805Y  
**Size:** 1                                   **Orientation:** H                                   **Meters:**  
**Manual:** 6                                   **0.25% Pb:** No                                   **Spare Parts Only:** Yes  
**Approved:** 13-May-1982                                   **Renewed:** 13-May-2021                                   **Bypass:**  
**Shutoffs:** ii,fff,jjj,ooo

---

**Type:** DC                                   **Manufacturer:** Febco                                   **Model:** 805Y  
**Size:** 1 1/2                                   **Orientation:** H                                   **Meters:**  
**Manual:** 6                                   **0.25% Pb:** No                                   **Spare Parts Only:** Yes  
**Approved:** 05-Jan-1983                                   **Renewed:** 05-Jan-2022                                   **Bypass:**  
**Shutoffs:** ii,fff,jjj,ooo

---

**Type:** DC                                   **Manufacturer:** Febco                                   **Model:** 805Y  
**Size:** 2                                   **Orientation:** H                                   **Meters:**  
**Manual:** 6                                   **0.25% Pb:** No                                   **Spare Parts Only:** Yes  
**Approved:** 05-Jan-1983                                   **Renewed:** 05-Jan-2022                                   **Bypass:**  
**Shutoffs:** ii,fff,ooo

---

**Type:** DC                                   **Manufacturer:** Febco                                   **Model:** 805YB  
**Size:** 3/4                                   **Orientation:** H                                   **Meters:**  
**Manual:** 8                                   **0.25% Pb:** No                                   **Spare Parts Only:** No  
**Approved:** 04-May-1994                                   **Renewed:** 04-May-2021                                   **Bypass:**  
**Shutoffs:** (ii),fff,jjj,ooo

**Notes:** Replaceable seats beginning with Serial No. A105801

---

**Type:** DC                                   **Manufacturer:** Febco                                   **Model:** 805YB  
**Size:** 3/4                                   **Orientation:** VU                                   **Meters:**  
**Manual:** 8                                   **0.25% Pb:** No                                   **Spare Parts Only:** No  
**Approved:** 16-Apr-1996                                   **Renewed:** 16-Apr-2020                                   **Bypass:**  
**Shutoffs:** (ii),fff,jjj,ooo

**Notes:** Replaceable seats beginning with Serial No. A105801

**Type:** DC                                   **Manufacturer:** Febco                                   **Model:** 805YD  
**Size:** 2 1/2                                   **Orientation:** H                                   **Meters:**  
**Manual:** 7                                   **0.25% Pb:** No                                   **Spare Parts Only:** Yes  
**Approved:** 31-May-1987                                   **Renewed:** 31-May-2020                                   **Bypass:**  
**Shutoffs:** (ee),ff,ll,mm,oo,pp,tt,uu,zzz,ffff,gggg  
**Notes:** formerly 805 Type YD

---

**Type:** DC                                   **Manufacturer:** Febco                                   **Model:** 805YD  
**Size:** 3                                   **Orientation:** H                                   **Meters:**  
**Manual:** 7                                   **0.25% Pb:** No                                   **Spare Parts Only:** Yes  
**Approved:** 31-May-1987                                   **Renewed:** 31-May-2020                                   **Bypass:**  
**Shutoffs:** (ee),ff,ll,mm,oo,pp,tt,uu,zzz,ffff,gggg  
**Notes:** formerly 805 Type YD

---

**Type:** DC                                   **Manufacturer:** Febco                                   **Model:** 805YD  
**Size:** 4                                   **Orientation:** H                                   **Meters:**  
**Manual:** 7                                   **0.25% Pb:** No                                   **Spare Parts Only:** Yes  
**Approved:** 31-May-1987                                   **Renewed:** 31-May-2020                                   **Bypass:**  
**Shutoffs:** (ee),ff,ll,mm,oo,pp,tt,uu,zzz,ffff,gggg  
**Notes:** formerly 805 Type YD

---

**Type:** DC                                   **Manufacturer:** Febco                                   **Model:** 805YD  
**Size:** 6                                   **Orientation:** H                                   **Meters:**  
**Manual:** 7                                   **0.25% Pb:** No                                   **Spare Parts Only:** Yes  
**Approved:** 31-May-1987                                   **Renewed:** 31-May-2020                                   **Bypass:**  
**Shutoffs:** (ee),ff,ll,mm,oo,pp,tt,uu,zzz,ffff,gggg  
**Notes:** formerly 805 Type YD

---

**Type:** DC                                   **Manufacturer:** Febco                                   **Model:** 805YD  
**Size:** 8                                   **Orientation:** H                                   **Meters:**  
**Manual:** 7                                   **0.25% Pb:** No                                   **Spare Parts Only:** Yes  
**Approved:** 31-May-1987                                   **Renewed:** 31-May-2020                                   **Bypass:**  
**Shutoffs:** (ee),ff,ll,mm,oo,pp,tt,uu,zzz,ffff,gggg  
**Notes:** formerly 805 Type YD

---

**Type:** DC                                   **Manufacturer:** Febco                                   **Model:** 805YD  
**Size:** 10                                   **Orientation:** H                                   **Meters:**  
**Manual:** 7                                   **0.25% Pb:** No                                   **Spare Parts Only:** Yes  
**Approved:** 31-May-1987                                   **Renewed:** 31-May-2020                                   **Bypass:**  
**Shutoffs:** (ee),ff,ll,mm,oo,pp,tt,uu,zzz,ffff,gggg  
**Notes:** formerly 805 Type YD

**Type:** DC  
**Size:** 3/4  
**Manual:** 8  
**Approved:** 22-Jan-1993  
**Shutoffs:** ii,fff,jjj,ooo

**Manufacturer:** Febco  
**Orientation:** H  
**0.25% Pb:** No  
**Renewed:** 22-Jan-2020

**Model:** 805YR  
**Meters:**  
**Spare Parts Only:** Yes  
**Bypass:**

---

**Type:** DC  
**Size:** 1  
**Manual:** 8  
**Approved:** 22-Jan-1993  
**Shutoffs:** ii,fff,jjj,ooo

**Manufacturer:** Febco  
**Orientation:** H  
**0.25% Pb:** No  
**Renewed:** 22-Jan-2020

**Model:** 805YR  
**Meters:**  
**Spare Parts Only:** Yes  
**Bypass:**

---

**Type:** DC  
**Size:** 1/2  
**Manual:** 9  
**Approved:** 21-Nov-1997  
**Shutoffs:** (fff),ooo

**Manufacturer:** Febco  
**Orientation:** H  
**0.25% Pb:** No  
**Renewed:** 21-Nov-2021

**Model:** 850  
**Meters:**  
**Spare Parts Only:** No  
**Bypass:**

---

**Type:** DC  
**Size:** 1/2  
**Manual:** 9  
**Approved:** 13-Apr-2000  
**Shutoffs:** (fff),ooo

**Manufacturer:** Febco  
**Orientation:** VD  
**0.25% Pb:** No  
**Renewed:** 13-Apr-2021

**Model:** 850  
**Meters:**  
**Spare Parts Only:** No  
**Bypass:**

---

**Type:** DC  
**Size:** 1/2  
**Manual:** 9  
**Approved:** 17-Dec-1999  
**Shutoffs:** (fff),ooo

**Manufacturer:** Febco  
**Orientation:** VU  
**0.25% Pb:** No  
**Renewed:** 17-Dec-2020

**Model:** 850  
**Meters:**  
**Spare Parts Only:** No  
**Bypass:**

---

**Type:** DC  
**Size:** 3/4  
**Manual:** 9  
**Approved:** 21-Nov-1997  
**Shutoffs:** (fff),jjj,ooo

**Manufacturer:** Febco  
**Orientation:** H  
**0.25% Pb:** No  
**Renewed:** 21-Nov-2021

**Model:** 850  
**Meters:**  
**Spare Parts Only:** No  
**Bypass:**

---

**Type:** DC  
**Size:** 3/4  
**Manual:** 9  
**Approved:** 10-Apr-2000  
**Shutoffs:** (fff),jjj,ooo

**Manufacturer:** Febco  
**Orientation:** VD  
**0.25% Pb:** No  
**Renewed:** 10-Apr-2021

**Model:** 850  
**Meters:**  
**Spare Parts Only:** No  
**Bypass:**

**Type:** DC  
**Size:** 3/4  
**Manual:** 9  
**Approved:** 17-Dec-1999  
**Shutoffs:** (fff),jjj,000

**Manufacturer:** Febco  
**Orientation:** VU  
**0.25% Pb:** No  
**Renewed:** 17-Dec-2020

**Model:** 850  
**Meters:**  
**Spare Parts Only:** No  
**Bypass:**

---

**Type:** DC  
**Size:** 1  
**Manual:** 9  
**Approved:** 21-Nov-1997  
**Shutoffs:** (fff),jjj,000

**Manufacturer:** Febco  
**Orientation:** H  
**0.25% Pb:** No  
**Renewed:** 21-Nov-2021

**Model:** 850  
**Meters:**  
**Spare Parts Only:** No  
**Bypass:**

---

**Type:** DC  
**Size:** 1  
**Manual:** 9  
**Approved:** 14-Jan-2000  
**Shutoffs:** (fff),jjj,000

**Manufacturer:** Febco  
**Orientation:** VD  
**0.25% Pb:** No  
**Renewed:** 14-Jan-2021

**Model:** 850  
**Meters:**  
**Spare Parts Only:** No  
**Bypass:**

---

**Type:** DC  
**Size:** 1  
**Manual:** 9  
**Approved:** 07-Sep-2000  
**Shutoffs:** (fff),jjj,000

**Manufacturer:** Febco  
**Orientation:** VU  
**0.25% Pb:** No  
**Renewed:** 07-Sep-2021

**Model:** 850  
**Meters:**  
**Spare Parts Only:** No  
**Bypass:**

---

**Type:** DC  
**Size:** 1 1/4  
**Manual:** 9  
**Approved:** 21-Nov-1997  
**Shutoffs:** (fff),jjj,000

**Manufacturer:** Febco  
**Orientation:** H  
**0.25% Pb:** No  
**Renewed:** 21-Nov-2021

**Model:** 850  
**Meters:**  
**Spare Parts Only:** No  
**Bypass:**

---

**Type:** DC  
**Size:** 1 1/4  
**Manual:** 9  
**Approved:** 13-Apr-2000  
**Shutoffs:** (fff),jjj,000

**Manufacturer:** Febco  
**Orientation:** VD  
**0.25% Pb:** No  
**Renewed:** 13-Apr-2021

**Model:** 850  
**Meters:**  
**Spare Parts Only:** No  
**Bypass:**

---

**Type:** DC  
**Size:** 1 1/4  
**Manual:** 9  
**Approved:** 17-Jul-1999  
**Shutoffs:** (fff),jjj,000

**Manufacturer:** Febco  
**Orientation:** VU  
**0.25% Pb:** No  
**Renewed:** 17-Jul-2020

**Model:** 850  
**Meters:**  
**Spare Parts Only:** No  
**Bypass:**

Type: DC  
Size: 1 1/2  
Manual: 9  
Approved: 19-Feb-1998  
Shutoffs: (fff),jjj,ooo

Manufacturer: Febco  
Orientation: H  
0.25% Pb: No  
Renewed: 19-Feb-2022

Model: 850  
Meters:  
Spare Parts Only: No  
Bypass:

---

Type: DC  
Size: 1 1/2  
Manual: 9  
Approved: 13-Apr-2000  
Shutoffs: (fff),jjj,ooo

Manufacturer: Febco  
Orientation: VD  
0.25% Pb: No  
Renewed: 13-Apr-2021

Model: 850  
Meters:  
Spare Parts Only: No  
Bypass:

---

Type: DC  
Size: 1 1/2  
Manual: 9  
Approved: 17-Jul-1999  
Shutoffs: (fff),jjj,ooo

Manufacturer: Febco  
Orientation: VU  
0.25% Pb: No  
Renewed: 17-Jul-2020

Model: 850  
Meters:  
Spare Parts Only: No  
Bypass:

---

Type: DC  
Size: 2  
Manual: 9  
Approved: 19-Feb-1998  
Shutoffs: (fff),ooo

Manufacturer: Febco  
Orientation: H  
0.25% Pb: No  
Renewed: 19-Feb-2022

Model: 850  
Meters:  
Spare Parts Only: No  
Bypass:

---

Type: DC  
Size: 2  
Manual: 9  
Approved: 10-Apr-2000  
Shutoffs: (fff),ooo

Manufacturer: Febco  
Orientation: VD  
0.25% Pb: No  
Renewed: 10-Apr-2021

Model: 850  
Meters:  
Spare Parts Only: No  
Bypass:

---

Type: DC  
Size: 2  
Manual: 9  
Approved: 17-Jul-1999  
Shutoffs: (fff),ooo

Manufacturer: Febco  
Orientation: VU  
0.25% Pb: No  
Renewed: 17-Jul-2020

Model: 850  
Meters:  
Spare Parts Only: No  
Bypass:

---

Type: DC  
Size: 2 1/2  
Manual: 8  
Approved: 14-Mar-1997  
Shutoffs: (ee),ff,ll,mm,oo,pp,tt,uu,zzz,cccc,ffff,gggg

Manufacturer: Febco  
Orientation: H  
0.25% Pb: No  
Renewed: 14-Mar-2021

Model: 850  
Meters:  
Spare Parts Only: Yes  
Bypass:

<b>Type:</b> DC	<b>Manufacturer:</b> Febco	<b>Model:</b> 850
<b>Size:</b> 2 1/2	<b>Orientation:</b> VU	<b>Meters:</b>
<b>Manual:</b> 8	<b>0.25% Pb:</b> No	<b>Spare Parts Only:</b> Yes
<b>Approved:</b> 19-Mar-1997	<b>Renewed:</b> 19-Mar-2021	<b>Bypass:</b>
<b>Shutoffs:</b> (ee),ff,ll,mm,oo,pp,tt,uu,zzz,cccc,ffff,gggg		

---

<b>Type:</b> DC	<b>Manufacturer:</b> Febco	<b>Model:</b> 850
<b>Size:</b> 3	<b>Orientation:</b> H	<b>Meters:</b>
<b>Manual:</b> 8	<b>0.25% Pb:</b> No	<b>Spare Parts Only:</b> Yes
<b>Approved:</b> 14-Mar-1997	<b>Renewed:</b> 14-Mar-2021	<b>Bypass:</b>
<b>Shutoffs:</b> (ee),ff,ll,mm,oo,pp,tt,uu,zzz,cccc,ffff,gggg		

---

<b>Type:</b> DC	<b>Manufacturer:</b> Febco	<b>Model:</b> 850
<b>Size:</b> 3	<b>Orientation:</b> VU	<b>Meters:</b>
<b>Manual:</b> 8	<b>0.25% Pb:</b> No	<b>Spare Parts Only:</b> Yes
<b>Approved:</b> 19-Mar-1997	<b>Renewed:</b> 19-Mar-2021	<b>Bypass:</b>
<b>Shutoffs:</b> (ee),ff,ll,mm,oo,pp,tt,uu,zzz,cccc,ffff,gggg		

---

<b>Type:</b> DC	<b>Manufacturer:</b> Febco	<b>Model:</b> 850
<b>Size:</b> 4	<b>Orientation:</b> H	<b>Meters:</b>
<b>Manual:</b> 8	<b>0.25% Pb:</b> No	<b>Spare Parts Only:</b> Yes
<b>Approved:</b> 04-May-1994	<b>Renewed:</b> 04-May-2021	<b>Bypass:</b>
<b>Shutoffs:</b> (ee),ff,ll,mm,oo,pp,tt,uu,nnn,zzz,cccc,ffff,gggg		

---

<b>Type:</b> DC	<b>Manufacturer:</b> Febco	<b>Model:</b> 850
<b>Size:</b> 4	<b>Orientation:</b> VU	<b>Meters:</b>
<b>Manual:</b> 8	<b>0.25% Pb:</b> No	<b>Spare Parts Only:</b> Yes
<b>Approved:</b> 07-Feb-1995	<b>Renewed:</b> 07-Feb-2022	<b>Bypass:</b>
<b>Shutoffs:</b> (ee),ff,ll,mm,oo,pp,tt,uu,nnn,zzz,cccc,ffff,gggg		

---

<b>Type:</b> DC	<b>Manufacturer:</b> Febco	<b>Model:</b> 850
<b>Size:</b> 6	<b>Orientation:</b> H	<b>Meters:</b>
<b>Manual:</b> 8	<b>0.25% Pb:</b> No	<b>Spare Parts Only:</b> Yes
<b>Approved:</b> 04-May-1994	<b>Renewed:</b> 04-May-2021	<b>Bypass:</b>
<b>Shutoffs:</b> (ee),ff,ll,mm,oo,pp,tt,uu,nnn,zzz,cccc,ffff,gggg		

---

<b>Type:</b> DC	<b>Manufacturer:</b> Febco	<b>Model:</b> 850
<b>Size:</b> 6	<b>Orientation:</b> VU	<b>Meters:</b>
<b>Manual:</b> 8	<b>0.25% Pb:</b> No	<b>Spare Parts Only:</b> Yes
<b>Approved:</b> 31-May-1995	<b>Renewed:</b> 31-May-2022	<b>Bypass:</b>
<b>Shutoffs:</b> (ee),ff,ll,mm,oo,pp,tt,uu,nnn,zzz,cccc,ffff,gggg		

**Type:** DC                                  **Manufacturer:** Febco                                  **Model:** 850  
**Size:** 8    **Orientation:** H    **Meters:**  
**Manual:** 8    **0.25% Pb:** No    **Spare Parts Only:** Yes  
**Approved:** 04-Oct-1995                                  **Renewed:** 04-Oct-2019    **Bypass:**  
**Shutoffs:** (ee),ff,ll,mm,oo,pp,tt,uu,nnn,zzz,cccc,ffff,gggg

---

**Type:** DC                                  **Manufacturer:** Febco                                  **Model:** 850  
**Size:** 8    **Orientation:** VU    **Meters:**  
**Manual:** 8    **0.25% Pb:** No    **Spare Parts Only:** Yes  
**Approved:** 14-Oct-1996                                  **Renewed:** 14-Oct-2020    **Bypass:**  
**Shutoffs:** (ee),ff,ll,mm,oo,pp,tt,uu,nnn,zzz,cccc,ffff,gggg

---

**Type:** DC                                  **Manufacturer:** Febco                                  **Model:** 850F  
**Size:** 3/4    **Orientation:** H    **Meters:**  
**Manual:** 9    **0.25% Pb:** No    **Spare Parts Only:** Yes  
**Approved:** 28-Sep-2001                                  **Renewed:** 28-Sep-2019    **Bypass:**  
**Shutoffs:** fff,jjj

---

**Type:** DC                                  **Manufacturer:** Febco                                  **Model:** 850F  
**Size:** 3/4    **Orientation:** VD    **Meters:**  
**Manual:** 9    **0.25% Pb:** No    **Spare Parts Only:** No  
**Approved:** 28-Sep-2001                                  **Renewed:** 28-Sep-2019    **Bypass:**  
**Shutoffs:** (fff),jjj

---

**Type:** DC                                  **Manufacturer:** Febco                                  **Model:** 850F  
**Size:** 3/4    **Orientation:** VU    **Meters:**  
**Manual:** 9    **0.25% Pb:** No    **Spare Parts Only:** No  
**Approved:** 28-Sep-2001                                  **Renewed:** 28-Sep-2019    **Bypass:**  
**Shutoffs:** (fff),jjj

---

**Type:** DC                                  **Manufacturer:** Febco                                  **Model:** 850U  
**Size:** 1/2    **Orientation:** H    **Meters:**  
**Manual:** 9    **0.25% Pb:** No    **Spare Parts Only:** No  
**Approved:** 12-Oct-1998                                  **Renewed:** 12-Oct-2019    **Bypass:**  
**Shutoffs:** (kkk)

---

**Type:** DC                                  **Manufacturer:** Febco                                  **Model:** 850U  
**Size:** 1/2    **Orientation:** VD    **Meters:**  
**Manual:** 9    **0.25% Pb:** No    **Spare Parts Only:** No  
**Approved:** 16-Oct-2000                                  **Renewed:** 16-Oct-2021    **Bypass:**  
**Shutoffs:** (kkk)



**Type:** DC  
**Size:** 1/2  
**Manual:** 9  
**Approved:** 17-Dec-1999  
**Shutoffs:** (kkk)

**Manufacturer:** Febco  
**Orientation:** VU  
**0.25% Pb:** No  
**Renewed:** 17-Dec-2020

**Model:** 850U  
**Meters:**  
**Spare Parts Only:** No  
**Bypass:**

---

**Type:** DC  
**Size:** 3/4  
**Manual:** 9  
**Approved:** 08-Mar-1999  
**Shutoffs:** (kkk)

**Manufacturer:** Febco  
**Orientation:** H  
**0.25% Pb:** No  
**Renewed:** 08-Mar-2020

**Model:** 850U  
**Meters:**  
**Spare Parts Only:** No  
**Bypass:**

---

**Type:** DC  
**Size:** 3/4  
**Manual:** 9  
**Approved:** 16-Oct-2000  
**Shutoffs:** (kkk)

**Manufacturer:** Febco  
**Orientation:** VD  
**0.25% Pb:** No  
**Renewed:** 16-Oct-2021

**Model:** 850U  
**Meters:**  
**Spare Parts Only:** No  
**Bypass:**

---

**Type:** DC  
**Size:** 3/4  
**Manual:** 9  
**Approved:** 17-Dec-1999  
**Shutoffs:** (kkk)

**Manufacturer:** Febco  
**Orientation:** VU  
**0.25% Pb:** No  
**Renewed:** 17-Dec-2020

**Model:** 850U  
**Meters:**  
**Spare Parts Only:** No  
**Bypass:**

---

**Type:** DC  
**Size:** 1  
**Manual:** 9  
**Approved:** 04-Aug-1999  
**Shutoffs:** (kkk)

**Manufacturer:** Febco  
**Orientation:** H  
**0.25% Pb:** No  
**Renewed:** 04-Aug-2020

**Model:** 850U  
**Meters:**  
**Spare Parts Only:** No  
**Bypass:**

---

**Type:** DC  
**Size:** 1  
**Manual:** 9  
**Approved:** 14-Jan-2000  
**Shutoffs:** (kkk)

**Manufacturer:** Febco  
**Orientation:** VD  
**0.25% Pb:** No  
**Renewed:** 14-Jan-2021

**Model:** 850U  
**Meters:**  
**Spare Parts Only:** No  
**Bypass:**

---

**Type:** DC  
**Size:** 1  
**Manual:** 9  
**Approved:** 16-Oct-2000  
**Shutoffs:** (kkk)

**Manufacturer:** Febco  
**Orientation:** VU  
**0.25% Pb:** No  
**Renewed:** 16-Oct-2021

**Model:** 850U  
**Meters:**  
**Spare Parts Only:** No  
**Bypass:**

**Type:** DC  
**Size:** 1 1/4  
**Manual:** 9  
**Approved:** 12-Oct-1998  
**Shutoffs:** (kkk)

**Manufacturer:** Febco  
**Orientation:** H  
**0.25% Pb:** No  
**Renewed:** 12-Oct-2019

**Model:** 850U  
**Meters:**  
**Spare Parts Only:** No  
**Bypass:**

---

**Type:** DC  
**Size:** 1 1/4  
**Manual:** 9  
**Approved:** 16-Oct-2000  
**Shutoffs:** (kkk)

**Manufacturer:** Febco  
**Orientation:** VD  
**0.25% Pb:** No  
**Renewed:** 16-Oct-2021

**Model:** 850U  
**Meters:**  
**Spare Parts Only:** No  
**Bypass:**

---

**Type:** DC  
**Size:** 1 1/4  
**Manual:** 9  
**Approved:** 04-Aug-1999  
**Shutoffs:** (kkk)

**Manufacturer:** Febco  
**Orientation:** VU  
**0.25% Pb:** No  
**Renewed:** 04-Aug-2020

**Model:** 850U  
**Meters:**  
**Spare Parts Only:** No  
**Bypass:**

---

**Type:** DC  
**Size:** 1 1/2  
**Manual:** 9  
**Approved:** 12-Oct-1998  
**Shutoffs:** (kkk)

**Manufacturer:** Febco  
**Orientation:** H  
**0.25% Pb:** No  
**Renewed:** 12-Oct-2019

**Model:** 850U  
**Meters:**  
**Spare Parts Only:** No  
**Bypass:**

---

**Type:** DC  
**Size:** 1 1/2  
**Manual:** 9  
**Approved:** 16-Oct-2000  
**Shutoffs:** (kkk)

**Manufacturer:** Febco  
**Orientation:** VD  
**0.25% Pb:** No  
**Renewed:** 16-Oct-2021

**Model:** 850U  
**Meters:**  
**Spare Parts Only:** No  
**Bypass:**

---

**Type:** DC  
**Size:** 1 1/2  
**Manual:** 9  
**Approved:** 04-Aug-1999  
**Shutoffs:** (kkk)

**Manufacturer:** Febco  
**Orientation:** VU  
**0.25% Pb:** No  
**Renewed:** 04-Aug-2020

**Model:** 850U  
**Meters:**  
**Spare Parts Only:** No  
**Bypass:**

---

**Type:** DC  
**Size:** 2  
**Manual:** 9  
**Approved:** 12-Oct-1998  
**Shutoffs:** (kkk)

**Manufacturer:** Febco  
**Orientation:** H  
**0.25% Pb:** No  
**Renewed:** 12-Oct-2019

**Model:** 850U  
**Meters:**  
**Spare Parts Only:** No  
**Bypass:**

**Type:** DC                      **Manufacturer:** Febco                      **Model:** 850U  
**Size:** 2                      **Orientation:** VD                      **Meters:**  
**Manual:** 9                      **0.25% Pb:** No                      **Spare Parts Only:** No  
**Approved:** 16-Oct-2000                      **Renewed:** 16-Oct-2021                      **Bypass:**  
**Shutoffs:** (kkk)

---

**Type:** DC                      **Manufacturer:** Febco                      **Model:** 850U  
**Size:** 2                      **Orientation:** VU                      **Meters:**  
**Manual:** 9                      **0.25% Pb:** No                      **Spare Parts Only:** No  
**Approved:** 04-Aug-1999                      **Renewed:** 04-Aug-2020                      **Bypass:**  
**Shutoffs:** (kkk)

---

**Type:** DC                      **Manufacturer:** Febco                      **Model:** 857  
**Size:** 2 1/2                      **Orientation:** H                      **Meters:**  
**Manual:** 8                      **0.25% Pb:** No                      **Spare Parts Only:** Yes  
**Approved:** 01-Aug-2006                      **Renewed:** 01-Aug-2021                      **Bypass:**  
**Shutoffs:** (oo), gg, hh,ll, mm, pp, tt, uu, yy, fff

---

**Type:** DC                      **Manufacturer:** Febco                      **Model:** 857  
**Size:** 2 1/2                      **Orientation:** VU                      **Meters:**  
**Manual:** 8                      **0.25% Pb:** No                      **Spare Parts Only:** Yes  
**Approved:** 01-Aug-2006                      **Renewed:** 01-Aug-2021                      **Bypass:**  
**Shutoffs:** (oo), gg, hh,ll, mm, pp, tt, uu, yy, fff

---

**Type:** DC                      **Manufacturer:** Febco                      **Model:** 857  
**Size:** 3                      **Orientation:** H                      **Meters:**  
**Manual:** 8                      **0.25% Pb:** No                      **Spare Parts Only:** Yes  
**Approved:** 01-Aug-2006                      **Renewed:** 01-Aug-2021                      **Bypass:**  
**Shutoffs:** (oo), gg, hh,ll, mm, pp, tt, uu, yy, fff

---

**Type:** DC                      **Manufacturer:** Febco                      **Model:** 857  
**Size:** 3                      **Orientation:** VU                      **Meters:**  
**Manual:** 8                      **0.25% Pb:** No                      **Spare Parts Only:** Yes  
**Approved:** 01-Aug-2006                      **Renewed:** 01-Aug-2021                      **Bypass:**  
**Shutoffs:** (oo), gg, hh,ll, mm, pp, tt, uu, yy, fff

---

**Type:** DC                      **Manufacturer:** Febco                      **Model:** 870  
**Size:** 2 1/2                      **Orientation:** VUVD                      **Meters:**  
**Manual:** 8                      **0.25% Pb:** No                      **Spare Parts Only:** Yes  
**Approved:** 10-Mar-1995                      **Renewed:** 10-Mar-2022                      **Bypass:**  
**Shutoffs:** ee,ff,ll,mm,oo,pp,tt,uu,zzz,ffff,gggg



**Type:** DC                                    **Manufacturer:** Febco                                    **Model:** 870V  
**Size:** 3                                    **Orientation:** VUVD                                    **Meters:**  
**Manual:** 8                                    **0.25% Pb:** No                                    **Spare Parts Only:** Yes  
**Approved:** 08-Mar-1996                                    **Renewed:** 08-Mar-2020                                    **Bypass:**  
**Shutoffs:** (ee),ff,ll,mm,oo,pp,tt,uu,zzz,cccc,ffff,gggg

---

**Type:** DC                                    **Manufacturer:** Febco                                    **Model:** 870V  
**Size:** 3                                    **Orientation:** VUVU                                    **Meters:**  
**Manual:** 8                                    **0.25% Pb:** No                                    **Spare Parts Only:** Yes  
**Approved:** 08-Mar-1996                                    **Renewed:** 08-Mar-2020                                    **Bypass:**  
**Shutoffs:** (ee),ff,ll,mm,oo,pp,tt,uu,zzz,cccc,ffff,gggg

---

**Type:** DC                                    **Manufacturer:** Febco                                    **Model:** 870V  
**Size:** 4                                    **Orientation:** VUVD                                    **Meters:**  
**Manual:** 8                                    **0.25% Pb:** No                                    **Spare Parts Only:** Yes  
**Approved:** 08-Mar-1996                                    **Renewed:** 08-Mar-2020                                    **Bypass:**  
**Shutoffs:** (ee),ff,ll,mm,oo,pp,tt,uu,zzz,cccc,ffff,gggg

---

**Type:** DC                                    **Manufacturer:** Febco                                    **Model:** 870V  
**Size:** 4                                    **Orientation:** VUVU                                    **Meters:**  
**Manual:** 8                                    **0.25% Pb:** No                                    **Spare Parts Only:** Yes  
**Approved:** 08-Mar-1996                                    **Renewed:** 08-Mar-2020                                    **Bypass:**  
**Shutoffs:** (ee),ff,ll,mm,oo,pp,tt,uu,zzz,cccc,ffff,gggg

---

**Type:** DC                                    **Manufacturer:** Febco                                    **Model:** 870V  
**Size:** 6                                    **Orientation:** VUVD                                    **Meters:**  
**Manual:** 8                                    **0.25% Pb:** No                                    **Spare Parts Only:** Yes  
**Approved:** 08-Mar-1996                                    **Renewed:** 08-Mar-2020                                    **Bypass:**  
**Shutoffs:** (ee),ff,ll,mm,oo,pp,tt,uu,zzz,cccc,ffff,gggg

---

**Type:** DC                                    **Manufacturer:** Febco                                    **Model:** 870V  
**Size:** 6                                    **Orientation:** VUVU                                    **Meters:**  
**Manual:** 8                                    **0.25% Pb:** No                                    **Spare Parts Only:** Yes  
**Approved:** 08-Mar-1996                                    **Renewed:** 08-Mar-2020                                    **Bypass:**  
**Shutoffs:** (ee),ff,ll,mm,oo,pp,tt,uu,zzz,cccc,ffff,gggg

---

**Type:** DC                                    **Manufacturer:** Febco                                    **Model:** 870V  
**Size:** 8                                    **Orientation:** VUVD                                    **Meters:**  
**Manual:** 8                                    **0.25% Pb:** No                                    **Spare Parts Only:** Yes  
**Approved:** 06-Jan-1997                                    **Renewed:** 06-Jan-2020                                    **Bypass:**  
**Shutoffs:** (ee),ff,ll,mm,oo,pp,tt,uu,zzz,cccc,ffff,gggg

**Type:** DC                               **Manufacturer:** Febco                               **Model:** 870V  
**Size:** 8                                   **Orientation:** VUVU                               **Meters:**  
**Manual:** 8                               **0.25% Pb:** No                                   **Spare Parts Only:** Yes  
**Approved:** 06-Jan-1997                               **Renewed:** 06-Jan-2020                               **Bypass:**  
**Shutoffs:** (ee),ff,ll,mm,oo,pp,tt,uu,zzz,cccc,ffff,gggg

---

**Type:** DC                               **Manufacturer:** Febco                               **Model:** 870V  
**Size:** 10                                   **Orientation:** VUVD                               **Meters:**  
**Manual:** 8                               **0.25% Pb:** No                                   **Spare Parts Only:** Yes  
**Approved:** 11-Jul-1997                               **Renewed:** 11-Jul-2021                               **Bypass:**  
**Shutoffs:** (ee),ff,ll,mm,oo,pp,tt,uu,zzz,cccc,dddd,eeee,ffff,gggg,nnnnn

---

**Type:** DC                               **Manufacturer:** Febco                               **Model:** 870V  
**Size:** 10                                   **Orientation:** VUVU                               **Meters:**  
**Manual:** 8                               **0.25% Pb:** No                                   **Spare Parts Only:** Yes  
**Approved:** 11-Jul-1997                               **Renewed:** 11-Jul-2021                               **Bypass:**  
**Shutoffs:** (ee),ff,ll,mm,oo,pp,tt,uu,zzz,cccc,dddd,eeee,ffff,gggg,nnnnn

---

**Type:** DC                               **Manufacturer:** Febco                               **Model:** LF850  
**Size:** 1/2                                   **Orientation:** H                                   **Meters:**  
**Manual:** 9                               **0.25% Pb:** Yes                                   **Spare Parts Only:** No  
**Approved:** 18-Feb-2010                               **Renewed:** 18-Feb-2022                               **Bypass:**  
**Shutoffs:** (qqqqq), hhhh

---

**Type:** DC                               **Manufacturer:** Febco                               **Model:** LF850  
**Size:** 1/2                                   **Orientation:** VD                                   **Meters:**  
**Manual:** 9                               **0.25% Pb:** Yes                                   **Spare Parts Only:** No  
**Approved:** 31-Jul-2019                               **Renewed:** 31-Jul-2022                               **Bypass:**  
**Shutoffs:** (qqqqq), hhhh

---

**Type:** DC                               **Manufacturer:** Febco                               **Model:** LF850  
**Size:** 1/2                                   **Orientation:** VU                                   **Meters:**  
**Manual:** 9                               **0.25% Pb:** Yes                                   **Spare Parts Only:** No  
**Approved:** 31-Jul-2019                               **Renewed:** 31-Jul-2022                               **Bypass:**  
**Shutoffs:** (qqqqq), hhhh

---

**Type:** DC                               **Manufacturer:** Febco                               **Model:** LF850  
**Size:** 3/4                                   **Orientation:** H                                   **Meters:**  
**Manual:** 9                               **0.25% Pb:** Yes                                   **Spare Parts Only:** No  
**Approved:** 18-Feb-2010                               **Renewed:** 18-Feb-2022                               **Bypass:**  
**Shutoffs:** (qqqqq), hhhh

**Type:** DC  
**Size:** 3/4  
**Manual:** 9  
**Approved:** 31-Jul-2019  
**Shutoffs:** (qqqqq), hhhh

**Manufacturer:** Febco  
**Orientation:** VD  
**0.25% Pb:** Yes  
**Renewed:** 31-Jul-2022

**Model:** LF850  
**Meters:**  
**Spare Parts Only:** No  
**Bypass:**

---

**Type:** DC  
**Size:** 3/4  
**Manual:** 9  
**Approved:** 31-Jul-2019  
**Shutoffs:** (qqqqq), hhhh

**Manufacturer:** Febco  
**Orientation:** VU  
**0.25% Pb:** Yes  
**Renewed:** 31-Jul-2022

**Model:** LF850  
**Meters:**  
**Spare Parts Only:** No  
**Bypass:**

---

**Type:** DC  
**Size:** 1  
**Manual:** 9  
**Approved:** 18-Feb-2010  
**Shutoffs:** (qqqqq), hhhh

**Manufacturer:** Febco  
**Orientation:** H  
**0.25% Pb:** Yes  
**Renewed:** 18-Feb-2022

**Model:** LF850  
**Meters:**  
**Spare Parts Only:** No  
**Bypass:**

---

**Type:** DC  
**Size:** 1  
**Manual:** 9  
**Approved:** 31-Jul-2019  
**Shutoffs:** (qqqqq), hhhh

**Manufacturer:** Febco  
**Orientation:** VD  
**0.25% Pb:** Yes  
**Renewed:** 31-Jul-2022

**Model:** LF850  
**Meters:**  
**Spare Parts Only:** No  
**Bypass:**

---

**Type:** DC  
**Size:** 1  
**Manual:** 9  
**Approved:** 31-Jul-2019  
**Shutoffs:** (qqqqq), hhhh

**Manufacturer:** Febco  
**Orientation:** VU  
**0.25% Pb:** Yes  
**Renewed:** 31-Jul-2022

**Model:** LF850  
**Meters:**  
**Spare Parts Only:** No  
**Bypass:**

---

**Type:** DC  
**Size:** 1 1/4  
**Manual:** 9  
**Approved:** 18-Feb-2010  
**Shutoffs:** (qqqqq), hhhh

**Manufacturer:** Febco  
**Orientation:** H  
**0.25% Pb:** Yes  
**Renewed:** 18-Feb-2022

**Model:** LF850  
**Meters:**  
**Spare Parts Only:** No  
**Bypass:**

---

**Type:** DC  
**Size:** 1 1/4  
**Manual:** 9  
**Approved:** 31-Jul-2019  
**Shutoffs:** (qqqqq), hhhh

**Manufacturer:** Febco  
**Orientation:** VD  
**0.25% Pb:** Yes  
**Renewed:** 31-Jul-2022

**Model:** LF850  
**Meters:**  
**Spare Parts Only:** No  
**Bypass:**

**Type:** DC  
**Size:** 1 1/4  
**Manual:** 9  
**Approved:** 31-Jul-2019  
**Shutoffs:** (qqqqq), hhhh

**Manufacturer:** Febco  
**Orientation:** VU  
**0.25% Pb:** Yes  
**Renewed:** 31-Jul-2022

**Model:** LF850  
**Meters:**  
**Spare Parts Only:** No  
**Bypass:**

---

**Type:** DC  
**Size:** 1 1/2  
**Manual:** 9  
**Approved:** 18-Feb-2010  
**Shutoffs:** (qqqqq), hhhh

**Manufacturer:** Febco  
**Orientation:** H  
**0.25% Pb:** Yes  
**Renewed:** 18-Feb-2022

**Model:** LF850  
**Meters:**  
**Spare Parts Only:** No  
**Bypass:**

---

**Type:** DC  
**Size:** 1 1/2  
**Manual:** 9  
**Approved:** 31-Jul-2019  
**Shutoffs:** (qqqqq), hhhh

**Manufacturer:** Febco  
**Orientation:** VD  
**0.25% Pb:** Yes  
**Renewed:** 31-Jul-2022

**Model:** LF850  
**Meters:**  
**Spare Parts Only:** No  
**Bypass:**

---

**Type:** DC  
**Size:** 1 1/2  
**Manual:** 9  
**Approved:** 31-Jul-2019  
**Shutoffs:** (qqqqq), hhhh

**Manufacturer:** Febco  
**Orientation:** VU  
**0.25% Pb:** Yes  
**Renewed:** 31-Jul-2022

**Model:** LF850  
**Meters:**  
**Spare Parts Only:** No  
**Bypass:**

---

**Type:** DC  
**Size:** 2  
**Manual:** 9  
**Approved:** 18-Feb-2010  
**Shutoffs:** (qqqqq), hhhh

**Manufacturer:** Febco  
**Orientation:** H  
**0.25% Pb:** Yes  
**Renewed:** 18-Feb-2022

**Model:** LF850  
**Meters:**  
**Spare Parts Only:** No  
**Bypass:**

---

**Type:** DC  
**Size:** 2  
**Manual:** 9  
**Approved:** 31-Jul-2019  
**Shutoffs:** (qqqqq), hhhh

**Manufacturer:** Febco  
**Orientation:** VD  
**0.25% Pb:** Yes  
**Renewed:** 31-Jul-2022

**Model:** LF850  
**Meters:**  
**Spare Parts Only:** No  
**Bypass:**

---

**Type:** DC  
**Size:** 2  
**Manual:** 9  
**Approved:** 31-Jul-2019  
**Shutoffs:** (qqqqq), hhhh

**Manufacturer:** Febco  
**Orientation:** VU  
**0.25% Pb:** Yes  
**Renewed:** 31-Jul-2022

**Model:** LF850  
**Meters:**  
**Spare Parts Only:** No  
**Bypass:**



<b>Type:</b> DC	<b>Manufacturer:</b> Febco	<b>Model:</b> LF850
<b>Size:</b> 2 1/2	<b>Orientation:</b> H	<b>Meters:</b>
<b>Manual:</b> 9	<b>0.25% Pb:</b> Yes	<b>Spare Parts Only:</b> No
<b>Approved:</b> 22-May-2012	<b>Renewed:</b> 22-May-2021	<b>Bypass:</b>
<b>Shutoffs:</b> (mm),ll,oo,pp,zzz,cccc,dddd,eeee,ffff,gggg,nnnnn		

---

<b>Type:</b> DC	<b>Manufacturer:</b> Febco	<b>Model:</b> LF850
<b>Size:</b> 2 1/2	<b>Orientation:</b> VU	<b>Meters:</b>
<b>Manual:</b> 9	<b>0.25% Pb:</b> Yes	<b>Spare Parts Only:</b> No
<b>Approved:</b> 22-May-2012	<b>Renewed:</b> 22-May-2021	<b>Bypass:</b>
<b>Shutoffs:</b> (mm),ll,oo,pp,zzz,cccc,dddd,eeee,ffff,gggg,nnnnn		

---

<b>Type:</b> DC	<b>Manufacturer:</b> Febco	<b>Model:</b> LF850
<b>Size:</b> 3	<b>Orientation:</b> H	<b>Meters:</b>
<b>Manual:</b> 9	<b>0.25% Pb:</b> Yes	<b>Spare Parts Only:</b> No
<b>Approved:</b> 22-May-2012	<b>Renewed:</b> 22-May-2021	<b>Bypass:</b>
<b>Shutoffs:</b> (mm),ll,oo,pp,zzz,cccc,dddd,eeee,ffff,gggg,nnnnn		

---

<b>Type:</b> DC	<b>Manufacturer:</b> Febco	<b>Model:</b> LF850
<b>Size:</b> 3	<b>Orientation:</b> VU	<b>Meters:</b>
<b>Manual:</b> 9	<b>0.25% Pb:</b> Yes	<b>Spare Parts Only:</b> No
<b>Approved:</b> 22-May-2012	<b>Renewed:</b> 22-May-2021	<b>Bypass:</b>
<b>Shutoffs:</b> (mm),ll,oo,pp,zzz,cccc,dddd,eeee,ffff,gggg,nnnnn		

---

<b>Type:</b> DC	<b>Manufacturer:</b> Febco	<b>Model:</b> LF850
<b>Size:</b> 4	<b>Orientation:</b> H	<b>Meters:</b>
<b>Manual:</b> 9	<b>0.25% Pb:</b> Yes	<b>Spare Parts Only:</b> No
<b>Approved:</b> 22-May-2012	<b>Renewed:</b> 22-May-2021	<b>Bypass:</b>
<b>Shutoffs:</b> (mm),ll,oo,pp,zzz,cccc,dddd,eeee,ffff,gggg,nnnnn		

---

<b>Type:</b> DC	<b>Manufacturer:</b> Febco	<b>Model:</b> LF850
<b>Size:</b> 4	<b>Orientation:</b> VU	<b>Meters:</b>
<b>Manual:</b> 9	<b>0.25% Pb:</b> Yes	<b>Spare Parts Only:</b> No
<b>Approved:</b> 22-May-2012	<b>Renewed:</b> 22-May-2021	<b>Bypass:</b>
<b>Shutoffs:</b> (mm),ll,oo,pp,zzz,cccc,dddd,eeee,ffff,gggg,nnnnn		

---

<b>Type:</b> DC	<b>Manufacturer:</b> Febco	<b>Model:</b> LF850
<b>Size:</b> 6	<b>Orientation:</b> H	<b>Meters:</b>
<b>Manual:</b> 9	<b>0.25% Pb:</b> Yes	<b>Spare Parts Only:</b> No
<b>Approved:</b> 22-May-2012	<b>Renewed:</b> 22-May-2021	<b>Bypass:</b>
<b>Shutoffs:</b> (mm),ll,oo,pp,zzz,cccc,dddd,eeee,ffff,gggg,nnnnn		

<b>Type:</b> DC	<b>Manufacturer:</b> Febco	<b>Model:</b> LF850
<b>Size:</b> 6	<b>Orientation:</b> VU	<b>Meters:</b>
<b>Manual:</b> 9	<b>0.25% Pb:</b> Yes	<b>Spare Parts Only:</b> No
<b>Approved:</b> 22-May-2012	<b>Renewed:</b> 22-May-2021	<b>Bypass:</b>
<b>Shutoffs:</b> (mm),ll,oo,pp,zzz,cccc,dddd,eeee,ffff,gggg,nnnnn		
<hr/>		
<b>Type:</b> DC	<b>Manufacturer:</b> Febco	<b>Model:</b> LF850
<b>Size:</b> 8	<b>Orientation:</b> H	<b>Meters:</b>
<b>Manual:</b> 9	<b>0.25% Pb:</b> Yes	<b>Spare Parts Only:</b> No
<b>Approved:</b> 22-May-2012	<b>Renewed:</b> 22-May-2021	<b>Bypass:</b>
<b>Shutoffs:</b> (mm),ll,oo,pp,zzz,cccc,dddd,eeee,ffff,gggg,nnnnn		
<hr/>		
<b>Type:</b> DC	<b>Manufacturer:</b> Febco	<b>Model:</b> LF850
<b>Size:</b> 8	<b>Orientation:</b> VU	<b>Meters:</b>
<b>Manual:</b> 9	<b>0.25% Pb:</b> Yes	<b>Spare Parts Only:</b> No
<b>Approved:</b> 22-May-2012	<b>Renewed:</b> 22-May-2021	<b>Bypass:</b>
<b>Shutoffs:</b> (mm),ll,oo,pp,zzz,cccc,dddd,eeee,ffff,gggg,nnnnn		
<hr/>		
<b>Type:</b> DC	<b>Manufacturer:</b> Febco	<b>Model:</b> LF850
<b>Size:</b> 10	<b>Orientation:</b> H	<b>Meters:</b>
<b>Manual:</b> 9	<b>0.25% Pb:</b> Yes	<b>Spare Parts Only:</b> No
<b>Approved:</b> 24-Jun-2013	<b>Renewed:</b> 24-Jun-2022	<b>Bypass:</b>
<b>Shutoffs:</b> (mm),ll,oo,pp,zzz,cccc,dddd,eeee,ffff,gggg,nnnnn		
<hr/>		
<b>Type:</b> DC	<b>Manufacturer:</b> Febco	<b>Model:</b> LF850
<b>Size:</b> 10	<b>Orientation:</b> VU	<b>Meters:</b>
<b>Manual:</b> 9	<b>0.25% Pb:</b> Yes	<b>Spare Parts Only:</b> No
<b>Approved:</b> 24-Jun-2013	<b>Renewed:</b> 24-Jun-2022	<b>Bypass:</b>
<b>Shutoffs:</b> (mm),ll,oo,pp,zzz,cccc,dddd,eeee,ffff,gggg,nnnnn		
<hr/>		
<b>Type:</b> DC	<b>Manufacturer:</b> Febco	<b>Model:</b> LF850U
<b>Size:</b> 1/2	<b>Orientation:</b> H	<b>Meters:</b>
<b>Manual:</b> 9	<b>0.25% Pb:</b> Yes	<b>Spare Parts Only:</b> No
<b>Approved:</b> 03-Sep-2013	<b>Renewed:</b> 03-Sep-2022	<b>Bypass:</b>
<b>Shutoffs:</b> (ppppp), hhhh		
<hr/>		
<b>Type:</b> DC	<b>Manufacturer:</b> Febco	<b>Model:</b> LF850U
<b>Size:</b> 1/2	<b>Orientation:</b> VD	<b>Meters:</b>
<b>Manual:</b> 9	<b>0.25% Pb:</b> Yes	<b>Spare Parts Only:</b> No
<b>Approved:</b> 31-Jul-2019	<b>Renewed:</b> 31-Jul-2022	<b>Bypass:</b>
<b>Shutoffs:</b> (ppppp), hhhh		

**Type:** DC  
**Size:** 1/2  
**Manual:** 9  
**Approved:** 31-Jul-2019  
**Shutoffs:** (ppppp), hhhh

**Manufacturer:** Febco  
**Orientation:** VU  
**0.25% Pb:** Yes  
**Renewed:** 31-Jul-2022

**Model:** LF850U  
**Meters:**  
**Spare Parts Only:** No  
**Bypass:**

---

**Type:** DC  
**Size:** 3/4  
**Manual:** 9  
**Approved:** 03-Sep-2013  
**Shutoffs:** (ppppp), hhhh

**Manufacturer:** Febco  
**Orientation:** H  
**0.25% Pb:** Yes  
**Renewed:** 03-Sep-2022

**Model:** LF850U  
**Meters:**  
**Spare Parts Only:** No  
**Bypass:**

---

**Type:** DC  
**Size:** 3/4  
**Manual:** 9  
**Approved:** 31-Jul-2019  
**Shutoffs:** (ppppp), hhhh

**Manufacturer:** Febco  
**Orientation:** VD  
**0.25% Pb:** Yes  
**Renewed:** 31-Jul-2022

**Model:** LF850U  
**Meters:**  
**Spare Parts Only:** No  
**Bypass:**

---

**Type:** DC  
**Size:** 3/4  
**Manual:** 9  
**Approved:** 31-Jul-2019  
**Shutoffs:** (ppppp), hhhh

**Manufacturer:** Febco  
**Orientation:** VU  
**0.25% Pb:** Yes  
**Renewed:** 31-Jul-2022

**Model:** LF850U  
**Meters:**  
**Spare Parts Only:** No  
**Bypass:**

---

**Type:** DC  
**Size:** 1  
**Manual:** 9  
**Approved:** 03-Sep-2013  
**Shutoffs:** (ppppp), hhhh

**Manufacturer:** Febco  
**Orientation:** H  
**0.25% Pb:** Yes  
**Renewed:** 03-Sep-2022

**Model:** LF850U  
**Meters:**  
**Spare Parts Only:** No  
**Bypass:**

---

**Type:** DC  
**Size:** 1  
**Manual:** 9  
**Approved:** 31-Jul-2019  
**Shutoffs:** (ppppp), hhhh

**Manufacturer:** Febco  
**Orientation:** VD  
**0.25% Pb:** Yes  
**Renewed:** 31-Jul-2022

**Model:** LF850U  
**Meters:**  
**Spare Parts Only:** No  
**Bypass:**

---

**Type:** DC  
**Size:** 1  
**Manual:** 9  
**Approved:** 31-Jul-2019  
**Shutoffs:** (ppppp), hhhh

**Manufacturer:** Febco  
**Orientation:** VU  
**0.25% Pb:** Yes  
**Renewed:** 31-Jul-2022

**Model:** LF850U  
**Meters:**  
**Spare Parts Only:** No  
**Bypass:**

**Type:** DC  
**Size:** 1 1/4  
**Manual:** 9  
**Approved:** 03-Sep-2013  
**Shutoffs:** (ppppp), hhhh

**Manufacturer:** Febco  
**Orientation:** H  
**0.25% Pb:** Yes  
**Renewed:** 03-Sep-2022

**Model:** LF850U  
**Meters:**  
**Spare Parts Only:** No  
**Bypass:**

---

**Type:** DC  
**Size:** 1 1/4  
**Manual:** 9  
**Approved:** 31-Jul-2019  
**Shutoffs:** (ppppp), hhhh

**Manufacturer:** Febco  
**Orientation:** VD  
**0.25% Pb:** Yes  
**Renewed:** 31-Jul-2022

**Model:** LF850U  
**Meters:**  
**Spare Parts Only:** No  
**Bypass:**

---

**Type:** DC  
**Size:** 1 1/4  
**Manual:** 9  
**Approved:** 31-Jul-2019  
**Shutoffs:** (ppppp), hhhh

**Manufacturer:** Febco  
**Orientation:** VU  
**0.25% Pb:** Yes  
**Renewed:** 31-Jul-2022

**Model:** LF850U  
**Meters:**  
**Spare Parts Only:** No  
**Bypass:**

---

**Type:** DC  
**Size:** 1 1/2  
**Manual:** 9  
**Approved:** 03-Sep-2013  
**Shutoffs:** (ppppp), hhhh

**Manufacturer:** Febco  
**Orientation:** H  
**0.25% Pb:** Yes  
**Renewed:** 03-Sep-2022

**Model:** LF850U  
**Meters:**  
**Spare Parts Only:** No  
**Bypass:**

---

**Type:** DC  
**Size:** 1 1/2  
**Manual:** 9  
**Approved:** 31-Jul-2019  
**Shutoffs:** (ppppp), hhhh

**Manufacturer:** Febco  
**Orientation:** VD  
**0.25% Pb:** Yes  
**Renewed:** 31-Jul-2022

**Model:** LF850U  
**Meters:**  
**Spare Parts Only:** No  
**Bypass:**

---

**Type:** DC  
**Size:** 1 1/2  
**Manual:** 9  
**Approved:** 31-Jul-2019  
**Shutoffs:** (ppppp), hhhh

**Manufacturer:** Febco  
**Orientation:** VU  
**0.25% Pb:** Yes  
**Renewed:** 31-Jul-2022

**Model:** LF850U  
**Meters:**  
**Spare Parts Only:** No  
**Bypass:**

---

**Type:** DC  
**Size:** 2  
**Manual:** 9  
**Approved:** 03-Sep-2013  
**Shutoffs:** (ppppp), hhhh

**Manufacturer:** Febco  
**Orientation:** H  
**0.25% Pb:** Yes  
**Renewed:** 03-Sep-2022

**Model:** LF850U  
**Meters:**  
**Spare Parts Only:** No  
**Bypass:**

**Type:** DC  
**Size:** 2  
**Manual:** 9  
**Approved:** 31-Jul-2019  
**Shutoffs:** (ppppp), hhhh

**Manufacturer:** Febco  
**Orientation:** VD  
**0.25% Pb:** Yes  
**Renewed:** 31-Jul-2022

**Model:** LF850U  
**Meters:**  
**Spare Parts Only:** No  
**Bypass:**

---

**Type:** DC  
**Size:** 2  
**Manual:** 9  
**Approved:** 31-Jul-2019  
**Shutoffs:** (ppppp), hhhh

**Manufacturer:** Febco  
**Orientation:** VU  
**0.25% Pb:** Yes  
**Renewed:** 31-Jul-2022

**Model:** LF850U  
**Meters:**  
**Spare Parts Only:** No  
**Bypass:**

---

**Type:** DC  
**Size:** 2 1/2  
**Manual:** 9  
**Approved:** 09-Aug-2012  
**Shutoffs:** (mm),ll,oo,pp,zzz,cccc,dddd,eeee,ffff,gggg,nnnnn

**Manufacturer:** Febco  
**Orientation:** VUVD  
**0.25% Pb:** Yes  
**Renewed:** 09-Aug-2021

**Model:** LF870V  
**Meters:**  
**Spare Parts Only:** No  
**Bypass:**

---

**Type:** DC  
**Size:** 2 1/2  
**Manual:** 9  
**Approved:** 09-Aug-2012  
**Shutoffs:** (mm),ll,oo,pp,zzz,cccc,dddd,eeee,ffff,gggg,nnnnn

**Manufacturer:** Febco  
**Orientation:** VUVU  
**0.25% Pb:** Yes  
**Renewed:** 09-Aug-2021

**Model:** LF870V  
**Meters:**  
**Spare Parts Only:** No  
**Bypass:**

---

**Type:** DC  
**Size:** 3  
**Manual:** 9  
**Approved:** 22-May-2012  
**Shutoffs:** (mm),ll,oo,pp,zzz,cccc,dddd,eeee,ffff,gggg,nnnnn

**Manufacturer:** Febco  
**Orientation:** VUVD  
**0.25% Pb:** Yes  
**Renewed:** 22-May-2021

**Model:** LF870V  
**Meters:**  
**Spare Parts Only:** No  
**Bypass:**

---

**Type:** DC  
**Size:** 3  
**Manual:** 9  
**Approved:** 22-May-2012  
**Shutoffs:** (mm),ll,oo,pp,zzz,cccc,dddd,eeee,ffff,gggg,nnnnn

**Manufacturer:** Febco  
**Orientation:** VUVU  
**0.25% Pb:** Yes  
**Renewed:** 22-May-2021

**Model:** LF870V  
**Meters:**  
**Spare Parts Only:** No  
**Bypass:**

---

**Type:** DC  
**Size:** 4  
**Manual:** 9  
**Approved:** 22-May-2012  
**Shutoffs:** (mm),ll,oo,pp,zzz,cccc,dddd,eeee,ffff,gggg,nnnnn

**Manufacturer:** Febco  
**Orientation:** VUVD  
**0.25% Pb:** Yes  
**Renewed:** 22-May-2021

**Model:** LF870V  
**Meters:**  
**Spare Parts Only:** No  
**Bypass:**

<b>Type:</b> DC	<b>Manufacturer:</b> Febco	<b>Model:</b> LF870V
<b>Size:</b> 4	<b>Orientation:</b> VUVU	<b>Meters:</b>
<b>Manual:</b> 9	<b>0.25% Pb:</b> Yes	<b>Spare Parts Only:</b> No
<b>Approved:</b> 22-May-2012	<b>Renewed:</b> 22-May-2021	<b>Bypass:</b>
<b>Shutoffs:</b> (mm),ll,oo,pp,zzz,cccc,dddd,eeee,ffff,gggg,nnnnn		

---

<b>Type:</b> DC	<b>Manufacturer:</b> Febco	<b>Model:</b> LF870V
<b>Size:</b> 6	<b>Orientation:</b> VUVD	<b>Meters:</b>
<b>Manual:</b> 9	<b>0.25% Pb:</b> Yes	<b>Spare Parts Only:</b> No
<b>Approved:</b> 22-May-2012	<b>Renewed:</b> 22-May-2021	<b>Bypass:</b>
<b>Shutoffs:</b> (mm),ll,oo,pp,zzz,cccc,dddd,eeee,ffff,gggg,nnnnn		

---

<b>Type:</b> DC	<b>Manufacturer:</b> Febco	<b>Model:</b> LF870V
<b>Size:</b> 6	<b>Orientation:</b> VUVU	<b>Meters:</b>
<b>Manual:</b> 9	<b>0.25% Pb:</b> Yes	<b>Spare Parts Only:</b> No
<b>Approved:</b> 22-May-2012	<b>Renewed:</b> 22-May-2021	<b>Bypass:</b>
<b>Shutoffs:</b> (mm),ll,oo,pp,zzz,cccc,dddd,eeee,ffff,gggg,nnnnn		

---

<b>Type:</b> DC	<b>Manufacturer:</b> Febco	<b>Model:</b> LF870V
<b>Size:</b> 8	<b>Orientation:</b> VUVD	<b>Meters:</b>
<b>Manual:</b> 9	<b>0.25% Pb:</b> Yes	<b>Spare Parts Only:</b> No
<b>Approved:</b> 22-May-2012	<b>Renewed:</b> 22-May-2021	<b>Bypass:</b>
<b>Shutoffs:</b> (mm),ll,oo,pp,zzz,cccc,dddd,eeee,ffff,gggg,nnnnn		

---

<b>Type:</b> DC	<b>Manufacturer:</b> Febco	<b>Model:</b> LF870V
<b>Size:</b> 8	<b>Orientation:</b> VUVU	<b>Meters:</b>
<b>Manual:</b> 9	<b>0.25% Pb:</b> Yes	<b>Spare Parts Only:</b> No
<b>Approved:</b> 22-May-2012	<b>Renewed:</b> 22-May-2021	<b>Bypass:</b>
<b>Shutoffs:</b> (mm),ll,oo,pp,zzz,cccc,dddd,eeee,ffff,gggg,nnnnn		

---

<b>Type:</b> DC	<b>Manufacturer:</b> Febco	<b>Model:</b> LF870V
<b>Size:</b> 10	<b>Orientation:</b> VUVD	<b>Meters:</b>
<b>Manual:</b> 10	<b>0.25% Pb:</b> Yes	<b>Spare Parts Only:</b> No
<b>Approved:</b> 29-May-2018	<b>Renewed:</b> 29-May-2021	<b>Bypass:</b>
<b>Shutoffs:</b> (mm),ll,oo,pp,zzz,cccc,dddd,eeee,ffff,gggg,nnnnn		

---

<b>Type:</b> DC	<b>Manufacturer:</b> Febco	<b>Model:</b> LF870V
<b>Size:</b> 10	<b>Orientation:</b> VUVU	<b>Meters:</b>
<b>Manual:</b> 10	<b>0.25% Pb:</b> Yes	<b>Spare Parts Only:</b> No
<b>Approved:</b> 29-May-2018	<b>Renewed:</b> 29-May-2021	<b>Bypass:</b>
<b>Shutoffs:</b> (mm),ll,oo,pp,zzz,cccc,dddd,eeee,ffff,gggg,nnnnn		

---

<b>Type:</b> DC	<b>Manufacturer:</b> Febco	<b>Model:</b> LF870W
<b>Size:</b> 4	<b>Orientation:</b> VUVD	<b>Meters:</b>
<b>Manual:</b> 9	<b>0.25% Pb:</b> Yes	<b>Spare Parts Only:</b> No
<b>Approved:</b> 26-Mar-2020	<b>Renewed:</b>	<b>Bypass:</b>
<b>Shutoffs:</b> (mm), ll,oo,pp,zzz,cccc,dddd,eeee,ffff,gggg,nnnnn		

---

<b>Type:</b> DC	<b>Manufacturer:</b> Febco	<b>Model:</b> LF870W
<b>Size:</b> 4	<b>Orientation:</b> VUVU	<b>Meters:</b>
<b>Manual:</b> 9	<b>0.25% Pb:</b> Yes	<b>Spare Parts Only:</b> No
<b>Approved:</b> 26-Mar-2020	<b>Renewed:</b>	<b>Bypass:</b>
<b>Shutoffs:</b> (mm), ll,oo,pp,zzz,cccc,dddd,eeee,ffff,gggg,nnnnn		

---

<b>Type:</b> DC	<b>Manufacturer:</b> Febco	<b>Model:</b> LF870W
<b>Size:</b> 6	<b>Orientation:</b> VUVD	<b>Meters:</b>
<b>Manual:</b> 9	<b>0.25% Pb:</b> Yes	<b>Spare Parts Only:</b> No
<b>Approved:</b> 26-Mar-2020	<b>Renewed:</b>	<b>Bypass:</b>
<b>Shutoffs:</b> (mm), ll,oo,pp,zzz,cccc,dddd,eeee,ffff,gggg,nnnnn		

---

<b>Type:</b> DC	<b>Manufacturer:</b> Febco	<b>Model:</b> LF870W
<b>Size:</b> 6	<b>Orientation:</b> VUVU	<b>Meters:</b>
<b>Manual:</b> 9	<b>0.25% Pb:</b> Yes	<b>Spare Parts Only:</b> No
<b>Approved:</b> 26-Mar-2020	<b>Renewed:</b>	<b>Bypass:</b>
<b>Shutoffs:</b> (mm), ll,oo,pp,zzz,cccc,dddd,eeee,ffff,gggg,nnnnn		

---

<b>Type:</b> DC	<b>Manufacturer:</b> Febco	<b>Model:</b> LF870W
<b>Size:</b> 8	<b>Orientation:</b> VUVD	<b>Meters:</b>
<b>Manual:</b> 9	<b>0.25% Pb:</b> Yes	<b>Spare Parts Only:</b> No
<b>Approved:</b> 15-May-2020	<b>Renewed:</b>	<b>Bypass:</b>
<b>Shutoffs:</b> (mm),ll,oo,pp,zzz,cccc,dddd,eeee,ffff,gggg,nnnnn		

---

<b>Type:</b> DC	<b>Manufacturer:</b> Febco	<b>Model:</b> LF870W
<b>Size:</b> 8	<b>Orientation:</b> VUVU	<b>Meters:</b>
<b>Manual:</b> 9	<b>0.25% Pb:</b> Yes	<b>Spare Parts Only:</b> No
<b>Approved:</b> 15-May-2020	<b>Renewed:</b>	<b>Bypass:</b>
<b>Shutoffs:</b> (mm),ll,oo,pp,zzz,cccc,dddd,eeee,ffff,gggg,nnnnn		

---

<b>Type:</b> DC	<b>Manufacturer:</b> Febco	<b>Model:</b> LF870W
<b>Size:</b> 10	<b>Orientation:</b> VUVD	<b>Meters:</b>
<b>Manual:</b> 10	<b>0.25% Pb:</b> Yes	<b>Spare Parts Only:</b> No
<b>Approved:</b> 15-May-2020	<b>Renewed:</b>	<b>Bypass:</b>
<b>Shutoffs:</b> (mm),ll,oo,pp,zzz,cccc,dddd,eeee,ffff,gggg,nnnnn		

**Type:** DC                                      **Manufacturer:** Febco                                      **Model:** LF870W  
**Size:** 10                                      **Orientation:** VUVU                                      **Meters:**  
**Manual:** 10                                      **0.25% Pb:** Yes                                      **Spare Parts Only:** No  
**Approved:** 15-May-2020                                      **Renewed:**                                      **Bypass:**  
**Shutoffs:** (mm),ll,oo,pp,zzz,cccc,dddd,eeee,ffff,gggg,nnnnn

---

**Type:** DC                                      **Manufacturer:** Febco                                      **Model:** LF870WZ  
**Size:** 4                                      **Orientation:** VUVD                                      **Meters:**  
**Manual:** 9                                      **0.25% Pb:** Yes                                      **Spare Parts Only:** No  
**Approved:** 26-Mar-2020                                      **Renewed:**                                      **Bypass:**  
**Shutoffs:** (mm), ll,oo,pp,zzz,cccc,dddd,eeee,ffff,gggg,nnnnn

---

**Type:** DC                                      **Manufacturer:** Febco                                      **Model:** LF870WZ  
**Size:** 4                                      **Orientation:** VUVU                                      **Meters:**  
**Manual:** 9                                      **0.25% Pb:** Yes                                      **Spare Parts Only:** No  
**Approved:** 26-Mar-2020                                      **Renewed:**                                      **Bypass:**  
**Shutoffs:** (mm), ll,oo,pp,zzz,cccc,dddd,eeee,ffff,gggg,nnnnn

---

**Type:** DC                                      **Manufacturer:** Febco                                      **Model:** LF870WZ  
**Size:** 6                                      **Orientation:** VUVD                                      **Meters:**  
**Manual:** 9                                      **0.25% Pb:** Yes                                      **Spare Parts Only:** No  
**Approved:** 26-Mar-2020                                      **Renewed:**                                      **Bypass:**  
**Shutoffs:** (mm), ll,oo,pp,zzz,cccc,dddd,eeee,ffff,gggg,nnnnn

---

**Type:** DC                                      **Manufacturer:** Febco                                      **Model:** LF870WZ  
**Size:** 6                                      **Orientation:** VUVU                                      **Meters:**  
**Manual:** 9                                      **0.25% Pb:** Yes                                      **Spare Parts Only:** No  
**Approved:** 26-Mar-2020                                      **Renewed:**                                      **Bypass:**  
**Shutoffs:** (mm), ll,oo,pp,zzz,cccc,dddd,eeee,ffff,gggg,nnnnn

---

**Type:** DC                                      **Manufacturer:** Febco                                      **Model:** LF870WZ  
**Size:** 8                                      **Orientation:** VUVD                                      **Meters:**  
**Manual:** 9                                      **0.25% Pb:** Yes                                      **Spare Parts Only:** No  
**Approved:** 15-May-2020                                      **Renewed:**                                      **Bypass:**  
**Shutoffs:** (mm),ll,oo,pp,zzz,cccc,dddd,eeee,ffff,gggg,nnnnn

---

**Type:** DC                                      **Manufacturer:** Febco                                      **Model:** LF870WZ  
**Size:** 8                                      **Orientation:** VUVU                                      **Meters:**  
**Manual:** 9                                      **0.25% Pb:** Yes                                      **Spare Parts Only:** No  
**Approved:** 15-May-2020                                      **Renewed:**                                      **Bypass:**  
**Shutoffs:** (mm),ll,oo,pp,zzz,cccc,dddd,eeee,ffff,gggg,nnnnn



<b>Type:</b> DC	<b>Manufacturer:</b> Febco	<b>Model:</b> LF870WZ
<b>Size:</b> 10	<b>Orientation:</b> VUVD	<b>Meters:</b>
<b>Manual:</b> 10	<b>0.25% Pb:</b> Yes	<b>Spare Parts Only:</b> No
<b>Approved:</b> 15-May-2020	<b>Renewed:</b>	<b>Bypass:</b>
<b>Shutoffs:</b> (mm),ll,oo,pp,zzz,cccc,dddd,eeee,ffff,gggg,nnnnn		

---

<b>Type:</b> DC	<b>Manufacturer:</b> Febco	<b>Model:</b> LF870WZ
<b>Size:</b> 10	<b>Orientation:</b> VUVU	<b>Meters:</b>
<b>Manual:</b> 10	<b>0.25% Pb:</b> Yes	<b>Spare Parts Only:</b> No
<b>Approved:</b> 15-May-2020	<b>Renewed:</b>	<b>Bypass:</b>
<b>Shutoffs:</b> (mm),ll,oo,pp,zzz,cccc,dddd,eeee,ffff,gggg,nnnnn		

---

<b>Type:</b> DC	<b>Manufacturer:</b> Neptune	<b>Model:</b>
<b>Size:</b>	<b>Orientation:</b>	<b>Meters:</b>
<b>Manual:</b>	<b>0.25% Pb:</b> No	<b>Spare Parts Only:</b> No
<b>Approved:</b>	<b>Renewed:</b>	<b>Bypass:</b>
<b>Notes:</b> See Wilkins		

---

<b>Type:</b> DC	<b>Manufacturer:</b> Watts	<b>Model:</b> 007
<b>Size:</b> 2 1/2	<b>Orientation:</b> H	<b>Meters:</b>
<b>Manual:</b> 8	<b>0.25% Pb:</b> No	<b>Spare Parts Only:</b> Yes
<b>Approved:</b> 30-Sep-1990	<b>Renewed:</b> 30-Sep-2020	<b>Bypass:</b>
<b>Shutoffs:</b> (oo),gg,hh,ll,mm,pp,tt,uu,yy,ffff,gggg		

---

<b>Type:</b> DC	<b>Manufacturer:</b> Watts	<b>Model:</b> 007
<b>Size:</b> 2 1/2	<b>Orientation:</b> VU	<b>Meters:</b>
<b>Manual:</b> 8	<b>0.25% Pb:</b> Yes	<b>Spare Parts Only:</b> Yes
<b>Approved:</b> 27-Aug-1996	<b>Renewed:</b> 27-Aug-2020	<b>Bypass:</b>
<b>Shutoffs:</b> (oo),gg,hh,ll,mm,pp,tt,uu,yy,ffff,gggg		

---

<b>Type:</b> DC	<b>Manufacturer:</b> Watts	<b>Model:</b> 007
<b>Size:</b> 3	<b>Orientation:</b> H	<b>Meters:</b>
<b>Manual:</b> 8	<b>0.25% Pb:</b> No	<b>Spare Parts Only:</b> Yes
<b>Approved:</b> 30-Sep-1990	<b>Renewed:</b> 30-Sep-2020	<b>Bypass:</b>
<b>Shutoffs:</b> (oo),gg,hh,ll,mm,pp,tt,uu,yy,eee,ffff,gggg		

---

<b>Type:</b> DC	<b>Manufacturer:</b> Watts	<b>Model:</b> 007
<b>Size:</b> 3	<b>Orientation:</b> VU	<b>Meters:</b>
<b>Manual:</b> 8	<b>0.25% Pb:</b> Yes	<b>Spare Parts Only:</b> Yes
<b>Approved:</b> 27-Aug-1996	<b>Renewed:</b> 27-Aug-2020	<b>Bypass:</b>
<b>Shutoffs:</b> (oo),gg,hh,ll,mm,pp,tt,uu,yy,eee,ffff,gggg		

<b>Type:</b> DC	<b>Manufacturer:</b> Watts	<b>Model:</b> 007M1-FP
<b>Size:</b> 1	<b>Orientation:</b> H	<b>Meters:</b>
<b>Manual:</b> 9	<b>0.25% Pb:</b> Yes	<b>Spare Parts Only:</b> No
<b>Approved:</b> 01-Sep-2009	<b>Renewed:</b> 01-Sep-2021	<b>Bypass:</b>
<b>Shutoffs:</b> (eeee)		

---

<b>Type:</b> DC	<b>Manufacturer:</b> Watts	<b>Model:</b> 007M1-FP
<b>Size:</b> 2	<b>Orientation:</b> H	<b>Meters:</b>
<b>Manual:</b> 9	<b>0.25% Pb:</b> Yes	<b>Spare Parts Only:</b> No
<b>Approved:</b> 01-Sep-2009	<b>Renewed:</b> 01-Sep-2021	<b>Bypass:</b>
<b>Shutoffs:</b> (eeee)		

---

<b>Type:</b> DC	<b>Manufacturer:</b> Watts	<b>Model:</b> 007M1PCQT
<b>Size:</b> 3/4	<b>Orientation:</b> H	<b>Meters:</b>
<b>Manual:</b> 8	<b>0.25% Pb:</b> Yes	<b>Spare Parts Only:</b> No
<b>Approved:</b> 10-Dec-1993	<b>Renewed:</b> 10-Dec-2020	<b>Bypass:</b>
<b>Shutoffs:</b> (vv),xx,ooo,hhhh,pppp		

---

<b>Type:</b> DC	<b>Manufacturer:</b> Watts	<b>Model:</b> 007M1PCQT
<b>Size:</b> 1	<b>Orientation:</b> H	<b>Meters:</b>
<b>Manual:</b> 8	<b>0.25% Pb:</b> Yes	<b>Spare Parts Only:</b> No
<b>Approved:</b> 10-Dec-1993	<b>Renewed:</b> 10-Dec-2020	<b>Bypass:</b>
<b>Shutoffs:</b> (vv),xx,ooo,hhhh,pppp		

---

<b>Type:</b> DC	<b>Manufacturer:</b> Watts	<b>Model:</b> 007M1PCQT
<b>Size:</b> 1 1/2	<b>Orientation:</b> H	<b>Meters:</b>
<b>Manual:</b> 8	<b>0.25% Pb:</b> Yes	<b>Spare Parts Only:</b> Yes
<b>Approved:</b> 27-Sep-1994	<b>Renewed:</b> 27-Sep-2021	<b>Bypass:</b>
<b>Shutoffs:</b> vv,xx,ooo,hhhh,pppp		

---

<b>Type:</b> DC	<b>Manufacturer:</b> Watts	<b>Model:</b> 007M1PCQT
<b>Size:</b> 2	<b>Orientation:</b> H	<b>Meters:</b>
<b>Manual:</b> 8	<b>0.25% Pb:</b> No	<b>Spare Parts Only:</b> No
<b>Approved:</b> 27-Sep-1994	<b>Renewed:</b> 27-Sep-2021	<b>Bypass:</b>
<b>Shutoffs:</b> (vv),xx,ooo,hhhh,pppp		

**Type:** DC  
**Size:** 3/4  
**Manual:** 8  
**Approved:** 26-Feb-1991  
**Shutoffs:** vv,xx,ooo,hhhh,pppp  
**Notes:** This assembly is only used as the by-pass assembly for DCDA assemblies

**Manufacturer:** Watts  
**Orientation:** H  
**0.25% Pb:** No  
**Renewed:** 26-Feb-2021

**Model:** 007M1QT  
**Meters:**  
**Spare Parts Only:** No  
**Bypass:**

---

**Type:** DC  
**Size:** 1  
**Manual:** 8  
**Approved:** 26-Feb-1991  
**Shutoffs:** (vv),xx,ooo,hhhh,pppp  
**Notes:** Upgraded to 9th Ed.

**Manufacturer:** Watts  
**Orientation:** H  
**0.25% Pb:** No  
**Renewed:** 26-Feb-2021

**Model:** 007M1QT  
**Meters:**  
**Spare Parts Only:** No  
**Bypass:**

---

**Type:** DC  
**Size:** 1  
**Manual:** 9  
**Approved:** 18-May-1998  
**Shutoffs:** (vv),xx,ooo,hhhh,pppp  
**Notes:** Previous 8th Ed. Approval

**Manufacturer:** Watts  
**Orientation:** H  
**0.25% Pb:** No  
**Renewed:** 18-May-2022

**Model:** 007M1QT  
**Meters:**  
**Spare Parts Only:** No  
**Bypass:**

---

**Type:** DC  
**Size:** 1  
**Manual:** 9  
**Approved:** 18-May-1998  
**Shutoffs:** (vv),xx,ooo,hhhh,pppp

**Manufacturer:** Watts  
**Orientation:** VU  
**0.25% Pb:** No  
**Renewed:** 18-May-2022

**Model:** 007M1QT  
**Meters:**  
**Spare Parts Only:** No  
**Bypass:**

---

**Type:** DC  
**Size:** 1 1/2  
**Manual:** 8  
**Approved:** 30-Jun-1992  
**Shutoffs:** vv,xx,ooo,hhhh,pppp

**Manufacturer:** Watts  
**Orientation:** H  
**0.25% Pb:** No  
**Renewed:** 30-Jun-2022

**Model:** 007M1QT  
**Meters:**  
**Spare Parts Only:** Yes  
**Bypass:**

---

**Type:** DC  
**Size:** 2  
**Manual:** 8  
**Approved:** 30-Jun-1992  
**Shutoffs:** (vv),xx,ooo,hhhh,pppp

**Manufacturer:** Watts  
**Orientation:** H  
**0.25% Pb:** No  
**Renewed:** 30-Jun-2022

**Model:** 007M1QT  
**Meters:**  
**Spare Parts Only:** No  
**Bypass:**

**Type:** DC  
**Size:** 2  
**Manual:** 8  
**Approved:** 08-Mar-1996  
**Shutoffs:** (vv),xx,ooo,hhhh,pppp

**Manufacturer:** Watts  
**Orientation:** VU  
**0.25% Pb:** No  
**Renewed:** 08-Mar-2020

**Model:** 007M1QT  
**Meters:**  
**Spare Parts Only:** No  
**Bypass:**

---

**Type:** DC  
**Size:** 1 1/4  
**Manual:** 9  
**Approved:** 01-Sep-2009  
**Shutoffs:** (eeee)

**Manufacturer:** Watts  
**Orientation:** H  
**0.25% Pb:** No  
**Renewed:** 01-Sep-2021

**Model:** 007M2-FP  
**Meters:**  
**Spare Parts Only:** No  
**Bypass:**

---

**Type:** DC  
**Size:** 1 1/2  
**Manual:** 9  
**Approved:** 01-Sep-2009  
**Shutoffs:** (eeee)

**Manufacturer:** Watts  
**Orientation:** H  
**0.25% Pb:** No  
**Renewed:** 01-Sep-2021

**Model:** 007M2-FP  
**Meters:**  
**Spare Parts Only:** No  
**Bypass:**

---

**Type:** DC  
**Size:** 1 1/4  
**Manual:** 8  
**Approved:** 09-Dec-1996  
**Shutoffs:** (vv),xx,ooo,hhhh,pppp

**Manufacturer:** Watts  
**Orientation:** H  
**0.25% Pb:** No  
**Renewed:** 09-Dec-2020

**Model:** 007M2PCQT  
**Meters:**  
**Spare Parts Only:** No  
**Bypass:**

---

**Type:** DC  
**Size:** 1 1/4  
**Manual:** 8  
**Approved:** 09-Dec-1996  
**Shutoffs:** (vv),xx,ooo,hhhh,pppp

**Manufacturer:** Watts  
**Orientation:** VU  
**0.25% Pb:** No  
**Renewed:** 09-Dec-2020

**Model:** 007M2PCQT  
**Meters:**  
**Spare Parts Only:** No  
**Bypass:**

---

**Type:** DC  
**Size:** 1 1/2  
**Manual:** 8  
**Approved:** 12-Sep-1994  
**Shutoffs:** (vv),xx,ooo,hhhh,pppp

**Manufacturer:** Watts  
**Orientation:** H  
**0.25% Pb:** No  
**Renewed:** 12-Sep-2021

**Model:** 007M2PCQT  
**Meters:**  
**Spare Parts Only:** No  
**Bypass:**

---

**Type:** DC  
**Size:** 3/4  
**Manual:** 8  
**Approved:** 05-Apr-1993  
**Shutoffs:** (vv),xx,ooo,hhhh,pppp

**Manufacturer:** Watts  
**Orientation:** H  
**0.25% Pb:** No  
**Renewed:** 05-Apr-2020

**Model:** 007M2QT  
**Meters:**  
**Spare Parts Only:** No  
**Bypass:**

**Type:** DC  
**Size:** 3/4  
**Manual:** 8  
**Approved:** 27-Aug-1996  
**Shutoffs:** (vv),xx,ooo,hhhh,pppp

**Manufacturer:** Watts  
**Orientation:** VU  
**0.25% Pb:** No  
**Renewed:** 27-Aug-2020

**Model:** 007M2QT  
**Meters:**  
**Spare Parts Only:** No  
**Bypass:**

---

**Type:** DC  
**Size:** 1 1/4  
**Manual:** 8  
**Approved:** 01-Oct-1996  
**Shutoffs:** (vv),xx,ooo,hhhh,pppp

**Manufacturer:** Watts  
**Orientation:** H  
**0.25% Pb:** No  
**Renewed:** 01-Oct-2020

**Model:** 007M2QT  
**Meters:**  
**Spare Parts Only:** No  
**Bypass:**

---

**Type:** DC  
**Size:** 1 1/4  
**Manual:** 8  
**Approved:** 01-Oct-1996  
**Shutoffs:** (vv),xx,ooo,hhhh,pppp

**Manufacturer:** Watts  
**Orientation:** VU  
**0.25% Pb:** No  
**Renewed:** 01-Oct-2020

**Model:** 007M2QT  
**Meters:**  
**Spare Parts Only:** No  
**Bypass:**

---

**Type:** DC  
**Size:** 1 1/2  
**Manual:** 8  
**Approved:** 24-May-1994  
**Shutoffs:** (vv),xx,ooo,hhhh,pppp

**Manufacturer:** Watts  
**Orientation:** H  
**0.25% Pb:** No  
**Renewed:** 24-May-2021

**Model:** 007M2QT  
**Meters:**  
**Spare Parts Only:** No  
**Bypass:**

---

**Type:** DC  
**Size:** 1 1/2  
**Manual:** 8  
**Approved:** 11-Mar-1996  
**Shutoffs:** (vv),xx,ooo,hhhh,pppp

**Manufacturer:** Watts  
**Orientation:** VU  
**0.25% Pb:** No  
**Renewed:** 11-Mar-2020

**Model:** 007M2QT  
**Meters:**  
**Spare Parts Only:** No  
**Bypass:**

---

**Type:** DC  
**Size:** 3/4  
**Manual:** 9  
**Approved:** 01-Sep-2009  
**Shutoffs:** (eeee)

**Manufacturer:** Watts  
**Orientation:** H  
**0.25% Pb:** No  
**Renewed:** 01-Sep-2021

**Model:** 007M3-FP  
**Meters:**  
**Spare Parts Only:** No  
**Bypass:**

---

**Type:** DC  
**Size:** 3/4  
**Manual:** 9  
**Approved:** 18-Oct-1999  
**Shutoffs:** (vv),xx,ooo,hhhh,pppp

**Manufacturer:** Watts  
**Orientation:** H  
**0.25% Pb:** No  
**Renewed:** 18-Oct-2020

**Model:** 007M3QT  
**Meters:**  
**Spare Parts Only:** No  
**Bypass:**

**Type:** DC  
**Size:** 3/4  
**Manual:** 9  
**Approved:** 18-Oct-1999  
**Shutoffs:** (vv),xx,ooo,hhhh,pppp

**Manufacturer:** Watts  
**Orientation:** VU  
**0.25% Pb:** No  
**Renewed:** 18-Oct-2020

**Model:** 007M3QT  
**Meters:**  
**Spare Parts Only:** No  
**Bypass:**

---

**Type:** DC  
**Size:** 1/2  
**Manual:** 8  
**Approved:** 17-Feb-1995  
**Shutoffs:** (vv),xx,ooo,hhhh,pppp

**Manufacturer:** Watts  
**Orientation:** H  
**0.25% Pb:** No  
**Renewed:** 17-Feb-2022

**Model:** 007PCQT  
**Meters:**  
**Spare Parts Only:** No  
**Bypass:**

---

**Type:** DC  
**Size:** 1 1/2  
**Manual:** 8  
**Approved:** 27-Sep-1994  
**Shutoffs:** vv,xx,ooo,hhhh,pppp

**Manufacturer:** Watts  
**Orientation:** H  
**0.25% Pb:** No  
**Renewed:** 27-Sep-2021

**Model:** 007PCQT  
**Meters:**  
**Spare Parts Only:** Yes  
**Bypass:**

---

**Type:** DC  
**Size:** 2  
**Manual:** 8  
**Approved:** 27-Sep-1994  
**Shutoffs:** vv,xx,ooo,hhhh,pppp

**Manufacturer:** Watts  
**Orientation:** H  
**0.25% Pb:** No  
**Renewed:** 27-Sep-2021

**Model:** 007PCQT  
**Meters:**  
**Spare Parts Only:** Yes  
**Bypass:**

---

**Type:** DC  
**Size:** 1/2  
**Manual:** 8  
**Approved:** 06-Dec-1993  
**Shutoffs:** (vv),xx,ooo,hhhh,pppp,rrrr  
**Notes:** Upgraded to 9th Ed.

**Manufacturer:** Watts  
**Orientation:** H  
**0.25% Pb:** No  
**Renewed:** 08-Dec-2020

**Model:** 007QT  
**Meters:**  
**Spare Parts Only:** No  
**Bypass:**

---

**Type:** DC  
**Size:** 1/2  
**Manual:** 9  
**Approved:** 16-Jun-1997  
**Shutoffs:** (vv),xx,ooo,hhhh,pppp,rrrr  
**Notes:** Previous 8th Ed. Approval

**Manufacturer:** Watts  
**Orientation:** H  
**0.25% Pb:** No  
**Renewed:** 16-Jun-2021

**Model:** 007QT  
**Meters:**  
**Spare Parts Only:** No  
**Bypass:**

<b>Type:</b> DC	<b>Manufacturer:</b> Watts	<b>Model:</b> 007QT
<b>Size:</b> 1/2	<b>Orientation:</b> VU	<b>Meters:</b>
<b>Manual:</b> 8	<b>0.25% Pb:</b> No	<b>Spare Parts Only:</b> No
<b>Approved:</b> 19-Apr-1996	<b>Renewed:</b> 19-Apr-2020	<b>Bypass:</b>
<b>Shutoffs:</b> pppp,rrrr		
<b>Notes:</b> Upgraded to 9th Ed.		

---

<b>Type:</b> DC	<b>Manufacturer:</b> Watts	<b>Model:</b> 007QT
<b>Size:</b> 1/2	<b>Orientation:</b> VU	<b>Meters:</b>
<b>Manual:</b> 9	<b>0.25% Pb:</b> No	<b>Spare Parts Only:</b> No
<b>Approved:</b> 16-Jun-1997	<b>Renewed:</b> 16-Jun-2021	<b>Bypass:</b>
<b>Shutoffs:</b> (vv),xx,pppp,rrrr		
<b>Notes:</b> Previous 8th Ed. Approval		

---

<b>Type:</b> DC	<b>Manufacturer:</b> Watts	<b>Model:</b> 007QT
<b>Size:</b> 3/4	<b>Orientation:</b> H	<b>Meters:</b>
<b>Manual:</b> 7	<b>0.25% Pb:</b> No	<b>Spare Parts Only:</b> Yes
<b>Approved:</b> 11-Jan-1988	<b>Renewed:</b> 11-Jan-2021	<b>Bypass:</b>
<b>Shutoffs:</b> pppp,rrrr		

---

<b>Type:</b> DC	<b>Manufacturer:</b> Watts	<b>Model:</b> 007QT
<b>Size:</b> 1	<b>Orientation:</b> H	<b>Meters:</b>
<b>Manual:</b> 7	<b>0.25% Pb:</b> No	<b>Spare Parts Only:</b> Yes
<b>Approved:</b> 11-Jan-1988	<b>Renewed:</b> 11-Jan-2021	<b>Bypass:</b>
<b>Shutoffs:</b> pppp,rrrr		

---

<b>Type:</b> DC	<b>Manufacturer:</b> Watts	<b>Model:</b> 007QT
<b>Size:</b> 1 1/2	<b>Orientation:</b> H	<b>Meters:</b>
<b>Manual:</b> 7	<b>0.25% Pb:</b> No	<b>Spare Parts Only:</b> Yes
<b>Approved:</b> 21-Jul-1988	<b>Renewed:</b> 21-Jul-2021	<b>Bypass:</b>
<b>Shutoffs:</b> pppp,rrrr		
<b>Notes:</b> Upgraded to 9th Ed.		

---

<b>Type:</b> DC	<b>Manufacturer:</b> Watts	<b>Model:</b> 007QT
<b>Size:</b> 2	<b>Orientation:</b> H	<b>Meters:</b>
<b>Manual:</b> 7	<b>0.25% Pb:</b> No	<b>Spare Parts Only:</b> Yes
<b>Approved:</b> 21-Jul-1988	<b>Renewed:</b> 21-Jul-2021	<b>Bypass:</b>
<b>Shutoffs:</b> pppp,rrrr		
<b>Notes:</b> Upgraded to 9th Ed.		

**Type:** DC                                      **Manufacturer:** Watts                                      **Model:** 007SSM1PCQT  
**Size:** 3/4                                      **Orientation:** H                                      **Meters:**  
**Manual:** 8                                      **0.25% Pb:** No                                      **Spare Parts Only:** Yes  
**Approved:** 10-Dec-1993                                      **Renewed:** 10-Dec-2020                                      **Bypass:**  
**Shutoffs:** vv,xx,ooo,hhhh,pppp

---

**Type:** DC                                      **Manufacturer:** Watts                                      **Model:** 007SSM1PCQT  
**Size:** 1                                      **Orientation:** H                                      **Meters:**  
**Manual:** 8                                      **0.25% Pb:** No                                      **Spare Parts Only:** Yes  
**Approved:** 10-Dec-1993                                      **Renewed:** 10-Dec-2020                                      **Bypass:**  
**Shutoffs:** vv,xx,ooo,hhhh,pppp

---

**Type:** DC                                      **Manufacturer:** Watts                                      **Model:** 007SSM1QT  
**Size:** 3/4                                      **Orientation:** H                                      **Meters:**  
**Manual:** 8                                      **0.25% Pb:** No                                      **Spare Parts Only:** Yes  
**Approved:** 26-Feb-1991                                      **Renewed:** 26-Feb-2021                                      **Bypass:**  
**Shutoffs:** vv,xx,ooo,hhhh,pppp

---

**Type:** DC                                      **Manufacturer:** Watts                                      **Model:** 007SSM1QT  
**Size:** 1                                      **Orientation:** H                                      **Meters:**  
**Manual:** 8                                      **0.25% Pb:** No                                      **Spare Parts Only:** Yes  
**Approved:** 26-Feb-1991                                      **Renewed:** 26-Feb-2021                                      **Bypass:**  
**Shutoffs:** vv,xx,ooo,hhhh,pppp

---

**Type:** DC                                      **Manufacturer:** Watts                                      **Model:** 007SSPCQT  
**Size:** 1 1/2                                      **Orientation:** H                                      **Meters:**  
**Manual:** 8                                      **0.25% Pb:** No                                      **Spare Parts Only:** Yes  
**Approved:** 27-Sep-1994                                      **Renewed:** 27-Sep-2021                                      **Bypass:**  
**Shutoffs:** vv,xx,ooo,hhhh,pppp

---

**Type:** DC                                      **Manufacturer:** Watts                                      **Model:** 007SSPCQT  
**Size:** 2                                      **Orientation:** H                                      **Meters:**  
**Manual:** 8                                      **0.25% Pb:** No                                      **Spare Parts Only:** Yes  
**Approved:** 27-Sep-1994                                      **Renewed:** 27-Sep-2021                                      **Bypass:**  
**Shutoffs:** vv,xx,ooo,hhhh,pppp

---

**Type:** DC                                      **Manufacturer:** Watts                                      **Model:** 007SSQT  
**Size:** 3/4                                      **Orientation:** H                                      **Meters:**  
**Manual:** 7                                      **0.25% Pb:** No                                      **Spare Parts Only:** Yes  
**Approved:** 11-Jan-1988                                      **Renewed:** 11-Jan-2021                                      **Bypass:**  
**Shutoffs:** pppp



<b>Type:</b> DC	<b>Manufacturer:</b> Watts	<b>Model:</b> 007SSQT
<b>Size:</b> 1	<b>Orientation:</b> H	<b>Meters:</b>
<b>Manual:</b> 7	<b>0.25% Pb:</b> No	<b>Spare Parts Only:</b> Yes
<b>Approved:</b> 11-Jan-1988	<b>Renewed:</b> 11-Jan-2021	<b>Bypass:</b>
<b>Shutoffs:</b> pppp		

---

<b>Type:</b> DC	<b>Manufacturer:</b> Watts	<b>Model:</b> 007SSQT
<b>Size:</b> 1 1/2	<b>Orientation:</b> H	<b>Meters:</b>
<b>Manual:</b> 7	<b>0.25% Pb:</b> No	<b>Spare Parts Only:</b> Yes
<b>Approved:</b> 21-Jul-1988	<b>Renewed:</b> 21-Jul-2021	<b>Bypass:</b>
<b>Shutoffs:</b> pppp		

---

<b>Type:</b> DC	<b>Manufacturer:</b> Watts	<b>Model:</b> 007SSQT
<b>Size:</b> 2	<b>Orientation:</b> H	<b>Meters:</b>
<b>Manual:</b> 7	<b>0.25% Pb:</b> No	<b>Spare Parts Only:</b> Yes
<b>Approved:</b> 21-Jul-1988	<b>Renewed:</b> 21-Jul-2021	<b>Bypass:</b>
<b>Shutoffs:</b> pppp		

---

<b>Type:</b> DC	<b>Manufacturer:</b> Watts	<b>Model:</b> 700
<b>Size:</b> 2 1/2	<b>Orientation:</b> H	<b>Meters:</b>
<b>Manual:</b> 5	<b>0.25% Pb:</b> No	<b>Spare Parts Only:</b> Yes
<b>Approved:</b> 10-Jan-1981	<b>Renewed:</b> 10-Jan-2020	<b>Bypass:</b>

---

<b>Type:</b> DC	<b>Manufacturer:</b> Watts	<b>Model:</b> 700
<b>Size:</b> 3	<b>Orientation:</b> H	<b>Meters:</b>
<b>Manual:</b> 5	<b>0.25% Pb:</b> No	<b>Spare Parts Only:</b> Yes
<b>Approved:</b> 10-Jan-1981	<b>Renewed:</b> 10-Jan-2020	<b>Bypass:</b>

---

<b>Type:</b> DC	<b>Manufacturer:</b> Watts	<b>Model:</b> 709
<b>Size:</b> 2 1/2	<b>Orientation:</b> H	<b>Meters:</b>
<b>Manual:</b> 7	<b>0.25% Pb:</b> No	<b>Spare Parts Only:</b> Yes
<b>Approved:</b> 12-Jun-1986	<b>Renewed:</b> 12-Jun-2022	<b>Bypass:</b>
<b>Shutoffs:</b> (oo),gg,hh,ll,mm,pp,tt,uu,ww,yy,fff,gggg		

---

<b>Type:</b> DC	<b>Manufacturer:</b> Watts	<b>Model:</b> 709
<b>Size:</b> 3	<b>Orientation:</b> H	<b>Meters:</b>
<b>Manual:</b> 7	<b>0.25% Pb:</b> No	<b>Spare Parts Only:</b> Yes
<b>Approved:</b> 12-Jun-1986	<b>Renewed:</b> 12-Jun-2022	<b>Bypass:</b>
<b>Shutoffs:</b> (oo),gg,hh,ll,mm,pp,tt,uu,ww,yy,eee,fff,gggg		

**Type:** DC                                      **Manufacturer:** Watts                                      **Model:** 709  
**Size:** 4    **Orientation:** H    **Meters:**  
**Manual:** 6    **0.25% Pb:** No    **Spare Parts Only:** Yes  
**Approved:** 15-Jan-1982                                      **Renewed:** 15-Jan-2021                                      **Bypass:**  
**Shutoffs:** (oo),gg,hh,ll,mm,pp,tt,uu,ww,yy,eee,ffff,gggg

---

**Type:** DC                                      **Manufacturer:** Watts                                      **Model:** 709  
**Size:** 4    **Orientation:** VU    **Meters:**  
**Manual:** 8    **0.25% Pb:** No    **Spare Parts Only:** Yes  
**Approved:** 11-Mar-1996                                      **Renewed:** 11-Mar-2020                                      **Bypass:**  
**Shutoffs:** (oo),gg,hh,ll,mm,pp,tt,uu,ww,yy,eee,ffff,gggg

---

**Type:** DC                                      **Manufacturer:** Watts                                      **Model:** 709  
**Size:** 6    **Orientation:** H    **Meters:**  
**Manual:** 6    **0.25% Pb:** No    **Spare Parts Only:** Yes  
**Approved:** 18-May-1982                                      **Renewed:** 18-May-2021                                      **Bypass:**  
**Shutoffs:** (oo),gg,hh,ll,mm,pp,tt,uu,ww,yy,eee,ffff,gggg

---

**Type:** DC                                      **Manufacturer:** Watts                                      **Model:** 709  
**Size:** 6    **Orientation:** VU    **Meters:**  
**Manual:** 8    **0.25% Pb:** No    **Spare Parts Only:** Yes  
**Approved:** 05-Dec-1996                                      **Renewed:** 05-Dec-2020                                      **Bypass:**  
**Shutoffs:** (oo),gg,hh,ll,mm,pp,tt,uu,ww,yy,eee,ffff,gggg

---

**Type:** DC                                      **Manufacturer:** Watts                                      **Model:** 709  
**Size:** 8    **Orientation:** H    **Meters:**  
**Manual:** 6    **0.25% Pb:** No    **Spare Parts Only:** Yes  
**Approved:** 06-Jul-1981                                      **Renewed:** 06-Jul-2020                                      **Bypass:**  
**Shutoffs:** (oo),gg,hh,ll,mm,pp,tt,uu,ww,yy,eee,ffff,gggg

---

**Type:** DC                                      **Manufacturer:** Watts                                      **Model:** 709  
**Size:** 8    **Orientation:** VU    **Meters:**  
**Manual:** 8    **0.25% Pb:** No    **Spare Parts Only:** Yes  
**Approved:** 05-Dec-1996                                      **Renewed:** 05-Dec-2020                                      **Bypass:**  
**Shutoffs:** (oo),gg,hh,ll,mm,pp,tt,uu,ww,yy,eee,ffff,gggg

---

**Type:** DC                                      **Manufacturer:** Watts                                      **Model:** 709  
**Size:** 10    **Orientation:** H    **Meters:**  
**Manual:** 6    **0.25% Pb:** No    **Spare Parts Only:** Yes  
**Approved:** 16-Mar-1983                                      **Renewed:** 16-Mar-2022                                      **Bypass:**  
**Shutoffs:** (oo),gg,hh,ll,mm,pp,tt,uu,ww,yy,eee,ffff,gggg

**Type:** DC **Manufacturer:** Watts **Model:** 709  
**Size:** 10 **Orientation:** VU **Meters:**  
**Manual:** 8 **0.25% Pb:** No **Spare Parts Only:** Yes  
**Approved:** 05-Dec-1996 **Renewed:** 05-Dec-2020 **Bypass:**  
**Shutoffs:** (oo),gg,hh,ll,mm,pp,tt,uu,ww,yy,eee,ffff,gggg

---

**Type:** DC **Manufacturer:** Watts **Model:** 709BB  
**Size:** 2 1/2 **Orientation:** H **Meters:**  
**Manual:** 6 **0.25% Pb:** No **Spare Parts Only:** Yes  
**Approved:** 20-Jul-1982 **Renewed:** 20-Jul-2021 **Bypass:**  
**Shutoffs:** (oo),gg,hh,ll,mm,pp,tt,uu,yy,ffff,gggg

---

**Type:** DC **Manufacturer:** Watts **Model:** 709BB  
**Size:** 3 **Orientation:** H **Meters:**  
**Manual:** 6 **0.25% Pb:** No **Spare Parts Only:** Yes  
**Approved:** 20-Jul-1982 **Renewed:** 20-Jul-2021 **Bypass:**  
**Shutoffs:** (oo),gg,hh,ll,mm,pp,tt,uu,yy,ffff,gggg

---

**Type:** DC **Manufacturer:** Watts **Model:** 709QT  
**Size:** 3/4 **Orientation:** H **Meters:**  
**Manual:** 6 **0.25% Pb:** No **Spare Parts Only:** Yes  
**Approved:** 04-Aug-1982 **Renewed:** 04-Aug-2021 **Bypass:**  
**Shutoffs:** vv,xx,ooo,hhhh,pppp  
**Notes:** Formerly Model 709

---

**Type:** DC **Manufacturer:** Watts **Model:** 709QT  
**Size:** 1 **Orientation:** H **Meters:**  
**Manual:** 6 **0.25% Pb:** No **Spare Parts Only:** Yes  
**Approved:** 04-Aug-1982 **Renewed:** 04-Aug-2021 **Bypass:**  
**Shutoffs:** vv,xx,ooo,hhhh,pppp  
**Notes:** Formerly Model 709

---

**Type:** DC **Manufacturer:** Watts **Model:** 709QT  
**Size:** 1 1/2 **Orientation:** H **Meters:**  
**Manual:** 6 **0.25% Pb:** No **Spare Parts Only:** Yes  
**Approved:** 27-Apr-1982 **Renewed:** 21-Apr-2021 **Bypass:**  
**Shutoffs:** vv,xx,ooo,hhhh,pppp  
**Notes:** Formerly Model 709

**Type:** DC  
**Size:** 2  
**Manual:** 6  
**Approved:** 27-Apr-1982  
**Shutoffs:** vv,xx,ooo,hhhh,pppp  
**Notes:** Formerly Model 709

**Manufacturer:** Watts  
**Orientation:** H  
**0.25% Pb:** No  
**Renewed:** 21-Apr-2021

**Model:** 709QT  
**Meters:**  
**Spare Parts Only:** Yes  
**Bypass:**

---

**Type:** DC  
**Size:** 1/2  
**Manual:** 9  
**Approved:** 04-Oct-2005  
**Shutoffs:** (vv),xx,ooo,hhhh,pppp,rrrr

**Manufacturer:** Watts  
**Orientation:** VUVD  
**0.25% Pb:** No  
**Renewed:** 04-Oct-2020

**Model:** 719AQT  
**Meters:**  
**Spare Parts Only:** No  
**Bypass:**

---

**Type:** DC  
**Size:** 1  
**Manual:** 9  
**Approved:** 04-Oct-2005  
**Shutoffs:** (vv),xx,ooo,hhhh,pppp,rrrr

**Manufacturer:** Watts  
**Orientation:** VUVD  
**0.25% Pb:** No  
**Renewed:** 04-Oct-2020

**Model:** 719AQT  
**Meters:**  
**Spare Parts Only:** No  
**Bypass:**

---

**Type:** DC  
**Size:** 1 1/4  
**Manual:** 9  
**Approved:** 04-Oct-2005  
**Shutoffs:** (vv),xx,ooo,hhhh,pppp,rrrr

**Manufacturer:** Watts  
**Orientation:** VUVD  
**0.25% Pb:** No  
**Renewed:** 04-Oct-2020

**Model:** 719AQT  
**Meters:**  
**Spare Parts Only:** No  
**Bypass:**

---

**Type:** DC  
**Size:** 1 1/2  
**Manual:** 9  
**Approved:** 04-Oct-2005  
**Shutoffs:** (vv),xx,ooo,hhhh,pppp,rrrr

**Manufacturer:** Watts  
**Orientation:** VUVD  
**0.25% Pb:** No  
**Renewed:** 04-Oct-2020

**Model:** 719AQT  
**Meters:**  
**Spare Parts Only:** No  
**Bypass:**

---

**Type:** DC  
**Size:** 2  
**Manual:** 9  
**Approved:** 04-Oct-2005  
**Shutoffs:** (vv),xx,ooo,hhhh,pppp,rrrr

**Manufacturer:** Watts  
**Orientation:** VUVD  
**0.25% Pb:** No  
**Renewed:** 04-Oct-2020

**Model:** 719AQT  
**Meters:**  
**Spare Parts Only:** No  
**Bypass:**

<b>Type:</b> DC	<b>Manufacturer:</b> Watts	<b>Model:</b> 719AQTR10
<b>Size:</b> 1/2	<b>Orientation:</b> VUVD	<b>Meters:</b>
<b>Manual:</b> 9	<b>0.25% Pb:</b> No	<b>Spare Parts Only:</b> Yes
<b>Approved:</b> 03-Jul-2013	<b>Renewed:</b> 03-Jul-2022	<b>Bypass:</b>
<b>Shutoffs:</b> (vv),xx,ooo,hhhh,pppp		

---

<b>Type:</b> DC	<b>Manufacturer:</b> Watts	<b>Model:</b> 719AQTR10
<b>Size:</b> 3/4	<b>Orientation:</b> VUVD	<b>Meters:</b>
<b>Manual:</b> 9	<b>0.25% Pb:</b> No	<b>Spare Parts Only:</b> Yes
<b>Approved:</b> 03-Jul-2013	<b>Renewed:</b> 03-Jul-2022	<b>Bypass:</b>
<b>Shutoffs:</b> (vv),xx,ooo,hhhh,pppp		

---

<b>Type:</b> DC	<b>Manufacturer:</b> Watts	<b>Model:</b> 719QT
<b>Size:</b> 1/2	<b>Orientation:</b> H	<b>Meters:</b>
<b>Manual:</b> 9	<b>0.25% Pb:</b> No	<b>Spare Parts Only:</b> No
<b>Approved:</b> 04-Oct-2005	<b>Renewed:</b> 04-Oct-2020	<b>Bypass:</b>
<b>Shutoffs:</b> (vv),xx,ooo,hhhh,pppp,rrrr		

---

<b>Type:</b> DC	<b>Manufacturer:</b> Watts	<b>Model:</b> 719QT
<b>Size:</b> 1/2	<b>Orientation:</b> VD	<b>Meters:</b>
<b>Manual:</b> 9	<b>0.25% Pb:</b> No	<b>Spare Parts Only:</b> No
<b>Approved:</b> 04-Oct-2005	<b>Renewed:</b> 04-Oct-2020	<b>Bypass:</b>
<b>Shutoffs:</b> (vv),xx,ooo,hhhh,pppp,rrrr		

---

<b>Type:</b> DC	<b>Manufacturer:</b> Watts	<b>Model:</b> 719QT
<b>Size:</b> 1/2	<b>Orientation:</b> VU	<b>Meters:</b>
<b>Manual:</b> 9	<b>0.25% Pb:</b> No	<b>Spare Parts Only:</b> No
<b>Approved:</b> 04-Oct-2005	<b>Renewed:</b> 04-Oct-2020	<b>Bypass:</b>
<b>Shutoffs:</b> (vv),xx,ooo,hhhh,pppp,rrrr		

---

<b>Type:</b> DC	<b>Manufacturer:</b> Watts	<b>Model:</b> 719QT
<b>Size:</b> 3/4	<b>Orientation:</b> H	<b>Meters:</b>
<b>Manual:</b> 9	<b>0.25% Pb:</b> No	<b>Spare Parts Only:</b> No
<b>Approved:</b> 04-Oct-2005	<b>Renewed:</b> 04-Oct-2020	<b>Bypass:</b>
<b>Shutoffs:</b> (vv),xx,ooo,hhhh,pppp,rrrr		

---

<b>Type:</b> DC	<b>Manufacturer:</b> Watts	<b>Model:</b> 719QT
<b>Size:</b> 3/4	<b>Orientation:</b> VD	<b>Meters:</b>
<b>Manual:</b> 9	<b>0.25% Pb:</b> No	<b>Spare Parts Only:</b> No
<b>Approved:</b> 04-Oct-2005	<b>Renewed:</b> 04-Oct-2020	<b>Bypass:</b>
<b>Shutoffs:</b> (vv),xx,ooo,hhhh,pppp,rrrr		

**Type:** DC  
**Size:** 3/4  
**Manual:** 9  
**Approved:** 04-Oct-2005  
**Shutoffs:** (vv),xx,ooo,hhhh,pppp,rrrr

**Manufacturer:** Watts  
**Orientation:** VU  
**0.25% Pb:** No  
**Renewed:** 04-Oct-2020

**Model:** 719QT  
**Meters:**  
**Spare Parts Only:** No  
**Bypass:**

---

**Type:** DC  
**Size:** 1  
**Manual:** 9  
**Approved:** 04-Oct-2005  
**Shutoffs:** (vv),xx,ooo,hhhh,pppp,rrrr

**Manufacturer:** Watts  
**Orientation:** H  
**0.25% Pb:** No  
**Renewed:** 04-Oct-2020

**Model:** 719QT  
**Meters:**  
**Spare Parts Only:** No  
**Bypass:**

---

**Type:** DC  
**Size:** 1  
**Manual:** 9  
**Approved:** 04-Oct-2005  
**Shutoffs:** (vv),xx,ooo,hhhh,pppp,rrrr

**Manufacturer:** Watts  
**Orientation:** VD  
**0.25% Pb:** No  
**Renewed:** 04-Oct-2020

**Model:** 719QT  
**Meters:**  
**Spare Parts Only:** No  
**Bypass:**

---

**Type:** DC  
**Size:** 1  
**Manual:** 9  
**Approved:** 04-Oct-2005  
**Shutoffs:** (vv),xx,ooo,hhhh,pppp,rrrr

**Manufacturer:** Watts  
**Orientation:** VU  
**0.25% Pb:** No  
**Renewed:** 04-Oct-2020

**Model:** 719QT  
**Meters:**  
**Spare Parts Only:** No  
**Bypass:**

---

**Type:** DC  
**Size:** 1 1/4  
**Manual:** 9  
**Approved:** 04-Oct-2005  
**Shutoffs:** (vv),xx,ooo,hhhh,pppp,rrrr

**Manufacturer:** Watts  
**Orientation:** H  
**0.25% Pb:** No  
**Renewed:** 04-Oct-2020

**Model:** 719QT  
**Meters:**  
**Spare Parts Only:** No  
**Bypass:**

---

**Type:** DC  
**Size:** 1 1/4  
**Manual:** 9  
**Approved:** 04-Oct-2005  
**Shutoffs:** (vv),xx,ooo,hhhh,pppp,rrrr

**Manufacturer:** Watts  
**Orientation:** VD  
**0.25% Pb:** No  
**Renewed:** 04-Oct-2020

**Model:** 719QT  
**Meters:**  
**Spare Parts Only:** No  
**Bypass:**

---

**Type:** DC  
**Size:** 1 1/4  
**Manual:** 9  
**Approved:** 04-Oct-2005  
**Shutoffs:** (vv),xx,ooo,hhhh,pppp,rrrr

**Manufacturer:** Watts  
**Orientation:** VU  
**0.25% Pb:** No  
**Renewed:** 04-Oct-2020

**Model:** 719QT  
**Meters:**  
**Spare Parts Only:** No  
**Bypass:**

**Type:** DC  
**Size:** 1 1/2  
**Manual:** 9  
**Approved:** 04-Oct-2005  
**Shutoffs:** (vv),xx,ooo,hhhh,pppp,rrrr

**Manufacturer:** Watts  
**Orientation:** H  
**0.25% Pb:** No  
**Renewed:** 04-Oct-2020

**Model:** 719QT  
**Meters:**  
**Spare Parts Only:** No  
**Bypass:**

---

**Type:** DC  
**Size:** 1 1/2  
**Manual:** 9  
**Approved:** 04-Oct-2005  
**Shutoffs:** (vv),xx,ooo,hhhh,pppp,rrrr

**Manufacturer:** Watts  
**Orientation:** VD  
**0.25% Pb:** No  
**Renewed:** 04-Oct-2020

**Model:** 719QT  
**Meters:**  
**Spare Parts Only:** No  
**Bypass:**

---

**Type:** DC  
**Size:** 1 1/2  
**Manual:** 9  
**Approved:** 04-Oct-2005  
**Shutoffs:** (vv),xx,ooo,hhhh,pppp,rrrr

**Manufacturer:** Watts  
**Orientation:** VU  
**0.25% Pb:** No  
**Renewed:** 04-Oct-2020

**Model:** 719QT  
**Meters:**  
**Spare Parts Only:** No  
**Bypass:**

---

**Type:** DC  
**Size:** 2  
**Manual:** 9  
**Approved:** 04-Oct-2005  
**Shutoffs:** (vv),xx,ooo,hhhh,pppp,rrrr

**Manufacturer:** Watts  
**Orientation:** H  
**0.25% Pb:** No  
**Renewed:** 04-Oct-2020

**Model:** 719QT  
**Meters:**  
**Spare Parts Only:** No  
**Bypass:**

---

**Type:** DC  
**Size:** 2  
**Manual:** 9  
**Approved:** 04-Oct-2005  
**Shutoffs:** (vv),xx,ooo,hhhh,pppp,rrrr

**Manufacturer:** Watts  
**Orientation:** VD  
**0.25% Pb:** No  
**Renewed:** 04-Oct-2020

**Model:** 719QT  
**Meters:**  
**Spare Parts Only:** No  
**Bypass:**

---

**Type:** DC  
**Size:** 2  
**Manual:** 9  
**Approved:** 04-Oct-2005  
**Shutoffs:** (vv),xx,ooo,hhhh,pppp,rrrr

**Manufacturer:** Watts  
**Orientation:** VU  
**0.25% Pb:** No  
**Renewed:** 04-Oct-2020

**Model:** 719QT  
**Meters:**  
**Spare Parts Only:** No  
**Bypass:**

---

**Type:** DC  
**Size:** 1/2  
**Manual:** 9  
**Approved:** 04-Oct-2005  
**Shutoffs:** (vv),xx,ooo,hhhh,pppp,rrrr

**Manufacturer:** Watts  
**Orientation:** H  
**0.25% Pb:** No  
**Renewed:** 04-Oct-2020

**Model:** 719QTR10  
**Meters:**  
**Spare Parts Only:** Yes  
**Bypass:**

<b>Type:</b> DC	<b>Manufacturer:</b> Watts	<b>Model:</b> 719QTR10
<b>Size:</b> 1/2	<b>Orientation:</b> VD	<b>Meters:</b>
<b>Manual:</b> 9	<b>0.25% Pb:</b> No	<b>Spare Parts Only:</b> Yes
<b>Approved:</b> 04-Oct-2005	<b>Renewed:</b> 04-Oct-2020	<b>Bypass:</b>
<b>Shutoffs:</b> (vv),xx,ooo,hhhh,pppp,rrrrr		

---

<b>Type:</b> DC	<b>Manufacturer:</b> Watts	<b>Model:</b> 719QTR10
<b>Size:</b> 1/2	<b>Orientation:</b> VU	<b>Meters:</b>
<b>Manual:</b> 9	<b>0.25% Pb:</b> No	<b>Spare Parts Only:</b> Yes
<b>Approved:</b> 04-Oct-2005	<b>Renewed:</b> 04-Oct-2020	<b>Bypass:</b>
<b>Shutoffs:</b> (vv),xx,ooo,hhhh,pppp,rrrrr		

---

<b>Type:</b> DC	<b>Manufacturer:</b> Watts	<b>Model:</b> 719QTR10
<b>Size:</b> 3/4	<b>Orientation:</b> H	<b>Meters:</b>
<b>Manual:</b> 9	<b>0.25% Pb:</b> No	<b>Spare Parts Only:</b> Yes
<b>Approved:</b> 04-Oct-2005	<b>Renewed:</b> 04-Oct-2020	<b>Bypass:</b>
<b>Shutoffs:</b> (vv),xx,ooo,hhhh,pppp,rrrrr		

---

<b>Type:</b> DC	<b>Manufacturer:</b> Watts	<b>Model:</b> 719QTR10
<b>Size:</b> 3/4	<b>Orientation:</b> VD	<b>Meters:</b>
<b>Manual:</b> 9	<b>0.25% Pb:</b> No	<b>Spare Parts Only:</b> Yes
<b>Approved:</b> 04-Oct-2005	<b>Renewed:</b> 04-Oct-2020	<b>Bypass:</b>
<b>Shutoffs:</b> (vv),xx,ooo,hhhh,pppp,rrrrr		

---

<b>Type:</b> DC	<b>Manufacturer:</b> Watts	<b>Model:</b> 719QTR10
<b>Size:</b> 3/4	<b>Orientation:</b> VU	<b>Meters:</b>
<b>Manual:</b> 9	<b>0.25% Pb:</b> No	<b>Spare Parts Only:</b> Yes
<b>Approved:</b> 04-Oct-2005	<b>Renewed:</b> 04-Oct-2020	<b>Bypass:</b>
<b>Shutoffs:</b> (vv),xx,ooo,hhhh,pppp,rrrrr		

---

<b>Type:</b> DC	<b>Manufacturer:</b> Watts	<b>Model:</b> 757
<b>Size:</b> 2 1/2	<b>Orientation:</b> H	<b>Meters:</b>
<b>Manual:</b> 9	<b>0.25% Pb:</b> No	<b>Spare Parts Only:</b> No
<b>Approved:</b> 29-Sep-2004	<b>Renewed:</b> 29-Sep-2019	<b>Bypass:</b>
<b>Shutoffs:</b> (ppp),qqq,aaaa,bbbb		

---

<b>Type:</b> DC	<b>Manufacturer:</b> Watts	<b>Model:</b> 757
<b>Size:</b> 2 1/2	<b>Orientation:</b> H	<b>Meters:</b>
<b>Manual:</b> 9	<b>0.25% Pb:</b> Yes	<b>Spare Parts Only:</b> No
<b>Approved:</b> 29-Sep-2004	<b>Renewed:</b> 29-Sep-2019	<b>Bypass:</b>
<b>Shutoffs:</b> yyy,zzz,dddd,eeee,gggg,kkkk,llll,mmmm,nnnn,nnnnn		



<b>Type:</b> DC	<b>Manufacturer:</b> Watts	<b>Model:</b> 757
<b>Size:</b> 2 1/2	<b>Orientation:</b> VU	<b>Meters:</b>
<b>Manual:</b> 9	<b>0.25% Pb:</b> No	<b>Spare Parts Only:</b> No
<b>Approved:</b> 29-Sep-2004	<b>Renewed:</b> 29-Sep-2019	<b>Bypass:</b>
<b>Shutoffs:</b> (ppp),qqq,aaaa,bbbb		

---

<b>Type:</b> DC	<b>Manufacturer:</b> Watts	<b>Model:</b> 757
<b>Size:</b> 2 1/2	<b>Orientation:</b> VU	<b>Meters:</b>
<b>Manual:</b> 9	<b>0.25% Pb:</b> Yes	<b>Spare Parts Only:</b> No
<b>Approved:</b> 29-Sep-2004	<b>Renewed:</b> 29-Sep-2019	<b>Bypass:</b>
<b>Shutoffs:</b> yyy,zzz,dddd,eeee,gggg,kkkk,llll,mmmm,nnnn,nnnnn		

---

<b>Type:</b> DC	<b>Manufacturer:</b> Watts	<b>Model:</b> 757
<b>Size:</b> 3	<b>Orientation:</b> H	<b>Meters:</b>
<b>Manual:</b> 9	<b>0.25% Pb:</b> No	<b>Spare Parts Only:</b> No
<b>Approved:</b> 29-Sep-2004	<b>Renewed:</b> 29-Sep-2019	<b>Bypass:</b>
<b>Shutoffs:</b> (ppp),qqq,aaaa,bbbb		

---

<b>Type:</b> DC	<b>Manufacturer:</b> Watts	<b>Model:</b> 757
<b>Size:</b> 3	<b>Orientation:</b> H	<b>Meters:</b>
<b>Manual:</b> 9	<b>0.25% Pb:</b> Yes	<b>Spare Parts Only:</b> No
<b>Approved:</b> 29-Sep-2004	<b>Renewed:</b> 29-Sep-2019	<b>Bypass:</b>
<b>Shutoffs:</b> yyy,zzz,dddd,eeee,gggg,kkkk,llll,mmmm,nnnn,nnnnn		

---

<b>Type:</b> DC	<b>Manufacturer:</b> Watts	<b>Model:</b> 757
<b>Size:</b> 3	<b>Orientation:</b> VU	<b>Meters:</b>
<b>Manual:</b> 9	<b>0.25% Pb:</b> No	<b>Spare Parts Only:</b> No
<b>Approved:</b> 29-Sep-2004	<b>Renewed:</b> 29-Sep-2019	<b>Bypass:</b>
<b>Shutoffs:</b> (ppp),qqq,aaaa,bbbb		

---

<b>Type:</b> DC	<b>Manufacturer:</b> Watts	<b>Model:</b> 757
<b>Size:</b> 3	<b>Orientation:</b> VU	<b>Meters:</b>
<b>Manual:</b> 9	<b>0.25% Pb:</b> Yes	<b>Spare Parts Only:</b> No
<b>Approved:</b> 29-Sep-2004	<b>Renewed:</b> 29-Sep-2019	<b>Bypass:</b>
<b>Shutoffs:</b> yyy,zzz,dddd,eeee,gggg,kkkk,llll,mmmm,nnnn,nnnnn		

---

<b>Type:</b> DC	<b>Manufacturer:</b> Watts	<b>Model:</b> 757
<b>Size:</b> 4	<b>Orientation:</b> H	<b>Meters:</b>
<b>Manual:</b> 9	<b>0.25% Pb:</b> No	<b>Spare Parts Only:</b> No
<b>Approved:</b> 29-Sep-2004	<b>Renewed:</b> 29-Sep-2019	<b>Bypass:</b>
<b>Shutoffs:</b> (ppp),qqq,aaaa,bbbb		



**Type:** DC                                      **Manufacturer:** Watts                                      **Model:** 757  
**Size:** 8    **Orientation:** H    **Meters:**  
**Manual:** 9    **0.25% Pb:** No    **Spare Parts Only:** No  
**Approved:** 16-Sep-2004                                      **Renewed:** 16-Sep-2019                                      **Bypass:**  
**Shutoffs:** (ppp),qqq,aaaa,bbbb

---

**Type:** DC                                      **Manufacturer:** Watts                                      **Model:** 757  
**Size:** 8    **Orientation:** H    **Meters:**  
**Manual:** 9    **0.25% Pb:** Yes    **Spare Parts Only:** No  
**Approved:** 16-Sep-2004                                      **Renewed:** 16-Sep-2019                                      **Bypass:**  
**Shutoffs:** yyy,zzz,dddd,eeee,gggg,kkkk,llll,mmmm,nnnn,nnnn

---

**Type:** DC                                      **Manufacturer:** Watts                                      **Model:** 757  
**Size:** 8    **Orientation:** VU    **Meters:**  
**Manual:** 9    **0.25% Pb:** No    **Spare Parts Only:** No  
**Approved:** 10-Feb-2006                                      **Renewed:** 10-Feb-2021                                      **Bypass:**  
**Shutoffs:** (ppp),qqq,aaaa,bbbb

---

**Type:** DC                                      **Manufacturer:** Watts                                      **Model:** 757  
**Size:** 8    **Orientation:** VU    **Meters:**  
**Manual:** 9    **0.25% Pb:** Yes    **Spare Parts Only:** No  
**Approved:** 10-Feb-2006                                      **Renewed:** 10-Feb-2021                                      **Bypass:**  
**Shutoffs:** yyy,zzz,dddd,eeee,gggg,kkkk,llll,mmmm,nnnn,nnnn

---

**Type:** DC                                      **Manufacturer:** Watts                                      **Model:** 757  
**Size:** 10    **Orientation:** H    **Meters:**  
**Manual:** 9    **0.25% Pb:** No    **Spare Parts Only:** No  
**Approved:** 02-May-2008                                      **Renewed:** 02-May-2020                                      **Bypass:**  
**Shutoffs:** (ppp),qqq,aaaa,bbbb

---

**Type:** DC                                      **Manufacturer:** Watts                                      **Model:** 757  
**Size:** 10    **Orientation:** H    **Meters:**  
**Manual:** 9    **0.25% Pb:** Yes    **Spare Parts Only:** No  
**Approved:** 02-May-2008                                      **Renewed:** 02-May-2020                                      **Bypass:**  
**Shutoffs:** yyy,zzz,dddd,eeee,gggg,kkkk,llll,mmmm,nnnn,nnnn

---

**Type:** DC                                      **Manufacturer:** Watts                                      **Model:** 757  
**Size:** 10    **Orientation:** VU    **Meters:**  
**Manual:** 9    **0.25% Pb:** No    **Spare Parts Only:** No  
**Approved:** 02-May-2008                                      **Renewed:** 02-May-2020                                      **Bypass:**  
**Shutoffs:** (ppp),qqq,aaaa,bbbb

**Type:** DC                                      **Manufacturer:** Watts                                      **Model:** 757  
**Size:** 10                                      **Orientation:** VU                                      **Meters:**  
**Manual:** 9                                      **0.25% Pb:** Yes                                      **Spare Parts Only:** No  
**Approved:** 02-May-2008                                      **Renewed:** 02-May-2020                                      **Bypass:**  
**Shutoffs:** yyy,zzz,dddd,eeee,gggg,kkkk,llll,mmmm,nnnn,nnnnn

---

**Type:** DC                                      **Manufacturer:** Watts                                      **Model:** 757a  
**Size:** 2 1/2                                      **Orientation:** H                                      **Meters:**  
**Manual:** 9                                      **0.25% Pb:** No                                      **Spare Parts Only:** Yes  
**Approved:** 07-Oct-2002                                      **Renewed:** 07-Oct-2020                                      **Bypass:**  
**Shutoffs:** (ppp),qqq,yyy,zzz,aaaa,bbbb,dddd,eeee,gggg,kkkk,llll,mmmm,nnnn,nnnnn

---

**Type:** DC                                      **Manufacturer:** Watts                                      **Model:** 757a  
**Size:** 2 1/2                                      **Orientation:** VU                                      **Meters:**  
**Manual:** 9                                      **0.25% Pb:** No                                      **Spare Parts Only:** Yes  
**Approved:** 07-Oct-2002                                      **Renewed:** 07-Oct-2020                                      **Bypass:**  
**Shutoffs:** (ppp),qqq,yyy,zzz,aaaa,bbbb,dddd,eeee,gggg,kkkk,llll,mmmm,nnnn,nnnnn

---

**Type:** DC                                      **Manufacturer:** Watts                                      **Model:** 757a  
**Size:** 3                                      **Orientation:** H                                      **Meters:**  
**Manual:** 9                                      **0.25% Pb:** No                                      **Spare Parts Only:** Yes  
**Approved:** 07-Oct-2002                                      **Renewed:** 07-Oct-2020                                      **Bypass:**  
**Shutoffs:** (ppp),qqq,yyy,zzz,aaaa,bbbb,dddd,eeee,gggg,kkkk,llll,mmmm,nnnn,nnnnn

---

**Type:** DC                                      **Manufacturer:** Watts                                      **Model:** 757a  
**Size:** 3                                      **Orientation:** VU                                      **Meters:**  
**Manual:** 9                                      **0.25% Pb:** No                                      **Spare Parts Only:** Yes  
**Approved:** 07-Oct-2002                                      **Renewed:** 07-Oct-2020                                      **Bypass:**  
**Shutoffs:** (ppp),qqq,yyy,zzz,aaaa,bbbb,dddd,eeee,gggg,kkkk,llll,mmmm,nnnn,nnnnn

---

**Type:** DC                                      **Manufacturer:** Watts                                      **Model:** 757a  
**Size:** 4                                      **Orientation:** H                                      **Meters:**  
**Manual:** 9                                      **0.25% Pb:** No                                      **Spare Parts Only:** Yes  
**Approved:** 07-Oct-2002                                      **Renewed:** 07-Oct-2020                                      **Bypass:**  
**Shutoffs:** (ppp),qqq,yyy,zzz,aaaa,bbbb,dddd,eeee,gggg,kkkk,llll,mmmm,nnnn,nnnnn

---

**Type:** DC                                      **Manufacturer:** Watts                                      **Model:** 757a  
**Size:** 4                                      **Orientation:** VU                                      **Meters:**  
**Manual:** 9                                      **0.25% Pb:** No                                      **Spare Parts Only:** Yes  
**Approved:** 07-Oct-2002                                      **Renewed:** 07-Oct-2020                                      **Bypass:**  
**Shutoffs:** (ppp),qqq,yyy,zzz,aaaa,bbbb,dddd,eeee,gggg,kkkk,llll,mmmm,nnnn,nnnnn

---

**Type:** DC                                    **Manufacturer:** Watts                                    **Model:** 757a  
**Size:** 6                                        **Orientation:** H    **Meters:**  
**Manual:** 9                                    **0.25% Pb:** No    **Spare Parts Only:** Yes  
**Approved:** 03-Jul-2003                                    **Renewed:** 03-Jul-2021                                    **Bypass:**  
**Shutoffs:** (ppp),qqq,yyy,zzz,aaaa,bbbb,dddd,eeee,gggg,kkkk,llll,mmmm,nnnn,nnnn

---

**Type:** DC                                    **Manufacturer:** Watts                                    **Model:** 757a  
**Size:** 6                                        **Orientation:** VU    **Meters:**  
**Manual:** 9                                    **0.25% Pb:** No    **Spare Parts Only:** Yes  
**Approved:** 03-Jul-2003                                    **Renewed:** 03-Jul-2021                                    **Bypass:**  
**Shutoffs:** (ppp),qqq,yyy,zzz,aaaa,bbbb,dddd,eeee,gggg,kkkk,llll,mmmm,nnnn,nnnn

---

**Type:** DC                                    **Manufacturer:** Watts                                    **Model:** 757N  
**Size:** 2 1/2                                    **Orientation:** VUVD    **Meters:**  
**Manual:** 9                                    **0.25% Pb:** No    **Spare Parts Only:** No  
**Approved:** 07-Apr-2009                                    **Renewed:** 07-Apr-2021                                    **Bypass:**  
**Shutoffs:** (ppp),qqq,nnnn

---

**Type:** DC                                    **Manufacturer:** Watts                                    **Model:** 757N  
**Size:** 2 1/2                                    **Orientation:** VUVD    **Meters:**  
**Manual:** 9                                    **0.25% Pb:** Yes    **Spare Parts Only:** No  
**Approved:** 07-Apr-2009                                    **Renewed:** 07-Apr-2021                                    **Bypass:**  
**Shutoffs:** yyy,zzz,dddd,eeee,dddd,gggg,kkkk,llll,mmmm,nnnn

---

**Type:** DC                                    **Manufacturer:** Watts                                    **Model:** 757N  
**Size:** 3    **Orientation:** VUVD    **Meters:**  
**Manual:** 9                                    **0.25% Pb:** No    **Spare Parts Only:** No  
**Approved:** 07-Apr-2009                                    **Renewed:** 07-Apr-2021                                    **Bypass:**  
**Shutoffs:** (ppp),qqq,nnnn

---

**Type:** DC                                    **Manufacturer:** Watts                                    **Model:** 757N  
**Size:** 3    **Orientation:** VUVD    **Meters:**  
**Manual:** 9                                    **0.25% Pb:** Yes    **Spare Parts Only:** No  
**Approved:** 07-Apr-2009                                    **Renewed:** 07-Apr-2021                                    **Bypass:**  
**Shutoffs:** yyy,zzz,dddd,eeee,dddd,gggg,kkkk,llll,mmmm,nnnn

---

**Type:** DC                                    **Manufacturer:** Watts                                    **Model:** 757N  
**Size:** 4    **Orientation:** VUVD    **Meters:**  
**Manual:** 9                                    **0.25% Pb:** No    **Spare Parts Only:** No  
**Approved:** 07-Apr-2009                                    **Renewed:** 07-Apr-2021                                    **Bypass:**  
**Shutoffs:** (ppp),qqq,nnnn

**Type:** DC                                   **Manufacturer:** Watts                                   **Model:** 757N  
**Size:** 4                                   **Orientation:** VUVD                                   **Meters:**  
**Manual:** 9                                   **0.25% Pb:** Yes                                   **Spare Parts Only:** No  
**Approved:** 07-Apr-2009                                   **Renewed:** 07-Apr-2021                                   **Bypass:**  
**Shutoffs:** yyy,zzz,dddd,eeee,dddd,gggg,kkkk,llll,mmmm,nnnn

---

**Type:** DC                                   **Manufacturer:** Watts                                   **Model:** 757N  
**Size:** 6                                   **Orientation:** VUVD                                   **Meters:**  
**Manual:** 9                                   **0.25% Pb:** No                                   **Spare Parts Only:** No  
**Approved:** 07-Apr-2009                                   **Renewed:** 07-Apr-2021                                   **Bypass:**  
**Shutoffs:** (ppp),qqq,nnnn

---

**Type:** DC                                   **Manufacturer:** Watts                                   **Model:** 757N  
**Size:** 6                                   **Orientation:** VUVD                                   **Meters:**  
**Manual:** 9                                   **0.25% Pb:** Yes                                   **Spare Parts Only:** No  
**Approved:** 07-Apr-2009                                   **Renewed:** 07-Apr-2021                                   **Bypass:**  
**Shutoffs:** yyy,zzz,dddd,eeee,dddd,gggg,kkkk,llll,mmmm,nnnn

---

**Type:** DC                                   **Manufacturer:** Watts                                   **Model:** 757N  
**Size:** 8                                   **Orientation:** VUVD                                   **Meters:**  
**Manual:** 9                                   **0.25% Pb:** No                                   **Spare Parts Only:** No  
**Approved:** 03-Jan-2013                                   **Renewed:** 03-Jan-2022                                   **Bypass:**  
**Shutoffs:** ppp,qqq,aaaa,bbbb

---

**Type:** DC                                   **Manufacturer:** Watts                                   **Model:** 757N  
**Size:** 8                                   **Orientation:** VUVD                                   **Meters:**  
**Manual:** 9                                   **0.25% Pb:** Yes                                   **Spare Parts Only:** No  
**Approved:** 03-Jan-2013                                   **Renewed:** 03-Jan-2022                                   **Bypass:**  
**Shutoffs:** yyy, zzz,dddd,eeee,gggg,kkkk,llll,mmmm,nnnn

---

**Type:** DC                                   **Manufacturer:** Watts                                   **Model:** 757N  
**Size:** 10                                   **Orientation:** VUVD                                   **Meters:**  
**Manual:** 9                                   **0.25% Pb:** No                                   **Spare Parts Only:** No  
**Approved:** 01-Sep-2009                                   **Renewed:** 01-Sep-2021                                   **Bypass:**  
**Shutoffs:** (ppp),qqq

---

**Type:** DC                                   **Manufacturer:** Watts                                   **Model:** 757N  
**Size:** 10                                   **Orientation:** VUVD                                   **Meters:**  
**Manual:** 9                                   **0.25% Pb:** Yes                                   **Spare Parts Only:** No  
**Approved:** 01-Sep-2009                                   **Renewed:** 01-Sep-2021                                   **Bypass:**  
**Shutoffs:** yyy,zzz,dddd,eeee,dddd,gggg,kkkk,llll,mmmm,nnnn

**Type:** DC **Manufacturer:** Watts **Model:** 757Na  
**Size:** 2 1/2 **Orientation:** VUVD **Meters:**  
**Manual:** 9 **0.25% Pb:** No **Spare Parts Only:** Yes  
**Approved:** 20-Mar-2003 **Renewed:** 20-Mar-2021 **Bypass:**  
**Shutoffs:** (ppp),qqq,yyy,zzz,aaaa,bbbb,dddd,eeee,gggg,kkkk,llll,mmmm,nnnn,nnnnn

---

**Type:** DC **Manufacturer:** Watts **Model:** 757Na  
**Size:** 3 **Orientation:** VUVD **Meters:**  
**Manual:** 9 **0.25% Pb:** No **Spare Parts Only:** Yes  
**Approved:** 20-Mar-2003 **Renewed:** 20-Mar-2021 **Bypass:**  
**Shutoffs:** (ppp),qqq,yyy,zzz,aaaa,bbbb,dddd,eeee,gggg,kkkk,llll,mmmm,nnnn,nnnnn

---

**Type:** DC **Manufacturer:** Watts **Model:** 757Na  
**Size:** 4 **Orientation:** VUVD **Meters:**  
**Manual:** 9 **0.25% Pb:** No **Spare Parts Only:** Yes  
**Approved:** 20-Mar-2003 **Renewed:** 20-Mar-2021 **Bypass:**  
**Shutoffs:** (ppp),qqq,yyy,zzz,aaaa,bbbb,dddd,eeee,gggg,kkkk,llll,mmmm,nnnn,nnnnn

---

**Type:** DC **Manufacturer:** Watts **Model:** 757Na  
**Size:** 6 **Orientation:** VUVD **Meters:**  
**Manual:** 9 **0.25% Pb:** No **Spare Parts Only:** Yes  
**Approved:** 03-Jul-2003 **Renewed:** 03-Jul-2021 **Bypass:**  
**Shutoffs:** (ppp),qqq,yyy,zzz,aaaa,bbbb,dddd,eeee,gggg,kkkk,llll,mmmm,nnnn,nnnnn

---

**Type:** DC **Manufacturer:** Watts **Model:** 757NQT  
**Size:** 2 1/2 **Orientation:** VUVD **Meters:**  
**Manual:** 9 **0.25% Pb:** Yes **Spare Parts Only:** No  
**Approved:** 04-Dec-2009 **Renewed:** 04-Dec-2021 **Bypass:**  
**Shutoffs:** ffff

---

**Type:** DC **Manufacturer:** Watts **Model:** 757NQT  
**Size:** 3 **Orientation:** VUVD **Meters:**  
**Manual:** 9 **0.25% Pb:** Yes **Spare Parts Only:** No  
**Approved:** 04-Dec-2009 **Renewed:** 04-Dec-2021 **Bypass:**  
**Shutoffs:** ffff

---

**Type:** DC **Manufacturer:** Watts **Model:** 757NQT  
**Size:** 4 **Orientation:** VUVD **Meters:**  
**Manual:** 9 **0.25% Pb:** Yes **Spare Parts Only:** No  
**Approved:** 04-Dec-2009 **Renewed:** 04-Dec-2021 **Bypass:**  
**Shutoffs:** ffff

**Type:** DC                                      **Manufacturer:** Watts                                      **Model:** 757QT  
**Size:** 2 1/2                                      **Orientation:** H                                      **Meters:**  
**Manual:** 9                                      **0.25% Pb:** Yes                                      **Spare Parts Only:** No  
**Approved:** 04-Dec-2009                                      **Renewed:** 04-Dec-2021                                      **Bypass:**  
**Shutoffs:** ffff

---

**Type:** DC                                      **Manufacturer:** Watts                                      **Model:** 757QT  
**Size:** 2 1/2                                      **Orientation:** VU                                      **Meters:**  
**Manual:** 9                                      **0.25% Pb:** Yes                                      **Spare Parts Only:** No  
**Approved:** 04-Dec-2009                                      **Renewed:** 04-Dec-2021                                      **Bypass:**  
**Shutoffs:** ffff

---

**Type:** DC                                      **Manufacturer:** Watts                                      **Model:** 757QT  
**Size:** 3                                      **Orientation:** H                                      **Meters:**  
**Manual:** 9                                      **0.25% Pb:** Yes                                      **Spare Parts Only:** No  
**Approved:** 04-Dec-2009                                      **Renewed:** 04-Dec-2021                                      **Bypass:**  
**Shutoffs:** ffff

---

**Type:** DC                                      **Manufacturer:** Watts                                      **Model:** 757QT  
**Size:** 3                                      **Orientation:** VU                                      **Meters:**  
**Manual:** 9                                      **0.25% Pb:** Yes                                      **Spare Parts Only:** No  
**Approved:** 04-Dec-2009                                      **Renewed:** 04-Dec-2021                                      **Bypass:**  
**Shutoffs:** ffff

---

**Type:** DC                                      **Manufacturer:** Watts                                      **Model:** 757QT  
**Size:** 4                                      **Orientation:** H                                      **Meters:**  
**Manual:** 9                                      **0.25% Pb:** Yes                                      **Spare Parts Only:** No  
**Approved:** 04-Dec-2009                                      **Renewed:** 04-Dec-2021                                      **Bypass:**  
**Shutoffs:** ffff

---

**Type:** DC                                      **Manufacturer:** Watts                                      **Model:** 757QT  
**Size:** 4                                      **Orientation:** VU                                      **Meters:**  
**Manual:** 9                                      **0.25% Pb:** Yes                                      **Spare Parts Only:** No  
**Approved:** 04-Dec-2009                                      **Renewed:** 04-Dec-2021                                      **Bypass:**  
**Shutoffs:** ffff

---

**Type:** DC                                      **Manufacturer:** Watts                                      **Model:** 767  
**Size:** 2 1/2                                      **Orientation:** H                                      **Meters:**  
**Manual:** 9                                      **0.25% Pb:** No                                      **Spare Parts Only:** No  
**Approved:** 29-Sep-2004                                      **Renewed:** 29-Sep-2019                                      **Bypass:**  
**Shutoffs:** (ppp),qqq,yyy,zzz,aaaa,bbbb,dddd,eeee,gggg,kkkk,llll,mmmm,nnnn,nnnnn



**Type:** DC **Manufacturer:** Watts **Model:** 767  
**Size:** 2 1/2 **Orientation:** VU **Meters:**  
**Manual:** 9 **0.25% Pb:** No **Spare Parts Only:** No  
**Approved:** 29-Sep-2004 **Renewed:** 29-Sep-2019 **Bypass:**  
**Shutoffs:** (ppp),qqq,yyy,zzz,aaaa,bbbb,dddd,eeee,gggg,kkkk,llll,mmmm,nnnn,nnnnn

---

**Type:** DC **Manufacturer:** Watts **Model:** 767  
**Size:** 3 **Orientation:** H **Meters:**  
**Manual:** 9 **0.25% Pb:** No **Spare Parts Only:** No  
**Approved:** 29-Sep-2004 **Renewed:** 29-Sep-2019 **Bypass:**  
**Shutoffs:** (ppp),qqq,yyy,zzz,aaaa,bbbb,dddd,eeee,gggg,kkkk,llll,mmmm,nnnn,nnnnn

---

**Type:** DC **Manufacturer:** Watts **Model:** 767  
**Size:** 3 **Orientation:** VU **Meters:**  
**Manual:** 9 **0.25% Pb:** No **Spare Parts Only:** No  
**Approved:** 29-Sep-2004 **Renewed:** 29-Sep-2019 **Bypass:**  
**Shutoffs:** (ppp),qqq,yyy,zzz,aaaa,bbbb,dddd,eeee,gggg,kkkk,llll,mmmm,nnnn,nnnnn

---

**Type:** DC **Manufacturer:** Watts **Model:** 767  
**Size:** 4 **Orientation:** H **Meters:**  
**Manual:** 9 **0.25% Pb:** No **Spare Parts Only:** No  
**Approved:** 21-Apr-2006 **Renewed:** 21-Apr-2021 **Bypass:**  
**Shutoffs:** (ppp),qqq,yyy,zzz,aaaa,bbbb,dddd,eeee,gggg,kkkk,llll,mmmm,nnnn,nnnnn

---

**Type:** DC **Manufacturer:** Watts **Model:** 767  
**Size:** 4 **Orientation:** VU **Meters:**  
**Manual:** 9 **0.25% Pb:** No **Spare Parts Only:** No  
**Approved:** 21-Apr-2006 **Renewed:** 21-Apr-2021 **Bypass:**  
**Shutoffs:** (ppp),qqq,yyy,zzz,aaaa,bbbb,dddd,eeee,gggg,kkkk,llll,mmmm,nnnn,nnnnn

---

**Type:** DC **Manufacturer:** Watts **Model:** 767  
**Size:** 6 **Orientation:** H **Meters:**  
**Manual:** 9 **0.25% Pb:** No **Spare Parts Only:** No  
**Approved:** 16-Sep-2004 **Renewed:** 16-Sep-2019 **Bypass:**  
**Shutoffs:** (yyy),ppp,qqq,zzz,aaaa,bbbb,dddd,eeee,gggg,kkkk,llll,mmmm,nnnn,nnnnn

---

**Type:** DC **Manufacturer:** Watts **Model:** 767  
**Size:** 6 **Orientation:** VU **Meters:**  
**Manual:** 9 **0.25% Pb:** No **Spare Parts Only:** No  
**Approved:** 10-Feb-2006 **Renewed:** 10-Feb-2021 **Bypass:**  
**Shutoffs:** (yyy),ppp,qqq,zzz,aaaa,bbbb,dddd,eeee,gggg,kkkk,llll,mmmm,nnnn,nnnnn

**Type:** DC                              **Manufacturer:** Watts                              **Model:** 767  
**Size:** 8                                      **Orientation:** H                                      **Meters:**  
**Manual:** 9                                      **0.25% Pb:** No                                      **Spare Parts Only:** No  
**Approved:** 02-May-2008                              **Renewed:** 02-May-2020                              **Bypass:**  
**Shutoffs:** (yyy), ppp, qqz,zzz, aaaa, bbbb, dddd, eeee, ffff, gggg,nnnn

---

**Type:** DC                              **Manufacturer:** Watts                              **Model:** 767  
**Size:** 8                                      **Orientation:** VU                                      **Meters:**  
**Manual:** 9                                      **0.25% Pb:** No                                      **Spare Parts Only:** No  
**Approved:** 02-May-2008                              **Renewed:** 02-May-2020                              **Bypass:**  
**Shutoffs:** (yyy), ppp, qqz,zzz, aaaa, bbbb, dddd, eeee, ffff, gggg,nnnn

---

**Type:** DC                              **Manufacturer:** Watts                              **Model:** 767  
**Size:** 10                                      **Orientation:** H                                      **Meters:**  
**Manual:** 9                                      **0.25% Pb:** No                                      **Spare Parts Only:** No  
**Approved:** 20-Oct-2008                              **Renewed:** 20-Oct-2020                              **Bypass:**  
**Shutoffs:** (ppp),qqz,yyy,zzz,aaaa,bbbb,dddd,eeee,gggg

---

**Type:** DC                              **Manufacturer:** Watts                              **Model:** 767  
**Size:** 10                                      **Orientation:** VU                                      **Meters:**  
**Manual:** 9                                      **0.25% Pb:** No                                      **Spare Parts Only:** No  
**Approved:** 20-Oct-2008                              **Renewed:** 20-Oct-2020                              **Bypass:**  
**Shutoffs:** (ppp),qqz,yyy,zzz,aaaa,bbbb,dddd,eeee,gggg

---

**Type:** DC                              **Manufacturer:** Watts                              **Model:** 767a  
**Size:** 2 1/2                                      **Orientation:** H                                      **Meters:**  
**Manual:** 9                                      **0.25% Pb:** No                                      **Spare Parts Only:** Yes  
**Approved:** 07-Oct-2002                              **Renewed:** 07-Oct-2020                              **Bypass:**  
**Shutoffs:** (ppp),qqz,yyy,zzz,aaaa,bbbb,dddd,eeee,gggg,kkkk,llll,mmmm,nnnn,nnnn

---

**Type:** DC                              **Manufacturer:** Watts                              **Model:** 767a  
**Size:** 2 1/2                                      **Orientation:** VU                                      **Meters:**  
**Manual:** 9                                      **0.25% Pb:** No                                      **Spare Parts Only:** Yes  
**Approved:** 07-Oct-2002                              **Renewed:** 07-Oct-2020                              **Bypass:**  
**Shutoffs:** (ppp),qqz,yyy,zzz,aaaa,bbbb,dddd,eeee,gggg,kkkk,llll,mmmm,nnnn,nnnn

---

**Type:** DC                              **Manufacturer:** Watts                              **Model:** 767a  
**Size:** 3    **Orientation:** H                                      **Meters:**  
**Manual:** 9                                      **0.25% Pb:** No                                      **Spare Parts Only:** Yes  
**Approved:** 07-Oct-2002                              **Renewed:** 07-Oct-2020                              **Bypass:**  
**Shutoffs:** (ppp),qqz,yyy,zzz,aaaa,bbbb,dddd,eeee,gggg,kkkk,llll,mmmm,nnnn,nnnn

**Type:** DC                                  **Manufacturer:** Watts                                  **Model:** 767a  
**Size:** 3    **Orientation:** VU    **Meters:**  
**Manual:** 9                                      **0.25% Pb:** No    **Spare Parts Only:** Yes  
**Approved:** 07-Oct-2002                      **Renewed:** 07-Oct-2020                                  **Bypass:**  
**Shutoffs:** (ppp),qqq,yyy,zzz,aaaa,bbbb,dddd,eeee,gggg,kkkk,llll,mmmm,nnnn,nnnnn

---

**Type:** DC                                  **Manufacturer:** Watts                                  **Model:** 767a  
**Size:** 4    **Orientation:** H    **Meters:**  
**Manual:** 9                                      **0.25% Pb:** No    **Spare Parts Only:** Yes  
**Approved:** 03-Jul-2003                      **Renewed:** 03-Jul-2021                                  **Bypass:**  
**Shutoffs:** (ppp),qqq,yyy,zzz,aaaa,bbbb,dddd,eeee,gggg,kkkk,llll,mmmm,nnnn,nnnnn

---

**Type:** DC                                  **Manufacturer:** Watts                                  **Model:** 767a  
**Size:** 4    **Orientation:** VU    **Meters:**  
**Manual:** 9                                      **0.25% Pb:** No    **Spare Parts Only:** Yes  
**Approved:** 03-Jul-2003                      **Renewed:** 03-Jul-2021                                  **Bypass:**  
**Shutoffs:** (ppp),qqq,yyy,zzz,aaaa,bbbb,dddd,eeee,gggg,kkkk,llll,mmmm,nnnn,nnnnn

---

**Type:** DC                                  **Manufacturer:** Watts                                  **Model:** 767N  
**Size:** 2 1/2                                      **Orientation:** VUVD                                      **Meters:**  
**Manual:** 9                                      **0.25% Pb:** No    **Spare Parts Only:** No  
**Approved:** 07-Apr-2009                      **Renewed:** 07-Apr-2021                                  **Bypass:**  
**Shutoffs:** (ppp),qqq,yyy,zzz,dddd,eeee,dddd,gggg,kkkk,llll,mmmm,nnnn,nnnnn

---

**Type:** DC                                  **Manufacturer:** Watts                                  **Model:** 767N  
**Size:** 3    **Orientation:** VUVD                                      **Meters:**  
**Manual:** 9                                      **0.25% Pb:** No    **Spare Parts Only:** No  
**Approved:** 07-Apr-2009                      **Renewed:** 07-Apr-2021                                  **Bypass:**  
**Shutoffs:** (ppp),qqq,yyy,zzz,dddd,eeee,dddd,gggg,kkkk,llll,mmmm,nnnn,nnnnn

---

**Type:** DC                                  **Manufacturer:** Watts                                  **Model:** 767N  
**Size:** 4    **Orientation:** VUVD                                      **Meters:**  
**Manual:** 9                                      **0.25% Pb:** No    **Spare Parts Only:** No  
**Approved:** 07-Apr-2009                      **Renewed:** 07-Apr-2021                                  **Bypass:**  
**Shutoffs:** (ppp),qqq,yyy,zzz,dddd,eeee,dddd,gggg,kkkk,llll,mmmm,nnnn,nnnnn

---

**Type:** DC                                  **Manufacturer:** Watts                                  **Model:** 767N  
**Size:** 6    **Orientation:** VUVD                                      **Meters:**  
**Manual:** 9                                      **0.25% Pb:** No    **Spare Parts Only:** No  
**Approved:** 03-Jan-2013                      **Renewed:** 03-Jan-2022                                  **Bypass:**  
**Shutoffs:** ppp,qqq,aaaa,bbbb

Type: DC  
Size: 6  
Manual: 9  
Approved: 03-Jan-2013  
Shutoffs: yyy,zzz,dddd,eeee,gggg,kkkk,llll,mmmm,nnnn

Manufacturer: Watts  
Orientation: VUVD  
0.25% Pb: Yes  
Renewed: 03-Jan-2022

Model: 767N  
Meters:  
Spare Parts Only: No  
Bypass:

---

Type: DC  
Size: 8  
Manual: 9  
Approved: 01-Sep-2009  
Shutoffs: (ppp),qqq,yyy,zzz,dddd,eeee,dddd,gggg,kkkk,llll,mmmm,nnnn,nnnnn

Manufacturer: Watts  
Orientation: VUVD  
0.25% Pb: No  
Renewed: 01-Sep-2021

Model: 767N  
Meters:  
Spare Parts Only: No  
Bypass:

---

Type: DC  
Size: 2 1/2  
Manual: 9  
Approved: 20-Mar-2003  
Shutoffs: (ppp),qqq,yyy,zzz,aaaa,bbbb,dddd,eeee,gggg,kkkk,llll,mmmm,nnnn,nnnnn

Manufacturer: Watts  
Orientation: VUVD  
0.25% Pb: No  
Renewed: 20-Mar-2021

Model: 767Na  
Meters:  
Spare Parts Only: Yes  
Bypass:

---

Type: DC  
Size: 3  
Manual: 9  
Approved: 20-Mar-2003  
Shutoffs: (ppp),qqq,yyy,zzz,aaaa,bbbb,dddd,eeee,gggg,kkkk,llll,mmmm,nnnn,nnnnn

Manufacturer: Watts  
Orientation: VUVD  
0.25% Pb: No  
Renewed: 20-Mar-2021

Model: 767Na  
Meters:  
Spare Parts Only: Yes  
Bypass:

---

Type: DC  
Size: 4  
Manual: 9  
Approved: 03-Jul-2003  
Shutoffs: (ppp),qqq,yyy,zzz,aaaa,bbbb,dddd,eeee,gggg,kkkk,llll,mmmm,nnnn,nnnnn

Manufacturer: Watts  
Orientation: VUVD  
0.25% Pb: No  
Renewed: 03-Jul-2021

Model: 767Na  
Meters:  
Spare Parts Only: Yes  
Bypass:

---

Type: DC  
Size: 4  
Manual: 8  
Approved: 20-May-1992  
Shutoffs: oo,gg,hh,ll,mm,pp,tt,uu,yy

Manufacturer: Watts  
Orientation: H  
0.25% Pb: No  
Renewed: 20-May-2022

Model: 770  
Meters:  
Spare Parts Only: Yes  
Bypass:

---

Type: DC  
Size: 8  
Manual: 8  
Approved: 13-Jan-1993  
Shutoffs: oo,gg,hh,ll,mm,pp,tt,uu,yy

Manufacturer: Watts  
Orientation: H  
0.25% Pb: No  
Renewed: 13-Jan-2020

Model: 770  
Meters:  
Spare Parts Only: Yes  
Bypass:

**Type:** DC                                **Manufacturer:** Watts                                **Model:** 770QTFDA  
**Size:** 4                                    **Orientation:** H                                        **Meters:**  
**Manual:** 8                                **0.25% Pb:** No                                       **Spare Parts Only:** Yes  
**Approved:** 12-Jan-1993               **Renewed:** 12-Jan-2020                           **Bypass:**  
**Shutoffs:** ww

---

**Type:** DC                                **Manufacturer:** Watts                                **Model:** 770QTFDA  
**Size:** 8                                    **Orientation:** H                                        **Meters:**  
**Manual:** 8                                **0.25% Pb:** No                                       **Spare Parts Only:** Yes  
**Approved:** 12-Jan-1993               **Renewed:** 12-Jan-2020                           **Bypass:**  
**Shutoffs:** ww

---

**Type:** DC                                **Manufacturer:** Watts                                **Model:** 772  
**Size:** 4                                    **Orientation:** H                                        **Meters:**  
**Manual:** 8                                **0.25% Pb:** No                                       **Spare Parts Only:** Yes  
**Approved:** 01-Jul-1992               **Renewed:** 01-Jul-2022                           **Bypass:**  
**Shutoffs:** oo,yy

---

**Type:** DC                                **Manufacturer:** Watts                                **Model:** 772  
**Size:** 10                                  **Orientation:** H                                        **Meters:**  
**Manual:** 8                                **0.25% Pb:** No                                       **Spare Parts Only:** Yes  
**Approved:** 13-Jan-1993               **Renewed:** 13-Jan-2020                           **Bypass:**  
**Shutoffs:** oo,yy

---

**Type:** DC                                **Manufacturer:** Watts                                **Model:** 774  
**Size:** 2 1/2                               **Orientation:** H                                        **Meters:**  
**Manual:** 8                                **0.25% Pb:** No                                       **Spare Parts Only:** No  
**Approved:** 11-Jul-1991               **Renewed:** 11-Jul-2021                           **Bypass:**  
**Shutoffs:** (tt),ee,ff,gg,hh,pp,uu,ccc,ddd

---

**Type:** DC                                **Manufacturer:** Watts                                **Model:** 774  
**Size:** 2 1/2                               **Orientation:** H                                        **Meters:**  
**Manual:** 8                                **0.25% Pb:** Yes                                       **Spare Parts Only:** No  
**Approved:** 11-Jul-1991               **Renewed:** 11-Jul-2021                           **Bypass:**  
**Shutoffs:** ll,mm,oo,ffff,gggg

---

**Type:** DC                                **Manufacturer:** Watts                                **Model:** 774  
**Size:** 3                                    **Orientation:** H                                        **Meters:**  
**Manual:** 8                                **0.25% Pb:** No                                       **Spare Parts Only:** No  
**Approved:** 11-Jul-1991               **Renewed:** 11-Jul-2021                           **Bypass:**  
**Shutoffs:** (tt),ee,ff,gg,hh,pp,uu,ccc,ddd

**Type:** DC                                   **Manufacturer:** Watts                                   **Model:** 774  
**Size:** 3                                   **Orientation:** H                                   **Meters:**  
**Manual:** 8                                   **0.25% Pb:** Yes                                   **Spare Parts Only:** No  
**Approved:** 11-Jul-1991                                   **Renewed:** 11-Jul-2021                                   **Bypass:**  
**Shutoffs:** ll,mm,oo,ffff,gggg

---

**Type:** DC                                   **Manufacturer:** Watts                                   **Model:** 774  
**Size:** 4                                   **Orientation:** H                                   **Meters:**  
**Manual:** 8                                   **0.25% Pb:** No                                   **Spare Parts Only:** No  
**Approved:** 11-Jul-1991                                   **Renewed:** 11-Jul-2021                                   **Bypass:**  
**Shutoffs:** (tt),ee,ff,gg,hh,pp,uu,ccc,ddd

---

**Type:** DC                                   **Manufacturer:** Watts                                   **Model:** 774  
**Size:** 4                                   **Orientation:** H                                   **Meters:**  
**Manual:** 8                                   **0.25% Pb:** Yes                                   **Spare Parts Only:** No  
**Approved:** 11-Jul-1991                                   **Renewed:** 11-Jul-2021                                   **Bypass:**  
**Shutoffs:** ll,mm,oo,ffff,gggg

---

**Type:** DC                                   **Manufacturer:** Watts                                   **Model:** 774  
**Size:** 6                                   **Orientation:** H                                   **Meters:**  
**Manual:** 8                                   **0.25% Pb:** No                                   **Spare Parts Only:** No  
**Approved:** 09-Sep-1992                                   **Renewed:** 09-Sep-2019                                   **Bypass:**  
**Shutoffs:** (tt),ee,ff,gg,hh,pp,uu,ccc,ddd

---

**Type:** DC                                   **Manufacturer:** Watts                                   **Model:** 774  
**Size:** 6                                   **Orientation:** H                                   **Meters:**  
**Manual:** 8                                   **0.25% Pb:** Yes                                   **Spare Parts Only:** No  
**Approved:** 09-Sep-1992                                   **Renewed:** 09-Sep-2019                                   **Bypass:**  
**Shutoffs:** ll,mm,oo,ffff,gggg

---

**Type:** DC                                   **Manufacturer:** Watts                                   **Model:** 774  
**Size:** 8                                   **Orientation:** H                                   **Meters:**  
**Manual:** 8                                   **0.25% Pb:** No                                   **Spare Parts Only:** No  
**Approved:** 16-Sep-1996                                   **Renewed:** 16-Sep-2020                                   **Bypass:**  
**Shutoffs:** (tt),ee,ff,gg,hh,pp,uu,ccc,ddd

---

**Type:** DC                                   **Manufacturer:** Watts                                   **Model:** 774  
**Size:** 8                                   **Orientation:** H                                   **Meters:**  
**Manual:** 8                                   **0.25% Pb:** Yes                                   **Spare Parts Only:** No  
**Approved:** 16-Sep-1996                                   **Renewed:** 16-Sep-2020                                   **Bypass:**  
**Shutoffs:** ll,mm,oo,ffff,gggg

**Type:** DC                                      **Manufacturer:** Watts                                      **Model:** 774  
**Size:** 10                                      **Orientation:** H                                      **Meters:**  
**Manual:** 8                                      **0.25% Pb:** Yes                                      **Spare Parts Only:** No  
**Approved:** 16-Feb-2001                                      **Renewed:** 16-Feb-2022                                      **Bypass:**  
**Shutoffs:** (ll),mm,ffff,gggg

---

**Type:** DC                                      **Manufacturer:** Watts                                      **Model:** 774  
**Size:** 12                                      **Orientation:** H                                      **Meters:**  
**Manual:** 9                                      **0.25% Pb:** No                                      **Spare Parts Only:** No  
**Approved:** 12-Jan-2010                                      **Renewed:** 12-Jan-2022                                      **Bypass:**  
**Shutoffs:** hh,gg

---

**Type:** DC                                      **Manufacturer:** Watts                                      **Model:** 774  
**Size:** 12                                      **Orientation:** H                                      **Meters:**  
**Manual:** 9                                      **0.25% Pb:** No                                      **Spare Parts Only:** No  
**Approved:** 12-Jan-2010                                      **Renewed:** 12-Jan-2022                                      **Bypass:**  
**Shutoffs:** (ll),mm

---

**Type:** DC                                      **Manufacturer:** Watts                                      **Model:** 774  
**Size:** 12                                      **Orientation:** VU                                      **Meters:**  
**Manual:** 9                                      **0.25% Pb:** No                                      **Spare Parts Only:** No  
**Approved:** 21-Mar-2011                                      **Renewed:** 21-Mar-2020                                      **Bypass:**  
**Shutoffs:** pp,

---

**Type:** DC                                      **Manufacturer:** Watts                                      **Model:** 774  
**Size:** 12                                      **Orientation:** VU                                      **Meters:**  
**Manual:** 9                                      **0.25% Pb:** Yes                                      **Spare Parts Only:** No  
**Approved:** 21-Mar-2011                                      **Renewed:** 21-Mar-2020                                      **Bypass:**  
**Shutoffs:** (ll),mm,oo

---

**Type:** DC                                      **Manufacturer:** Watts                                      **Model:** 774X  
**Size:** 2 1/2                                      **Orientation:** H                                      **Meters:**  
**Manual:** 8                                      **0.25% Pb:** No                                      **Spare Parts Only:** Yes  
**Approved:** 10-Sep-1996                                      **Renewed:** 10-Sep-2020                                      **Bypass:**  
**Shutoffs:** (mm),ee,ff,gg,hh,ll,oo,pp,tt,uu,ccc,ddd,ffff,gggg

---

**Type:** DC                                      **Manufacturer:** Watts                                      **Model:** 774X  
**Size:** 6                                      **Orientation:** H                                      **Meters:**  
**Manual:** 8                                      **0.25% Pb:** No                                      **Spare Parts Only:** Yes  
**Approved:** 22-Nov-1993                                      **Renewed:** 22-Nov-2020                                      **Bypass:**  
**Shutoffs:** tt,ee,ff,gg,hh,ll,mm,oo,pp,uu,ccc,ddd,ffff,gggg

**Type:** DC                            **Manufacturer:** Watts                            **Model:** 774X  
**Size:** 8                                    **Orientation:** H                                    **Meters:**  
**Manual:** 8                                **0.25% Pb:** No                                   **Spare Parts Only:** Yes  
**Approved:** 09-Sep-1992                   **Renewed:** 09-Sep-2019                     **Bypass:**  
**Shutoffs:** tt,ee,ff,gg,hh,ll,mm,oo,pp,uu,ccc,ddd,ffff,gggg

---

**Type:** DC                            **Manufacturer:** Watts                            **Model:** 775QT  
**Size:** 1/2                                   **Orientation:** H                                   **Meters:**  
**Manual:** 9                                **0.25% Pb:** No                                   **Spare Parts Only:** Yes  
**Approved:** 01-Feb-2000                   **Renewed:** 01-Feb-2021                     **Bypass:**  
**Shutoffs:** int

---

**Type:** DC                            **Manufacturer:** Watts                            **Model:** 775QT  
**Size:** 1/2                                   **Orientation:** VU                                   **Meters:**  
**Manual:** 9                                **0.25% Pb:** No                                   **Spare Parts Only:** Yes  
**Approved:** 01-Feb-2000                   **Renewed:** 01-Feb-2021                     **Bypass:**  
**Shutoffs:** int

---

**Type:** DC                            **Manufacturer:** Watts                            **Model:** 775QT  
**Size:** 3/4                                   **Orientation:** H                                   **Meters:**  
**Manual:** 9                                **0.25% Pb:** No                                   **Spare Parts Only:** Yes  
**Approved:** 01-Feb-2000                   **Renewed:** 01-Feb-2021                     **Bypass:**  
**Shutoffs:** int

---

**Type:** DC                            **Manufacturer:** Watts                            **Model:** 775QT  
**Size:** 3/4                                   **Orientation:** VU                                   **Meters:**  
**Manual:** 9                                **0.25% Pb:** No                                   **Spare Parts Only:** Yes  
**Approved:** 01-Feb-2000                   **Renewed:** 01-Feb-2021                     **Bypass:**  
**Shutoffs:** int

---

**Type:** DC                            **Manufacturer:** Watts                            **Model:** 775QT  
**Size:** 1                                       **Orientation:** H                                   **Meters:**  
**Manual:** 9                                **0.25% Pb:** No                                   **Spare Parts Only:** Yes  
**Approved:** 12-Aug-1999                   **Renewed:** 12-Aug-2020                     **Bypass:**  
**Shutoffs:** int

---

**Type:** DC                            **Manufacturer:** Watts                            **Model:** 775QT  
**Size:** 1                                       **Orientation:** VU                                   **Meters:**  
**Manual:** 9                                **0.25% Pb:** No                                   **Spare Parts Only:** Yes  
**Approved:** 12-Aug-1999                   **Renewed:** 12-Aug-2020                     **Bypass:**  
**Shutoffs:** int



**Type:** DC  
**Size:** 1 1/4  
**Manual:** 9  
**Approved:** 07-Sep-2000  
**Shutoffs:** int

**Manufacturer:** Watts  
**Orientation:** H  
**0.25% Pb:** No  
**Renewed:** 07-Sep-2021

**Model:** 775QT  
**Meters:**  
**Spare Parts Only:** Yes  
**Bypass:**

---

**Type:** DC  
**Size:** 1 1/4  
**Manual:** 9  
**Approved:** 07-Sep-2000  
**Shutoffs:** int

**Manufacturer:** Watts  
**Orientation:** VU  
**0.25% Pb:** No  
**Renewed:** 07-Sep-2021

**Model:** 775QT  
**Meters:**  
**Spare Parts Only:** Yes  
**Bypass:**

---

**Type:** DC  
**Size:** 1 1/2  
**Manual:** 9  
**Approved:** 07-Sep-2000  
**Shutoffs:** int

**Manufacturer:** Watts  
**Orientation:** H  
**0.25% Pb:** No  
**Renewed:** 07-Sep-2021

**Model:** 775QT  
**Meters:**  
**Spare Parts Only:** Yes  
**Bypass:**

---

**Type:** DC  
**Size:** 1 1/2  
**Manual:** 9  
**Approved:** 07-Sep-2000  
**Shutoffs:** int

**Manufacturer:** Watts  
**Orientation:** VU  
**0.25% Pb:** No  
**Renewed:** 07-Sep-2021

**Model:** 775QT  
**Meters:**  
**Spare Parts Only:** Yes  
**Bypass:**

---

**Type:** DC  
**Size:** 2  
**Manual:** 9  
**Approved:** 28-Mar-2002  
**Shutoffs:** int

**Manufacturer:** Watts  
**Orientation:** H  
**0.25% Pb:** No  
**Renewed:** 28-Mar-2020

**Model:** 775QT  
**Meters:**  
**Spare Parts Only:** Yes  
**Bypass:**

---

**Type:** DC  
**Size:** 2  
**Manual:** 9  
**Approved:** 28-Mar-2002  
**Shutoffs:** int

**Manufacturer:** Watts  
**Orientation:** VU  
**0.25% Pb:** No  
**Renewed:** 28-Mar-2020

**Model:** 775QT  
**Meters:**  
**Spare Parts Only:** Yes  
**Bypass:**

---

**Type:** DC  
**Size:** 2 1/2  
**Manual:** 9  
**Approved:** 12-Jan-2010  
**Shutoffs:** (oo)

**Manufacturer:** Watts  
**Orientation:** H  
**0.25% Pb:** Yes  
**Renewed:** 12-Jan-2022

**Model:** LF007  
**Meters:**  
**Spare Parts Only:** No  
**Bypass:**

**Type:** DC  
**Size:** 3  
**Manual:** 9  
**Approved:** 12-Jan-2010  
**Shutoffs:** (oo)

**Manufacturer:** Watts  
**Orientation:** H  
**0.25% Pb:** Yes  
**Renewed:** 12-Jan-2022

**Model:** LF007  
**Meters:**  
**Spare Parts Only:** No  
**Bypass:**

---

**Type:** DC  
**Size:** 1/2  
**Manual:** 9  
**Approved:** 25-Feb-2021  
**Shutoffs:** (hhhh),rrrr

**Manufacturer:** Watts  
**Orientation:** H  
**0.25% Pb:** Yes  
**Renewed:**

**Model:** LF007IOTQT  
**Meters:**  
**Spare Parts Only:** No  
**Bypass:**

---

**Type:** DC  
**Size:** 1/2  
**Manual:** 9  
**Approved:** 25-Feb-2021  
**Shutoffs:** (hhhh),rrrr

**Manufacturer:** Watts  
**Orientation:** VU  
**0.25% Pb:** Yes  
**Renewed:**

**Model:** LF007IOTQT  
**Meters:**  
**Spare Parts Only:** No  
**Bypass:**

---

**Type:** DC  
**Size:** 1  
**Manual:** 9  
**Approved:** 25-Feb-2021  
**Shutoffs:** (hhhh),rrrr

**Manufacturer:** Watts  
**Orientation:** H  
**0.25% Pb:** Yes  
**Renewed:**

**Model:** LF007M1IOTQT  
**Meters:**  
**Spare Parts Only:** No  
**Bypass:**

---

**Type:** DC  
**Size:** 1  
**Manual:** 9  
**Approved:** 25-Feb-2021  
**Shutoffs:** (hhhh),rrrr

**Manufacturer:** Watts  
**Orientation:** VU  
**0.25% Pb:** Yes  
**Renewed:**

**Model:** LF007M1IOTQT  
**Meters:**  
**Spare Parts Only:** No  
**Bypass:**

---

**Type:** DC  
**Size:** 2  
**Manual:** 9  
**Approved:** 25-Feb-2021  
**Shutoffs:** (hhhh),rrrr

**Manufacturer:** Watts  
**Orientation:** H  
**0.25% Pb:** Yes  
**Renewed:**

**Model:** LF007M1IOTQT  
**Meters:**  
**Spare Parts Only:** No  
**Bypass:**

---

**Type:** DC  
**Size:** 2  
**Manual:** 9  
**Approved:** 25-Feb-2021  
**Shutoffs:** (hhhh),rrrr

**Manufacturer:** Watts  
**Orientation:** VU  
**0.25% Pb:** Yes  
**Renewed:**

**Model:** LF007M1IOTQT  
**Meters:**  
**Spare Parts Only:** No  
**Bypass:**

<b>Type:</b> DC	<b>Manufacturer:</b> Watts	<b>Model:</b> LF007M1PCQT
<b>Size:</b> 1	<b>Orientation:</b> H	<b>Meters:</b>
<b>Manual:</b> 9	<b>0.25% Pb:</b> Yes	<b>Spare Parts Only:</b> No
<b>Approved:</b> 13-Mar-2015	<b>Renewed:</b> 13-Mar-2021	<b>Bypass:</b>
<b>Shutoffs:</b> (hhhh),rrrr		

---

<b>Type:</b> DC	<b>Manufacturer:</b> Watts	<b>Model:</b> LF007M1PCQT
<b>Size:</b> 1	<b>Orientation:</b> VU	<b>Meters:</b>
<b>Manual:</b> 9	<b>0.25% Pb:</b> Yes	<b>Spare Parts Only:</b> No
<b>Approved:</b> 13-Mar-2015	<b>Renewed:</b> 13-Mar-2021	<b>Bypass:</b>
<b>Shutoffs:</b> (hhhh),rrrr		

---

<b>Type:</b> DC	<b>Manufacturer:</b> Watts	<b>Model:</b> LF007M1PCQT
<b>Size:</b> 2	<b>Orientation:</b> H	<b>Meters:</b>
<b>Manual:</b> 9	<b>0.25% Pb:</b> Yes	<b>Spare Parts Only:</b> No
<b>Approved:</b> 13-Mar-2015	<b>Renewed:</b> 13-Mar-2021	<b>Bypass:</b>
<b>Shutoffs:</b> (hhhh),rrrr		

---

<b>Type:</b> DC	<b>Manufacturer:</b> Watts	<b>Model:</b> LF007M1PCQT
<b>Size:</b> 2	<b>Orientation:</b> VU	<b>Meters:</b>
<b>Manual:</b> 9	<b>0.25% Pb:</b> Yes	<b>Spare Parts Only:</b> No
<b>Approved:</b> 13-Mar-2015	<b>Renewed:</b> 13-Mar-2021	<b>Bypass:</b>
<b>Shutoffs:</b> (hhhh),rrrr		

---

<b>Type:</b> DC	<b>Manufacturer:</b> Watts	<b>Model:</b> LF007M1QT
<b>Size:</b> 1	<b>Orientation:</b> H	<b>Meters:</b>
<b>Manual:</b> 9	<b>0.25% Pb:</b> Yes	<b>Spare Parts Only:</b> No
<b>Approved:</b> 11-Jan-2008	<b>Renewed:</b> 11-Jan-2020	<b>Bypass:</b>
<b>Shutoffs:</b> (hhhh),rrrr		

---

<b>Type:</b> DC	<b>Manufacturer:</b> Watts	<b>Model:</b> LF007M1QT
<b>Size:</b> 1	<b>Orientation:</b> VU	<b>Meters:</b>
<b>Manual:</b> 9	<b>0.25% Pb:</b> Yes	<b>Spare Parts Only:</b> No
<b>Approved:</b> 11-Jan-2008	<b>Renewed:</b> 11-Jan-2020	<b>Bypass:</b>
<b>Shutoffs:</b> (hhhh),rrrr		

---

<b>Type:</b> DC	<b>Manufacturer:</b> Watts	<b>Model:</b> LF007M1QT
<b>Size:</b> 2	<b>Orientation:</b> H	<b>Meters:</b>
<b>Manual:</b> 9	<b>0.25% Pb:</b> Yes	<b>Spare Parts Only:</b> No
<b>Approved:</b> 11-Jan-2008	<b>Renewed:</b> 11-Jan-2020	<b>Bypass:</b>
<b>Shutoffs:</b> (hhhh),rrrr		

**Type:** DC  
**Size:** 2  
**Manual:** 9  
**Approved:** 11-Jan-2008  
**Shutoffs:** (hhhh),rrrr

**Manufacturer:** Watts  
**Orientation:** VU  
**0.25% Pb:** Yes  
**Renewed:** 11-Jan-2020

**Model:** LF007M1QT  
**Meters:**  
**Spare Parts Only:** No  
**Bypass:**

---

**Type:** DC  
**Size:** 1 1/4  
**Manual:** 8  
**Approved:** 11-Jan-2008  
**Shutoffs:** (hhhh),rrrr

**Manufacturer:** Watts  
**Orientation:** H  
**0.25% Pb:** Yes  
**Renewed:** 11-Jan-2020

**Model:** LF007M2QT  
**Meters:**  
**Spare Parts Only:** No  
**Bypass:**

---

**Type:** DC  
**Size:** 1 1/4  
**Manual:** 8  
**Approved:** 11-Jan-2008  
**Shutoffs:** (hhhh),rrrr

**Manufacturer:** Watts  
**Orientation:** VU  
**0.25% Pb:** Yes  
**Renewed:** 11-Jan-2020

**Model:** LF007M2QT  
**Meters:**  
**Spare Parts Only:** No  
**Bypass:**

---

**Type:** DC  
**Size:** 1 1/2  
**Manual:** 8  
**Approved:** 11-Jan-2008  
**Shutoffs:** (hhhh),rrrr

**Manufacturer:** Watts  
**Orientation:** H  
**0.25% Pb:** Yes  
**Renewed:** 11-Jan-2020

**Model:** LF007M2QT  
**Meters:**  
**Spare Parts Only:** No  
**Bypass:**

---

**Type:** DC  
**Size:** 1 1/2  
**Manual:** 8  
**Approved:** 11-Jan-2008  
**Shutoffs:** (hhhh),rrrr

**Manufacturer:** Watts  
**Orientation:** VU  
**0.25% Pb:** Yes  
**Renewed:** 11-Jan-2020

**Model:** LF007M2QT  
**Meters:**  
**Spare Parts Only:** No  
**Bypass:**

---

**Type:** DC  
**Size:** 3/4  
**Manual:** 9  
**Approved:** 25-Feb-2021  
**Shutoffs:** (hhhh),rrrr

**Manufacturer:** Watts  
**Orientation:** H  
**0.25% Pb:** Yes  
**Renewed:**

**Model:** LF007M3IOTQT  
**Meters:**  
**Spare Parts Only:** No  
**Bypass:**

---

**Type:** DC  
**Size:** 3/4  
**Manual:** 9  
**Approved:** 25-Feb-2021  
**Shutoffs:** (hhhh),rrrr

**Manufacturer:** Watts  
**Orientation:** VU  
**0.25% Pb:** Yes  
**Renewed:**

**Model:** LF007M3IOTQT  
**Meters:**  
**Spare Parts Only:** No  
**Bypass:**

<b>Type:</b> DC	<b>Manufacturer:</b> Watts	<b>Model:</b> LF007M3PCQT
<b>Size:</b> 3/4	<b>Orientation:</b> H	<b>Meters:</b>
<b>Manual:</b> 9	<b>0.25% Pb:</b> Yes	<b>Spare Parts Only:</b> No
<b>Approved:</b> 13-Mar-2015	<b>Renewed:</b> 13-Mar-2021	<b>Bypass:</b>
<b>Shutoffs:</b> (hhhh),rrrr		

---

<b>Type:</b> DC	<b>Manufacturer:</b> Watts	<b>Model:</b> LF007M3PCQT
<b>Size:</b> 3/4	<b>Orientation:</b> VU	<b>Meters:</b>
<b>Manual:</b> 9	<b>0.25% Pb:</b> Yes	<b>Spare Parts Only:</b> No
<b>Approved:</b> 13-Mar-2015	<b>Renewed:</b> 13-Mar-2021	<b>Bypass:</b>
<b>Shutoffs:</b> (hhhh),rrrr		

---

<b>Type:</b> DC	<b>Manufacturer:</b> Watts	<b>Model:</b> LF007M3QT
<b>Size:</b> 3/4	<b>Orientation:</b> H	<b>Meters:</b>
<b>Manual:</b> 9	<b>0.25% Pb:</b> Yes	<b>Spare Parts Only:</b> No
<b>Approved:</b> 11-Jan-2008	<b>Renewed:</b> 11-Jan-2020	<b>Bypass:</b>
<b>Shutoffs:</b> (hhhh),rrrr		

---

<b>Type:</b> DC	<b>Manufacturer:</b> Watts	<b>Model:</b> LF007M3QT
<b>Size:</b> 3/4	<b>Orientation:</b> VU	<b>Meters:</b>
<b>Manual:</b> 9	<b>0.25% Pb:</b> Yes	<b>Spare Parts Only:</b> No
<b>Approved:</b> 11-Jan-2008	<b>Renewed:</b> 11-Jan-2020	<b>Bypass:</b>
<b>Shutoffs:</b> (hhhh),rrrr		

---

<b>Type:</b> DC	<b>Manufacturer:</b> Watts	<b>Model:</b> LF007PCQT
<b>Size:</b> 1/2	<b>Orientation:</b> H	<b>Meters:</b>
<b>Manual:</b> 9	<b>0.25% Pb:</b> Yes	<b>Spare Parts Only:</b> No
<b>Approved:</b> 13-Mar-2015	<b>Renewed:</b> 13-Mar-2021	<b>Bypass:</b>
<b>Shutoffs:</b> (hhhh),rrrr		

---

<b>Type:</b> DC	<b>Manufacturer:</b> Watts	<b>Model:</b> LF007PCQT
<b>Size:</b> 1/2	<b>Orientation:</b> VU	<b>Meters:</b>
<b>Manual:</b> 9	<b>0.25% Pb:</b> Yes	<b>Spare Parts Only:</b> No
<b>Approved:</b> 13-Mar-2015	<b>Renewed:</b> 13-Mar-2021	<b>Bypass:</b>
<b>Shutoffs:</b> (hhhh),rrrr		

---

<b>Type:</b> DC	<b>Manufacturer:</b> Watts	<b>Model:</b> LF007QT
<b>Size:</b> 1/2	<b>Orientation:</b> H	<b>Meters:</b>
<b>Manual:</b> 9	<b>0.25% Pb:</b> Yes	<b>Spare Parts Only:</b> No
<b>Approved:</b> 11-Jan-2008	<b>Renewed:</b> 11-Jan-2020	<b>Bypass:</b>
<b>Shutoffs:</b> (hhhh),rrrr		

**Type:** DC                                      **Manufacturer:** Watts                                      **Model:** LF007QT  
**Size:** 1/2                                      **Orientation:** VU                                      **Meters:**  
**Manual:** 9                                      **0.25% Pb:** Yes                                      **Spare Parts Only:** No  
**Approved:** 11-Jan-2008                                      **Renewed:** 11-Jan-2020                                      **Bypass:**  
**Shutoffs:** (hhhh),rrrrr

---

**Type:** DC                                      **Manufacturer:** Watts                                      **Model:** LF709  
**Size:** 2 1/2                                      **Orientation:** H                                      **Meters:**  
**Manual:** 9                                      **0.25% Pb:** Yes                                      **Spare Parts Only:** No  
**Approved:** 12-Jan-2010                                      **Renewed:** 12-Jan-2022                                      **Bypass:**  
**Shutoffs:** (ll),mm,oo,pp,zzz,cccc,dddd,eeee,ffff,gggg,nnnnn

---

**Type:** DC                                      **Manufacturer:** Watts                                      **Model:** LF709  
**Size:** 3                                      **Orientation:** H                                      **Meters:**  
**Manual:** 9                                      **0.25% Pb:** Yes                                      **Spare Parts Only:** No  
**Approved:** 12-Jan-2010                                      **Renewed:** 12-Jan-2022                                      **Bypass:**  
**Shutoffs:** (ll),mm,oo,pp,zzz,cccc,dddd,eeee,ffff,gggg,nnnnn

---

**Type:** DC                                      **Manufacturer:** Watts                                      **Model:** LF709  
**Size:** 4                                      **Orientation:** H                                      **Meters:**  
**Manual:** 9                                      **0.25% Pb:** Yes                                      **Spare Parts Only:** No  
**Approved:** 27-Jul-2012                                      **Renewed:** 27-Jul-2021                                      **Bypass:**  
**Shutoffs:** (ll),mm,oo,pp,zzz,cccc,dddd,eeee,ffff,gggg,nnnnn

---

**Type:** DC                                      **Manufacturer:** Watts                                      **Model:** LF709  
**Size:** 4                                      **Orientation:** VU                                      **Meters:**  
**Manual:** 9                                      **0.25% Pb:** Yes                                      **Spare Parts Only:** No  
**Approved:** 27-Jul-2012                                      **Renewed:** 27-Jul-2021                                      **Bypass:**  
**Shutoffs:** (ll),mm,oo,pp,zzz,cccc,dddd,eeee,ffff,gggg,nnnnn

---

**Type:** DC                                      **Manufacturer:** Watts                                      **Model:** LF709  
**Size:** 6                                      **Orientation:** H                                      **Meters:**  
**Manual:** 9                                      **0.25% Pb:** Yes                                      **Spare Parts Only:** No  
**Approved:** 27-Jul-2012                                      **Renewed:** 27-Jul-2021                                      **Bypass:**  
**Shutoffs:** (ll),mm,oo,pp,zzz,cccc,dddd,eeee,ffff,gggg,nnnnn

---

**Type:** DC                                      **Manufacturer:** Watts                                      **Model:** LF709  
**Size:** 6                                      **Orientation:** VU                                      **Meters:**  
**Manual:** 9                                      **0.25% Pb:** Yes                                      **Spare Parts Only:** No  
**Approved:** 27-Jul-2012                                      **Renewed:** 27-Jul-2021                                      **Bypass:**  
**Shutoffs:** (ll),mm,oo,pp,zzz,cccc,dddd,eeee,ffff,gggg,nnnnn

<b>Type:</b> DC	<b>Manufacturer:</b> Watts	<b>Model:</b> LF709
<b>Size:</b> 8	<b>Orientation:</b> H	<b>Meters:</b>
<b>Manual:</b> 9	<b>0.25% Pb:</b> Yes	<b>Spare Parts Only:</b> No
<b>Approved:</b> 01-Jul-2010	<b>Renewed:</b> 01-Jul-2022	<b>Bypass:</b>
<b>Shutoffs:</b> (ll),mm,oo,pp,zzz,cccc,dddd,eeee,ffff,gggg,nnnnn		

---

<b>Type:</b> DC	<b>Manufacturer:</b> Watts	<b>Model:</b> LF709
<b>Size:</b> 8	<b>Orientation:</b> VU	<b>Meters:</b>
<b>Manual:</b> 9	<b>0.25% Pb:</b> Yes	<b>Spare Parts Only:</b> No
<b>Approved:</b> 01-Jul-2010	<b>Renewed:</b> 01-Jul-2022	<b>Bypass:</b>
<b>Shutoffs:</b> (ll),mm,oo,pp,zzz,cccc,dddd,eeee,ffff,gggg,nnnnn		

---

<b>Type:</b> DC	<b>Manufacturer:</b> Watts	<b>Model:</b> LF709
<b>Size:</b> 10	<b>Orientation:</b> H	<b>Meters:</b>
<b>Manual:</b> 9	<b>0.25% Pb:</b> Yes	<b>Spare Parts Only:</b> No
<b>Approved:</b> 01-Jul-2010	<b>Renewed:</b> 01-Jul-2022	<b>Bypass:</b>
<b>Shutoffs:</b> (ll),mm,oo,pp,zzz,cccc,dddd,eeee,ffff,gggg,nnnnn		

---

<b>Type:</b> DC	<b>Manufacturer:</b> Watts	<b>Model:</b> LF709
<b>Size:</b> 10	<b>Orientation:</b> VU	<b>Meters:</b>
<b>Manual:</b> 9	<b>0.25% Pb:</b> Yes	<b>Spare Parts Only:</b> No
<b>Approved:</b> 01-Jul-2010	<b>Renewed:</b> 01-Jul-2022	<b>Bypass:</b>
<b>Shutoffs:</b> (ll),mm,oo,pp,zzz,cccc,dddd,eeee,ffff,gggg,nnnnn		

---

<b>Type:</b> DC	<b>Manufacturer:</b> Watts	<b>Model:</b> LF719AQT
<b>Size:</b> 1	<b>Orientation:</b> VUVD	<b>Meters:</b>
<b>Manual:</b> 9	<b>0.25% Pb:</b> No	<b>Spare Parts Only:</b> No
<b>Approved:</b> 22-Aug-2005	<b>Renewed:</b> 22-Aug-2020	<b>Bypass:</b>
<b>Shutoffs:</b> (vv),xx,ooo,pppp,rrrrr		

---

<b>Type:</b> DC	<b>Manufacturer:</b> Watts	<b>Model:</b> LF719AQT
<b>Size:</b> 1	<b>Orientation:</b> VUVD	<b>Meters:</b>
<b>Manual:</b> 9	<b>0.25% Pb:</b> Yes	<b>Spare Parts Only:</b> No
<b>Approved:</b> 22-Aug-2005	<b>Renewed:</b> 22-Aug-2020	<b>Bypass:</b>
<b>Shutoffs:</b> hhhh,rrrrr		

---

<b>Type:</b> DC	<b>Manufacturer:</b> Watts	<b>Model:</b> LF719AQT
<b>Size:</b> 1 1/4	<b>Orientation:</b> VUVD	<b>Meters:</b>
<b>Manual:</b> 9	<b>0.25% Pb:</b> No	<b>Spare Parts Only:</b> No
<b>Approved:</b> 22-Aug-2005	<b>Renewed:</b> 22-Aug-2020	<b>Bypass:</b>
<b>Shutoffs:</b> (vv),xx,ooo,pppp,rrrrr		

**Type:** DC  
**Size:** 1 1/4  
**Manual:** 9  
**Approved:** 22-Aug-2005  
**Shutoffs:** hhhh,rrrrr

**Manufacturer:** Watts  
**Orientation:** VUVD  
**0.25% Pb:** Yes  
**Renewed:** 22-Aug-2020

**Model:** LF719AQT  
**Meters:**  
**Spare Parts Only:** No  
**Bypass:**

---

**Type:** DC  
**Size:** 1 1/2  
**Manual:** 9  
**Approved:** 22-Aug-2005  
**Shutoffs:** (vv),xx,ooo,pppp,rrrrr

**Manufacturer:** Watts  
**Orientation:** VUVD  
**0.25% Pb:** No  
**Renewed:** 22-Aug-2020

**Model:** LF719AQT  
**Meters:**  
**Spare Parts Only:** No  
**Bypass:**

---

**Type:** DC  
**Size:** 1 1/2  
**Manual:** 9  
**Approved:** 22-Aug-2005  
**Shutoffs:** hhhh,rrrrr

**Manufacturer:** Watts  
**Orientation:** VUVD  
**0.25% Pb:** Yes  
**Renewed:** 22-Aug-2020

**Model:** LF719AQT  
**Meters:**  
**Spare Parts Only:** No  
**Bypass:**

---

**Type:** DC  
**Size:** 2  
**Manual:** 9  
**Approved:** 22-Aug-2005  
**Shutoffs:** (vv),xx,ooo,pppp,rrrrr

**Manufacturer:** Watts  
**Orientation:** VUVD  
**0.25% Pb:** No  
**Renewed:** 22-Aug-2020

**Model:** LF719AQT  
**Meters:**  
**Spare Parts Only:** No  
**Bypass:**

---

**Type:** DC  
**Size:** 2  
**Manual:** 9  
**Approved:** 22-Aug-2005  
**Shutoffs:** hhhh,rrrrr

**Manufacturer:** Watts  
**Orientation:** VUVD  
**0.25% Pb:** Yes  
**Renewed:** 22-Aug-2020

**Model:** LF719AQT  
**Meters:**  
**Spare Parts Only:** No  
**Bypass:**

---

**Type:** DC  
**Size:** 1/2  
**Manual:** 9  
**Approved:** 03-Jul-2013  
**Shutoffs:** (hhhh)

**Manufacturer:** Watts  
**Orientation:** H  
**0.25% Pb:** Yes  
**Renewed:** 03-Jul-2022

**Model:** LF719QT  
**Meters:**  
**Spare Parts Only:** No  
**Bypass:**

---

**Type:** DC  
**Size:** 1/2  
**Manual:** 9  
**Approved:** 03-Jul-2013  
**Shutoffs:** (hhhh)

**Manufacturer:** Watts  
**Orientation:** VD  
**0.25% Pb:** Yes  
**Renewed:** 03-Jul-2022

**Model:** LF719QT  
**Meters:**  
**Spare Parts Only:** No  
**Bypass:**



**Type:** DC  
**Size:** 1/2  
**Manual:** 9  
**Approved:** 03-Jul-2013  
**Shutoffs:** (hhhh)

**Manufacturer:** Watts  
**Orientation:** VU  
**0.25% Pb:** Yes  
**Renewed:** 03-Jul-2022

**Model:** LF719QT  
**Meters:**  
**Spare Parts Only:** No  
**Bypass:**

---

**Type:** DC  
**Size:** 3/4  
**Manual:** 9  
**Approved:** 03-Jul-2013  
**Shutoffs:** (hhhh)

**Manufacturer:** Watts  
**Orientation:** H  
**0.25% Pb:** Yes  
**Renewed:** 03-Jul-2022

**Model:** LF719QT  
**Meters:**  
**Spare Parts Only:** No  
**Bypass:**

---

**Type:** DC  
**Size:** 3/4  
**Manual:** 9  
**Approved:** 03-Jul-2013  
**Shutoffs:** (hhhh)

**Manufacturer:** Watts  
**Orientation:** VD  
**0.25% Pb:** Yes  
**Renewed:** 03-Jul-2022

**Model:** LF719QT  
**Meters:**  
**Spare Parts Only:** No  
**Bypass:**

---

**Type:** DC  
**Size:** 3/4  
**Manual:** 9  
**Approved:** 03-Jul-2013  
**Shutoffs:** (hhhh)

**Manufacturer:** Watts  
**Orientation:** VU  
**0.25% Pb:** Yes  
**Renewed:** 03-Jul-2022

**Model:** LF719QT  
**Meters:**  
**Spare Parts Only:** No  
**Bypass:**

---

**Type:** DC  
**Size:** 1  
**Manual:** 9  
**Approved:** 22-Aug-2005  
**Shutoffs:** (vv),xx,ooo,pppp,rrrrr

**Manufacturer:** Watts  
**Orientation:** H  
**0.25% Pb:** No  
**Renewed:** 22-Aug-2020

**Model:** LF719QT  
**Meters:**  
**Spare Parts Only:** No  
**Bypass:**

---

**Type:** DC  
**Size:** 1  
**Manual:** 9  
**Approved:** 22-Aug-2005  
**Shutoffs:** hhhh,rrrrr

**Manufacturer:** Watts  
**Orientation:** H  
**0.25% Pb:** Yes  
**Renewed:** 22-Aug-2020

**Model:** LF719QT  
**Meters:**  
**Spare Parts Only:** No  
**Bypass:**

---

**Type:** DC  
**Size:** 1  
**Manual:** 9  
**Approved:** 22-Aug-2005  
**Shutoffs:** (vv),xx,ooo,pppp,rrrrr

**Manufacturer:** Watts  
**Orientation:** VD  
**0.25% Pb:** No  
**Renewed:** 22-Aug-2020

**Model:** LF719QT  
**Meters:**  
**Spare Parts Only:** No  
**Bypass:**

**Type:** DC  
**Size:** 1  
**Manual:** 9  
**Approved:** 22-Aug-2005  
**Shutoffs:** hhhh,rrrrr

**Manufacturer:** Watts  
**Orientation:** VD  
**0.25% Pb:** Yes  
**Renewed:** 22-Aug-2020

**Model:** LF719QT  
**Meters:**  
**Spare Parts Only:** No  
**Bypass:**

---

**Type:** DC  
**Size:** 1  
**Manual:** 9  
**Approved:** 22-Aug-2005  
**Shutoffs:** (vv),xx,ooo,pppp,rrrrr

**Manufacturer:** Watts  
**Orientation:** VU  
**0.25% Pb:** No  
**Renewed:** 22-Aug-2020

**Model:** LF719QT  
**Meters:**  
**Spare Parts Only:** No  
**Bypass:**

---

**Type:** DC  
**Size:** 1  
**Manual:** 9  
**Approved:** 22-Aug-2005  
**Shutoffs:** hhhh,rrrrr

**Manufacturer:** Watts  
**Orientation:** VU  
**0.25% Pb:** Yes  
**Renewed:** 22-Aug-2020

**Model:** LF719QT  
**Meters:**  
**Spare Parts Only:** No  
**Bypass:**

---

**Type:** DC  
**Size:** 1 1/4  
**Manual:** 9  
**Approved:** 22-Aug-2005  
**Shutoffs:** (vv),xx,ooo,pppp,rrrrr

**Manufacturer:** Watts  
**Orientation:** H  
**0.25% Pb:** No  
**Renewed:** 22-Aug-2020

**Model:** LF719QT  
**Meters:**  
**Spare Parts Only:** No  
**Bypass:**

---

**Type:** DC  
**Size:** 1 1/4  
**Manual:** 9  
**Approved:** 22-Aug-2005  
**Shutoffs:** hhhh,rrrrr

**Manufacturer:** Watts  
**Orientation:** H  
**0.25% Pb:** Yes  
**Renewed:** 22-Aug-2020

**Model:** LF719QT  
**Meters:**  
**Spare Parts Only:** No  
**Bypass:**

---

**Type:** DC  
**Size:** 1 1/4  
**Manual:** 9  
**Approved:** 22-Aug-2005  
**Shutoffs:** (vv),xx,ooo,pppp,rrrrr

**Manufacturer:** Watts  
**Orientation:** VD  
**0.25% Pb:** No  
**Renewed:** 22-Aug-2020

**Model:** LF719QT  
**Meters:**  
**Spare Parts Only:** No  
**Bypass:**

---

**Type:** DC  
**Size:** 1 1/4  
**Manual:** 9  
**Approved:** 22-Aug-2005  
**Shutoffs:** hhhh,rrrrr

**Manufacturer:** Watts  
**Orientation:** VD  
**0.25% Pb:** Yes  
**Renewed:** 22-Aug-2020

**Model:** LF719QT  
**Meters:**  
**Spare Parts Only:** No  
**Bypass:**

**Type:** DC  
**Size:** 1 1/4  
**Manual:** 9  
**Approved:** 22-Aug-2005  
**Shutoffs:** (vv),xx,ooo,pppp,rrrrr

**Manufacturer:** Watts  
**Orientation:** VU  
**0.25% Pb:** No  
**Renewed:** 22-Aug-2020

**Model:** LF719QT  
**Meters:**  
**Spare Parts Only:** No  
**Bypass:**

---

**Type:** DC  
**Size:** 1 1/4  
**Manual:** 9  
**Approved:** 22-Aug-2005  
**Shutoffs:** hhhh,rrrrr

**Manufacturer:** Watts  
**Orientation:** VU  
**0.25% Pb:** Yes  
**Renewed:** 22-Aug-2020

**Model:** LF719QT  
**Meters:**  
**Spare Parts Only:** No  
**Bypass:**

---

**Type:** DC  
**Size:** 1 1/2  
**Manual:** 9  
**Approved:** 22-Aug-2005  
**Shutoffs:** (vv),xx,ooo,pppp,rrrrr

**Manufacturer:** Watts  
**Orientation:** H  
**0.25% Pb:** No  
**Renewed:** 22-Aug-2020

**Model:** LF719QT  
**Meters:**  
**Spare Parts Only:** No  
**Bypass:**

---

**Type:** DC  
**Size:** 1 1/2  
**Manual:** 9  
**Approved:** 22-Aug-2005  
**Shutoffs:** hhhh,rrrrr

**Manufacturer:** Watts  
**Orientation:** H  
**0.25% Pb:** Yes  
**Renewed:** 22-Aug-2020

**Model:** LF719QT  
**Meters:**  
**Spare Parts Only:** No  
**Bypass:**

---

**Type:** DC  
**Size:** 1 1/2  
**Manual:** 9  
**Approved:** 22-Aug-2005  
**Shutoffs:** (vv),xx,ooo,pppp,rrrrr

**Manufacturer:** Watts  
**Orientation:** VD  
**0.25% Pb:** No  
**Renewed:** 22-Aug-2020

**Model:** LF719QT  
**Meters:**  
**Spare Parts Only:** No  
**Bypass:**

---

**Type:** DC  
**Size:** 1 1/2  
**Manual:** 9  
**Approved:** 22-Aug-2005  
**Shutoffs:** hhhh,rrrrr

**Manufacturer:** Watts  
**Orientation:** VD  
**0.25% Pb:** Yes  
**Renewed:** 22-Aug-2020

**Model:** LF719QT  
**Meters:**  
**Spare Parts Only:** No  
**Bypass:**

---

**Type:** DC  
**Size:** 1 1/2  
**Manual:** 9  
**Approved:** 22-Aug-2005  
**Shutoffs:** (vv),xx,ooo,pppp,rrrrr

**Manufacturer:** Watts  
**Orientation:** VU  
**0.25% Pb:** No  
**Renewed:** 22-Aug-2020

**Model:** LF719QT  
**Meters:**  
**Spare Parts Only:** No  
**Bypass:**

**Type:** DC  
**Size:** 1 1/2  
**Manual:** 9  
**Approved:** 22-Aug-2005  
**Shutoffs:** hhhh,rrrrr

**Manufacturer:** Watts  
**Orientation:** VU  
**0.25% Pb:** Yes  
**Renewed:** 22-Aug-2020

**Model:** LF719QT  
**Meters:**  
**Spare Parts Only:** No  
**Bypass:**

---

**Type:** DC  
**Size:** 2  
**Manual:** 9  
**Approved:** 22-Aug-2005  
**Shutoffs:** (vv),xx,ooo,pppp,rrrrr

**Manufacturer:** Watts  
**Orientation:** H  
**0.25% Pb:** No  
**Renewed:** 22-Aug-2020

**Model:** LF719QT  
**Meters:**  
**Spare Parts Only:** No  
**Bypass:**

---

**Type:** DC  
**Size:** 2  
**Manual:** 9  
**Approved:** 22-Aug-2005  
**Shutoffs:** hhhh,rrrrr

**Manufacturer:** Watts  
**Orientation:** H  
**0.25% Pb:** Yes  
**Renewed:** 22-Aug-2020

**Model:** LF719QT  
**Meters:**  
**Spare Parts Only:** No  
**Bypass:**

---

**Type:** DC  
**Size:** 2  
**Manual:** 9  
**Approved:** 22-Aug-2005  
**Shutoffs:** (vv),xx,ooo,pppp,rrrrr

**Manufacturer:** Watts  
**Orientation:** VD  
**0.25% Pb:** No  
**Renewed:** 22-Aug-2020

**Model:** LF719QT  
**Meters:**  
**Spare Parts Only:** No  
**Bypass:**

---

**Type:** DC  
**Size:** 2  
**Manual:** 9  
**Approved:** 22-Aug-2005  
**Shutoffs:** hhhh,rrrrr

**Manufacturer:** Watts  
**Orientation:** VD  
**0.25% Pb:** Yes  
**Renewed:** 22-Aug-2020

**Model:** LF719QT  
**Meters:**  
**Spare Parts Only:** No  
**Bypass:**

---

**Type:** DC  
**Size:** 2  
**Manual:** 9  
**Approved:** 22-Aug-2005  
**Shutoffs:** (vv),xx,ooo,pppp,rrrrr

**Manufacturer:** Watts  
**Orientation:** VU  
**0.25% Pb:** No  
**Renewed:** 22-Aug-2020

**Model:** LF719QT  
**Meters:**  
**Spare Parts Only:** No  
**Bypass:**

---

**Type:** DC  
**Size:** 2  
**Manual:** 9  
**Approved:** 22-Aug-2005  
**Shutoffs:** hhhh,rrrrr

**Manufacturer:** Watts  
**Orientation:** VU  
**0.25% Pb:** Yes  
**Renewed:** 22-Aug-2020

**Model:** LF719QT  
**Meters:**  
**Spare Parts Only:** No  
**Bypass:**

**Type:** DC  
**Size:** 1/2  
**Manual:** 9  
**Approved:** 22-Aug-2005  
**Shutoffs:** (vv),xx,ooo,hhhh,pppp,rrrr

**Manufacturer:** Watts  
**Orientation:** H  
**0.25% Pb:** No  
**Renewed:** 22-Aug-2020

**Model:** LF719QTR10  
**Meters:**  
**Spare Parts Only:** Yes  
**Bypass:**

---

**Type:** DC  
**Size:** 1/2  
**Manual:** 9  
**Approved:** 22-Aug-2005  
**Shutoffs:** (vv),xx,ooo,hhhh,pppp,rrrr

**Manufacturer:** Watts  
**Orientation:** VD  
**0.25% Pb:** No  
**Renewed:** 22-Aug-2020

**Model:** LF719QTR10  
**Meters:**  
**Spare Parts Only:** Yes  
**Bypass:**

---

**Type:** DC  
**Size:** 1/2  
**Manual:** 9  
**Approved:** 22-Aug-2005  
**Shutoffs:** (vv),xx,ooo,hhhh,pppp,rrrr

**Manufacturer:** Watts  
**Orientation:** VU  
**0.25% Pb:** No  
**Renewed:** 22-Aug-2020

**Model:** LF719QTR10  
**Meters:**  
**Spare Parts Only:** Yes  
**Bypass:**

---

**Type:** DC  
**Size:** 3/4  
**Manual:** 9  
**Approved:** 22-Aug-2005  
**Shutoffs:** (vv),xx,ooo,hhhh,pppp,rrrr

**Manufacturer:** Watts  
**Orientation:** H  
**0.25% Pb:** No  
**Renewed:** 22-Aug-2020

**Model:** LF719QTR10  
**Meters:**  
**Spare Parts Only:** Yes  
**Bypass:**

---

**Type:** DC  
**Size:** 3/4  
**Manual:** 9  
**Approved:** 22-Aug-2005  
**Shutoffs:** (vv),xx,ooo,hhhh,pppp,rrrr

**Manufacturer:** Watts  
**Orientation:** VD  
**0.25% Pb:** No  
**Renewed:** 22-Aug-2020

**Model:** LF719QTR10  
**Meters:**  
**Spare Parts Only:** Yes  
**Bypass:**

---

**Type:** DC  
**Size:** 3/4  
**Manual:** 9  
**Approved:** 22-Aug-2005  
**Shutoffs:** (vv),xx,ooo,hhhh,pppp,rrrr

**Manufacturer:** Watts  
**Orientation:** VU  
**0.25% Pb:** No  
**Renewed:** 22-Aug-2020

**Model:** LF719QTR10  
**Meters:**  
**Spare Parts Only:** Yes  
**Bypass:**

---

**Type:** DC  
**Size:** 1  
**Manual:** 9  
**Approved:** 22-Aug-2005  
**Shutoffs:** (vv),xx,ooo,pppp

**Manufacturer:** Watts  
**Orientation:** H  
**0.25% Pb:** No  
**Renewed:** 22-Aug-2020

**Model:** LFU719QT  
**Meters:**  
**Spare Parts Only:** No  
**Bypass:**

**Type:** DC  
**Size:** 1  
**Manual:** 9  
**Approved:** 22-Aug-2005  
**Shutoffs:** hhhh

**Manufacturer:** Watts  
**Orientation:** H  
**0.25% Pb:** Yes  
**Renewed:** 22-Aug-2020

**Model:** LFU719QT  
**Meters:**  
**Spare Parts Only:** No  
**Bypass:**

---

**Type:** DC  
**Size:** 1  
**Manual:** 9  
**Approved:** 22-Aug-2005  
**Shutoffs:** (vv),xx,ooo,pppp

**Manufacturer:** Watts  
**Orientation:** VD  
**0.25% Pb:** No  
**Renewed:** 22-Aug-2020

**Model:** LFU719QT  
**Meters:**  
**Spare Parts Only:** No  
**Bypass:**

---

**Type:** DC  
**Size:** 1  
**Manual:** 9  
**Approved:** 22-Aug-2005  
**Shutoffs:** hhhh

**Manufacturer:** Watts  
**Orientation:** VD  
**0.25% Pb:** Yes  
**Renewed:** 22-Aug-2020

**Model:** LFU719QT  
**Meters:**  
**Spare Parts Only:** No  
**Bypass:**

---

**Type:** DC  
**Size:** 1  
**Manual:** 9  
**Approved:** 22-Aug-2005  
**Shutoffs:** (vv),xx,ooo,pppp

**Manufacturer:** Watts  
**Orientation:** VU  
**0.25% Pb:** No  
**Renewed:** 22-Aug-2020

**Model:** LFU719QT  
**Meters:**  
**Spare Parts Only:** No  
**Bypass:**

---

**Type:** DC  
**Size:** 1  
**Manual:** 9  
**Approved:** 22-Aug-2005  
**Shutoffs:** hhhh

**Manufacturer:** Watts  
**Orientation:** VU  
**0.25% Pb:** Yes  
**Renewed:** 22-Aug-2020

**Model:** LFU719QT  
**Meters:**  
**Spare Parts Only:** No  
**Bypass:**

---

**Type:** DC  
**Size:** 1 1/4  
**Manual:** 9  
**Approved:** 22-Aug-2005  
**Shutoffs:** (vv),xx,ooo,pppp

**Manufacturer:** Watts  
**Orientation:** H  
**0.25% Pb:** No  
**Renewed:** 22-Aug-2020

**Model:** LFU719QT  
**Meters:**  
**Spare Parts Only:** No  
**Bypass:**

---

**Type:** DC  
**Size:** 1 1/4  
**Manual:** 9  
**Approved:** 22-Aug-2005  
**Shutoffs:** hhhh

**Manufacturer:** Watts  
**Orientation:** H  
**0.25% Pb:** Yes  
**Renewed:** 22-Aug-2020

**Model:** LFU719QT  
**Meters:**  
**Spare Parts Only:** No  
**Bypass:**

**Type:** DC  
**Size:** 1 1/4  
**Manual:** 9  
**Approved:** 22-Aug-2005  
**Shutoffs:** (vv),xx,ooo,pppp

**Manufacturer:** Watts  
**Orientation:** VD  
**0.25% Pb:** No  
**Renewed:** 22-Aug-2020

**Model:** LFU719QT  
**Meters:**  
**Spare Parts Only:** No  
**Bypass:**

---

**Type:** DC  
**Size:** 1 1/4  
**Manual:** 9  
**Approved:** 22-Aug-2005  
**Shutoffs:** hhhh

**Manufacturer:** Watts  
**Orientation:** VD  
**0.25% Pb:** Yes  
**Renewed:** 22-Aug-2020

**Model:** LFU719QT  
**Meters:**  
**Spare Parts Only:** No  
**Bypass:**

---

**Type:** DC  
**Size:** 1 1/4  
**Manual:** 9  
**Approved:** 22-Aug-2005  
**Shutoffs:** (vv),xx,ooo,pppp

**Manufacturer:** Watts  
**Orientation:** VU  
**0.25% Pb:** No  
**Renewed:** 22-Aug-2020

**Model:** LFU719QT  
**Meters:**  
**Spare Parts Only:** No  
**Bypass:**

---

**Type:** DC  
**Size:** 1 1/4  
**Manual:** 9  
**Approved:** 22-Aug-2005  
**Shutoffs:** hhhh

**Manufacturer:** Watts  
**Orientation:** VU  
**0.25% Pb:** Yes  
**Renewed:** 22-Aug-2020

**Model:** LFU719QT  
**Meters:**  
**Spare Parts Only:** No  
**Bypass:**

---

**Type:** DC  
**Size:** 1 1/2  
**Manual:** 9  
**Approved:** 22-Aug-2005  
**Shutoffs:** (vv),xx,ooo,pppp

**Manufacturer:** Watts  
**Orientation:** H  
**0.25% Pb:** No  
**Renewed:** 22-Aug-2020

**Model:** LFU719QT  
**Meters:**  
**Spare Parts Only:** No  
**Bypass:**

---

**Type:** DC  
**Size:** 1 1/2  
**Manual:** 9  
**Approved:** 22-Aug-2005  
**Shutoffs:** hhhh

**Manufacturer:** Watts  
**Orientation:** H  
**0.25% Pb:** Yes  
**Renewed:** 22-Aug-2020

**Model:** LFU719QT  
**Meters:**  
**Spare Parts Only:** No  
**Bypass:**

---

**Type:** DC  
**Size:** 1 1/2  
**Manual:** 9  
**Approved:** 22-Aug-2005  
**Shutoffs:** (vv),xx,ooo,pppp

**Manufacturer:** Watts  
**Orientation:** VD  
**0.25% Pb:** No  
**Renewed:** 22-Aug-2020

**Model:** LFU719QT  
**Meters:**  
**Spare Parts Only:** No  
**Bypass:**

**Type:** DC  
**Size:** 1 1/2  
**Manual:** 9  
**Approved:** 22-Aug-2005  
**Shutoffs:** hhhh

**Manufacturer:** Watts  
**Orientation:** VD  
**0.25% Pb:** Yes  
**Renewed:** 22-Aug-2020

**Model:** LFU719QT  
**Meters:**  
**Spare Parts Only:** No  
**Bypass:**

---

**Type:** DC  
**Size:** 1 1/2  
**Manual:** 9  
**Approved:** 22-Aug-2005  
**Shutoffs:** (vv),xx,ooo,pppp

**Manufacturer:** Watts  
**Orientation:** VU  
**0.25% Pb:** No  
**Renewed:** 22-Aug-2020

**Model:** LFU719QT  
**Meters:**  
**Spare Parts Only:** No  
**Bypass:**

---

**Type:** DC  
**Size:** 1 1/2  
**Manual:** 9  
**Approved:** 22-Aug-2005  
**Shutoffs:** hhhh

**Manufacturer:** Watts  
**Orientation:** VU  
**0.25% Pb:** Yes  
**Renewed:** 22-Aug-2020

**Model:** LFU719QT  
**Meters:**  
**Spare Parts Only:** No  
**Bypass:**

---

**Type:** DC  
**Size:** 2  
**Manual:** 9  
**Approved:** 22-Aug-2005  
**Shutoffs:** (vv),xx,ooo,pppp

**Manufacturer:** Watts  
**Orientation:** H  
**0.25% Pb:** No  
**Renewed:** 22-Aug-2020

**Model:** LFU719QT  
**Meters:**  
**Spare Parts Only:** No  
**Bypass:**

---

**Type:** DC  
**Size:** 2  
**Manual:** 9  
**Approved:** 22-Aug-2005  
**Shutoffs:** hhhh

**Manufacturer:** Watts  
**Orientation:** H  
**0.25% Pb:** Yes  
**Renewed:** 22-Aug-2020

**Model:** LFU719QT  
**Meters:**  
**Spare Parts Only:** No  
**Bypass:**

---

**Type:** DC  
**Size:** 2  
**Manual:** 9  
**Approved:** 22-Aug-2005  
**Shutoffs:** (vv),xx,ooo,pppp

**Manufacturer:** Watts  
**Orientation:** VD  
**0.25% Pb:** No  
**Renewed:** 22-Aug-2020

**Model:** LFU719QT  
**Meters:**  
**Spare Parts Only:** No  
**Bypass:**

---

**Type:** DC  
**Size:** 2  
**Manual:** 9  
**Approved:** 22-Aug-2005  
**Shutoffs:** hhhh

**Manufacturer:** Watts  
**Orientation:** VD  
**0.25% Pb:** Yes  
**Renewed:** 22-Aug-2020

**Model:** LFU719QT  
**Meters:**  
**Spare Parts Only:** No  
**Bypass:**



**Type:** DC  
**Size:** 2  
**Manual:** 9  
**Approved:** 22-Aug-2005  
**Shutoffs:** (vv),xx,ooo,pppp

**Manufacturer:** Watts  
**Orientation:** VU  
**0.25% Pb:** No  
**Renewed:** 22-Aug-2020

**Model:** LFU719QT  
**Meters:**  
**Spare Parts Only:** No  
**Bypass:**

---

**Type:** DC  
**Size:** 2  
**Manual:** 9  
**Approved:** 22-Aug-2005  
**Shutoffs:** hhhh

**Manufacturer:** Watts  
**Orientation:** VU  
**0.25% Pb:** Yes  
**Renewed:** 22-Aug-2020

**Model:** LFU719QT  
**Meters:**  
**Spare Parts Only:** No  
**Bypass:**

---

**Type:** DC  
**Size:** 2 1/2  
**Manual:** 10  
**Approved:** 15-May-2020  
**Shutoffs:** (int)

**Manufacturer:** Watts  
**Orientation:** H  
**0.25% Pb:** Yes  
**Renewed:**

**Model:** Magnum 20  
**Meters:**  
**Spare Parts Only:** No  
**Bypass:**

---

**Type:** DC  
**Size:** 2 1/2  
**Manual:** 10  
**Approved:** 15-May-2020  
**Shutoffs:** (int)

**Manufacturer:** Watts  
**Orientation:** VU  
**0.25% Pb:** Yes  
**Renewed:**

**Model:** Magnum 20  
**Meters:**  
**Spare Parts Only:** No  
**Bypass:**

---

**Type:** DC  
**Size:** 3  
**Manual:** 10  
**Approved:** 15-May-2020  
**Shutoffs:** (int)

**Manufacturer:** Watts  
**Orientation:** H  
**0.25% Pb:** Yes  
**Renewed:**

**Model:** Magnum 20  
**Meters:**  
**Spare Parts Only:** No  
**Bypass:**

---

**Type:** DC  
**Size:** 3  
**Manual:** 10  
**Approved:** 15-May-2020  
**Shutoffs:** (int)

**Manufacturer:** Watts  
**Orientation:** VU  
**0.25% Pb:** Yes  
**Renewed:**

**Model:** Magnum 20  
**Meters:**  
**Spare Parts Only:** No  
**Bypass:**

---

**Type:** DC  
**Size:** 4  
**Manual:** 10  
**Approved:** 15-May-2020  
**Shutoffs:** (int)

**Manufacturer:** Watts  
**Orientation:** H  
**0.25% Pb:** Yes  
**Renewed:**

**Model:** Magnum 20  
**Meters:**  
**Spare Parts Only:** No  
**Bypass:**

**Type:** DC  
**Size:** 4  
**Manual:** 10  
**Approved:** 15-May-2020  
**Shutoffs:** (int)

**Manufacturer:** Watts  
**Orientation:** VU  
**0.25% Pb:** Yes  
**Renewed:**

**Model:** Magnum 20  
**Meters:**  
**Spare Parts Only:** No  
**Bypass:**

---

**Type:** DC  
**Size:** 6  
**Manual:** 10  
**Approved:** 03-Aug-2020  
**Shutoffs:** (int)

**Manufacturer:** Watts  
**Orientation:** H  
**0.25% Pb:** Yes  
**Renewed:**

**Model:** Magnum 20  
**Meters:**  
**Spare Parts Only:** No  
**Bypass:**

---

**Type:** DC  
**Size:** 6  
**Manual:** 10  
**Approved:** 03-Aug-2020  
**Shutoffs:** (int)

**Manufacturer:** Watts  
**Orientation:** VU  
**0.25% Pb:** Yes  
**Renewed:**

**Model:** Magnum 20  
**Meters:**  
**Spare Parts Only:** No  
**Bypass:**

---

**Type:** DC  
**Size:** 8  
**Manual:** 10  
**Approved:** 15-May-2020  
**Shutoffs:** (int)

**Manufacturer:** Watts  
**Orientation:** H  
**0.25% Pb:** Yes  
**Renewed:**

**Model:** Magnum 20  
**Meters:**  
**Spare Parts Only:** No  
**Bypass:**

---

**Type:** DC  
**Size:** 8  
**Manual:** 10  
**Approved:** 15-May-2020  
**Shutoffs:** (int)

**Manufacturer:** Watts  
**Orientation:** VU  
**0.25% Pb:** Yes  
**Renewed:**

**Model:** Magnum 20  
**Meters:**  
**Spare Parts Only:** No  
**Bypass:**

---

**Type:** DC  
**Size:** 2 1/2  
**Manual:** 10  
**Approved:** 15-May-2020  
**Shutoffs:** (qqqqqq), rrrrrr

**Manufacturer:** Watts  
**Orientation:** H  
**0.25% Pb:** Yes  
**Renewed:**

**Model:** Magnum 20G  
**Meters:**  
**Spare Parts Only:** No  
**Bypass:**

---

**Type:** DC  
**Size:** 2 1/2  
**Manual:** 10  
**Approved:** 15-May-2020  
**Shutoffs:** (qqqqqq), rrrrrr

**Manufacturer:** Watts  
**Orientation:** VU  
**0.25% Pb:** Yes  
**Renewed:**

**Model:** Magnum 20G  
**Meters:**  
**Spare Parts Only:** No  
**Bypass:**

**Type:** DC  
**Size:** 3  
**Manual:** 10  
**Approved:** 15-May-2020  
**Shutoffs:** (qqqqqq), rrrrrr

**Manufacturer:** Watts  
**Orientation:** H  
**0.25% Pb:** Yes  
**Renewed:**

**Model:** Magnum 20G  
**Meters:**  
**Spare Parts Only:** No  
**Bypass:**

---

**Type:** DC  
**Size:** 3  
**Manual:** 10  
**Approved:** 15-May-2020  
**Shutoffs:** (qqqqqq), rrrrrr

**Manufacturer:** Watts  
**Orientation:** VU  
**0.25% Pb:** Yes  
**Renewed:**

**Model:** Magnum 20G  
**Meters:**  
**Spare Parts Only:** No  
**Bypass:**

---

**Type:** DC  
**Size:** 4  
**Manual:** 10  
**Approved:** 15-May-2020  
**Shutoffs:** (qqqqqq), rrrrrr

**Manufacturer:** Watts  
**Orientation:** H  
**0.25% Pb:** Yes  
**Renewed:**

**Model:** Magnum 20G  
**Meters:**  
**Spare Parts Only:** No  
**Bypass:**

---

**Type:** DC  
**Size:** 4  
**Manual:** 10  
**Approved:** 15-May-2020  
**Shutoffs:** (qqqqqq), rrrrrr

**Manufacturer:** Watts  
**Orientation:** VU  
**0.25% Pb:** Yes  
**Renewed:**

**Model:** Magnum 20G  
**Meters:**  
**Spare Parts Only:** No  
**Bypass:**

---

**Type:** DC  
**Size:** 6  
**Manual:** 10  
**Approved:** 15-May-2020  
**Shutoffs:** (qqqqqq), rrrrrr

**Manufacturer:** Watts  
**Orientation:** H  
**0.25% Pb:** Yes  
**Renewed:**

**Model:** Magnum 20G  
**Meters:**  
**Spare Parts Only:** No  
**Bypass:**

---

**Type:** DC  
**Size:** 6  
**Manual:** 10  
**Approved:** 15-May-2020  
**Shutoffs:** (qqqqqq), rrrrrr

**Manufacturer:** Watts  
**Orientation:** VU  
**0.25% Pb:** Yes  
**Renewed:**

**Model:** Magnum 20G  
**Meters:**  
**Spare Parts Only:** No  
**Bypass:**

---

**Type:** DC  
**Size:** 8  
**Manual:** 10  
**Approved:** 15-May-2020  
**Shutoffs:** (qqqqqq), rrrrrr

**Manufacturer:** Watts  
**Orientation:** H  
**0.25% Pb:** Yes  
**Renewed:**

**Model:** Magnum 20G  
**Meters:**  
**Spare Parts Only:** No  
**Bypass:**

<b>Type:</b> DC	<b>Manufacturer:</b> Watts	<b>Model:</b> Magnum 20G
<b>Size:</b> 8	<b>Orientation:</b> VU	<b>Meters:</b>
<b>Manual:</b> 10	<b>0.25% Pb:</b> Yes	<b>Spare Parts Only:</b> No
<b>Approved:</b> 15-May-2020	<b>Renewed:</b>	<b>Bypass:</b>
<b>Shutoffs:</b> (qqqqqq), rrrrrr		

---

<b>Type:</b> DC	<b>Manufacturer:</b> Watts	<b>Model:</b> SS007M1QT
<b>Size:</b> 1	<b>Orientation:</b> H	<b>Meters:</b>
<b>Manual:</b> 9	<b>0.25% Pb:</b> Yes	<b>Spare Parts Only:</b> No
<b>Approved:</b> 18-May-1998	<b>Renewed:</b> 18-May-2022	<b>Bypass:</b>
<b>Shutoffs:</b> (hhh)		

---

<b>Type:</b> DC	<b>Manufacturer:</b> Watts	<b>Model:</b> SS007M1QT
<b>Size:</b> 1	<b>Orientation:</b> VU	<b>Meters:</b>
<b>Manual:</b> 9	<b>0.25% Pb:</b> Yes	<b>Spare Parts Only:</b> No
<b>Approved:</b> 18-May-1998	<b>Renewed:</b> 18-May-2022	<b>Bypass:</b>
<b>Shutoffs:</b> (hhh)		

---

<b>Type:</b> DC	<b>Manufacturer:</b> Watts	<b>Model:</b> SS007M3QT
<b>Size:</b> 1/2	<b>Orientation:</b> H	<b>Meters:</b>
<b>Manual:</b> 9	<b>0.25% Pb:</b> Yes	<b>Spare Parts Only:</b> No
<b>Approved:</b> 11-Sep-2000	<b>Renewed:</b> 11-Sep-2021	<b>Bypass:</b>
<b>Shutoffs:</b> (hhh)		

---

<b>Type:</b> DC	<b>Manufacturer:</b> Watts	<b>Model:</b> SS007M3QT
<b>Size:</b> 1/2	<b>Orientation:</b> VU	<b>Meters:</b>
<b>Manual:</b> 9	<b>0.25% Pb:</b> Yes	<b>Spare Parts Only:</b> No
<b>Approved:</b> 11-Sep-2000	<b>Renewed:</b> 11-Sep-2021	<b>Bypass:</b>
<b>Shutoffs:</b> (hhh)		

---

<b>Type:</b> DC	<b>Manufacturer:</b> Watts	<b>Model:</b> SS007M3QT
<b>Size:</b> 3/4	<b>Orientation:</b> H	<b>Meters:</b>
<b>Manual:</b> 9	<b>0.25% Pb:</b> Yes	<b>Spare Parts Only:</b> No
<b>Approved:</b> 07-Sep-2000	<b>Renewed:</b> 07-Sep-2021	<b>Bypass:</b>
<b>Shutoffs:</b> (hhh)		

---

<b>Type:</b> DC	<b>Manufacturer:</b> Watts	<b>Model:</b> SS007M3QT
<b>Size:</b> 3/4	<b>Orientation:</b> VU	<b>Meters:</b>
<b>Manual:</b> 9	<b>0.25% Pb:</b> Yes	<b>Spare Parts Only:</b> No
<b>Approved:</b> 07-Sep-2000	<b>Renewed:</b> 07-Sep-2021	<b>Bypass:</b>
<b>Shutoffs:</b> (hhh)		

<b>Type:</b> DC	<b>Manufacturer:</b> Watts	<b>Model:</b> U007M1APCQT
<b>Size:</b> 3/4	<b>Orientation:</b> VDVD	<b>Meters:</b>
<b>Manual:</b> 8	<b>0.25% Pb:</b> No	<b>Spare Parts Only:</b> No
<b>Approved:</b> 10-Dec-1994	<b>Renewed:</b> 10-Dec-2021	<b>Bypass:</b>
<b>Shutoffs:</b> (vv),xx,ooo,hhhh,pppp		

---

<b>Type:</b> DC	<b>Manufacturer:</b> Watts	<b>Model:</b> U007M1APCQT
<b>Size:</b> 3/4	<b>Orientation:</b> VDVU	<b>Meters:</b>
<b>Manual:</b> 8	<b>0.25% Pb:</b> No	<b>Spare Parts Only:</b> No
<b>Approved:</b> 10-Dec-1994	<b>Renewed:</b> 10-Dec-2021	<b>Bypass:</b>
<b>Shutoffs:</b> (vv),xx,ooo,hhhh,pppp		

---

<b>Type:</b> DC	<b>Manufacturer:</b> Watts	<b>Model:</b> U007M1APCQT
<b>Size:</b> 3/4	<b>Orientation:</b> VUVD	<b>Meters:</b>
<b>Manual:</b> 8	<b>0.25% Pb:</b> No	<b>Spare Parts Only:</b> No
<b>Approved:</b> 10-Dec-1994	<b>Renewed:</b> 10-Dec-2021	<b>Bypass:</b>
<b>Shutoffs:</b> (vv),xx,ooo,hhhh,pppp		

---

<b>Type:</b> DC	<b>Manufacturer:</b> Watts	<b>Model:</b> U007M1APCQT
<b>Size:</b> 3/4	<b>Orientation:</b> VUVU	<b>Meters:</b>
<b>Manual:</b> 8	<b>0.25% Pb:</b> No	<b>Spare Parts Only:</b> No
<b>Approved:</b> 10-Dec-1994	<b>Renewed:</b> 10-Dec-2021	<b>Bypass:</b>
<b>Shutoffs:</b> (vv),xx,ooo,hhhh,pppp		

---

<b>Type:</b> DC	<b>Manufacturer:</b> Watts	<b>Model:</b> U007M1APCQT
<b>Size:</b> 2	<b>Orientation:</b> VDVD	<b>Meters:</b>
<b>Manual:</b> 8	<b>0.25% Pb:</b> No	<b>Spare Parts Only:</b> No
<b>Approved:</b> 27-Sep-1994	<b>Renewed:</b> 27-Sep-2021	<b>Bypass:</b>
<b>Shutoffs:</b> (vv),xx,ooo,hhhh,pppp		

---

<b>Type:</b> DC	<b>Manufacturer:</b> Watts	<b>Model:</b> U007M1APCQT
<b>Size:</b> 2	<b>Orientation:</b> VDVU	<b>Meters:</b>
<b>Manual:</b> 8	<b>0.25% Pb:</b> No	<b>Spare Parts Only:</b> No
<b>Approved:</b> 27-Sep-1994	<b>Renewed:</b> 27-Sep-2021	<b>Bypass:</b>
<b>Shutoffs:</b> (vv),xx,ooo,hhhh,pppp		

---

<b>Type:</b> DC	<b>Manufacturer:</b> Watts	<b>Model:</b> U007M1APCQT
<b>Size:</b> 2	<b>Orientation:</b> VUVD	<b>Meters:</b>
<b>Manual:</b> 8	<b>0.25% Pb:</b> No	<b>Spare Parts Only:</b> No
<b>Approved:</b> 27-Sep-1994	<b>Renewed:</b> 27-Sep-2021	<b>Bypass:</b>
<b>Shutoffs:</b> (vv),xx,ooo,hhhh,pppp		

<b>Type:</b> DC	<b>Manufacturer:</b> Watts	<b>Model:</b> U007M1APCQT
<b>Size:</b> 2	<b>Orientation:</b> VUVU	<b>Meters:</b>
<b>Manual:</b> 8	<b>0.25% Pb:</b> No	<b>Spare Parts Only:</b> No
<b>Approved:</b> 27-Sep-1994	<b>Renewed:</b> 27-Sep-2021	<b>Bypass:</b>
<b>Shutoffs:</b> (vv),xx,ooo,hhhh,pppp		

---

<b>Type:</b> DC	<b>Manufacturer:</b> Watts	<b>Model:</b> U007M1AQT
<b>Size:</b> 3/4	<b>Orientation:</b> VDVD	<b>Meters:</b>
<b>Manual:</b> 8	<b>0.25% Pb:</b> No	<b>Spare Parts Only:</b> No
<b>Approved:</b> 24-Feb-1994	<b>Renewed:</b> 24-Feb-2021	<b>Bypass:</b>
<b>Shutoffs:</b> (vv),xx,ooo,hhhh,pppp		

---

<b>Type:</b> DC	<b>Manufacturer:</b> Watts	<b>Model:</b> U007M1AQT
<b>Size:</b> 3/4	<b>Orientation:</b> VDVU	<b>Meters:</b>
<b>Manual:</b> 8	<b>0.25% Pb:</b> No	<b>Spare Parts Only:</b> No
<b>Approved:</b> 24-Feb-1994	<b>Renewed:</b> 24-Feb-2021	<b>Bypass:</b>
<b>Shutoffs:</b> (vv),xx,ooo,hhhh,pppp		

---

<b>Type:</b> DC	<b>Manufacturer:</b> Watts	<b>Model:</b> U007M1AQT
<b>Size:</b> 3/4	<b>Orientation:</b> VUVD	<b>Meters:</b>
<b>Manual:</b> 8	<b>0.25% Pb:</b> No	<b>Spare Parts Only:</b> No
<b>Approved:</b> 24-Feb-1994	<b>Renewed:</b> 24-Feb-2021	<b>Bypass:</b>
<b>Shutoffs:</b> (vv),xx,ooo,hhhh,pppp		

---

<b>Type:</b> DC	<b>Manufacturer:</b> Watts	<b>Model:</b> U007M1AQT
<b>Size:</b> 3/4	<b>Orientation:</b> VUVU	<b>Meters:</b>
<b>Manual:</b> 8	<b>0.25% Pb:</b> No	<b>Spare Parts Only:</b> No
<b>Approved:</b> 24-Feb-1994	<b>Renewed:</b> 24-Feb-2021	<b>Bypass:</b>
<b>Shutoffs:</b> (vv),xx,ooo,hhhh,pppp		

---

<b>Type:</b> DC	<b>Manufacturer:</b> Watts	<b>Model:</b> U007M1AQT
<b>Size:</b> 2	<b>Orientation:</b> VDVD	<b>Meters:</b>
<b>Manual:</b> 8	<b>0.25% Pb:</b> No	<b>Spare Parts Only:</b> No
<b>Approved:</b> 24-Feb-1994	<b>Renewed:</b> 24-Feb-2021	<b>Bypass:</b>
<b>Shutoffs:</b> (vv),xx,ooo,hhhh,pppp		

---

<b>Type:</b> DC	<b>Manufacturer:</b> Watts	<b>Model:</b> U007M1AQT
<b>Size:</b> 2	<b>Orientation:</b> VDVU	<b>Meters:</b>
<b>Manual:</b> 8	<b>0.25% Pb:</b> No	<b>Spare Parts Only:</b> No
<b>Approved:</b> 24-Feb-1994	<b>Renewed:</b> 24-Feb-2021	<b>Bypass:</b>
<b>Shutoffs:</b> (vv),xx,ooo,hhhh,pppp		

**Type:** DC  
**Size:** 2  
**Manual:** 8  
**Approved:** 24-Feb-1994  
**Shutoffs:** (vv),xx,ooo,hhhh,pppp

**Manufacturer:** Watts  
**Orientation:** VUVD  
**0.25% Pb:** No  
**Renewed:** 24-Feb-2021

**Model:** U007M1AQT  
**Meters:**  
**Spare Parts Only:** No  
**Bypass:**

---

**Type:** DC  
**Size:** 2  
**Manual:** 8  
**Approved:** 24-Feb-1994  
**Shutoffs:** (vv),xx,ooo,hhhh,pppp

**Manufacturer:** Watts  
**Orientation:** VUVU  
**0.25% Pb:** No  
**Renewed:** 24-Feb-2021

**Model:** U007M1AQT  
**Meters:**  
**Spare Parts Only:** No  
**Bypass:**

---

**Type:** DC  
**Size:** 3/4  
**Manual:** 8  
**Approved:** 10-Dec-1993  
**Shutoffs:** (vv),xx,ooo,hhhh,pppp

**Manufacturer:** Watts  
**Orientation:** H  
**0.25% Pb:** No  
**Renewed:** 10-Dec-2020

**Model:** U007M1PCQT  
**Meters:**  
**Spare Parts Only:** No  
**Bypass:**

---

**Type:** DC  
**Size:** 1  
**Manual:** 8  
**Approved:** 10-Dec-1993  
**Shutoffs:** (vv),xx,ooo,hhhh,pppp

**Manufacturer:** Watts  
**Orientation:** H  
**0.25% Pb:** No  
**Renewed:** 10-Dec-2020

**Model:** U007M1PCQT  
**Meters:**  
**Spare Parts Only:** No  
**Bypass:**

---

**Type:** DC  
**Size:** 1 1/2  
**Manual:** 8  
**Approved:** 27-Sep-1994  
**Shutoffs:** (vv),xx,ooo,hhhh,pppp

**Manufacturer:** Watts  
**Orientation:** H  
**0.25% Pb:** No  
**Renewed:** 27-Sep-2021

**Model:** U007M1PCQT  
**Meters:**  
**Spare Parts Only:** No  
**Bypass:**

---

**Type:** DC  
**Size:** 2  
**Manual:** 8  
**Approved:** 27-Sep-1994  
**Shutoffs:** (vv),xx,ooo,hhhh,pppp

**Manufacturer:** Watts  
**Orientation:** H  
**0.25% Pb:** No  
**Renewed:** 27-Sep-2021

**Model:** U007M1PCQT  
**Meters:**  
**Spare Parts Only:** No  
**Bypass:**

---

**Type:** DC  
**Size:** 3/4  
**Manual:** 8  
**Approved:** 30-Aug-1993  
**Shutoffs:** (vv),xx,ooo,hhhh,pppp

**Manufacturer:** Watts  
**Orientation:** H  
**0.25% Pb:** No  
**Renewed:** 28-Aug-2020

**Model:** U007M1QT  
**Meters:**  
**Spare Parts Only:** No  
**Bypass:**

**Type:** DC  
**Size:** 1  
**Manual:** 8  
**Approved:** 30-Aug-1993  
**Shutoffs:** (vv),xx,ooo,hhhh,pppp

**Manufacturer:** Watts  
**Orientation:** H  
**0.25% Pb:** No  
**Renewed:** 30-Aug-2020

**Model:** U007M1QT  
**Meters:**  
**Spare Parts Only:** No  
**Bypass:**

---

**Type:** DC  
**Size:** 1 1/2  
**Manual:** 8  
**Approved:** 20-Oct-1993  
**Shutoffs:** vv,xx,ooo,hhhh,pppp

**Manufacturer:** Watts  
**Orientation:** H  
**0.25% Pb:** No  
**Renewed:** 20-Oct-2020

**Model:** U007M1QT  
**Meters:**  
**Spare Parts Only:** Yes  
**Bypass:**

---

**Type:** DC  
**Size:** 2  
**Manual:** 8  
**Approved:** 20-Oct-1993  
**Shutoffs:** (vv),xx,ooo,hhhh,pppp

**Manufacturer:** Watts  
**Orientation:** H  
**0.25% Pb:** No  
**Renewed:** 20-Oct-2020

**Model:** U007M1QT  
**Meters:**  
**Spare Parts Only:** No  
**Bypass:**

---

**Type:** DC  
**Size:** 1 1/2  
**Manual:** 8  
**Approved:** 06-Sep-1994  
**Shutoffs:** (vv),xx,ooo,hhhh,pppp

**Manufacturer:** Watts  
**Orientation:** VDVD  
**0.25% Pb:** No  
**Renewed:** 06-Sep-2021

**Model:** U007M2AQT  
**Meters:**  
**Spare Parts Only:** No  
**Bypass:**

---

**Type:** DC  
**Size:** 1 1/2  
**Manual:** 8  
**Approved:** 06-Sep-1994  
**Shutoffs:** (vv),xx,ooo,hhhh,pppp

**Manufacturer:** Watts  
**Orientation:** VDVU  
**0.25% Pb:** No  
**Renewed:** 06-Sep-2021

**Model:** U007M2AQT  
**Meters:**  
**Spare Parts Only:** No  
**Bypass:**

---

**Type:** DC  
**Size:** 1 1/2  
**Manual:** 8  
**Approved:** 06-Sep-1994  
**Shutoffs:** (vv),xx,ooo,hhhh,pppp

**Manufacturer:** Watts  
**Orientation:** VUVD  
**0.25% Pb:** No  
**Renewed:** 06-Sep-2021

**Model:** U007M2AQT  
**Meters:**  
**Spare Parts Only:** No  
**Bypass:**

---

**Type:** DC  
**Size:** 1 1/2  
**Manual:** 8  
**Approved:** 06-Sep-1994  
**Shutoffs:** (vv),xx,ooo,hhhh,pppp

**Manufacturer:** Watts  
**Orientation:** VUVU  
**0.25% Pb:** No  
**Renewed:** 06-Sep-2021

**Model:** U007M2AQT  
**Meters:**  
**Spare Parts Only:** No  
**Bypass:**



**Type:** DC  
**Size:** 1 1/4  
**Manual:** 8  
**Approved:** 01-Oct-1996  
**Shutoffs:** (vv),xx,ooo,hhhh,pppp

**Manufacturer:** Watts  
**Orientation:** H  
**0.25% Pb:** No  
**Renewed:** 01-Oct-2020

**Model:** U007M2QT  
**Meters:**  
**Spare Parts Only:** No  
**Bypass:**

---

**Type:** DC  
**Size:** 1 1/2  
**Manual:** 8  
**Approved:** 06-Sep-1994  
**Shutoffs:** (vv),xx,ooo,hhhh,pppp

**Manufacturer:** Watts  
**Orientation:** H  
**0.25% Pb:** No  
**Renewed:** 06-Sep-2021

**Model:** U007M2QT  
**Meters:**  
**Spare Parts Only:** No  
**Bypass:**

---

**Type:** DC  
**Size:** 3/4  
**Manual:** 8  
**Approved:** 10-Dec-1993  
**Shutoffs:** vv,xx,ooo,hhhh,pppp

**Manufacturer:** Watts  
**Orientation:** H  
**0.25% Pb:** No  
**Renewed:** 10-Dec-2020

**Model:** U007PCQT  
**Meters:**  
**Spare Parts Only:** Yes  
**Bypass:**

---

**Type:** DC  
**Size:** 1  
**Manual:** 8  
**Approved:** 10-Dec-1993  
**Shutoffs:** vv,xx,ooo,hhhh,pppp

**Manufacturer:** Watts  
**Orientation:** H  
**0.25% Pb:** No  
**Renewed:** 10-Dec-2020

**Model:** U007PCQT  
**Meters:**  
**Spare Parts Only:** Yes  
**Bypass:**

---

**Type:** DC  
**Size:** 1 1/2  
**Manual:** 8  
**Approved:** 27-Sep-1994  
**Shutoffs:** vv,xx,ooo,hhhh,pppp

**Manufacturer:** Watts  
**Orientation:** H  
**0.25% Pb:** No  
**Renewed:** 27-Sep-2021

**Model:** U007PCQT  
**Meters:**  
**Spare Parts Only:** Yes  
**Bypass:**

---

**Type:** DC  
**Size:** 2  
**Manual:** 8  
**Approved:** 27-Sep-1994  
**Shutoffs:** vv,xx,ooo,hhhh,pppp

**Manufacturer:** Watts  
**Orientation:** H  
**0.25% Pb:** No  
**Renewed:** 27-Sep-2021

**Model:** U007PCQT  
**Meters:**  
**Spare Parts Only:** Yes  
**Bypass:**

---

**Type:** DC  
**Size:** 1/2  
**Manual:** 9  
**Approved:** 08-Mar-1999  
**Shutoffs:** (vv),xx,ooo,hhhh,pppp

**Manufacturer:** Watts  
**Orientation:** H  
**0.25% Pb:** No  
**Renewed:** 08-Mar-2020

**Model:** U007QT  
**Meters:**  
**Spare Parts Only:** No  
**Bypass:**

**Type:** DC  
**Size:** 1/2  
**Manual:** 9  
**Approved:** 08-Mar-1999  
**Shutoffs:** (vv),xx,ooo,hhhh,pppp

**Manufacturer:** Watts  
**Orientation:** VU  
**0.25% Pb:** No  
**Renewed:** 08-Mar-2020

**Model:** U007QT  
**Meters:**  
**Spare Parts Only:** No  
**Bypass:**

---

**Type:** DC  
**Size:** 3/4  
**Manual:** 7  
**Approved:** 11-Jan-1988  
**Shutoffs:** vv,xx,ooo,hhhh,pppp

**Manufacturer:** Watts  
**Orientation:** H  
**0.25% Pb:** No  
**Renewed:** 11-Jan-2021

**Model:** U007QT  
**Meters:**  
**Spare Parts Only:** Yes  
**Bypass:**

---

**Type:** DC  
**Size:** 1  
**Manual:** 7  
**Approved:** 11-Jan-1988  
**Shutoffs:** vv,xx,ooo,hhhh,pppp

**Manufacturer:** Watts  
**Orientation:** H  
**0.25% Pb:** No  
**Renewed:** 11-Jan-2021

**Model:** U007QT  
**Meters:**  
**Spare Parts Only:** Yes  
**Bypass:**

---

**Type:** DC  
**Size:** 1 1/2  
**Manual:** 7  
**Approved:** 21-Jul-1988  
**Shutoffs:** vv,xx,ooo,hhhh,pppp

**Manufacturer:** Watts  
**Orientation:** H  
**0.25% Pb:** No  
**Renewed:** 21-Jul-2021

**Model:** U007QT  
**Meters:**  
**Spare Parts Only:** Yes  
**Bypass:**

---

**Type:** DC  
**Size:** 2  
**Manual:** 7  
**Approved:** 21-Jul-1988  
**Shutoffs:** vv,xx,ooo,hhhh,pppp

**Manufacturer:** Watts  
**Orientation:** H  
**0.25% Pb:** No  
**Renewed:** 21-Jul-2021

**Model:** U007QT  
**Meters:**  
**Spare Parts Only:** Yes  
**Bypass:**

---

**Type:** DC  
**Size:** 3/4  
**Manual:** 8  
**Approved:** 10-Dec-1993  
**Shutoffs:** vv,xx,pppp

**Manufacturer:** Watts  
**Orientation:** H  
**0.25% Pb:** No  
**Renewed:** 10-Dec-2020

**Model:** U007SSPCQT  
**Meters:**  
**Spare Parts Only:** Yes  
**Bypass:**

---

**Type:** DC  
**Size:** 1  
**Manual:** 8  
**Approved:** 10-Dec-1993  
**Shutoffs:** vv,xx,pppp

**Manufacturer:** Watts  
**Orientation:** H  
**0.25% Pb:** No  
**Renewed:** 10-Dec-2020

**Model:** U007SSPCQT  
**Meters:**  
**Spare Parts Only:** Yes  
**Bypass:**

<b>Type:</b> DC	<b>Manufacturer:</b> Watts	<b>Model:</b> U007SSPCQT
<b>Size:</b> 1 1/2	<b>Orientation:</b> H	<b>Meters:</b>
<b>Manual:</b> 8	<b>0.25% Pb:</b> No	<b>Spare Parts Only:</b> Yes
<b>Approved:</b> 27-Sep-1994	<b>Renewed:</b> 27-Sep-2021	<b>Bypass:</b>
<b>Shutoffs:</b> vv,xx,pppp		

---

<b>Type:</b> DC	<b>Manufacturer:</b> Watts	<b>Model:</b> U007SSPCQT
<b>Size:</b> 2	<b>Orientation:</b> H	<b>Meters:</b>
<b>Manual:</b> 8	<b>0.25% Pb:</b> No	<b>Spare Parts Only:</b> Yes
<b>Approved:</b> 27-Sep-1994	<b>Renewed:</b> 27-Sep-2021	<b>Bypass:</b>
<b>Shutoffs:</b> vv,xx,pppp		

---

<b>Type:</b> DC	<b>Manufacturer:</b> Watts	<b>Model:</b> U007SSQT
<b>Size:</b> 3/4	<b>Orientation:</b> H	<b>Meters:</b>
<b>Manual:</b> 7	<b>0.25% Pb:</b> No	<b>Spare Parts Only:</b> Yes
<b>Approved:</b> 11-Jan-1988	<b>Renewed:</b> 11-Jan-2021	<b>Bypass:</b>
<b>Shutoffs:</b> vv,xx,pppp		

---

<b>Type:</b> DC	<b>Manufacturer:</b> Watts	<b>Model:</b> U007SSQT
<b>Size:</b> 1	<b>Orientation:</b> H	<b>Meters:</b>
<b>Manual:</b> 7	<b>0.25% Pb:</b> No	<b>Spare Parts Only:</b> Yes
<b>Approved:</b> 11-Jan-1988	<b>Renewed:</b> 11-Jan-2021	<b>Bypass:</b>
<b>Shutoffs:</b> vv,xx,pppp		

---

<b>Type:</b> DC	<b>Manufacturer:</b> Watts	<b>Model:</b> U007SSQT
<b>Size:</b> 1 1/2	<b>Orientation:</b> H	<b>Meters:</b>
<b>Manual:</b> 7	<b>0.25% Pb:</b> No	<b>Spare Parts Only:</b> Yes
<b>Approved:</b> 21-Jul-1988	<b>Renewed:</b> 21-Jul-2021	<b>Bypass:</b>
<b>Shutoffs:</b> vv,xx,pppp		

---

<b>Type:</b> DC	<b>Manufacturer:</b> Watts	<b>Model:</b> U007SSQT
<b>Size:</b> 2	<b>Orientation:</b> H	<b>Meters:</b>
<b>Manual:</b> 7	<b>0.25% Pb:</b> No	<b>Spare Parts Only:</b> Yes
<b>Approved:</b> 21-Jul-1988	<b>Renewed:</b> 21-Jul-2021	<b>Bypass:</b>
<b>Shutoffs:</b> vv,xx,pppp		

---

<b>Type:</b> DC	<b>Manufacturer:</b> Watts	<b>Model:</b> U719QT
<b>Size:</b> 1/2	<b>Orientation:</b>	<b>Meters:</b>
<b>Manual:</b>	<b>0.25% Pb:</b> No	<b>Spare Parts Only:</b> No
<b>Approved:</b>	<b>Renewed:</b>	<b>Bypass:</b>
<b>Notes:</b> model designation changed to U719QTR10		

**Type:** DC  
**Size:** 1/2  
**Manual:**  
**Approved:**  
**Notes:** model designation changed to U719QTR10

**Manufacturer:** Watts  
**Orientation:**  
**0.25% Pb:** No  
**Renewed:**

**Model:** U719QT  
**Meters:**  
**Spare Parts Only:** No  
**Bypass:**

---

**Type:** DC  
**Size:** 1/2  
**Manual:**  
**Approved:**  
**Notes:** model designation changed to U719QTR10

**Manufacturer:** Watts  
**Orientation:**  
**0.25% Pb:** No  
**Renewed:**

**Model:** U719QT  
**Meters:**  
**Spare Parts Only:** No  
**Bypass:**

---

**Type:** DC  
**Size:** 3/4  
**Manual:**  
**Approved:**  
**Notes:** model designation changed to U719QTR10

**Manufacturer:** Watts  
**Orientation:**  
**0.25% Pb:** No  
**Renewed:**

**Model:** U719QT  
**Meters:**  
**Spare Parts Only:** No  
**Bypass:**

---

**Type:** DC  
**Size:** 3/4  
**Manual:**  
**Approved:**  
**Notes:** model designation changed to U719QTR10

**Manufacturer:** Watts  
**Orientation:**  
**0.25% Pb:** No  
**Renewed:**

**Model:** U719QT  
**Meters:**  
**Spare Parts Only:** No  
**Bypass:**

---

**Type:** DC  
**Size:** 3/4  
**Manual:**  
**Approved:**  
**Notes:** model designation changed to U719QTR10

**Manufacturer:** Watts  
**Orientation:**  
**0.25% Pb:** No  
**Renewed:**

**Model:** U719QT  
**Meters:**  
**Spare Parts Only:** No  
**Bypass:**

---

**Type:** DC  
**Size:** 1  
**Manual:** 9  
**Approved:** 04-Oct-2005  
**Shutoffs:** (vv),xx,ooo,hhhh,pppp

**Manufacturer:** Watts  
**Orientation:** H  
**0.25% Pb:** No  
**Renewed:** 04-Oct-2020

**Model:** U719QT  
**Meters:**  
**Spare Parts Only:** No  
**Bypass:**

---

**Type:** DC  
**Size:** 1  
**Manual:** 9  
**Approved:** 04-Oct-2005  
**Shutoffs:** (vv),xx,ooo,hhhh,pppp

**Manufacturer:** Watts  
**Orientation:** VD  
**0.25% Pb:** No  
**Renewed:** 04-Oct-2020

**Model:** U719QT  
**Meters:**  
**Spare Parts Only:** No  
**Bypass:**

**Type:** DC  
**Size:** 1  
**Manual:** 9  
**Approved:** 04-Oct-2005  
**Shutoffs:** (vv),xx,ooo,hhhh,pppp

**Manufacturer:** Watts  
**Orientation:** VU  
**0.25% Pb:** No  
**Renewed:** 04-Oct-2020

**Model:** U719QT  
**Meters:**  
**Spare Parts Only:** No  
**Bypass:**

---

**Type:** DC  
**Size:** 1 1/4  
**Manual:** 9  
**Approved:** 04-Oct-2005  
**Shutoffs:** (vv),xx,ooo,hhhh,pppp

**Manufacturer:** Watts  
**Orientation:** H  
**0.25% Pb:** No  
**Renewed:** 04-Oct-2020

**Model:** U719QT  
**Meters:**  
**Spare Parts Only:** No  
**Bypass:**

---

**Type:** DC  
**Size:** 1 1/4  
**Manual:** 9  
**Approved:** 04-Oct-2005  
**Shutoffs:** (vv),xx,ooo,hhhh,pppp

**Manufacturer:** Watts  
**Orientation:** VD  
**0.25% Pb:** No  
**Renewed:** 04-Oct-2020

**Model:** U719QT  
**Meters:**  
**Spare Parts Only:** No  
**Bypass:**

---

**Type:** DC  
**Size:** 1 1/4  
**Manual:** 9  
**Approved:** 04-Oct-2005  
**Shutoffs:** (vv),xx,ooo,hhhh,pppp

**Manufacturer:** Watts  
**Orientation:** VU  
**0.25% Pb:** No  
**Renewed:** 04-Oct-2020

**Model:** U719QT  
**Meters:**  
**Spare Parts Only:** No  
**Bypass:**

---

**Type:** DC  
**Size:** 1 1/2  
**Manual:** 9  
**Approved:** 04-Oct-2005  
**Shutoffs:** (vv),xx,ooo,hhhh,pppp

**Manufacturer:** Watts  
**Orientation:** H  
**0.25% Pb:** No  
**Renewed:** 04-Oct-2020

**Model:** U719QT  
**Meters:**  
**Spare Parts Only:** No  
**Bypass:**

---

**Type:** DC  
**Size:** 1 1/2  
**Manual:** 9  
**Approved:** 04-Oct-2005  
**Shutoffs:** (vv),xx,ooo,hhhh,pppp

**Manufacturer:** Watts  
**Orientation:** VD  
**0.25% Pb:** No  
**Renewed:** 04-Oct-2020

**Model:** U719QT  
**Meters:**  
**Spare Parts Only:** No  
**Bypass:**

---

**Type:** DC  
**Size:** 1 1/2  
**Manual:** 9  
**Approved:** 04-Oct-2005  
**Shutoffs:** (vv),xx,ooo,hhhh,pppp

**Manufacturer:** Watts  
**Orientation:** VU  
**0.25% Pb:** No  
**Renewed:** 04-Oct-2020

**Model:** U719QT  
**Meters:**  
**Spare Parts Only:** No  
**Bypass:**

**Type:** DC  
**Size:** 2  
**Manual:** 9  
**Approved:** 04-Oct-2005  
**Shutoffs:** (vv),xx,ooo,hhhh,pppp

**Manufacturer:** Watts  
**Orientation:** H  
**0.25% Pb:** No  
**Renewed:** 04-Oct-2020

**Model:** U719QT  
**Meters:**  
**Spare Parts Only:** No  
**Bypass:**

---

**Type:** DC  
**Size:** 2  
**Manual:** 9  
**Approved:** 04-Oct-2005  
**Shutoffs:** (vv),xx,ooo,hhhh,pppp

**Manufacturer:** Watts  
**Orientation:** VD  
**0.25% Pb:** No  
**Renewed:** 04-Oct-2020

**Model:** U719QT  
**Meters:**  
**Spare Parts Only:** No  
**Bypass:**

---

**Type:** DC  
**Size:** 2  
**Manual:** 9  
**Approved:** 04-Oct-2005  
**Shutoffs:** (vv),xx,ooo,hhhh,pppp

**Manufacturer:** Watts  
**Orientation:** VU  
**0.25% Pb:** No  
**Renewed:** 04-Oct-2020

**Model:** U719QT  
**Meters:**  
**Spare Parts Only:** No  
**Bypass:**

---

**Type:** DC  
**Size:** 1/2  
**Manual:** 9  
**Approved:** 04-Oct-2005  
**Shutoffs:** (vv),xx,ooo,hhhh,pppp  
**Notes:** formerly U719QT

**Manufacturer:** Watts  
**Orientation:** H  
**0.25% Pb:** No  
**Renewed:** 04-Oct-2020

**Model:** U719QTR10  
**Meters:**  
**Spare Parts Only:** Yes  
**Bypass:**

---

**Type:** DC  
**Size:** 1/2  
**Manual:** 9  
**Approved:** 04-Oct-2005  
**Shutoffs:** (vv),xx,ooo,hhhh,pppp  
**Notes:** formerly U719QT

**Manufacturer:** Watts  
**Orientation:** VD  
**0.25% Pb:** No  
**Renewed:** 04-Oct-2020

**Model:** U719QTR10  
**Meters:**  
**Spare Parts Only:** Yes  
**Bypass:**

---

**Type:** DC  
**Size:** 1/2  
**Manual:** 9  
**Approved:** 04-Oct-2005  
**Shutoffs:** (vv),xx,ooo,hhhh,pppp  
**Notes:** formerly U719QT

**Manufacturer:** Watts  
**Orientation:** VU  
**0.25% Pb:** No  
**Renewed:** 04-Oct-2020

**Model:** U719QTR10  
**Meters:**  
**Spare Parts Only:** Yes  
**Bypass:**

<b>Type:</b> DC	<b>Manufacturer:</b> Watts	<b>Model:</b> U719QTR10
<b>Size:</b> 3/4	<b>Orientation:</b> H	<b>Meters:</b>
<b>Manual:</b> 9	<b>0.25% Pb:</b> No	<b>Spare Parts Only:</b> Yes
<b>Approved:</b> 04-Oct-2005	<b>Renewed:</b> 04-Oct-2020	<b>Bypass:</b>
<b>Shutoffs:</b> (vv),xx,ooo,hhhh,pppp		
<b>Notes:</b> formerly U719QT		

---

<b>Type:</b> DC	<b>Manufacturer:</b> Watts	<b>Model:</b> U719QTR10
<b>Size:</b> 3/4	<b>Orientation:</b> VD	<b>Meters:</b>
<b>Manual:</b> 9	<b>0.25% Pb:</b> No	<b>Spare Parts Only:</b> Yes
<b>Approved:</b> 04-Oct-2005	<b>Renewed:</b> 04-Oct-2020	<b>Bypass:</b>
<b>Shutoffs:</b> (vv),xx,ooo,hhhh,pppp		
<b>Notes:</b> formerly U719QT		

---

<b>Type:</b> DC	<b>Manufacturer:</b> Watts	<b>Model:</b> U719QTR10
<b>Size:</b> 3/4	<b>Orientation:</b> VU	<b>Meters:</b>
<b>Manual:</b> 9	<b>0.25% Pb:</b> No	<b>Spare Parts Only:</b> Yes
<b>Approved:</b> 04-Oct-2005	<b>Renewed:</b> 04-Oct-2020	<b>Bypass:</b>
<b>Shutoffs:</b> (vv),xx,ooo,hhhh,pppp		
<b>Notes:</b> formerly U719QT		

---

<b>Type:</b> DC	<b>Manufacturer:</b> Wilkins	<b>Model:</b> 350
<b>Size:</b> 3/4	<b>Orientation:</b> H	<b>Meters:</b>
<b>Manual:</b> 9	<b>0.25% Pb:</b> No	<b>Spare Parts Only:</b> No
<b>Approved:</b> 06-Jul-2005	<b>Renewed:</b> 06-Jul-2020	<b>Bypass:</b>
<b>Shutoffs:</b> (ii),ooo		
<b>Notes:</b> Testcocks: Female Threaded End or 45 degree male SAE flare		

---

<b>Type:</b> DC	<b>Manufacturer:</b> Wilkins	<b>Model:</b> 350
<b>Size:</b> 3/4	<b>Orientation:</b> VU	<b>Meters:</b>
<b>Manual:</b> 9	<b>0.25% Pb:</b> No	<b>Spare Parts Only:</b> No
<b>Approved:</b> 06-Jul-2005	<b>Renewed:</b> 06-Jul-2020	<b>Bypass:</b>
<b>Shutoffs:</b> (ii),ooo		
<b>Notes:</b> Testcocks: Female Threaded End or 45 degree male SAE flare		

---

<b>Type:</b> DC	<b>Manufacturer:</b> Wilkins	<b>Model:</b> 350
<b>Size:</b> 1	<b>Orientation:</b> H	<b>Meters:</b>
<b>Manual:</b> 9	<b>0.25% Pb:</b> No	<b>Spare Parts Only:</b> No
<b>Approved:</b> 21-Apr-2006	<b>Renewed:</b> 21-Apr-2021	<b>Bypass:</b>
<b>Shutoffs:</b> (ii),ooo		
<b>Notes:</b> Testcocks: Female Threaded End or 45 degree male SAE flare		

**Type:** DC                                      **Manufacturer:** Wilkins                                      **Model:** 350  
**Size:** 1    **Orientation:** VU    **Meters:**  
**Manual:** 9                                        **0.25% Pb:** No    **Spare Parts Only:** No  
**Approved:** 21-Apr-2006                      **Renewed:** 21-Apr-2021    **Bypass:**  
**Shutoffs:** (ii),000  
**Notes:** Testcocks: Female Threaded End or 45 degree male SAE flare

---

**Type:** DC                                      **Manufacturer:** Wilkins                                      **Model:** 350  
**Size:** 1 1/4                                      **Orientation:** H    **Meters:**  
**Manual:** 9                                        **0.25% Pb:** No    **Spare Parts Only:** No  
**Approved:** 08-Jan-2009                      **Renewed:** 08-Jan-2021    **Bypass:**  
**Shutoffs:** (int)

---

**Type:** DC                                      **Manufacturer:** Wilkins                                      **Model:** 350  
**Size:** 1 1/4                                      **Orientation:** VU    **Meters:**  
**Manual:** 9                                        **0.25% Pb:** No    **Spare Parts Only:** No  
**Approved:** 08-Jan-2009                      **Renewed:** 08-Jan-2021    **Bypass:**  
**Shutoffs:** (int)

---

**Type:** DC                                      **Manufacturer:** Wilkins                                      **Model:** 350  
**Size:** 1 1/2                                      **Orientation:** H    **Meters:**  
**Manual:** 9                                        **0.25% Pb:** No    **Spare Parts Only:** No  
**Approved:** 08-Jan-2009                      **Renewed:** 08-Jan-2021    **Bypass:**  
**Shutoffs:** (int)

---

**Type:** DC                                      **Manufacturer:** Wilkins                                      **Model:** 350  
**Size:** 1 1/2                                      **Orientation:** VU    **Meters:**  
**Manual:** 9                                        **0.25% Pb:** No    **Spare Parts Only:** No  
**Approved:** 08-Jan-2009                      **Renewed:** 08-Jan-2021    **Bypass:**  
**Shutoffs:** (int)

---

**Type:** DC                                      **Manufacturer:** Wilkins                                      **Model:** 350  
**Size:** 2    **Orientation:** H    **Meters:**  
**Manual:** 9                                        **0.25% Pb:** No    **Spare Parts Only:** No  
**Approved:** 08-Jan-2009                      **Renewed:** 08-Jan-2021    **Bypass:**  
**Shutoffs:** (int)



<b>Type:</b> DC	<b>Manufacturer:</b> Wilkins	<b>Model:</b> 350
<b>Size:</b> 2	<b>Orientation:</b> VU	<b>Meters:</b>
<b>Manual:</b> 9	<b>0.25% Pb:</b> No	<b>Spare Parts Only:</b> No
<b>Approved:</b> 08-Jan-2009	<b>Renewed:</b> 08-Jan-2021	<b>Bypass:</b>
<b>Shutoffs:</b> (int)		

---

<b>Type:</b> DC	<b>Manufacturer:</b> Wilkins	<b>Model:</b> 350
<b>Size:</b> 2 1/2	<b>Orientation:</b> H	<b>Meters:</b>
<b>Manual:</b> 9	<b>0.25% Pb:</b> No	<b>Spare Parts Only:</b> No
<b>Approved:</b> 05-Sep-2001	<b>Renewed:</b> 05-Sep-2022	<b>Bypass:</b>
<b>Shutoffs:</b> (gg),ee,ff,hh,ll,mm,tt,uu,yy,zz,ppp,qqq,zzz,dddd,ssss,ttt,vvvv,wwww,yyyy,zzzz,kkkkk,gggggg,hhhhhh,jjjjjj,kkkkkk,mmmm mm,nnnnnn		
<b>Notes:</b> Up to serial number J35214		

---

<b>Type:</b> DC	<b>Manufacturer:</b> Wilkins	<b>Model:</b> 350
<b>Size:</b> 2 1/2	<b>Orientation:</b> H	<b>Meters:</b>
<b>Manual:</b> 9	<b>0.25% Pb:</b> Yes	<b>Spare Parts Only:</b> No
<b>Approved:</b> 09-Sep-2010	<b>Renewed:</b> 09-Sep-2019	<b>Bypass:</b>
<b>Shutoffs:</b> (gg),hh,ppp,qqq,ssss,ttt,vvvv,wwww,yyyy,zzzz,kkkkk,gggggg,hhhhhh,jjjjjj,kkkkkk,mmmmmm,nnnnnn		
<b>Notes:</b> Serial number J35214 and higher		

---

<b>Type:</b> DC	<b>Manufacturer:</b> Wilkins	<b>Model:</b> 350
<b>Size:</b> 2 1/2	<b>Orientation:</b> VU	<b>Meters:</b>
<b>Manual:</b> 9	<b>0.25% Pb:</b> No	<b>Spare Parts Only:</b> No
<b>Approved:</b> 03-Apr-2002	<b>Renewed:</b> 03-Apr-2020	<b>Bypass:</b>
<b>Shutoffs:</b> (gg),hh,ppp,qqq,ssss,ttt,vvvv,wwww,yyyy,zzzz,kkkkk,gggggg,hhhhhh,jjjjjj,kkkkkk,mmmmmm,nnnnnn		
<b>Notes:</b> Up to serial number J35214		

---

<b>Type:</b> DC	<b>Manufacturer:</b> Wilkins	<b>Model:</b> 350
<b>Size:</b> 2 1/2	<b>Orientation:</b> VU	<b>Meters:</b>
<b>Manual:</b> 9	<b>0.25% Pb:</b> Yes	<b>Spare Parts Only:</b> No
<b>Approved:</b> 09-Sep-2010	<b>Renewed:</b> 09-Sep-2019	<b>Bypass:</b>
<b>Shutoffs:</b> (gg),ee,ff,hh,ll,mm,tt,uu,yy,zz,ppp,qqq,zzz,dddd,ssss,ttt,vvvv,wwww,yyyy,zzzz,kkkkk,gggggg,hhhhhh,jjjjjj,kkkkkk,mmmm mm,nnnnnn		
<b>Notes:</b> Serial number J35214 and higher		

**Type:** DC                                      **Manufacturer:** Wilkins                                      **Model:** 350  
**Size:** 3    **Orientation:** H    **Meters:**  
**Manual:** 9    **0.25% Pb:** No    **Spare Parts Only:** No  
**Approved:** 05-Sep-2001                                      **Renewed:** 05-Sep-2022                                      **Bypass:**  
**Shutoffs:**  
(gg),ee,ff,hh,ll,mm,tt,uu,yy,zz,ppp,qqq,zzz,dddd,ssss,ttt,vvvv,www,yyyy,zzzz,kkkkk,gggggg,hhhhhh,jjjjj,kkkkkk,mmmm  
mm,nnnnnn  
**Notes:** Up to serial number J35214

---

**Type:** DC                                      **Manufacturer:** Wilkins                                      **Model:** 350  
**Size:** 3    **Orientation:** H    **Meters:**  
**Manual:** 9    **0.25% Pb:** Yes    **Spare Parts Only:** No  
**Approved:** 09-Sep-2010                                      **Renewed:** 09-Sep-2019                                      **Bypass:**  
**Shutoffs:** (gg),hh,ppp,qqq,ssss,ttt,vvvv,www,yyyy,zzzz,kkkkk,gggggg,hhhhhh,jjjjj,kkkkkk,mmmmmm,nnnnnn  
**Notes:** Serial number J35214 and higher

---

**Type:** DC                                      **Manufacturer:** Wilkins                                      **Model:** 350  
**Size:** 3    **Orientation:** VU    **Meters:**  
**Manual:** 9    **0.25% Pb:** No    **Spare Parts Only:** No  
**Approved:** 03-Apr-2002                                      **Renewed:** 03-Apr-2020                                      **Bypass:**  
**Shutoffs:**  
(gg),ee,ff,hh,ll,mm,tt,uu,yy,zz,ppp,qqq,zzz,dddd,ssss,ttt,vvvv,www,yyyy,zzzz,kkkkk,gggggg,hhhhhh,jjjjj,kkkkkk,mmmm  
mm,nnnnnn  
**Notes:** Up to serial number J35214

---

**Type:** DC                                      **Manufacturer:** Wilkins                                      **Model:** 350  
**Size:** 3    **Orientation:** VU    **Meters:**  
**Manual:** 9    **0.25% Pb:** Yes    **Spare Parts Only:** No  
**Approved:** 09-Sep-2010                                      **Renewed:** 09-Sep-2019                                      **Bypass:**  
**Shutoffs:** (gg),hh,ppp,qqq,ssss,ttt,vvvv,www,yyyy,zzzz,kkkkk,gggggg,hhhhhh,jjjjj,kkkkkk,mmmmmm,nnnnnn  
**Notes:** Serial number J35214 and higher

---

**Type:** DC                                      **Manufacturer:** Wilkins                                      **Model:** 350  
**Size:** 4    **Orientation:** H    **Meters:**  
**Manual:** 9    **0.25% Pb:** No    **Spare Parts Only:** No  
**Approved:** 15-Sep-1999                                      **Renewed:** 15-Sep-2020                                      **Bypass:**  
**Shutoffs:**  
(gg),ee,ff,hh,ll,mm,tt,uu,yy,zz,ppp,qqq,vvv,www,zzz,dddd,eeee,ssss,ttt,vvvv,www,yyyy,zzzz,kkkkk,gggggg,hhhhhh,jjjjj,k  
kkkkk,mmmmmm,nnnnnn  
**Notes:** Up to serial number J35214

**Type:** DC                                    **Manufacturer:** Wilkins                                    **Model:** 350  
**Size:** 4                                         **Orientation:** H     **Meters:**  
**Manual:** 9                                         **0.25% Pb:** Yes     **Spare Parts Only:** No  
**Approved:** 09-Sep-2010                                         **Renewed:** 09-Sep-2019                                         **Bypass:**  
**Shutoffs:** (gg),hh,ppp,qqq,vvv,www,ssss,tttt,vvvv,wwww,yyyy,zzzz,kkkkk,gggggg,hhhhhh,jjjjjj,kkkkkk,mmmmmm,nnnnnn  
**Notes:** Serial number J35214 and higher

---

**Type:** DC                                    **Manufacturer:** Wilkins                                    **Model:** 350  
**Size:** 4                                         **Orientation:** VU     **Meters:**  
**Manual:** 9                                         **0.25% Pb:** No     **Spare Parts Only:** No  
**Approved:** 07-Sep-2000                                         **Renewed:** 07-Sep-2021                                         **Bypass:**  
**Shutoffs:**  
(gg),ee,ff,hh,ll,mm,tt,uu,yy,zz,ppp,qqq,vvv,www,zzz,dddd,eeee,ssss,tttt,vvvv,wwww,yyyy,zzzz,kkkkk,gggggg,hhhhhh,jjjjj,kkkkk,mmmmmm,nnnnnn  
**Notes:** Up to serial number J35214

---

**Type:** DC                                    **Manufacturer:** Wilkins                                    **Model:** 350  
**Size:** 4                                         **Orientation:** VU     **Meters:**  
**Manual:** 9                                         **0.25% Pb:** Yes     **Spare Parts Only:** No  
**Approved:** 09-Sep-2010                                         **Renewed:** 09-Sep-2019                                         **Bypass:**  
**Shutoffs:** (gg),hh,ppp,qqq,vvv,www,ssss,tttt,vvvv,wwww,yyyy,zzzz,kkkkk,gggggg,hhhhhh,jjjjjj,kkkkkk,mmmmmm,nnnnnn  
**Notes:** Serial number J35214 and higher

---

**Type:** DC                                    **Manufacturer:** Wilkins                                    **Model:** 350  
**Size:** 6                                         **Orientation:** H     **Meters:**  
**Manual:** 9                                         **0.25% Pb:** No     **Spare Parts Only:** No  
**Approved:** 18-Oct-1999                                         **Renewed:** 18-Oct-2020                                         **Bypass:**  
**Shutoffs:**  
(gg),ee,ff,hh,ll,mm,tt,uu,yy,zz,ppp,qqq,vvv,www,zzz,dddd,eeee,ssss,tttt,vvvv,wwww,yyyy,zzzz,kkkkk,gggggg,hhhhhh,jjjjj,kkkkk,mmmmmm,nnnnnn  
**Notes:** Up to serial number J35214

---

**Type:** DC                                    **Manufacturer:** Wilkins                                    **Model:** 350  
**Size:** 6                                         **Orientation:** H     **Meters:**  
**Manual:** 9                                         **0.25% Pb:** Yes     **Spare Parts Only:** No  
**Approved:** 09-Sep-2010                                         **Renewed:** 09-Sep-2019                                         **Bypass:**  
**Shutoffs:** (gg),hh,ppp,qqq,vvv,www,ssss,tttt,vvvv,wwww,yyyy,zzzz,kkkkk,gggggg,hhhhhh,jjjjjj,kkkkkk,mmmmmm,nnnnnn  
**Notes:** Serial number J35214 and higher

**Type:** DC **Manufacturer:** Wilkins **Model:** 350  
**Size:** 6 **Orientation:** VU **Meters:**  
**Manual:** 9 **0.25% Pb:** No **Spare Parts Only:** No  
**Approved:** 17-Dec-1999 **Renewed:** 17-Dec-2020 **Bypass:**  
**Shutoffs:**  
(gg),ee,ff,hh,ll,mm,tt,uu,yy,zz,ppp,qqq,vvv,www,zzz,dddd,eeee,ssss,tttt,vvvv,wwwwww,yyyy,zzzz,kkkkk,gggggg,hhhhhh,jjjjj,k  
kkkkk,mmmmmm,nnnnnn  
**Notes:** Up to serial number J35214

---

**Type:** DC **Manufacturer:** Wilkins **Model:** 350  
**Size:** 6 **Orientation:** VU **Meters:**  
**Manual:** 9 **0.25% Pb:** Yes **Spare Parts Only:** No  
**Approved:** 09-Sep-2010 **Renewed:** 09-Sep-2019 **Bypass:**  
**Shutoffs:** (gg),hh,ppp,qqq,vvv,www,ssss,tttt,vvvv,wwwwww,yyyy,zzzz,kkkkk,gggggg,hhhhhh,jjjjj,kkkkk,mmmmmm,nnnnnn  
**Notes:** Serial number J35214 and higher

---

**Type:** DC **Manufacturer:** Wilkins **Model:** 350  
**Size:** 8 **Orientation:** H **Meters:**  
**Manual:** 9 **0.25% Pb:** No **Spare Parts Only:** No  
**Approved:** 08-Mar-2002 **Renewed:** 08-Mar-2020 **Bypass:**  
**Shutoffs:**  
(gg),ee,ff,hh,ll,mm,tt,uu,yy,zz,ppp,qqq,vvv,www,zzz,dddd,eeee,ssss,tttt,vvvv,wwwwww,yyyy,zzzz,kkkkk,gggggg,hhhhhh,jjjjj,k  
kkkkk,mmmmmm,nnnnnn  
**Notes:** Up to serial number J35214

---

**Type:** DC **Manufacturer:** Wilkins **Model:** 350  
**Size:** 8 **Orientation:** H **Meters:**  
**Manual:** 9 **0.25% Pb:** Yes **Spare Parts Only:** No  
**Approved:** 09-Sep-2010 **Renewed:** 09-Sep-2019 **Bypass:**  
**Shutoffs:** (gg),hh,ppp,qqq,vvv,www,ssss,tttt,vvvv,wwwwww,yyyy,zzzz,kkkkk,gggggg,hhhhhh,jjjjj,kkkkk,mmmmmm,nnnnnn  
**Notes:** Serial number J35214 and higher

---

**Type:** DC **Manufacturer:** Wilkins **Model:** 350  
**Size:** 8 **Orientation:** VU **Meters:**  
**Manual:** 9 **0.25% Pb:** No **Spare Parts Only:** No  
**Approved:** 16-Jan-2003 **Renewed:** 16-Jan-2021 **Bypass:**  
**Shutoffs:**  
(gg),ee,ff,hh,ll,mm,tt,uu,yy,zz,ppp,qqq,vvv,www,zzz,dddd,eeee,ssss,tttt,vvvv,wwwwww,yyyy,zzzz,kkkkk,gggggg,hhhhhh,jjjjj,k  
kkkkk,mmmmmm,nnnnnn  
**Notes:** Up to serial number J35214

**Type:** DC   **Manufacturer:** Wilkins   **Model:** 350  
**Size:** 8   **Orientation:** VU   **Meters:**  
**Manual:** 9   **0.25% Pb:** Yes   **Spare Parts Only:** No  
**Approved:** 09-Sep-2010   **Renewed:** 09-Sep-2019   **Bypass:**  
**Shutoffs:** (gg),hh,ppp,qqq,vvv,www,ssss,tttt,vvvv,wwwwww,yyyy,zzzz,kkkkk,gggggg,hhhhhh,jjjjjj,kkkkkk,mmmmmm,nnnnnn  
**Notes:** Serial number J35214 and higher

---

**Type:** DC   **Manufacturer:** Wilkins   **Model:** 350  
**Size:** 10   **Orientation:** H   **Meters:**  
**Manual:** 9   **0.25% Pb:** No   **Spare Parts Only:** No  
**Approved:** 28-Aug-2002   **Renewed:** 28-Aug-2020   **Bypass:**  
**Shutoffs:**  
 (gg),ee,ff,hh,ll,mm,tt,uu,yy,zz,ppp,qqq,vvv,www,zzz,dddd,eeee,ssss,tttt,vvvv,wwwwww,yyyy,zzzz,kkkkk,gggggg,hhhhhh,jjjjj,k  
 kkkkk,mmmmmm,nnnnnn  
**Notes:** Up to serial number J35214

---

**Type:** DC   **Manufacturer:** Wilkins   **Model:** 350  
**Size:** 10   **Orientation:** H   **Meters:**  
**Manual:** 9   **0.25% Pb:** Yes   **Spare Parts Only:** No  
**Approved:** 09-Sep-2010   **Renewed:** 09-Sep-2019   **Bypass:**  
**Shutoffs:** (gg),hh,ppp,qqq,vvv,www,ssss,tttt,vvvv,wwwwww,yyyy,zzzz,kkkkk,gggggg,hhhhhh,jjjjjj,kkkkkk,mmmmmm,nnnnnn  
**Notes:** Serial number J35214 and higher

---

**Type:** DC   **Manufacturer:** Wilkins   **Model:** 350  
**Size:** 10   **Orientation:** VU   **Meters:**  
**Manual:** 9   **0.25% Pb:** No   **Spare Parts Only:** No  
**Approved:** 14-Mar-2003   **Renewed:** 14-Mar-2021   **Bypass:**  
**Shutoffs:**  
 (gg),ee,ff,hh,ll,mm,tt,uu,yy,zz,ppp,qqq,vvv,www,zzz,dddd,eeee,ssss,tttt,vvvv,wwwwww,yyyy,zzzz,kkkkk,gggggg,hhhhhh,jjjjj,k  
 kkkkk,mmmmmm,nnnnnn  
**Notes:** Up to serial number J35214

---

**Type:** DC   **Manufacturer:** Wilkins   **Model:** 350  
**Size:** 10   **Orientation:** VU   **Meters:**  
**Manual:** 9   **0.25% Pb:** Yes   **Spare Parts Only:** No  
**Approved:** 09-Sep-2010   **Renewed:** 09-Sep-2019   **Bypass:**  
**Shutoffs:** (gg),hh,ppp,qqq,vvv,www,ssss,tttt,vvvv,wwwwww,yyyy,zzzz,kkkkk,gggggg,hhhhhh,jjjjjj,kkkkkk,mmmmmm,nnnnnn  
**Notes:** Serial number J35214 and higher

**Type:** DC                                   **Manufacturer:** Wilkins                                   **Model:** 350  
**Size:** 12                                   **Orientation:** H                                   **Meters:**  
**Manual:** 9                                   **0.25% Pb:** No                                   **Spare Parts Only:** No  
**Approved:** 10-Feb-2009                                   **Renewed:** 10-Feb-2021                                   **Bypass:**  
**Shutoffs:** (hh),ssss,tttt,vvvv,www,yyyy,zzzz,kkkkk,gggggg,hhhhhh,jjjjjj,kkkkkk,mmmmmm,nnnnnn  
**Notes:** Up to serial number J35214

---

**Type:** DC                                   **Manufacturer:** Wilkins                                   **Model:** 350  
**Size:** 12                                   **Orientation:** H                                   **Meters:**  
**Manual:** 9                                   **0.25% Pb:** Yes                                   **Spare Parts Only:** No  
**Approved:** 09-Sep-2010                                   **Renewed:** 09-Sep-2019                                   **Bypass:**  
**Shutoffs:** (hh),ssss,tttt,vvvv,www,yyyy,zzzz,kkkkk,gggggg,hhhhhh,jjjjjj,kkkkkk,mmmmmm,nnnnnn  
**Notes:** Serial number J35214 and higher

---

**Type:** DC                                   **Manufacturer:** Wilkins                                   **Model:** 350A  
**Size:** 2 1/2                                   **Orientation:** H                                   **Meters:**  
**Manual:** 9                                   **0.25% Pb:** No                                   **Spare Parts Only:** No  
**Approved:** 22-Jun-2005                                   **Renewed:** 22-Jun-2020                                   **Bypass:**  
**Shutoffs:**  
(ppp),sss,ttt,qqq,yyy,zzz,dddd,ssss,uuuu,vvvv,xxxx,yyyy,aaaaa,kkkkk,lllll,gggggg,iiiii,jjjjjj,lllll,mmmmmm,ooooo  
**Notes:** Up to serial number U26097

---

**Type:** DC                                   **Manufacturer:** Wilkins                                   **Model:** 350A  
**Size:** 2 1/2                                   **Orientation:** H                                   **Meters:**  
**Manual:** 9                                   **0.25% Pb:** Yes                                   **Spare Parts Only:** No  
**Approved:** 09-Sep-2010                                   **Renewed:** 09-Sep-2019                                   **Bypass:**  
**Shutoffs:** (ppp),qqq,sss,ttt,yyy,ssss,uuuu,vvvv,xxxx,yyyy,aaaaa,kkkkk,gggggg,iiiii,jjjjjj,lllll,mmmmmm,ooooo  
**Notes:** Serial number J35214 and higher

---

**Type:** DC                                   **Manufacturer:** Wilkins                                   **Model:** 350A  
**Size:** 2 1/2                                   **Orientation:** VU                                   **Meters:**  
**Manual:** 9                                   **0.25% Pb:** No                                   **Spare Parts Only:** No  
**Approved:** 22-Jun-2005                                   **Renewed:** 22-Jun-2020                                   **Bypass:**  
**Shutoffs:**  
(ppp),sss,ttt,qqq,yyy,zzz,dddd,ssss,uuuu,vvvv,xxxx,yyyy,aaaaa,kkkkk,lllll,gggggg,iiiii,jjjjjj,lllll,mmmmmm,ooooo  
**Notes:** Up to serial number U26097

**Type:** DC **Manufacturer:** Wilkins **Model:** 350A  
**Size:** 2 1/2 **Orientation:** VU **Meters:**  
**Manual:** 9 **0.25% Pb:** Yes **Spare Parts Only:** No  
**Approved:** 09-Sep-2010 **Renewed:** 09-Sep-2019 **Bypass:**  
**Shutoffs:** (ppp),qqq,sss,ttt,yyy,ssss,uuuu,vvvv,xxxx,yyyy,aaaaa,kkkkk,gggggg,iiiii,jjjjjj,lllll,mmmmmm,oooooo  
**Notes:** Serial number U26097 and higher

---

**Type:** DC **Manufacturer:** Wilkins **Model:** 350A  
**Size:** 3 **Orientation:** H **Meters:**  
**Manual:** 9 **0.25% Pb:** No **Spare Parts Only:** No  
**Approved:** 22-Jun-2005 **Renewed:** 22-Jun-2020 **Bypass:**  
**Shutoffs:**  
(ppp),sss,ttt,qqq,yyy,zzz,dddd,ssss,uuuu,vvvv,xxxx,yyyy,aaaaa,kkkkk,lllll,gggggg,iiiii,jjjjjj,lllll,mmmmmm,oooooo  
**Notes:** Up to serial number U26097

---

**Type:** DC **Manufacturer:** Wilkins **Model:** 350A  
**Size:** 3 **Orientation:** H **Meters:**  
**Manual:** 9 **0.25% Pb:** Yes **Spare Parts Only:** No  
**Approved:** 09-Sep-2010 **Renewed:** 09-Sep-2019 **Bypass:**  
**Shutoffs:** (ppp),qqq,sss,ttt,yyy,ssss,uuuu,vvvv,xxxx,yyyy,aaaaa,kkkkk,lllll,gggggg,iiiii,jjjjjj,lllll,mmmmmm,oooooo  
**Notes:** Serial number U26097 and higher

---

**Type:** DC **Manufacturer:** Wilkins **Model:** 350A  
**Size:** 3 **Orientation:** VU **Meters:**  
**Manual:** 9 **0.25% Pb:** No **Spare Parts Only:** No  
**Approved:** 22-Jun-2005 **Renewed:** 22-Jun-2020 **Bypass:**  
**Shutoffs:**  
(ppp),sss,ttt,qqq,yyy,zzz,dddd,ssss,uuuu,vvvv,xxxx,yyyy,aaaaa,kkkkk,lllll,gggggg,iiiii,jjjjjj,lllll,mmmmmm,oooooo  
**Notes:** Up to serial number U26097

---

**Type:** DC **Manufacturer:** Wilkins **Model:** 350A  
**Size:** 3 **Orientation:** VU **Meters:**  
**Manual:** 9 **0.25% Pb:** Yes **Spare Parts Only:** No  
**Approved:** 09-Sep-2010 **Renewed:** 09-Sep-2019 **Bypass:**  
**Shutoffs:** (ppp),qqq,sss,ttt,yyy,ssss,uuuu,vvvv,xxxx,yyyy,aaaaa,kkkkk,lllll,gggggg,iiiii,jjjjjj,lllll,mmmmmm,oooooo  
**Notes:** Serial number U26097 and higher

**Type:** DC                                   **Manufacturer:** Wilkins                                   **Model:** 350A  
**Size:** 4                                       **Orientation:** H   **Meters:**  
**Manual:** 9                                   **0.25% Pb:** No   **Spare Parts Only:** No  
**Approved:** 16-Mar-2004                                   **Renewed:** 16-Mar-2022                                   **Bypass:**  
**Shutoffs:**  
(ppp),qqq,sss,ttt,www,yyy,zzz,dddd,eeee,ssss,uuuu,vvvv,xxxx,yyyy,aaaaa,kkkkk,lllll,gggggg,iiiiii,jjjjjj,llllll,mmmmmm,ooooo  
o  
**Notes:** Up to serial number U26097

---

**Type:** DC                                   **Manufacturer:** Wilkins                                   **Model:** 350A  
**Size:** 4                                       **Orientation:** H   **Meters:**  
**Manual:** 9                                   **0.25% Pb:** Yes   **Spare Parts Only:** No  
**Approved:** 09-Sep-2010                                   **Renewed:** 09-Sep-2019                                   **Bypass:**  
**Shutoffs:** (ppp),qqq,sss,ttt,yyy,ssss,uuuu,vvvv,xxxx,yyyy,aaaaa,kkkkk,lllll,gggggg,iiiiii,jjjjjj,llllll,mmmmmm,ooooo  
**Notes:** Serial number U26097 and higher

---

**Type:** DC                                   **Manufacturer:** Wilkins                                   **Model:** 350A  
**Size:** 4                                       **Orientation:** VU   **Meters:**  
**Manual:** 9                                   **0.25% Pb:** No   **Spare Parts Only:** No  
**Approved:** 16-Mar-2004                                   **Renewed:** 16-Mar-2022                                   **Bypass:**  
**Shutoffs:**  
(ppp),qqq,sss,ttt,www,yyy,zzz,dddd,eeee,ssss,uuuu,vvvv,xxxx,yyyy,aaaaa,kkkkk,lllll,gggggg,iiiiii,jjjjjj,llllll,mmmmmm,ooooo  
o  
**Notes:** Up to serial number U26097

---

**Type:** DC                                   **Manufacturer:** Wilkins                                   **Model:** 350A  
**Size:** 4                                       **Orientation:** VU   **Meters:**  
**Manual:** 9                                   **0.25% Pb:** Yes   **Spare Parts Only:** No  
**Approved:** 09-Sep-2010                                   **Renewed:** 09-Sep-2019                                   **Bypass:**  
**Shutoffs:** (ppp),qqq,sss,ttt,yyy,ssss,uuuu,vvvv,xxxx,yyyy,aaaaa,kkkkk,lllll,gggggg,iiiiii,jjjjjj,llllll,mmmmmm,ooooo  
**Notes:** Serial number U26097 and higher

---

**Type:** DC                                   **Manufacturer:** Wilkins                                   **Model:** 350A  
**Size:** 6                                       **Orientation:** H   **Meters:**  
**Manual:** 9                                   **0.25% Pb:** No   **Spare Parts Only:** No  
**Approved:** 25-Nov-2003                                   **Renewed:** 25-Nov-2021                                   **Bypass:**  
**Shutoffs:**  
(ppp),qqq,sss,ttt,www,yyy,zzz,dddd,eeee,ssss,uuuu,vvvv,xxxx,yyyy,aaaaa,kkkkk,lllll,gggggg,iiiiii,jjjjjj,llllll,mmmmmm,ooooo  
o  
**Notes:** Up to serial number U26097



**Type:** DC                                      **Manufacturer:** Wilkins                                      **Model:** 350A  
**Size:** 6    **Orientation:** H    **Meters:**  
**Manual:** 9    **0.25% Pb:** Yes    **Spare Parts Only:** No  
**Approved:** 09-Sep-2010                                      **Renewed:** 09-Sep-2019                                      **Bypass:**  
**Shutoffs:** (ppp),qqq,sss,ttt,yyy,ssss,uuuu,vvvv,xxxx,yyyy,aaaaa,kkkkk,lllll,gggggg,iiiiii,jjjjj,lllll,mmmmmm,ooooo  
**Notes:** Serial number U26097 and higher

---

**Type:** DC                                      **Manufacturer:** Wilkins                                      **Model:** 350A  
**Size:** 6    **Orientation:** VU    **Meters:**  
**Manual:** 9    **0.25% Pb:** No    **Spare Parts Only:** No  
**Approved:** 25-Nov-2003                                      **Renewed:** 25-Nov-2021                                      **Bypass:**  
**Shutoffs:**  
(ppp),qqq,sss,ttt,www,yyy,zzz,dddd,eeee,ssss,uuuu,vvvv,xxxx,yyyy,aaaaa,kkkkk,lllll,gggggg,iiiiii,jjjjj,lllll,mmmmmm,ooooo  
o  
**Notes:** Up to serial number U26097

---

**Type:** DC                                      **Manufacturer:** Wilkins                                      **Model:** 350A  
**Size:** 6    **Orientation:** VU    **Meters:**  
**Manual:** 9    **0.25% Pb:** Yes    **Spare Parts Only:** No  
**Approved:** 09-Sep-2010                                      **Renewed:** 09-Sep-2019                                      **Bypass:**  
**Shutoffs:** (ppp),qqq,sss,ttt,yyy,ssss,uuuu,vvvv,xxxx,yyyy,aaaaa,kkkkk,lllll,gggggg,iiiiii,jjjjj,lllll,mmmmmm,ooooo  
**Notes:** Serial number U26097 and higher

---

**Type:** DC                                      **Manufacturer:** Wilkins                                      **Model:** 350A  
**Size:** 8    **Orientation:** H    **Meters:**  
**Manual:** 9    **0.25% Pb:** No    **Spare Parts Only:** No  
**Approved:** 12-Feb-2004                                      **Renewed:** 12-Feb-2022                                      **Bypass:**  
**Shutoffs:**  
(ppp),qqq,sss,ttt,www,yyy,zzz,dddd,eeee,ssss,uuuu,vvvv,xxxx,yyyy,aaaaa,kkkkk,lllll,gggggg,iiiiii,jjjjj,lllll,mmmmmm,ooooo  
o  
**Notes:** Up to serial number U26097

---

**Type:** DC                                      **Manufacturer:** Wilkins                                      **Model:** 350A  
**Size:** 8    **Orientation:** H    **Meters:**  
**Manual:** 9    **0.25% Pb:** Yes    **Spare Parts Only:** No  
**Approved:** 09-Sep-2010                                      **Renewed:** 09-Sep-2019                                      **Bypass:**  
**Shutoffs:** (ppp),qqq,sss,ttt,yyy,ssss,uuuu,vvvv,xxxx,yyyy,aaaaa,kkkkk,lllll,gggggg,iiiiii,jjjjj,lllll,mmmmmm,ooooo  
**Notes:** Serial number U26097 and higher

**Type:** DC                                   **Manufacturer:** Wilkins                                   **Model:** 350A  
**Size:** 8                                   **Orientation:** VU                                   **Meters:**  
**Manual:** 9                                   **0.25% Pb:** No                                   **Spare Parts Only:** No  
**Approved:** 12-Feb-2004                                   **Renewed:** 12-Feb-2022                                   **Bypass:**  
**Shutoffs:**  
(ppp),qqq,sss,ttt,www,yyy,zzz,dddd,eeee,ssss,uuuu,vvvv,xxxx,yyyy,aaaaa,kkkkk,l,llll,gggggg,iiiiii,jjjjjj,llllll,mmmmmm,ooooo  
o  
**Notes:** Up to serial number U26097

---

**Type:** DC                                   **Manufacturer:** Wilkins                                   **Model:** 350A  
**Size:** 8                                   **Orientation:** VU                                   **Meters:**  
**Manual:** 9                                   **0.25% Pb:** Yes                                   **Spare Parts Only:** No  
**Approved:** 09-Sep-2010                                   **Renewed:** 09-Sep-2019                                   **Bypass:**  
**Shutoffs:** (ppp),qqq,sss,ttt,yyy,ssss,uuuu,vvvv,xxxx,yyyy,aaaaa,kkkkk,l,llll,gggggg,iiiiii,jjjjjj,llllll,mmmmmm,oooooo  
**Notes:** Serial number U26097 and higher

---

**Type:** DC                                   **Manufacturer:** Wilkins                                   **Model:** 350A  
**Size:** 10                                   **Orientation:** H                                   **Meters:**  
**Manual:** 9                                   **0.25% Pb:** No                                   **Spare Parts Only:** No  
**Approved:** 06-Apr-2006                                   **Renewed:** 06-Apr-2021                                   **Bypass:**  
**Shutoffs:** (ppp),qqq,sss,ttt,yyy,ssss,uuuu,vvvv,xxxx,yyyy,aaaaa,kkkkk,l,llll,gggggg,iiiiii,jjjjjj,llllll,mmmmmm,oooooo  
**Notes:** Up to serial number U26097

---

**Type:** DC                                   **Manufacturer:** Wilkins                                   **Model:** 350A  
**Size:** 10                                   **Orientation:** H                                   **Meters:**  
**Manual:** 9                                   **0.25% Pb:** Yes                                   **Spare Parts Only:** No  
**Approved:** 09-Sep-2010                                   **Renewed:** 09-Sep-2019                                   **Bypass:**  
**Shutoffs:** (ppp),qqq,sss,ttt,yyy,ssss,uuuu,vvvv,xxxx,yyyy,aaaaa,kkkkk,l,llll,gggggg,iiiiii,jjjjjj,llllll,mmmmmm,oooooo  
**Notes:** Serial number U26097 and higher

---

**Type:** DC                                   **Manufacturer:** Wilkins                                   **Model:** 350A  
**Size:** 10                                   **Orientation:** VU                                   **Meters:**  
**Manual:** 9                                   **0.25% Pb:** No                                   **Spare Parts Only:** No  
**Approved:** 06-Apr-2006                                   **Renewed:** 06-Apr-2021                                   **Bypass:**  
**Shutoffs:** (ppp),qqq,sss,ttt,yyy,ssss,uuuu,vvvv,xxxx,yyyy,aaaaa,kkkkk,l,llll,gggggg,iiiiii,jjjjjj,llllll,mmmmmm,oooooo  
**Notes:** Up to serial number U26097

**Type:** DC                                 **Manufacturer:** Wilkins                                 **Model:** 350A  
**Size:** 10                                     **Orientation:** VU   **Meters:**  
**Manual:** 9                                   **0.25% Pb:** Yes   **Spare Parts Only:** No  
**Approved:** 09-Sep-2010                   **Renewed:** 09-Sep-2019   **Bypass:**  
**Shutoffs:** (ppp),qqq,sss,ttt,yyy,ssss,uuuu,vvvv,xxxx,yyyy,aaaaa,kkkkk,l,llll,gggggg,iiiiii,jjjjjj,llllll,mmmmmm,oooooo  
**Notes:** Serial number U26097 and higher

---

**Type:** DC                                 **Manufacturer:** Wilkins                                 **Model:** 350AR  
**Size:** 2 1/2                                   **Orientation:** H   **Meters:**  
**Manual:** 9                                   **0.25% Pb:** No   **Spare Parts Only:** No  
**Approved:** 16-Jun-2010                   **Renewed:** 16-Jun-2022   **Bypass:**  
**Shutoffs:**  
(ppp),sss,ttt,qqq,yyy,zzz,dddd,ssss,uuuu,vvvv,xxxx,yyyy,aaaaa,kkkkk,l,llll,gggggg,iiiiii,jjjjjj,llllll,mmmmmm,oooooo  
**Notes:** Integral grooved spool between the #2 ck and #2 SOV - assembly length: min. 34 1/4" and max. 47 1/8" Up to serial number U26097

---

**Type:** DC                                 **Manufacturer:** Wilkins                                 **Model:** 350AR  
**Size:** 2 1/2                                   **Orientation:** H   **Meters:**  
**Manual:** 9                                   **0.25% Pb:** Yes   **Spare Parts Only:** No  
**Approved:** 09-Sep-2010                   **Renewed:** 09-Sep-2019   **Bypass:**  
**Shutoffs:**  
(ppp),sss,ttt,qqq,yyy,zzz,dddd,ssss,uuuu,vvvv,xxxx,yyyy,aaaaa,kkkkk,l,llll,gggggg,iiiiii,jjjjjj,llllll,mmmmmm,oooooo  
**Notes:** Only Serial No. C00102 and higher approved. These have an Integral grooved spool between the #2 ck and #2 SOV with length: min. 34 1/4" and max. 47 1/8"

---

**Type:** DC                                 **Manufacturer:** Wilkins                                 **Model:** 350AR  
**Size:** 2 1/2                                   **Orientation:** VU   **Meters:**  
**Manual:** 9                                   **0.25% Pb:** No   **Spare Parts Only:** No  
**Approved:** 16-Jun-2010                   **Renewed:** 16-Jun-2022   **Bypass:**  
**Shutoffs:**  
(ppp),sss,ttt,qqq,yyy,zzz,dddd,ssss,uuuu,vvvv,xxxx,yyyy,aaaaa,kkkkk,l,llll,gggggg,iiiiii,jjjjjj,llllll,mmmmmm,oooooo  
**Notes:** Only Serial No. C00102 and higher approved. These have an Integral grooved spool between the #2 ck and #2 SOV with length: min. 34 1/4" and max. 47 1/8"

---

**Type:** DC                                 **Manufacturer:** Wilkins                                 **Model:** 350AR  
**Size:** 2 1/2                                   **Orientation:** VU   **Meters:**  
**Manual:** 9                                   **0.25% Pb:** Yes   **Spare Parts Only:** No  
**Approved:** 09-Sep-2010                   **Renewed:** 09-Sep-2019   **Bypass:**  
**Shutoffs:**  
(ppp),sss,ttt,qqq,yyy,zzz,dddd,ssss,uuuu,vvvv,xxxx,yyyy,aaaaa,kkkkk,l,llll,gggggg,iiiiii,jjjjjj,llllll,mmmmmm,oooooo  
**Notes:** Only Serial No. C00102 and higher approved. These have an Integral grooved spool between the #2 ck and #2 SOV with length: min. 34 1/4" and max. 47 1/8"

**Type:** DC                                      **Manufacturer:** Wilkins                                      **Model:** 350AR  
**Size:** 3    **Orientation:** H    **Meters:**  
**Manual:** 9    **0.25% Pb:** No    **Spare Parts Only:** No  
**Approved:** 16-Jun-2010                                      **Renewed:** 16-Jun-2022                                      **Bypass:**

**Shutoffs:**

(ppp),sss,ttt,qqq,yyy,zzz,dddd,ssss,uuuu,vvvv,xxxx,yyyy,aaaaa,kkkkk,lllll,gggggg,iiiiii,jjjjjj,llllll,mmmmmm,ooooo

**Notes:** Only Serial No. C00102 and higher approved. These have an Integral grooved spool between the #2 ck and #2 SOV with length: min. 34 3/4" and max. 48 1/8"

---

**Type:** DC                                      **Manufacturer:** Wilkins                                      **Model:** 350AR  
**Size:** 3    **Orientation:** H    **Meters:**  
**Manual:** 9    **0.25% Pb:** Yes    **Spare Parts Only:** No  
**Approved:** 09-Sep-2010                                      **Renewed:** 09-Sep-2019                                      **Bypass:**

**Shutoffs:**

(ppp),sss,ttt,qqq,yyy,zzz,dddd,ssss,uuuu,vvvv,xxxx,yyyy,aaaaa,kkkkk,lllll,gggggg,iiiiii,jjjjjj,llllll,mmmmmm,ooooo

**Notes:** Only Serial No. C00102 and higher approved. These have an Integral grooved spool between the #2 ck and #2 SOV with length: min. 34 3/4" and max. 48 1/8"

---

**Type:** DC                                      **Manufacturer:** Wilkins                                      **Model:** 350AR  
**Size:** 3    **Orientation:** VU    **Meters:**  
**Manual:** 9    **0.25% Pb:** No    **Spare Parts Only:** No  
**Approved:** 16-Jun-2010                                      **Renewed:** 16-Jun-2022                                      **Bypass:**

**Shutoffs:**

(ppp),sss,ttt,qqq,yyy,zzz,dddd,ssss,uuuu,vvvv,xxxx,yyyy,aaaaa,kkkkk,lllll,gggggg,iiiiii,jjjjjj,llllll,mmmmmm,ooooo

**Notes:** Only Serial No. C00102 and higher approved. These have an Integral grooved spool between the #2 ck and #2 SOV with length: min. 35 3/4" and max. 62 1/4"

---

**Type:** DC                                      **Manufacturer:** Wilkins                                      **Model:** 350AR  
**Size:** 3    **Orientation:** VU    **Meters:**  
**Manual:** 9    **0.25% Pb:** Yes    **Spare Parts Only:** No  
**Approved:** 09-Sep-2010                                      **Renewed:** 09-Sep-2019                                      **Bypass:**

**Shutoffs:**

(ppp),sss,ttt,qqq,yyy,zzz,dddd,ssss,uuuu,vvvv,xxxx,yyyy,aaaaa,kkkkk,lllll,gggggg,iiiiii,jjjjjj,llllll,mmmmmm,ooooo

**Notes:** Only Serial No. C00102 and higher approved. These have an Integral grooved spool between the #2 ck and #2 SOV with length: min. 34 3/4" and max. 48 1/8"

<b>Type:</b> DC	<b>Manufacturer:</b> Wilkins	<b>Model:</b> 350AR
<b>Size:</b> 4	<b>Orientation:</b> H	<b>Meters:</b>
<b>Manual:</b> 9	<b>0.25% Pb:</b> No	<b>Spare Parts Only:</b> No
<b>Approved:</b> 25-Mar-2010	<b>Renewed:</b> 25-Mar-2022	<b>Bypass:</b>

**Shutoffs:**  
(ppp),qqq,sss,ttt,www,yyy,zzz,dddd,eeee,ssss,uuuu,vvvv,xxxx,yyyy,aaaaa,kkkkk,lllll,gggggg,iiiiii,jjjjj,lllll,mmmmmm,ooooo  
o

**Notes:** Only Serial No. C00102 and higher approved. These have an Integral grooved spool between the #2 ck and #2 SOV with length: min. 42 1/2" and max. 71 1/4"

---

<b>Type:</b> DC	<b>Manufacturer:</b> Wilkins	<b>Model:</b> 350AR
<b>Size:</b> 4	<b>Orientation:</b> H	<b>Meters:</b>
<b>Manual:</b> 9	<b>0.25% Pb:</b> Yes	<b>Spare Parts Only:</b> No
<b>Approved:</b> 09-Sep-2010	<b>Renewed:</b> 09-Sep-2019	<b>Bypass:</b>

**Shutoffs:**  
(ppp),qqq,sss,ttt,www,yyy,zzz,dddd,eeee,ssss,uuuu,vvvv,xxxx,yyyy,aaaaa,kkkkk,lllll,gggggg,iiiiii,jjjjj,lllll,mmmmmm,ooooo  
o

**Notes:** Only Serial No. C00102 and higher approved. These have an Integral grooved spool between the #2 ck and #2 SOV with length: min. 35 3/4" and max. 62 1/4"

---

<b>Type:</b> DC	<b>Manufacturer:</b> Wilkins	<b>Model:</b> 350AR
<b>Size:</b> 4	<b>Orientation:</b> VU	<b>Meters:</b>
<b>Manual:</b> 9	<b>0.25% Pb:</b> No	<b>Spare Parts Only:</b> No
<b>Approved:</b> 25-Mar-2010	<b>Renewed:</b> 25-Mar-2022	<b>Bypass:</b>

**Shutoffs:**  
(ppp),qqq,sss,ttt,www,yyy,zzz,dddd,eeee,ssss,uuuu,vvvv,xxxx,yyyy,aaaaa,kkkkk,lllll,gggggg,iiiiii,jjjjj,lllll,mmmmmm,ooooo  
o

**Notes:** Only Serial No. C00102 and higher approved. These have an Integral grooved spool between the #2 ck and #2 SOV with length: min. 57 7/8" and max. 86"

---

<b>Type:</b> DC	<b>Manufacturer:</b> Wilkins	<b>Model:</b> 350AR
<b>Size:</b> 4	<b>Orientation:</b> VU	<b>Meters:</b>
<b>Manual:</b> 9	<b>0.25% Pb:</b> Yes	<b>Spare Parts Only:</b> No
<b>Approved:</b> 09-Sep-2010	<b>Renewed:</b> 09-Sep-2019	<b>Bypass:</b>

**Shutoffs:**  
(ppp),qqq,sss,ttt,www,yyy,zzz,dddd,eeee,ssss,uuuu,vvvv,xxxx,yyyy,aaaaa,kkkkk,lllll,gggggg,iiiiii,jjjjj,lllll,mmmmmm,ooooo  
o

**Notes:** Only Serial No. C00102 and higher approved. These have an Integral grooved spool between the #2 ck and #2 SOV with length: min. 35 3/4" and max. 62 1/4"

<b>Type:</b> DC	<b>Manufacturer:</b> Wilkins	<b>Model:</b> 350AR
<b>Size:</b> 6	<b>Orientation:</b> H	<b>Meters:</b>
<b>Manual:</b> 9	<b>0.25% Pb:</b> No	<b>Spare Parts Only:</b> No
<b>Approved:</b> 25-Mar-2010	<b>Renewed:</b> 25-Mar-2022	<b>Bypass:</b>
<b>Shutoffs:</b>		
(ppp),qqq,sss,ttt,www,yyy,zzz,dddd,eeee,ssss,uuuu,vvvv,xxxx,yyyy,aaaaa,kkkkk,lllll,gggggg,iiiiii,jjjjjj,llllll,mmmmmm,ooooo o		
<b>Notes:</b> Only Serial No. C00102 and higher approved. These have an Integral grooved spool between the #2 ck and #2 SOV with length: min. 61 3/8" and max. 100 5/8"		

---

<b>Type:</b> DC	<b>Manufacturer:</b> Wilkins	<b>Model:</b> 350AR
<b>Size:</b> 6	<b>Orientation:</b> H	<b>Meters:</b>
<b>Manual:</b> 9	<b>0.25% Pb:</b> Yes	<b>Spare Parts Only:</b> No
<b>Approved:</b> 09-Sep-2010	<b>Renewed:</b> 09-Sep-2019	<b>Bypass:</b>
<b>Shutoffs:</b>		
(ppp),qqq,sss,ttt,www,yyy,zzz,dddd,eeee,ssss,uuuu,vvvv,xxxx,yyyy,aaaaa,kkkkk,lllll,gggggg,iiiiii,jjjjjj,llllll,mmmmmm,ooooo o		
<b>Notes:</b> Only Serial No. C00102 and higher approved. These have an Integral grooved spool between the #2 ck and #2 SOV with length: min. 42 1/2" and max. 71 1/4"		

---

<b>Type:</b> DC	<b>Manufacturer:</b> Wilkins	<b>Model:</b> 350AR
<b>Size:</b> 6	<b>Orientation:</b> VU	<b>Meters:</b>
<b>Manual:</b> 9	<b>0.25% Pb:</b> No	<b>Spare Parts Only:</b> No
<b>Approved:</b> 25-Mar-2010	<b>Renewed:</b> 25-Mar-2022	<b>Bypass:</b>
<b>Shutoffs:</b>		
(ppp),qqq,sss,ttt,www,yyy,zzz,dddd,eeee,ssss,uuuu,vvvv,xxxx,yyyy,aaaaa,kkkkk,lllll,gggggg,iiiiii,jjjjjj,llllll,mmmmmm,ooooo o		
<b>Notes:</b> Only Serial No. C00102 and higher approved. These have an Integral grooved spool between the #2 ck and #2 SOV with length: min. 34 1/4" and max. 47 1/8"		

---

<b>Type:</b> DC	<b>Manufacturer:</b> Wilkins	<b>Model:</b> 350AR
<b>Size:</b> 6	<b>Orientation:</b> VU	<b>Meters:</b>
<b>Manual:</b> 9	<b>0.25% Pb:</b> Yes	<b>Spare Parts Only:</b> No
<b>Approved:</b> 09-Sep-2010	<b>Renewed:</b> 09-Sep-2019	<b>Bypass:</b>
<b>Shutoffs:</b>		
(ppp),qqq,sss,ttt,www,yyy,zzz,dddd,eeee,ssss,uuuu,vvvv,xxxx,yyyy,aaaaa,kkkkk,lllll,gggggg,iiiiii,jjjjjj,llllll,mmmmmm,ooooo o		
<b>Notes:</b> Only Serial No. C00102 and higher approved. These have an Integral grooved spool between the #2 ck and #2 SOV with length: min. 42 1/2" and max. 71 1/4"		

**Type:** DC                                       **Manufacturer:** Wilkins                                       **Model:** 350AR  
**Size:** 8   **Orientation:** H   **Meters:**  
**Manual:** 9   **0.25% Pb:** No   **Spare Parts Only:** No  
**Approved:** 25-Mar-2010                                       **Renewed:** 25-Mar-2022                                       **Bypass:**  
**Shutoffs:**  
(ppp),qqq,sss,ttt,www,yyy,zzz,dddd,eeee,ssss,uuuu,vvvv,xxxx,yyyy,aaaaa,kkkkk,l,llll,gggggg,iiiiii,jjjjj,lllll,mmmmmm,oooo  
o  
**Notes:** Only Serial No. C00102 and higher approved. These have an Integral grooved spool between the #2 ck and #2 SOV with length: min. 34 1/4" and max. 47 1/8"

---

**Type:** DC                                       **Manufacturer:** Wilkins                                       **Model:** 350AR  
**Size:** 8   **Orientation:** H   **Meters:**  
**Manual:** 9   **0.25% Pb:** Yes   **Spare Parts Only:** No  
**Approved:** 09-Sep-2010                                       **Renewed:** 09-Sep-2019                                       **Bypass:**  
**Shutoffs:**  
(ppp),qqq,sss,ttt,www,yyy,zzz,dddd,eeee,ssss,uuuu,vvvv,xxxx,yyyy,aaaaa,kkkkk,l,llll,gggggg,iiiiii,jjjjj,lllll,mmmmmm,oooo  
o  
**Notes:** Only Serial No. C00102 and higher approved. These have an Integral grooved spool between the #2 ck and #2 SOV with length: min. 57 7/8" and max. 86"

---

**Type:** DC                                       **Manufacturer:** Wilkins                                       **Model:** 350AR  
**Size:** 8   **Orientation:** VU   **Meters:**  
**Manual:** 9   **0.25% Pb:** No   **Spare Parts Only:** No  
**Approved:** 25-Mar-2010                                       **Renewed:** 25-Mar-2022                                       **Bypass:**  
**Shutoffs:**  
(ppp),qqq,sss,ttt,www,yyy,zzz,dddd,eeee,ssss,uuuu,vvvv,xxxx,yyyy,aaaaa,kkkkk,l,llll,gggggg,iiiiii,jjjjj,lllll,mmmmmm,oooo  
o  
**Notes:** Only Serial No. C00102 and higher approved. These have an Integral grooved spool between the #2 ck and #2 SOV with length: min. 34 1/4" and max. 47 1/8"

---

**Type:** DC                                       **Manufacturer:** Wilkins                                       **Model:** 350AR  
**Size:** 8   **Orientation:** VU   **Meters:**  
**Manual:** 9   **0.25% Pb:** Yes   **Spare Parts Only:** No  
**Approved:** 09-Sep-2010                                       **Renewed:** 09-Sep-2019                                       **Bypass:**  
**Shutoffs:**  
(ppp),qqq,sss,ttt,www,yyy,zzz,dddd,eeee,ssss,uuuu,vvvv,xxxx,yyyy,aaaaa,kkkkk,l,llll,gggggg,iiiiii,jjjjj,lllll,mmmmmm,oooo  
o  
**Notes:** Only Serial No. C00102 and higher approved. These have an Integral grooved spool between the #2 ck and #2 SOV with length: min. 57 7/8" and max. 86"

**Type:** DC **Manufacturer:** Wilkins **Model:** 350AR  
**Size:** 10 **Orientation:** H **Meters:**  
**Manual:** 9 **0.25% Pb:** No **Spare Parts Only:** No  
**Approved:** 25-Mar-2010 **Renewed:** 25-Mar-2022 **Bypass:**  
**Shutoffs:**  
(ppp),qqq,sss,ttt,www,yyy,zzz,dddd,eeee,ssss,uuuu,vvvv,xxxx,yyyy,aaaaa,kkkkk,l1lll,gggggg,iiiii,jjjjjj,lllll,mmmmmm,ooooo  
o  
**Notes:** Only Serial No. C00102 and higher approved. These have an Integral grooved spool between the #2 ck and #2 SOV with length: min. 34 1/4" and max. 47 1/8"

---

**Type:** DC **Manufacturer:** Wilkins **Model:** 350AR  
**Size:** 10 **Orientation:** H **Meters:**  
**Manual:** 9 **0.25% Pb:** Yes **Spare Parts Only:** No  
**Approved:** 09-Sep-2010 **Renewed:** 09-Sep-2019 **Bypass:**  
**Shutoffs:**  
(ppp),qqq,sss,ttt,www,yyy,zzz,dddd,eeee,ssss,uuuu,vvvv,xxxx,yyyy,aaaaa,kkkkk,l1lll,gggggg,iiiii,jjjjjj,lllll,mmmmmm,ooooo  
o  
**Notes:** Only Serial No. C00102 and higher approved. These have an Integral grooved spool between the #2 ck and #2 SOV with length: min. 61 3/8" and max. 100 5/8"

---

**Type:** DC **Manufacturer:** Wilkins **Model:** 350AR  
**Size:** 10 **Orientation:** VU **Meters:**  
**Manual:** 9 **0.25% Pb:** No **Spare Parts Only:** No  
**Approved:** 25-Mar-2010 **Renewed:** 25-Mar-2022 **Bypass:**  
**Shutoffs:**  
(ppp),qqq,sss,ttt,www,yyy,zzz,dddd,eeee,ssss,uuuu,vvvv,xxxx,yyyy,aaaaa,kkkkk,l1lll,gggggg,iiiii,jjjjjj,lllll,mmmmmm,ooooo  
o  
**Notes:** Only Serial No. C00102 and higher approved. These have an Integral grooved spool between the #2 ck and #2 SOV with length: min. 34 1/4" and max. 47 1/8"

---

**Type:** DC **Manufacturer:** Wilkins **Model:** 350AR  
**Size:** 10 **Orientation:** VU **Meters:**  
**Manual:** 9 **0.25% Pb:** Yes **Spare Parts Only:** No  
**Approved:** 09-Sep-2010 **Renewed:** 09-Sep-2019 **Bypass:**  
**Shutoffs:**  
(ppp),qqq,sss,ttt,www,yyy,zzz,dddd,eeee,ssss,uuuu,vvvv,xxxx,yyyy,aaaaa,kkkkk,l1lll,gggggg,iiiii,jjjjjj,lllll,mmmmmm,ooooo  
o  
**Notes:** Only Serial No. C00102 and higher approved. These have an Integral grooved spool between the #2 ck and #2 SOV with length: min. 61 3/8" and max. 100 5/8"



<b>Type:</b> DC	<b>Manufacturer:</b> Wilkins	<b>Model:</b> 350ARXL
<b>Size:</b> 2 1/2	<b>Orientation:</b> H	<b>Meters:</b>
<b>Manual:</b> 9	<b>0.25% Pb:</b> Yes	<b>Spare Parts Only:</b> No
<b>Approved:</b> 05-Jun-2010	<b>Renewed:</b> 05-Jun-2022	<b>Bypass:</b>

**Shutoffs:** (gg),hh,ppp,qqq,ssss,tttt,vvvv,wwww,yyyy,zzzz

**Notes:** Only Serial No. C00102 and higher approved. These have an Integral grooved spool between the #2 ck and #2 SOV with length: min. 34 1/4" and max. 47 1/8"

---

<b>Type:</b> DC	<b>Manufacturer:</b> Wilkins	<b>Model:</b> 350ARXL
<b>Size:</b> 2 1/2	<b>Orientation:</b> VU	<b>Meters:</b>
<b>Manual:</b> 9	<b>0.25% Pb:</b> Yes	<b>Spare Parts Only:</b> No
<b>Approved:</b> 05-Jun-2010	<b>Renewed:</b> 05-Jun-2022	<b>Bypass:</b>

**Shutoffs:** (gg),hh,ppp,qqq,ssss,tttt,vvvv,wwww,yyyy,zzzz

**Notes:** Only Serial No. C00102 and higher approved. These have an Integral grooved spool between the #2 ck and #2 SOV with length: min. 34 3/4" and max. 48 1/8"

---

<b>Type:</b> DC	<b>Manufacturer:</b> Wilkins	<b>Model:</b> 350ARXL
<b>Size:</b> 3	<b>Orientation:</b> H	<b>Meters:</b>
<b>Manual:</b> 9	<b>0.25% Pb:</b> Yes	<b>Spare Parts Only:</b> No
<b>Approved:</b> 05-Jun-2010	<b>Renewed:</b> 05-Jun-2022	<b>Bypass:</b>

**Shutoffs:** (gg),hh,ppp,qqq,ssss,tttt,vvvv,wwww,yyyy,zzzz

**Notes:** Only Serial No. C00102 and higher approved. These have an Integral grooved spool between the #2 ck and #2 SOV with length: min. 34 3/4" and max. 48 1/8"

---

<b>Type:</b> DC	<b>Manufacturer:</b> Wilkins	<b>Model:</b> 350ARXL
<b>Size:</b> 3	<b>Orientation:</b> VU	<b>Meters:</b>
<b>Manual:</b> 9	<b>0.25% Pb:</b> Yes	<b>Spare Parts Only:</b> No
<b>Approved:</b> 05-Jun-2010	<b>Renewed:</b> 05-Jun-2022	<b>Bypass:</b>

**Shutoffs:** (gg),hh,ppp,qqq,vvv,www,ssss,tttt,vvvv,wwww,yyyy,zzzz

**Notes:** Only Serial No. C00102 and higher approved. These have an Integral grooved spool between the #2 ck and #2 SOV with length: min. 35 3/4" and max. 62 1/4"

---

<b>Type:</b> DC	<b>Manufacturer:</b> Wilkins	<b>Model:</b> 350ARXL
<b>Size:</b> 4	<b>Orientation:</b> H	<b>Meters:</b>
<b>Manual:</b> 9	<b>0.25% Pb:</b> Yes	<b>Spare Parts Only:</b> No
<b>Approved:</b> 05-Jun-2010	<b>Renewed:</b> 05-Jun-2022	<b>Bypass:</b>

**Shutoffs:** (gg),hh,ppp,qqq,vvv,www,ssss,tttt,vvvv,wwww,yyyy,zzzz

**Notes:** Only Serial No. C00102 and higher approved. These have an Integral grooved spool between the #2 ck and #2 SOV with length: min. 35 3/4" and max. 62 1/4"

**Type:** DC                                      **Manufacturer:** Wilkins                                      **Model:** 350ARXL  
**Size:** 4   **Orientation:** VU   **Meters:**  
**Manual:** 9                                       **0.25% Pb:** Yes                                       **Spare Parts Only:** No  
**Approved:** 05-Jun-2010                   **Renewed:** 05-Jun-2022                                   **Bypass:**  
**Shutoffs:** (gg),hh,ppp,qqq,vvv,www,ssss,tttt,vvvv,wwww,yyyy,zzzz  
**Notes:** Only Serial No. C00102 and higher approved. These have an Integral grooved spool between the #2 ck and #2 SOV with length: min. 42 1/2" and max. 71 1/4"

---

**Type:** DC                                      **Manufacturer:** Wilkins                                      **Model:** 350ARXL  
**Size:** 6   **Orientation:** H   **Meters:**  
**Manual:** 9                                       **0.25% Pb:** Yes                                       **Spare Parts Only:** No  
**Approved:** 05-Jun-2010                   **Renewed:** 05-Jun-2022                                   **Bypass:**  
**Shutoffs:** (gg),hh,ppp,qqq,vvv,www,ssss,tttt,vvvv,wwww,yyyy,zzzz  
**Notes:** Only Serial No. C00102 and higher approved. These have an Integral grooved spool between the #2 ck and #2 SOV with length: min. 42 1/2" and max. 71 1/4"

---

**Type:** DC                                      **Manufacturer:** Wilkins                                      **Model:** 350ARXL  
**Size:** 6   **Orientation:** VU   **Meters:**  
**Manual:** 9                                       **0.25% Pb:** Yes                                       **Spare Parts Only:** No  
**Approved:** 05-Jun-2010                   **Renewed:** 05-Jun-2022                                   **Bypass:**  
**Shutoffs:** (gg),hh,ppp,qqq,vvv,www,ssss,tttt,vvvv,wwww,yyyy,zzzz  
**Notes:** Only Serial No. C00102 and higher approved. These have an Integral grooved spool between the #2 ck and #2 SOV with length: min. 57 7/8" and max. 86"

---

**Type:** DC                                      **Manufacturer:** Wilkins                                      **Model:** 350ARXL  
**Size:** 8   **Orientation:** H   **Meters:**  
**Manual:** 9                                       **0.25% Pb:** Yes                                       **Spare Parts Only:** No  
**Approved:** 05-Jun-2010                   **Renewed:** 05-Jun-2022                                   **Bypass:**  
**Shutoffs:** (gg),hh,ppp,qqq,vvv,www,ssss,tttt,vvvv,wwww,yyyy,zzzz  
**Notes:** Only Serial No. C00102 and higher approved. These have an Integral grooved spool between the #2 ck and #2 SOV with length: min. 57 7/8" and max. 86"

---

**Type:** DC                                      **Manufacturer:** Wilkins                                      **Model:** 350ARXL  
**Size:** 8   **Orientation:** VU   **Meters:**  
**Manual:** 9                                       **0.25% Pb:** Yes                                       **Spare Parts Only:** No  
**Approved:** 05-Jun-2010                   **Renewed:** 05-Jun-2022                                   **Bypass:**  
**Shutoffs:** (gg),hh,ppp,qqq,vvv,www,ssss,tttt,vvvv,wwww,yyyy,zzzz  
**Notes:** Only Serial No. C00102 and higher approved. These have an Integral grooved spool between the #2 ck and #2 SOV with length: min. 61 3/8" and max. 100 5/8"

**Type:** DC    **Manufacturer:** Wilkins    **Model:** 350ARXL  
**Size:** 10    **Orientation:** H    **Meters:**  
**Manual:** 9    **0.25% Pb:** Yes    **Spare Parts Only:** No  
**Approved:** 05-Jun-2010    **Renewed:** 05-Jun-2022    **Bypass:**  
**Shutoffs:** (gg),hh,ppp,qqq,vvv,www,ssss,tttt,vvvv,wwww,yyyy,zzzz  
**Notes:** Only Serial No. C00102 and higher approved. These have an Integral grooved spool between the #2 ck and #2 SOV with length: min. 61 3/8" and max. 100 5/8"

---

**Type:** DC    **Manufacturer:** Wilkins    **Model:** 350ARXL  
**Size:** 10    **Orientation:** VU    **Meters:**  
**Manual:** 9    **0.25% Pb:** Yes    **Spare Parts Only:** No  
**Approved:** 05-Jun-2010    **Renewed:** 05-Jun-2022    **Bypass:**  
**Shutoffs:** (hh),ssss,tttt,xxxx,yyyy,zzzz,aaaaa  
**Notes:** Integral grooved spool between the #2 ck and #2 SOV - assembly length: min. 61 3/8" and max. 100 5/8"

---

**Type:** DC    **Manufacturer:** Wilkins    **Model:** 350AST  
**Size:** 2 1/2    **Orientation:** H    **Meters:**  
**Manual:** 10    **0.25% Pb:** Yes    **Spare Parts Only:** No  
**Approved:** 29-Nov-2011    **Renewed:** 29-Nov-2020    **Bypass:**  
**Shutoffs:** (ppp),qqq,yyy,ssss,uuuu,vvvv,xxxx,yyyy,aaaaa,kkkkk,lllll,gggggg,iiiiii,jjjjjj,llllll,mmmmmm,oooooooo

---

**Type:** DC    **Manufacturer:** Wilkins    **Model:** 350AST  
**Size:** 2 1/2    **Orientation:** VU    **Meters:**  
**Manual:** 10    **0.25% Pb:** Yes    **Spare Parts Only:** No  
**Approved:** 09-Nov-2012    **Renewed:** 09-Nov-2021    **Bypass:**  
**Shutoffs:** (ppp),qqq,yyy,ssss,uuuu,vvvv,xxxx,yyyy,aaaaa,kkkkk,lllll,gggggg,iiiiii,jjjjjj,llllll,mmmmmm,oooooooo

---

**Type:** DC    **Manufacturer:** Wilkins    **Model:** 350AST  
**Size:** 3    **Orientation:** H    **Meters:**  
**Manual:** 10    **0.25% Pb:** Yes    **Spare Parts Only:** No  
**Approved:** 29-Nov-2011    **Renewed:** 29-Nov-2020    **Bypass:**  
**Shutoffs:** (ppp),qqq,yyy,ssss,uuuu,vvvv,xxxx,yyyy,aaaaa,kkkkk,lllll,gggggg,iiiiii,jjjjjj,llllll,mmmmmm,oooooooo

---

**Type:** DC    **Manufacturer:** Wilkins    **Model:** 350AST  
**Size:** 3    **Orientation:** VU    **Meters:**  
**Manual:** 10    **0.25% Pb:** Yes    **Spare Parts Only:** No  
**Approved:** 09-Nov-2012    **Renewed:** 09-Nov-2021    **Bypass:**  
**Shutoffs:** (ppp),qqq,yyy,ssss,uuuu,vvvv,xxxx,yyyy,aaaaa,kkkkk,lllll,gggggg,iiiiii,jjjjjj,llllll,mmmmmm,oooooooo

**Type:** DC  
**Size:** 4  
**Manual:** 10  
**Approved:** 29-Nov-2011  
**Shutoffs:** (ppp),qqq,yyy,ssss,uuuu,vvvv,xxxx,yyyy,aaaaa,kkkkk,lllll,gggggg,iiiiii,jjjjjj,lllll,mmmmmm,oooooo

**Manufacturer:** Wilkins  
**Orientation:** H  
**0.25% Pb:** Yes  
**Renewed:** 29-Nov-2020

**Model:** 350AST  
**Meters:**  
**Spare Parts Only:** No  
**Bypass:**

---

**Type:** DC  
**Size:** 4  
**Manual:** 10  
**Approved:** 09-Nov-2012  
**Shutoffs:** (ppp),qqq,yyy,ssss,uuuu,vvvv,xxxx,yyyy,aaaaa,kkkkk,lllll,gggggg,iiiiii,jjjjjj,lllll,mmmmmm,oooooo

**Manufacturer:** Wilkins  
**Orientation:** VU  
**0.25% Pb:** Yes  
**Renewed:** 09-Nov-2021

**Model:** 350AST  
**Meters:**  
**Spare Parts Only:** No  
**Bypass:**

---

**Type:** DC  
**Size:** 6  
**Manual:** 10  
**Approved:** 27-Mar-2012  
**Shutoffs:** (yyy),ssss,uuuu,vvvv,xxxx,yyyy,aaaaa,kkkkk,lllll,gggggg,iiiiii,jjjjjj,lllll,mmmmmm,oooooo

**Manufacturer:** Wilkins  
**Orientation:** H  
**0.25% Pb:** Yes  
**Renewed:** 27-Mar-2021

**Model:** 350AST  
**Meters:**  
**Spare Parts Only:** No  
**Bypass:**

---

**Type:** DC  
**Size:** 6  
**Manual:** 10  
**Approved:** 24-Oct-2012  
**Shutoffs:** (yyy),ssss,uuuu,vvvv,xxxx,yyyy,aaaaa,kkkkk,lllll,gggggg,iiiiii,jjjjjj,lllll,mmmmmm,oooooo

**Manufacturer:** Wilkins  
**Orientation:** VU  
**0.25% Pb:** Yes  
**Renewed:** 24-Oct-2021

**Model:** 350AST  
**Meters:**  
**Spare Parts Only:** No  
**Bypass:**

---

**Type:** DC  
**Size:** 8  
**Manual:** 10  
**Approved:** 20-Feb-2014  
**Shutoffs:** (yyy),ssss,uuuu,vvvv,xxxx,yyyy,aaaaa,kkkkk,lllll,gggggg,iiiiii,jjjjjj,lllll,mmmmmm,oooooo

**Manufacturer:** Wilkins  
**Orientation:** H  
**0.25% Pb:** Yes  
**Renewed:** 20-Feb-2020

**Model:** 350AST  
**Meters:**  
**Spare Parts Only:** No  
**Bypass:**

---

**Type:** DC  
**Size:** 8  
**Manual:** 10  
**Approved:** 20-Feb-2014  
**Shutoffs:** (yyy),ssss,uuuu,vvvv,xxxx,yyyy,aaaaa,kkkkk,lllll,gggggg,iiiiii,jjjjjj,lllll,mmmmmm,oooooo

**Manufacturer:** Wilkins  
**Orientation:** VU  
**0.25% Pb:** Yes  
**Renewed:** 20-Feb-2020

**Model:** 350AST  
**Meters:**  
**Spare Parts Only:** No  
**Bypass:**

---

**Type:** DC  
**Size:** 10  
**Manual:** 10  
**Approved:** 20-Feb-2014  
**Shutoffs:** (yyy),ssss,uuuu,vvvv,xxxx,yyyy,aaaaa,kkkkk,lllll,gggggg,iiiiii,jjjjjj,lllll,mmmmmm,oooooo

**Manufacturer:** Wilkins  
**Orientation:** H  
**0.25% Pb:** Yes  
**Renewed:** 20-Feb-2020

**Model:** 350AST  
**Meters:**  
**Spare Parts Only:** No  
**Bypass:**

**Type:** DC   **Manufacturer:** Wilkins   **Model:** 350AST  
**Size:** 10   **Orientation:** VU   **Meters:**  
**Manual:** 10   **0.25% Pb:** Yes   **Spare Parts Only:** No  
**Approved:** 20-Feb-2014   **Renewed:** 20-Feb-2020   **Bypass:**  
**Shutoffs:** (yyy),ssss,uuuu,vvvv,xxxx,yyyy,aaaaa,kkkkk,lllll,gggggg,iiiii,jjjjj,lllll,mmmmmm,oooooo

---

**Type:** DC   **Manufacturer:** Wilkins   **Model:** 350ASTR  
**Size:** 2 1/2   **Orientation:** H   **Meters:**  
**Manual:** 10   **0.25% Pb:** Yes   **Spare Parts Only:** No  
**Approved:** 12-Jun-2015   **Renewed:** 12-Jun-2021   **Bypass:**  
**Shutoffs:** (ppp),qqq,yyy,ssss,uuuu,vvvv,xxxx,yyyy,aaaaa,kkkkk,lllll,gggggg,iiiii,jjjjj,lllll,mmmmmm,oooooo  
**Notes:** Integral Stainless Steel grooved spool between the #2 ck and #2 SOV - assembly length: min. 34 1/4" and max. 47 1/8"

---

**Type:** DC   **Manufacturer:** Wilkins   **Model:** 350ASTR  
**Size:** 2 1/2   **Orientation:** VU   **Meters:**  
**Manual:** 10   **0.25% Pb:** Yes   **Spare Parts Only:** No  
**Approved:** 12-Jun-2015   **Renewed:** 12-Jun-2021   **Bypass:**  
**Shutoffs:** (ppp),qqq,yyy,ssss,uuuu,vvvv,xxxx,yyyy,aaaaa,kkkkk,lllll,gggggg,iiiii,jjjjj,lllll,mmmmmm,oooooo  
**Notes:** Integral Stainless Steel grooved spool between the #2 ck and #2 SOV - assembly length: min. 34 1/4" and max. 47 1/8"

---

**Type:** DC   **Manufacturer:** Wilkins   **Model:** 350ASTR  
**Size:** 3   **Orientation:** H   **Meters:**  
**Manual:** 10   **0.25% Pb:** Yes   **Spare Parts Only:** No  
**Approved:** 12-Jun-2015   **Renewed:** 12-Jun-2021   **Bypass:**  
**Shutoffs:** (ppp),qqq,yyy,ssss,uuuu,vvvv,xxxx,yyyy,aaaaa,kkkkk,lllll,gggggg,iiiii,jjjjj,lllll,mmmmmm,oooooo  
**Notes:** Integral Stainless Steel grooved spool between the #2 ck and #2 SOV - assembly length: min. 34 3/4" and max. 48 1/8"

---

**Type:** DC   **Manufacturer:** Wilkins   **Model:** 350ASTR  
**Size:** 3   **Orientation:** VU   **Meters:**  
**Manual:** 10   **0.25% Pb:** Yes   **Spare Parts Only:** No  
**Approved:** 12-Jun-2015   **Renewed:** 12-Jun-2021   **Bypass:**  
**Shutoffs:** (ppp),qqq,yyy,ssss,uuuu,vvvv,xxxx,yyyy,aaaaa,kkkkk,lllll,gggggg,iiiii,jjjjj,lllll,mmmmmm,oooooo  
**Notes:** Integral Stainless Steel grooved spool between the #2 ck and #2 SOV - assembly length: min. 34 3/4" and max. 48 1/8"

**Type:** DC **Manufacturer:** Wilkins **Model:** 350ASTR  
**Size:** 4 **Orientation:** H **Meters:**  
**Manual:** 10 **0.25% Pb:** Yes **Spare Parts Only:** No  
**Approved:** 12-Jun-2015 **Renewed:** 12-Jun-2021 **Bypass:**  
**Shutoffs:** (ppp),qqq,yyy,ssss,uuuu,vvvv,xxxx,yyyy,aaaaa,kkkkk,lllll,gggggg,iiiiii,jjjjjj,llllll,mmmmmm,oooooo  
**Notes:** Integral Stainless Steel grooved spool between the #2 ck and #2 SOV - assembly length: min. 35 3/4" and max. 62 1/4"

**Type:** DC **Manufacturer:** Wilkins **Model:** 350ASTR  
**Size:** 4 **Orientation:** VU **Meters:**  
**Manual:** 10 **0.25% Pb:** Yes **Spare Parts Only:** No  
**Approved:** 12-Jun-2015 **Renewed:** 12-Jun-2021 **Bypass:**  
**Shutoffs:** (ppp),qqq,yyy,ssss,uuuu,vvvv,xxxx,yyyy,aaaaa,kkkkk,lllll,gggggg,iiiiii,jjjjjj,llllll,mmmmmm,oooooo  
**Notes:** Integral Stainless Steel grooved spool between the #2 ck and #2 SOV - assembly length: min. 35 3/4" and max. 62 1/4"

**Type:** DC **Manufacturer:** Wilkins **Model:** 350ASTR  
**Size:** 6 **Orientation:** H **Meters:**  
**Manual:** 10 **0.25% Pb:** Yes **Spare Parts Only:** No  
**Approved:** 12-Jun-2015 **Renewed:** 12-Jun-2021 **Bypass:**  
**Shutoffs:** (yyy),ssss,uuuu,vvvv,xxxx,yyyy,aaaaa,kkkkk,lllll,gggggg,iiiiii,jjjjjj,llllll,mmmmmm,oooooo  
**Notes:** Integral Stainless Steel grooved spool between the #2 ck and #2 SOV - assembly length: min. 42 1/2" and max. 71 1/4"

**Type:** DC **Manufacturer:** Wilkins **Model:** 350ASTR  
**Size:** 6 **Orientation:** VU **Meters:**  
**Manual:** 10 **0.25% Pb:** Yes **Spare Parts Only:** No  
**Approved:** 12-Jun-2015 **Renewed:** 12-Jun-2021 **Bypass:**  
**Shutoffs:** (yyy),ssss,uuuu,vvvv,xxxx,yyyy,aaaaa,kkkkk,lllll,gggggg,iiiiii,jjjjjj,llllll,mmmmmm,oooooo  
**Notes:** Integral Stainless Steel grooved spool between the #2 ck and #2 SOV - assembly length: min. 42 1/2" and max. 71 1/4"

**Type:** DC **Manufacturer:** Wilkins **Model:** 350ASTR  
**Size:** 8 **Orientation:** H **Meters:**  
**Manual:** 10 **0.25% Pb:** Yes **Spare Parts Only:** No  
**Approved:** 25-Feb-2014 **Renewed:** 25-Feb-2020 **Bypass:**  
**Shutoffs:** (yyy),ssss,uuuu,vvvv,xxxx,yyyy,aaaaa,kkkkk,lllll,gggggg,iiiiii,jjjjjj,llllll,mmmmmm,oooooo  
**Notes:** Integral Stainless Steel grooved spool between the #2 ck and #2 SOV - assembly length: min. 48 3/4" and max. 86"

**Type:** DC                                      **Manufacturer:** Wilkins                                      **Model:** 350ASTR  
**Size:** 8    **Orientation:** VU    **Meters:**  
**Manual:** 10    **0.25% Pb:** Yes    **Spare Parts Only:** No  
**Approved:** 25-Feb-2014                      **Renewed:** 25-Feb-2020                              **Bypass:**  
**Shutoffs:** (yyy),ssss,uuuu,vvvv,xxxx,yyyy,aaaaa,kkkkk,lllll,gggggg,iiiiii,jjjjjj,lllll,mmmmmm,oooooo  
**Notes:** Integral Stainless Steel grooved spool between the #2 ck and #2 SOV - assembly length: min. 48 3/4" and max. 86"

---

**Type:** DC                                      **Manufacturer:** Wilkins                                      **Model:** 350ASTR  
**Size:** 10    **Orientation:** H    **Meters:**  
**Manual:** 10    **0.25% Pb:** Yes    **Spare Parts Only:** No  
**Approved:** 25-Feb-2014                      **Renewed:** 25-Feb-2020                              **Bypass:**  
**Shutoffs:** (yyy),ssss,uuuu,vvvv,xxxx,yyyy,aaaaa,kkkkk,lllll,gggggg,iiiiii,jjjjjj,lllll,mmmmmm,oooooo  
**Notes:** Integral Stainless Steel grooved spool between the #2 ck and #2 SOV - assembly length: min. 52 5/8" and max. 100 5/8"

---

**Type:** DC                                      **Manufacturer:** Wilkins                                      **Model:** 350ASTR  
**Size:** 10    **Orientation:** VU    **Meters:**  
**Manual:** 10    **0.25% Pb:** Yes    **Spare Parts Only:** No  
**Approved:** 25-Feb-2014                      **Renewed:** 25-Feb-2020                              **Bypass:**  
**Shutoffs:** (yyy),ssss,uuuu,vvvv,xxxx,yyyy,aaaaa,kkkkk,lllll,gggggg,iiiiii,jjjjjj,lllll,mmmmmm,oooooo  
**Notes:** Integral Stainless Steel grooved spool between the #2 ck and #2 SOV - assembly length: min. 52 5/8" and max. 100 5/8"

---

**Type:** DC                                      **Manufacturer:** Wilkins                                      **Model:** 350AXL  
**Size:** 2 1/2    **Orientation:** H    **Meters:**  
**Manual:** 9    **0.25% Pb:** No    **Spare Parts Only:** No  
**Approved:** 14-Apr-2010                      **Renewed:** 14-Apr-2022                              **Bypass:**  
**Shutoffs:** (ppp),qqq,sss,ttt,yyy,ssss,uuuu,vvvv,xxxx,yyyy,aaaaa

---

**Type:** DC                                      **Manufacturer:** Wilkins                                      **Model:** 350AXL  
**Size:** 2 1/2    **Orientation:** H    **Meters:**  
**Manual:** 9    **0.25% Pb:** Yes    **Spare Parts Only:** No  
**Approved:** 14-Apr-2010                      **Renewed:** 14-Apr-2022                              **Bypass:**  
**Shutoffs:** (ppp),qqq,sss,ttt,yyy,ssss,uuuu,vvvv,xxxx,yyyy,aaaaa

---

**Type:** DC                                      **Manufacturer:** Wilkins                                      **Model:** 350AXL  
**Size:** 2 1/2    **Orientation:** VU    **Meters:**  
**Manual:** 9    **0.25% Pb:** No    **Spare Parts Only:** No  
**Approved:** 14-Apr-2010                      **Renewed:** 14-Apr-2022                              **Bypass:**  
**Shutoffs:** (ppp),qqq,sss,ttt,yyy,ssss,uuuu,vvvv,xxxx,yyyy,aaaaa

<b>Type:</b> DC	<b>Manufacturer:</b> Wilkins	<b>Model:</b> 350AXL
<b>Size:</b> 2 1/2	<b>Orientation:</b> VU	<b>Meters:</b>
<b>Manual:</b> 9	<b>0.25% Pb:</b> Yes	<b>Spare Parts Only:</b> No
<b>Approved:</b> 14-Apr-2010	<b>Renewed:</b> 14-Apr-2022	<b>Bypass:</b>
<b>Shutoffs:</b> (ppp),qqq,sss,ttt,yyy,ssss,uuuu,vvvv,xxxx,yyyy,aaaaa		

---

<b>Type:</b> DC	<b>Manufacturer:</b> Wilkins	<b>Model:</b> 350AXL
<b>Size:</b> 3	<b>Orientation:</b> H	<b>Meters:</b>
<b>Manual:</b> 9	<b>0.25% Pb:</b> No	<b>Spare Parts Only:</b> No
<b>Approved:</b> 14-Apr-2010	<b>Renewed:</b> 14-Apr-2022	<b>Bypass:</b>
<b>Shutoffs:</b> (ppp),qqq,sss,ttt,yyy,ssss,uuuu,vvvv,xxxx,yyyy,aaaaa		

---

<b>Type:</b> DC	<b>Manufacturer:</b> Wilkins	<b>Model:</b> 350AXL
<b>Size:</b> 3	<b>Orientation:</b> H	<b>Meters:</b>
<b>Manual:</b> 9	<b>0.25% Pb:</b> Yes	<b>Spare Parts Only:</b> No
<b>Approved:</b> 14-Apr-2010	<b>Renewed:</b> 14-Apr-2022	<b>Bypass:</b>
<b>Shutoffs:</b> (ppp),qqq,sss,ttt,yyy,ssss,uuuu,vvvv,xxxx,yyyy,aaaaa		

---

<b>Type:</b> DC	<b>Manufacturer:</b> Wilkins	<b>Model:</b> 350AXL
<b>Size:</b> 3	<b>Orientation:</b> VU	<b>Meters:</b>
<b>Manual:</b> 9	<b>0.25% Pb:</b> No	<b>Spare Parts Only:</b> No
<b>Approved:</b> 14-Apr-2010	<b>Renewed:</b> 14-Apr-2022	<b>Bypass:</b>
<b>Shutoffs:</b> (ppp),qqq,sss,ttt,yyy,ssss,uuuu,vvvv,xxxx,yyyy,aaaaa		

---

<b>Type:</b> DC	<b>Manufacturer:</b> Wilkins	<b>Model:</b> 350AXL
<b>Size:</b> 3	<b>Orientation:</b> VU	<b>Meters:</b>
<b>Manual:</b> 9	<b>0.25% Pb:</b> Yes	<b>Spare Parts Only:</b> No
<b>Approved:</b> 14-Apr-2010	<b>Renewed:</b> 14-Apr-2022	<b>Bypass:</b>
<b>Shutoffs:</b> (ppp),qqq,sss,ttt,yyy,ssss,uuuu,vvvv,xxxx,yyyy,aaaaa		

---

<b>Type:</b> DC	<b>Manufacturer:</b> Wilkins	<b>Model:</b> 350AXL
<b>Size:</b> 4	<b>Orientation:</b> H	<b>Meters:</b>
<b>Manual:</b> 9	<b>0.25% Pb:</b> No	<b>Spare Parts Only:</b> No
<b>Approved:</b> 14-Apr-2010	<b>Renewed:</b> 14-Apr-2022	<b>Bypass:</b>
<b>Shutoffs:</b> (ppp),qqq,sss,ttt,www,yyy,ssss,uuuu,vvvv,xxxx,yyyy,aaaaa		

---

<b>Type:</b> DC	<b>Manufacturer:</b> Wilkins	<b>Model:</b> 350AXL
<b>Size:</b> 4	<b>Orientation:</b> H	<b>Meters:</b>
<b>Manual:</b> 9	<b>0.25% Pb:</b> Yes	<b>Spare Parts Only:</b> No
<b>Approved:</b> 14-Apr-2010	<b>Renewed:</b> 14-Apr-2022	<b>Bypass:</b>
<b>Shutoffs:</b> (ppp),qqq,sss,ttt,www,yyy,ssss,uuuu,vvvv,xxxx,yyyy,aaaaa		



**Type:** DC                                      **Manufacturer:** Wilkins                                      **Model:** 350AXL  
**Size:** 4    **Orientation:** VU    **Meters:**  
**Manual:** 9    **0.25% Pb:** No    **Spare Parts Only:** No  
**Approved:** 14-Apr-2010                                      **Renewed:** 14-Apr-2022                                      **Bypass:**  
**Shutoffs:** (ppp),qqq,sss,ttt,yyy,ssss,uuuu,vvvv,xxxx,yyyy,aaaaa

---

**Type:** DC                                      **Manufacturer:** Wilkins                                      **Model:** 350AXL  
**Size:** 4    **Orientation:** VU    **Meters:**  
**Manual:** 9    **0.25% Pb:** Yes    **Spare Parts Only:** No  
**Approved:** 14-Apr-2010                                      **Renewed:** 14-Apr-2022                                      **Bypass:**  
**Shutoffs:** (ppp),qqq,sss,ttt,yyy,ssss,uuuu,vvvv,xxxx,yyyy,aaaaa

---

**Type:** DC                                      **Manufacturer:** Wilkins                                      **Model:** 350AXL  
**Size:** 6    **Orientation:** H    **Meters:**  
**Manual:** 9    **0.25% Pb:** No    **Spare Parts Only:** No  
**Approved:** 14-Apr-2010                                      **Renewed:** 14-Apr-2022                                      **Bypass:**  
**Shutoffs:** (ppp),sss,ttt,qqq,yyy,zzz,dddd,ssss,uuuu,vvvv,xxxx,yyyy,aaaaa

---

**Type:** DC                                      **Manufacturer:** Wilkins                                      **Model:** 350AXL  
**Size:** 6    **Orientation:** H    **Meters:**  
**Manual:** 9    **0.25% Pb:** Yes    **Spare Parts Only:** No  
**Approved:** 14-Apr-2010                                      **Renewed:** 14-Apr-2022                                      **Bypass:**  
**Shutoffs:** (ppp),sss,ttt,qqq,yyy,zzz,dddd,ssss,uuuu,vvvv,xxxx,yyyy,aaaaa

---

**Type:** DC                                      **Manufacturer:** Wilkins                                      **Model:** 350AXL  
**Size:** 6    **Orientation:** VU    **Meters:**  
**Manual:** 9    **0.25% Pb:** No    **Spare Parts Only:** No  
**Approved:** 14-Apr-2010                                      **Renewed:** 14-Apr-2022                                      **Bypass:**  
**Shutoffs:** (ppp),sss,ttt,qqq,yyy,zzz,dddd,ssss,uuuu,vvvv,xxxx,yyyy,aaaaa

---

**Type:** DC                                      **Manufacturer:** Wilkins                                      **Model:** 350AXL  
**Size:** 6    **Orientation:** VU    **Meters:**  
**Manual:** 9    **0.25% Pb:** Yes    **Spare Parts Only:** No  
**Approved:** 14-Apr-2010                                      **Renewed:** 14-Apr-2022                                      **Bypass:**  
**Shutoffs:** (ppp),sss,ttt,qqq,yyy,zzz,dddd,ssss,uuuu,vvvv,xxxx,yyyy,aaaaa

---

**Type:** DC                                      **Manufacturer:** Wilkins                                      **Model:** 350AXL  
**Size:** 8    **Orientation:** H    **Meters:**  
**Manual:** 9    **0.25% Pb:** No    **Spare Parts Only:** No  
**Approved:** 25-Mar-2010                                      **Renewed:** 25-Mar-2022                                      **Bypass:**  
**Shutoffs:** (ppp),qqq,sss,ttt,www,yyy,zzz,dddd,eeee,ssss,uuuu,vvvv,xxxx,yyyy,aaaaa

---

**Type:** DC    **Manufacturer:** Wilkins    **Model:** 350AXL  
**Size:** 8    **Orientation:** H    **Meters:**  
**Manual:** 9    **0.25% Pb:** Yes    **Spare Parts Only:** No  
**Approved:** 25-Mar-2010    **Renewed:** 25-Mar-2022    **Bypass:**  
**Shutoffs:** (ppp),qqq,sss,ttt,www,yyy,zzz,dddd,eeee,ssss,uuuu,vvvv,xxxx,yyyy,aaaaa

---

**Type:** DC    **Manufacturer:** Wilkins    **Model:** 350AXL  
**Size:** 8    **Orientation:** VU    **Meters:**  
**Manual:** 9    **0.25% Pb:** No    **Spare Parts Only:** No  
**Approved:** 25-Mar-2010    **Renewed:** 25-Mar-2022    **Bypass:**  
**Shutoffs:** (ppp),qqq,sss,ttt,www,yyy,zzz,dddd,eeee,ssss,uuuu,vvvv,xxxx,yyyy,aaaaa

---

**Type:** DC    **Manufacturer:** Wilkins    **Model:** 350AXL  
**Size:** 8    **Orientation:** VU    **Meters:**  
**Manual:** 9    **0.25% Pb:** Yes    **Spare Parts Only:** No  
**Approved:** 25-Mar-2010    **Renewed:** 25-Mar-2022    **Bypass:**  
**Shutoffs:** (ppp),qqq,sss,ttt,www,yyy,zzz,dddd,eeee,ssss,uuuu,vvvv,xxxx,yyyy,aaaaa

---

**Type:** DC    **Manufacturer:** Wilkins    **Model:** 350AXL  
**Size:** 10    **Orientation:** H    **Meters:**  
**Manual:** 9    **0.25% Pb:** Yes    **Spare Parts Only:** No  
**Approved:** 25-Mar-2010    **Renewed:** 25-Mar-2022    **Bypass:**  
**Shutoffs:** (ppp),qqq,sss,ttt,www,yyy,zzz,dddd,eeee,ssss,uuuu,vvvv,xxxx,yyyy,aaaaa

---

**Type:** DC    **Manufacturer:** Wilkins    **Model:** 350AXL  
**Size:** 10    **Orientation:** VU    **Meters:**  
**Manual:** 9    **0.25% Pb:** Yes    **Spare Parts Only:** No  
**Approved:** 25-Mar-2010    **Renewed:** 25-Mar-2022    **Bypass:**  
**Shutoffs:** (ppp),qqq,sss,ttt,www,yyy,zzz,dddd,eeee,ssss,uuuu,vvvv,xxxx,yyyy,aaaaa

---

**Type:** DC    **Manufacturer:** Wilkins    **Model:** 350D  
**Size:** 3/4    **Orientation:** H    **Meters:**  
**Manual:** 9    **0.25% Pb:** No    **Spare Parts Only:** No  
**Approved:** 19-May-2009    **Renewed:** 19-May-2021    **Bypass:**  
**Shutoffs:** (ii), 000

---

**Type:** DC    **Manufacturer:** Wilkins    **Model:** 350D  
**Size:** 3/4    **Orientation:** VU    **Meters:**  
**Manual:** 9    **0.25% Pb:** No    **Spare Parts Only:** No  
**Approved:** 22-Jun-2009    **Renewed:** 22-Jun-2021    **Bypass:**  
**Shutoffs:** (ii), 000

**Type:** DC  
**Size:** 3/4  
**Manual:** 9  
**Approved:** 30-Aug-2006  
**Shutoffs:** (iii)  
**Notes:** Testcocks: Female Threaded End or 45 degree male SAE flare

**Manufacturer:** Wilkins  
**Orientation:** H  
**0.25% Pb:** Yes  
**Renewed:** 30-Aug-2021

**Model:** 350XL  
**Meters:**  
**Spare Parts Only:** No  
**Bypass:**

---

**Type:** DC  
**Size:** 3/4  
**Manual:** 9  
**Approved:** 30-Aug-2006  
**Shutoffs:** (iii)  
**Notes:** Testcocks: Female Threaded End or 45 degree male SAE flare

**Manufacturer:** Wilkins  
**Orientation:** VU  
**0.25% Pb:** Yes  
**Renewed:** 30-Aug-2021

**Model:** 350XL  
**Meters:**  
**Spare Parts Only:** No  
**Bypass:**

---

**Type:** DC  
**Size:** 1  
**Manual:** 9  
**Approved:** 27-Oct-2006  
**Shutoffs:** (iii)  
**Notes:** Testcocks: Female Threaded End or 45 degree male SAE flare

**Manufacturer:** Wilkins  
**Orientation:** H  
**0.25% Pb:** Yes  
**Renewed:** 27-Oct-2021

**Model:** 350XL  
**Meters:**  
**Spare Parts Only:** No  
**Bypass:**

---

**Type:** DC  
**Size:** 1  
**Manual:** 9  
**Approved:** 27-Oct-2006  
**Shutoffs:** (iii)  
**Notes:** Testcocks: Female Threaded End or 45 degree male SAE flare

**Manufacturer:** Wilkins  
**Orientation:** VU  
**0.25% Pb:** Yes  
**Renewed:** 27-Oct-2021

**Model:** 350XL  
**Meters:**  
**Spare Parts Only:** No  
**Bypass:**

---

**Type:** DC  
**Size:** 1 1/4  
**Manual:** 9  
**Approved:** 08-Jan-2009  
**Shutoffs:** (int)

**Manufacturer:** Wilkins  
**Orientation:** H  
**0.25% Pb:** Yes  
**Renewed:** 08-Jan-2021

**Model:** 350XL  
**Meters:**  
**Spare Parts Only:** No  
**Bypass:**

---

**Type:** DC  
**Size:** 1 1/4  
**Manual:** 9  
**Approved:** 08-Jan-2009  
**Shutoffs:** (int)

**Manufacturer:** Wilkins  
**Orientation:** VU  
**0.25% Pb:** Yes  
**Renewed:** 08-Jan-2021

**Model:** 350XL  
**Meters:**  
**Spare Parts Only:** No  
**Bypass:**

**Type:** DC  
**Size:** 1 1/2  
**Manual:** 9  
**Approved:** 08-Jan-2009  
**Shutoffs:** (int)

**Manufacturer:** Wilkins  
**Orientation:** H  
**0.25% Pb:** Yes  
**Renewed:** 08-Jan-2021

**Model:** 350XL  
**Meters:**  
**Spare Parts Only:** No  
**Bypass:**

---

**Type:** DC  
**Size:** 1 1/2  
**Manual:** 9  
**Approved:** 08-Jan-2009  
**Shutoffs:** (int)

**Manufacturer:** Wilkins  
**Orientation:** VU  
**0.25% Pb:** Yes  
**Renewed:** 08-Jan-2021

**Model:** 350XL  
**Meters:**  
**Spare Parts Only:** No  
**Bypass:**

---

**Type:** DC  
**Size:** 2  
**Manual:** 9  
**Approved:** 08-Jan-2009  
**Shutoffs:** (int)

**Manufacturer:** Wilkins  
**Orientation:** H  
**0.25% Pb:** Yes  
**Renewed:** 08-Jan-2021

**Model:** 350XL  
**Meters:**  
**Spare Parts Only:** No  
**Bypass:**

---

**Type:** DC  
**Size:** 2  
**Manual:** 9  
**Approved:** 08-Jan-2009  
**Shutoffs:** (int)

**Manufacturer:** Wilkins  
**Orientation:** VU  
**0.25% Pb:** Yes  
**Renewed:** 08-Jan-2021

**Model:** 350XL  
**Meters:**  
**Spare Parts Only:** No  
**Bypass:**

---

**Type:** DC  
**Size:** 2 1/2  
**Manual:** 9  
**Approved:** 14-Apr-2010  
**Shutoffs:** ee,ff,ll,mm,tt,uu,yy,zz,zzz,dddd

**Manufacturer:** Wilkins  
**Orientation:** H  
**0.25% Pb:** No  
**Renewed:** 14-Apr-2022

**Model:** 350XL  
**Meters:**  
**Spare Parts Only:** No  
**Bypass:**

---

**Type:** DC  
**Size:** 2 1/2  
**Manual:** 9  
**Approved:** 14-Apr-2010  
**Shutoffs:** (gg),hh,ppp,qqq,ssss,tttt,vvvv,www,yyyy,zzzz

**Manufacturer:** Wilkins  
**Orientation:** H  
**0.25% Pb:** Yes  
**Renewed:** 14-Apr-2022

**Model:** 350XL  
**Meters:**  
**Spare Parts Only:** No  
**Bypass:**

---

**Type:** DC  
**Size:** 2 1/2  
**Manual:** 9  
**Approved:** 14-Apr-2010  
**Shutoffs:** ee,ff,ll,mm,tt,uu,yy,zz,zzz,dddd

**Manufacturer:** Wilkins  
**Orientation:** VU  
**0.25% Pb:** No  
**Renewed:** 14-Apr-2022

**Model:** 350XL  
**Meters:**  
**Spare Parts Only:** No  
**Bypass:**

<b>Type:</b> DC	<b>Manufacturer:</b> Wilkins	<b>Model:</b> 350XL
<b>Size:</b> 2 1/2	<b>Orientation:</b> VU	<b>Meters:</b>
<b>Manual:</b> 9	<b>0.25% Pb:</b> Yes	<b>Spare Parts Only:</b> No
<b>Approved:</b> 14-Apr-2010	<b>Renewed:</b> 14-Apr-2022	<b>Bypass:</b>
<b>Shutoffs:</b> (gg),hh,ppp,qqq,ssss,tttt,vvvv,wwww,yyyy,zzzz		

---

<b>Type:</b> DC	<b>Manufacturer:</b> Wilkins	<b>Model:</b> 350XL
<b>Size:</b> 3	<b>Orientation:</b> H	<b>Meters:</b>
<b>Manual:</b> 9	<b>0.25% Pb:</b> No	<b>Spare Parts Only:</b> No
<b>Approved:</b> 14-Apr-2010	<b>Renewed:</b> 14-Apr-2022	<b>Bypass:</b>
<b>Shutoffs:</b> ee,ff,ll,mm,tt,uu,yy,zz,zzz,dddd		

---

<b>Type:</b> DC	<b>Manufacturer:</b> Wilkins	<b>Model:</b> 350XL
<b>Size:</b> 3	<b>Orientation:</b> H	<b>Meters:</b>
<b>Manual:</b> 9	<b>0.25% Pb:</b> Yes	<b>Spare Parts Only:</b> No
<b>Approved:</b> 14-Apr-2010	<b>Renewed:</b> 14-Apr-2022	<b>Bypass:</b>
<b>Shutoffs:</b> (gg),hh,ppp,qqq,ssss,tttt,vvvv,wwww,yyyy,zzzz		

---

<b>Type:</b> DC	<b>Manufacturer:</b> Wilkins	<b>Model:</b> 350XL
<b>Size:</b> 3	<b>Orientation:</b> VU	<b>Meters:</b>
<b>Manual:</b> 9	<b>0.25% Pb:</b> No	<b>Spare Parts Only:</b> No
<b>Approved:</b> 14-Apr-2010	<b>Renewed:</b> 14-Apr-2022	<b>Bypass:</b>
<b>Shutoffs:</b> ee,ff,ll,mm,tt,uu,yy,zz,zzz,dddd		

---

<b>Type:</b> DC	<b>Manufacturer:</b> Wilkins	<b>Model:</b> 350XL
<b>Size:</b> 3	<b>Orientation:</b> VU	<b>Meters:</b>
<b>Manual:</b> 9	<b>0.25% Pb:</b> Yes	<b>Spare Parts Only:</b> No
<b>Approved:</b> 14-Apr-2010	<b>Renewed:</b> 14-Apr-2022	<b>Bypass:</b>
<b>Shutoffs:</b> (gg),hh,ppp,qqq,ssss,tttt,vvvv,wwww,yyyy,zzzz		

---

<b>Type:</b> DC	<b>Manufacturer:</b> Wilkins	<b>Model:</b> 350XL
<b>Size:</b> 4	<b>Orientation:</b> H	<b>Meters:</b>
<b>Manual:</b> 9	<b>0.25% Pb:</b> No	<b>Spare Parts Only:</b> No
<b>Approved:</b> 14-Apr-2010	<b>Renewed:</b> 14-Apr-2022	<b>Bypass:</b>
<b>Shutoffs:</b> ee,ff,ll,mm,tt,uu,yy,zz,zzz,dddd,eeee		

---

<b>Type:</b> DC	<b>Manufacturer:</b> Wilkins	<b>Model:</b> 350XL
<b>Size:</b> 4	<b>Orientation:</b> H	<b>Meters:</b>
<b>Manual:</b> 9	<b>0.25% Pb:</b> Yes	<b>Spare Parts Only:</b> No
<b>Approved:</b> 14-Apr-2010	<b>Renewed:</b> 14-Apr-2022	<b>Bypass:</b>
<b>Shutoffs:</b> (gg),hh,ppp,qqq,vvv,www,ssss,tttt,vvvv,wwww,yyyy,zzzz		

**Type:** DC                                      **Manufacturer:** Wilkins                                      **Model:** 350XL  
**Size:** 4    **Orientation:** VU    **Meters:**  
**Manual:** 9    **0.25% Pb:** No    **Spare Parts Only:** No  
**Approved:** 14-Apr-2010                                      **Renewed:** 14-Apr-2022                                      **Bypass:**  
**Shutoffs:** ee,ff,ll,mm,tt,uu,yy,zz,zzz,dddd,eeee

---

**Type:** DC                                      **Manufacturer:** Wilkins                                      **Model:** 350XL  
**Size:** 4    **Orientation:** VU    **Meters:**  
**Manual:** 9    **0.25% Pb:** Yes    **Spare Parts Only:** No  
**Approved:** 14-Apr-2010                                      **Renewed:** 14-Apr-2022                                      **Bypass:**  
**Shutoffs:** (gg),hh,ppp,qqq,vvv,www,ssss,tttt,vvvv,wwww,yyyy,zzzz

---

**Type:** DC                                      **Manufacturer:** Wilkins                                      **Model:** 350XL  
**Size:** 6    **Orientation:** H    **Meters:**  
**Manual:** 9    **0.25% Pb:** No    **Spare Parts Only:** No  
**Approved:** 14-Apr-2010                                      **Renewed:** 14-Apr-2022                                      **Bypass:**  
**Shutoffs:** ee,ff,ll,mm,tt,uu,yy,zz,zzz,dddd,eeee

---

**Type:** DC                                      **Manufacturer:** Wilkins                                      **Model:** 350XL  
**Size:** 6    **Orientation:** H    **Meters:**  
**Manual:** 9    **0.25% Pb:** Yes    **Spare Parts Only:** No  
**Approved:** 14-Apr-2010                                      **Renewed:** 14-Apr-2022                                      **Bypass:**  
**Shutoffs:** (gg),hh,ppp,qqq,vvv,www,ssss,tttt,vvvv,wwww,yyyy,zzzz

---

**Type:** DC                                      **Manufacturer:** Wilkins                                      **Model:** 350XL  
**Size:** 6    **Orientation:** VU    **Meters:**  
**Manual:** 9    **0.25% Pb:** No    **Spare Parts Only:** No  
**Approved:** 14-Apr-2010                                      **Renewed:** 14-Apr-2022                                      **Bypass:**  
**Shutoffs:** ee,ff,ll,mm,tt,uu,yy,zz,zzz,dddd,eeee

---

**Type:** DC                                      **Manufacturer:** Wilkins                                      **Model:** 350XL  
**Size:** 6    **Orientation:** VU    **Meters:**  
**Manual:** 9    **0.25% Pb:** Yes    **Spare Parts Only:** No  
**Approved:** 14-Apr-2010                                      **Renewed:** 14-Apr-2022                                      **Bypass:**  
**Shutoffs:** (gg),hh,ppp,qqq,vvv,www,ssss,tttt,vvvv,wwww,yyyy,zzzz

---

**Type:** DC                                      **Manufacturer:** Wilkins                                      **Model:** 350XL  
**Size:** 8    **Orientation:** H    **Meters:**  
**Manual:** 9    **0.25% Pb:** No    **Spare Parts Only:** No  
**Approved:** 25-Mar-2010                                      **Renewed:** 25-Mar-2022                                      **Bypass:**  
**Shutoffs:** ee,ff,ll,mm,tt,uu,yy,zz,zzz,dddd,eeee

<b>Type:</b> DC	<b>Manufacturer:</b> Wilkins	<b>Model:</b> 350XL
<b>Size:</b> 8	<b>Orientation:</b> H	<b>Meters:</b>
<b>Manual:</b> 9	<b>0.25% Pb:</b> Yes	<b>Spare Parts Only:</b> No
<b>Approved:</b> 25-Mar-2010	<b>Renewed:</b> 25-Mar-2022	<b>Bypass:</b>
<b>Shutoffs:</b> (gg),hh,ppp,qqq,vvv,www,ssss,tttt,vvvv,wwww,yyyy,zzzz		

---

<b>Type:</b> DC	<b>Manufacturer:</b> Wilkins	<b>Model:</b> 350XL
<b>Size:</b> 8	<b>Orientation:</b> VU	<b>Meters:</b>
<b>Manual:</b> 9	<b>0.25% Pb:</b> No	<b>Spare Parts Only:</b> No
<b>Approved:</b> 25-Mar-2010	<b>Renewed:</b> 25-Mar-2022	<b>Bypass:</b>
<b>Shutoffs:</b> ee,ff,ll,mm,tt,uu,yy,zz,zzz,dddd,eeee		

---

<b>Type:</b> DC	<b>Manufacturer:</b> Wilkins	<b>Model:</b> 350XL
<b>Size:</b> 8	<b>Orientation:</b> VU	<b>Meters:</b>
<b>Manual:</b> 9	<b>0.25% Pb:</b> Yes	<b>Spare Parts Only:</b> No
<b>Approved:</b> 25-Mar-2010	<b>Renewed:</b> 25-Mar-2022	<b>Bypass:</b>
<b>Shutoffs:</b> (gg),hh,ppp,qqq,vvv,www,ssss,tttt,vvvv,wwww,yyyy,zzzz		

---

<b>Type:</b> DC	<b>Manufacturer:</b> Wilkins	<b>Model:</b> 350XL
<b>Size:</b> 10	<b>Orientation:</b> H	<b>Meters:</b>
<b>Manual:</b> 9	<b>0.25% Pb:</b> No	<b>Spare Parts Only:</b> No
<b>Approved:</b> 25-Mar-2010	<b>Renewed:</b> 25-Mar-2022	<b>Bypass:</b>
<b>Shutoffs:</b> ee,ff,ll,mm,tt,uu,yy,zz,zzz,dddd,eeee		

---

<b>Type:</b> DC	<b>Manufacturer:</b> Wilkins	<b>Model:</b> 350XL
<b>Size:</b> 10	<b>Orientation:</b> H	<b>Meters:</b>
<b>Manual:</b> 9	<b>0.25% Pb:</b> Yes	<b>Spare Parts Only:</b> No
<b>Approved:</b> 25-Mar-2010	<b>Renewed:</b> 25-Mar-2022	<b>Bypass:</b>
<b>Shutoffs:</b> (ppp),qqq,sss,ttt,yyy,ssss,uuuu,vvvv,xxxx,yyyy,aaaaa		

---

<b>Type:</b> DC	<b>Manufacturer:</b> Wilkins	<b>Model:</b> 350XL
<b>Size:</b> 10	<b>Orientation:</b> VU	<b>Meters:</b>
<b>Manual:</b> 9	<b>0.25% Pb:</b> No	<b>Spare Parts Only:</b> No
<b>Approved:</b> 25-Mar-2010	<b>Renewed:</b> 25-Mar-2022	<b>Bypass:</b>
<b>Shutoffs:</b> ee,ff,ll,mm,tt,uu,yy,zz,zzz,dddd,eeee		

---

<b>Type:</b> DC	<b>Manufacturer:</b> Wilkins	<b>Model:</b> 350XL
<b>Size:</b> 10	<b>Orientation:</b> VU	<b>Meters:</b>
<b>Manual:</b> 9	<b>0.25% Pb:</b> Yes	<b>Spare Parts Only:</b> No
<b>Approved:</b> 25-Mar-2010	<b>Renewed:</b> 25-Mar-2022	<b>Bypass:</b>
<b>Shutoffs:</b> (ppp),qqq,sss,ttt,yyy,ssss,uuuu,vvvv,xxxx,yyyy,aaaaa		

**Type:** DC                                **Manufacturer:** Wilkins                                **Model:** 350XL  
**Size:** 12                                **Orientation:** H                                **Meters:**  
**Manual:** 9                                **0.25% Pb:** Yes                                **Spare Parts Only:** No  
**Approved:** 25-Mar-2010                                **Renewed:** 25-Mar-2022                                **Bypass:**  
**Shutoffs:** (hh),ssss,tttt,uuuu,vvvv,wwww,xxxx,yyyy,zzzz,aaaaa

---

**Type:** DC                                **Manufacturer:** Wilkins                                **Model:** 450  
**Size:** 2 1/2                                **Orientation:** VUVD                                **Meters:**  
**Manual:** 9                                **0.25% Pb:** No                                **Spare Parts Only:** No  
**Approved:** 24-Jan-2002                                **Renewed:** 24-Jan-2020                                **Bypass:**  
**Shutoffs:**  
(gg),ee,ff,hh,ll,mm,tt,uu,yy,zz,ppp,qqq,zzz,dddd,ssss,tttt,vvvv,wwww,yyyy,zzzz,kkkkk,gggggg,hhhhhh,jjjjjj,kkkkkk,mmmm  
mm,nnnnnn  
**Notes:** Up to serial number K01185

---

**Type:** DC                                **Manufacturer:** Wilkins                                **Model:** 450  
**Size:** 2 1/2                                **Orientation:** VUVD                                **Meters:**  
**Manual:** 9                                **0.25% Pb:** Yes                                **Spare Parts Only:** No  
**Approved:** 09-Sep-2010                                **Renewed:** 09-Sep-2019                                **Bypass:**  
**Shutoffs:** (gg),hh,ppp,qqq,ssss,tttt,vvvv,wwww,yyyy,zzzz,kkkkk,gggggg,hhhhhh,jjjjjj,kkkkkk,mmmmmm,nnnnnn  
**Notes:** Serial number K01185 and higher

---

**Type:** DC                                **Manufacturer:** Wilkins                                **Model:** 450  
**Size:** 3                                **Orientation:** VUVD                                **Meters:**  
**Manual:** 9                                **0.25% Pb:** No                                **Spare Parts Only:** No  
**Approved:** 24-Jan-2002                                **Renewed:** 24-Jan-2020                                **Bypass:**  
**Shutoffs:**  
(gg),ee,ff,hh,ll,mm,tt,uu,yy,zz,ppp,qqq,zzz,dddd,ssss,tttt,vvvv,wwww,yyyy,zzzz,kkkkk,gggggg,hhhhhh,jjjjjj,kkkkkk,mmmm  
mm,nnnnnn  
**Notes:** Up to serial number K01185

---

**Type:** DC                                **Manufacturer:** Wilkins                                **Model:** 450  
**Size:** 3                                **Orientation:** VUVD                                **Meters:**  
**Manual:** 9                                **0.25% Pb:** Yes                                **Spare Parts Only:** No  
**Approved:** 09-Sep-2010                                **Renewed:** 09-Sep-2019                                **Bypass:**  
**Shutoffs:** (gg),hh,ppp,qqq,ssss,tttt,vvvv,wwww,yyyy,zzzz,kkkkk,gggggg,hhhhhh,jjjjjj,kkkkkk,mmmmmm,nnnnnn  
**Notes:** Serial number K01185 and higher



**Type:** DC                                       **Manufacturer:** Wilkins                                       **Model:** 450  
**Size:** 4                                       **Orientation:** VUVD                                       **Meters:**  
**Manual:** 9                                       **0.25% Pb:** No                                       **Spare Parts Only:** No  
**Approved:** 12-Apr-2000                                       **Renewed:** 12-Apr-2021                                       **Bypass:**  
**Shutoffs:**  
(ppp),qqq,sss,ttt,www,yyy,zzz,dddd,eeee,ssss,uuuu,vvvv,xxxx,yyyy,aaaaa,kkkkk,lllll,ggggggg,iiiiii,jjjjjj,lllll,mmmmmm,ooooo  
o  
**Notes:** Up to serial number K01185

---

**Type:** DC                                       **Manufacturer:** Wilkins                                       **Model:** 450  
**Size:** 4                                       **Orientation:** VUVD                                       **Meters:**  
**Manual:** 9                                       **0.25% Pb:** Yes                                       **Spare Parts Only:** No  
**Approved:** 09-Sep-2010                                       **Renewed:** 09-Sep-2019                                       **Bypass:**  
**Shutoffs:** (ppp),qqq,sss,ttt,www,yyy,ssss,uuuu,vvvv,xxxx,yyyy,aaaaa,kkkkk,lllll,ggggggg,iiiiii,jjjjjj,lllll,mmmmmm,ooooo  
**Notes:** Serial number K01185 and higher

---

**Type:** DC                                       **Manufacturer:** Wilkins                                       **Model:** 450  
**Size:** 6                                       **Orientation:** VUVD                                       **Meters:**  
**Manual:** 9                                       **0.25% Pb:** No                                       **Spare Parts Only:** No  
**Approved:** 24-May-2000                                       **Renewed:** 24-May-2021                                       **Bypass:**  
**Shutoffs:**  
(ppp),qqq,sss,ttt,www,yyy,zzz,dddd,eeee,ssss,uuuu,vvvv,xxxx,yyyy,aaaaa,kkkkk,lllll,ggggggg,iiiiii,jjjjjj,lllll,mmmmmm,ooooo  
o  
**Notes:** Up to serial number K01185

---

**Type:** DC                                       **Manufacturer:** Wilkins                                       **Model:** 450  
**Size:** 6                                       **Orientation:** VUVD                                       **Meters:**  
**Manual:** 9                                       **0.25% Pb:** Yes                                       **Spare Parts Only:** No  
**Approved:** 09-Sep-2010                                       **Renewed:** 09-Sep-2019                                       **Bypass:**  
**Shutoffs:** (ppp),qqq,sss,ttt,www,yyy,ssss,uuuu,vvvv,xxxx,yyyy,aaaaa,kkkkk,lllll,ggggggg,iiiiii,jjjjjj,lllll,mmmmmm,ooooo  
**Notes:** Serial number K01185 and higher

---

**Type:** DC                                       **Manufacturer:** Wilkins                                       **Model:** 450  
**Size:** 8                                       **Orientation:** VUVD                                       **Meters:**  
**Manual:** 9                                       **0.25% Pb:** No                                       **Spare Parts Only:** No  
**Approved:** 14-Apr-2003                                       **Renewed:** 14-Apr-2021                                       **Bypass:**  
**Shutoffs:**  
(ppp),qqq,sss,ttt,www,yyy,zzz,dddd,eeee,ssss,uuuu,vvvv,xxxx,yyyy,aaaaa,kkkkk,lllll,ggggggg,iiiiii,jjjjjj,lllll,mmmmmm,ooooo  
o  
**Notes:** Up to serial number K01185

**Type:** DC                                    **Manufacturer:** Wilkins                                    **Model:** 450  
**Size:** 8                                      **Orientation:** VUVD                                        **Meters:**  
**Manual:** 9                                   **0.25% Pb:** Yes    **Spare Parts Only:** No  
**Approved:** 09-Sep-2010                                    **Renewed:** 09-Sep-2019                                   **Bypass:**  
**Shutoffs:** (ppp),qqq,sss,ttt,www,yyy,ssss,uuuu,vvvv,xxxx,yyyy,aaaaa,kkkkk,l1lll,ggggggg,iiiiiii,jjjjjj,l1llll,mmmmmm,ooooo  
**Notes:** Serial number K01185 and higher

---

**Type:** DC                                    **Manufacturer:** Wilkins                                    **Model:** 450  
**Size:** 10                                      **Orientation:** VUVD                                        **Meters:**  
**Manual:** 9                                   **0.25% Pb:** No    **Spare Parts Only:** No  
**Approved:** 11-Sep-2003                                    **Renewed:** 11-Sep-2021                                   **Bypass:**  
**Shutoffs:**  
(ppp),qqq,sss,ttt,www,zzz,dddd,eeee,ssss,uuuu,vvvv,xxxx,yyyy,aaaaa,kkkkk,l1lll,ggggggg,iiiiiii,jjjjjj,l1llll,mmmmmm,ooooo  
**Notes:** Up to serial number K01185

---

**Type:** DC                                    **Manufacturer:** Wilkins                                    **Model:** 450  
**Size:** 10                                      **Orientation:** VUVD                                        **Meters:**  
**Manual:** 9                                   **0.25% Pb:** Yes    **Spare Parts Only:** No  
**Approved:** 09-Sep-2010                                    **Renewed:** 09-Sep-2019                                   **Bypass:**  
**Shutoffs:** (ppp),qqq,sss,ttt,www,ssss,uuuu,vvvv,xxxx,yyyy,aaaaa,kkkkk,l1lll,ggggggg,iiiiiii,jjjjjj,l1llll,mmmmmm,ooooo  
**Notes:** Serial number K01185 and higher

---

**Type:** DC                                    **Manufacturer:** Wilkins                                    **Model:** 450ST  
**Size:** 4                                        **Orientation:** VUVD                                        **Meters:**  
**Manual:** 10                                   **0.25% Pb:** Yes    **Spare Parts Only:** No  
**Approved:** 13-Jun-2018                                    **Renewed:** 13-Jun-2021                                   **Bypass:**  
**Shutoffs:** (kkkkk),yyy,ssss,uuuu,vvvv,xxxx,yyyy,aaaaa,l1lll,ggggggg,iiiiiii,jjjjjj,l1llll,mmmmmm,ooooo

---

**Type:** DC                                    **Manufacturer:** Wilkins                                    **Model:** 450ST  
**Size:** 6                                        **Orientation:** VUVD                                        **Meters:**  
**Manual:** 10                                   **0.25% Pb:** Yes    **Spare Parts Only:** No  
**Approved:** 13-Jun-2018                                    **Renewed:** 13-Jun-2021                                   **Bypass:**  
**Shutoffs:** (kkkkk),yyy,ssss,uuuu,vvvv,xxxx,yyyy,aaaaa,l1lll,ggggggg,iiiiiii,jjjjjj,l1llll,mmmmmm,ooooo

---

**Type:** DC                                    **Manufacturer:** Wilkins                                    **Model:** 450ST  
**Size:** 8                                        **Orientation:** VUVD                                        **Meters:**  
**Manual:** 10                                   **0.25% Pb:** Yes    **Spare Parts Only:** No  
**Approved:** 18-Dec-2018                                    **Renewed:** 18-Dec-2021                                   **Bypass:**  
**Shutoffs:** (kkkkk),yyy,ssss,uuuu,vvvv,xxxx,yyyy,aaaaa,l1lll,ggggggg,iiiiiii,jjjjjj,l1llll,mmmmmm,ooooo

**Type:** DC                                   **Manufacturer:** Wilkins                                   **Model:** 450ST  
**Size:** 10                                   **Orientation:** VUVD                                   **Meters:**  
**Manual:** 10                                   **0.25% Pb:** Yes                                   **Spare Parts Only:** No  
**Approved:** 18-Dec-2018                                   **Renewed:** 18-Dec-2021                                   **Bypass:**  
**Shutoffs:** (kkkkk),yyy,ssss,uuuu,vvvv,xxxx,yyyy,aaaaa,lllll,ggggggg,iiiiii,jjjjjj,lllll,mmmmmm,oooooo

---

**Type:** DC                                   **Manufacturer:** Wilkins                                   **Model:** 450STR  
**Size:** 4                                   **Orientation:** VUVD                                   **Meters:**  
**Manual:** 10                                   **0.25% Pb:** Yes                                   **Spare Parts Only:** No  
**Approved:** 13-Jun-2018                                   **Renewed:** 13-Jun-2021                                   **Bypass:**  
**Shutoffs:** (kkkkk),yyy,ssss,uuuu,vvvv,xxxx,yyyy,aaaaa,lllll,ggggggg,iiiiii,jjjjjj,lllll,mmmmmm,oooooo

---

**Type:** DC                                   **Manufacturer:** Wilkins                                   **Model:** 450STR  
**Size:** 6                                   **Orientation:** VUVD                                   **Meters:**  
**Manual:** 10                                   **0.25% Pb:** Yes                                   **Spare Parts Only:** No  
**Approved:** 13-Jun-2018                                   **Renewed:** 13-Jun-2021                                   **Bypass:**  
**Shutoffs:** (kkkkk),yyy,ssss,uuuu,vvvv,xxxx,yyyy,aaaaa,lllll,ggggggg,iiiiii,jjjjjj,lllll,mmmmmm,oooooo

---

**Type:** DC                                   **Manufacturer:** Wilkins                                   **Model:** 450STR  
**Size:** 8                                   **Orientation:** VUVD                                   **Meters:**  
**Manual:** 10                                   **0.25% Pb:** Yes                                   **Spare Parts Only:** No  
**Approved:** 18-Dec-2018                                   **Renewed:** 18-Dec-2021                                   **Bypass:**  
**Shutoffs:** (kkkkk),yyy,ssss,uuuu,vvvv,xxxx,yyyy,aaaaa,lllll,ggggggg,iiiiii,jjjjjj,lllll,mmmmmm,oooooo

---

**Type:** DC                                   **Manufacturer:** Wilkins                                   **Model:** 450STR  
**Size:** 10                                   **Orientation:** VUVD                                   **Meters:**  
**Manual:** 10                                   **0.25% Pb:** Yes                                   **Spare Parts Only:** No  
**Approved:** 18-Dec-2018                                   **Renewed:** 18-Dec-2021                                   **Bypass:**  
**Shutoffs:** (kkkkk),yyy,ssss,uuuu,vvvv,xxxx,yyyy,aaaaa,lllll,ggggggg,iiiiii,jjjjjj,lllll,mmmmmm,oooooo

---

**Type:** DC                                   **Manufacturer:** Wilkins                                   **Model:** 450XL  
**Size:** 2 1/2                                   **Orientation:** VUVD                                   **Meters:**  
**Manual:** 9                                   **0.25% Pb:** No                                   **Spare Parts Only:** No  
**Approved:** 14-Apr-2010                                   **Renewed:** 14-Apr-2022                                   **Bypass:**  
**Shutoffs:** (gg),hh,ppp,qqq,ssss,tttt,vvvv,www,yyyy,zzzz

---

**Type:** DC                                   **Manufacturer:** Wilkins                                   **Model:** 450XL  
**Size:** 2 1/2                                   **Orientation:** VUVD                                   **Meters:**  
**Manual:** 9                                   **0.25% Pb:** Yes                                   **Spare Parts Only:** No  
**Approved:** 14-Apr-2010                                   **Renewed:** 14-Apr-2022                                   **Bypass:**  
**Shutoffs:** (gg),hh,ppp,qqq,ssss,tttt,vvvv,www,yyyy,zzzz

**Type:** DC                                   **Manufacturer:** Wilkins                                   **Model:** 450XL  
**Size:** 3                                       **Orientation:** VUVD                                       **Meters:**  
**Manual:** 9                                   **0.25% Pb:** No   **Spare Parts Only:** No  
**Approved:** 14-Apr-2010                                   **Renewed:** 14-Apr-2022                                   **Bypass:**  
**Shutoffs:** (gg),hh,ppp,qqq,ssss,tttt,vvvv,www,yyyy,zzzz

---

**Type:** DC                                   **Manufacturer:** Wilkins                                   **Model:** 450XL  
**Size:** 3                                       **Orientation:** VUVD                                       **Meters:**  
**Manual:** 9                                   **0.25% Pb:** Yes   **Spare Parts Only:** No  
**Approved:** 14-Apr-2010                                   **Renewed:** 14-Apr-2022                                   **Bypass:**  
**Shutoffs:** (gg),hh,ppp,qqq,vvv,www,ssss,tttt,vvvv,www,yyyy,zzzz

---

**Type:** DC                                   **Manufacturer:** Wilkins                                   **Model:** 450XL  
**Size:** 4                                       **Orientation:** VUVD                                       **Meters:**  
**Manual:** 9                                   **0.25% Pb:** No   **Spare Parts Only:** No  
**Approved:** 14-Apr-2010                                   **Renewed:** 14-Apr-2022                                   **Bypass:**  
**Shutoffs:** (gg),hh,ppp,qqq,vvv,www,ssss,tttt,vvvv,www,yyyy,zzzz

---

**Type:** DC                                   **Manufacturer:** Wilkins                                   **Model:** 450XL  
**Size:** 4                                       **Orientation:** VUVD                                       **Meters:**  
**Manual:** 9                                   **0.25% Pb:** Yes   **Spare Parts Only:** No  
**Approved:** 14-Apr-2010                                   **Renewed:** 14-Apr-2022                                   **Bypass:**  
**Shutoffs:** (gg),hh,ppp,qqq,vvv,www,ssss,tttt,vvvv,www,yyyy,zzzz

---

**Type:** DC                                   **Manufacturer:** Wilkins                                   **Model:** 450XL  
**Size:** 6                                       **Orientation:** VUVD                                       **Meters:**  
**Manual:** 9                                   **0.25% Pb:** No   **Spare Parts Only:** No  
**Approved:** 14-Apr-2010                                   **Renewed:** 14-Apr-2022                                   **Bypass:**  
**Shutoffs:** (gg),hh,ppp,qqq,vvv,www,ssss,tttt,vvvv,www,yyyy,zzzz

---

**Type:** DC                                   **Manufacturer:** Wilkins                                   **Model:** 450XL  
**Size:** 6                                       **Orientation:** VUVD                                       **Meters:**  
**Manual:** 9                                   **0.25% Pb:** Yes   **Spare Parts Only:** No  
**Approved:** 14-Apr-2010                                   **Renewed:** 14-Apr-2022                                   **Bypass:**  
**Shutoffs:** (gg),hh,ppp,qqq,vvv,www,ssss,tttt,vvvv,www,yyyy,zzzz

---

**Type:** DC                                   **Manufacturer:** Wilkins                                   **Model:** 450XL  
**Size:** 8                                       **Orientation:** VUVD                                       **Meters:**  
**Manual:** 9                                   **0.25% Pb:** No   **Spare Parts Only:** No  
**Approved:** 25-Mar-2010                                   **Renewed:** 25-Mar-2022                                   **Bypass:**  
**Shutoffs:** (gg),hh,ppp,qqq,vvv,www,ssss,tttt,vvvv,www,yyyy,zzzz

**Type:** DC                                   **Manufacturer:** Wilkins                   **Model:** 450XL  
**Size:** 8                                   **Orientation:** VUVD                   **Meters:**  
**Manual:** 9                               **0.25% Pb:** Yes                       **Spare Parts Only:** No  
**Approved:** 25-Mar-2010               **Renewed:** 25-Mar-2022               **Bypass:**  
**Shutoffs:** (gg),hh,ppp,qqq,vvv,www,ssss,tttt,vvvv,wwww,yyyy,zzzz

---

**Type:** DC                                   **Manufacturer:** Wilkins                   **Model:** 450XL  
**Size:** 10                                  **Orientation:** VUVD                   **Meters:**  
**Manual:** 9                               **0.25% Pb:** No                       **Spare Parts Only:** No  
**Approved:** 25-Mar-2010               **Renewed:** 25-Mar-2022               **Bypass:**  
**Shutoffs:** (gg),hh,ppp,qqq,vvv,www,ssss,tttt,vvvv,wwww,yyyy,zzzz

---

**Type:** DC                                   **Manufacturer:** Wilkins                   **Model:** 450XL  
**Size:** 10                                  **Orientation:** VUVD                   **Meters:**  
**Manual:** 9                               **0.25% Pb:** Yes                       **Spare Parts Only:** No  
**Approved:** 25-Mar-2010               **Renewed:** 25-Mar-2022               **Bypass:**  
**Shutoffs:** (hh),ssss,tttt,xxxx,yyyy,zzzz,aaaa

---

**Type:** DC                                   **Manufacturer:** Wilkins                   **Model:** 550  
**Size:** 3/4                               **Orientation:** H                       **Meters:**  
**Manual:** 5                               **0.25% Pb:** No                       **Spare Parts Only:** Yes  
**Approved:** 11-Oct-1976               **Renewed:** 11-Oct-2021               **Bypass:**  
**Shutoffs:** (ppp),qqq,sss,ttt,yyy,ssss,uuuu,vvvv,xxxx,yyyy,aaaa

---

**Type:** DC                                   **Manufacturer:** Wilkins                   **Model:** 550  
**Size:** 1                                  **Orientation:** H                       **Meters:**  
**Manual:** 5                               **0.25% Pb:** No                       **Spare Parts Only:** Yes  
**Approved:** 11-Oct-1976               **Renewed:** 11-Oct-2021               **Bypass:**  
**Shutoffs:** (ppp),qqq,sss,ttt,yyy,ssss,uuuu,vvvv,xxxx,yyyy,aaaa

---

**Type:** DC                                   **Manufacturer:** Wilkins                   **Model:** 550  
**Size:** 1 1/4                              **Orientation:** H                       **Meters:**  
**Manual:** 5                               **0.25% Pb:** No                       **Spare Parts Only:** Yes  
**Approved:** 11-Oct-1976               **Renewed:** 11-Oct-2021               **Bypass:**  
**Shutoffs:** (ppp),qqq,sss,ttt,yyy,ssss,uuuu,vvvv,xxxx,yyyy,aaaa

---

**Type:** DC                                   **Manufacturer:** Wilkins                   **Model:** 550  
**Size:** 1 1/2                              **Orientation:** H                       **Meters:**  
**Manual:** 5                               **0.25% Pb:** No                       **Spare Parts Only:** Yes  
**Approved:** 11-Oct-1976               **Renewed:** 11-Oct-2021               **Bypass:**  
**Shutoffs:** (ppp),qqq,sss,ttt,yyy,ssss,uuuu,vvvv,xxxx,yyyy,aaaa

**Type:** DC  
**Size:** 1 1/2  
**Manual:** 5  
**Approved:** 11-Oct-1976  
**Shutoffs:** (ppp),qqq,sss,ttt,yyy,ssss,uuuu,vvvv,xxxx,yyyy,aaaaa

**Manufacturer:** Wilkins  
**Orientation:** H  
**0.25% Pb:** No  
**Renewed:** 11-Oct-2021

**Model:** 550  
**Meters:**  
**Spare Parts Only:** Yes  
**Bypass:**

---

**Type:** DC  
**Size:** 2  
**Manual:** 5  
**Approved:** 11-Oct-1976  
**Shutoffs:** (ppp),qqq,sss,ttt,yyy,ssss,uuuu,vvvv,xxxx,yyyy,aaaaa

**Manufacturer:** Wilkins  
**Orientation:** H  
**0.25% Pb:** No  
**Renewed:** 11-Oct-2021

**Model:** 550  
**Meters:**  
**Spare Parts Only:** Yes  
**Bypass:**

---

**Type:** DC  
**Size:** 2 1/2  
**Manual:** 7  
**Approved:** 25-Sep-1986  
**Shutoffs:** (ppp),qqq,sss,ttt,yyy,ssss,uuuu,vvvv,xxxx,yyyy,aaaaa

**Manufacturer:** Wilkins  
**Orientation:** H  
**0.25% Pb:** No  
**Renewed:** 25-Sep-2019

**Model:** 550  
**Meters:**  
**Spare Parts Only:** Yes  
**Bypass:**

---

**Type:** DC  
**Size:** 3  
**Manual:** 5  
**Approved:** 20-Aug-1979  
**Shutoffs:** (ppp),qqq,sss,ttt,yyy,ssss,uuuu,vvvv,xxxx,yyyy,aaaaa

**Manufacturer:** Wilkins  
**Orientation:** H  
**0.25% Pb:** No  
**Renewed:** 20-Aug-2021

**Model:** 550  
**Meters:**  
**Spare Parts Only:** Yes  
**Bypass:**

---

**Type:** DC  
**Size:** 4  
**Manual:** 5  
**Approved:** 20-Jun-1980  
**Shutoffs:** (ppp),qqq,sss,ttt,www,yyy,ssss,uuuu,vvvv,xxxx,yyyy,aaaaa

**Manufacturer:** Wilkins  
**Orientation:** H  
**0.25% Pb:** No  
**Renewed:** 20-Jun-2022

**Model:** 550  
**Meters:**  
**Spare Parts Only:** Yes  
**Bypass:**

---

**Type:** DC  
**Size:** 6  
**Manual:** 6  
**Approved:** 06-Jul-1981  
**Shutoffs:** (ppp),qqq,sss,ttt,www,yyy,ssss,uuuu,vvvv,xxxx,yyyy,aaaaa

**Manufacturer:** Wilkins  
**Orientation:** H  
**0.25% Pb:** No  
**Renewed:** 06-Jul-2020

**Model:** 550  
**Meters:**  
**Spare Parts Only:** Yes  
**Bypass:**

---

**Type:** DC  
**Size:** 3/4  
**Manual:** 7  
**Approved:** 17-Apr-1987  
**Shutoffs:** (ppp),qqq,sss,ttt,yyy,ssss,uuuu,vvvv,xxxx,yyyy,aaaaa

**Manufacturer:** Wilkins  
**Orientation:** H  
**0.25% Pb:** No  
**Renewed:** 17-Apr-2020

**Model:** 550A  
**Meters:**  
**Spare Parts Only:** Yes  
**Bypass:**

**Type:** DC  
**Size:** 1  
**Manual:** 7  
**Approved:** 17-Apr-1987  
**Shutoffs:** (ppp),qqq,sss,ttt,yyy,ssss,uuuu,vvvv,xxxx,yyyy,aaaaa

**Manufacturer:** Wilkins  
**Orientation:** H  
**0.25% Pb:** No  
**Renewed:** 17-Apr-2020

**Model:** 550A  
**Meters:**  
**Spare Parts Only:** Yes  
**Bypass:**

---

**Type:** DC  
**Size:** 8  
**Manual:** 8  
**Approved:** 15-Mar-1989  
**Shutoffs:** (ppp),sss,ttt,qqq,yyy,zzz,dddd,ssss,uuuu,vvvv,xxxx,yyyy,aaaaa  
**Notes:** 4"x4"x8" Manifold Formerly MBD

**Manufacturer:** Wilkins  
**Orientation:** H  
**0.25% Pb:** No  
**Renewed:** 15-Mar-2022

**Model:** 550M  
**Meters:**  
**Spare Parts Only:** Yes  
**Bypass:**

---

**Type:** DC  
**Size:** 10  
**Manual:** 6  
**Approved:** 11-Apr-1983  
**Shutoffs:** (ppp),sss,ttt,qqq,yyy,zzz,dddd,ssss,uuuu,vvvv,xxxx,yyyy,aaaaa  
**Notes:** 6"x6"x10" Manifold Formerly MBD

**Manufacturer:** Wilkins  
**Orientation:** H  
**0.25% Pb:** No  
**Renewed:** 11-Apr-2022

**Model:** 550M  
**Meters:**  
**Spare Parts Only:** Yes  
**Bypass:**

---

**Type:** DC  
**Size:** 3/4  
**Manual:** 8  
**Approved:** 18-Jul-1991  
**Shutoffs:** (ppp),sss,ttt,qqq,yyy,zzz,dddd,ssss,uuuu,vvvv,xxxx,yyyy,aaaaa

**Manufacturer:** Wilkins  
**Orientation:** H  
**0.25% Pb:** No  
**Renewed:** 18-Jul-2021

**Model:** 950  
**Meters:**  
**Spare Parts Only:** Yes  
**Bypass:**

---

**Type:** DC  
**Size:** 1  
**Manual:** 8  
**Approved:** 18-Jul-1991  
**Shutoffs:** (ppp),sss,ttt,qqq,yyy,zzz,dddd,ssss,uuuu,vvvv,xxxx,yyyy,aaaaa

**Manufacturer:** Wilkins  
**Orientation:** H  
**0.25% Pb:** No  
**Renewed:** 18-Jul-2021

**Model:** 950  
**Meters:**  
**Spare Parts Only:** Yes  
**Bypass:**

---

**Type:** DC  
**Size:** 1 1/4  
**Manual:** 8  
**Approved:** 05-Apr-1991  
**Shutoffs:** (ppp),qqq,sss,ttt,www,yyy,zzz,dddd,eeee,ssss,uuuu,vvvv,xxxx,yyyy,aaaaa

**Manufacturer:** Wilkins  
**Orientation:** H  
**0.25% Pb:** No  
**Renewed:** 05-Apr-2021

**Model:** 950  
**Meters:**  
**Spare Parts Only:** Yes  
**Bypass:**

**Type:** DC                              **Manufacturer:** Wilkins                              **Model:** 950  
**Size:** 1 1/2                              **Orientation:** H                              **Meters:**  
**Manual:** 8                              **0.25% Pb:** No                              **Spare Parts Only:** Yes  
**Approved:** 05-Apr-1991                              **Renewed:** 05-Apr-2021                              **Bypass:**  
**Shutoffs:** (ppp),qqq,sss,ttt,www,yyy,zzz,dddd,eeee,ssss,uuuu,vvvv,xxxx,yyyy,aaaaa

---

**Type:** DC                              **Manufacturer:** Wilkins                              **Model:** 950  
**Size:** 2                              **Orientation:** H                              **Meters:**  
**Manual:** 8                              **0.25% Pb:** No                              **Spare Parts Only:** Yes  
**Approved:** 05-Apr-1991                              **Renewed:** 05-Apr-2021                              **Bypass:**  
**Shutoffs:** (ppp),qqq,sss,ttt,www,yyy,zzz,dddd,eeee,ssss,uuuu,vvvv,xxxx,yyyy,aaaaa

---

**Type:** DC                              **Manufacturer:** Wilkins                              **Model:** 950  
**Size:** 2 1/2                              **Orientation:** H                              **Meters:**  
**Manual:** 8                              **0.25% Pb:** No                              **Spare Parts Only:** Yes  
**Approved:** 26-Nov-1991                              **Renewed:** 26-Nov-2021                              **Bypass:**  
**Shutoffs:** (ppp),qqq,sss,ttt,www,yyy,zzz,dddd,eeee,ssss,uuuu,vvvv,xxxx,yyyy,aaaaa

---

**Type:** DC                              **Manufacturer:** Wilkins                              **Model:** 950  
**Size:** 3                              **Orientation:** H                              **Meters:**  
**Manual:** 8                              **0.25% Pb:** No                              **Spare Parts Only:** Yes  
**Approved:** 08-Nov-1991                              **Renewed:** 08-Nov-2021                              **Bypass:**  
**Shutoffs:** (ppp),qqq,sss,ttt,www,yyy,zzz,dddd,eeee,ssss,uuuu,vvvv,xxxx,yyyy,aaaaa

---

**Type:** DC                              **Manufacturer:** Wilkins                              **Model:** 950  
**Size:** 4                              **Orientation:** H                              **Meters:**  
**Manual:** 8                              **0.25% Pb:** No                              **Spare Parts Only:** Yes  
**Approved:** 08-Nov-1991                              **Renewed:** 08-Nov-2021                              **Bypass:**  
**Shutoffs:** (ppp),qqq,sss,ttt,www,yyy,zzz,dddd,eeee,ssss,uuuu,vvvv,xxxx,yyyy,aaaaa

---

**Type:** DC                              **Manufacturer:** Wilkins                              **Model:** 950  
**Size:** 4                              **Orientation:** VU                              **Meters:**  
**Manual:** 8                              **0.25% Pb:** No                              **Spare Parts Only:** Yes  
**Approved:** 29-Aug-1995                              **Renewed:** 29-Aug-2022                              **Bypass:**  
**Shutoffs:** (ppp),qqq,sss,ttt,www,yyy,zzz,dddd,eeee,ssss,uuuu,vvvv,xxxx,yyyy,aaaaa

---

**Type:** DC                              **Manufacturer:** Wilkins                              **Model:** 950  
**Size:** 6                              **Orientation:** H                              **Meters:**  
**Manual:** 8                              **0.25% Pb:** No                              **Spare Parts Only:** Yes  
**Approved:** 18-Mar-1992                              **Renewed:** 18-Mar-2022                              **Bypass:**  
**Shutoffs:** (ppp),qqq,sss,ttt,www,yyy,zzz,dddd,eeee,ssss,uuuu,vvvv,xxxx,yyyy,aaaaa



<b>Type:</b> DC	<b>Manufacturer:</b> Wilkins	<b>Model:</b> 950
<b>Size:</b> 6	<b>Orientation:</b> VU	<b>Meters:</b>
<b>Manual:</b> 8	<b>0.25% Pb:</b> No	<b>Spare Parts Only:</b> Yes
<b>Approved:</b> 29-Aug-1995	<b>Renewed:</b> 29-Aug-2022	<b>Bypass:</b>

**Shutoffs:** (gg),hh,ppp,qqq,ssss,uuuu,vvvv,xxxx,yyyy,aaaaa

---

<b>Type:</b> DC	<b>Manufacturer:</b> Wilkins	<b>Model:</b> 950
<b>Size:</b> 8	<b>Orientation:</b> H	<b>Meters:</b>
<b>Manual:</b> 8	<b>0.25% Pb:</b> No	<b>Spare Parts Only:</b> Yes
<b>Approved:</b> 18-Mar-1989	<b>Renewed:</b> 18-Mar-2022	<b>Bypass:</b>

**Shutoffs:** (gg),hh,ppp,qqq,ssss,uuuu,vvvv,xxxx,yyyy,aaaaa

---

<b>Type:</b> DC	<b>Manufacturer:</b> Wilkins	<b>Model:</b> 950
<b>Size:</b> 8	<b>Orientation:</b> VU	<b>Meters:</b>
<b>Manual:</b> 8	<b>0.25% Pb:</b> No	<b>Spare Parts Only:</b> Yes
<b>Approved:</b> 29-Aug-1995	<b>Renewed:</b> 29-Aug-2022	<b>Bypass:</b>

**Shutoffs:** (ppp),qqq,sss,ttt,www,yyy,ssss,uuuu,vvvv,xxxx,yyyy,aaaaa

---

<b>Type:</b> DC	<b>Manufacturer:</b> Wilkins	<b>Model:</b> 950
<b>Size:</b> 10	<b>Orientation:</b> H	<b>Meters:</b>
<b>Manual:</b> 8	<b>0.25% Pb:</b> No	<b>Spare Parts Only:</b> Yes
<b>Approved:</b> 12-Apr-1994	<b>Renewed:</b> 12-Apr-2021	<b>Bypass:</b>

**Shutoffs:** (ppp),qqq,sss,ttt,www,yyy,ssss,uuuu,vvvv,xxxx,yyyy,aaaaa

---

<b>Type:</b> DC	<b>Manufacturer:</b> Wilkins	<b>Model:</b> 950A
<b>Size:</b> 3/4	<b>Orientation:</b> H	<b>Meters:</b>
<b>Manual:</b> 8	<b>0.25% Pb:</b> No	<b>Spare Parts Only:</b> Yes
<b>Approved:</b> 18-Jul-1991	<b>Renewed:</b> 18-Jul-2021	<b>Bypass:</b>

**Shutoffs:** (ppp),qqq,sss,ttt,www,yyy,ssss,uuuu,vvvv,xxxx,yyyy,aaaaa

---

<b>Type:</b> DC	<b>Manufacturer:</b> Wilkins	<b>Model:</b> 950A
<b>Size:</b> 1	<b>Orientation:</b> H	<b>Meters:</b>
<b>Manual:</b> 8	<b>0.25% Pb:</b> No	<b>Spare Parts Only:</b> Yes
<b>Approved:</b> 18-Jul-1991	<b>Renewed:</b> 18-Jul-2021	<b>Bypass:</b>

**Shutoffs:** (ppp),qqq,sss,ttt,www,yyy,ssss,uuuu,vvvv,xxxx,yyyy,aaaaa

---

<b>Type:</b> DC	<b>Manufacturer:</b> Wilkins	<b>Model:</b> 950A
<b>Size:</b> 1 1/4	<b>Orientation:</b> H	<b>Meters:</b>
<b>Manual:</b> 8	<b>0.25% Pb:</b> No	<b>Spare Parts Only:</b> Yes
<b>Approved:</b> 18-Jul-1991	<b>Renewed:</b> 18-Jul-2021	<b>Bypass:</b>

**Shutoffs:** ii

**Type:** DC                                      **Manufacturer:** Wilkins                                      **Model:** 950A  
**Size:** 1 1/2                                      **Orientation:** H                                      **Meters:**  
**Manual:** 8                                      **0.25% Pb:** No                                      **Spare Parts Only:** Yes  
**Approved:** 18-Jul-1991                                      **Renewed:** 18-Jul-2021                                      **Bypass:**  
**Shutoffs:** ii

---

**Type:** DC                                      **Manufacturer:** Wilkins                                      **Model:** 950A  
**Size:** 2                                      **Orientation:** H                                      **Meters:**  
**Manual:** 8                                      **0.25% Pb:** No                                      **Spare Parts Only:** Yes  
**Approved:** 18-Jul-1991                                      **Renewed:** 18-Jul-2021                                      **Bypass:**  
**Shutoffs:** ii

---

**Type:** DC                                      **Manufacturer:** Wilkins                                      **Model:** 950XL  
**Size:** 3/4                                      **Orientation:** H                                      **Meters:**  
**Manual:** 8                                      **0.25% Pb:** No                                      **Spare Parts Only:** No  
**Approved:** 02-Nov-1992                                      **Renewed:** 02-Nov-2019                                      **Bypass:**  
**Shutoffs:** (ii),000  
**Notes:** Testcocks: Female Threaded End or 45 degree male SAE flare

---

**Type:** DC                                      **Manufacturer:** Wilkins                                      **Model:** 950XL  
**Size:** 3/4                                      **Orientation:** VU                                      **Meters:**  
**Manual:** 8                                      **0.25% Pb:** No                                      **Spare Parts Only:** No  
**Approved:** 12-Dec-1996                                      **Renewed:** 12-Dec-2020                                      **Bypass:**  
**Shutoffs:** (ii),000  
**Notes:** Testcocks: Female Threaded End or 45 degree male SAE flare

---

**Type:** DC                                      **Manufacturer:** Wilkins                                      **Model:** 950XL  
**Size:** 1                                      **Orientation:** H                                      **Meters:**  
**Manual:** 8                                      **0.25% Pb:** No                                      **Spare Parts Only:** No  
**Approved:** 02-Nov-1992                                      **Renewed:** 02-Nov-2019                                      **Bypass:**  
**Shutoffs:** (ii),000  
**Notes:** Testcocks: Female Threaded End or 45 degree male SAE flare

---

**Type:** DC                                      **Manufacturer:** Wilkins                                      **Model:** 950XL  
**Size:** 1 1/4                                      **Orientation:** H                                      **Meters:**  
**Manual:** 8                                      **0.25% Pb:** No                                      **Spare Parts Only:** No  
**Approved:** 02-Nov-1992                                      **Renewed:** 02-Nov-2019                                      **Bypass:**  
**Shutoffs:** (ii),000,ggg

**Type:** DC  
**Size:** 1 1/2  
**Manual:** 8  
**Approved:** 02-Nov-1992  
**Shutoffs:** (ii),ooo

**Manufacturer:** Wilkins  
**Orientation:** H  
**0.25% Pb:** No  
**Renewed:** 02-Nov-2019

**Model:** 950XL  
**Meters:**  
**Spare Parts Only:** No  
**Bypass:**

---

**Type:** DC  
**Size:** 2  
**Manual:** 8  
**Approved:** 02-Nov-1992  
**Shutoffs:** (ii),bbb,ooo

**Manufacturer:** Wilkins  
**Orientation:** H  
**0.25% Pb:** No  
**Renewed:** 02-Nov-2019

**Model:** 950XL  
**Meters:**  
**Spare Parts Only:** No  
**Bypass:**

---

**Type:** DC  
**Size:** 3/4  
**Manual:** 10  
**Approved:** 06-Sep-2022  
**Shutoffs:** (iii)

**Manufacturer:** Wilkins  
**Orientation:** H  
**0.25% Pb:** Yes  
**Renewed:**

**Model:** 950XL3  
**Meters:**  
**Spare Parts Only:** No  
**Bypass:**

---

**Type:** DC  
**Size:** 3/4  
**Manual:** 10  
**Approved:** 06-Sep-2022  
**Shutoffs:** (iii)

**Manufacturer:** Wilkins  
**Orientation:** VU  
**0.25% Pb:** Yes  
**Renewed:**

**Model:** 950XL3  
**Meters:**  
**Spare Parts Only:** No  
**Bypass:**

---

**Type:** DC  
**Size:** 1  
**Manual:** 10  
**Approved:** 06-Sep-2022  
**Shutoffs:** (iii)

**Manufacturer:** Wilkins  
**Orientation:** H  
**0.25% Pb:** Yes  
**Renewed:**

**Model:** 950XL3  
**Meters:**  
**Spare Parts Only:** No  
**Bypass:**

---

**Type:** DC  
**Size:** 1  
**Manual:** 10  
**Approved:** 06-Sep-2022  
**Shutoffs:** (iii)

**Manufacturer:** Wilkins  
**Orientation:** VU  
**0.25% Pb:** Yes  
**Renewed:**

**Model:** 950XL3  
**Meters:**  
**Spare Parts Only:** No  
**Bypass:**

---

**Type:** DC  
**Size:** 1 1/4  
**Manual:** 10  
**Approved:** 06-Sep-2022  
**Shutoffs:** (iii)

**Manufacturer:** Wilkins  
**Orientation:** H  
**0.25% Pb:** Yes  
**Renewed:**

**Model:** 950XL3  
**Meters:**  
**Spare Parts Only:** No  
**Bypass:**

**Type:** DC  
**Size:** 1 1/4  
**Manual:** 10  
**Approved:** 06-Sep-2022  
**Shutoffs:** (iii)

**Manufacturer:** Wilkins  
**Orientation:** VU  
**0.25% Pb:** Yes  
**Renewed:**

**Model:** 950XL3  
**Meters:**  
**Spare Parts Only:** No  
**Bypass:**

---

**Type:** DC  
**Size:** 1 1/2  
**Manual:** 10  
**Approved:** 06-Sep-2022  
**Shutoffs:** (iii)

**Manufacturer:** Wilkins  
**Orientation:** H  
**0.25% Pb:** Yes  
**Renewed:**

**Model:** 950XL3  
**Meters:**  
**Spare Parts Only:** No  
**Bypass:**

---

**Type:** DC  
**Size:** 1 1/2  
**Manual:** 10  
**Approved:** 06-Sep-2022  
**Shutoffs:** (iii)

**Manufacturer:** Wilkins  
**Orientation:** VU  
**0.25% Pb:** Yes  
**Renewed:**

**Model:** 950XL3  
**Meters:**  
**Spare Parts Only:** No  
**Bypass:**

---

**Type:** DC  
**Size:** 2  
**Manual:** 10  
**Approved:** 06-Sep-2022  
**Shutoffs:** (iii)

**Manufacturer:** Wilkins  
**Orientation:** H  
**0.25% Pb:** Yes  
**Renewed:**

**Model:** 950XL3  
**Meters:**  
**Spare Parts Only:** No  
**Bypass:**

---

**Type:** DC  
**Size:** 2  
**Manual:** 10  
**Approved:** 06-Sep-2022  
**Shutoffs:** (iii)

**Manufacturer:** Wilkins  
**Orientation:** VU  
**0.25% Pb:** Yes  
**Renewed:**

**Model:** 950XL3  
**Meters:**  
**Spare Parts Only:** No  
**Bypass:**

---

**Type:** DC  
**Size:** 3/4  
**Manual:** 10  
**Approved:** 06-Sep-2022  
**Shutoffs:** (mmmmm)

**Manufacturer:** Wilkins  
**Orientation:** H  
**0.25% Pb:** Yes  
**Renewed:**

**Model:** 950XL3U  
**Meters:**  
**Spare Parts Only:** No  
**Bypass:**

---

**Type:** DC  
**Size:** 3/4  
**Manual:** 10  
**Approved:** 06-Sep-2022  
**Shutoffs:** (mmmmm)

**Manufacturer:** Wilkins  
**Orientation:** VU  
**0.25% Pb:** Yes  
**Renewed:**

**Model:** 950XL3U  
**Meters:**  
**Spare Parts Only:** No  
**Bypass:**

**Type:** DC  
**Size:** 1  
**Manual:** 10  
**Approved:** 06-Sep-2022  
**Shutoffs:** (mmmmm)

**Manufacturer:** Wilkins  
**Orientation:** H  
**0.25% Pb:** Yes  
**Renewed:**

**Model:** 950XL3U  
**Meters:**  
**Spare Parts Only:** No  
**Bypass:**

---

**Type:** DC  
**Size:** 1  
**Manual:** 10  
**Approved:** 06-Sep-2022  
**Shutoffs:** (mmmmm)

**Manufacturer:** Wilkins  
**Orientation:** VU  
**0.25% Pb:** Yes  
**Renewed:**

**Model:** 950XL3U  
**Meters:**  
**Spare Parts Only:** No  
**Bypass:**

---

**Type:** DC  
**Size:** 1 1/4  
**Manual:** 10  
**Approved:** 06-Sep-2022  
**Shutoffs:** (mmmmm)

**Manufacturer:** Wilkins  
**Orientation:** H  
**0.25% Pb:** Yes  
**Renewed:**

**Model:** 950XL3U  
**Meters:**  
**Spare Parts Only:** No  
**Bypass:**

---

**Type:** DC  
**Size:** 1 1/4  
**Manual:** 10  
**Approved:** 06-Sep-2022  
**Shutoffs:** (mmmmm)

**Manufacturer:** Wilkins  
**Orientation:** VU  
**0.25% Pb:** Yes  
**Renewed:**

**Model:** 950XL3U  
**Meters:**  
**Spare Parts Only:** No  
**Bypass:**

---

**Type:** DC  
**Size:** 1 1/2  
**Manual:** 10  
**Approved:** 06-Sep-2022  
**Shutoffs:** (mmmmm)

**Manufacturer:** Wilkins  
**Orientation:** H  
**0.25% Pb:** Yes  
**Renewed:**

**Model:** 950XL3U  
**Meters:**  
**Spare Parts Only:** No  
**Bypass:**

---

**Type:** DC  
**Size:** 1 1/2  
**Manual:** 10  
**Approved:** 06-Sep-2022  
**Shutoffs:** (mmmmm)

**Manufacturer:** Wilkins  
**Orientation:** VU  
**0.25% Pb:** Yes  
**Renewed:**

**Model:** 950XL3U  
**Meters:**  
**Spare Parts Only:** No  
**Bypass:**

---

**Type:** DC  
**Size:** 2  
**Manual:** 10  
**Approved:** 06-Sep-2022  
**Shutoffs:** (mmmmm)

**Manufacturer:** Wilkins  
**Orientation:** H  
**0.25% Pb:** Yes  
**Renewed:**

**Model:** 950XL3U  
**Meters:**  
**Spare Parts Only:** No  
**Bypass:**

**Type:** DC                                  **Manufacturer:** Wilkins                                  **Model:** 950XL3U  
**Size:** 2                                        **Orientation:** VU    **Meters:**  
**Manual:** 10                                 **0.25% Pb:** Yes     **Spare Parts Only:** No  
**Approved:** 06-Sep-2022                                  **Renewed:**    **Bypass:**  
**Shutoffs:** (mmmmm)

---

**Type:** DC                                  **Manufacturer:** Wilkins                                  **Model:** 950XLD  
**Size:** 3/4                                       **Orientation:** H    **Meters:**  
**Manual:** 9                                      **0.25% Pb:** No    **Spare Parts Only:** No  
**Approved:** 15-Sep-1999                                  **Renewed:** 15-Sep-2020                                        **Bypass:**  
**Shutoffs:** (ii),ooo, iiiii, mmmmm  
**Notes:** Up to Serial # 3863324 Testcocks: Female Threaded End or 45 degree male SAE flare

---

**Type:** DC                                  **Manufacturer:** Wilkins                                  **Model:** 950XLD  
**Size:** 3/4                                       **Orientation:** H    **Meters:**  
**Manual:** 9                                      **0.25% Pb:** Yes     **Spare Parts Only:** No  
**Approved:** 15-Sep-1999                                  **Renewed:** 15-Sep-2020                                        **Bypass:**  
**Shutoffs:** (ii),ooo, iiiii, mmmmm  
**Notes:** Starting at Serial # 3863325 Testcocks: Female Threaded End or 45 degree male SAE flare

---

**Type:** DC                                  **Manufacturer:** Wilkins                                  **Model:** 950XLD  
**Size:** 3/4                                       **Orientation:** H    **Meters:**  
**Manual:** 10                                    **0.25% Pb:** No     **Spare Parts Only:** No  
**Approved:** 03-Jul-2013                                  **Renewed:** 03-Jul-2022                                        **Bypass:**  
**Shutoffs:** (iii), mmmmm  
**Notes:** Up to Serial # 3863324 Testcocks: Female Threaded End or 45 degree male SAE flare

---

**Type:** DC                                  **Manufacturer:** Wilkins                                  **Model:** 950XLD  
**Size:** 3/4                                       **Orientation:** H    **Meters:**  
**Manual:** 10                                    **0.25% Pb:** Yes     **Spare Parts Only:** No  
**Approved:** 03-Jul-2013                                  **Renewed:** 03-Jul-2022                                        **Bypass:**  
**Shutoffs:** (iii), mmmmm  
**Notes:** Starting at Serial # 3863325 Testcocks: Female Threaded End or 45 degree male SAE flare

---

**Type:** DC                                  **Manufacturer:** Wilkins                                  **Model:** 950XLD  
**Size:** 3/4                                       **Orientation:** VU    **Meters:**  
**Manual:** 9                                      **0.25% Pb:** No     **Spare Parts Only:** No  
**Approved:** 05-Jan-2000                                  **Renewed:** 05-Jan-2020                                        **Bypass:**  
**Shutoffs:** (ii),ooo, iiiii, mmmmm  
**Notes:** Up to Serial # 3863324 Testcocks: Female Threaded End or 45 degree male SAE flare

**Type:** DC                                      **Manufacturer:** Wilkins                                      **Model:** 950XLD  
**Size:** 3/4                                      **Orientation:** VU                                      **Meters:**  
**Manual:** 9                                      **0.25% Pb:** Yes                                      **Spare Parts Only:** No  
**Approved:** 05-Jan-2000                                      **Renewed:** 05-Jan-2020                                      **Bypass:**  
**Shutoffs:** (ii),ooo, iiiii, mmmmm  
**Notes:** Starting at Serial # 3863325 Testcocks: Female Threaded End or 45 degree male SAE flare

---

**Type:** DC                                      **Manufacturer:** Wilkins                                      **Model:** 950XLD  
**Size:** 3/4                                      **Orientation:** VU                                      **Meters:**  
**Manual:** 10                                      **0.25% Pb:** No                                      **Spare Parts Only:** No  
**Approved:** 03-Jul-2013                                      **Renewed:** 03-Jul-2022                                      **Bypass:**  
**Shutoffs:** (iiii), mmmmm  
**Notes:** Up to Serial # 3863324 Testcocks: Female Threaded End or 45 degree male SAE flare

---

**Type:** DC                                      **Manufacturer:** Wilkins                                      **Model:** 950XLD  
**Size:** 3/4                                      **Orientation:** VU                                      **Meters:**  
**Manual:** 10                                      **0.25% Pb:** Yes                                      **Spare Parts Only:** No  
**Approved:** 03-Jul-2013                                      **Renewed:** 03-Jul-2022                                      **Bypass:**  
**Shutoffs:** (iiii), mmmmm  
**Notes:** Starting at Serial # 3863325 Testcocks: Female Threaded End or 45 degree male SAE flare

---

**Type:** DC                                      **Manufacturer:** Wilkins                                      **Model:** 950XLDTCU  
**Size:** 3/4                                      **Orientation:** H                                      **Meters:**  
**Manual:** 10                                      **0.25% Pb:** Yes                                      **Spare Parts Only:** No  
**Approved:** 18-Dec-2018                                      **Renewed:** 18-Dec-2021                                      **Bypass:**  
**Shutoffs:** (iiii), mmmmm

---

**Type:** DC                                      **Manufacturer:** Wilkins                                      **Model:** 950XLT  
**Size:** 3/4                                      **Orientation:** H                                      **Meters:**  
**Manual:** 9                                      **0.25% Pb:** No                                      **Spare Parts Only:** No  
**Approved:** 09-May-1997                                      **Renewed:** 09-May-2021                                      **Bypass:**  
**Shutoffs:** (ii),ooo  
**Notes:** Testcocks: Female Threaded End or 45 degree male SAE flare

---

**Type:** DC                                      **Manufacturer:** Wilkins                                      **Model:** 950XLT  
**Size:** 1                                      **Orientation:** H                                      **Meters:**  
**Manual:** 9                                      **0.25% Pb:** No                                      **Spare Parts Only:** No  
**Approved:** 09-May-1997                                      **Renewed:** 09-May-2021                                      **Bypass:**  
**Shutoffs:** (ii),ooo  
**Notes:** Testcocks: Female Threaded End or 45 degree male SAE flare

<b>Type:</b> DC	<b>Manufacturer:</b> Wilkins	<b>Model:</b> 950XLT
<b>Size:</b> 1 1/4	<b>Orientation:</b> H	<b>Meters:</b>
<b>Manual:</b> 9	<b>0.25% Pb:</b> No	<b>Spare Parts Only:</b> No
<b>Approved:</b> 19-Jun-1998	<b>Renewed:</b> 19-Jun-2022	<b>Bypass:</b>
<b>Shutoffs:</b> (ii),ooo		

---

<b>Type:</b> DC	<b>Manufacturer:</b> Wilkins	<b>Model:</b> 950XLT
<b>Size:</b> 1 1/2	<b>Orientation:</b> H	<b>Meters:</b>
<b>Manual:</b> 9	<b>0.25% Pb:</b> No	<b>Spare Parts Only:</b> No
<b>Approved:</b> 09-Apr-1998	<b>Renewed:</b> 09-Apr-2022	<b>Bypass:</b>
<b>Shutoffs:</b> (ii),ooo		

---

<b>Type:</b> DC	<b>Manufacturer:</b> Wilkins	<b>Model:</b> 950XLT
<b>Size:</b> 2	<b>Orientation:</b> H	<b>Meters:</b>
<b>Manual:</b> 9	<b>0.25% Pb:</b> No	<b>Spare Parts Only:</b> No
<b>Approved:</b> 09-Apr-1998	<b>Renewed:</b> 09-Apr-2022	<b>Bypass:</b>
<b>Shutoffs:</b> (ii),ooo,bbbb,cccc,pppppp		

---

<b>Type:</b> DC	<b>Manufacturer:</b> Wilkins	<b>Model:</b> 950XLT2
<b>Size:</b> 3/4	<b>Orientation:</b> H	<b>Meters:</b>
<b>Manual:</b> 9	<b>0.25% Pb:</b> Yes	<b>Spare Parts Only:</b> No
<b>Approved:</b> 21-Aug-2009	<b>Renewed:</b> 21-Aug-2021	<b>Bypass:</b>
<b>Shutoffs:</b> (iii)		
<b>Notes:</b> Testcocks: Female Threaded End or 45 degree male SAE flare		

---

<b>Type:</b> DC	<b>Manufacturer:</b> Wilkins	<b>Model:</b> 950XLT2
<b>Size:</b> 1	<b>Orientation:</b> H	<b>Meters:</b>
<b>Manual:</b> 9	<b>0.25% Pb:</b> Yes	<b>Spare Parts Only:</b> No
<b>Approved:</b> 21-Aug-2009	<b>Renewed:</b> 21-Aug-2021	<b>Bypass:</b>
<b>Shutoffs:</b> (iii)		
<b>Notes:</b> Testcocks: Female Threaded End or 45 degree male SAE flare		

---

<b>Type:</b> DC	<b>Manufacturer:</b> Wilkins	<b>Model:</b> 950XLT2
<b>Size:</b> 1 1/4	<b>Orientation:</b> H	<b>Meters:</b>
<b>Manual:</b> 9	<b>0.25% Pb:</b> Yes	<b>Spare Parts Only:</b> No
<b>Approved:</b> 21-Aug-2009	<b>Renewed:</b> 21-Aug-2021	<b>Bypass:</b>
<b>Shutoffs:</b> (iii)		



**Type:** DC  
**Size:** 1 1/2  
**Manual:** 9  
**Approved:** 21-Aug-2009  
**Shutoffs:** (iii)

**Manufacturer:** Wilkins  
**Orientation:** H  
**0.25% Pb:** Yes  
**Renewed:** 21-Aug-2021

**Model:** 950XLT2  
**Meters:**  
**Spare Parts Only:** No  
**Bypass:**

---

**Type:** DC  
**Size:** 2  
**Manual:** 9  
**Approved:** 21-Aug-2009  
**Shutoffs:** (iii),pppppp

**Manufacturer:** Wilkins  
**Orientation:** H  
**0.25% Pb:** Yes  
**Renewed:** 21-Aug-2021

**Model:** 950XLT2  
**Meters:**  
**Spare Parts Only:** No  
**Bypass:**

---

**Type:** DC  
**Size:** 2  
**Manual:** 9  
**Approved:** 05-Nov-2021  
**Shutoffs:** (pppppp)

**Manufacturer:** Wilkins  
**Orientation:** H  
**0.25% Pb:** Yes  
**Renewed:**

**Model:** 950XLT2BFSS  
**Meters:**  
**Spare Parts Only:** No  
**Bypass:**

---

**Type:** DC  
**Size:** 3/4  
**Manual:** 9  
**Approved:** 22-Feb-2011  
**Shutoffs:** (mmmmm)

**Manufacturer:** Wilkins  
**Orientation:** H  
**0.25% Pb:** Yes  
**Renewed:** 22-Feb-2020

**Model:** 950XLT2U  
**Meters:**  
**Spare Parts Only:** No  
**Bypass:**

**Notes:** Testcocks: Female Threaded End or 45 degree male SAE flare

---

**Type:** DC  
**Size:** 2  
**Manual:** 9  
**Approved:** 22-Feb-2011  
**Shutoffs:** (bbbb),pppppp

**Manufacturer:** Wilkins  
**Orientation:** H  
**0.25% Pb:** No  
**Renewed:** 22-Feb-2020

**Model:** 950XLTFB  
**Meters:**  
**Spare Parts Only:** No  
**Bypass:**

---

**Type:** DC  
**Size:** 2  
**Manual:** 9  
**Approved:** 22-Feb-2011  
**Shutoffs:** (cccc),pppppp

**Manufacturer:** Wilkins  
**Orientation:** H  
**0.25% Pb:** No  
**Renewed:** 22-Feb-2020

**Model:** 950XLTFBSS  
**Meters:**  
**Spare Parts Only:** No  
**Bypass:**

<b>Type:</b> DC	<b>Manufacturer:</b> Wilkins	<b>Model:</b> 950XLTU
<b>Size:</b> 3/4	<b>Orientation:</b> H	<b>Meters:</b>
<b>Manual:</b> 9	<b>0.25% Pb:</b> No	<b>Spare Parts Only:</b> No
<b>Approved:</b> 14-Aug-2006	<b>Renewed:</b> 14-Aug-2021	<b>Bypass:</b>
<b>Shutoffs:</b> (ggg),xxx		

---

<b>Type:</b> DC	<b>Manufacturer:</b> Wilkins	<b>Model:</b> 950XLTU
<b>Size:</b> 1	<b>Orientation:</b> H	<b>Meters:</b>
<b>Manual:</b> 9	<b>0.25% Pb:</b> No	<b>Spare Parts Only:</b> No
<b>Approved:</b> 14-Aug-2006	<b>Renewed:</b> 14-Aug-2021	<b>Bypass:</b>
<b>Shutoffs:</b> (ggg),xxx		

---

<b>Type:</b> DC	<b>Manufacturer:</b> Wilkins	<b>Model:</b> 950XLU
<b>Size:</b> 3/4	<b>Orientation:</b> H	<b>Meters:</b>
<b>Manual:</b> 8	<b>0.25% Pb:</b> No	<b>Spare Parts Only:</b> No
<b>Approved:</b> 15-Feb-1994	<b>Renewed:</b> 15-Feb-2021	<b>Bypass:</b>
<b>Shutoffs:</b> (ggg),xxx		
<b>Notes:</b> Testcocks: Female Threaded End or 45 degree male SAE flare		

---

<b>Type:</b> DC	<b>Manufacturer:</b> Wilkins	<b>Model:</b> 950XLU
<b>Size:</b> 1	<b>Orientation:</b> H	<b>Meters:</b>
<b>Manual:</b> 8	<b>0.25% Pb:</b> No	<b>Spare Parts Only:</b> No
<b>Approved:</b> 15-Feb-1994	<b>Renewed:</b> 15-Feb-2021	<b>Bypass:</b>
<b>Shutoffs:</b> (ggg),xxx		
<b>Notes:</b> Testcocks: Female Threaded End or 45 degree male SAE flare		

---

<b>Type:</b> DC	<b>Manufacturer:</b> Wilkins	<b>Model:</b> 950XLU
<b>Size:</b> 1 1/2	<b>Orientation:</b> H	<b>Meters:</b>
<b>Manual:</b> 8	<b>0.25% Pb:</b> No	<b>Spare Parts Only:</b> No
<b>Approved:</b> 15-Feb-1994	<b>Renewed:</b> 15-Feb-2021	<b>Bypass:</b>
<b>Shutoffs:</b> (ggg),xxx		

---

<b>Type:</b> DC	<b>Manufacturer:</b> Wilkins	<b>Model:</b> 950XLU
<b>Size:</b> 2	<b>Orientation:</b> H	<b>Meters:</b>
<b>Manual:</b> 8	<b>0.25% Pb:</b> No	<b>Spare Parts Only:</b> No
<b>Approved:</b> 15-Feb-1994	<b>Renewed:</b> 15-Feb-2021	<b>Bypass:</b>
<b>Shutoffs:</b> (ggg),xxx		

---

<b>Type:</b> DC	<b>Manufacturer:</b> Wilkins	<b>Model:</b> MBD
<b>Size:</b> 8	<b>Orientation:</b>	<b>Meters:</b>
<b>Manual:</b>	<b>0.25% Pb:</b> No	<b>Spare Parts Only:</b> No
<b>Approved:</b>	<b>Renewed:</b>	<b>Bypass:</b>
<b>Notes:</b> 4"x4"x8" Manifold, Model designation changed to 550M		

---

<b>Type:</b> DC	<b>Manufacturer:</b> Wilkins	<b>Model:</b> MBD
<b>Size:</b> 10	<b>Orientation:</b>	<b>Meters:</b>
<b>Manual:</b>	<b>0.25% Pb:</b> No	<b>Spare Parts Only:</b> No
<b>Approved:</b>	<b>Renewed:</b>	<b>Bypass:</b>
<b>Notes:</b> 6"x6"x10" Manifold, Model designation changed to 550M		

---

<b>Type:</b> DCDA	<b>Manufacturer:</b> Ames	<b>Model:</b> 3000-1SS
<b>Size:</b> 12	<b>Orientation:</b> H	<b>Meters:</b> (N), H,I,J,K,L,M,O,P,Q
<b>Manual:</b> 9	<b>0.25% Pb:</b> No	<b>Spare Parts Only:</b> No
<b>Approved:</b> 04-Dec-2009	<b>Renewed:</b> 04-Dec-2021	<b>Bypass:</b> Ames 200B 3/4" (H); Watts 719QT 3/4" (H)
<b>Shutoffs:</b> (mm), ll		

---

<b>Type:</b> DCDA	<b>Manufacturer:</b> Ames	<b>Model:</b> 3000-1SS
<b>Size:</b> 12	<b>Orientation:</b> VU	<b>Meters:</b> (N), H,I,J,K,L,M,O,P,Q
<b>Manual:</b> 9	<b>0.25% Pb:</b> No	<b>Spare Parts Only:</b> No
<b>Approved:</b> 22-Feb-2011	<b>Renewed:</b> 22-Feb-2020	<b>Bypass:</b> Ames 200B 3/4" (VU); Watts 719QT 3/4" (VU)
<b>Shutoffs:</b> (mm), ll		

---

<b>Type:</b> DCDA	<b>Manufacturer:</b> Ames	<b>Model:</b> 3000B
<b>Size:</b> 2	<b>Orientation:</b> H	<b>Meters:</b> (H),A,B,C,D,E,F,G,I,J,K,L,M,N,O,P,Q,T
<b>Manual:</b> 9	<b>0.25% Pb:</b> No	<b>Spare Parts Only:</b> No
<b>Approved:</b> 16-Jun-1997	<b>Renewed:</b> 16-Jun-2021	<b>Bypass:</b> Ames 2000B 1/2" (H), Watts 007QT 1/2" (H)
<b>Shutoffs:</b> (bbb),jjjj,rrrrr		

---

<b>Type:</b> DCDA	<b>Manufacturer:</b> Ames	<b>Model:</b> 3000B
<b>Size:</b> 2	<b>Orientation:</b> VU	<b>Meters:</b> (H),A,B,C,D,E,F,G,I,J,K,L,M,N,O,P,Q,T
<b>Manual:</b> 9	<b>0.25% Pb:</b> No	<b>Spare Parts Only:</b> No
<b>Approved:</b> 16-Jun-1997	<b>Renewed:</b> 16-Jun-2021	<b>Bypass:</b> Ames 2000B 1/2" (VU), Watts 007QT 1/2" (VU)
<b>Shutoffs:</b> (bbb),jjjj,rrrrr		

**Type:** DCDA                                    **Manufacturer:** Ames                                    **Model:** 3000B-FP  
**Size:** 2    **Orientation:** H    **Meters:**  
(H),A,B,C,D,E,F,G,I,J,K,L,M,N,O,P,Q,T  
**Manual:** 9                                        **0.25% Pb:** No                                        **Spare Parts Only:** No  
**Approved:** 01-Sep-2009                    **Renewed:** 01-Sep-2021                                    **Bypass:** Ames 2000B 1/2" (H), Watts  
007QT 1/2" (H)  
**Shutoffs:** (eeeeee)

---

**Type:** DCDA                                    **Manufacturer:** Ames                                    **Model:** 3000BM1  
**Size:** 2    **Orientation:** H    **Meters:**  
(H),A,B,C,D,E,F,G,I,J,K,L,M,N,O,P,Q,T  
**Manual:** 9                                        **0.25% Pb:** No                                        **Spare Parts Only:** No  
**Approved:** 19-Jun-2015                    **Renewed:** 19-Jun-2021                                    **Bypass:** Ames 2000B 1/2" (H), Watts  
007QT 1/2" (H)  
**Shutoffs:** (eeeeee), bbb, jjjj,rrrrr

---

**Type:** DCDA                                    **Manufacturer:** Ames                                    **Model:** 3000BM1  
**Size:** 2    **Orientation:** VU    **Meters:**  
(H),A,B,C,D,E,F,G,I,J,K,L,M,N,O,P,Q,T  
**Manual:** 9                                        **0.25% Pb:** No                                        **Spare Parts Only:** No  
**Approved:** 19-Jun-2015                    **Renewed:** 19-Jun-2021                                    **Bypass:** Ames 2000B 1/2" (VU), Watts  
007QT 1/2" (VU)  
**Shutoffs:** (eeeeee), bbb, jjjj,rrrrr

---

**Type:** DCDA                                    **Manufacturer:** Ames                                    **Model:** 3000CIV  
**Size:** 4    **Orientation:** H    **Meters:**  
(N),A,B,C,D,E,F,G,H,I,J,K,L,M,O,P,Q,T  
**Manual:** 6                                        **0.25% Pb:** No                                        **Spare Parts Only:** Yes  
**Approved:** 27-Jul-1987                    **Renewed:** 27-Jul-2020                                    **Bypass:** Ames 2000B 1/2"(H),Watts  
007QT 1/2"(H)  
**Shutoffs:** (pp),hh,uu,eee

---

**Type:** DCDA                                    **Manufacturer:** Ames                                    **Model:** 3000CIV  
**Size:** 4    **Orientation:** VU    **Meters:**  
(N),A,B,C,D,E,F,G,H,I,J,K,L,M,O,P,Q,T  
**Manual:** 8                                        **0.25% Pb:** No                                        **Spare Parts Only:** Yes  
**Approved:** 27-Aug-1996                    **Renewed:** 27-Aug-2020                                    **Bypass:** Ames 2000B 1/2"(VU),Watts  
007QT 1/2"(VU)  
**Shutoffs:** (pp),hh,uu,eee

**Type:** DCDA                      **Manufacturer:** Ames                      **Model:** 3000CIV  
**Size:** 6                              **Orientation:** H                              **Meters:**  
(N),A,B,C,D,E,F,G,H,I,J,K,L,M,O,P,Q,T  
**Manual:** 6                              **0.25% Pb:** No                              **Spare Parts Only:** Yes  
**Approved:** 27-Jul-1987                      **Renewed:** 27-Jul-2020                      **Bypass:** Ames 2000B 1/2"(H),Watts  
007QT 1/2"(H)  
**Shutoffs:** (pp),hh,uu,eee

---

**Type:** DCDA                      **Manufacturer:** Ames                      **Model:** 3000CIV  
**Size:** 6                              **Orientation:** VU                              **Meters:**  
(H),A,B,C,D,E,F,G,I,J,K,L,M,N,O,P,Q,T  
**Manual:** 8                              **0.25% Pb:** No                              **Spare Parts Only:** Yes  
**Approved:** 05-Dec-1996                      **Renewed:** 05-Dec-2020                      **Bypass:** Ames 2000B 1/2" (VU), Watts  
007QT 1/2" (VU)  
**Shutoffs:** (pp),hh,mm,uu,eee

---

**Type:** DCDA                      **Manufacturer:** Ames                      **Model:** 3000CIV  
**Size:** 8                              **Orientation:** H                              **Meters:**  
(N),A,B,C,D,E,F,G,H,I,J,K,L,M,O,P,Q,T  
**Manual:** 6                              **0.25% Pb:** No                              **Spare Parts Only:** Yes  
**Approved:** 19-Apr-1987                      **Renewed:** 19-Apr-2020                      **Bypass:** Ames 2000B 1/2"(H),Watts  
007QT 1/2"(H)  
**Shutoffs:** (pp),hh,mm,uu,eee

---

**Type:** DCDA                      **Manufacturer:** Ames                      **Model:** 3000CIV  
**Size:** 8                              **Orientation:** VU                              **Meters:**  
(H),A,B,C,D,E,F,G,I,J,K,L,M,N,O,P,Q,T  
**Manual:** 8                              **0.25% Pb:** No                              **Spare Parts Only:** Yes  
**Approved:** 05-Dec-1996                      **Renewed:** 05-Dec-2020                      **Bypass:** Ames 2000B 1/2" (VU), Watts  
007QT 1/2" (VU)  
**Shutoffs:** (pp),hh,mm,uu,eee

---

**Type:** DCDA                      **Manufacturer:** Ames                      **Model:** 3000CIV  
**Size:** 10                              **Orientation:** H                              **Meters:** (N),E,F,G,H,I,J,K,L,M,O,P,Q,T  
**Manual:** 6                              **0.25% Pb:** No                              **Spare Parts Only:** Yes  
**Approved:** 27-Jul-1987                      **Renewed:** 27-Jul-2020                      **Bypass:** Ames 2000B 1/2"(H),Watts  
007QT 1/2"(H)  
**Shutoffs:** (pp),hh,mm,uu,eee

**Type:** DCDA                                **Manufacturer:** Ames                                **Model:** 3000CIV  
**Size:** 10                                        **Orientation:** VU                                        **Meters:**  
(H),A,B,C,D,E,F,G,I,J,K,L,M,N,O,P,Q,T  
**Manual:** 8                                        **0.25% Pb:** No                                        **Spare Parts Only:** Yes  
**Approved:** 05-Dec-1996                                **Renewed:** 05-Dec-2020                                **Bypass:** Ames 2000B 1/2" (VU), Watts  
007QT 1/2" (VU)  
**Shutoffs:** (pp),hh,mm,uu,eee

---

**Type:** DCDA                                **Manufacturer:** Ames                                **Model:** 3000DCDA  
**Size:** 4                                        **Orientation:** H                                        **Meters:**  
(M),B,C,D,E,F,G,H,I,J,K,L,N,O,P,Q,T  
**Manual:** 7                                        **0.25% Pb:** No                                        **Spare Parts Only:** Yes  
**Approved:** 11-Jan-1988                                **Renewed:** 11-Jan-2021                                **Bypass:** Watts 007QT 3/4" (H)  
**Shutoffs:** uu,ee,ff,gg,hh,mm,oo,pp,ccc,ddd,ffff,gggg  
**Notes:** formerly DCDA

---

**Type:** DCDA                                **Manufacturer:** Ames                                **Model:** 3000DCDA  
**Size:** 6                                        **Orientation:** H                                        **Meters:**  
(M),B,C,D,E,F,G,H,I,J,K,L,N,O,P,Q,T  
**Manual:** 7                                        **0.25% Pb:** No                                        **Spare Parts Only:** Yes  
**Approved:** 11-Jan-1988                                **Renewed:** 11-Jan-2021                                **Bypass:** Watts 709QT 3/4" (H)  
**Shutoffs:** uu,ee,ff,gg,hh,mm,oo,pp,ccc,ddd,ffff,gggg  
**Notes:** formerly DCDA-I

---

**Type:** DCDA                                **Manufacturer:** Ames                                **Model:** 3000DCDA  
**Size:** 8                                        **Orientation:** H                                        **Meters:**  
(M),B,C,D,E,F,G,H,I,J,K,L,N,O,P,Q,T  
**Manual:** 7                                        **0.25% Pb:** No                                        **Spare Parts Only:** Yes  
**Approved:** 11-Jan-1988                                **Renewed:** 11-Jan-2021                                **Bypass:** Watts 007QT 3/4" (H)  
**Shutoffs:** uu,ee,ff,gg,hh,mm,oo,pp,ccc,ddd,ffff,gggg  
**Notes:** formerly DCDA

---

**Type:** DCDA                                **Manufacturer:** Ames                                **Model:** 3000DCDC  
**Size:** 10                                        **Orientation:** H                                        **Meters:**  
(M),B,C,D,E,F,G,H,I,J,K,L,N,O,P,Q,T  
**Manual:** 7                                        **0.25% Pb:** No                                        **Spare Parts Only:** Yes  
**Approved:** 04-Aug-1987                                **Renewed:** 04-Aug-2020                                **Bypass:** Watts007M2QT 3/4" (H),Watts  
709QT 3/4" (H), Ames 2000B 3/4" (H)  
**Shutoffs:** (uu),ee,ff,gg,hh,oo,pp,ccc,ddd,ffff,gggg  
**Notes:** formerly DCDA

**Type:** DCDA                                **Manufacturer:** Ames                                **Model:** 3000GDCDA  
**Size:** 4                                        **Orientation:** H                                        **Meters:**  
(M),B,C,D,E,F,G,H,I,J,K,L,N,O,P,Q,T  
**Manual:** 7                                    **0.25% Pb:** No                                        **Spare Parts Only:** Yes  
**Approved:** 11-Jan-1988                        **Renewed:** 11-Jan-2021                                **Bypass:** Watts 007QT 3/4" (H)  
**Shutoffs:** uu,ee,ff,gg,hh,mm,oo,pp,ccc,ddd,ffff,gggg  
**Notes:** formerly DCDA

---

**Type:** DCDA                                **Manufacturer:** Ames                                **Model:** 3000GDCDA  
**Size:** 6                                        **Orientation:** H                                        **Meters:**  
(M),B,C,D,E,F,G,H,I,J,K,L,N,O,P,Q,T  
**Manual:** 7                                    **0.25% Pb:** No                                        **Spare Parts Only:** Yes  
**Approved:** 11-Jan-1988                        **Renewed:** 11-Jan-2021                                **Bypass:** Watts 709QT 3/4" (H)  
**Shutoffs:** uu,ee,ff,gg,hh,mm,oo,pp,ccc,ddd,ffff,gggg  
**Notes:** formerly DCDA-I

---

**Type:** DCDA                                **Manufacturer:** Ames                                **Model:** 3000GDCDA  
**Size:** 8                                        **Orientation:** H                                        **Meters:**  
(M),B,C,D,E,F,G,H,I,J,K,L,N,O,P,Q,T  
**Manual:** 7                                    **0.25% Pb:** No                                        **Spare Parts Only:** Yes  
**Approved:** 11-Jan-1988                        **Renewed:** 11-Jan-2021                                **Bypass:** Watts 007QT 3/4" (H)  
**Shutoffs:** uu,ee,ff,gg,hh,mm,oo,pp,ccc,ddd,ffff,gggg  
**Notes:** formerly DCDA

---

**Type:** DCDA                                **Manufacturer:** Ames                                **Model:** 3000GDCDC  
**Size:** 10                                        **Orientation:** H                                        **Meters:**  
(M),B,C,D,E,F,G,H,I,J,K,L,N,O,P,Q,T  
**Manual:** 7                                    **0.25% Pb:** No                                        **Spare Parts Only:** Yes  
**Approved:** 04-Aug-1987                        **Renewed:** 04-Aug-2020                                **Bypass:** Watts 709QT 3/4" (H)  
**Shutoffs:** uu,ee,ff,gg,hh,oo,pp,ccc,ddd,ffff,gggg  
**Notes:** formerly DCDC

---

**Type:** DCDA                                **Manufacturer:** Ames                                **Model:** 3000SE  
**Size:** 2 1/2                                        **Orientation:** H                                        **Meters:** (M),N,O,P,Q  
**Manual:** 8                                    **0.25% Pb:** No                                        **Spare Parts Only:** Yes  
**Approved:** 10-Sep-1996                        **Renewed:** 10-Sep-2020                                **Bypass:** Watts007M2QT 3/4" (H), Ames  
2000B 3/4" (H)  
**Shutoffs:** (mm),ee,ff,gg,hh,ll,oo,pp,tt,uu,ccc,ddd,ffff,gggg

**Type:** DCDA **Manufacturer:** Ames **Model:** 3000SE  
**Size:** 6 **Orientation:** H **Meters:**  
(M),A,B,C,D,E,F,G,H,I,J,K,L,N,O,P,Q,T  
**Manual:** 8 **0.25% Pb:** No **Spare Parts Only:** Yes  
**Approved:** 24-May-1995 **Renewed:** 24-May-2022 **Bypass:** Watts007M2QT 3/4" (H), Ames 2000B 3/4" (H)  
**Shutoffs:** uu,ee,ff,gg,hh,ll,mm,oo,pp,tt,ccc,ddd,ffff,gggg

---

**Type:** DCDA **Manufacturer:** Ames **Model:** 3000SE  
**Size:** 8 **Orientation:** H **Meters:**  
(M),A,B,C,D,E,F,G,H,I,J,K,L,N,O,P,Q,T  
**Manual:** 8 **0.25% Pb:** No **Spare Parts Only:** Yes  
**Approved:** 09-Sep-1992 **Renewed:** 09-Sep-2019 **Bypass:** Watts 007M1QT 3/4" (H)  
**Shutoffs:** uu,ee,ff,gg,hh,ll,mm,oo,pp,tt,ccc,ddd,ffff,gggg

---

**Type:** DCDA **Manufacturer:** Ames **Model:** 3000SEA  
**Size:** 8 **Orientation:** H **Meters:**  
(M),A,B,C,D,E,F,G,H,I,J,K,L,N,O,P,Q,T  
**Manual:** 8 **0.25% Pb:** No **Spare Parts Only:** Yes  
**Approved:** 05-May-1995 **Renewed:** 05-May-2022 **Bypass:** Ames 2000SS 3/4" (H)  
**Shutoffs:** uu,ee,ff,gg,hh,ll,mm,oo,pp,tt,ccc,ddd,ffff,gggg

---

**Type:** DCDA **Manufacturer:** Ames **Model:** 3000SEWM1  
**Size:** 6 **Orientation:** H **Meters:**  
(M),A,B,C,D,E,F,G,H,I,J,K,L,N,O,P,Q,T  
**Manual:** 8 **0.25% Pb:** No **Spare Parts Only:** Yes  
**Approved:** 22-Nov-1993 **Renewed:** 22-Nov-2020 **Bypass:** Watts 007M1QT 3/4" (H)  
**Shutoffs:** (uu),ee,ff,gg,hh,ll,mm,oo,pp,tt,ccc,ddd,ffff,gggg  
**Notes:** formerly 3000SS prior to S/N 2EK0320

---

**Type:** DCDA **Manufacturer:** Ames **Model:** 3000SS  
**Size:** 2 1/2 **Orientation:** **Meters:**  
**Manual:** **0.25% Pb:** No **Spare Parts Only:** No  
**Approved:** **Renewed:** **Bypass:**  
**Notes:** to S/N 2EK0320 model designation changed to 3000SSWM1

---



**Type:** DCDA                                    **Manufacturer:** Ames                                    **Model:** 3000SS  
**Size:** 2 1/2                                    **Orientation:** H                                    **Meters:**  
(M),A,B,C,D,E,F,G,H,I,J,K,L,N,O,P,Q,T  
**Manual:** 8                                    **0.25% Pb:** No                                    **Spare Parts Only:** No  
**Approved:** 24-May-1995                                    **Renewed:** 16-Jan-2020                                    **Bypass:** Watts007M2QT 3/4" (H), Ames  
2000B 3/4" (H)  
**Shutoffs:** (uu),ee,ff,gg,hh,ll,mm,oo,pp,tt,ccc,ddd,ffff,gggg

---

**Type:** DCDA                                    **Manufacturer:** Ames                                    **Model:** 3000SS  
**Size:** 3                                    **Orientation:**                                    **Meters:**  
**Manual:**                                    **0.25% Pb:** No                                    **Spare Parts Only:** No  
**Approved:**                                    **Renewed:**                                    **Bypass:**  
**Notes:** to S/N 2EK0320 model designation changed to 3000SSWM1

---

**Type:** DCDA                                    **Manufacturer:** Ames                                    **Model:** 3000SS  
**Size:** 3                                    **Orientation:** H                                    **Meters:**  
(M),A,B,C,D,E,F,G,H,I,J,K,L,N,O,P,Q,T  
**Manual:** 8                                    **0.25% Pb:** No                                    **Spare Parts Only:** No  
**Approved:** 24-May-1995                                    **Renewed:** 16-Jan-2020                                    **Bypass:** Watts007M2QT 3/4" (H), Ames  
2000B 3/4" (H)  
**Shutoffs:** (uu),ee,ff,gg,hh,ll,mm,oo,pp,tt,ccc,ddd,ffff,gggg

---

**Type:** DCDA                                    **Manufacturer:** Ames                                    **Model:** 3000SS  
**Size:** 4                                    **Orientation:**                                    **Meters:**  
**Manual:**                                    **0.25% Pb:** No                                    **Spare Parts Only:** No  
**Approved:**                                    **Renewed:**                                    **Bypass:**  
**Notes:** to S/N 2EK0320 model designation changed to 3000SSWM1

---

**Type:** DCDA                                    **Manufacturer:** Ames                                    **Model:** 3000SS  
**Size:** 4                                    **Orientation:** H                                    **Meters:**  
(M),A,B,C,D,E,F,G,H,I,J,K,L,N,O,P,Q,T  
**Manual:** 8                                    **0.25% Pb:** No                                    **Spare Parts Only:** No  
**Approved:** 24-May-1995                                    **Renewed:** 16-Jan-2020                                    **Bypass:** Watts007M2QT 3/4" (H), Ames  
2000B 3/4" (H)  
**Shutoffs:** (uu),ee,ff,gg,hh,ll,mm,oo,pp,tt,ccc,ddd,ffff,gggg

---

**Type:** DCDA                                    **Manufacturer:** Ames                                    **Model:** 3000SS  
**Size:** 6                                    **Orientation:**                                    **Meters:**  
**Manual:**                                    **0.25% Pb:** No                                    **Spare Parts Only:** No  
**Approved:**                                    **Renewed:**                                    **Bypass:**  
**Notes:** to S/N 2EK0320 model designation changed to 3000SEWM1

<b>Type:</b> DCDA	<b>Manufacturer:</b> Ames	<b>Model:</b> 3000SS
<b>Size:</b> 6	<b>Orientation:</b> H	<b>Meters:</b> (M),A,B,C,D,E,F,G,H,I,J,K,L,N,O,P,Q,T
<b>Manual:</b> 8	<b>0.25% Pb:</b> No	<b>Spare Parts Only:</b> No
<b>Approved:</b> 09-Sep-1992	<b>Renewed:</b> 09-Sep-2019	<b>Bypass:</b> Watts 007M1QT 3/4" (H)), Watts 007M3QT 3/4" (H)
<b>Shutoffs:</b> (uu),ee,ff,gg,hh,ll,mm,oo,pp,tt,ccc,ddd,ffff,gggg		
<hr/>		
<b>Type:</b> DCDA	<b>Manufacturer:</b> Ames	<b>Model:</b> 3000SS
<b>Size:</b> 8	<b>Orientation:</b> H	<b>Meters:</b> (M),A,B,C,D,E,F,G,H,I,J,K,L,N,O,P,Q,T
<b>Manual:</b> 8	<b>0.25% Pb:</b> No	<b>Spare Parts Only:</b> No
<b>Approved:</b> 16-Sep-1996	<b>Renewed:</b> 16-Sep-2020	<b>Bypass:</b> Watts007M2QT 3/4" (H), Ames 2000B 3/4" (H)
<b>Shutoffs:</b> (uu),ee,ff,gg,hh,ll,mm,tt,ccc,ddd,ffff,gggg		
<hr/>		
<b>Type:</b> DCDA	<b>Manufacturer:</b> Ames	<b>Model:</b> 3000SS
<b>Size:</b> 10	<b>Orientation:</b> H	<b>Meters:</b> (J),C,E,F,G,H,I,K,L,M,N,O,P,Q,T
<b>Manual:</b> 8	<b>0.25% Pb:</b> No	<b>Spare Parts Only:</b> No
<b>Approved:</b> 16-Feb-2001	<b>Renewed:</b> 16-Feb-2022	<b>Bypass:</b> Ames 2000B 3/4" (H)
<b>Shutoffs:</b> (ll),mm,oo,pp,ffff,gggg		
<hr/>		
<b>Type:</b> DCDA	<b>Manufacturer:</b> Ames	<b>Model:</b> 3000SS
<b>Size:</b> 12	<b>Orientation:</b> H	<b>Meters:</b> (N), H,I,J,K,L,M,O,P,Q
<b>Manual:</b> 9	<b>0.25% Pb:</b> No	<b>Spare Parts Only:</b> No
<b>Approved:</b> 04-Dec-2009	<b>Renewed:</b> 04-Dec-2021	<b>Bypass:</b> Ames 2000BM3 3/4" (H)
<b>Shutoffs:</b> (mm), ll		
<hr/>		
<b>Type:</b> DCDA	<b>Manufacturer:</b> Ames	<b>Model:</b> 3000SS
<b>Size:</b> 12	<b>Orientation:</b> VU	<b>Meters:</b> (N), H,I,J,K,L,M,O,P,Q
<b>Manual:</b> 9	<b>0.25% Pb:</b> No	<b>Spare Parts Only:</b> No
<b>Approved:</b> 22-Feb-2011	<b>Renewed:</b> 22-Feb-2020	<b>Bypass:</b> Ames 2000BM3 3/4" (VU)
<b>Shutoffs:</b> (mm), ll		
<hr/>		
<b>Type:</b> DCDA	<b>Manufacturer:</b> Ames	<b>Model:</b> 3000SSA
<b>Size:</b> 6	<b>Orientation:</b> H	<b>Meters:</b> (M),A,B,C,D,E,F,G,H,I,J,K,L,N,O,P,Q,T
<b>Manual:</b> 8	<b>0.25% Pb:</b> No	<b>Spare Parts Only:</b> Yes
<b>Approved:</b> 05-May-1995	<b>Renewed:</b> 05-May-2022	<b>Bypass:</b> Ames 2000SS 3/4" (H)
<b>Shutoffs:</b> uu,ee,ff,gg,hh,ll,mm,oo,pp,tt,ccc,ddd,ffff,gggg		

<b>Type:</b> DCDA	<b>Manufacturer:</b> Ames	<b>Model:</b> 3000SSM
<b>Size:</b> 4	<b>Orientation:</b> H	<b>Meters:</b> (R)
<b>Manual:</b> 8	<b>0.25% Pb:</b> No	<b>Spare Parts Only:</b> Yes
<b>Approved:</b> 05-May-1995	<b>Renewed:</b> 05-May-2022	<b>Bypass:</b> Ames 2000SS 1" (H)
<b>Shutoffs:</b> uu,ee,ff,gg,hh,ll,mm,oo,pp,tt,ccc,ddd,ffff,gggg		
<b>Type:</b> DCDA	<b>Manufacturer:</b> Ames	<b>Model:</b> 3000SSM
<b>Size:</b> 6	<b>Orientation:</b> H	<b>Meters:</b> (S)
<b>Manual:</b> 8	<b>0.25% Pb:</b> No	<b>Spare Parts Only:</b> No
<b>Approved:</b> 05-May-1995	<b>Renewed:</b> 05-May-2022	<b>Bypass:</b> Watts 007M2QT 1 1/2" (H)
<b>Shutoffs:</b> (uu),ee,ff,gg,hh,ll,mm,oo,pp,tt,ccc,ddd,ffff,gggg		
<b>Type:</b> DCDA	<b>Manufacturer:</b> Ames	<b>Model:</b> 3000SSWM1
<b>Size:</b> 2 1/2	<b>Orientation:</b> H	<b>Meters:</b> (M),A,B,C,D,E,F,G,H,I,J,K,L,N,O,P,Q,T
<b>Manual:</b> 8	<b>0.25% Pb:</b> No	<b>Spare Parts Only:</b> No
<b>Approved:</b> 11-Jul-1991	<b>Renewed:</b> 11-Jul-2021	<b>Bypass:</b> Watts 007M1QT 3/4" (H)
<b>Shutoffs:</b> (uu),ee,ff,gg,hh,ll,mm,oo,pp,tt,ccc,ddd,ffff,gggg		
<b>Notes:</b> formerly 3000SS prior to S/N 2EK0320		
<b>Type:</b> DCDA	<b>Manufacturer:</b> Ames	<b>Model:</b> 3000SSWM1
<b>Size:</b> 3	<b>Orientation:</b> H	<b>Meters:</b> (M),A,B,C,D,E,F,G,H,I,J,K,L,N,O,P,Q,T
<b>Manual:</b> 8	<b>0.25% Pb:</b> No	<b>Spare Parts Only:</b> No
<b>Approved:</b> 11-Jul-1991	<b>Renewed:</b> 11-Jul-2021	<b>Bypass:</b> Watts 007M1QT 3/4" (H)
<b>Shutoffs:</b> (uu),ee,ff,gg,hh,ll,mm,oo,pp,tt,ccc,ddd,ffff,gggg		
<b>Notes:</b> formerly 3000SS prior to S/N 2EK0320		
<b>Type:</b> DCDA	<b>Manufacturer:</b> Ames	<b>Model:</b> 3000SSWM1
<b>Size:</b> 4	<b>Orientation:</b> H	<b>Meters:</b> (M),A,B,C,D,E,F,G,H,I,J,K,L,N,O,P,Q,T
<b>Manual:</b> 8	<b>0.25% Pb:</b> No	<b>Spare Parts Only:</b> No
<b>Approved:</b> 11-Jul-1991	<b>Renewed:</b> 11-Jul-2021	<b>Bypass:</b> Watts 007M1QT 3/4" (H)
<b>Shutoffs:</b> (uu),ee,ff,gg,hh,ll,mm,oo,pp,tt,ccc,ddd,ffff,gggg		
<b>Notes:</b> formerly 3000SS prior to S/N 2EK0320		
<b>Type:</b> DCDA	<b>Manufacturer:</b> Ames	<b>Model:</b> Colt 300aBF
<b>Size:</b> 2 1/2	<b>Orientation:</b> H	<b>Meters:</b> (N),G,H,I,J,K,L,M,O,P,Q,T
<b>Manual:</b> 9	<b>0.25% Pb:</b> No	<b>Spare Parts Only:</b> Yes
<b>Approved:</b> 06-Nov-2003	<b>Renewed:</b> 06-Nov-2021	<b>Bypass:</b> Ames 2000BM3 3/4" (H)
<b>Shutoffs:</b> (yyy)		

<b>Type:</b> DCDA	<b>Manufacturer:</b> Ames	<b>Model:</b> Colt 300aBF
<b>Size:</b> 2 1/2	<b>Orientation:</b> VU	<b>Meters:</b> (N),G,H,I,J,K,L,M,O,P,Q,T
<b>Manual:</b> 9	<b>0.25% Pb:</b> No	<b>Spare Parts Only:</b> Yes
<b>Approved:</b> 06-Nov-2003	<b>Renewed:</b> 06-Nov-2021	<b>Bypass:</b> Ames 2000BM3 3/4" (VU)
<b>Shutoffs:</b> (yyy)		

---

<b>Type:</b> DCDA	<b>Manufacturer:</b> Ames	<b>Model:</b> Colt 300aBF
<b>Size:</b> 3	<b>Orientation:</b> H	<b>Meters:</b> (N),G,H,I,J,K,L,M,O,P,Q,T
<b>Manual:</b> 9	<b>0.25% Pb:</b> No	<b>Spare Parts Only:</b> Yes
<b>Approved:</b> 06-Nov-2003	<b>Renewed:</b> 06-Nov-2021	<b>Bypass:</b> Ames 2000BM3 3/4" (H)
<b>Shutoffs:</b> (yyy)		

---

<b>Type:</b> DCDA	<b>Manufacturer:</b> Ames	<b>Model:</b> Colt 300aBF
<b>Size:</b> 3	<b>Orientation:</b> VU	<b>Meters:</b> (N),G,H,I,J,K,L,M,O,P,Q,T
<b>Manual:</b> 9	<b>0.25% Pb:</b> No	<b>Spare Parts Only:</b> Yes
<b>Approved:</b> 06-Nov-2003	<b>Renewed:</b> 06-Nov-2021	<b>Bypass:</b> Ames 2000BM3 3/4" (VU)
<b>Shutoffs:</b> (yyy)		

---

<b>Type:</b> DCDA	<b>Manufacturer:</b> Ames	<b>Model:</b> Colt 300aBF
<b>Size:</b> 4	<b>Orientation:</b> H	<b>Meters:</b> (N),G,H,I,J,K,L,M,O,P,Q,T
<b>Manual:</b> 9	<b>0.25% Pb:</b> No	<b>Spare Parts Only:</b> Yes
<b>Approved:</b> 06-Nov-2003	<b>Renewed:</b> 06-Nov-2021	<b>Bypass:</b> Ames 2000BM3 3/4" (H)
<b>Shutoffs:</b> (yyy)		

---

<b>Type:</b> DCDA	<b>Manufacturer:</b> Ames	<b>Model:</b> Colt 300aBF
<b>Size:</b> 4	<b>Orientation:</b> VU	<b>Meters:</b> (N),G,H,I,J,K,L,M,O,P,Q,T
<b>Manual:</b> 9	<b>0.25% Pb:</b> No	<b>Spare Parts Only:</b> Yes
<b>Approved:</b> 06-Nov-2003	<b>Renewed:</b> 06-Nov-2021	<b>Bypass:</b> Ames 2000BM3 3/4" (VU)
<b>Shutoffs:</b> (yyy)		

---

<b>Type:</b> DCDA	<b>Manufacturer:</b> Ames	<b>Model:</b> Colt 300aBF
<b>Size:</b> 6	<b>Orientation:</b> H	<b>Meters:</b> (N),G,H,I,J,K,L,M,O,P,Q,T
<b>Manual:</b> 9	<b>0.25% Pb:</b> No	<b>Spare Parts Only:</b> Yes
<b>Approved:</b> 29-Sep-2004	<b>Renewed:</b> 29-Sep-2019	<b>Bypass:</b> Ames 2000BM3 3/4" (H)
<b>Shutoffs:</b> (yyy)		

---

<b>Type:</b> DCDA	<b>Manufacturer:</b> Ames	<b>Model:</b> Colt 300aBF
<b>Size:</b> 6	<b>Orientation:</b> VU	<b>Meters:</b> (N),G,H,I,J,K,L,M,O,P,Q,T
<b>Manual:</b> 9	<b>0.25% Pb:</b> No	<b>Spare Parts Only:</b> Yes
<b>Approved:</b> 18-Jan-2005	<b>Renewed:</b> 18-Jan-2020	<b>Bypass:</b> Ames 2000BM3 3/4" (VU)
<b>Shutoffs:</b> (yyy)		

**Type:** DCDA  
**Size:** 2 1/2  
**Manual:** 9  
**Approved:** 06-Oct-2003  
**Shutoffs:** (zzz)

**Manufacturer:** Ames  
**Orientation:** H  
**0.25% Pb:** No  
**Renewed:** 06-Oct-2021

**Model:** Colt 300aGV  
**Meters:** (N),G,H,I,J,K,L,M,O,P,Q,T  
**Spare Parts Only:** Yes  
**Bypass:** Ames 2000BM3 3/4" (H)

---

**Type:** DCDA  
**Size:** 2 1/2  
**Manual:** 9  
**Approved:** 06-Oct-2003  
**Shutoffs:** (zzz)

**Manufacturer:** Ames  
**Orientation:** VU  
**0.25% Pb:** No  
**Renewed:** 06-Oct-2021

**Model:** Colt 300aGV  
**Meters:** (N),G,H,I,J,K,L,M,O,P,Q,T  
**Spare Parts Only:** Yes  
**Bypass:** Ames 2000BM3 3/4" (VU)

---

**Type:** DCDA  
**Size:** 3  
**Manual:** 9  
**Approved:** 06-Oct-2003  
**Shutoffs:** (zzz)

**Manufacturer:** Ames  
**Orientation:** H  
**0.25% Pb:** No  
**Renewed:** 06-Oct-2021

**Model:** Colt 300aGV  
**Meters:** (N),G,H,I,J,K,L,M,O,P,Q,T  
**Spare Parts Only:** Yes  
**Bypass:** Ames 2000BM3 3/4" (H)

---

**Type:** DCDA  
**Size:** 3  
**Manual:** 9  
**Approved:** 06-Oct-2003  
**Shutoffs:** (zzz)

**Manufacturer:** Ames  
**Orientation:** VU  
**0.25% Pb:** No  
**Renewed:** 06-Oct-2021

**Model:** Colt 300aGV  
**Meters:** (N),G,H,I,J,K,L,M,O,P,Q,T  
**Spare Parts Only:** Yes  
**Bypass:** Ames 2000BM3 3/4" (VU)

---

**Type:** DCDA  
**Size:** 4  
**Manual:** 9  
**Approved:** 06-Oct-2003  
**Shutoffs:** (zzz)

**Manufacturer:** Ames  
**Orientation:** H  
**0.25% Pb:** No  
**Renewed:** 06-Oct-2021

**Model:** Colt 300aGV  
**Meters:** (N),G,H,I,J,K,L,M,O,P,Q,T  
**Spare Parts Only:** Yes  
**Bypass:** Ames 2000BM3 3/4" (H)

---

**Type:** DCDA  
**Size:** 4  
**Manual:** 9  
**Approved:** 06-Oct-2003  
**Shutoffs:** (zzz)

**Manufacturer:** Ames  
**Orientation:** VU  
**0.25% Pb:** No  
**Renewed:** 06-Oct-2021

**Model:** Colt 300aGV  
**Meters:** (N),G,H,I,J,K,L,M,O,P,Q,T  
**Spare Parts Only:** Yes  
**Bypass:** Ames 2000BM3 3/4" (VU)

---

**Type:** DCDA  
**Size:** 6  
**Manual:** 9  
**Approved:** 03-Nov-2004  
**Shutoffs:** (zzz)

**Manufacturer:** Ames  
**Orientation:** H  
**0.25% Pb:** No  
**Renewed:** 03-Nov-2019

**Model:** Colt 300aGV  
**Meters:** (N),G,H,I,J,K,L,M,O,P,Q,T  
**Spare Parts Only:** Yes  
**Bypass:** Ames 2000BM3 3/4" (H)

**Type:** DCDA                                   **Manufacturer:** Ames                                   **Model:** Colt 300aGV  
**Size:** 6   **Orientation:** VU                                       **Meters:** (N),G,H,I,J,K,L,M,O,P,Q,T  
**Manual:** 9                                       **0.25% Pb:** No                                       **Spare Parts Only:** Yes  
**Approved:** 18-Jan-2005                                   **Renewed:** 18-Jan-2020                                   **Bypass:** Ames 2000BM3 3/4" (VU)  
**Shutoffs:** (zzz)

---

**Type:** DCDA                                   **Manufacturer:** Ames                                   **Model:** Colt 300BF  
**Size:** 2 1/2                                       **Orientation:** H                                       **Meters:** (N),G,H,I,J,K,L,M,O,P,Q,T  
**Manual:** 9                                       **0.25% Pb:** No                                       **Spare Parts Only:** No  
**Approved:** 04-Oct-2005                                   **Renewed:** 04-Oct-2020                                   **Bypass:** Ames 2000BM3 3/4" (H)  
**Shutoffs:** (yyy)

---

**Type:** DCDA                                   **Manufacturer:** Ames                                   **Model:** Colt 300BF  
**Size:** 2 1/2                                       **Orientation:** VU                                       **Meters:** (N),G,H,I,J,K,L,M,O,P,Q,T  
**Manual:** 9                                       **0.25% Pb:** No                                       **Spare Parts Only:** No  
**Approved:** 04-Oct-2005                                   **Renewed:** 04-Oct-2020                                   **Bypass:** Ames 2000BM3 3/4" (VU)  
**Shutoffs:** (yyy)

---

**Type:** DCDA                                   **Manufacturer:** Ames                                   **Model:** Colt 300BF  
**Size:** 3   **Orientation:** H                                       **Meters:** (N),G,H,I,J,K,L,M,O,P,Q,T  
**Manual:** 9                                       **0.25% Pb:** No                                       **Spare Parts Only:** No  
**Approved:** 04-Oct-2005                                   **Renewed:** 04-Oct-2020                                   **Bypass:** Ames 2000BM3 3/4" (H)  
**Shutoffs:** (yyy)

---

**Type:** DCDA                                   **Manufacturer:** Ames                                   **Model:** Colt 300BF  
**Size:** 3   **Orientation:** VU                                       **Meters:** (N),G,H,I,J,K,L,M,O,P,Q,T  
**Manual:** 9                                       **0.25% Pb:** No                                       **Spare Parts Only:** No  
**Approved:** 04-Oct-2005                                   **Renewed:** 04-Oct-2020                                   **Bypass:** Ames 2000BM3 3/4" (VU)  
**Shutoffs:** (yyy)

---

**Type:** DCDA                                   **Manufacturer:** Ames                                   **Model:** Colt 300BF  
**Size:** 4   **Orientation:** H                                       **Meters:** (N),G,H,I,J,K,L,M,O,P,Q,T  
**Manual:** 9                                       **0.25% Pb:** No                                       **Spare Parts Only:** No  
**Approved:** 04-Oct-2005                                   **Renewed:** 04-Oct-2020                                   **Bypass:** Ames 2000BM3 3/4" (H)  
**Shutoffs:** (yyy)

---

**Type:** DCDA                                   **Manufacturer:** Ames                                   **Model:** Colt 300BF  
**Size:** 4   **Orientation:** VU                                       **Meters:** (N),G,H,I,J,K,L,M,O,P,Q,T  
**Manual:** 9                                       **0.25% Pb:** No                                       **Spare Parts Only:** No  
**Approved:** 04-Oct-2005                                   **Renewed:** 04-Oct-2020                                   **Bypass:** Ames 2000BM3 3/4" (VU)  
**Shutoffs:** (yyy)

<b>Type:</b> DCDA <b>Size:</b> 6 <b>Manual:</b> 9 <b>Approved:</b> 02-Mar-2007 <b>Shutoffs:</b> (yyy)	<b>Manufacturer:</b> Ames <b>Orientation:</b> H <b>0.25% Pb:</b> No <b>Renewed:</b> 02-Mar-2022	<b>Model:</b> Colt 300BF <b>Meters:</b> (N),G,H,I,J,K,L,M,O,P,Q,T <b>Spare Parts Only:</b> No <b>Bypass:</b> Ames 2000BM3 3/4"(H)
<b>Type:</b> DCDA <b>Size:</b> 6 <b>Manual:</b> 9 <b>Approved:</b> 02-Mar-2007 <b>Shutoffs:</b> (yyy)	<b>Manufacturer:</b> Ames <b>Orientation:</b> VU <b>0.25% Pb:</b> No <b>Renewed:</b> 02-Mar-2022	<b>Model:</b> Colt 300BF <b>Meters:</b> (N),G,H,I,J,K,L,M,O,P,Q,T <b>Spare Parts Only:</b> No <b>Bypass:</b> Ames 2000BM3 3/4"(V)
<b>Type:</b> DCDA <b>Size:</b> 8 <b>Manual:</b> 9 <b>Approved:</b> 09-Mar-2007 <b>Shutoffs:</b> (yyy)	<b>Manufacturer:</b> Ames <b>Orientation:</b> H <b>0.25% Pb:</b> No <b>Renewed:</b> 09-Mar-2022	<b>Model:</b> Colt 300BF <b>Meters:</b> (N),G,H,I,J,K,L,M,O,P,Q,T <b>Spare Parts Only:</b> No <b>Bypass:</b> Ames 2000BM3 3/4" (H & VU)
<b>Type:</b> DCDA <b>Size:</b> 8 <b>Manual:</b> 9 <b>Approved:</b> 09-Mar-2007 <b>Shutoffs:</b> (yyy)	<b>Manufacturer:</b> Ames <b>Orientation:</b> VU <b>0.25% Pb:</b> No <b>Renewed:</b> 09-Mar-2022	<b>Model:</b> Colt 300BF <b>Meters:</b> (N),G,H,I,J,K,L,M,O,P,Q,T <b>Spare Parts Only:</b> No <b>Bypass:</b> Ames 2000BM3 3/4" (H & VU)
<b>Type:</b> DCDA <b>Size:</b> 10 <b>Manual:</b> 9 <b>Approved:</b> 17-Sep-2009 <b>Shutoffs:</b> (yyy)	<b>Manufacturer:</b> Ames <b>Orientation:</b> H <b>0.25% Pb:</b> No <b>Renewed:</b> 17-Sep-2021	<b>Model:</b> Colt 300BF <b>Meters:</b> (N),G,H,I,J,K,L,M,O,P,Q,T <b>Spare Parts Only:</b> No <b>Bypass:</b> Watts 007M3QT 3/4" (H), Ames 2000 BM3 (H)
<b>Type:</b> DCDA <b>Size:</b> 10 <b>Manual:</b> 9 <b>Approved:</b> 17-Sep-2009 <b>Shutoffs:</b> (yyy)	<b>Manufacturer:</b> Ames <b>Orientation:</b> VU <b>0.25% Pb:</b> No <b>Renewed:</b> 17-Sep-2021	<b>Model:</b> Colt 300BF <b>Meters:</b> (N),G,H,I,J,K,L,M,O,P,Q,T <b>Spare Parts Only:</b> No <b>Bypass:</b> Watts 007M3QT 3/4" (V), Ames 2000 BM3 (V)

**Type:** DCDA                                      **Manufacturer:** Ames                                      **Model:** Colt 300GV  
**Size:** 2 1/2                                      **Orientation:** H                                      **Meters:** (N),G,H,I,J,K,L,M,O,P,Q,T  
**Manual:** 9                                      **0.25% Pb:** No                                      **Spare Parts Only:** No  
**Approved:** 04-Oct-2005                                      **Renewed:** 04-Oct-2020                                      **Bypass:** Ames 2000BM3 3/4" (H)  
**Shutoffs:** (zzz)

---

**Type:** DCDA                                      **Manufacturer:** Ames                                      **Model:** Colt 300GV  
**Size:** 2 1/2                                      **Orientation:** VU                                      **Meters:** (N),G,H,I,J,K,L,M,O,P,Q,T  
**Manual:** 9                                      **0.25% Pb:** No                                      **Spare Parts Only:** No  
**Approved:** 04-Oct-2005                                      **Renewed:** 04-Oct-2020                                      **Bypass:** Ames 2000BM3 3/4" (VU)  
**Shutoffs:** (zzz)

---

**Type:** DCDA                                      **Manufacturer:** Ames                                      **Model:** Colt 300GV  
**Size:** 3                                      **Orientation:** H                                      **Meters:** (N),G,H,I,J,K,L,M,O,P,Q,T  
**Manual:** 9                                      **0.25% Pb:** No                                      **Spare Parts Only:** No  
**Approved:** 04-Oct-2005                                      **Renewed:** 04-Oct-2020                                      **Bypass:** Ames 2000BM3 3/4" (H)  
**Shutoffs:** (zzz)

---

**Type:** DCDA                                      **Manufacturer:** Ames                                      **Model:** Colt 300GV  
**Size:** 3                                      **Orientation:** VU                                      **Meters:** (N),G,H,I,J,K,L,M,O,P,Q,T  
**Manual:** 9                                      **0.25% Pb:** No                                      **Spare Parts Only:** No  
**Approved:** 04-Oct-2005                                      **Renewed:** 04-Oct-2020                                      **Bypass:** Ames 2000BM3 3/4" (VU)  
**Shutoffs:** (zzz)

---

**Type:** DCDA                                      **Manufacturer:** Ames                                      **Model:** Colt 300GV  
**Size:** 4                                      **Orientation:** H                                      **Meters:** (N),G,H,I,J,K,L,M,O,P,Q,T  
**Manual:** 9                                      **0.25% Pb:** No                                      **Spare Parts Only:** No  
**Approved:** 04-Oct-2005                                      **Renewed:** 04-Oct-2020                                      **Bypass:** Ames 2000BM3 3/4" (H)  
**Shutoffs:** (zzz)

---

**Type:** DCDA                                      **Manufacturer:** Ames                                      **Model:** Colt 300GV  
**Size:** 4                                      **Orientation:** VU                                      **Meters:** (N),G,H,I,J,K,L,M,O,P,Q,T  
**Manual:** 9                                      **0.25% Pb:** No                                      **Spare Parts Only:** No  
**Approved:** 04-Oct-2005                                      **Renewed:** 04-Oct-2020                                      **Bypass:** Ames 2000BM3 3/4" (VU)  
**Shutoffs:** (zzz)

---

**Type:** DCDA                                      **Manufacturer:** Ames                                      **Model:** Colt 300GV  
**Size:** 6                                      **Orientation:** H                                      **Meters:** (N),G,H,I,J,K,L,M,O,P,Q,T  
**Manual:** 9                                      **0.25% Pb:** No                                      **Spare Parts Only:** No  
**Approved:** 02-Mar-2007                                      **Renewed:** 02-Mar-2022                                      **Bypass:** Ames 2000BM3 3/4"(H)  
**Shutoffs:** (zzz)



<b>Type:</b> DCDA <b>Size:</b> 6 <b>Manual:</b> 9 <b>Approved:</b> 02-Mar-2007 <b>Shutoffs:</b> (zzz)	<b>Manufacturer:</b> Ames <b>Orientation:</b> VU <b>0.25% Pb:</b> No <b>Renewed:</b> 02-Mar-2022	<b>Model:</b> Colt 300GV <b>Meters:</b> (N),G,H,I,J,K,L,M,O,P,Q,T <b>Spare Parts Only:</b> No <b>Bypass:</b> Ames 2000BM3 3/4"(V)
<b>Type:</b> DCDA <b>Size:</b> 8 <b>Manual:</b> 9 <b>Approved:</b> 09-Mar-2007 <b>Shutoffs:</b> (zzz)	<b>Manufacturer:</b> Ames <b>Orientation:</b> H <b>0.25% Pb:</b> No <b>Renewed:</b> 09-Mar-2022	<b>Model:</b> Colt 300GV <b>Meters:</b> (N),G,H,I,J,K,L,M,O,P,Q,T <b>Spare Parts Only:</b> No <b>Bypass:</b> Ames 2000BM3 3/4" (H & VU)
<b>Type:</b> DCDA <b>Size:</b> 8 <b>Manual:</b> 9 <b>Approved:</b> 09-Mar-2007 <b>Shutoffs:</b> (zzz)	<b>Manufacturer:</b> Ames <b>Orientation:</b> VU <b>0.25% Pb:</b> No <b>Renewed:</b> 09-Mar-2022	<b>Model:</b> Colt 300GV <b>Meters:</b> (N),G,H,I,J,K,L,M,O,P,Q,T <b>Spare Parts Only:</b> No <b>Bypass:</b> Ames 2000BM3 3/4" (H & VU)
<b>Type:</b> DCDA <b>Size:</b> 10 <b>Manual:</b> 9 <b>Approved:</b> 17-Sep-2009 <b>Shutoffs:</b> (zzz)	<b>Manufacturer:</b> Ames <b>Orientation:</b> H <b>0.25% Pb:</b> No <b>Renewed:</b> 17-Sep-2021	<b>Model:</b> Colt 300GV <b>Meters:</b> (N),G,H,I,J,K,L,M,O,P,Q,T <b>Spare Parts Only:</b> No <b>Bypass:</b> Watts 007M3QT 3/4" (H), Ames 2000 BM3 (H)
<b>Type:</b> DCDA <b>Size:</b> 10 <b>Manual:</b> 9 <b>Approved:</b> 17-Sep-2009 <b>Shutoffs:</b> (zzz)	<b>Manufacturer:</b> Ames <b>Orientation:</b> VU <b>0.25% Pb:</b> No <b>Renewed:</b> 17-Sep-2021	<b>Model:</b> Colt 300GV <b>Meters:</b> (N),G,H,I,J,K,L,M,O,P,Q,T <b>Spare Parts Only:</b> No <b>Bypass:</b> Watts 007M3QT 3/4" (V), Ames 2000 BM3 (V)
<b>Type:</b> DCDA <b>Size:</b> 2 1/2 <b>Manual:</b> 9 <b>Approved:</b> 07-Apr-2009 <b>Shutoffs:</b> (yyy)	<b>Manufacturer:</b> Ames <b>Orientation:</b> VUVD <b>0.25% Pb:</b> No <b>Renewed:</b> 07-Apr-2021	<b>Model:</b> Colt 300NBF <b>Meters:</b> (N),G,H,I,J,K,L,M,O,P,Q,T <b>Spare Parts Only:</b> No <b>Bypass:</b> Ames 2000BM3 3/4" (H)

**Type:** DCDA                      **Manufacturer:** Ames                      **Model:** Colt 300NBF  
**Size:** 3                              **Orientation:** VUVD                      **Meters:** (N),G,H,I,J,K,L,M,O,P,Q,T  
**Manual:** 9                            **0.25% Pb:** No                           **Spare Parts Only:** No  
**Approved:** 07-Apr-2009           **Renewed:** 07-Apr-2021               **Bypass:** Ames 2000BM3 3/4" (H)  
**Shutoffs:** (yyy)

---

**Type:** DCDA                      **Manufacturer:** Ames                      **Model:** Colt 300NBF  
**Size:** 4                              **Orientation:** VUVD                      **Meters:** (N),G,H,I,J,K,L,M,O,P,Q,T  
**Manual:** 9                            **0.25% Pb:** No                           **Spare Parts Only:** No  
**Approved:** 07-Apr-2009           **Renewed:** 07-Apr-2021               **Bypass:** Ames 2000BM3 3/4" (H)  
**Shutoffs:** (yyy)

---

**Type:** DCDA                      **Manufacturer:** Ames                      **Model:** Colt 300NBF  
**Size:** 6                              **Orientation:** VUVD                      **Meters:** (N),G,H,I,J,K,L,M,O,P,Q,T  
**Manual:** 9                            **0.25% Pb:** No                           **Spare Parts Only:** No  
**Approved:** 07-Apr-2009           **Renewed:** 07-Apr-2021               **Bypass:** Ames 2000BM3 3/4" (H)  
**Shutoffs:** (yyy)

---

**Type:** DCDA                      **Manufacturer:** Ames                      **Model:** Colt 300NBF  
**Size:** 8                              **Orientation:** VUVD                      **Meters:** (N),G,H,I,J,K,L,M,O,P,Q,T  
**Manual:** 9                            **0.25% Pb:** No                           **Spare Parts Only:** No  
**Approved:** 03-Jan-2013           **Renewed:** 03-Jan-2022               **Bypass:** Ames 2000BM3 3/4" (H)  
**Shutoffs:** (yyy)

---

**Type:** DCDA                      **Manufacturer:** Ames                      **Model:** Colt 300NBF  
**Size:** 10                              **Orientation:** VUVD                      **Meters:** (N), H,I,J,K,L,M,N,O,P,Q  
**Manual:** 9                            **0.25% Pb:** No                           **Spare Parts Only:** No  
**Approved:** 28-May-2013           **Renewed:** 28-May-2022               **Bypass:** Ames 2000BM3 3/4" (H),  
Watts 007M3QT 3/4" (H)  
**Shutoffs:** (yyy)

---

**Type:** DCDA                      **Manufacturer:** Ames                      **Model:** Colt 300NGV  
**Size:** 2 1/2                            **Orientation:** VUVD                      **Meters:** (N),G,H,I,J,K,L,M,O,P,Q,T  
**Manual:** 9                            **0.25% Pb:** No                           **Spare Parts Only:** No  
**Approved:** 07-Apr-2009           **Renewed:** 07-Apr-2021               **Bypass:** Ames 2000BM3 3/4" (H)  
**Shutoffs:** (zzz)

**Type:** DCDA  
**Size:** 3  
**Manual:** 9  
**Approved:** 07-Apr-2009  
**Shutoffs:** (zzz)

**Manufacturer:** Ames  
**Orientation:** VUVD  
**0.25% Pb:** No  
**Renewed:** 07-Apr-2021

**Model:** Colt 300NGV  
**Meters:** (N),G,H,I,J,K,L,M,O,P,Q,T  
**Spare Parts Only:** No  
**Bypass:** Ames 2000BM3 3/4" (H)

---

**Type:** DCDA  
**Size:** 4  
**Manual:** 9  
**Approved:** 07-Apr-2009  
**Shutoffs:** (zzz)

**Manufacturer:** Ames  
**Orientation:** VUVD  
**0.25% Pb:** No  
**Renewed:** 07-Apr-2021

**Model:** Colt 300NGV  
**Meters:** (N),G,H,I,J,K,L,M,O,P,Q,T  
**Spare Parts Only:** No  
**Bypass:** Ames 2000BM3 3/4" (H)

---

**Type:** DCDA  
**Size:** 6  
**Manual:** 9  
**Approved:** 07-Apr-2009  
**Shutoffs:** (zzz)

**Manufacturer:** Ames  
**Orientation:** VUVD  
**0.25% Pb:** No  
**Renewed:** 07-Apr-2021

**Model:** Colt 300NGV  
**Meters:** (N),G,H,I,J,K,L,M,O,P,Q,T  
**Spare Parts Only:** No  
**Bypass:** Ames 2000BM3 3/4" (H)

---

**Type:** DCDA  
**Size:** 8  
**Manual:** 9  
**Approved:** 03-Jan-2013  
**Shutoffs:** (zzz)

**Manufacturer:** Ames  
**Orientation:** VUVD  
**0.25% Pb:** No  
**Renewed:** 03-Jan-2022

**Model:** Colt 300NGV  
**Meters:** (N),G,H,I,J,K,L,M,O,P,Q,T  
**Spare Parts Only:** No  
**Bypass:** Ames 2000BM3 3/4" (H)

---

**Type:** DCDA  
**Size:** 10  
**Manual:** 9  
**Approved:** 28-May-2013  
**Shutoffs:** (zzz)

**Manufacturer:** Ames  
**Orientation:** VUVD  
**0.25% Pb:** No  
**Renewed:** 28-May-2022

**Model:** Colt 300NGV  
**Meters:** (N), H,I,J,K,L,M,N,O,P,Q  
**Spare Parts Only:** No  
**Bypass:** Ames 2000BM3 3/4" (H),  
Watts 007M3QT 3/4" (H)

---

**Type:** DCDA  
**Size:** 4  
**Manual:**  
**Approved:**

**Manufacturer:** Ames  
**Orientation:**  
**0.25% Pb:** No  
**Renewed:**

**Model:** DCDA  
**Meters:**  
**Spare Parts Only:** No  
**Bypass:**

**Notes:** model designation changed to 3000DCDA

**Type:** DCDA **Manufacturer:** Ames **Model:** DCDA  
**Size:** 4 **Orientation:** **Meters:**  
**Manual:** **0.25% Pb:** No **Spare Parts Only:** No  
**Approved:** **Renewed:** **Bypass:**  
**Notes:** model designation changed to 3000GDCDA

---

**Type:** DCDA **Manufacturer:** Ames **Model:** DCDA  
**Size:** 8 **Orientation:** **Meters:**  
**Manual:** **0.25% Pb:** No **Spare Parts Only:** No  
**Approved:** **Renewed:** **Bypass:**  
**Notes:** model designation changed to 3000DCDA

---

**Type:** DCDA **Manufacturer:** Ames **Model:** DCDA  
**Size:** 8 **Orientation:** **Meters:**  
**Manual:** **0.25% Pb:** No **Spare Parts Only:** No  
**Approved:** **Renewed:** **Bypass:**  
**Notes:** model designation changed to 3000GDCDA

---

**Type:** DCDA **Manufacturer:** Ames **Model:** DCDA  
**Size:** 10 **Orientation:** **Meters:**  
**Manual:** **0.25% Pb:** No **Spare Parts Only:** No  
**Approved:** **Renewed:** **Bypass:**  
**Notes:** model designation changed to 3000DCDC

---

**Type:** DCDA **Manufacturer:** Ames **Model:** DCDA-I  
**Size:** 6 **Orientation:** **Meters:**  
**Manual:** **0.25% Pb:** No **Spare Parts Only:** No  
**Approved:** **Renewed:** **Bypass:**  
**Notes:** model designation changed to 3000DCDA

---

**Type:** DCDA **Manufacturer:** Ames **Model:** DCDA-I  
**Size:** 6 **Orientation:** **Meters:**  
**Manual:** **0.25% Pb:** No **Spare Parts Only:** No  
**Approved:** **Renewed:** **Bypass:**  
**Notes:** model designation changed to 3000GDCDA

---

<b>Type:</b> DCDA	<b>Manufacturer:</b> Ames	<b>Model:</b> DCDC
<b>Size:</b> 4	<b>Orientation:</b> H	<b>Meters:</b> (K),A,B,C,D,E,F,G,H,I,J,L,M,N,O,P,Q,T
<b>Manual:</b> 6	<b>0.25% Pb:</b> No	<b>Spare Parts Only:</b> Yes
<b>Approved:</b> 14-Jun-1985	<b>Renewed:</b> 14-Jun-2021	<b>Bypass:</b> Watts 709QT 3/4" (H)
<b>Shutoffs:</b> ee,ff,gg,hh,oo,pp,ccc,ddd,ffff,gggg		

---

<b>Type:</b> DCDA	<b>Manufacturer:</b> Ames	<b>Model:</b> DCDC
<b>Size:</b> 6	<b>Orientation:</b> H	<b>Meters:</b> (K),A,B,C,D,E,F,G,H,I,J,L,M,N,O,P,Q,T
<b>Manual:</b> 6	<b>0.25% Pb:</b> No	<b>Spare Parts Only:</b> Yes
<b>Approved:</b> 14-Jun-1985	<b>Renewed:</b> 14-Jun-2021	<b>Bypass:</b> Watts 709QT 3/4" (H)
<b>Shutoffs:</b> ee,ff,gg,hh,oo,pp,ccc,ddd,ffff,gggg		

---

<b>Type:</b> DCDA	<b>Manufacturer:</b> Ames	<b>Model:</b> DCDC
<b>Size:</b> 8	<b>Orientation:</b> H	<b>Meters:</b> (K),A,B,C,D,E,F,G,H,I,J,L,M,N,O,P,Q,T
<b>Manual:</b> 7	<b>0.25% Pb:</b> No	<b>Spare Parts Only:</b> Yes
<b>Approved:</b> 04-Aug-1987	<b>Renewed:</b> 04-Aug-2020	<b>Bypass:</b> Watts 709QT 3/4" (H)
<b>Shutoffs:</b> ee,ff,gg,hh,oo,pp,ccc,ddd,ffff,gggg		

---

<b>Type:</b> DCDA	<b>Manufacturer:</b> Ames	<b>Model:</b> DCDC
<b>Size:</b> 10	<b>Orientation:</b>	<b>Meters:</b>
<b>Manual:</b>	<b>0.25% Pb:</b> No	<b>Spare Parts Only:</b> No
<b>Approved:</b>	<b>Renewed:</b>	<b>Bypass:</b>
<b>Notes:</b> model designation changed to 3000GDCDC		

---

<b>Type:</b> DCDA	<b>Manufacturer:</b> Ames	<b>Model:</b> LFColt 300BF
<b>Size:</b> 2 1/2	<b>Orientation:</b> H	<b>Meters:</b> (O)
<b>Manual:</b> 9	<b>0.25% Pb:</b> Yes	<b>Spare Parts Only:</b> No
<b>Approved:</b> 08-Jan-2014	<b>Renewed:</b> 08-Jan-2020	<b>Bypass:</b> Watts LF007M3QT 3/4" (H), Ames LF2000BM3 3/4" (H)
<b>Shutoffs:</b> (yyy)		
<b>Notes:</b> Lead free compliant version identified with NSF61 mark on meter		

**Type:** DCDA  
**Size:** 2 1/2  
**Manual:** 9  
**Approved:** 08-Jan-2014  
**Shutoffs:** (yyy)  
**Notes:** Lead free compliant version identified with NSF61 mark on meter

**Manufacturer:** Ames  
**Orientation:** VU  
**0.25% Pb:** Yes  
**Renewed:** 08-Jan-2020

**Model:** LFColt 300BF  
**Meters:** (O)  
**Spare Parts Only:** No  
**Bypass:** Watts LF007M3QT 3/4" (VU),  
Ames LF2000BM3 3/4" (VU)

---

**Type:** DCDA  
**Size:** 3  
**Manual:** 9  
**Approved:** 08-Jan-2014  
**Shutoffs:** (yyy)  
**Notes:** Lead free compliant version identified with NSF61 mark on meter

**Manufacturer:** Ames  
**Orientation:** H  
**0.25% Pb:** Yes  
**Renewed:** 08-Jan-2020

**Model:** LFColt 300BF  
**Meters:** (O)  
**Spare Parts Only:** No  
**Bypass:** Watts LF007M3QT 3/4" (H),  
Ames LF2000BM3 3/4" (H)

---

**Type:** DCDA  
**Size:** 3  
**Manual:** 9  
**Approved:** 08-Jan-2014  
**Shutoffs:** (yyy)  
**Notes:** Lead free compliant version identified with NSF61 mark on meter

**Manufacturer:** Ames  
**Orientation:** VU  
**0.25% Pb:** Yes  
**Renewed:** 08-Jan-2020

**Model:** LFColt 300BF  
**Meters:** (O)  
**Spare Parts Only:** No  
**Bypass:** Watts LF007M3QT 3/4" (VU),  
Ames LF2000BM3 3/4" (VU)

---

**Type:** DCDA  
**Size:** 4  
**Manual:** 9  
**Approved:** 08-Jan-2014  
**Shutoffs:** (yyy)  
**Notes:** Lead free compliant version identified with NSF61 mark on meter

**Manufacturer:** Ames  
**Orientation:** H  
**0.25% Pb:** Yes  
**Renewed:** 08-Jan-2020

**Model:** LFColt 300BF  
**Meters:** (O)  
**Spare Parts Only:** No  
**Bypass:** Watts LF007M3QT 3/4" (H),  
Ames LF2000BM3 3/4" (H)

---

**Type:** DCDA  
**Size:** 4  
**Manual:** 9  
**Approved:** 08-Jan-2014  
**Shutoffs:** (yyy)  
**Notes:** Lead free compliant version identified with NSF61 mark on meter

**Manufacturer:** Ames  
**Orientation:** VU  
**0.25% Pb:** Yes  
**Renewed:** 08-Jan-2020

**Model:** LFColt 300BF  
**Meters:** (O)  
**Spare Parts Only:** No  
**Bypass:** Watts LF007M3QT 3/4" (VU),  
Ames LF2000BM3 3/4" (VU)

**Type:** DCDA                                      **Manufacturer:** Ames                                      **Model:** LFColt 300BF  
**Size:** 6    **Orientation:** H    **Meters:** (O)  
**Manual:** 9    **0.25% Pb:** Yes    **Spare Parts Only:** No  
**Approved:** 08-Jan-2014                                      **Renewed:** 08-Jan-2020                                      **Bypass:** Watts LF007M3QT 3/4" (H),  
Ames LF2000BM3 3/4" (H)  
**Shutoffs:** (yyy)  
**Notes:** Lead free compliant version identified with NSF61 mark on meter

---

**Type:** DCDA                                      **Manufacturer:** Ames                                      **Model:** LFColt 300BF  
**Size:** 6    **Orientation:** VU    **Meters:** (O)  
**Manual:** 9    **0.25% Pb:** Yes    **Spare Parts Only:** No  
**Approved:** 08-Jan-2014                                      **Renewed:** 08-Jan-2020                                      **Bypass:** Watts LF007M3QT 3/4" (VU),  
Ames LF2000BM3 3/4" (VU)  
**Shutoffs:** (yyy)  
**Notes:** Lead free compliant version identified with NSF61 mark on meter

---

**Type:** DCDA                                      **Manufacturer:** Ames                                      **Model:** LFColt 300BF  
**Size:** 8    **Orientation:** H    **Meters:** (O)  
**Manual:** 9    **0.25% Pb:** Yes    **Spare Parts Only:** No  
**Approved:** 08-Jan-2014                                      **Renewed:** 08-Jan-2020                                      **Bypass:** Watts LF007M3QT 3/4" (H),  
Ames LF2000BM3 3/4" (H)  
**Shutoffs:** (yyy)  
**Notes:** Lead free compliant version identified with NSF61 mark on meter

---

**Type:** DCDA                                      **Manufacturer:** Ames                                      **Model:** LFColt 300BF  
**Size:** 8    **Orientation:** VU    **Meters:** (O)  
**Manual:** 9    **0.25% Pb:** Yes    **Spare Parts Only:** No  
**Approved:** 08-Jan-2014                                      **Renewed:** 08-Jan-2020                                      **Bypass:** Watts LF007M3QT 3/4" (VU),  
Ames LF2000BM3 3/4" (VU)  
**Shutoffs:** (yyy)  
**Notes:** Lead free compliant version identified with NSF61 mark on meter

---

**Type:** DCDA                                      **Manufacturer:** Ames                                      **Model:** LFColt 300BF  
**Size:** 10    **Orientation:** H    **Meters:** (O)  
**Manual:** 9    **0.25% Pb:** Yes    **Spare Parts Only:** No  
**Approved:** 08-Jan-2014                                      **Renewed:** 08-Jan-2020                                      **Bypass:** Watts LF007M3QT 3/4" (H),  
Ames LF2000BM3 3/4" (H)  
**Shutoffs:** (yyy)  
**Notes:** Lead free compliant version identified with NSF61 mark on meter

**Type:** DCDA                                       **Manufacturer:** Ames                                       **Model:** LFColt 300BF  
**Size:** 10   **Orientation:** VU   **Meters:** (O)  
**Manual:** 9   **0.25% Pb:** Yes   **Spare Parts Only:** No  
**Approved:** 08-Jan-2014                                       **Renewed:** 08-Jan-2020                                       **Bypass:** Watts LF007M3QT 3/4" (VU),  
Ames LF2000BM3 3/4" (VU)  
**Shutoffs:** (yyy)  
**Notes:** Lead free compliant version identified with NSF61 mark on meter

---

**Type:** DCDA                                       **Manufacturer:** Ames                                       **Model:** LFColt 300GV  
**Size:** 2 1/2   **Orientation:** H   **Meters:** (O)  
**Manual:** 9   **0.25% Pb:** Yes   **Spare Parts Only:** No  
**Approved:** 08-Jan-2014                                       **Renewed:** 08-Jan-2020                                       **Bypass:** Watts LF007M3QT 3/4" (H),  
Ames LF2000BM3 3/4" (H)  
**Shutoffs:** (zzz)  
**Notes:** Lead free compliant version identified with NSF61 mark on meter

---

**Type:** DCDA                                       **Manufacturer:** Ames                                       **Model:** LFColt 300GV  
**Size:** 2 1/2   **Orientation:** VU   **Meters:** (O)  
**Manual:** 9   **0.25% Pb:** Yes   **Spare Parts Only:** No  
**Approved:** 08-Jan-2014                                       **Renewed:** 08-Jan-2020                                       **Bypass:** Watts LF007M3QT 3/4" (VU),  
Ames LF2000BM3 3/4" (VU)  
**Shutoffs:** (zzz)  
**Notes:** Lead free compliant version identified with NSF61 mark on meter

---

**Type:** DCDA                                       **Manufacturer:** Ames                                       **Model:** LFColt 300GV  
**Size:** 3   **Orientation:** H   **Meters:** (O)  
**Manual:** 9   **0.25% Pb:** Yes   **Spare Parts Only:** No  
**Approved:** 08-Jan-2014                                       **Renewed:** 08-Jan-2020                                       **Bypass:** Watts LF007M3QT 3/4" (H),  
Ames LF2000BM3 3/4" (H)  
**Shutoffs:** (zzz)  
**Notes:** Lead free compliant version identified with NSF61 mark on meter

---

**Type:** DCDA                                       **Manufacturer:** Ames                                       **Model:** LFColt 300GV  
**Size:** 3   **Orientation:** VU   **Meters:** (O)  
**Manual:** 9   **0.25% Pb:** Yes   **Spare Parts Only:** No  
**Approved:** 08-Jan-2014                                       **Renewed:** 08-Jan-2020                                       **Bypass:** Watts LF007M3QT 3/4" (VU),  
Ames LF2000BM3 3/4" (VU)  
**Shutoffs:** (zzz)  
**Notes:** Lead free compliant version identified with NSF61 mark on meter



**Type:** DCDA                              **Manufacturer:** Ames                              **Model:** LFColt 300GV  
**Size:** 4                                      **Orientation:** H                                      **Meters:** (O)  
**Manual:** 9                                      **0.25% Pb:** Yes                                      **Spare Parts Only:** No  
**Approved:** 08-Jan-2014                              **Renewed:** 08-Jan-2020                              **Bypass:** Watts LF007M3QT 3/4" (H),  
Ames LF2000BM3 3/4" (H)  
**Shutoffs:** (zzz)  
**Notes:** Lead free compliant version identified with NSF61 mark on meter

---

**Type:** DCDA                              **Manufacturer:** Ames                              **Model:** LFColt 300GV  
**Size:** 4                                      **Orientation:** VU                                      **Meters:** (O)  
**Manual:** 9                                      **0.25% Pb:** Yes                                      **Spare Parts Only:** No  
**Approved:** 08-Jan-2014                              **Renewed:** 08-Jan-2020                              **Bypass:** Watts LF007M3QT 3/4" (VU),  
Ames LF2000BM3 3/4" (VU)  
**Shutoffs:** (zzz)  
**Notes:** Lead free compliant version identified with NSF61 mark on meter

---

**Type:** DCDA                              **Manufacturer:** Ames                              **Model:** LFColt 300GV  
**Size:** 6                                      **Orientation:** H                                      **Meters:** (O)  
**Manual:** 9                                      **0.25% Pb:** Yes                                      **Spare Parts Only:** No  
**Approved:** 08-Jan-2014                              **Renewed:** 08-Jan-2020                              **Bypass:** Watts LF007M3QT 3/4" (H),  
Ames LF2000BM3 3/4" (H)  
**Shutoffs:** (zzz)  
**Notes:** Lead free compliant version identified with NSF61 mark on meter

---

**Type:** DCDA                              **Manufacturer:** Ames                              **Model:** LFColt 300GV  
**Size:** 6                                      **Orientation:** VU                                      **Meters:** (O)  
**Manual:** 9                                      **0.25% Pb:** Yes                                      **Spare Parts Only:** No  
**Approved:** 08-Jan-2014                              **Renewed:** 08-Jan-2020                              **Bypass:** Watts LF007M3QT 3/4" (VU),  
Ames LF2000BM3 3/4" (VU)  
**Shutoffs:** (zzz)  
**Notes:** Lead free compliant version identified with NSF61 mark on meter

---

**Type:** DCDA                              **Manufacturer:** Ames                              **Model:** LFColt 300GV  
**Size:** 8                                      **Orientation:** H                                      **Meters:** (O)  
**Manual:** 9                                      **0.25% Pb:** Yes                                      **Spare Parts Only:** No  
**Approved:** 08-Jan-2014                              **Renewed:** 08-Jan-2020                              **Bypass:** Watts LF007M3QT 3/4" (H),  
Ames LF2000BM3 3/4" (H)  
**Shutoffs:** (zzz)  
**Notes:** Lead free compliant version identified with NSF61 mark on meter

**Type:** DCDA                                 **Manufacturer:** Ames                                 **Model:** LFColt 300GV  
**Size:** 8   **Orientation:** VU   **Meters:** (O)  
**Manual:** 9   **0.25% Pb:** Yes   **Spare Parts Only:** No  
**Approved:** 08-Jan-2014                                 **Renewed:** 08-Jan-2020                                 **Bypass:** Watts LF007M3QT 3/4" (VU),  
Ames LF2000BM3 3/4" (VU)  
**Shutoffs:** (zzz)  
**Notes:** Lead free compliant version identified with NSF61 mark on meter

---

**Type:** DCDA                                 **Manufacturer:** Ames                                 **Model:** LFColt 300GV  
**Size:** 10   **Orientation:** H   **Meters:** (O)  
**Manual:** 9   **0.25% Pb:** Yes   **Spare Parts Only:** No  
**Approved:** 08-Jan-2014                                 **Renewed:** 08-Jan-2020                                 **Bypass:** Watts LF007M3QT 3/4" (H),  
Ames LF2000BM3 3/4" (H)  
**Shutoffs:** (zzz)  
**Notes:** Lead free compliant version identified with NSF61 mark on meter

---

**Type:** DCDA                                 **Manufacturer:** Ames                                 **Model:** LFColt 300GV  
**Size:** 10   **Orientation:** VU   **Meters:** (O)  
**Manual:** 9   **0.25% Pb:** Yes   **Spare Parts Only:** No  
**Approved:** 08-Jan-2014                                 **Renewed:** 08-Jan-2020                                 **Bypass:** Watts LF007M3QT 3/4" (VU),  
Ames LF2000BM3 3/4" (VU)  
**Shutoffs:** (zzz)  
**Notes:** Lead free compliant version identified with NSF61 mark on meter

---

**Type:** DCDA                                 **Manufacturer:** Ames                                 **Model:** LFColt 300NBF  
**Size:** 2 1/2   **Orientation:** VUVD   **Meters:** (O)  
**Manual:** 9   **0.25% Pb:** Yes   **Spare Parts Only:** No  
**Approved:** 08-Jan-2014                                 **Renewed:** 08-Jan-2020                                 **Bypass:** Watts LF007M3QT 3/4" (H),  
Ames LF2000BM3 3/4" (H)  
**Shutoffs:** (yyy)  
**Notes:** Lead free compliant version identified with NSF61 mark on meter

---

**Type:** DCDA                                 **Manufacturer:** Ames                                 **Model:** LFColt 300NBF  
**Size:** 3   **Orientation:** VUVD   **Meters:** (O)  
**Manual:** 9   **0.25% Pb:** Yes   **Spare Parts Only:** No  
**Approved:** 08-Jan-2014                                 **Renewed:** 08-Jan-2020                                 **Bypass:** Watts LF007M3QT 3/4" (H),  
Ames LF2000BM3 3/4" (H)  
**Shutoffs:** (yyy)  
**Notes:** Lead free compliant version identified with NSF61 mark on meter

**Type:** DCDA                                   **Manufacturer:** Ames                                   **Model:** LFColt 300NBF  
**Size:** 4   **Orientation:** VUVD                                   **Meters:** (O)  
**Manual:** 9   **0.25% Pb:** Yes                                   **Spare Parts Only:** No  
**Approved:** 08-Jan-2014                   **Renewed:** 08-Jan-2020                   **Bypass:** Watts LF007M3QT 3/4" (H),  
Ames LF2000BM3 3/4" (H)  
**Shutoffs:** (yyy)  
**Notes:** Lead free compliant version identified with NSF61 mark on meter

---

**Type:** DCDA                                   **Manufacturer:** Ames                                   **Model:** LFColt 300NBF  
**Size:** 6   **Orientation:** VUVD                                   **Meters:** (O)  
**Manual:** 9   **0.25% Pb:** Yes                                   **Spare Parts Only:** No  
**Approved:** 08-Jan-2014                   **Renewed:** 08-Jan-2020                   **Bypass:** Watts LF007M3QT 3/4" (H),  
Ames LF2000BM3 3/4" (H)  
**Shutoffs:** (yyy)  
**Notes:** Lead free compliant version identified with NSF61 mark on meter

---

**Type:** DCDA                                   **Manufacturer:** Ames                                   **Model:** LFColt 300NBF  
**Size:** 8   **Orientation:** VUVD                                   **Meters:** (O)  
**Manual:** 9   **0.25% Pb:** Yes                                   **Spare Parts Only:** No  
**Approved:** 08-Jan-2014                   **Renewed:** 08-Jan-2020                   **Bypass:** Watts LF007M3QT 3/4" (H),  
Ames LF2000BM3 3/4" (H)  
**Shutoffs:** (yyy)  
**Notes:** Lead free compliant version identified with NSF61 mark on meter

---

**Type:** DCDA                                   **Manufacturer:** Ames                                   **Model:** LFColt 300NBF  
**Size:** 10   **Orientation:** VUVD                                   **Meters:** (O)  
**Manual:** 9   **0.25% Pb:** Yes                                   **Spare Parts Only:** No  
**Approved:** 08-Jan-2014                   **Renewed:** 08-Jan-2020                   **Bypass:** Watts LF007M3QT 3/4" (H),  
Ames LF2000BM3 3/4" (H)  
**Shutoffs:** (yyy)  
**Notes:** Lead free compliant version identified with NSF61 mark on meter

---

**Type:** DCDA                                   **Manufacturer:** Ames                                   **Model:** LFColt 300NGV  
**Size:** 2 1/2                                     **Orientation:** VUVD                                   **Meters:** (O)  
**Manual:** 9   **0.25% Pb:** Yes                                   **Spare Parts Only:** No  
**Approved:** 08-Jan-2014                   **Renewed:** 08-Jan-2020                   **Bypass:** Watts LF007M3QT 3/4" (H),  
Ames LF2000BM3 3/4" (H)  
**Shutoffs:** (zzz)  
**Notes:** Lead free compliant version identified with NSF61 mark on meter

**Type:** DCDA  
**Size:** 3  
**Manual:** 9  
**Approved:** 08-Jan-2014  
**Shutoffs:** (zzz)  
**Notes:** Lead free compliant version identified with NSF61 mark on meter

**Manufacturer:** Ames  
**Orientation:** VUVD  
**0.25% Pb:** Yes  
**Renewed:** 08-Jan-2020

**Model:** LFColt 300NGV  
**Meters:** (O)  
**Spare Parts Only:** No  
**Bypass:** Watts LF007M3QT 3/4" (H),  
Ames LF2000BM3 3/4" (H)

---

**Type:** DCDA  
**Size:** 4  
**Manual:** 9  
**Approved:** 08-Jan-2014  
**Shutoffs:** (zzz)  
**Notes:** Lead free compliant version identified with NSF61 mark on meter

**Manufacturer:** Ames  
**Orientation:** VUVD  
**0.25% Pb:** Yes  
**Renewed:** 08-Jan-2020

**Model:** LFColt 300NGV  
**Meters:** (O)  
**Spare Parts Only:** No  
**Bypass:** Watts LF007M3QT 3/4" (H),  
Ames LF2000BM3 3/4" (H)

---

**Type:** DCDA  
**Size:** 6  
**Manual:** 9  
**Approved:** 08-Jan-2014  
**Shutoffs:** (zzz)  
**Notes:** Lead free compliant version identified with NSF61 mark on meter

**Manufacturer:** Ames  
**Orientation:** VUVD  
**0.25% Pb:** Yes  
**Renewed:** 08-Jan-2020

**Model:** LFColt 300NGV  
**Meters:** (O)  
**Spare Parts Only:** No  
**Bypass:** Watts LF007M3QT 3/4" (H),  
Ames LF2000BM3 3/4" (H)

---

**Type:** DCDA  
**Size:** 8  
**Manual:** 9  
**Approved:** 08-Jan-2014  
**Shutoffs:** (zzz)  
**Notes:** Lead free compliant version identified with NSF61 mark on meter

**Manufacturer:** Ames  
**Orientation:** VUVD  
**0.25% Pb:** Yes  
**Renewed:** 08-Jan-2020

**Model:** LFColt 300NGV  
**Meters:** (O)  
**Spare Parts Only:** No  
**Bypass:** Watts LF007M3QT 3/4" (H),  
Ames LF2000BM3 3/4" (H)

---

**Type:** DCDA  
**Size:** 10  
**Manual:** 9  
**Approved:** 08-Jan-2014  
**Shutoffs:** (zzz)  
**Notes:** Lead free compliant version identified with NSF61 mark on meter

**Manufacturer:** Ames  
**Orientation:** VUVD  
**0.25% Pb:** Yes  
**Renewed:** 08-Jan-2020

**Model:** LFColt 300NGV  
**Meters:** (O)  
**Spare Parts Only:** No  
**Bypass:** Watts LF007M3QT 3/4" (H),  
Ames LF2000BM3 3/4" (H)

**Type:** DCDA  
**Size:** 2 1/2  
**Manual:** 9  
**Approved:** 08-Jan-2014  
**Shutoffs:** (yyy)  
**Notes:** Lead free compliant version identified with NSF61 mark on meter

**Manufacturer:** Ames  
**Orientation:** H  
**0.25% Pb:** Yes  
**Renewed:** 08-Jan-2020

**Model:** LFMaxim 300BF  
**Meters:** (O)  
**Spare Parts Only:** No  
**Bypass:** Watts LF007M3QT 3/4" (H),  
Ames LF2000BM3 3/4" (H)

---

**Type:** DCDA  
**Size:** 2 1/2  
**Manual:** 9  
**Approved:** 08-Jan-2014  
**Shutoffs:** (yyy)  
**Notes:** Lead free compliant version identified with NSF61 mark on meter

**Manufacturer:** Ames  
**Orientation:** VU  
**0.25% Pb:** Yes  
**Renewed:** 08-Jan-2020

**Model:** LFMaxim 300BF  
**Meters:** (O)  
**Spare Parts Only:** No  
**Bypass:** Watts LF007M3QT 3/4" (VU),  
Ames LF2000BM3 3/4" (VU)

---

**Type:** DCDA  
**Size:** 3  
**Manual:** 9  
**Approved:** 08-Jan-2014  
**Shutoffs:** (yyy)  
**Notes:** Lead free compliant version identified with NSF61 mark on meter

**Manufacturer:** Ames  
**Orientation:** H  
**0.25% Pb:** Yes  
**Renewed:** 08-Jan-2020

**Model:** LFMaxim 300BF  
**Meters:** (O)  
**Spare Parts Only:** No  
**Bypass:** Watts LF007M3QT 3/4" (H),  
Ames LF2000BM3 3/4" (H)

---

**Type:** DCDA  
**Size:** 3  
**Manual:** 9  
**Approved:** 08-Jan-2014  
**Shutoffs:** (yyy)  
**Notes:** Lead free compliant version identified with NSF61 mark on meter

**Manufacturer:** Ames  
**Orientation:** VU  
**0.25% Pb:** Yes  
**Renewed:** 08-Jan-2020

**Model:** LFMaxim 300BF  
**Meters:** (O)  
**Spare Parts Only:** No  
**Bypass:** Watts LF007M3QT 3/4" (VU),  
Ames LF2000BM3 3/4" (VU)

---

**Type:** DCDA  
**Size:** 4  
**Manual:** 9  
**Approved:** 08-Jan-2014  
**Shutoffs:** (yyy)  
**Notes:** Lead free compliant version identified with NSF61 mark on meter

**Manufacturer:** Ames  
**Orientation:** H  
**0.25% Pb:** Yes  
**Renewed:** 08-Jan-2020

**Model:** LFMaxim 300BF  
**Meters:** (O)  
**Spare Parts Only:** No  
**Bypass:** Watts LF007M3QT 3/4" (H),  
Ames LF2000BM3 3/4" (H)

**Type:** DCDA                                      **Manufacturer:** Ames                                      **Model:** LFMaxim 300BF  
**Size:** 4    **Orientation:** VU    **Meters:** (O)  
**Manual:** 9    **0.25% Pb:** Yes    **Spare Parts Only:** No  
**Approved:** 08-Jan-2014                                      **Renewed:** 08-Jan-2020                                      **Bypass:** Watts LF007M3QT 3/4" (VU),  
Ames LF2000BM3 3/4" (VU)  
**Shutoffs:** (yyy)  
**Notes:** Lead free compliant version identified with NSF61 mark on meter

---

**Type:** DCDA                                      **Manufacturer:** Ames                                      **Model:** LFMaxim 300BF  
**Size:** 6    **Orientation:** H    **Meters:** (O)  
**Manual:** 9    **0.25% Pb:** Yes    **Spare Parts Only:** No  
**Approved:** 08-Jan-2014                                      **Renewed:** 08-Jan-2020                                      **Bypass:** Watts LF007M3QT 3/4" (H),  
Ames LF2000BM3 3/4" (H)  
**Shutoffs:** (yyy)  
**Notes:** Lead free compliant version identified with NSF61 mark on meter

---

**Type:** DCDA                                      **Manufacturer:** Ames                                      **Model:** LFMaxim 300BF  
**Size:** 6    **Orientation:** VU    **Meters:** (O)  
**Manual:** 9    **0.25% Pb:** Yes    **Spare Parts Only:** No  
**Approved:** 08-Jan-2014                                      **Renewed:** 08-Jan-2020                                      **Bypass:** Watts LF007M3QT 3/4" (VU),  
Ames LF2000BM3 3/4" (VU)  
**Shutoffs:** (yyy)  
**Notes:** Lead free compliant version identified with NSF61 mark on meter

---

**Type:** DCDA                                      **Manufacturer:** Ames                                      **Model:** LFMaxim 300BF  
**Size:** 8    **Orientation:** H    **Meters:** (O)  
**Manual:** 9    **0.25% Pb:** Yes    **Spare Parts Only:** No  
**Approved:** 08-Jan-2014                                      **Renewed:** 08-Jan-2020                                      **Bypass:** Watts LF007M3QT 3/4" (H),  
Ames LF2000BM3 3/4" (H)  
**Shutoffs:** (yyy)  
**Notes:** Lead free compliant version identified with NSF61 mark on meter

---

**Type:** DCDA                                      **Manufacturer:** Ames                                      **Model:** LFMaxim 300BF  
**Size:** 8    **Orientation:** VU    **Meters:** (O)  
**Manual:** 9    **0.25% Pb:** Yes    **Spare Parts Only:** No  
**Approved:** 08-Jan-2014                                      **Renewed:** 08-Jan-2020                                      **Bypass:** Watts LF007M3QT 3/4" (VU),  
Ames LF2000BM3 3/4" (VU)  
**Shutoffs:** (yyy)  
**Notes:** Lead free compliant version identified with NSF61 mark on meter

**Type:** DCDA  
**Size:** 10  
**Manual:** 9  
**Approved:** 08-Jan-2014  
**Shutoffs:** (yyy)  
**Notes:** Lead free compliant version identified with NSF61 mark on meter

**Manufacturer:** Ames  
**Orientation:** H  
**0.25% Pb:** Yes  
**Renewed:** 08-Jan-2020

**Model:** LFMaxim 300BF  
**Meters:** (O)  
**Spare Parts Only:** No  
**Bypass:** Watts LF007M3QT 3/4" (H),  
Ames LF2000BM3 3/4" (H)

---

**Type:** DCDA  
**Size:** 10  
**Manual:** 9  
**Approved:** 08-Jan-2014  
**Shutoffs:** (yyy)  
**Notes:** Lead free compliant version identified with NSF61 mark on meter

**Manufacturer:** Ames  
**Orientation:** VU  
**0.25% Pb:** Yes  
**Renewed:** 08-Jan-2020

**Model:** LFMaxim 300BF  
**Meters:** (O)  
**Spare Parts Only:** No  
**Bypass:** Watts LF007M3QT 3/4" (VU),  
Ames LF2000BM3 3/4" (VU)

---

**Type:** DCDA  
**Size:** 2 1/2  
**Manual:** 9  
**Approved:** 08-Jan-2014  
**Shutoffs:** (zzz)  
**Notes:** Lead free compliant version identified with NSF61 mark on meter

**Manufacturer:** Ames  
**Orientation:** H  
**0.25% Pb:** Yes  
**Renewed:** 08-Jan-2020

**Model:** LFMaxim 300GV  
**Meters:** (O)  
**Spare Parts Only:** No  
**Bypass:** Watts LF007M3QT 3/4" (H),  
Ames LF2000BM3 3/4" (H)

---

**Type:** DCDA  
**Size:** 2 1/2  
**Manual:** 9  
**Approved:** 08-Jan-2014  
**Shutoffs:** (zzz)  
**Notes:** Lead free compliant version identified with NSF61 mark on meter

**Manufacturer:** Ames  
**Orientation:** VU  
**0.25% Pb:** Yes  
**Renewed:** 08-Jan-2020

**Model:** LFMaxim 300GV  
**Meters:** (O)  
**Spare Parts Only:** No  
**Bypass:** Watts LF007M3QT 3/4" (VU),  
Ames LF2000BM3 3/4" (VU)

---

**Type:** DCDA  
**Size:** 3  
**Manual:** 9  
**Approved:** 08-Jan-2014  
**Shutoffs:** (zzz)  
**Notes:** Lead free compliant version identified with NSF61 mark on meter

**Manufacturer:** Ames  
**Orientation:** H  
**0.25% Pb:** Yes  
**Renewed:** 08-Jan-2020

**Model:** LFMaxim 300GV  
**Meters:** (O)  
**Spare Parts Only:** No  
**Bypass:** Watts LF007M3QT 3/4" (H),  
Ames LF2000BM3 3/4" (H)

**Type:** DCDA                      **Manufacturer:** Ames                      **Model:** LFMaxim 300GV  
**Size:** 3                              **Orientation:** VU                              **Meters:** (O)  
**Manual:** 9                              **0.25% Pb:** Yes                              **Spare Parts Only:** No  
**Approved:** 08-Jan-2014                      **Renewed:** 08-Jan-2020                      **Bypass:** Watts LF007M3QT 3/4" (VU),  
Ames LF2000BM3 3/4" (VU)  
**Shutoffs:** (zzz)  
**Notes:** Lead free compliant version identified with NSF61 mark on meter

---

**Type:** DCDA                      **Manufacturer:** Ames                      **Model:** LFMaxim 300GV  
**Size:** 4                              **Orientation:** H                              **Meters:** (O)  
**Manual:** 9                              **0.25% Pb:** Yes                              **Spare Parts Only:** No  
**Approved:** 08-Jan-2014                      **Renewed:** 08-Jan-2020                      **Bypass:** Watts LF007M3QT 3/4" (H),  
Ames LF2000BM3 3/4" (H)  
**Shutoffs:** (zzz)  
**Notes:** Lead free compliant version identified with NSF61 mark on meter

---

**Type:** DCDA                      **Manufacturer:** Ames                      **Model:** LFMaxim 300GV  
**Size:** 4                              **Orientation:** VU                              **Meters:** (O)  
**Manual:** 9                              **0.25% Pb:** Yes                              **Spare Parts Only:** No  
**Approved:** 08-Jan-2014                      **Renewed:** 08-Jan-2020                      **Bypass:** Watts LF007M3QT 3/4" (VU),  
Ames LF2000BM3 3/4" (VU)  
**Shutoffs:** (zzz)  
**Notes:** Lead free compliant version identified with NSF61 mark on meter

---

**Type:** DCDA                      **Manufacturer:** Ames                      **Model:** LFMaxim 300GV  
**Size:** 6                              **Orientation:** H                              **Meters:** (O)  
**Manual:** 9                              **0.25% Pb:** Yes                              **Spare Parts Only:** No  
**Approved:** 08-Jan-2014                      **Renewed:** 08-Jan-2020                      **Bypass:** Watts LF007M3QT 3/4" (H),  
Ames LF2000BM3 3/4" (H)  
**Shutoffs:** (zzz)  
**Notes:** Lead free compliant version identified with NSF61 mark on meter

---

**Type:** DCDA                      **Manufacturer:** Ames                      **Model:** LFMaxim 300GV  
**Size:** 6                              **Orientation:** VU                              **Meters:** (O)  
**Manual:** 9                              **0.25% Pb:** Yes                              **Spare Parts Only:** No  
**Approved:** 08-Jan-2014                      **Renewed:** 08-Jan-2020                      **Bypass:** Watts LF007M3QT 3/4" (VU),  
Ames LF2000BM3 3/4" (VU)  
**Shutoffs:** (zzz)  
**Notes:** Lead free compliant version identified with NSF61 mark on meter



**Type:** DCDA                              **Manufacturer:** Ames                              **Model:** LFMaxim 300GV  
**Size:** 8                                      **Orientation:** H                                      **Meters:** (O)  
**Manual:** 9                                   **0.25% Pb:** Yes                                   **Spare Parts Only:** No  
**Approved:** 08-Jan-2014                      **Renewed:** 08-Jan-2020                      **Bypass:** Watts LF007M3QT 3/4" (H),  
Ames LF2000BM3 3/4" (H)  
**Shutoffs:** (zzz)  
**Notes:** Lead free compliant version identified with NSF61 mark on meter

---

**Type:** DCDA                              **Manufacturer:** Ames                              **Model:** LFMaxim 300GV  
**Size:** 8                                      **Orientation:** VU                                      **Meters:** (O)  
**Manual:** 9                                   **0.25% Pb:** Yes                                   **Spare Parts Only:** No  
**Approved:** 08-Jan-2014                      **Renewed:** 08-Jan-2020                      **Bypass:** Watts LF007M3QT 3/4" (VU),  
Ames LF2000BM3 3/4" (VU)  
**Shutoffs:** (zzz)  
**Notes:** Lead free compliant version identified with NSF61 mark on meter

---

**Type:** DCDA                              **Manufacturer:** Ames                              **Model:** LFMaxim 300GV  
**Size:** 10                                      **Orientation:** H                                      **Meters:** (O)  
**Manual:** 9                                   **0.25% Pb:** Yes                                   **Spare Parts Only:** No  
**Approved:** 08-Jan-2014                      **Renewed:** 08-Jan-2020                      **Bypass:** Watts LF007M3QT 3/4" (H),  
Ames LF2000BM3 3/4" (H)  
**Shutoffs:** (zzz)  
**Notes:** Lead free compliant version identified with NSF61 mark on meter

---

**Type:** DCDA                              **Manufacturer:** Ames                              **Model:** LFMaxim 300GV  
**Size:** 10                                      **Orientation:** VU                                      **Meters:** (O)  
**Manual:** 9                                   **0.25% Pb:** Yes                                   **Spare Parts Only:** No  
**Approved:** 08-Jan-2014                      **Renewed:** 08-Jan-2020                      **Bypass:** Watts LF007M3QT 3/4" (VU),  
Ames LF2000BM3 3/4" (VU)  
**Shutoffs:** (zzz)  
**Notes:** Lead free compliant version identified with NSF61 mark on meter

---

**Type:** DCDA                              **Manufacturer:** Ames                              **Model:** LFMaxim 300NBF  
**Size:** 2 1/2                                      **Orientation:** VUVD                                      **Meters:** (O)  
**Manual:** 9                                   **0.25% Pb:** Yes                                   **Spare Parts Only:** No  
**Approved:** 08-Jan-2014                      **Renewed:** 08-Jan-2020                      **Bypass:** Watts LF007M3QT 3/4" (H),  
Ames LF2000BM3 3/4" (H)  
**Shutoffs:** (yyy)  
**Notes:** Lead free compliant version identified with NSF61 mark on meter

**Type:** DCDA                      **Manufacturer:** Ames                      **Model:** LFMaxim 300NBF  
**Size:** 3                              **Orientation:** VUVD                      **Meters:** (O)  
**Manual:** 9                           **0.25% Pb:** Yes                      **Spare Parts Only:** No  
**Approved:** 08-Jan-2014              **Renewed:** 08-Jan-2020              **Bypass:** Watts LF007M3QT 3/4" (H),  
Ames LF2000BM3 3/4" (H)  
**Shutoffs:** (yyy)  
**Notes:** Lead free compliant version identified with NSF61 mark on meter

---

**Type:** DCDA                      **Manufacturer:** Ames                      **Model:** LFMaxim 300NBF  
**Size:** 4                              **Orientation:** VUVD                      **Meters:** (O)  
**Manual:** 9                           **0.25% Pb:** Yes                      **Spare Parts Only:** No  
**Approved:** 08-Jan-2014              **Renewed:** 08-Jan-2020              **Bypass:** Watts LF007M3QT 3/4" (H),  
Ames LF2000BM3 3/4" (H)  
**Shutoffs:** (yyy)  
**Notes:** Lead free compliant version identified with NSF61 mark on meter

---

**Type:** DCDA                      **Manufacturer:** Ames                      **Model:** LFMaxim 300NBF  
**Size:** 6                              **Orientation:** VUVD                      **Meters:** (O)  
**Manual:** 9                           **0.25% Pb:** Yes                      **Spare Parts Only:** No  
**Approved:** 08-Jan-2014              **Renewed:** 08-Jan-2020              **Bypass:** Watts LF007M3QT 3/4" (H),  
Ames LF2000BM3 3/4" (H)  
**Shutoffs:** (yyy)  
**Notes:** Lead free compliant version identified with NSF61 mark on meter

---

**Type:** DCDA                      **Manufacturer:** Ames                      **Model:** LFMaxim 300NBF  
**Size:** 8                              **Orientation:** VUVD                      **Meters:** (O)  
**Manual:** 9                           **0.25% Pb:** Yes                      **Spare Parts Only:** No  
**Approved:** 08-Jan-2014              **Renewed:** 08-Jan-2020              **Bypass:** Watts LF007M3QT 3/4" (H),  
Ames LF2000BM3 3/4" (H)  
**Shutoffs:** (yyy)  
**Notes:** Lead free compliant version identified with NSF61 mark on meter

---

**Type:** DCDA                      **Manufacturer:** Ames                      **Model:** LFMaxim 300NBF  
**Size:** 10                              **Orientation:** VUVD                      **Meters:** (O)  
**Manual:** 9                           **0.25% Pb:** Yes                      **Spare Parts Only:** No  
**Approved:** 08-Jan-2014              **Renewed:** 08-Jan-2020              **Bypass:** Watts LF007M3QT 3/4" (H),  
Ames LF2000BM3 3/4" (H)  
**Shutoffs:** (yyy)  
**Notes:** Lead free compliant version identified with NSF61 mark on meter

**Type:** DCDA  
**Size:** 2 1/2  
**Manual:** 9  
**Approved:** 08-Jan-2014  
**Shutoffs:** (zzz)  
**Notes:** Lead free compliant version identified with NSF61 mark on meter

**Manufacturer:** Ames  
**Orientation:** VUVD  
**0.25% Pb:** Yes  
**Renewed:** 08-Jan-2020

**Model:** LFMaxim 300NGV  
**Meters:** (O)  
**Spare Parts Only:** No  
**Bypass:** Watts LF007M3QT 3/4" (H),  
Ames LF2000BM3 3/4" (H)

---

**Type:** DCDA  
**Size:** 3  
**Manual:** 9  
**Approved:** 08-Jan-2014  
**Shutoffs:** (zzz)  
**Notes:** Lead free compliant version identified with NSF61 mark on meter

**Manufacturer:** Ames  
**Orientation:** VUVD  
**0.25% Pb:** Yes  
**Renewed:** 08-Jan-2020

**Model:** LFMaxim 300NGV  
**Meters:** (O)  
**Spare Parts Only:** No  
**Bypass:** Watts LF007M3QT 3/4" (H),  
Ames LF2000BM3 3/4" (H)

---

**Type:** DCDA  
**Size:** 4  
**Manual:** 9  
**Approved:** 08-Jan-2014  
**Shutoffs:** (zzz)  
**Notes:** Lead free compliant version identified with NSF61 mark on meter

**Manufacturer:** Ames  
**Orientation:** VUVD  
**0.25% Pb:** Yes  
**Renewed:** 08-Jan-2020

**Model:** LFMaxim 300NGV  
**Meters:** (O)  
**Spare Parts Only:** No  
**Bypass:** Watts LF007M3QT 3/4" (H),  
Ames LF2000BM3 3/4" (H)

---

**Type:** DCDA  
**Size:** 6  
**Manual:** 9  
**Approved:** 08-Jan-2014  
**Shutoffs:** (zzz)  
**Notes:** Lead free compliant version identified with NSF61 mark on meter

**Manufacturer:** Ames  
**Orientation:** VUVD  
**0.25% Pb:** Yes  
**Renewed:** 08-Jan-2020

**Model:** LFMaxim 300NGV  
**Meters:** (O)  
**Spare Parts Only:** No  
**Bypass:** Watts LF007M3QT 3/4" (H),  
Ames LF2000BM3 3/4" (H)

---

**Type:** DCDA  
**Size:** 8  
**Manual:** 9  
**Approved:** 08-Jan-2014  
**Shutoffs:** (zzz)  
**Notes:** Lead free compliant version identified with NSF61 mark on meter

**Manufacturer:** Ames  
**Orientation:** VUVD  
**0.25% Pb:** Yes  
**Renewed:** 08-Jan-2020

**Model:** LFMaxim 300NGV  
**Meters:** (O)  
**Spare Parts Only:** No  
**Bypass:** Watts LF007M3QT 3/4" (H),  
Ames LF2000BM3 3/4" (H)

**Type:** DCDA                      **Manufacturer:** Ames                      **Model:** LFMaxim 300NGV  
**Size:** 10                              **Orientation:** VUVD                      **Meters:** (O)  
**Manual:** 9                              **0.25% Pb:** Yes                      **Spare Parts Only:** No  
**Approved:** 08-Jan-2014              **Renewed:** 08-Jan-2020              **Bypass:** Watts LF007M3QT 3/4" (H),  
Ames LF2000BM3 3/4" (H)  
**Shutoffs:** (zzz)  
**Notes:** Lead free compliant version identified with NSF61 mark on meter

---

**Type:** DCDA                      **Manufacturer:** Ames                      **Model:** Maxim 300aBF  
**Size:** 2 1/2                              **Orientation:** H                      **Meters:** (N),G,H,I,J,K,L,M,O,P,Q,T  
**Manual:** 9                              **0.25% Pb:** No                      **Spare Parts Only:** Yes  
**Approved:** 06-Nov-2003              **Renewed:** 06-Nov-2021              **Bypass:** Ames 2000BM3 3/4" (H)  
**Shutoffs:** (yyy)

---

**Type:** DCDA                      **Manufacturer:** Ames                      **Model:** Maxim 300aBF  
**Size:** 2 1/2                              **Orientation:** VU                      **Meters:** (N),G,H,I,J,K,L,M,O,P,Q,T  
**Manual:** 9                              **0.25% Pb:** No                      **Spare Parts Only:** Yes  
**Approved:** 06-Nov-2003              **Renewed:** 06-Nov-2021              **Bypass:** Ames 2000BM3 3/4" (VU)  
**Shutoffs:** (yyy)

---

**Type:** DCDA                      **Manufacturer:** Ames                      **Model:** Maxim 300aBF  
**Size:** 3                                      **Orientation:** H                      **Meters:** (N),G,H,I,J,K,L,M,O,P,Q,T  
**Manual:** 9                              **0.25% Pb:** No                      **Spare Parts Only:** Yes  
**Approved:** 06-Oct-2003              **Renewed:** 06-Oct-2021              **Bypass:** Ames 2000BM3 3/4" (H)  
**Shutoffs:** (yyy)

---

**Type:** DCDA                      **Manufacturer:** Ames                      **Model:** Maxim 300aBF  
**Size:** 3                                      **Orientation:** VU                      **Meters:** (N),G,H,I,J,K,L,M,O,P,Q,T  
**Manual:** 9                              **0.25% Pb:** No                      **Spare Parts Only:** Yes  
**Approved:** 06-Oct-2003              **Renewed:** 06-Oct-2021              **Bypass:** Ames 2000BM3 3/4" (VU)  
**Shutoffs:** (yyy)

---

**Type:** DCDA                      **Manufacturer:** Ames                      **Model:** Maxim 300aBF  
**Size:** 4                                      **Orientation:** H                      **Meters:** (N),G,H,I,J,K,L,M,O,P,Q,T  
**Manual:** 9                              **0.25% Pb:** No                      **Spare Parts Only:** Yes  
**Approved:** 03-Nov-2004              **Renewed:** 03-Nov-2019              **Bypass:** Ames 2000BM3 3/4" (H)  
**Shutoffs:** (yyy)

**Type:** DCDA                      **Manufacturer:** Ames                      **Model:** Maxim 300aBF  
**Size:** 4                              **Orientation:** VU                              **Meters:** (N),G,H,I,J,K,L,M,O,P,Q,T  
**Manual:** 9                              **0.25% Pb:** No                              **Spare Parts Only:** Yes  
**Approved:** 18-Jan-2005                      **Renewed:** 18-Jan-2020                      **Bypass:** Ames 2000BM3 3/4" (VU)  
**Shutoffs:** (yyy)

---

**Type:** DCDA                      **Manufacturer:** Ames                      **Model:** Maxim 300aGV  
**Size:** 2 1/2                              **Orientation:** H                              **Meters:** (N),G,H,I,J,K,L,M,O,P,Q,T  
**Manual:** 9                              **0.25% Pb:** No                              **Spare Parts Only:** Yes  
**Approved:** 06-Oct-2003                      **Renewed:** 06-Oct-2021                      **Bypass:** Ames 2000BM3 3/4" (H)  
**Shutoffs:** (zzz)

---

**Type:** DCDA                      **Manufacturer:** Ames                      **Model:** Maxim 300aGV  
**Size:** 2 1/2                              **Orientation:** VU                              **Meters:** (N),G,H,I,J,K,L,M,O,P,Q,T  
**Manual:** 9                              **0.25% Pb:** No                              **Spare Parts Only:** Yes  
**Approved:** 06-Oct-2003                      **Renewed:** 06-Oct-2021                      **Bypass:** Ames 2000BM3 3/4" (VU)  
**Shutoffs:** (zzz)

---

**Type:** DCDA                      **Manufacturer:** Ames                      **Model:** Maxim 300aGV  
**Size:** 3                                      **Orientation:** H                              **Meters:** (N),G,H,I,J,K,L,M,O,P,Q,T  
**Manual:** 9                              **0.25% Pb:** No                              **Spare Parts Only:** Yes  
**Approved:** 06-Oct-2003                      **Renewed:** 06-Oct-2021                      **Bypass:** Ames 2000BM3 3/4" (H)  
**Shutoffs:** (zzz)

---

**Type:** DCDA                      **Manufacturer:** Ames                      **Model:** Maxim 300aGV  
**Size:** 3                                      **Orientation:** VU                              **Meters:** (N),G,H,I,J,K,L,M,O,P,Q,T  
**Manual:** 9                              **0.25% Pb:** No                              **Spare Parts Only:** Yes  
**Approved:** 06-Oct-2003                      **Renewed:** 06-Oct-2021                      **Bypass:** Ames 2000BM3 3/4" (VU)  
**Shutoffs:** (zzz)

---

**Type:** DCDA                      **Manufacturer:** Ames                      **Model:** Maxim 300aGV  
**Size:** 4                                      **Orientation:** H                              **Meters:** (N),G,H,I,J,K,L,M,O,P,Q,T  
**Manual:** 9                              **0.25% Pb:** No                              **Spare Parts Only:** Yes  
**Approved:** 03-Nov-2004                      **Renewed:** 03-Nov-2019                      **Bypass:** Ames 2000BM3 3/4" (H)  
**Shutoffs:** (zzz)

---

**Type:** DCDA                      **Manufacturer:** Ames                      **Model:** Maxim 300aGV  
**Size:** 4                                      **Orientation:** VU                              **Meters:** (N),G,H,I,J,K,L,M,O,P,Q,T  
**Manual:** 9                              **0.25% Pb:** No                              **Spare Parts Only:** Yes  
**Approved:** 18-Jan-2005                      **Renewed:** 18-Jan-2020                      **Bypass:** Ames 2000BM3 3/4" (VU)  
**Shutoffs:** (zzz)

**Type:** DCDA                                    **Manufacturer:** Ames                                    **Model:** Maxim 300BF  
**Size:** 2 1/2                                    **Orientation:** H                                    **Meters:** (N),G,H,I,J,K,L,M,O,P,Q,T  
**Manual:** 9                                    **0.25% Pb:** No                                    **Spare Parts Only:** No  
**Approved:** 04-Oct-2005                                    **Renewed:** 04-Oct-2020                                    **Bypass:** Ames 2000BM3 3/4" (H)  
**Shutoffs:** (yyy)

---

**Type:** DCDA                                    **Manufacturer:** Ames                                    **Model:** Maxim 300BF  
**Size:** 2 1/2                                    **Orientation:** VU                                    **Meters:** (N),G,H,I,J,K,L,M,O,P,Q,T  
**Manual:** 9                                    **0.25% Pb:** No                                    **Spare Parts Only:** No  
**Approved:** 04-Oct-2005                                    **Renewed:** 04-Oct-2020                                    **Bypass:** Ames 2000BM3 3/4" (VU)  
**Shutoffs:** (yyy)

---

**Type:** DCDA                                    **Manufacturer:** Ames                                    **Model:** Maxim 300BF  
**Size:** 3                                    **Orientation:** H                                    **Meters:** (N),G,H,I,J,K,L,M,O,P,Q,T  
**Manual:** 9                                    **0.25% Pb:** No                                    **Spare Parts Only:** No  
**Approved:** 04-Oct-2005                                    **Renewed:** 04-Oct-2020                                    **Bypass:** Ames 2000BM3 3/4" (H)  
**Shutoffs:** (yyy)

---

**Type:** DCDA                                    **Manufacturer:** Ames                                    **Model:** Maxim 300BF  
**Size:** 3                                    **Orientation:** VU                                    **Meters:** (N),G,H,I,J,K,L,M,O,P,Q,T  
**Manual:** 9                                    **0.25% Pb:** No                                    **Spare Parts Only:** No  
**Approved:** 04-Oct-2005                                    **Renewed:** 04-Oct-2020                                    **Bypass:** Ames 2000BM3 3/4" (VU)  
**Shutoffs:** (yyy)

---

**Type:** DCDA                                    **Manufacturer:** Ames                                    **Model:** Maxim 300BF  
**Size:** 4                                    **Orientation:** H                                    **Meters:** (N),G,H,I,J,K,L,M,O,P,Q,T  
**Manual:** 9                                    **0.25% Pb:** No                                    **Spare Parts Only:** No  
**Approved:** 02-Mar-2007                                    **Renewed:** 02-Mar-2022                                    **Bypass:** Ames 2000BM3 3/4"(H)  
**Shutoffs:** (yyy)

---

**Type:** DCDA                                    **Manufacturer:** Ames                                    **Model:** Maxim 300BF  
**Size:** 4                                    **Orientation:** Vu                                    **Meters:** (N),G,H,I,J,K,L,M,O,P,Q,T  
**Manual:** 9                                    **0.25% Pb:** No                                    **Spare Parts Only:** No  
**Approved:** 02-Mar-2007                                    **Renewed:** 02-Mar-2022                                    **Bypass:** Ames 2000BM3 3/4"(V)  
**Shutoffs:** (yyy)

---

**Type:** DCDA                                    **Manufacturer:** Ames                                    **Model:** Maxim 300BF  
**Size:** 6                                    **Orientation:** H                                    **Meters:** (N),G,H,I,J,K,L,M,O,P,Q,T  
**Manual:** 9                                    **0.25% Pb:** No                                    **Spare Parts Only:** No  
**Approved:** 09-Mar-2007                                    **Renewed:** 09-Mar-2022                                    **Bypass:** Ames 2000BM3 3/4" (H & VU)  
**Shutoffs:** (yyy)

**Type:** DCDA  
**Size:** 6  
**Manual:** 9  
**Approved:** 09-Mar-2007  
**Shutoffs:** (yyy)

**Manufacturer:** Ames  
**Orientation:** VU  
**0.25% Pb:** No  
**Renewed:** 09-Mar-2022

**Model:** Maxim 300BF  
**Meters:** (N),G,H,I,J,K,L,M,O,P,Q,T  
**Spare Parts Only:** No  
**Bypass:** Ames 2000BM3 3/4" (H & VU)

---

**Type:** DCDA  
**Size:** 8  
**Manual:** 9  
**Approved:** 17-Sep-2009  
**Shutoffs:** (yyy)

**Manufacturer:** Ames  
**Orientation:** H  
**0.25% Pb:** No  
**Renewed:** 17-Sep-2021

**Model:** Maxim 300BF  
**Meters:** (N),G,H,I,J,K,L,M,O,P,Q,T  
**Spare Parts Only:** No  
**Bypass:** Watts 007M3QT 3/4" (H),  
Ames 2000 BM3 (H)

---

**Type:** DCDA  
**Size:** 8  
**Manual:** 9  
**Approved:** 17-Sep-2009  
**Shutoffs:** (yyy)

**Manufacturer:** Ames  
**Orientation:** VU  
**0.25% Pb:** No  
**Renewed:** 17-Sep-2021

**Model:** Maxim 300BF  
**Meters:** (N),G,H,I,J,K,L,M,O,P,Q,T  
**Spare Parts Only:** No  
**Bypass:** Watts 007M3QT 3/4" (V),  
Ames 2000 BM3 (V)

---

**Type:** DCDA  
**Size:** 10  
**Manual:** 9  
**Approved:** 17-Sep-2009  
**Shutoffs:** (yyy)

**Manufacturer:** Ames  
**Orientation:** H  
**0.25% Pb:** No  
**Renewed:** 17-Sep-2021

**Model:** Maxim 300BF  
**Meters:** (N),G,H,I,J,K,L,M,O,P,Q,T  
**Spare Parts Only:** No  
**Bypass:** Watts 007M3QT 3/4" (H),  
Ames 2000 BM3 (H)

---

**Type:** DCDA  
**Size:** 10  
**Manual:** 9  
**Approved:** 17-Sep-2009  
**Shutoffs:** (yyy)

**Manufacturer:** Ames  
**Orientation:** VU  
**0.25% Pb:** No  
**Renewed:** 17-Sep-2021

**Model:** Maxim 300BF  
**Meters:** (N),G,H,I,J,K,L,M,O,P,Q,T  
**Spare Parts Only:** No  
**Bypass:** Watts 007M3QT 3/4" (V),  
Ames 2000 BM3 (V)

---

**Type:** DCDA  
**Size:** 2 1/2  
**Manual:** 9  
**Approved:** 04-Oct-2005  
**Shutoffs:** (zzz)

**Manufacturer:** Ames  
**Orientation:** H  
**0.25% Pb:** No  
**Renewed:** 04-Oct-2020

**Model:** Maxim 300GV  
**Meters:** (N),G,H,I,J,K,L,M,O,P,Q,T  
**Spare Parts Only:** No  
**Bypass:** Ames 2000BM3 3/4" (H)

**Type:** DCDA                      **Manufacturer:** Ames                      **Model:** Maxim 300GV  
**Size:** 2 1/2                      **Orientation:** VU                      **Meters:** (N),G,H,I,J,K,L,M,O,P,Q,T  
**Manual:** 9                      **0.25% Pb:** No                      **Spare Parts Only:** No  
**Approved:** 04-Oct-2005                      **Renewed:** 04-Oct-2020                      **Bypass:** Ames 2000BM3 3/4" (VU)  
**Shutoffs:** (zzz)

---

**Type:** DCDA                      **Manufacturer:** Ames                      **Model:** Maxim 300GV  
**Size:** 3                      **Orientation:** H                      **Meters:** (N),G,H,I,J,K,L,M,O,P,Q,T  
**Manual:** 9                      **0.25% Pb:** No                      **Spare Parts Only:** No  
**Approved:** 04-Oct-2005                      **Renewed:** 04-Oct-2020                      **Bypass:** Ames 2000BM3 3/4" (H)  
**Shutoffs:** (zzz)

---

**Type:** DCDA                      **Manufacturer:** Ames                      **Model:** Maxim 300GV  
**Size:** 3                      **Orientation:** VU                      **Meters:** (N),G,H,I,J,K,L,M,O,P,Q,T  
**Manual:** 9                      **0.25% Pb:** No                      **Spare Parts Only:** No  
**Approved:** 04-Oct-2005                      **Renewed:** 04-Oct-2020                      **Bypass:** Ames 2000BM3 3/4" (VU)  
**Shutoffs:** (zzz)

---

**Type:** DCDA                      **Manufacturer:** Ames                      **Model:** Maxim 300GV  
**Size:** 4                      **Orientation:** H                      **Meters:** (N),G,H,I,J,K,L,M,O,P,Q,T  
**Manual:** 9                      **0.25% Pb:** No                      **Spare Parts Only:** No  
**Approved:** 02-Mar-2007                      **Renewed:** 02-Mar-2022                      **Bypass:** Ames 2000BM3 3/4"(H)  
**Shutoffs:** (zzz)

---

**Type:** DCDA                      **Manufacturer:** Ames                      **Model:** Maxim 300GV  
**Size:** 4                      **Orientation:** VU                      **Meters:** (N),G,H,I,J,K,L,M,O,P,Q,T  
**Manual:** 9                      **0.25% Pb:** No                      **Spare Parts Only:** No  
**Approved:** 02-Mar-2007                      **Renewed:** 02-Mar-2022                      **Bypass:** Ames 2000BM3 3/4"(V)  
**Shutoffs:** (zzz)

---

**Type:** DCDA                      **Manufacturer:** Ames                      **Model:** Maxim 300GV  
**Size:** 6                      **Orientation:** H                      **Meters:** (N),G,H,I,J,K,L,M,O,P,Q,T  
**Manual:** 9                      **0.25% Pb:** No                      **Spare Parts Only:** No  
**Approved:** 09-Mar-2007                      **Renewed:** 09-Mar-2022                      **Bypass:** Ames 2000BM3 3/4" (H & VU)  
**Shutoffs:** (zzz)

---

**Type:** DCDA                      **Manufacturer:** Ames                      **Model:** Maxim 300GV  
**Size:** 6                      **Orientation:** VU                      **Meters:** (N),G,H,I,J,K,L,M,O,P,Q,T  
**Manual:** 9                      **0.25% Pb:** No                      **Spare Parts Only:** No  
**Approved:** 09-Mar-2007                      **Renewed:** 09-Mar-2022                      **Bypass:** Ames 2000BM3 3/4" (H & VU)  
**Shutoffs:** (zzz)



**Type:** DCDA  
**Size:** 8  
**Manual:** 9  
**Approved:** 17-Sep-2009  
**Shutoffs:** (zzz)

**Manufacturer:** Ames  
**Orientation:** H  
**0.25% Pb:** No  
**Renewed:** 17-Sep-2021

**Model:** Maxim 300GV  
**Meters:** (N),G,H,I,J,K,L,M,O,P,Q,T  
**Spare Parts Only:** No  
**Bypass:** Watts 007M3QT 3/4" (H),  
Ames 2000 BM3 (H)

---

**Type:** DCDA  
**Size:** 8  
**Manual:** 9  
**Approved:** 17-Sep-2009  
**Shutoffs:** (zzz)

**Manufacturer:** Ames  
**Orientation:** VU  
**0.25% Pb:** No  
**Renewed:** 17-Sep-2021

**Model:** Maxim 300GV  
**Meters:** (N),G,H,I,J,K,L,M,O,P,Q,T  
**Spare Parts Only:** No  
**Bypass:** Watts 007M3QT 3/4" (V),  
Ames 2000 BM3 (V)

---

**Type:** DCDA  
**Size:** 10  
**Manual:** 9  
**Approved:** 17-Sep-2009  
**Shutoffs:** (zzz)

**Manufacturer:** Ames  
**Orientation:** H  
**0.25% Pb:** No  
**Renewed:** 17-Sep-2021

**Model:** Maxim 300GV  
**Meters:** (N),G,H,I,J,K,L,M,O,P,Q,T  
**Spare Parts Only:** No  
**Bypass:** Watts 007M3QT 3/4" (H),  
Ames 2000 BM3 (H)

---

**Type:** DCDA  
**Size:** 10  
**Manual:** 9  
**Approved:** 17-Sep-2009  
**Shutoffs:** (zzz)

**Manufacturer:** Ames  
**Orientation:** VU  
**0.25% Pb:** No  
**Renewed:** 17-Sep-2021

**Model:** Maxim 300GV  
**Meters:** (N),G,H,I,J,K,L,M,O,P,Q,T  
**Spare Parts Only:** No  
**Bypass:** Watts 007M3QT 3/4" (V),  
Ames 2000 BM3 (V)

---

**Type:** DCDA  
**Size:** 2 1/2  
**Manual:** 9  
**Approved:** 07-Apr-2009  
**Shutoffs:** (yyy)

**Manufacturer:** Ames  
**Orientation:** VUVD  
**0.25% Pb:** No  
**Renewed:** 07-Apr-2021

**Model:** Maxim 300NBF  
**Meters:** (N),G,H,I,J,K,L,M,O,P,Q,T  
**Spare Parts Only:** No  
**Bypass:** Ames 2000BM3 3/4" (H)

---

**Type:** DCDA  
**Size:** 3  
**Manual:** 9  
**Approved:** 07-Apr-2009  
**Shutoffs:** (yyy)

**Manufacturer:** Ames  
**Orientation:** VUVD  
**0.25% Pb:** No  
**Renewed:** 07-Apr-2021

**Model:** Maxim 300NBF  
**Meters:** (N),G,H,I,J,K,L,M,O,P,Q,T  
**Spare Parts Only:** No  
**Bypass:** Ames 2000BM3 3/4" (H)

**Type:** DCDA                                      **Manufacturer:** Ames                                      **Model:** Maxim 300NBF  
**Size:** 4    **Orientation:** VUVD                                      **Meters:** (N),G,H,I,J,K,L,M,O,P,Q,T  
**Manual:** 9    **0.25% Pb:** No    **Spare Parts Only:** No  
**Approved:** 07-Apr-2009                                      **Renewed:** 07-Apr-2021                                      **Bypass:** Ames 2000BM3 3/4" (H)  
**Shutoffs:** (yyy)

---

**Type:** DCDA                                      **Manufacturer:** Ames                                      **Model:** Maxim 300NBF  
**Size:** 6    **Orientation:** VUVD                                      **Meters:** (N),G,H,I,J,K,L,M,O,P,Q,T  
**Manual:** 9    **0.25% Pb:** No    **Spare Parts Only:** No  
**Approved:** 03-Jan-2013                                      **Renewed:** 03-Jan-2022                                      **Bypass:** Ames 2000BM3 3/4" (H)  
**Shutoffs:** (yyy)

---

**Type:** DCDA                                      **Manufacturer:** Ames                                      **Model:** Maxim 300NBF  
**Size:** 8    **Orientation:** VUVD                                      **Meters:** (N), H,I,J,K,L,M,N,O,P,Q  
**Manual:** 9    **0.25% Pb:** No    **Spare Parts Only:** No  
**Approved:** 28-May-2013                                      **Renewed:** 28-May-2022                                      **Bypass:** Ames 2000BM3 3/4" (H),  
Watts 007M3QT 3/4" (H)  
**Shutoffs:** (yyy)

---

**Type:** DCDA                                      **Manufacturer:** Ames                                      **Model:** Maxim 300NBF  
**Size:** 10    **Orientation:** VUVD                                      **Meters:** (N), H,I,J,K,L,M,N,O,P,Q  
**Manual:** 9    **0.25% Pb:** No    **Spare Parts Only:** No  
**Approved:** 28-May-2013                                      **Renewed:** 28-May-2022                                      **Bypass:** Ames 2000BM3 3/4" (H),  
Watts 007M3QT 3/4" (H)  
**Shutoffs:** (yyy)

---

**Type:** DCDA                                      **Manufacturer:** Ames                                      **Model:** Maxim 300NGV  
**Size:** 2 1/2    **Orientation:** VUVD                                      **Meters:** (N),G,H,I,J,K,L,M,N,O,P,Q,T  
**Manual:** 9    **0.25% Pb:** No    **Spare Parts Only:** No  
**Approved:** 07-Apr-2009                                      **Renewed:** 07-Apr-2021                                      **Bypass:** Ames 2000BM3 3/4" (H)  
**Shutoffs:** (zzz)

---

**Type:** DCDA                                      **Manufacturer:** Ames                                      **Model:** Maxim 300NGV  
**Size:** 3    **Orientation:** VUVD                                      **Meters:** (N),G,H,I,J,K,L,M,N,O,P,Q,T  
**Manual:** 9    **0.25% Pb:** No    **Spare Parts Only:** No  
**Approved:** 07-Apr-2009                                      **Renewed:** 07-Apr-2021                                      **Bypass:** Ames 2000BM3 3/4" (H)  
**Shutoffs:** (zzz)

<b>Type:</b> DCDA	<b>Manufacturer:</b> Ames	<b>Model:</b> Maxim 300NGV
<b>Size:</b> 4	<b>Orientation:</b> VUVD	<b>Meters:</b> (N),G,H,I,J,K,L,M,N,O,P,Q,T
<b>Manual:</b> 9	<b>0.25% Pb:</b> No	<b>Spare Parts Only:</b> No
<b>Approved:</b> 07-Apr-2009	<b>Renewed:</b> 07-Apr-2021	<b>Bypass:</b> Ames 2000BM3 3/4" (H)
<b>Shutoffs:</b> (zzz)		

---

<b>Type:</b> DCDA	<b>Manufacturer:</b> Ames	<b>Model:</b> Maxim 300NGV
<b>Size:</b> 6	<b>Orientation:</b> VUVD	<b>Meters:</b> (N),G,H,I,J,K,L,M,N,O,P,Q,T
<b>Manual:</b> 9	<b>0.25% Pb:</b> No	<b>Spare Parts Only:</b> No
<b>Approved:</b> 03-Jan-2013	<b>Renewed:</b> 03-Jan-2022	<b>Bypass:</b> Ames 2000BM3 3/4" (H)
<b>Shutoffs:</b> (zzz)		

---

<b>Type:</b> DCDA	<b>Manufacturer:</b> Ames	<b>Model:</b> Maxim 300NGV
<b>Size:</b> 8	<b>Orientation:</b> VUVD	<b>Meters:</b> (N), H,I,J,K,L,M,N,O,P,Q
<b>Manual:</b> 9	<b>0.25% Pb:</b> No	<b>Spare Parts Only:</b> No
<b>Approved:</b> 28-May-2013	<b>Renewed:</b> 28-May-2022	<b>Bypass:</b> Ames 2000BM3 3/4" (H), Watts 007M3QT 3/4" (H)
<b>Shutoffs:</b> (zzz)		

---

<b>Type:</b> DCDA	<b>Manufacturer:</b> Ames	<b>Model:</b> Maxim 300NGV
<b>Size:</b> 10	<b>Orientation:</b> VUVD	<b>Meters:</b> (N), H,I,J,K,L,M,N,O,P,Q
<b>Manual:</b> 9	<b>0.25% Pb:</b> No	<b>Spare Parts Only:</b> No
<b>Approved:</b> 28-May-2013	<b>Renewed:</b> 28-May-2022	<b>Bypass:</b> Ames 2000BM3 3/4" (H), Watts 007M3QT 3/4" (H)
<b>Shutoffs:</b> (zzz)		

---

<b>Type:</b> DCDA	<b>Manufacturer:</b> Apollo/Conbraco	<b>Model:</b> 10DCDA
<b>Size:</b> 10	<b>Orientation:</b>	<b>Meters:</b>
<b>Manual:</b>	<b>0.25% Pb:</b> No	<b>Spare Parts Only:</b> No
<b>Approved:</b>	<b>Renewed:</b>	<b>Bypass:</b>
<b>Notes:</b> model designation changed to DCDA4S		

---

<b>Type:</b> DCDA	<b>Manufacturer:</b> Apollo/Conbraco	<b>Model:</b> 10DCDA
<b>Size:</b> 10	<b>Orientation:</b>	<b>Meters:</b>
<b>Manual:</b>	<b>0.25% Pb:</b> No	<b>Spare Parts Only:</b> No
<b>Approved:</b>	<b>Renewed:</b>	<b>Bypass:</b>
<b>Notes:</b> model designation changed to DCDA4S		

**Type:** DCDA                                   **Manufacturer:** Apollo/Conbraco                                   **Model:** 2 1/2DCDA  
**Size:** 2 1/2                                   **Orientation:** H                                   **Meters:** (M),E,F,G,H,I,J,K,L,N,O,P,Q,T  
**Manual:** 9                                   **0.25% Pb:** No                                   **Spare Parts Only:** Yes  
**Approved:** 16-Oct-2000                                   **Renewed:** 16-Oct-2021                                   **Bypass:** Apollo/Conbraco 1/2DC 1/2"  
(H), Apollo/Conbraco W432100 1/2" (H)  
**Shutoffs:** (ll),mm

---

**Type:** DCDA                                   **Manufacturer:** Apollo/Conbraco                                   **Model:** 2 1/2DCDA  
**Size:** 2 1/2                                   **Orientation:** VU                                   **Meters:** (M),E,F,G,H,I,J,K,L,N,O,P,Q,T  
**Manual:** 9                                   **0.25% Pb:** No                                   **Spare Parts Only:** Yes  
**Approved:** 16-Oct-2000                                   **Renewed:** 16-Oct-2021                                   **Bypass:** Apollo/Conbraco 1/2DC 1/2"  
(VU), Apollo/Conbraco W432100 1/2"  
(VU)  
**Shutoffs:** (ll),mm

---

**Type:** DCDA                                   **Manufacturer:** Apollo/Conbraco                                   **Model:** 2 1/2DCDA6  
**Size:** 2 1/2                                   **Orientation:** H                                   **Meters:** (M),E,F,G,H,I,J,K,L,N,O,P,Q,T  
**Manual:** 9                                   **0.25% Pb:** No                                   **Spare Parts Only:** Yes  
**Approved:** 10-Apr-2001                                   **Renewed:** 10-Apr-2022                                   **Bypass:** Apollo/Conbraco 1/2DC 1/2"  
(H), Apollo/Conbraco W432100 1/2" (H)  
**Shutoffs:** (mm)[#1SOV],(nnn)[#2SOV]

---

**Type:** DCDA                                   **Manufacturer:** Apollo/Conbraco                                   **Model:** 2 1/2DCDA6  
**Size:** 2 1/2                                   **Orientation:** VU                                   **Meters:** (M),E,F,G,H,I,J,K,L,N,O,P,Q,T  
**Manual:** 9                                   **0.25% Pb:** No                                   **Spare Parts Only:** Yes  
**Approved:** 10-Apr-2001                                   **Renewed:** 10-Apr-2022                                   **Bypass:** Apollo/Conbraco 1/2DC 1/2"  
(VU), Apollo/Conbraco W432100 1/2"  
(VU)  
**Shutoffs:** (mm)[#1SOV],(nnn)[#2SOV]

---

**Type:** DCDA                                   **Manufacturer:** Apollo/Conbraco                                   **Model:** 2 1/2DCDA7  
**Size:** 2 1/2                                   **Orientation:** H                                   **Meters:** (M),E,F,G,H,I,J,K,L,N,O,P,Q,T  
**Manual:** 9                                   **0.25% Pb:** No                                   **Spare Parts Only:** Yes  
**Approved:** 29-Sep-2004                                   **Renewed:** 29-Sep-2019                                   **Bypass:** Apollo/Conbraco 1/2DC 1/2"  
(H), Apollo/Conbraco W432100 1/2" (H)  
**Shutoffs:** (mm)[#1SOV], (qqq)[#2SOV]

**Type:** DCDA  
**Size:** 2 1/2  
**Manual:** 9  
**Approved:** 29-Sep-2004  
**Shutoffs:** (mm)[#1SOV], (qqq)[#2SOV]

**Manufacturer:** Apollo/Conbraco  
**Orientation:** VU  
**0.25% Pb:** No  
**Renewed:** 29-Sep-2019

**Model:** 2 1/2DCDA7  
**Meters:** (M),E,F,G,H,I,J,K,L,N,O,P,Q,T  
**Spare Parts Only:** Yes  
**Bypass:** Apollo/Conbraco 1/2DC 1/2" (VU), Apollo/Conbraco W432100 1/2" (VU)

---

**Type:** DCDA  
**Size:** 2 1/2  
**Manual:** 9  
**Approved:** 29-Sep-2004  
**Shutoffs:** (ppp),qqq

**Manufacturer:** Apollo/Conbraco  
**Orientation:** H  
**0.25% Pb:** No  
**Renewed:** 29-Sep-2019

**Model:** 2 1/2DCDA8  
**Meters:** (M),E,F,G,H,I,J,K,L,N,O,P,Q,T  
**Spare Parts Only:** Yes  
**Bypass:** Apollo/Conbraco 1/2DC 1/2" (H), Apollo/Conbraco W432100 1/2" (H)

---

**Type:** DCDA  
**Size:** 2 1/2  
**Manual:** 9  
**Approved:** 29-Sep-2004  
**Shutoffs:** (ppp),qqq

**Manufacturer:** Apollo/Conbraco  
**Orientation:** VU  
**0.25% Pb:** No  
**Renewed:** 29-Sep-2019

**Model:** 2 1/2DCDA8  
**Meters:** (M),E,F,G,H,I,J,K,L,N,O,P,Q,T  
**Spare Parts Only:** Yes  
**Bypass:** Apollo/Conbraco 1/2DC 1/2" (VU), Apollo/Conbraco W432100 1/2" (VU)

---

**Type:** DCDA  
**Size:** 2 1/2  
**Manual:** 9  
**Approved:** 10-Apr-2001  
**Shutoffs:** (ll),mm

**Manufacturer:** Apollo/Conbraco  
**Orientation:** VUVD  
**0.25% Pb:** No  
**Renewed:** 10-Apr-2022

**Model:** 2 1/2DCDAU  
**Meters:** (M),E,F,G,H,I,J,K,L,N,O,P,Q,T  
**Spare Parts Only:** Yes  
**Bypass:** Apollo/Conbraco 1/2DC 1/2" (H), Apollo/Conbraco W432100 1/2" (H)

---

**Type:** DCDA  
**Size:** 3  
**Manual:** 9  
**Approved:** 16-Oct-2000  
**Shutoffs:** (ll),mm

**Manufacturer:** Apollo/Conbraco  
**Orientation:** H  
**0.25% Pb:** No  
**Renewed:** 16-Oct-2021

**Model:** 3DCDA  
**Meters:** (M),E,F,G,H,I,J,K,L,N,O,P,Q,T  
**Spare Parts Only:** Yes  
**Bypass:** Apollo/Conbraco 1/2DC 1/2" (H), Apollo/Conbraco W432100 1/2" (H)

<b>Type:</b> DCDA	<b>Manufacturer:</b> Apollo/Conbraco	<b>Model:</b> 3DCDA
<b>Size:</b> 3	<b>Orientation:</b> VU	<b>Meters:</b> (M),E,F,G,H,I,J,K,L,N,O,P,Q,T
<b>Manual:</b> 9	<b>0.25% Pb:</b> No	<b>Spare Parts Only:</b> Yes
<b>Approved:</b> 16-Oct-2000	<b>Renewed:</b> 16-Oct-2021	<b>Bypass:</b> Apollo/Conbraco 1/2DC 1/2" (VU), Apollo/Conbraco W432100 1/2" (VU)
<b>Shutoffs:</b> (ll),mm		

---

<b>Type:</b> DCDA	<b>Manufacturer:</b> Apollo/Conbraco	<b>Model:</b> 3DCDA6
<b>Size:</b> 3	<b>Orientation:</b> H	<b>Meters:</b> (M),E,F,G,H,I,J,K,L,N,O,P,Q,T
<b>Manual:</b> 9	<b>0.25% Pb:</b> No	<b>Spare Parts Only:</b> Yes
<b>Approved:</b> 10-Apr-2001	<b>Renewed:</b> 10-Apr-2022	<b>Bypass:</b> Apollo/Conbraco 1/2DC 1/2" (H), Apollo/Conbraco W432100 1/2" (H)
<b>Shutoffs:</b> (mm)[#1SOV],[nnn][#2SOV]		

---

<b>Type:</b> DCDA	<b>Manufacturer:</b> Apollo/Conbraco	<b>Model:</b> 3DCDA6
<b>Size:</b> 3	<b>Orientation:</b> VU	<b>Meters:</b> (M),E,F,G,H,I,J,K,L,N,O,P,Q,T
<b>Manual:</b> 9	<b>0.25% Pb:</b> No	<b>Spare Parts Only:</b> Yes
<b>Approved:</b> 10-Apr-2001	<b>Renewed:</b> 10-Apr-2022	<b>Bypass:</b> Apollo/Conbraco 1/2DC 1/2" (VU), Apollo/Conbraco W432100 1/2" (VU)
<b>Shutoffs:</b> (mm)[#1SOV],[nnn][#2SOV]		

---

<b>Type:</b> DCDA	<b>Manufacturer:</b> Apollo/Conbraco	<b>Model:</b> 3DCDA7
<b>Size:</b> 3	<b>Orientation:</b> H	<b>Meters:</b> (M),E,F,G,H,I,J,K,L,N,O,P,Q,T
<b>Manual:</b> 9	<b>0.25% Pb:</b> No	<b>Spare Parts Only:</b> Yes
<b>Approved:</b> 29-Sep-2004	<b>Renewed:</b> 29-Sep-2019	<b>Bypass:</b> Apollo/Conbraco 1/2DC 1/2" (H), Apollo/Conbraco W432100 1/2" (H)
<b>Shutoffs:</b> (mm)[#1SOV], (qqq)[#2SOV]		

---

<b>Type:</b> DCDA	<b>Manufacturer:</b> Apollo/Conbraco	<b>Model:</b> 3DCDA7
<b>Size:</b> 3	<b>Orientation:</b> VU	<b>Meters:</b> (M),E,F,G,H,I,J,K,L,N,O,P,Q,T
<b>Manual:</b> 9	<b>0.25% Pb:</b> No	<b>Spare Parts Only:</b> Yes
<b>Approved:</b> 29-Sep-2004	<b>Renewed:</b> 29-Sep-2019	<b>Bypass:</b> Apollo/Conbraco 1/2DC 1/2" (VU), Apollo/Conbraco W432100 1/2" (VU)
<b>Shutoffs:</b> (mm)[#1SOV], (qqq)[#2SOV]		

**Type:** DCDA                                    **Manufacturer:** Apollo/Conbraco                                    **Model:** 3DCDA8  
**Size:** 3    **Orientation:** H    **Meters:** (M),E,F,G,H,I,J,K,L,N,O,P,Q,T  
**Manual:** 9                                        **0.25% Pb:** No    **Spare Parts Only:** Yes  
**Approved:** 29-Sep-2004                                    **Renewed:** 29-Sep-2019                                    **Bypass:** Apollo/Conbraco 1/2DC 1/2"  
(H), Apollo/Conbraco W432100 1/2" (H)  
**Shutoffs:** (ppp),qqq

---

**Type:** DCDA                                    **Manufacturer:** Apollo/Conbraco                                    **Model:** 3DCDA8  
**Size:** 3    **Orientation:** VU    **Meters:** (M),E,F,G,H,I,J,K,L,N,O,P,Q,T  
**Manual:** 9                                        **0.25% Pb:** No    **Spare Parts Only:** Yes  
**Approved:** 29-Sep-2004                                    **Renewed:** 29-Sep-2019                                    **Bypass:** Apollo/Conbraco 1/2DC 1/2"  
(VU), Apollo/Conbraco W432100 1/2"  
(VU)  
**Shutoffs:** (ppp),qqq

---

**Type:** DCDA                                    **Manufacturer:** Apollo/Conbraco                                    **Model:** 3DCDAU  
**Size:** 3    **Orientation:** VUVD    **Meters:** (M),E,F,G,H,I,J,K,L,N,O,P,Q,T  
**Manual:** 9                                        **0.25% Pb:** No    **Spare Parts Only:** Yes  
**Approved:** 10-Apr-2001                                    **Renewed:** 10-Apr-2022                                    **Bypass:** Apollo/Conbraco 1/2DC 1/2"  
(H), Apollo/Conbraco W432100 1/2" (H)  
**Shutoffs:** (ll),mm

---

**Type:** DCDA                                    **Manufacturer:** Apollo/Conbraco                                    **Model:** 40600000  
**Size:** 3    **Orientation:** H    **Meters:**  
(M),A,B,C,D,E,F,G,H,I,J,K,L,N,O,P,Q,T  
**Manual:** 8                                        **0.25% Pb:** No    **Spare Parts Only:** Yes  
**Approved:** 20-Aug-1996                                    **Renewed:** 20-Aug-2020                                    **Bypass:** Apollo/Conbraco 4010402 3/4"  
(H)  
**Shutoffs:** uu,cc,mm  
**Notes:** formerly 4060003

---

**Type:** DCDA                                    **Manufacturer:** Apollo/Conbraco                                    **Model:** 4060003  
**Size:** 3    **Orientation:**    **Meters:**  
**Manual:**    **0.25% Pb:** No    **Spare Parts Only:** No  
**Approved:**    **Renewed:**    **Bypass:**  
**Notes:** model designation changed to 40600000

---

**Type:** DCDA                                    **Manufacturer:** Apollo/Conbraco                                    **Model:** 4060003  
**Size:** 3    **Orientation:**    **Meters:**  
**Manual:**    **0.25% Pb:** No    **Spare Parts Only:** No  
**Approved:**    **Renewed:**    **Bypass:**  
**Notes:** model designation changed to 40600C3

**Type:** DCDA                                    **Manufacturer:** Apollo/Conbraco                                    **Model:** 40600C3  
**Size:** 3    **Orientation:** H    **Meters:**  
(M),A,B,C,D,E,F,G,H,I,J,K,L,N,O,P,Q,T  
**Manual:** 8                                        **0.25% Pb:** No    **Spare Parts Only:** Yes  
**Approved:** 20-Aug-1996                                    **Renewed:** 20-Aug-2020                                    **Bypass:** Apollo/Conbraco 4010402 3/4"  
(H)  
**Shutoffs:** uu,cc,mm  
**Notes:** formerly 4060003

---

**Type:** DCDA                                    **Manufacturer:** Apollo/Conbraco                                    **Model:** 4060A03  
**Size:** 4    **Orientation:**    **Meters:**  
**Manual:**                                        **0.25% Pb:** No    **Spare Parts Only:** No  
**Approved:**                                        **Renewed:**    **Bypass:**  
**Notes:** model designation changed to 4060AC3

---

**Type:** DCDA                                    **Manufacturer:** Apollo/Conbraco                                    **Model:** 4060A03  
**Size:** 4    **Orientation:**    **Meters:**  
**Manual:**                                        **0.25% Pb:** No    **Spare Parts Only:** No  
**Approved:**                                        **Renewed:**    **Bypass:**  
**Notes:** model designation changed to 4060AE3

---

**Type:** DCDA                                    **Manufacturer:** Apollo/Conbraco                                    **Model:** 4060AC3  
**Size:** 4    **Orientation:** H    **Meters:**  
(M),A,B,C,D,E,F,G,H,I,J,K,L,N,O,P,Q,T  
**Manual:** 8                                        **0.25% Pb:** No    **Spare Parts Only:** Yes  
**Approved:** 13-Apr-1993                                    **Renewed:** 13-Apr-2020                                    **Bypass:** Apollo/Conbraco 4010402 3/4"  
(H)  
**Shutoffs:** uu,cc,mm  
**Notes:** formerly 4060A03

---

**Type:** DCDA                                    **Manufacturer:** Apollo/Conbraco                                    **Model:** 4060AC6  
**Size:** 4    **Orientation:** H    **Meters:**  
(M),A,B,C,D,E,F,G,H,I,J,K,L,N,O,P,Q,T  
**Manual:** 8                                        **0.25% Pb:** No    **Spare Parts Only:** Yes  
**Approved:** 01-Feb-2000                                    **Renewed:** 01-Feb-2021                                    **Bypass:** Apollo/Conbraco 4010402 3/4"  
(H)  
**Shutoffs:** mm[#1SOV], nnn[#2SOV]



**Type:** DCDA                      **Manufacturer:** Apollo/Conbraco                      **Model:** 4060AE3  
**Size:** 4                              **Orientation:** H                              **Meters:**  
(M),A,B,C,D,E,F,G,H,I,J,K,L,N,O,P,Q,T  
**Manual:** 8                              **0.25% Pb:** No                              **Spare Parts Only:** Yes  
**Approved:** 13-Apr-1993                      **Renewed:** 13-Apr-2020                      **Bypass:** Apollo/Conbraco 4010402 3/4"  
(H)  
**Shutoffs:** uu,cc,mm  
**Notes:** formerly 4060A03

---

**Type:** DCDA                      **Manufacturer:** Apollo/Conbraco                      **Model:** 4060AE6  
**Size:** 4                              **Orientation:** H                              **Meters:**  
(M),A,B,C,D,E,F,G,H,I,J,K,L,N,O,P,Q,T  
**Manual:** 8                              **0.25% Pb:** No                              **Spare Parts Only:** Yes  
**Approved:** 01-Feb-2000                      **Renewed:** 01-Feb-2021                      **Bypass:** Apollo/Conbraco 4010402 3/4"  
(H)  
**Shutoffs:** mm[#1SOV], nnn[#2SOV]

---

**Type:** DCDA                      **Manufacturer:** Apollo/Conbraco                      **Model:** 4060C03  
**Size:** 6                              **Orientation:**                              **Meters:**  
**Manual:**                              **0.25% Pb:** No                              **Spare Parts Only:** No  
**Approved:**                              **Renewed:**                              **Bypass:**  
**Notes:** model designation changed to 4060CC3

---

**Type:** DCDA                      **Manufacturer:** Apollo/Conbraco                      **Model:** 4060C03  
**Size:** 6                              **Orientation:**                              **Meters:**  
**Manual:**                              **0.25% Pb:** No                              **Spare Parts Only:** No  
**Approved:**                              **Renewed:**                              **Bypass:**  
**Notes:** model designation changed to 4060CE3

---

**Type:** DCDA                      **Manufacturer:** Apollo/Conbraco                      **Model:** 4060CC3  
**Size:** 6                              **Orientation:** H                              **Meters:**  
(M),A,B,C,D,E,F,G,H,I,J,K,L,N,O,P,Q,T  
**Manual:** 8                              **0.25% Pb:** No                              **Spare Parts Only:** Yes  
**Approved:** 02-Jun-1993                      **Renewed:** 02-Jun-2020                      **Bypass:** Apollo/Conbraco 4010402 3/4"  
(H)  
**Shutoffs:** uu,cc,mm  
**Notes:** formerly 4060C03

**Type:** DCDA    **Manufacturer:** Apollo/Conbraco                    **Model:** 4060CC6  
**Size:** 6    **Orientation:** H    **Meters:**  
(M),A,B,C,D,E,F,G,H,I,J,K,L,N,O,P,Q,T  
**Manual:** 8    **0.25% Pb:** No     **Spare Parts Only:** Yes  
**Approved:** 01-Feb-2000                           **Renewed:** 01-Feb-2021                            **Bypass:** Apollo/Conbraco 4010402 3/4"  
(H)  
**Shutoffs:** mm[#1SOV], nnn[#2SOV]

---

**Type:** DCDA    **Manufacturer:** Apollo/Conbraco                    **Model:** 4060CE3  
**Size:** 6    **Orientation:** H    **Meters:**  
(M),A,B,C,D,E,F,G,H,I,J,K,L,N,O,P,Q,T  
**Manual:** 8    **0.25% Pb:** No     **Spare Parts Only:** Yes  
**Approved:** 02-Jun-1993                           **Renewed:** 02-Jun-2020                            **Bypass:** Apollo/Conbraco 4010402 3/4"  
(H)  
**Shutoffs:** uu,cc,mm  
**Notes:** formerly 4060C03

---

**Type:** DCDA    **Manufacturer:** Apollo/Conbraco                    **Model:** 4060CE6  
**Size:** 6    **Orientation:** H    **Meters:**  
(M),A,B,C,D,E,F,G,H,I,J,K,L,N,O,P,Q,T  
**Manual:** 8    **0.25% Pb:** No     **Spare Parts Only:** Yes  
**Approved:** 01-Feb-2000                           **Renewed:** 01-Feb-2021                            **Bypass:** Apollo/Conbraco 4010402 3/4"  
(H)  
**Shutoffs:** mm[#1SOV], nnn[#2SOV]

---

**Type:** DCDA    **Manufacturer:** Apollo/Conbraco                    **Model:** 4060E03  
**Size:** 8    **Orientation:**    **Meters:**  
**Manual:**    **0.25% Pb:** No     **Spare Parts Only:** No  
**Approved:**    **Renewed:**    **Bypass:**  
**Notes:** model designation changed to 4060EC3

---

**Type:** DCDA    **Manufacturer:** Apollo/Conbraco                    **Model:** 4060E03  
**Size:** 8    **Orientation:**    **Meters:**  
**Manual:**    **0.25% Pb:** No     **Spare Parts Only:** No  
**Approved:**    **Renewed:**    **Bypass:**  
**Notes:** model designation changed to 4060EE3

**Type:** DCDA                      **Manufacturer:** Apollo/Conbraco                      **Model:** 4060EC3  
**Size:** 8                              **Orientation:** H                              **Meters:**  
(M),A,B,C,D,E,F,G,H,I,J,K,L,N,O,P,Q,T  
**Manual:** 8                              **0.25% Pb:** No                              **Spare Parts Only:** Yes  
**Approved:** 13-Apr-1993                      **Renewed:** 13-Apr-2020                      **Bypass:** Apollo/Conbraco 4010402 3/4"  
(H)  
**Shutoffs:** uu,cc,mm  
**Notes:** formerly 4060E03

---

**Type:** DCDA                      **Manufacturer:** Apollo/Conbraco                      **Model:** 4060EC6  
**Size:** 8                              **Orientation:** H                              **Meters:**  
(M),A,B,C,D,E,F,G,H,I,J,K,L,N,O,P,Q,T  
**Manual:** 8                              **0.25% Pb:** No                              **Spare Parts Only:** Yes  
**Approved:** 01-Feb-2000                      **Renewed:** 01-Feb-2021                      **Bypass:** Apollo/Conbraco 4010402 3/4"  
(H)  
**Shutoffs:** mm[#1SOV], nnn[#2SOV]

---

**Type:** DCDA                      **Manufacturer:** Apollo/Conbraco                      **Model:** 4060EE3  
**Size:** 8                              **Orientation:** H                              **Meters:**  
(M),A,B,C,D,E,F,G,H,I,J,K,L,N,O,P,Q,T  
**Manual:** 8                              **0.25% Pb:** No                              **Spare Parts Only:** Yes  
**Approved:** 13-Apr-1993                      **Renewed:** 13-Apr-2020                      **Bypass:** Apollo/Conbraco 4010402 3/4"  
(H)  
**Shutoffs:** uu,cc,mm  
**Notes:** formerly 4060E03

---

**Type:** DCDA                      **Manufacturer:** Apollo/Conbraco                      **Model:** 4060EE6  
**Size:** 8                              **Orientation:** H                              **Meters:**  
(M),A,B,C,D,E,F,G,H,I,J,K,L,N,O,P,Q,T  
**Manual:** 8                              **0.25% Pb:** No                              **Spare Parts Only:** Yes  
**Approved:** 01-Feb-2000                      **Renewed:** 01-Feb-2021                      **Bypass:** Apollo/Conbraco 4010402 3/4"  
(H)  
**Shutoffs:** mm[#1SOV], nnn[#2SOV]

---

**Type:** DCDA                      **Manufacturer:** Apollo/Conbraco                      **Model:** 4060G03  
**Size:** 10                              **Orientation:**                              **Meters:**  
**Manual:**                              **0.25% Pb:** No                              **Spare Parts Only:** No  
**Approved:**                              **Renewed:**                              **Bypass:**  
**Notes:** model designation changed to 4060GC3

**Type:** DCDA                      **Manufacturer:** Apollo/Conbraco                      **Model:** 4060G03  
**Size:** 10                              **Orientation:**                              **Meters:**  
**Manual:**                              **0.25% Pb:** No                              **Spare Parts Only:** No  
**Approved:**                              **Renewed:**                              **Bypass:**  
**Notes:** model designation changed to 4060GE3

---

**Type:** DCDA                      **Manufacturer:** Apollo/Conbraco                      **Model:** 4060GC3  
**Size:** 10                              **Orientation:** H                              **Meters:**  
(M),A,B,C,D,E,F,G,H,I,J,K,L,N,O,P,Q,T  
**Manual:** 8                              **0.25% Pb:** No                              **Spare Parts Only:** Yes  
**Approved:** 13-Apr-1993                      **Renewed:** 13-Apr-2020                      **Bypass:** Apollo/Conbraco 4010402 3/4"  
(H)  
**Shutoffs:** uu,cc,mm  
**Notes:** formerly 4060G03

---

**Type:** DCDA                      **Manufacturer:** Apollo/Conbraco                      **Model:** 4060GC6  
**Size:** 10                              **Orientation:** H                              **Meters:**  
(M),A,B,C,D,E,F,G,H,I,J,K,L,N,O,P,Q,T  
**Manual:** 8                              **0.25% Pb:** No                              **Spare Parts Only:** Yes  
**Approved:** 01-Feb-2000                      **Renewed:** 01-Feb-2021                      **Bypass:** Apollo/Conbraco 4010402 3/4"  
(H)  
**Shutoffs:** mm[#1SOV], nnn[#2SOV]

---

**Type:** DCDA                      **Manufacturer:** Apollo/Conbraco                      **Model:** 4060GE3  
**Size:** 10                              **Orientation:** H                              **Meters:**  
(M),A,B,C,D,E,F,G,H,I,J,K,L,N,O,P,Q,T  
**Manual:** 8                              **0.25% Pb:** No                              **Spare Parts Only:** Yes  
**Approved:** 12-Apr-1993                      **Renewed:** 12-Apr-2020                      **Bypass:** Apollo/Conbraco 4010402 3/4"  
(H)  
**Shutoffs:** uu,cc,mm  
**Notes:** formerly 4060G03

---

**Type:** DCDA                      **Manufacturer:** Apollo/Conbraco                      **Model:** 4060GE6  
**Size:** 10                              **Orientation:** H                              **Meters:**  
(M),A,B,C,D,E,F,G,H,I,J,K,L,N,O,P,Q,T  
**Manual:** 8                              **0.25% Pb:** No                              **Spare Parts Only:** Yes  
**Approved:** 01-Feb-2000                      **Renewed:** 01-Feb-2021                      **Bypass:** Apollo/Conbraco 4010402 3/4"  
(H)  
**Shutoffs:** mm[#1SOV], nnn[#2SOV]

**Type:** DCDA                                      **Manufacturer:** Apollo/Conbraco                                      **Model:** 4DCDA  
**Size:** 4    **Orientation:** H    **Meters:** (M),E,F,G,H,I,J,K,L,N,O,P,Q,T  
**Manual:** 9    **0.25% Pb:** No    **Spare Parts Only:** Yes  
**Approved:** 16-Oct-2000                                      **Renewed:** 16-Oct-2021                                      **Bypass:** Apollo/Conbraco 1/2DC 1/2"  
(H), Apollo/Conbraco W432100 1/2" (H)  
**Shutoffs:** (ll),mm

---

**Type:** DCDA                                      **Manufacturer:** Apollo/Conbraco                                      **Model:** 4DCDA  
**Size:** 4    **Orientation:** VU    **Meters:** (M),E,F,G,H,I,J,K,L,N,O,P,Q,T  
**Manual:** 9    **0.25% Pb:** No    **Spare Parts Only:** Yes  
**Approved:** 16-Oct-2000                                      **Renewed:** 16-Oct-2021                                      **Bypass:** Apollo/Conbraco 1/2DC 1/2"  
(VU), Apollo/Conbraco W432100 1/2"  
(VU)  
**Shutoffs:** (ll),mm

---

**Type:** DCDA                                      **Manufacturer:** Apollo/Conbraco                                      **Model:** 4DCDA6  
**Size:** 4    **Orientation:** H    **Meters:** (M),E,F,G,H,I,J,K,L,N,O,P,Q,T  
**Manual:** 9    **0.25% Pb:** No    **Spare Parts Only:** Yes  
**Approved:** 10-Apr-2001                                      **Renewed:** 10-Apr-2022                                      **Bypass:** Apollo/Conbraco 1/2DC 1/2"  
(H), Apollo/Conbraco W432100 1/2" (H)  
**Shutoffs:** (mm)[#1SOV],[nnn][#2SOV]

---

**Type:** DCDA                                      **Manufacturer:** Apollo/Conbraco                                      **Model:** 4DCDA6  
**Size:** 4    **Orientation:** VU    **Meters:** (M),E,F,G,H,I,J,K,L,N,O,P,Q,T  
**Manual:** 9    **0.25% Pb:** No    **Spare Parts Only:** Yes  
**Approved:** 10-Apr-2001                                      **Renewed:** 10-Apr-2022                                      **Bypass:** Apollo/Conbraco 1/2DC 1/2"  
(VU), Apollo/Conbraco W432100 1/2"  
(VU)  
**Shutoffs:** (mm)[#1SOV],[nnn][#2SOV]

---

**Type:** DCDA                                      **Manufacturer:** Apollo/Conbraco                                      **Model:** 4DCDA7  
**Size:** 4    **Orientation:** H    **Meters:** (M),E,F,G,H,I,J,K,L,N,O,P,Q,T  
**Manual:** 9    **0.25% Pb:** No    **Spare Parts Only:** Yes  
**Approved:** 29-Sep-2004                                      **Renewed:** 29-Sep-2019                                      **Bypass:** Apollo/Conbraco 1/2DC 1/2"  
(H), Apollo/Conbraco W432100 1/2" (H)  
**Shutoffs:** (mm)[#1SOV], (qqq)[#2SOV]

**Type:** DCDA  
**Size:** 4  
**Manual:** 9  
**Approved:** 29-Sep-2004  
**Shutoffs:** (mm)[#1SOV], (qqq)[#2SOV]

**Manufacturer:** Apollo/Conbraco  
**Orientation:** VU  
**0.25% Pb:** No  
**Renewed:** 29-Sep-2019

**Model:** 4DCDA7  
**Meters:** (M),E,F,G,H,I,J,K,L,N,O,P,Q,T  
**Spare Parts Only:** Yes  
**Bypass:** Apollo/Conbraco 1/2DC 1/2" (VU), Apollo/Conbraco W432100 1/2" (VU)

---

**Type:** DCDA  
**Size:** 4  
**Manual:** 9  
**Approved:** 29-Sep-2004  
**Shutoffs:** (ppp),qqq

**Manufacturer:** Apollo/Conbraco  
**Orientation:** H  
**0.25% Pb:** No  
**Renewed:** 29-Sep-2019

**Model:** 4DCDA8  
**Meters:** (M),E,F,G,H,I,J,K,L,N,O,P,Q,T  
**Spare Parts Only:** Yes  
**Bypass:** Apollo/Conbraco 1/2DC 1/2" (H), Apollo/Conbraco W432100 1/2" (H)

---

**Type:** DCDA  
**Size:** 4  
**Manual:** 9  
**Approved:** 29-Sep-2004  
**Shutoffs:** (ppp),qqq

**Manufacturer:** Apollo/Conbraco  
**Orientation:** VU  
**0.25% Pb:** No  
**Renewed:** 29-Sep-2019

**Model:** 4DCDA8  
**Meters:** (M),E,F,G,H,I,J,K,L,N,O,P,Q,T  
**Spare Parts Only:** Yes  
**Bypass:** Apollo/Conbraco 1/2DC 1/2" (VU), Apollo/Conbraco W432100 1/2" (VU)

---

**Type:** DCDA  
**Size:** 4  
**Manual:** 9  
**Approved:** 10-Apr-2001  
**Shutoffs:** (ll),mm

**Manufacturer:** Apollo/Conbraco  
**Orientation:** VUVD  
**0.25% Pb:** No  
**Renewed:** 10-Apr-2022

**Model:** 4DCDAU  
**Meters:** (M),E,F,G,H,I,J,K,L,N,O,P,Q,T  
**Spare Parts Only:** Yes  
**Bypass:** Apollo/Conbraco 1/2DC 1/2" (H), Apollo/Conbraco W432100 1/2" (H)

---

**Type:** DCDA  
**Size:** 2 1/2  
**Manual:**  
**Approved:**  
**Notes:** model designation changed to DCDA4SGN

**Manufacturer:** Apollo/Conbraco  
**Orientation:**  
**0.25% Pb:** No  
**Renewed:**

**Model:** 4SG 600U  
**Meters:**  
**Spare Parts Only:** No  
**Bypass:**

---

**Type:** DCDA  
**Size:** 3  
**Manual:**  
**Approved:**  
**Notes:** model designation changed to DCDA4SGN

**Manufacturer:** Apollo/Conbraco  
**Orientation:**  
**0.25% Pb:** No  
**Renewed:**

**Model:** 4SG 600U  
**Meters:**  
**Spare Parts Only:** No  
**Bypass:**

**Type:** DCDA                                    **Manufacturer:** Apollo/Conbraco                                    **Model:** 4SG 600U  
**Size:** 4    **Orientation:**    **Meters:**  
**Manual:**                                        **0.25% Pb:** No    **Spare Parts Only:** No  
**Approved:**                                      **Renewed:**    **Bypass:**  
**Notes:** model designation changed to DCDA4SGN

---

**Type:** DCDA                                    **Manufacturer:** Apollo/Conbraco                                    **Model:** 4SG 600U  
**Size:** 6    **Orientation:**    **Meters:**  
**Manual:**                                        **0.25% Pb:** No    **Spare Parts Only:** No  
**Approved:**                                      **Renewed:**    **Bypass:**  
**Notes:** model designation changed to DCDA4SGN

---

**Type:** DCDA                                    **Manufacturer:** Apollo/Conbraco                                    **Model:** 4SG 600U  
**Size:** 8    **Orientation:**    **Meters:**  
**Manual:**                                        **0.25% Pb:** No    **Spare Parts Only:** No  
**Approved:**                                      **Renewed:**    **Bypass:**  
**Notes:** model designation changed to DCDA4SGN

---

**Type:** DCDA                                    **Manufacturer:** Apollo/Conbraco                                    **Model:** 4SG-600  
**Size:** 2 1/2                                      **Orientation:**    **Meters:**  
**Manual:**                                        **0.25% Pb:** No    **Spare Parts Only:** No  
**Approved:**                                      **Renewed:**    **Bypass:**  
**Notes:** model designation changed to DCDA4SG

---

**Type:** DCDA                                    **Manufacturer:** Apollo/Conbraco                                    **Model:** 4SG-600  
**Size:** 2 1/2                                      **Orientation:**    **Meters:**  
**Manual:**                                        **0.25% Pb:** No    **Spare Parts Only:** No  
**Approved:**                                      **Renewed:**    **Bypass:**  
**Notes:** model designation changed to DCDA4SG

---

**Type:** DCDA                                    **Manufacturer:** Apollo/Conbraco                                    **Model:** 4SG-600  
**Size:** 3    **Orientation:**    **Meters:**  
**Manual:**                                        **0.25% Pb:** No    **Spare Parts Only:** No  
**Approved:**                                      **Renewed:**    **Bypass:**  
**Notes:** model designation changed to DCDA4SG

---

**Type:** DCDA                                    **Manufacturer:** Apollo/Conbraco                                    **Model:** 4SG-600  
**Size:** 3    **Orientation:**    **Meters:**  
**Manual:**                                        **0.25% Pb:** No    **Spare Parts Only:** No  
**Approved:**                                      **Renewed:**    **Bypass:**  
**Notes:** model designation changed to DCDA4SG

**Type:** DCDA                                      **Manufacturer:** Apollo/Conbraco                                      **Model:** 4SG-600  
**Size:** 4    **Orientation:**    **Meters:**  
**Manual:**    **0.25% Pb:** No    **Spare Parts Only:** No  
**Approved:**    **Renewed:**    **Bypass:**  
**Notes:** model designation changed to DCDA4SG

---

**Type:** DCDA                                      **Manufacturer:** Apollo/Conbraco                                      **Model:** 4SG-600  
**Size:** 4    **Orientation:**    **Meters:**  
**Manual:**    **0.25% Pb:** No    **Spare Parts Only:** No  
**Approved:**    **Renewed:**    **Bypass:**  
**Notes:** model designation changed to DCDA4SG

---

**Type:** DCDA                                      **Manufacturer:** Apollo/Conbraco                                      **Model:** 4SG-600  
**Size:** 6    **Orientation:**    **Meters:**  
**Manual:**    **0.25% Pb:** No    **Spare Parts Only:** No  
**Approved:**    **Renewed:**    **Bypass:**  
**Notes:** model designation changed to DCDA4SG

---

**Type:** DCDA                                      **Manufacturer:** Apollo/Conbraco                                      **Model:** 4SG-600  
**Size:** 6    **Orientation:**    **Meters:**  
**Manual:**    **0.25% Pb:** No    **Spare Parts Only:** No  
**Approved:**    **Renewed:**    **Bypass:**  
**Notes:** model designation changed to DCDA4SG

---

**Type:** DCDA                                      **Manufacturer:** Apollo/Conbraco                                      **Model:** 4SG-600  
**Size:** 8    **Orientation:**    **Meters:**  
**Manual:**    **0.25% Pb:** No    **Spare Parts Only:** No  
**Approved:**    **Renewed:**    **Bypass:**  
**Notes:** model designation changed to DCDA4SG

---

**Type:** DCDA                                      **Manufacturer:** Apollo/Conbraco                                      **Model:** 4SG-600  
**Size:** 8    **Orientation:**    **Meters:**  
**Manual:**    **0.25% Pb:** No    **Spare Parts Only:** No  
**Approved:**    **Renewed:**    **Bypass:**  
**Notes:** model designation changed to DCDA4SG



<b>Type:</b> DCDA	<b>Manufacturer:</b> Apollo/Conbraco	<b>Model:</b> 6DCDA
<b>Size:</b> 6	<b>Orientation:</b> H	<b>Meters:</b> (M),E,F,G,H,I,J,K,L,N,O,P,Q,T
<b>Manual:</b> 9	<b>0.25% Pb:</b> No	<b>Spare Parts Only:</b> Yes
<b>Approved:</b> 16-Oct-2000	<b>Renewed:</b> 16-Oct-2021	<b>Bypass:</b> Apollo/Conbraco 1/2DC 1/2" (H), Apollo/Conbraco W432100 1/2" (H)
<b>Shutoffs:</b> (ll),mm		

---

<b>Type:</b> DCDA	<b>Manufacturer:</b> Apollo/Conbraco	<b>Model:</b> 6DCDA
<b>Size:</b> 6	<b>Orientation:</b> VU	<b>Meters:</b> (M),E,F,G,H,I,J,K,L,N,O,P,Q,T
<b>Manual:</b> 9	<b>0.25% Pb:</b> No	<b>Spare Parts Only:</b> Yes
<b>Approved:</b> 16-Oct-2000	<b>Renewed:</b> 16-Oct-2021	<b>Bypass:</b> Apollo/Conbraco 1/2DC 1/2" (VU), Apollo/Conbraco W432100 1/2" (VU)
<b>Shutoffs:</b> (ll),mm		

---

<b>Type:</b> DCDA	<b>Manufacturer:</b> Apollo/Conbraco	<b>Model:</b> 6DCDA6
<b>Size:</b> 6	<b>Orientation:</b> H	<b>Meters:</b> (M),E,F,G,H,I,J,K,L,N,O,P,Q,T
<b>Manual:</b> 9	<b>0.25% Pb:</b> No	<b>Spare Parts Only:</b> Yes
<b>Approved:</b> 10-Apr-2001	<b>Renewed:</b> 10-Apr-2022	<b>Bypass:</b> Apollo/Conbraco 1/2DC 1/2" (H), Apollo/Conbraco W432100 1/2" (H)
<b>Shutoffs:</b> (mm)[#1SOV],[nnn][#2SOV]		

---

<b>Type:</b> DCDA	<b>Manufacturer:</b> Apollo/Conbraco	<b>Model:</b> 6DCDA6
<b>Size:</b> 6	<b>Orientation:</b> VU	<b>Meters:</b> (M),E,F,G,H,I,J,K,L,N,O,P,Q,T
<b>Manual:</b> 9	<b>0.25% Pb:</b> No	<b>Spare Parts Only:</b> Yes
<b>Approved:</b> 10-Apr-2001	<b>Renewed:</b> 10-Apr-2022	<b>Bypass:</b> Apollo/Conbraco 1/2DC 1/2" (VU), Apollo/Conbraco W432100 1/2" (VU)
<b>Shutoffs:</b> (mm)[#1SOV],[nnn][#2SOV]		

---

<b>Type:</b> DCDA	<b>Manufacturer:</b> Apollo/Conbraco	<b>Model:</b> 6DCDA7
<b>Size:</b> 6	<b>Orientation:</b> H	<b>Meters:</b> (M),E,F,G,H,I,J,K,L,N,O,P,Q,T
<b>Manual:</b> 9	<b>0.25% Pb:</b> No	<b>Spare Parts Only:</b> Yes
<b>Approved:</b> 29-Sep-2004	<b>Renewed:</b> 29-Sep-2019	<b>Bypass:</b> Apollo/Conbraco 1/2DC 1/2" (H), Apollo/Conbraco W432100 1/2" (H)
<b>Shutoffs:</b> (mm)[#1SOV],(qqq)[#2SOV]		

**Type:** DCDA  
**Size:** 6  
**Manual:** 9  
**Approved:** 29-Sep-2004  
**Shutoffs:** (mm)[#1SOV], (qqq)[#2SOV]

**Manufacturer:** Apollo/Conbraco  
**Orientation:** VU  
**0.25% Pb:** No  
**Renewed:** 29-Sep-2019

**Model:** 6DCDA7  
**Meters:** (M),E,F,G,H,I,J,K,L,N,O,P,Q,T  
**Spare Parts Only:** Yes  
**Bypass:** Apollo/Conbraco 1/2DC 1/2" (VU), Apollo/Conbraco W432100 1/2" (VU)

---

**Type:** DCDA  
**Size:** 6  
**Manual:** 9  
**Approved:** 29-Sep-2004  
**Shutoffs:** (ppp),qqq

**Manufacturer:** Apollo/Conbraco  
**Orientation:** H  
**0.25% Pb:** No  
**Renewed:** 29-Sep-2019

**Model:** 6DCDA8  
**Meters:** (M),E,F,G,H,I,J,K,L,N,O,P,Q,T  
**Spare Parts Only:** Yes  
**Bypass:** Apollo/Conbraco 1/2DC 1/2" (H), Apollo/Conbraco W432100 1/2" (H)

---

**Type:** DCDA  
**Size:** 6  
**Manual:** 9  
**Approved:** 29-Sep-2004  
**Shutoffs:** (ppp),qqq

**Manufacturer:** Apollo/Conbraco  
**Orientation:** VU  
**0.25% Pb:** No  
**Renewed:** 29-Sep-2019

**Model:** 6DCDA8  
**Meters:** (M),E,F,G,H,I,J,K,L,N,O,P,Q,T  
**Spare Parts Only:** Yes  
**Bypass:** Apollo/Conbraco 1/2DC 1/2" (VU), Apollo/Conbraco W432100 1/2" (VU)

---

**Type:** DCDA  
**Size:** 6  
**Manual:** 9  
**Approved:** 10-Apr-2001  
**Shutoffs:** (ll),mm

**Manufacturer:** Apollo/Conbraco  
**Orientation:** VUVD  
**0.25% Pb:** No  
**Renewed:** 10-Apr-2022

**Model:** 6DCDAU  
**Meters:** (M),E,F,G,H,I,J,K,L,N,O,P,Q,T  
**Spare Parts Only:** Yes  
**Bypass:** Apollo/Conbraco 1/2DC 1/2" (H), Apollo/Conbraco W432100 1/2" (H)

---

**Type:** DCDA  
**Size:** 8  
**Manual:** 9  
**Approved:** 16-Jan-2003  
**Shutoffs:** (mm),ll

**Manufacturer:** Apollo/Conbraco  
**Orientation:** H  
**0.25% Pb:** No  
**Renewed:** 16-Jan-2021

**Model:** 8DCDA  
**Meters:** (M),F,G,H,I,J,K,L,N,O,P,Q,T  
**Spare Parts Only:** Yes  
**Bypass:** Apollo/Conbraco 1/2DC 1/2" (H), Apollo/Conbraco W432100 1/2" (H)



**Type:** DCDA **Manufacturer:** Apollo/Conbraco **Model:** DCDA4S  
**Size:** 10 **Orientation:** H **Meters:** (M),F,G,H,I,J,K,L,N,O,P,Q,T  
**Manual:** 9 **0.25% Pb:** No **Spare Parts Only:** No  
**Approved:** 16-Jan-2003 **Renewed:** 16-Jan-2021 **Bypass:** Apollo/Conbraco 1/2DC 1/2"  
(H), Apollo/Conbraco W432100 1/2" (H)  
**Shutoffs:** (mm),ll, xxxxx, zzzzz, bbbbbb, cccccc  
**Notes:** formerly 10DCDA

---

**Type:** DCDA **Manufacturer:** Apollo/Conbraco **Model:** DCDA4S  
**Size:** 10 **Orientation:** VU **Meters:** (M),F,G,H,I,J,K,L,N,O,P,Q,T  
**Manual:** 9 **0.25% Pb:** No **Spare Parts Only:** No  
**Approved:** 16-Jan-2003 **Renewed:** 16-Jan-2021 **Bypass:** Apollo/Conbraco 1/2DC 1/2"  
(VU), Apollo/Conbraco W432100 1/2"  
(VU)  
**Shutoffs:** (mm),ll, xxxxx, zzzzz, bbbbbb, cccccc  
**Notes:** formerly 10DCDA

---

**Type:** DCDA **Manufacturer:** Apollo/Conbraco **Model:** DCDA4SG  
**Size:** 2 1/2 **Orientation:** H **Meters:** (M),E,F,G,H,I,J,K,L,N,O,P,Q,T  
**Manual:** 9 **0.25% Pb:** No **Spare Parts Only:** No  
**Approved:** 18-Oct-2007 **Renewed:** 18-Oct-2019 **Bypass:** Apollo/Conbraco 4S103 1/2"  
(H), Apollo/Conbraco W432100 1/2" (H)  
**Shutoffs:** (yyy)ppp,qqq,ttt,xxxxx,yyyyy,zzzzz,aaaaaa, xxxxxx  
**Notes:** formerly 4SG-600

---

**Type:** DCDA **Manufacturer:** Apollo/Conbraco **Model:** DCDA4SG  
**Size:** 2 1/2 **Orientation:** VU **Meters:** (M),E,F,G,H,I,J,K,L,N,O,P,Q,T  
**Manual:** 9 **0.25% Pb:** No **Spare Parts Only:** No  
**Approved:** 18-Oct-2007 **Renewed:** 18-Oct-2019 **Bypass:** Apollo/Conbraco 4S103 1/2"  
(VU), Apollo/Conbraco W432100 1/2"  
(V)  
**Shutoffs:** (yyy)ppp,qqq,ttt,xxxxx,yyyyy,zzzzz,aaaaaa, xxxxxx  
**Notes:** formerly 4SG-600

---

**Type:** DCDA **Manufacturer:** Apollo/Conbraco **Model:** DCDA4SG  
**Size:** 3 **Orientation:** H **Meters:** (M),E,F,G,H,I,J,K,L,N,O,P,Q,T  
**Manual:** 9 **0.25% Pb:** No **Spare Parts Only:** No  
**Approved:** 18-Oct-2007 **Renewed:** 18-Oct-2019 **Bypass:** Apollo/Conbraco 4S103 1/2"  
(H), Apollo/Conbraco W432100 1/2" (H)  
**Shutoffs:** (yyy)ppp,qqq,ttt,xxxxx,yyyyy,zzzzz,aaaaaa, xxxxxx  
**Notes:** formerly 4SG-600

**Type:** DCDA                                      **Manufacturer:** Apollo/Conbraco                                      **Model:** DCDA4SG  
**Size:** 3    **Orientation:** VU    **Meters:** (M),E,F,G,H,I,J,K,L,N,O,P,Q,T  
**Manual:** 9    **0.25% Pb:** No    **Spare Parts Only:** No  
  
**Approved:** 18-Oct-2007                                      **Renewed:** 18-Oct-2019                                      **Bypass:** Apollo/Conbraco 4S103 1/2"  
(VU), Apollo/Conbraco W432100 1/2"  
(V)  
  
**Shutoffs:** (yyy)ppp,qqq,ttt,xxxxx,yyyyy,zzzzz,aaaaaa, xxxxxx  
**Notes:** formerly 4SG-600

---

**Type:** DCDA                                      **Manufacturer:** Apollo/Conbraco                                      **Model:** DCDA4SG  
**Size:** 4    **Orientation:** H    **Meters:** (M),E,F,G,H,I,J,K,L,N,O,P,Q,T  
**Manual:** 9    **0.25% Pb:** No    **Spare Parts Only:** No  
  
**Approved:** 18-Oct-2007                                      **Renewed:** 18-Oct-2019                                      **Bypass:** Apollo/Conbraco 4S103 1/2"  
(H), Apollo/Conbraco W432100 1/2" (H)  
  
**Shutoffs:** (yyy)ppp,qqq,ttt,xxxxx,yyyyy,zzzzz,aaaaaa, xxxxxx  
**Notes:** formerly 4SG-600

---

**Type:** DCDA                                      **Manufacturer:** Apollo/Conbraco                                      **Model:** DCDA4SG  
**Size:** 4    **Orientation:** VU    **Meters:** (M),E,F,G,H,I,J,K,L,N,O,P,Q,T  
**Manual:** 9    **0.25% Pb:** No    **Spare Parts Only:** No  
  
**Approved:** 18-Oct-2007                                      **Renewed:** 18-Oct-2019                                      **Bypass:** Apollo/Conbraco 4S103 1/2"  
(VU), Apollo/Conbraco W432100 1/2"  
(V)  
  
**Shutoffs:** (yyy)ppp,qqq,ttt,xxxxx,yyyyy,zzzzz,aaaaaa, xxxxxx  
**Notes:** formerly 4SG-600

---

**Type:** DCDA                                      **Manufacturer:** Apollo/Conbraco                                      **Model:** DCDA4SG  
**Size:** 6    **Orientation:** H    **Meters:** (M),E,F,G,H,I,J,K,L,N,O,P,Q,T  
**Manual:** 9    **0.25% Pb:** No    **Spare Parts Only:** No  
  
**Approved:** 18-Oct-2007                                      **Renewed:** 18-Oct-2019                                      **Bypass:** Apollo/Conbraco 4S103 1/2"  
(H), Apollo/Conbraco W432100 1/2" (H)  
  
**Shutoffs:** (yyy)ppp,qqq,ttt,xxxxx,yyyyy,zzzzz,aaaaaa, xxxxxx  
**Notes:** formerly 4SG-600

---

**Type:** DCDA                                      **Manufacturer:** Apollo/Conbraco                                      **Model:** DCDA4SG  
**Size:** 6    **Orientation:** VU    **Meters:** (M),E,F,G,H,I,J,K,L,N,O,P,Q,T  
**Manual:** 9    **0.25% Pb:** No    **Spare Parts Only:** No  
  
**Approved:** 18-Oct-2007                                      **Renewed:** 18-Oct-2019                                      **Bypass:** Apollo/Conbraco 4S103 1/2"  
(VU), Apollo/Conbraco W432100 1/2"  
(V)  
  
**Shutoffs:** (yyy)ppp,qqq,ttt,xxxxx,yyyyy,zzzzz,aaaaaa, xxxxxx  
**Notes:** formerly 4SG-600

---

<b>Type:</b> DCDA	<b>Manufacturer:</b> Apollo/Conbraco	<b>Model:</b> DCDA4SG
<b>Size:</b> 8	<b>Orientation:</b> H	<b>Meters:</b> (M),E,F,G,H,I,J,K,L,N,O,P,Q,T
<b>Manual:</b> 9	<b>0.25% Pb:</b> No	<b>Spare Parts Only:</b> No
<b>Approved:</b> 18-Oct-2007	<b>Renewed:</b> 18-Oct-2019	<b>Bypass:</b> Apollo/Conbraco 4S103 1/2" (H), Apollo/Conbraco W432100 1/2" (H)
<b>Shutoffs:</b> (yyy)ppp,qqq,ttt,xxxxx,yyyyy,zzzzz,aaaaaa, xxxxxx		
<b>Notes:</b> formerly 4SG-600		

---

<b>Type:</b> DCDA	<b>Manufacturer:</b> Apollo/Conbraco	<b>Model:</b> DCDA4SG
<b>Size:</b> 8	<b>Orientation:</b> VU	<b>Meters:</b> (M),E,F,G,H,I,J,K,L,N,O,P,Q,T
<b>Manual:</b> 9	<b>0.25% Pb:</b> No	<b>Spare Parts Only:</b> No
<b>Approved:</b> 18-Oct-2007	<b>Renewed:</b> 18-Oct-2019	<b>Bypass:</b> Apollo/Conbraco 4S103 1/2" (VU), Apollo/Conbraco W432100 1/2" (V)
<b>Shutoffs:</b> (yyy)ppp,qqq,ttt,xxxxx,yyyyy,zzzzz,aaaaaa, xxxxxx		
<b>Notes:</b> formerly 4SG-600		

---

<b>Type:</b> DCDA	<b>Manufacturer:</b> Apollo/Conbraco	<b>Model:</b> DCDA4SGN
<b>Size:</b> 2 1/2	<b>Orientation:</b> VUVD	<b>Meters:</b> (M),E,F,G,H,I,J,K,L,N,O,P,Q,T
<b>Manual:</b> 9	<b>0.25% Pb:</b> No	<b>Spare Parts Only:</b> Yes
<b>Approved:</b> 18-Oct-2007	<b>Renewed:</b> 18-Oct-2019	<b>Bypass:</b> Apollo/Conbraco 4S103 1/2" (H), Apollo/Conbraco W432100 1/2" (H)
<b>Shutoffs:</b> (yyy)ppp,qqq,ttt		
<b>Notes:</b> formerly 4SG 600U		

---

<b>Type:</b> DCDA	<b>Manufacturer:</b> Apollo/Conbraco	<b>Model:</b> DCDA4SGN
<b>Size:</b> 3	<b>Orientation:</b> VUVD	<b>Meters:</b> (M),E,F,G,H,I,J,K,L,N,O,P,Q,T
<b>Manual:</b> 9	<b>0.25% Pb:</b> No	<b>Spare Parts Only:</b> Yes
<b>Approved:</b> 18-Oct-2007	<b>Renewed:</b> 18-Oct-2019	<b>Bypass:</b> Apollo/Conbraco 4S103 1/2" (H), Apollo/Conbraco W432100 1/2" (H)
<b>Shutoffs:</b> (yyy)ppp,qqq,ttt		
<b>Notes:</b> formerly 4SG 600U		

---

<b>Type:</b> DCDA	<b>Manufacturer:</b> Apollo/Conbraco	<b>Model:</b> DCDA4SGN
<b>Size:</b> 4	<b>Orientation:</b> VUVD	<b>Meters:</b> (M),E,F,G,H,I,J,K,L,N,O,P,Q,T
<b>Manual:</b> 9	<b>0.25% Pb:</b> No	<b>Spare Parts Only:</b> Yes
<b>Approved:</b> 18-Oct-2007	<b>Renewed:</b> 18-Oct-2019	<b>Bypass:</b> Apollo/Conbraco 4S103 1/2" (H), Apollo/Conbraco W432100 1/2" (H)
<b>Shutoffs:</b> (yyy)ppp,qqq,ttt		
<b>Notes:</b> formerly 4SG 600U		

**Type:** DCDA                                    **Manufacturer:** Apollo/Conbraco                                    **Model:** DCDA4SGN  
**Size:** 6    **Orientation:** VUVD    **Meters:** (M),E,F,G,H,I,J,K,L,N,O,P,Q,T  
**Manual:** 9                                        **0.25% Pb:** No    **Spare Parts Only:** Yes  
**Approved:** 18-Oct-2007    **Renewed:** 18-Oct-2019    **Bypass:** Apollo/Conbraco 4S103 1/2"  
(H), Apollo/Conbraco W432100 1/2" (H)  
**Shutoffs:** (yyy)ppp,qqq,ttt  
**Notes:** formerly 4SG 600U

---

**Type:** DCDA                                    **Manufacturer:** Apollo/Conbraco                                    **Model:** DCDA4SGN  
**Size:** 8    **Orientation:** VUVD    **Meters:** (M),E,F,G,H,I,J,K,L,N,O,P,Q,T  
**Manual:** 9                                        **0.25% Pb:** No    **Spare Parts Only:** Yes  
**Approved:** 18-Oct-2007    **Renewed:** 18-Oct-2019    **Bypass:** Apollo/Conbraco 4S103 1/2"  
(H), Apollo/Conbraco W432100 1/2" (H)  
**Shutoffs:** (yyy)ppp,qqq,ttt  
**Notes:** formerly 4SG 600U

---

**Type:** DCDA                                    **Manufacturer:** Apollo/Conbraco                                    **Model:** DCDALF4A  
**Size:** 2 1/2                                        **Orientation:** H    **Meters:** (P),G,H,I,J,K,L,M,N,O,Q,T  
**Manual:** 10                                        **0.25% Pb:** Yes    **Spare Parts Only:** No  
**Approved:** 30-Oct-2013    **Renewed:** 30-Oct-2019    **Bypass:** Apollo DCLF4A 1/2" (H)  
**Shutoffs:** (yyy), cccc, dddd, mmmm, nnnn, xxxxx, yyyyy, zzzzz, aaaaaa, xxxxxx

---

**Type:** DCDA                                    **Manufacturer:** Apollo/Conbraco                                    **Model:** DCDALF4A  
**Size:** 2 1/2                                        **Orientation:** VU    **Meters:** (P),G,H,I,J,K,L,M,N,O,Q,T  
**Manual:** 10                                        **0.25% Pb:** Yes    **Spare Parts Only:** No  
**Approved:** 30-Oct-2013    **Renewed:** 30-Oct-2019    **Bypass:** Apollo DCLF4A 1/2" (VU)  
**Shutoffs:** (yyy), cccc, dddd, mmmm, nnnn, xxxxx, yyyyy, zzzzz, aaaaaa, xxxxxx

---

**Type:** DCDA                                    **Manufacturer:** Apollo/Conbraco                                    **Model:** DCDALF4A  
**Size:** 3    **Orientation:** H    **Meters:** (P),G,H,I,J,K,L,M,N,O,Q,T  
**Manual:** 10                                        **0.25% Pb:** Yes    **Spare Parts Only:** No  
**Approved:** 30-Oct-2013    **Renewed:** 30-Oct-2019    **Bypass:** Apollo DCLF4A 1/2" (H)  
**Shutoffs:** (yyy), cccc, dddd, mmmm, nnnn, xxxxx, yyyyy, zzzzz, aaaaaa, xxxxxx

---

**Type:** DCDA                                    **Manufacturer:** Apollo/Conbraco                                    **Model:** DCDALF4A  
**Size:** 3    **Orientation:** VU    **Meters:** (P),G,H,I,J,K,L,M,N,O,Q,T  
**Manual:** 10                                        **0.25% Pb:** Yes    **Spare Parts Only:** No  
**Approved:** 30-Oct-2013    **Renewed:** 30-Oct-2019    **Bypass:** Apollo DCLF4A 1/2" (VU)  
**Shutoffs:** (yyy), cccc, dddd, mmmm, nnnn, xxxxx, yyyyy, zzzzz, aaaaaa, xxxxxx

**Type:** DCDA                                **Manufacturer:** Apollo/Conbraco                                **Model:** DCDALF4A  
**Size:** 4    **Orientation:** H    **Meters:** (P),G,H,I,J,K,L,M,N,O,Q,T  
**Manual:** 10    **0.25% Pb:** Yes    **Spare Parts Only:** No  
**Approved:** 24-Jun-2013                                **Renewed:** 24-Jun-2022                                **Bypass:** Apollo DCLF4A 1/2" (H)  
**Shutoffs:** (yyy), cccc, dddd, mmmm, nnnn, xxxxx, yyyyy, zzzzz, aaaaaa, xxxxxx

---

**Type:** DCDA                                **Manufacturer:** Apollo/Conbraco                                **Model:** DCDALF4A  
**Size:** 4    **Orientation:** VU    **Meters:** (P),G,H,I,J,K,L,M,N,O,Q,T  
**Manual:** 10    **0.25% Pb:** Yes    **Spare Parts Only:** No  
**Approved:** 24-Jun-2013                                **Renewed:** 24-Jun-2022                                **Bypass:** Apollo DCLF4A 1/2" (VU)  
**Shutoffs:** (yyy), cccc, dddd, mmmm, nnnn, xxxxx, yyyyy, zzzzz, aaaaaa, xxxxxx

---

**Type:** DCDA                                **Manufacturer:** Apollo/Conbraco                                **Model:** DCDALF4A  
**Size:** 6    **Orientation:** H    **Meters:** (P),G,H,I,J,K,L,M,N,O,Q,T  
**Manual:** 10    **0.25% Pb:** Yes    **Spare Parts Only:** No  
**Approved:** 24-Jun-2013                                **Renewed:** 24-Jun-2022                                **Bypass:** Apollo DCLF4A 1/2" (H)  
**Shutoffs:** (yyy), cccc, dddd, mmmm, nnnn, xxxxx, yyyyy, zzzzz, aaaaaa, xxxxxx

---

**Type:** DCDA                                **Manufacturer:** Apollo/Conbraco                                **Model:** DCDALF4A  
**Size:** 6    **Orientation:** VU    **Meters:** (P),G,H,I,J,K,L,M,N,O,Q,T  
**Manual:** 10    **0.25% Pb:** Yes    **Spare Parts Only:** No  
**Approved:** 24-Jun-2013                                **Renewed:** 24-Jun-2022                                **Bypass:** Apollo DCLF4A 1/2" (VU)  
**Shutoffs:** (yyy), cccc, dddd, mmmm, nnnn, xxxxx, yyyyy, zzzzz, aaaaaa, xxxxxx

---

**Type:** DCDA                                **Manufacturer:** Apollo/Conbraco                                **Model:** DCDALF4A  
**Size:** 8    **Orientation:** H    **Meters:** (P),G,H,I,J,K,L,M,N,O,Q,T  
**Manual:** 10    **0.25% Pb:** Yes    **Spare Parts Only:** No  
**Approved:** 15-May-2014                                **Renewed:** 15-May-2020                                **Bypass:** Apollo DCLF4A 1/2" (H)  
**Shutoffs:** (yyy), cccc, dddd, mmmm, nnnn, xxxxx, yyyyy, zzzzz, aaaaaa, xxxxxx

---

**Type:** DCDA                                **Manufacturer:** Apollo/Conbraco                                **Model:** DCDALF4A  
**Size:** 8    **Orientation:** VU    **Meters:** (P),G,H,I,J,K,L,M,N,O,Q,T  
**Manual:** 10    **0.25% Pb:** Yes    **Spare Parts Only:** No  
**Approved:** 15-May-2014                                **Renewed:** 15-May-2020                                **Bypass:** Apollo DCLF4A 1/2" (VU)  
**Shutoffs:** (yyy), cccc, dddd, mmmm, nnnn, xxxxx, yyyyy, zzzzz, aaaaaa, xxxxxx

---

**Type:** DCDA                                **Manufacturer:** Apollo/Conbraco                                **Model:** DCDALF4AN  
**Size:** 2 1/2    **Orientation:** VUVD    **Meters:** (P),G,H,I,J,K,L,M,N,O,Q,T  
**Manual:** 10    **0.25% Pb:** Yes    **Spare Parts Only:** No  
**Approved:** 10-Jun-2014                                **Renewed:** 10-Jun-2020                                **Bypass:** Apollo DCLF4A 1/2" (H)  
**Shutoffs:** (yyy), cccc, dddd, mmmm, nnnn, xxxxx, yyyyy, zzzzz, aaaaaa, xxxxxx



**Type:** DCDA                                    **Manufacturer:** Apollo/Conbraco                                    **Model:** DCDALF4AN  
**Size:** 3    **Orientation:** VUVD    **Meters:** (P),G,H,I,J,K,L,M,N,O,Q,T  
**Manual:** 10                                        **0.25% Pb:** Yes    **Spare Parts Only:** No  
**Approved:** 08-Apr-2014                        **Renewed:** 08-Apr-2020    **Bypass:** Apollo DCLF4A 1/2" (H)  
**Shutoffs:** (yyy), cccc, dddd, mmmm, nnnn, xxxxx, yyyyy, zzzzz, aaaaaa, xxxxxx

---

**Type:** DCDA                                    **Manufacturer:** Apollo/Conbraco                                    **Model:** DCDALF4AN  
**Size:** 4    **Orientation:** VUVD    **Meters:** (P),G,H,I,J,K,L,M,N,O,Q,T  
**Manual:** 10                                        **0.25% Pb:** Yes    **Spare Parts Only:** No  
**Approved:** 23-Jan-2014                        **Renewed:** 23-Jan-2020    **Bypass:** Apollo DCLF4A 1/2" (H)  
**Shutoffs:** (yyy), cccc, dddd, mmmm, nnnn, xxxxx, yyyyy, zzzzz, aaaaaa, xxxxxx

---

**Type:** DCDA                                    **Manufacturer:** Apollo/Conbraco                                    **Model:** DCDALF4AN  
**Size:** 6    **Orientation:** VUVD    **Meters:** (P),G,H,I,J,K,L,M,N,O,Q,T  
**Manual:** 10                                        **0.25% Pb:** Yes    **Spare Parts Only:** No  
**Approved:** 10-Jun-2014                        **Renewed:** 10-Jun-2020    **Bypass:** Apollo DCLF4A 1/2" (H)  
**Shutoffs:** (yyy), cccc, dddd, mmmm, nnnn, xxxxx, yyyyy, zzzzz, aaaaaa, xxxxxx

---

**Type:** DCDA                                    **Manufacturer:** Apollo/Conbraco                                    **Model:** DCDALF4AN  
**Size:** 8    **Orientation:** VUVD    **Meters:** (P),G,H,I,J,K,L,M,N,O,Q,T  
**Manual:** 10                                        **0.25% Pb:** Yes    **Spare Parts Only:** No  
**Approved:** 14-Mar-2014                        **Renewed:** 14-Mar-2020    **Bypass:** Apollo DCLF4A 1/2" (H)  
**Shutoffs:** (yyy), cccc, dddd, mmmm, nnnn, xxxxx, yyyyy, zzzzz, aaaaaa, xxxxxx

---

**Type:** DCDA                                    **Manufacturer:** Apollo/Conbraco                                    **Model:** DCDALF4AP  
**Size:** 8    **Orientation:** H    **Meters:** (P),G,H,I,J,K,L,M,N,O,Q,T  
**Manual:** 10                                        **0.25% Pb:** Yes    **Spare Parts Only:** No  
**Approved:** 30-Oct-2019                        **Renewed:**    **Bypass:** Apollo DCLF4A 1/2" (H)  
**Shutoffs:** (yyy), cccc, dddd, mmmm, nnnn, xxxxx, yyyyy, zzzzz, aaaaaa, xxxxxx

---

**Type:** DCDA                                    **Manufacturer:** Apollo/Conbraco                                    **Model:** DCDALF4AP  
**Size:** 8    **Orientation:** VU    **Meters:** (P),G,H,I,J,K,L,M,N,O,Q,T  
**Manual:** 10                                        **0.25% Pb:** Yes    **Spare Parts Only:** No  
**Approved:** 30-Oct-2019                        **Renewed:**    **Bypass:** Apollo DCLF4A 1/2" (VU)  
**Shutoffs:** (yyy), cccc, dddd, mmmm, nnnn, xxxxx, yyyyy, zzzzz, aaaaaa, xxxxxx

**Type:** DCDA                                      **Manufacturer:** Apollo/Conbraco                                      **Model:** DCDALF4AR  
**Size:** 2 1/2                                      **Orientation:** H                                      **Meters:** (M),G,H,I,J,K,L,N,O,Q,T  
**Manual:** 10                                      **0.25% Pb:** Yes                                      **Spare Parts Only:** No  
**Approved:** 09-Nov-2015                                      **Renewed:** 09-Nov-2021                                      **Bypass:** Apollo/Conbraco DCLF4A 1/2"  
(H)  
**Shutoffs:** (cccc), dddd, mmmm, nnnn, xxxxx, yyyyy, zzzzz, aaaaaa  
**Notes:** Integral Stainless Steel grooved spool between the #2 ck and #2 SOV - assembly length: min. 34" and max. 47 1/8"

---

**Type:** DCDA                                      **Manufacturer:** Apollo/Conbraco                                      **Model:** DCDALF4AR  
**Size:** 2 1/2                                      **Orientation:** VU                                      **Meters:** (M),G,H,I,J,K,L,N,O,Q,T  
**Manual:** 10                                      **0.25% Pb:** Yes                                      **Spare Parts Only:** No  
**Approved:** 09-Nov-2015                                      **Renewed:** 09-Nov-2021                                      **Bypass:** Apollo/Conbraco DCLF4A 1/2"  
(VU)  
**Shutoffs:** (cccc), dddd, mmmm, nnnn, xxxxx, yyyyy, zzzzz, aaaaaa  
**Notes:** Integral Stainless Steel grooved spool between the #2 ck and #2 SOV - assembly length: min. 34" and max. 47 1/8"

---

**Type:** DCDA                                      **Manufacturer:** Apollo/Conbraco                                      **Model:** DCDALF4AR  
**Size:** 3                                      **Orientation:** H                                      **Meters:** (M),G,H,I,J,K,L,N,O,Q,T  
**Manual:** 10                                      **0.25% Pb:** Yes                                      **Spare Parts Only:** No  
**Approved:** 09-Nov-2015                                      **Renewed:** 09-Nov-2021                                      **Bypass:** Apollo/Conbraco DCLF4A 1/2"  
(H)  
**Shutoffs:** (cccc), dddd, mmmm, nnnn, xxxxx, yyyyy, zzzzz, aaaaaa  
**Notes:** Integral Stainless Steel grooved spool between the #2 ck and #2 SOV - assembly length: min. 35" and max. 48 1/8"

---

**Type:** DCDA                                      **Manufacturer:** Apollo/Conbraco                                      **Model:** DCDALF4AR  
**Size:** 3                                      **Orientation:** VU                                      **Meters:** (M),G,H,I,J,K,L,N,O,Q,T  
**Manual:** 10                                      **0.25% Pb:** Yes                                      **Spare Parts Only:** No  
**Approved:** 09-Nov-2015                                      **Renewed:** 09-Nov-2021                                      **Bypass:** Apollo/Conbraco DCLF4A 1/2"  
(VU)  
**Shutoffs:** (cccc), dddd, mmmm, nnnn, xxxxx, yyyyy, zzzzz, aaaaaa  
**Notes:** Integral Stainless Steel grooved spool between the #2 ck and #2 SOV - assembly length: min. 35" and max. 48 1/8"

---

**Type:** DCDA                                      **Manufacturer:** Apollo/Conbraco                                      **Model:** DCDALF4AR  
**Size:** 4    **Orientation:** H    **Meters:** (M),G,H,I,J,K,L,N,O,Q,T  
**Manual:** 10    **0.25% Pb:** Yes    **Spare Parts Only:** No  
**Approved:** 21-Sep-2015    **Renewed:** 21-Sep-2021    **Bypass:** Apollo/Conbraco DCLF4A 1/2"  
(H)  
**Shutoffs:** (cccc), dddd, mmmm, nnnn, xxxxx, yyyy, zzzzz, aaaaaa  
**Notes:** Integral Stainless Steel grooved spool between the #2 ck and #2 SOV - assembly length: min. 37 3/8" and max. 62 1/4"

---

**Type:** DCDA                                      **Manufacturer:** Apollo/Conbraco                                      **Model:** DCDALF4AR  
**Size:** 4    **Orientation:** VU    **Meters:** (M),G,H,I,J,K,L,N,O,Q,T  
**Manual:** 10    **0.25% Pb:** Yes    **Spare Parts Only:** No  
**Approved:** 21-Sep-2015    **Renewed:** 21-Sep-2021    **Bypass:** Apollo/Conbraco DCLF4A 1/2"  
(VU)  
**Shutoffs:** (cccc), dddd, mmmm, nnnn, xxxxx, yyyy, zzzzz, aaaaaa  
**Notes:** Integral Stainless Steel grooved spool between the #2 ck and #2 SOV - assembly length: min. 37 3/8" and max. 62 1/4"

---

**Type:** DCDA                                      **Manufacturer:** Apollo/Conbraco                                      **Model:** DCDALF4AR  
**Size:** 6    **Orientation:** H    **Meters:** (M),G,H,I,J,K,L,N,O,Q,T  
**Manual:** 10    **0.25% Pb:** Yes    **Spare Parts Only:** No  
**Approved:** 21-Sep-2015    **Renewed:** 21-Sep-2021    **Bypass:** Apollo/Conbraco DCLF4A 1/2"  
(H)  
**Shutoffs:** (cccc), dddd, mmmm, nnnn, xxxxx, yyyy, zzzzz, aaaaaa  
**Notes:** Integral Stainless Steel grooved spool between the #2 ck and #2 SOV - assembly length: min. 46" and max. 71 1/4"

---

**Type:** DCDA                                      **Manufacturer:** Apollo/Conbraco                                      **Model:** DCDALF4AR  
**Size:** 6    **Orientation:** VU    **Meters:** (M),G,H,I,J,K,L,N,O,Q,T  
**Manual:** 10    **0.25% Pb:** Yes    **Spare Parts Only:** No  
**Approved:** 21-Sep-2015    **Renewed:** 21-Sep-2021    **Bypass:** Apollo/Conbraco DCLF4A 1/2"  
(VU)  
**Shutoffs:** (cccc), dddd, mmmm, nnnn, xxxxx, yyyy, zzzzz, aaaaaa  
**Notes:** Integral Stainless Steel grooved spool between the #2 ck and #2 SOV - assembly length: min. 46" and max. 71 1/4"



---

<b>Type:</b> DCDA	<b>Manufacturer:</b> Febco	<b>Model:</b> 806 Type YD
<b>Size:</b> 8	<b>Orientation:</b>	<b>Meters:</b>
<b>Manual:</b>	<b>0.25% Pb:</b> No	<b>Spare Parts Only:</b> No
<b>Approved:</b>	<b>Renewed:</b>	<b>Bypass:</b>
<b>Notes:</b> model designation changed to 806YD		

---

<b>Type:</b> DCDA	<b>Manufacturer:</b> Febco	<b>Model:</b> 806 Type YD
<b>Size:</b> 10	<b>Orientation:</b>	<b>Meters:</b>
<b>Manual:</b>	<b>0.25% Pb:</b> No	<b>Spare Parts Only:</b> No
<b>Approved:</b>	<b>Renewed:</b>	<b>Bypass:</b>
<b>Notes:</b> model designation changed to 806YD		

---

<b>Type:</b> DCDA	<b>Manufacturer:</b> Febco	<b>Model:</b> 806YD
<b>Size:</b> 3	<b>Orientation:</b> H	<b>Meters:</b> (M),B,C,D,E,F,G,H,I,J,K,L,N,O,P,Q,T
<b>Manual:</b> 8	<b>0.25% Pb:</b> No	<b>Spare Parts Only:</b> Yes
<b>Approved:</b> 26-Sep-1988	<b>Renewed:</b> 26-Sep-2021	<b>Bypass:</b> Febco 805Y 3/4" (H), Febco 805YB 3/4"(H)
<b>Shutoffs:</b> (ff),mm,oo,pp,uu,zzz,ffff,gggg		
<b>Notes:</b> formerly 806 Type YD		

---

<b>Type:</b> DCDA	<b>Manufacturer:</b> Febco	<b>Model:</b> 806YD
<b>Size:</b> 4	<b>Orientation:</b> H	<b>Meters:</b> (F),A,B,C,D,E,G,H,I,J,K,L,M,N,O,P,Q,T
<b>Manual:</b> 7	<b>0.25% Pb:</b> No	<b>Spare Parts Only:</b> Yes
<b>Approved:</b> 10-Jul-1987	<b>Renewed:</b> 10-Jul-2020	<b>Bypass:</b> Febco 805Y 3/4" (H), Febco 805YB 3/4"(H)
<b>Shutoffs:</b> (ff),mm,oo,pp,uu,zzz,ffff,gggg		
<b>Notes:</b> formerly 806 Type YD		

---

<b>Type:</b> DCDA	<b>Manufacturer:</b> Febco	<b>Model:</b> 806YD
<b>Size:</b> 6	<b>Orientation:</b> H	<b>Meters:</b> (F),A,B,C,D,E,G,H,I,J,K,L,M,N,O,P,Q,T
<b>Manual:</b> 7	<b>0.25% Pb:</b> No	<b>Spare Parts Only:</b> Yes
<b>Approved:</b> 10-Jul-1987	<b>Renewed:</b> 10-Jul-2020	<b>Bypass:</b> Febco 805Y 3/4" (H), Febco 805YB 3/4"(H)
<b>Shutoffs:</b> (ff),mm,oo,pp,uu,zzz,ffff,gggg		
<b>Notes:</b> formerly 806 Type YD		

---

**Type:** DCDA                           **Manufacturer:** Febco                           **Model:** 806YD  
**Size:** 8                                   **Orientation:** H                                   **Meters:**  
  **0.25% Pb:** No                                   (F),A,B,C,D,E,G,H,I,J,K,L,M,N,O,P,Q,T  
**Manual:** 7                               **Spare Parts Only:** Yes  
**Approved:** 10-Jul-1987               **Renewed:** 10-Jul-2020                   **Bypass:** Febco 805Y 3/4" (H), Febco  
  805YB 3/4"(H)  
**Shutoffs:** (ff),mm,oo,pp,uu,zzz,ffff,gggg  
**Notes:** formerly 806 Type YD

---

**Type:** DCDA                           **Manufacturer:** Febco                           **Model:** 806YD  
**Size:** 10                                   **Orientation:** H                                   **Meters:**  
  **0.25% Pb:** No                                   (F),A,B,C,D,E,G,H,I,J,K,L,M,N,O,P,Q,T  
**Manual:** 7                               **Spare Parts Only:** Yes  
**Approved:** 10-Jul-1987               **Renewed:** 10-Jul-2020                   **Bypass:** Febco 805Y 3/4" (H), Febco  
  805YB 3/4"(H)  
**Shutoffs:** (ff),mm,oo,pp,uu,zzz,ffff,gggg  
**Notes:** formerly 806 Type YD

---

**Type:** DCDA                           **Manufacturer:** Febco                           **Model:** 856  
**Size:** 2 1/2                               **Orientation:** H                                   **Meters:**  
  **0.25% Pb:** No                                   (M),B,C,D,E,F,G,H,I,J,K,L,N,O,P,Q,T  
**Manual:** 8                               **Spare Parts Only:** Yes  
**Approved:** 19-Mar-1997               **Renewed:** 19-Mar-2021                   **Bypass:** Febco 805YB 3/4" (H)  
**Shutoffs:** (ff),mm,oo,pp,uu,zzz,cccc,ffff,gggg

---

**Type:** DCDA                           **Manufacturer:** Febco                           **Model:** 856  
**Size:** 2 1/2                               **Orientation:** VU                               **Meters:**  
  **0.25% Pb:** No                                   (M),B,C,D,E,F,G,H,I,J,K,L,N,O,P,Q,T  
**Manual:** 8                               **Spare Parts Only:** Yes  
**Approved:** 05-Jan-2000               **Renewed:** 05-Jan-2020                   **Bypass:** Febco 805YB 3/4" (VU)  
**Shutoffs:** (ff),mm,oo,pp,uu,zzz,cccc,ffff,gggg

---

**Type:** DCDA                           **Manufacturer:** Febco                           **Model:** 856  
**Size:** 3                                     **Orientation:** H                                   **Meters:**  
  **0.25% Pb:** No                                   (M),B,C,D,E,F,G,H,I,J,K,L,N,O,P,Q,T  
**Manual:** 8                               **Spare Parts Only:** Yes  
**Approved:** 19-Mar-1997               **Renewed:** 19-Mar-2021                   **Bypass:** Febco 805YB 3/4" (H)  
**Shutoffs:** (ff),mm,oo,pp,uu,zzz,cccc,ffff,gggg

**Type:** DCDA                      **Manufacturer:** Febco                      **Model:** 856  
**Size:** 3                            **Orientation:** VU                            **Meters:**  
(M),B,C,D,E,F,G,H,I,J,K,L,N,O,P,Q,T  
**Manual:** 8                            **0.25% Pb:** No                            **Spare Parts Only:** Yes  
**Approved:** 05-Jan-2000                      **Renewed:** 05-Jan-2020                      **Bypass:** Febco 805YB 3/4" (VU)  
**Shutoffs:** (ff),mm,oo,pp,uu,zzz,cccc,ffff,gggg

---

**Type:** DCDA                      **Manufacturer:** Febco                      **Model:** 856  
**Size:** 4                            **Orientation:** H                            **Meters:**  
(M),B,C,D,E,F,G,H,I,J,K,L,N,O,P,Q,T  
**Manual:** 8                            **0.25% Pb:** No                            **Spare Parts Only:** Yes  
**Approved:** 04-May-1994                      **Renewed:** 04-May-2021                      **Bypass:** Febco 805YB 3/4" (H)  
**Shutoffs:** (ff),mm,oo,pp,uu,nnn,zzz,cccc,ffff,gggg

---

**Type:** DCDA                      **Manufacturer:** Febco                      **Model:** 856  
**Size:** 4                            **Orientation:** VU                            **Meters:**  
(M),B,C,D,E,F,G,H,I,J,K,L,N,O,P,Q,T  
**Manual:** 8                            **0.25% Pb:** No                            **Spare Parts Only:** Yes  
**Approved:** 16-Apr-1996                      **Renewed:** 16-Apr-2020                      **Bypass:** Febco 805YB 3/4" (VU)  
**Shutoffs:** (ff),mm,oo,pp,uu,nnn,zzz,cccc,ffff,gggg

---

**Type:** DCDA                      **Manufacturer:** Febco                      **Model:** 856  
**Size:** 6                            **Orientation:** H                            **Meters:**  
(M),B,C,D,E,F,G,H,I,J,K,L,N,O,P,Q,T  
**Manual:** 8                            **0.25% Pb:** No                            **Spare Parts Only:** Yes  
**Approved:** 04-May-1994                      **Renewed:** 04-May-2021                      **Bypass:** Febco 805YB 3/4" (H)  
**Shutoffs:** (ff),mm,oo,pp,uu,nnn,zzz,cccc,ffff,gggg

---

**Type:** DCDA                      **Manufacturer:** Febco                      **Model:** 856  
**Size:** 6                            **Orientation:** VU                            **Meters:**  
(M),B,C,D,E,F,G,H,I,J,K,L,N,O,P,Q,T  
**Manual:** 8                            **0.25% Pb:** No                            **Spare Parts Only:** Yes  
**Approved:** 16-Apr-1996                      **Renewed:** 16-Apr-2020                      **Bypass:** Febco 805YB 3/4" (VU)  
**Shutoffs:** (ff),mm,oo,pp,uu,nnn,zzz,cccc,ffff,gggg

---

**Type:** DCDA                      **Manufacturer:** Febco                      **Model:** 856  
**Size:** 8                            **Orientation:** H                            **Meters:**  
(M),B,C,D,E,F,G,H,I,J,K,L,N,O,P,Q,T  
**Manual:** 8                            **0.25% Pb:** No                            **Spare Parts Only:** Yes  
**Approved:** 04-Oct-1995                      **Renewed:** 04-Oct-2019                      **Bypass:** Febco 805YB 3/4" (H)  
**Shutoffs:** (ff),mm,oo,pp,uu,nnn,zzz,cccc,ffff,gggg

**Type:** DCDA                                      **Manufacturer:** Febco                                      **Model:** 856  
**Size:** 8    **Orientation:** VU    **Meters:**  
(M),B,C,D,E,F,G,H,I,J,K,L,N,O,P,Q,T  
**Manual:** 8    **0.25% Pb:** No    **Spare Parts Only:** Yes  
**Approved:** 05-Jan-2000                                      **Renewed:** 05-Jan-2020                                      **Bypass:** Febco 805YB 3/4" (VU)  
**Shutoffs:** (ff),mm,oo,pp,uu,nnn,zzz,cccc,ffff,gggg

---

**Type:** DCDA                                      **Manufacturer:** Febco                                      **Model:** 856ST  
**Size:** 2 1/2    **Orientation:** H    **Meters:** (O),G,H,I,J,K,L,M,N,P,Q,T  
**Manual:** 9    **0.25% Pb:** No    **Spare Parts Only:** Yes  
**Approved:** 22-May-2012                                      **Renewed:** 22-May-2021                                      **Bypass:** Watts 719QT 3/4" (H)  
**Shutoffs:** (ll),mm,oo,pp,zzz,cccc,dddd,eeee,ffff,gggg,nnnnn

---

**Type:** DCDA                                      **Manufacturer:** Febco                                      **Model:** 856ST  
**Size:** 2 1/2    **Orientation:** VU    **Meters:** (O),G,H,I,J,K,L,M,N,P,Q,T  
**Manual:** 9    **0.25% Pb:** No    **Spare Parts Only:** Yes  
**Approved:** 22-May-2012                                      **Renewed:** 22-May-2021                                      **Bypass:** Watts 719QT 3/4" (VU)  
**Shutoffs:** (ll),mm,oo,pp,zzz,cccc,dddd,eeee,ffff,gggg,nnnnn

---

**Type:** DCDA                                      **Manufacturer:** Febco                                      **Model:** 856ST  
**Size:** 3    **Orientation:** H    **Meters:** (O),H,I,J,K,L,M,N,P,Q  
**Manual:** 9    **0.25% Pb:** No    **Spare Parts Only:** Yes  
**Approved:** 22-May-2012                                      **Renewed:** 22-May-2021                                      **Bypass:** Watts 719QT 3/4" (H)  
**Shutoffs:** (ll),mm,oo,pp,zzz,cccc,dddd,eeee,ffff,gggg,nnnnn

---

**Type:** DCDA                                      **Manufacturer:** Febco                                      **Model:** 856ST  
**Size:** 3    **Orientation:** VU    **Meters:** (O),H,I,J,K,L,M,N,P,Q  
**Manual:** 9    **0.25% Pb:** No    **Spare Parts Only:** Yes  
**Approved:** 22-May-2012                                      **Renewed:** 22-May-2021                                      **Bypass:** Watts 719QT 3/4" (VU)  
**Shutoffs:** (ll),mm,oo,pp,zzz,cccc,dddd,eeee,ffff,gggg,nnnnn

---

**Type:** DCDA                                      **Manufacturer:** Febco                                      **Model:** 856ST  
**Size:** 4    **Orientation:** H    **Meters:** (O),H,I,J,K,L,M,N,P,Q  
**Manual:** 9    **0.25% Pb:** No    **Spare Parts Only:** Yes  
**Approved:** 22-May-2012                                      **Renewed:** 22-May-2021                                      **Bypass:** Watts 719QT 3/4" (H)  
**Shutoffs:** (ll),mm,oo,pp,zzz,cccc,dddd,eeee,ffff,gggg,nnnnn



**Type:** DCDA                                    **Manufacturer:** Febco                                    **Model:** 856ST  
**Size:** 4    **Orientation:** VU    **Meters:** (O),H,I,J,K,L,M,N,P,Q  
**Manual:** 9    **0.25% Pb:** No    **Spare Parts Only:** Yes  
**Approved:** 22-May-2012                                    **Renewed:** 22-May-2021                                    **Bypass:** Watts 719QT 3/4" (VU)  
**Shutoffs:** (ll),mm,oo,pp,zzz,cccc,dddd,eeee,ffff,gggg,nnnnn

---

**Type:** DCDA                                    **Manufacturer:** Febco                                    **Model:** 856ST  
**Size:** 6    **Orientation:** H    **Meters:** (O),H,I,J,K,L,M,N,P,Q  
**Manual:** 9    **0.25% Pb:** No    **Spare Parts Only:** Yes  
**Approved:** 22-May-2012                                    **Renewed:** 22-May-2021                                    **Bypass:** Watts 719QT 3/4" (H)  
**Shutoffs:** (ll),mm,oo,pp,zzz,cccc,dddd,eeee,ffff,gggg,nnnnn

---

**Type:** DCDA                                    **Manufacturer:** Febco                                    **Model:** 856ST  
**Size:** 6    **Orientation:** VU    **Meters:** (O),H,I,J,K,L,M,N,P,Q  
**Manual:** 9    **0.25% Pb:** No    **Spare Parts Only:** Yes  
**Approved:** 09-Aug-2012                                    **Renewed:** 09-Aug-2021                                    **Bypass:** Watts 719QT 3/4" (H)  
**Shutoffs:** (ll),mm,oo,pp,zzz,cccc,dddd,eeee,ffff,gggg,nnnnn

---

**Type:** DCDA                                    **Manufacturer:** Febco                                    **Model:** 856ST  
**Size:** 8    **Orientation:** H    **Meters:** (O),H,I,J,K,L,M,N,P,Q  
**Manual:** 9    **0.25% Pb:** No    **Spare Parts Only:** Yes  
**Approved:** 22-May-2012                                    **Renewed:** 22-May-2021                                    **Bypass:** Watts 719QT 3/4" (H)  
**Shutoffs:** (ll),mm,oo,pp,zzz,cccc,dddd,eeee,ffff,gggg,nnnnn

---

**Type:** DCDA                                    **Manufacturer:** Febco                                    **Model:** 856ST  
**Size:** 8    **Orientation:** VU    **Meters:** (O),H,I,J,K,L,M,N,P,Q  
**Manual:** 9    **0.25% Pb:** No    **Spare Parts Only:** Yes  
**Approved:** 09-Aug-2012                                    **Renewed:** 09-Aug-2021                                    **Bypass:** Watts 719QT 3/4" (H)  
**Shutoffs:** (ll),mm,oo,pp,zzz,cccc,dddd,eeee,ffff,gggg,nnnnn

---

**Type:** DCDA                                    **Manufacturer:** Febco                                    **Model:** 856ST  
**Size:** 10    **Orientation:** H    **Meters:** (O),H,I,J,K,L,M,N,P,Q  
**Manual:** 9    **0.25% Pb:** No    **Spare Parts Only:** No  
**Approved:** 03-Sep-2013                                    **Renewed:** 03-Sep-2022                                    **Bypass:** Watts 719QT 3/4" (H)  
**Shutoffs:** (ll),mm,oo,pp,zzz,cccc,dddd,eeee,ffff,gggg,nnnnn

---

**Type:** DCDA                                    **Manufacturer:** Febco                                    **Model:** 856ST  
**Size:** 10    **Orientation:** VU    **Meters:** (O),H,I,J,K,L,M,N,P,Q  
**Manual:** 9    **0.25% Pb:** No    **Spare Parts Only:** No  
**Approved:** 03-Sep-2013                                    **Renewed:** 03-Sep-2022                                    **Bypass:** Watts 719QT 3/4" (H)  
**Shutoffs:** (ll),mm,oo,pp,zzz,cccc,dddd,eeee,ffff,gggg,nnnnn

<b>Type:</b> DCDA	<b>Manufacturer:</b> Febco	<b>Model:</b> 858
<b>Size:</b> 2	<b>Orientation:</b> H	<b>Meters:</b> (H),A,B,C,D,E,F,G,I,J,K,L,M,N,O,P,Q,T
<b>Manual:</b> 9	<b>0.25% Pb:</b> No	<b>Spare Parts Only:</b> Yes
<b>Approved:</b> 01-Aug-2006	<b>Renewed:</b> 01-Aug-2021	<b>Bypass:</b> Watts 007QT 1/2" (H)
<b>Shutoffs:</b> bbb,jjjj		

---

<b>Type:</b> DCDA	<b>Manufacturer:</b> Febco	<b>Model:</b> 858
<b>Size:</b> 2	<b>Orientation:</b> VU	<b>Meters:</b> (H),A,B,C,D,E,F,G,I,J,K,L,M,N,O,P,Q,T
<b>Manual:</b> 9	<b>0.25% Pb:</b> No	<b>Spare Parts Only:</b> Yes
<b>Approved:</b> 01-Aug-2006	<b>Renewed:</b> 01-Aug-2021	<b>Bypass:</b> Watts 007QT 1/2" (VU)
<b>Shutoffs:</b> bbb,jjjj		

---

<b>Type:</b> DCDA	<b>Manufacturer:</b> Febco	<b>Model:</b> 858
<b>Size:</b> 2 1/2	<b>Orientation:</b> H	<b>Meters:</b> (H),D,E,F,G,I,J,K,L,M,N,O,P,Q,T
<b>Manual:</b> 8	<b>0.25% Pb:</b> No	<b>Spare Parts Only:</b> Yes
<b>Approved:</b> 01-Aug-2006	<b>Renewed:</b> 01-Aug-2021	<b>Bypass:</b> Watts 007M2QT 3/4" (H), Watts 007M1QT 3/4" (H)
<b>Shutoffs:</b> (pp), gg, hh,ll, mm, oo, tt, uu, zz, fff		

---

<b>Type:</b> DCDA	<b>Manufacturer:</b> Febco	<b>Model:</b> 858
<b>Size:</b> 2 1/2	<b>Orientation:</b> VU	<b>Meters:</b> (H),D,E,F,G,I,J,K,L,M,N,O,P,Q,T
<b>Manual:</b> 8	<b>0.25% Pb:</b> No	<b>Spare Parts Only:</b> Yes
<b>Approved:</b> 01-Aug-2006	<b>Renewed:</b> 01-Aug-2021	<b>Bypass:</b> Watts 007M2QT 3/4" (VU)
<b>Shutoffs:</b> (pp), gg, hh,ll, mm, oo, tt, uu, zz, fff		

---

<b>Type:</b> DCDA	<b>Manufacturer:</b> Febco	<b>Model:</b> 858
<b>Size:</b> 3	<b>Orientation:</b> H	<b>Meters:</b> (H),D,E,F,G,I,J,K,L,M,N,O,P,Q,T
<b>Manual:</b> 8	<b>0.25% Pb:</b> No	<b>Spare Parts Only:</b> Yes
<b>Approved:</b> 01-Aug-2006	<b>Renewed:</b> 01-Aug-2021	<b>Bypass:</b> Watts 007M2QT 3/4" (H), Watts 007M1QT 3/4" (H)
<b>Shutoffs:</b> (pp), gg, hh,ll, mm, oo, tt, uu, zz, fff		

---

**Type:** DCDA                                      **Manufacturer:** Febco                                      **Model:** 876  
**Size:** 2 1/2                                      **Orientation:** VUVD                                      **Meters:**  
(M),B,C,D,E,F,G,H,I,J,K,L,N,O,P,Q,T  
**Manual:** 8                                      **0.25% Pb:** No                                      **Spare Parts Only:** Yes  
**Approved:** 10-Mar-1995                                      **Renewed:** 10-Mar-2022                                      **Bypass:** Febco 805YB 3/4" (H)  
**Shutoffs:** ff,mm,oo,pp,uu,cccc,zzz,ffff,gggg

---

**Type:** DCDA                                      **Manufacturer:** Febco                                      **Model:** 876  
**Size:** 3                                      **Orientation:** VUVD                                      **Meters:**  
(M),B,C,D,E,F,G,H,I,J,K,L,N,O,P,Q,T  
**Manual:** 8                                      **0.25% Pb:** No                                      **Spare Parts Only:** Yes  
**Approved:** 10-Mar-1995                                      **Renewed:** 10-Mar-2022                                      **Bypass:** Febco 805YB 3/4" (H)  
**Shutoffs:** ff,mm,oo,pp,uu,cccc,zzz,ffff,gggg

---

**Type:** DCDA                                      **Manufacturer:** Febco                                      **Model:** 876  
**Size:** 4                                      **Orientation:** VUVD                                      **Meters:**  
(M),B,C,D,E,F,G,H,I,J,K,L,N,O,P,Q,T  
**Manual:** 8                                      **0.25% Pb:** No                                      **Spare Parts Only:** Yes  
**Approved:** 04-May-1994                                      **Renewed:** 04-May-2021                                      **Bypass:** Febco 805YB 3/4" (H)  
**Shutoffs:** ff,mm,oo,pp,uu,cccc,zzz,ffff,gggg

---

**Type:** DCDA                                      **Manufacturer:** Febco                                      **Model:** 876  
**Size:** 6                                      **Orientation:** VUVD                                      **Meters:**  
(M),B,C,D,E,F,G,H,I,J,K,L,N,O,P,Q,T  
**Manual:** 8                                      **0.25% Pb:** No                                      **Spare Parts Only:** Yes  
**Approved:** 04-May-1994                                      **Renewed:** 04-May-2021                                      **Bypass:** Febco 805YB 3/4" (H)  
**Shutoffs:** ff,mm,oo,pp,uu,cccc,zzz,ffff,gggg

---

**Type:** DCDA                                      **Manufacturer:** Febco                                      **Model:** 876  
**Size:** 8                                      **Orientation:** VUVD                                      **Meters:**  
(M),B,C,D,E,F,G,H,I,J,K,L,N,O,P,Q,T  
**Manual:** 8                                      **0.25% Pb:** No                                      **Spare Parts Only:** Yes  
**Approved:** 24-May-1995                                      **Renewed:** 24-May-2022                                      **Bypass:** Febco 805YB 3/4" (H)  
**Shutoffs:** ff,mm,oo,pp,uu,cccc,zzz,ffff,gggg

---

**Type:** DCDA                                      **Manufacturer:** Febco                                      **Model:** 876  
**Size:** 10                                      **Orientation:** VUVD                                      **Meters:**  
(M),B,C,D,E,F,G,H,I,J,K,L,N,O,P,Q,T  
**Manual:** 8                                      **0.25% Pb:** No                                      **Spare Parts Only:** Yes  
**Approved:** 04-Oct-1996                                      **Renewed:** 04-Oct-2020                                      **Bypass:** Febco 805YB 3/4" (H)  
**Shutoffs:** ff,mm,oo,pp,uu,cccc,zzz,ffff,gggg

**Type:** DCDA                              **Manufacturer:** Febco                              **Model:** 876V  
**Size:** 2 1/2                              **Orientation:** VUVD                              **Meters:**  
(M),B,C,D,E,F,G,H,I,J,K,L,N,O,P,Q,T  
**Manual:** 8                              **0.25% Pb:** No                              **Spare Parts Only:** Yes  
**Approved:** 08-Mar-1996                              **Renewed:** 08-Mar-2020                              **Bypass:** Febco 805YB 3/4" (H)  
**Shutoffs:** (ff),ee,ll,mm,oo,pp,tt,uu,zzz,ffff,gggg

---

**Type:** DCDA                              **Manufacturer:** Febco                              **Model:** 876V  
**Size:** 2 1/2                              **Orientation:** VUVU                              **Meters:**  
(M),B,C,D,E,F,G,H,I,J,K,L,N,O,P,Q,T  
**Manual:** 8                              **0.25% Pb:** No                              **Spare Parts Only:** Yes  
**Approved:** 08-Mar-1996                              **Renewed:** 08-Mar-2020                              **Bypass:** Febco 805YB 3/4" (H)  
**Shutoffs:** (ff),ee,ll,mm,oo,pp,tt,uu,zzz,ffff,gggg

---

**Type:** DCDA                              **Manufacturer:** Febco                              **Model:** 876V  
**Size:** 3                              **Orientation:** VUVD                              **Meters:**  
(M),B,C,D,E,F,G,H,I,J,K,L,N,O,P,Q,T  
**Manual:** 8                              **0.25% Pb:** No                              **Spare Parts Only:** Yes  
**Approved:** 08-Mar-1996                              **Renewed:** 08-Mar-2020                              **Bypass:** Febco 805YB 3/4" (H)  
**Shutoffs:** (ff),ee,ll,mm,oo,pp,tt,uu,zzz,ffff,gggg

---

**Type:** DCDA                              **Manufacturer:** Febco                              **Model:** 876V  
**Size:** 3                              **Orientation:** VUVU                              **Meters:**  
(M),B,C,D,E,F,G,H,I,J,K,L,N,O,P,Q,T  
**Manual:** 8                              **0.25% Pb:** No                              **Spare Parts Only:** Yes  
**Approved:** 08-Mar-1996                              **Renewed:** 08-Mar-2020                              **Bypass:** Febco 805YB 3/4" (H)  
**Shutoffs:** (ff),ee,ll,mm,oo,pp,tt,uu,zzz,ffff,gggg

---

**Type:** DCDA                              **Manufacturer:** Febco                              **Model:** 876V  
**Size:** 4                              **Orientation:** VUVD                              **Meters:**  
(M),B,C,D,E,F,G,H,I,J,K,L,N,O,P,Q,T  
**Manual:** 8                              **0.25% Pb:** No                              **Spare Parts Only:** Yes  
**Approved:** 08-Mar-1996                              **Renewed:** 08-Mar-2020                              **Bypass:** Febco 805YB 3/4" (H)  
**Shutoffs:** (ff),ee,ll,mm,oo,pp,tt,uu,zzz,ffff,gggg

---

**Type:** DCDA                              **Manufacturer:** Febco                              **Model:** 876V  
**Size:** 4                              **Orientation:** VUVU                              **Meters:**  
(M),B,C,D,E,F,G,H,I,J,K,L,N,O,P,Q,T  
**Manual:** 8                              **0.25% Pb:** No                              **Spare Parts Only:** Yes  
**Approved:** 08-Mar-1996                              **Renewed:** 08-Mar-2020                              **Bypass:** Febco 805YB 3/4" (H)  
**Shutoffs:** (ff),ee,ll,mm,oo,pp,tt,uu,zzz,ffff,gggg

**Type:** DCDA                                **Manufacturer:** Febco                                **Model:** 876V  
**Size:** 6    **Orientation:** VUVD                                **Meters:**  
(M),B,C,D,E,F,G,H,I,J,K,L,N,O,P,Q,T  
**Manual:** 8    **0.25% Pb:** No                                **Spare Parts Only:** Yes  
**Approved:** 08-Mar-1996                                **Renewed:** 08-Mar-2020                                **Bypass:** Febco 805YB 3/4" (H)  
**Shutoffs:** (ff),ee,ll,mm,oo,pp,tt,uu,zzz,ffff,gggg

---

**Type:** DCDA                                **Manufacturer:** Febco                                **Model:** 876V  
**Size:** 6    **Orientation:** VUVU                                **Meters:**  
(M),B,C,D,E,F,G,H,I,J,K,L,N,O,P,Q,T  
**Manual:** 8    **0.25% Pb:** No                                **Spare Parts Only:** Yes  
**Approved:** 08-Mar-1996                                **Renewed:** 08-Mar-2020                                **Bypass:** Febco 805YB 3/4" (H)  
**Shutoffs:** (ff),ee,ll,mm,oo,pp,tt,uu,zzz,ffff,gggg

---

**Type:** DCDA                                **Manufacturer:** Febco                                **Model:** 876V  
**Size:** 8    **Orientation:** VUVD                                **Meters:**  
(M),B,C,D,E,F,G,H,I,J,K,L,N,O,P,Q,T  
**Manual:** 8    **0.25% Pb:** No                                **Spare Parts Only:** Yes  
**Approved:** 06-Jan-1997                                **Renewed:** 06-Jan-2020                                **Bypass:** Febco 805YB 3/4" (H)  
**Shutoffs:** (ff),mm,oo,pp,uu,zzz,ffff,gggg

---

**Type:** DCDA                                **Manufacturer:** Febco                                **Model:** 876V  
**Size:** 8    **Orientation:** VUVU                                **Meters:**  
(M),B,C,D,E,F,G,H,I,J,K,L,N,O,P,Q,T  
**Manual:** 8    **0.25% Pb:** No                                **Spare Parts Only:** Yes  
**Approved:** 06-Jan-1997                                **Renewed:** 06-Jan-2020                                **Bypass:** Febco 805YB 3/4" (H)  
**Shutoffs:** (ff),mm,oo,pp,uu,zzz,ffff,gggg

---

**Type:** DCDA                                **Manufacturer:** Febco                                **Model:** 876V  
**Size:** 10    **Orientation:** VUVD                                **Meters:**  
(M),B,C,D,E,F,G,H,I,J,K,L,N,O,P,Q,T  
**Manual:** 8    **0.25% Pb:** No                                **Spare Parts Only:** Yes  
**Approved:** 11-Jul-1997                                **Renewed:** 11-Jul-2021                                **Bypass:** Febco 805YB 3/4" (H)  
**Shutoffs:** (ee),ff,ll,mm,oo,pp,tt,uu,zzz,ffff,gggg

---

**Type:** DCDA                                **Manufacturer:** Febco                                **Model:** 876V  
**Size:** 10    **Orientation:** VUVU                                **Meters:**  
(M),B,C,D,E,F,G,H,I,J,K,L,N,O,P,Q,T  
**Manual:** 8    **0.25% Pb:** No                                **Spare Parts Only:** Yes  
**Approved:** 11-Jul-1997                                **Renewed:** 11-Jul-2021                                **Bypass:** Febco 805YB 3/4" (H)  
**Shutoffs:** (ee),ff,ll,mm,oo,pp,tt,uu,zzz,ffff,gggg

**Type:** DCDA                                 **Manufacturer:** Febco                                 **Model:** 876VST  
**Size:** 2 1/2                                 **Orientation:** VUVD                                 **Meters:** (O),G,H,I,J,K,L,M,N,P,Q,T  
**Manual:** 9                                 **0.25% Pb:** No                                 **Spare Parts Only:** Yes  
**Approved:** 22-May-2012                                 **Renewed:** 22-May-2021                                 **Bypass:** Watts 719QT 3/4" (H)  
**Shutoffs:** (ll),mm,oo,pp,zzz,cccc,dddd,eeee,ffff,gggg,nnnnn

---

**Type:** DCDA                                 **Manufacturer:** Febco                                 **Model:** 876VST  
**Size:** 2 1/2                                 **Orientation:** VUVU                                 **Meters:** (O),G,H,I,J,K,L,M,N,P,Q,T  
**Manual:** 9                                 **0.25% Pb:** No                                 **Spare Parts Only:** Yes  
**Approved:** 22-May-2012                                 **Renewed:** 22-May-2021                                 **Bypass:** Watts 719QT 3/4" (H)  
**Shutoffs:** (ll),mm,oo,pp,zzz,cccc,dddd,eeee,ffff,gggg,nnnnn

---

**Type:** DCDA                                 **Manufacturer:** Febco                                 **Model:** 876VST  
**Size:** 3                                 **Orientation:** VUVD                                 **Meters:** (O),H,I,J,K,L,M,N,P,Q  
**Manual:** 9                                 **0.25% Pb:** No                                 **Spare Parts Only:** Yes  
**Approved:** 22-May-2012                                 **Renewed:** 22-May-2021                                 **Bypass:** Watts 719QT 3/4" (H)  
**Shutoffs:** (ll),mm,oo,pp,zzz,cccc,dddd,eeee,ffff,gggg,nnnnn

---

**Type:** DCDA                                 **Manufacturer:** Febco                                 **Model:** 876VST  
**Size:** 3                                 **Orientation:** VUVU                                 **Meters:** (O),H,I,J,K,L,M,N,P,Q  
**Manual:** 9                                 **0.25% Pb:** No                                 **Spare Parts Only:** Yes  
**Approved:** 22-May-2012                                 **Renewed:** 22-May-2021                                 **Bypass:** Watts 719QT 3/4" (H)  
**Shutoffs:** (ll),mm,oo,pp,zzz,cccc,dddd,eeee,ffff,gggg,nnnnn

---

**Type:** DCDA                                 **Manufacturer:** Febco                                 **Model:** 876VST  
**Size:** 4                                 **Orientation:** VUVD                                 **Meters:** (O),H,I,J,K,L,M,N,P,Q  
**Manual:** 9                                 **0.25% Pb:** No                                 **Spare Parts Only:** Yes  
**Approved:** 22-May-2012                                 **Renewed:** 22-May-2021                                 **Bypass:** Watts 719QT 3/4" (H)  
**Shutoffs:** (ll),mm,oo,pp,zzz,cccc,dddd,eeee,ffff,gggg,nnnnn

---

**Type:** DCDA                                 **Manufacturer:** Febco                                 **Model:** 876VST  
**Size:** 4                                 **Orientation:** VUVU                                 **Meters:** (O),H,I,J,K,L,M,N,P,Q  
**Manual:** 9                                 **0.25% Pb:** No                                 **Spare Parts Only:** Yes  
**Approved:** 22-May-2012                                 **Renewed:** 22-May-2021                                 **Bypass:** Watts 719QT 3/4" (H)  
**Shutoffs:** (ll),mm,oo,pp,zzz,cccc,dddd,eeee,ffff,gggg,nnnnn

---

**Type:** DCDA                                 **Manufacturer:** Febco                                 **Model:** 876VST  
**Size:** 6                                 **Orientation:** VUVD                                 **Meters:** (O),H,I,J,K,L,M,N,P,Q  
**Manual:** 9                                 **0.25% Pb:** No                                 **Spare Parts Only:** Yes  
**Approved:** 22-May-2012                                 **Renewed:** 22-May-2021                                 **Bypass:** Watts 719QT 3/4" (H)  
**Shutoffs:** (ll),mm,oo,pp,zzz,cccc,dddd,eeee,ffff,gggg,nnnnn

**Type:** DCDA                                   **Manufacturer:** Febco                                   **Model:** 876VST  
**Size:** 6   **Orientation:** VUVU                                   **Meters:** (O),H,I,J,K,L,M,N,P,Q  
**Manual:** 9                                       **0.25% Pb:** No                                       **Spare Parts Only:** Yes  
**Approved:** 22-May-2012                   **Renewed:** 22-May-2021                           **Bypass:** Watts 719QT 3/4" (H)  
**Shutoffs:** (ll),mm,oo,pp,zzz,cccc,dddd,eeee,ffff,gggg,nnnnn

---

**Type:** DCDA                                   **Manufacturer:** Febco                                   **Model:** 876VST  
**Size:** 8   **Orientation:** VUVD                                   **Meters:** (O),H,I,J,K,L,M,N,P,Q  
**Manual:** 9                                       **0.25% Pb:** No                                       **Spare Parts Only:** Yes  
**Approved:** 22-May-2012                   **Renewed:** 22-May-2021                           **Bypass:** Watts 719QT 3/4" (H)  
**Shutoffs:** (ll),mm,oo,pp,zzz,cccc,dddd,eeee,ffff,gggg,nnnnn

---

**Type:** DCDA                                   **Manufacturer:** Febco                                   **Model:** 876VST  
**Size:** 8   **Orientation:** VUVU                                   **Meters:** (O),H,I,J,K,L,M,N,P,Q  
**Manual:** 9                                       **0.25% Pb:** No                                       **Spare Parts Only:** Yes  
**Approved:** 22-May-2012                   **Renewed:** 22-May-2021                           **Bypass:** Watts 719QT 3/4" (H)  
**Shutoffs:** (ll),mm,oo,pp,zzz,cccc,dddd,eeee,ffff,gggg,nnnnn

---

**Type:** DCDA                                   **Manufacturer:** Watts                                   **Model:** 007DCDA  
**Size:** 2   **Orientation:** H                                       **Meters:**  
(H),A,B,C,D,E,F,G,I,J,K,L,M,N,O,P,Q,T,  
U  
**Manual:** 9                                       **0.25% Pb:** No                                       **Spare Parts Only:** Yes  
**Approved:** 16-Jun-1997                   **Renewed:** 16-Jun-2021                           **Bypass:** Watts 007QT 1/2" (H)  
**Shutoffs:** (bbb),jjjj,rrrrr  
**Notes:** Previously Approved 8th Ed. (19 Apr 1996)

---

**Type:** DCDA                                   **Manufacturer:** Watts                                   **Model:** 007DCDA  
**Size:** 2   **Orientation:** VU                                       **Meters:**  
(H),A,B,C,D,E,F,G,I,J,K,L,M,N,O,P,Q,T,  
U  
**Manual:** 9                                       **0.25% Pb:** No                                       **Spare Parts Only:** Yes  
**Approved:** 16-Jun-1997                   **Renewed:** 16-Jun-2021                           **Bypass:** Watts 007QT 1/2" (VU)  
**Shutoffs:** (bbb),jjjj,rrrrr  
**Notes:** Previously Approved 8th Ed. (10 Sept 1996)

**Type:** DCDA                                    **Manufacturer:** Watts                                    **Model:** 007DCDA  
**Size:** 2 1/2                                    **Orientation:** H                                    **Meters:**  
(H),D,E,F,G,I,J,K,L,M,N,O,P,Q,T,U  
**Manual:** 8                                    **0.25% Pb:** No                                    **Spare Parts Only:** No  
**Approved:** 11-Oct-1993                                    **Renewed:** 11-Oct-2020                                    **Bypass:** Watts 007M2QT 3/4" (H),  
Watts 007M1QT 3/4" (H)  
**Shutoffs:** (pp),gg,hh,ll,mm,oo,tt,uu,zz,ffff,gggg

---

**Type:** DCDA                                    **Manufacturer:** Watts                                    **Model:** 007DCDA  
**Size:** 2 1/2                                    **Orientation:** VU                                    **Meters:**  
(H),D,E,F,G,I,J,K,L,M,N,O,P,Q,T,U  
**Manual:** 8                                    **0.25% Pb:** No                                    **Spare Parts Only:** No  
**Approved:** 27-Aug-1996                                    **Renewed:** 27-Aug-2020                                    **Bypass:** Watts 007M2QT 3/4" (VU)  
**Shutoffs:** (pp),gg,hh,ll,mm,oo,tt,uu,zz,ffff,gggg

---

**Type:** DCDA                                    **Manufacturer:** Watts                                    **Model:** 007DCDA  
**Size:** 3                                    **Orientation:** H                                    **Meters:**  
(H),D,E,F,G,I,J,K,L,M,N,O,P,Q,T,U  
**Manual:** 8                                    **0.25% Pb:** No                                    **Spare Parts Only:** No  
**Approved:** 19-Sep-1992                                    **Renewed:** 19-Sep-2019                                    **Bypass:** Watts 007M2QT 3/4" (H),  
Watts 007M1QT 3/4" (H)  
**Shutoffs:** (pp),hh,mm,uu,zz,ffff,gggg

---

**Type:** DCDA                                    **Manufacturer:** Watts                                    **Model:** 007DCDA-FP  
**Size:** 2                                    **Orientation:** H                                    **Meters:**  
(H),A,B,C,D,E,F,G,I,J,K,L,M,N,O,P,Q,T,  
U  
**Manual:** 9                                    **0.25% Pb:** No                                    **Spare Parts Only:** No  
**Approved:** 01-Sep-2009                                    **Renewed:** 01-Sep-2021                                    **Bypass:** Ames 2000B 1/2" (H), Watts  
007QT 1/2" (H)  
**Shutoffs:** (eeee)

---

**Type:** DCDA                                    **Manufacturer:** Watts                                    **Model:** 007M1DCDA  
**Size:** 2                                    **Orientation:** H                                    **Meters:**  
(H),A,B,C,D,E,F,G,I,J,K,L,M,N,O,P,Q,T,  
U  
**Manual:** 9                                    **0.25% Pb:** No                                    **Spare Parts Only:** No  
**Approved:** 19-Jun-2015                                    **Renewed:** 19-Jun-2021                                    **Bypass:** Watts 007QT 1/2" (H)  
**Shutoffs:** (eeee), bbb, jjjj,rrrr



<b>Type:</b> DCDA	<b>Manufacturer:</b> Watts	<b>Model:</b> 007M1DCDA
<b>Size:</b> 2	<b>Orientation:</b> VU	<b>Meters:</b> (H),A,B,C,D,E,F,G,I,J,K,L,M,N,O,P,Q,T, U
<b>Manual:</b> 9	<b>0.25% Pb:</b> No	<b>Spare Parts Only:</b> No
<b>Approved:</b> 19-Jun-2015	<b>Renewed:</b> 19-Jun-2021	<b>Bypass:</b> Watts 007QT 1/2" (VU)
<b>Shutoffs:</b> (eeee), bbb, jjjj,rrrrr		

---

<b>Type:</b> DCDA	<b>Manufacturer:</b> Watts	<b>Model:</b> 709DCDA
<b>Size:</b> 3	<b>Orientation:</b> H	<b>Meters:</b> (N),B,C,D,E,F,G,H,I,J,K,L,M,O,P,Q,T,U
<b>Manual:</b> 6	<b>0.25% Pb:</b> No	<b>Spare Parts Only:</b> No
<b>Approved:</b> 19-Apr-1987	<b>Renewed:</b> 19-Apr-2020	<b>Bypass:</b> Watts 007QT 1/2" (H), Watts 007M1QT 3/4" (H), Watts 709QT 3/4" (H)
<b>Shutoffs:</b> (pp),hh,uu,zz,eee,ffff,gggg		
<b>Notes:</b> formerly 709DDC		

---

<b>Type:</b> DCDA	<b>Manufacturer:</b> Watts	<b>Model:</b> 709DCDA
<b>Size:</b> 4	<b>Orientation:</b> H	<b>Meters:</b> (N),A,B,C,D,E,F,G,H,I,J,K,L,M,O,P,Q,T, U
<b>Manual:</b> 6	<b>0.25% Pb:</b> No	<b>Spare Parts Only:</b> No
<b>Approved:</b> 27-Jul-1987	<b>Renewed:</b> 27-Jul-2020	<b>Bypass:</b> Watts 007QT 1/2" (H), Watts 007M1QT 3/4" (H), Watts 709QT 3/4" (H)
<b>Shutoffs:</b> (pp),hh,uu,zz,eee,ffff,gggg		
<b>Notes:</b> formerly 709DDC		

---

<b>Type:</b> DCDA	<b>Manufacturer:</b> Watts	<b>Model:</b> 709DCDA
<b>Size:</b> 4	<b>Orientation:</b> VU	<b>Meters:</b> (N),A,B,C,D,E,F,G,H,I,J,K,L,M,O,P,Q,T, U
<b>Manual:</b> 8	<b>0.25% Pb:</b> No	<b>Spare Parts Only:</b> No
<b>Approved:</b> 27-Aug-1996	<b>Renewed:</b> 27-Aug-2020	<b>Bypass:</b> Watts 007QT 1/2" (VU), Watts 007M2QT 3/4" (VU)
<b>Shutoffs:</b> (pp),hh,uu,zz,eee,ffff,gggg		
<b>Notes:</b> formerly 709DDC		

**Type:** DCDA                                  **Manufacturer:** Watts                                  **Model:** 709DCDA  
**Size:** 6    **Orientation:** H    **Meters:** (N),A,B,C,D,E,F,G,H,I,J,K,L,M,O,P,Q,T,U  
**Manual:** 6    **0.25% Pb:** No    **Spare Parts Only:** No  
**Approved:** 27-Jul-1987                                  **Renewed:** 27-Jul-2020                                  **Bypass:** Watts 007QT 1/2" (H), Watts 007M1QT 3/4" (H), Watts 709QT 3/4" (H)  
**Shutoffs:** (pp),hh,uu,zz,eee,ffff,gggg  
**Notes:** formerly 709DDC

---

**Type:** DCDA                                  **Manufacturer:** Watts                                  **Model:** 709DCDA  
**Size:** 6    **Orientation:** VU    **Meters:** (H),A,B,C,D,E,F,G,I,J,K,L,M,N,O,P,Q,T,U  
**Manual:** 8    **0.25% Pb:** No    **Spare Parts Only:** No  
**Approved:** 05-Dec-1996                                  **Renewed:** 05-Dec-2020                                  **Bypass:** Watts 007QT 1/2" (VU)  
**Shutoffs:** (pp),hh,mm,uu,zz,eee,ffff,gggg

---

**Type:** DCDA                                  **Manufacturer:** Watts                                  **Model:** 709DCDA  
**Size:** 8    **Orientation:** H    **Meters:** (N),A,B,C,D,E,F,G,H,I,J,K,L,M,O,P,Q,T,U  
**Manual:** 6    **0.25% Pb:** No    **Spare Parts Only:** No  
**Approved:** 19-Apr-1987                                  **Renewed:** 19-Apr-2020                                  **Bypass:** Watts 007QT 1/2" (H), Watts 007M1QT 3/4" (H), Watts 709QT 3/4" (H)  
**Shutoffs:** (pp),hh,mm,uu,zz,eee,ffff,gggg  
**Notes:** formerly 709DDC

---

**Type:** DCDA                                  **Manufacturer:** Watts                                  **Model:** 709DCDA  
**Size:** 8    **Orientation:** VU    **Meters:** (H),A,B,C,D,E,F,G,I,J,K,L,M,N,O,P,Q,T,U  
**Manual:** 8    **0.25% Pb:** No    **Spare Parts Only:** No  
**Approved:** 05-Dec-1996                                  **Renewed:** 05-Dec-2020                                  **Bypass:** Watts 007QT 1/2" (VU)  
**Shutoffs:** (pp),hh,mm,uu,zz,eee,ffff,gggg

**Type:** DCDA                                    **Manufacturer:** Watts                                    **Model:** 709DCDA  
**Size:** 10    **Orientation:** H    **Meters:**  
(N),E,F,G,H,I,J,K,L,M,O,P,Q,T,U  
**Manual:** 6    **0.25% Pb:** No    **Spare Parts Only:** No  
**Approved:** 27-Jul-1987                                    **Renewed:** 27-Jul-2020                                    **Bypass:** Watts 007QT 1/2" (H), Watts  
007M1QT 3/4" (H), Watts 709QT 3/4"  
(H)  
**Shutoffs:** (pp),hh,mm,uu,zz,eee,fff,ggg  
**Notes:** formerly 709DDC

---

**Type:** DCDA                                    **Manufacturer:** Watts                                    **Model:** 709DCDA  
**Size:** 10    **Orientation:** VU    **Meters:**  
(H),A,B,C,D,E,F,G,I,J,K,L,M,N,O,P,Q,T,  
U  
**Manual:** 8    **0.25% Pb:** No    **Spare Parts Only:** No  
**Approved:** 05-Dec-1996                                    **Renewed:** 05-Dec-2020                                    **Bypass:** Watts 007QT 1/2" (VU)  
**Shutoffs:** (pp),hh,mm,uu,zz,eee,fff,ggg

---

**Type:** DCDA                                    **Manufacturer:** Watts                                    **Model:** 709DDC  
**Size:** 3    **Orientation:**    **Meters:**  
**Manual:**    **0.25% Pb:** No    **Spare Parts Only:** No  
**Approved:**    **Renewed:**    **Bypass:**  
**Notes:** model designation changed to 709DCDA

---

**Type:** DCDA                                    **Manufacturer:** Watts                                    **Model:** 709DDC  
**Size:** 4    **Orientation:**    **Meters:**  
**Manual:**    **0.25% Pb:** No    **Spare Parts Only:** No  
**Approved:**    **Renewed:**    **Bypass:**  
**Notes:** model designation changed to 709DCDA

---

**Type:** DCDA                                    **Manufacturer:** Watts                                    **Model:** 709DDC  
**Size:** 4    **Orientation:**    **Meters:**  
**Manual:**    **0.25% Pb:** No    **Spare Parts Only:** No  
**Approved:**    **Renewed:**    **Bypass:**  
**Notes:** model designation changed to 709DCDA

---

**Type:** DCDA                                    **Manufacturer:** Watts                                    **Model:** 709DDC  
**Size:** 6    **Orientation:**    **Meters:**  
**Manual:**    **0.25% Pb:** No    **Spare Parts Only:** No  
**Approved:**    **Renewed:**    **Bypass:**  
**Notes:** model designation changed to 709DCDA

**Type:** DCDA                                    **Manufacturer:** Watts                                    **Model:** 709DDC  
**Size:** 8    **Orientation:**    **Meters:**  
**Manual:**                                        **0.25% Pb:** No                                        **Spare Parts Only:** No  
**Approved:**                                      **Renewed:**    **Bypass:**  
**Notes:** model designation changed to 709DCDA

---

**Type:** DCDA                                    **Manufacturer:** Watts                                    **Model:** 709DDC  
**Size:** 10    **Orientation:**    **Meters:**  
**Manual:**                                        **0.25% Pb:** No                                        **Spare Parts Only:** No  
**Approved:**                                      **Renewed:**    **Bypass:**  
**Notes:** model designation changed to 709DCDA

---

**Type:** DCDA                                    **Manufacturer:** Watts                                    **Model:** 757aDCDABF  
**Size:** 2 1/2                                        **Orientation:** H    **Meters:** (N),G,H,I,J,K,L,M,O,P,Q,T  
**Manual:** 9                                        **0.25% Pb:** No                                        **Spare Parts Only:** Yes  
**Approved:** 06-Nov-2003                                    **Renewed:** 06-Nov-2021                                    **Bypass:** Watts 007M3QT 3/4" (H)  
**Shutoffs:** (yyy)

---

**Type:** DCDA                                    **Manufacturer:** Watts                                    **Model:** 757aDCDABF  
**Size:** 2 1/2                                        **Orientation:** VU    **Meters:** (N),G,H,I,J,K,L,M,O,P,Q,T  
**Manual:** 9                                        **0.25% Pb:** No                                        **Spare Parts Only:** Yes  
**Approved:** 06-Nov-2003                                    **Renewed:** 06-Nov-2021                                    **Bypass:** Watts 007M3QT 3/4" (VU)  
**Shutoffs:** (yyy)

---

**Type:** DCDA                                    **Manufacturer:** Watts                                    **Model:** 757aDCDABF  
**Size:** 3    **Orientation:** H    **Meters:** (N),G,H,I,J,K,L,M,O,P,Q,T  
**Manual:** 9                                        **0.25% Pb:** No                                        **Spare Parts Only:** Yes  
**Approved:** 06-Nov-2003                                    **Renewed:** 06-Nov-2021                                    **Bypass:** Watts 007M3QT 3/4" (H)  
**Shutoffs:** (yyy)

---

**Type:** DCDA                                    **Manufacturer:** Watts                                    **Model:** 757aDCDABF  
**Size:** 3    **Orientation:** VU    **Meters:** (N),G,H,I,J,K,L,M,O,P,Q,T  
**Manual:** 9                                        **0.25% Pb:** No                                        **Spare Parts Only:** Yes  
**Approved:** 06-Nov-2003                                    **Renewed:** 06-Nov-2021                                    **Bypass:** Watts 007M3QT 3/4" (VU)  
**Shutoffs:** (yyy)

---

**Type:** DCDA                                    **Manufacturer:** Watts                                    **Model:** 757aDCDABF  
**Size:** 4    **Orientation:** H    **Meters:** (N),G,H,I,J,K,L,M,O,P,Q,T  
**Manual:** 9                                        **0.25% Pb:** No                                        **Spare Parts Only:** Yes  
**Approved:** 06-Nov-2003                                    **Renewed:** 06-Nov-2021                                    **Bypass:** Watts 007M3QT 3/4" (H)  
**Shutoffs:** (yyy)

**Type:** DCDA  
**Size:** 4  
**Manual:** 9  
**Approved:** 06-Nov-2003  
**Shutoffs:** (yyy)

**Manufacturer:** Watts  
**Orientation:** VU  
**0.25% Pb:** No  
**Renewed:** 06-Nov-2021

**Model:** 757aDCDABF  
**Meters:** (N),G,H,I,J,K,L,M,O,P,Q,T  
**Spare Parts Only:** Yes  
**Bypass:** Watts 007M3QT 3/4" (VU)

---

**Type:** DCDA  
**Size:** 6  
**Manual:** 9  
**Approved:** 03-Nov-2004  
**Shutoffs:** (yyy)

**Manufacturer:** Watts  
**Orientation:** H  
**0.25% Pb:** No  
**Renewed:** 03-Nov-2019

**Model:** 757aDCDABF  
**Meters:** (N),G,H,I,J,K,L,M,O,P,Q,T  
**Spare Parts Only:** Yes  
**Bypass:** Watts 007M3QT 3/4" (H)

---

**Type:** DCDA  
**Size:** 6  
**Manual:** 9  
**Approved:** 18-Jan-2005  
**Shutoffs:** (yyy)

**Manufacturer:** Watts  
**Orientation:** VU  
**0.25% Pb:** No  
**Renewed:** 18-Jan-2020

**Model:** 757aDCDABF  
**Meters:** (N),G,H,I,J,K,L,M,O,P,Q,T  
**Spare Parts Only:** Yes  
**Bypass:** Watts 007M3QT 3/4" (VU)

---

**Type:** DCDA  
**Size:** 2 1/2  
**Manual:** 9  
**Approved:** 06-Nov-2003  
**Shutoffs:** (zzz)

**Manufacturer:** Watts  
**Orientation:** H  
**0.25% Pb:** No  
**Renewed:** 06-Nov-2021

**Model:** 757aDCDAGV  
**Meters:** (N),G,H,I,J,K,L,M,O,P,Q,T  
**Spare Parts Only:** Yes  
**Bypass:** Watts 007M3QT 3/4" (H)

---

**Type:** DCDA  
**Size:** 2 1/2  
**Manual:** 9  
**Approved:** 06-Nov-2003  
**Shutoffs:** (zzz)

**Manufacturer:** Watts  
**Orientation:** VU  
**0.25% Pb:** No  
**Renewed:** 06-Nov-2021

**Model:** 757aDCDAGV  
**Meters:** (N),G,H,I,J,K,L,M,O,P,Q,T  
**Spare Parts Only:** Yes  
**Bypass:** Watts 007M3QT 3/4" (VU)

---

**Type:** DCDA  
**Size:** 3  
**Manual:** 9  
**Approved:** 06-Nov-2003  
**Shutoffs:** (zzz)

**Manufacturer:** Watts  
**Orientation:** H  
**0.25% Pb:** No  
**Renewed:** 06-Nov-2021

**Model:** 757aDCDAGV  
**Meters:** (N),G,H,I,J,K,L,M,O,P,Q,T  
**Spare Parts Only:** Yes  
**Bypass:** Watts 007M3QT 3/4" (H)

---

**Type:** DCDA  
**Size:** 3  
**Manual:** 9  
**Approved:** 06-Nov-2003  
**Shutoffs:** (zzz)

**Manufacturer:** Watts  
**Orientation:** VU  
**0.25% Pb:** No  
**Renewed:** 06-Nov-2021

**Model:** 757aDCDAGV  
**Meters:** (N),G,H,I,J,K,L,M,O,P,Q,T  
**Spare Parts Only:** Yes  
**Bypass:** Watts 007M3QT 3/4" (VU)

**Type:** DCDA  
**Size:** 4  
**Manual:** 9  
**Approved:** 06-Nov-2003  
**Shutoffs:** (zzz)

**Manufacturer:** Watts  
**Orientation:** H  
**0.25% Pb:** No  
**Renewed:** 06-Nov-2021

**Model:** 757aDCDAGV  
**Meters:** (N),G,H,I,J,K,L,M,O,P,Q,T  
**Spare Parts Only:** Yes  
**Bypass:** Watts 007M3QT 3/4" (H)

---

**Type:** DCDA  
**Size:** 4  
**Manual:** 9  
**Approved:** 06-Nov-2003  
**Shutoffs:** (zzz)

**Manufacturer:** Watts  
**Orientation:** VU  
**0.25% Pb:** No  
**Renewed:** 06-Nov-2021

**Model:** 757aDCDAGV  
**Meters:** (N),G,H,I,J,K,L,M,O,P,Q,T  
**Spare Parts Only:** Yes  
**Bypass:** Watts 007M3QT 3/4" (VU)

---

**Type:** DCDA  
**Size:** 6  
**Manual:** 9  
**Approved:** 18-Jan-2005  
**Shutoffs:** (zzz)

**Manufacturer:** Watts  
**Orientation:** H  
**0.25% Pb:** No  
**Renewed:** 18-Jan-2020

**Model:** 757aDCDAGV  
**Meters:** (N),G,H,I,J,K,L,M,O,P,Q,T  
**Spare Parts Only:** Yes  
**Bypass:** Watts 007M3QT 3/4" (VU)

---

**Type:** DCDA  
**Size:** 6  
**Manual:** 9  
**Approved:** 18-Jan-2005  
**Shutoffs:** (zzz)

**Manufacturer:** Watts  
**Orientation:** VU  
**0.25% Pb:** No  
**Renewed:** 18-Jan-2020

**Model:** 757aDCDAGV  
**Meters:** (N),G,H,I,J,K,L,M,O,P,Q,T  
**Spare Parts Only:** Yes  
**Bypass:** Watts 007M3QT 3/4" (VU)

---

**Type:** DCDA  
**Size:** 2 1/2  
**Manual:** 9  
**Approved:** 04-Oct-2005  
**Shutoffs:** (yyy)

**Manufacturer:** Watts  
**Orientation:** H  
**0.25% Pb:** No  
**Renewed:** 04-Oct-2020

**Model:** 757DCDABF  
**Meters:** (N),G,H,I,J,K,L,M,O,P,Q,T  
**Spare Parts Only:** No  
**Bypass:** Watts 007M3QT 3/4" (H)

---

**Type:** DCDA  
**Size:** 2 1/2  
**Manual:** 9  
**Approved:** 04-Oct-2005  
**Shutoffs:** (yyy)

**Manufacturer:** Watts  
**Orientation:** VU  
**0.25% Pb:** No  
**Renewed:** 04-Oct-2020

**Model:** 757DCDABF  
**Meters:** (N),G,H,I,J,K,L,M,O,P,Q,T  
**Spare Parts Only:** No  
**Bypass:** Watts 007M3QT 3/4" (V)

---

**Type:** DCDA  
**Size:** 3  
**Manual:** 9  
**Approved:** 04-Oct-2005  
**Shutoffs:** (yyy)

**Manufacturer:** Watts  
**Orientation:** H  
**0.25% Pb:** No  
**Renewed:** 04-Oct-2020

**Model:** 757DCDABF  
**Meters:** (N),G,H,I,J,K,L,M,O,P,Q,T  
**Spare Parts Only:** No  
**Bypass:** Watts 007M3QT 3/4" (H)

**Type:** DCDA  
**Size:** 3  
**Manual:** 9  
**Approved:** 04-Oct-2005  
**Shutoffs:** (yyy)

**Manufacturer:** Watts  
**Orientation:** VU  
**0.25% Pb:** No  
**Renewed:** 04-Oct-2020

**Model:** 757DCDABF  
**Meters:** (N),G,H,I,J,K,L,M,O,P,Q,T  
**Spare Parts Only:** No  
**Bypass:** Watts 007M3QT 3/4" (V)

---

**Type:** DCDA  
**Size:** 4  
**Manual:** 9  
**Approved:** 04-Oct-2005  
**Shutoffs:** (yyy)

**Manufacturer:** Watts  
**Orientation:** H  
**0.25% Pb:** No  
**Renewed:** 04-Oct-2020

**Model:** 757DCDABF  
**Meters:** (N),G,H,I,J,K,L,M,O,P,Q,T  
**Spare Parts Only:** No  
**Bypass:** Watts 007M3QT 3/4" (H)

---

**Type:** DCDA  
**Size:** 4  
**Manual:** 9  
**Approved:** 04-Oct-2005  
**Shutoffs:** (yyy)

**Manufacturer:** Watts  
**Orientation:** VU  
**0.25% Pb:** No  
**Renewed:** 04-Oct-2020

**Model:** 757DCDABF  
**Meters:** (N),G,H,I,J,K,L,M,O,P,Q,T  
**Spare Parts Only:** No  
**Bypass:** Watts 007M3QT 3/4" (V)

---

**Type:** DCDA  
**Size:** 6  
**Manual:** 9  
**Approved:** 19-Mar-2007  
**Shutoffs:** (yyy)

**Manufacturer:** Watts  
**Orientation:** H  
**0.25% Pb:** No  
**Renewed:** 23-Mar-2022

**Model:** 757DCDABF  
**Meters:** (N),G,H,I,J,K,L,M,O,P,Q,T  
**Spare Parts Only:** No  
**Bypass:** Watts 007M3QT 3/4" (H )

---

**Type:** DCDA  
**Size:** 6  
**Manual:** 9  
**Approved:** 19-Mar-2007  
**Shutoffs:** (yyy)

**Manufacturer:** Watts  
**Orientation:** VU  
**0.25% Pb:** No  
**Renewed:** 23-Mar-2022

**Model:** 757DCDABF  
**Meters:** (N),G,H,I,J,K,L,M,O,P,Q,T  
**Spare Parts Only:** No  
**Bypass:** Watts 007M3QT 3/4" (VU)

---

**Type:** DCDA  
**Size:** 8  
**Manual:** 9  
**Approved:** 09-Mar-2007  
**Shutoffs:** (yyy)

**Manufacturer:** Watts  
**Orientation:** H  
**0.25% Pb:** No  
**Renewed:** 09-Mar-2022

**Model:** 757DCDABF  
**Meters:** (N),G,H,I,J,K,L,M,O,P,Q,T  
**Spare Parts Only:** No  
**Bypass:** Watts 007M3QT 3/4" (H & VU)

---

**Type:** DCDA  
**Size:** 8  
**Manual:** 9  
**Approved:** 09-Mar-2007  
**Shutoffs:** (yyy)

**Manufacturer:** Watts  
**Orientation:** VU  
**0.25% Pb:** No  
**Renewed:** 09-Mar-2022

**Model:** 757DCDABF  
**Meters:** (N),G,H,I,J,K,L,M,O,P,Q,T  
**Spare Parts Only:** No  
**Bypass:** Watts 007M3QT 3/4" (H & VU)

<b>Type:</b> DCDA	<b>Manufacturer:</b> Watts	<b>Model:</b> 757DCDABF
<b>Size:</b> 10	<b>Orientation:</b> H	<b>Meters:</b> (N),G,H,I,J,K,L,M,O,P,Q,T
<b>Manual:</b> 9	<b>0.25% Pb:</b> No	<b>Spare Parts Only:</b> No
<b>Approved:</b> 17-Sep-2009	<b>Renewed:</b> 17-Sep-2021	<b>Bypass:</b> Watts 007M3QT 3/4" (H), Ames 2000 BM3 (H)
<b>Shutoffs:</b> (yyy)		

---

<b>Type:</b> DCDA	<b>Manufacturer:</b> Watts	<b>Model:</b> 757DCDABF
<b>Size:</b> 10	<b>Orientation:</b> VU	<b>Meters:</b> (N),G,H,I,J,K,L,M,O,P,Q,T
<b>Manual:</b> 9	<b>0.25% Pb:</b> No	<b>Spare Parts Only:</b> No
<b>Approved:</b> 17-Sep-2009	<b>Renewed:</b> 17-Sep-2021	<b>Bypass:</b> Watts 007M3QT 3/4" (V), Ames 2000 BM3 (V)
<b>Shutoffs:</b> (yyy)		

---

<b>Type:</b> DCDA	<b>Manufacturer:</b> Watts	<b>Model:</b> 757DCDAGV
<b>Size:</b> 2 1/2	<b>Orientation:</b> H	<b>Meters:</b> (N),G,H,I,J,K,L,M,O,P,Q,T
<b>Manual:</b> 9	<b>0.25% Pb:</b> No	<b>Spare Parts Only:</b> No
<b>Approved:</b> 04-Oct-2005	<b>Renewed:</b> 04-Oct-2020	<b>Bypass:</b> Watts 007M3QT 3/4" (H)
<b>Shutoffs:</b> (zzz)		

---

<b>Type:</b> DCDA	<b>Manufacturer:</b> Watts	<b>Model:</b> 757DCDAGV
<b>Size:</b> 2 1/2	<b>Orientation:</b> VU	<b>Meters:</b> (N),G,H,I,J,K,L,M,O,P,Q,T
<b>Manual:</b> 9	<b>0.25% Pb:</b> No	<b>Spare Parts Only:</b> No
<b>Approved:</b> 04-Oct-2005	<b>Renewed:</b> 04-Oct-2020	<b>Bypass:</b> Watts 007M3QT 3/4" (V)
<b>Shutoffs:</b> (zzz)		

---

<b>Type:</b> DCDA	<b>Manufacturer:</b> Watts	<b>Model:</b> 757DCDAGV
<b>Size:</b> 3	<b>Orientation:</b> H	<b>Meters:</b> (N),G,H,I,J,K,L,M,O,P,Q,T
<b>Manual:</b> 9	<b>0.25% Pb:</b> No	<b>Spare Parts Only:</b> No
<b>Approved:</b> 04-Oct-2005	<b>Renewed:</b> 04-Oct-2020	<b>Bypass:</b> Watts 007M3QT 3/4" (H)
<b>Shutoffs:</b> (zzz)		

---

<b>Type:</b> DCDA	<b>Manufacturer:</b> Watts	<b>Model:</b> 757DCDAGV
<b>Size:</b> 3	<b>Orientation:</b> VU	<b>Meters:</b> (N),G,H,I,J,K,L,M,O,P,Q,T
<b>Manual:</b> 9	<b>0.25% Pb:</b> No	<b>Spare Parts Only:</b> No
<b>Approved:</b> 04-Oct-2005	<b>Renewed:</b> 04-Oct-2020	<b>Bypass:</b> Watts 007M3QT 3/4" (V)
<b>Shutoffs:</b> (zzz)		



<b>Type:</b> DCDA <b>Size:</b> 4 <b>Manual:</b> 9 <b>Approved:</b> 04-Oct-2005 <b>Shutoffs:</b> (zzz)	<b>Manufacturer:</b> Watts <b>Orientation:</b> H <b>0.25% Pb:</b> No <b>Renewed:</b> 04-Oct-2020	<b>Model:</b> 757DCDAGV <b>Meters:</b> (N),G,H,I,J,K,L,M,O,P,Q,T <b>Spare Parts Only:</b> No <b>Bypass:</b> Watts 007M3QT 3/4" (H)
<b>Type:</b> DCDA <b>Size:</b> 4 <b>Manual:</b> 9 <b>Approved:</b> 04-Oct-2005 <b>Shutoffs:</b> (zzz)	<b>Manufacturer:</b> Watts <b>Orientation:</b> VU <b>0.25% Pb:</b> No <b>Renewed:</b> 04-Oct-2020	<b>Model:</b> 757DCDAGV <b>Meters:</b> (N),G,H,I,J,K,L,M,O,P,Q,T <b>Spare Parts Only:</b> No <b>Bypass:</b> Watts 007M3QT 3/4" (V)
<b>Type:</b> DCDA <b>Size:</b> 6 <b>Manual:</b> 9 <b>Approved:</b> 19-Mar-2007 <b>Shutoffs:</b> (zzz)	<b>Manufacturer:</b> Watts <b>Orientation:</b> H <b>0.25% Pb:</b> No <b>Renewed:</b> 23-Mar-2022	<b>Model:</b> 757DCDAGV <b>Meters:</b> (N),G,H,I,J,K,L,M,O,P,Q,T <b>Spare Parts Only:</b> No <b>Bypass:</b> Watts 007M3QT 3/4" (H )
<b>Type:</b> DCDA <b>Size:</b> 6 <b>Manual:</b> 9 <b>Approved:</b> 19-Mar-2007 <b>Shutoffs:</b> (zzz)	<b>Manufacturer:</b> Watts <b>Orientation:</b> VU <b>0.25% Pb:</b> No <b>Renewed:</b> 23-Mar-2022	<b>Model:</b> 757DCDAGV <b>Meters:</b> (N),G,H,I,J,K,L,M,O,P,Q,T <b>Spare Parts Only:</b> No <b>Bypass:</b> Watts 007M3QT 3/4" (VU)
<b>Type:</b> DCDA <b>Size:</b> 8 <b>Manual:</b> 9 <b>Approved:</b> 09-Mar-2007 <b>Shutoffs:</b> (zzz)	<b>Manufacturer:</b> Watts <b>Orientation:</b> H <b>0.25% Pb:</b> No <b>Renewed:</b> 09-Mar-2022	<b>Model:</b> 757DCDAGV <b>Meters:</b> (N),G,H,I,J,K,L,M,O,P,Q,T <b>Spare Parts Only:</b> No <b>Bypass:</b> Watts 007M3QT 3/4" (H & VU)
<b>Type:</b> DCDA <b>Size:</b> 8 <b>Manual:</b> 9 <b>Approved:</b> 09-Mar-2007 <b>Shutoffs:</b> (zzz)	<b>Manufacturer:</b> Watts <b>Orientation:</b> VU <b>0.25% Pb:</b> No <b>Renewed:</b> 09-Mar-2022	<b>Model:</b> 757DCDAGV <b>Meters:</b> (N),G,H,I,J,K,L,M,O,P,Q,T <b>Spare Parts Only:</b> No <b>Bypass:</b> Watts 007M3QT 3/4" (H & VU)

**Type:** DCDA  
**Size:** 10  
**Manual:** 9  
**Approved:** 17-Sep-2009  
**Shutoffs:** (zzz)

**Manufacturer:** Watts  
**Orientation:** H  
**0.25% Pb:** No  
**Renewed:** 17-Sep-2021

**Model:** 757DCDAGV  
**Meters:** (N),G,H,I,J,K,L,M,O,P,Q,T  
**Spare Parts Only:** No  
**Bypass:** Watts 007M3QT 3/4" (H),  
Ames 2000 BM3 (H)

---

**Type:** DCDA  
**Size:** 10  
**Manual:** 9  
**Approved:** 17-Sep-2009  
**Shutoffs:** (zzz)

**Manufacturer:** Watts  
**Orientation:** VU  
**0.25% Pb:** No  
**Renewed:** 17-Sep-2021

**Model:** 757DCDAGV  
**Meters:** (N),G,H,I,J,K,L,M,O,P,Q,T  
**Spare Parts Only:** No  
**Bypass:** Watts 007M3QT 3/4" (V),  
Ames 2000 BM3 (V)

---

**Type:** DCDA  
**Size:** 2 1/2  
**Manual:** 9  
**Approved:** 07-Apr-2009  
**Shutoffs:** (yyy)

**Manufacturer:** Watts  
**Orientation:** VUVD  
**0.25% Pb:** No  
**Renewed:** 07-Apr-2021

**Model:** 757NDCDABF  
**Meters:** (N),G,H,I,J,K,L,M,O,P,Q,T  
**Spare Parts Only:** No  
**Bypass:** Watts 007M3QT 3/4" (H)

---

**Type:** DCDA  
**Size:** 3  
**Manual:** 9  
**Approved:** 07-Apr-2009  
**Shutoffs:** (yyy)

**Manufacturer:** Watts  
**Orientation:** VUVD  
**0.25% Pb:** No  
**Renewed:** 07-Apr-2021

**Model:** 757NDCDABF  
**Meters:** (N),G,H,I,J,K,L,M,O,P,Q,T  
**Spare Parts Only:** No  
**Bypass:** Watts 007M3QT 3/4" (H)

---

**Type:** DCDA  
**Size:** 4  
**Manual:** 9  
**Approved:** 07-Apr-2009  
**Shutoffs:** (yyy)

**Manufacturer:** Watts  
**Orientation:** VUVD  
**0.25% Pb:** No  
**Renewed:** 07-Apr-2021

**Model:** 757NDCDABF  
**Meters:** (N),G,H,I,J,K,L,M,O,P,Q,T  
**Spare Parts Only:** No  
**Bypass:** Watts 007M3QT 3/4" (H)

---

**Type:** DCDA  
**Size:** 6  
**Manual:** 9  
**Approved:** 07-Apr-2009  
**Shutoffs:** (yyy)

**Manufacturer:** Watts  
**Orientation:** VUVD  
**0.25% Pb:** No  
**Renewed:** 07-Apr-2021

**Model:** 757NDCDABF  
**Meters:** (N),G,H,I,J,K,L,M,O,P,Q,T  
**Spare Parts Only:** No  
**Bypass:** Watts 007M3QT 3/4" (H)

**Type:** DCDA                                **Manufacturer:** Watts                                **Model:** 757NDCCDABF  
**Size:** 8                                        **Orientation:** VUVD                                **Meters:** (N),G,H,I,J,K,L,M,O,P,Q,T  
**Manual:** 9                                      **0.25% Pb:** No                                        **Spare Parts Only:** No  
**Approved:** 03-Jan-2013                                **Renewed:** 03-Jan-2022                                **Bypass:** Watts 007M3QT 3/4" (H)  
**Shutoffs:** (yyy)

---

**Type:** DCDA                                **Manufacturer:** Watts                                **Model:** 757NDCCDABF  
**Size:** 10                                        **Orientation:** VUVD                                **Meters:** (N), H,I,J,K,L,M,N,O,P,Q  
**Manual:** 9                                      **0.25% Pb:** No                                        **Spare Parts Only:** No  
**Approved:** 28-May-2013                                **Renewed:** 28-May-2022                                **Bypass:** Watts 007M3QT 3/4" (H),  
Ames 2000BM3 3/4" (H)  
**Shutoffs:** (yyy)

---

**Type:** DCDA                                **Manufacturer:** Watts                                **Model:** 757NDCCDAGV  
**Size:** 2 1/2                                        **Orientation:** VUVD                                **Meters:** (N),G,H,I,J,K,L,M,O,P,Q,T  
**Manual:** 9                                      **0.25% Pb:** No                                        **Spare Parts Only:** No  
**Approved:** 07-Apr-2009                                **Renewed:** 07-Apr-2021                                **Bypass:** Watts 007M3QT 3/4" (H)  
**Shutoffs:** (zzz)

---

**Type:** DCDA                                **Manufacturer:** Watts                                **Model:** 757NDCCDAGV  
**Size:** 3    **Orientation:** VUVD                                **Meters:** (N),G,H,I,J,K,L,M,O,P,Q,T  
**Manual:** 9                                      **0.25% Pb:** No                                        **Spare Parts Only:** No  
**Approved:** 07-Apr-2009                                **Renewed:** 07-Apr-2021                                **Bypass:** Watts 007M3QT 3/4" (H)  
**Shutoffs:** (zzz)

---

**Type:** DCDA                                **Manufacturer:** Watts                                **Model:** 757NDCCDAGV  
**Size:** 4    **Orientation:** VUVD                                **Meters:** (N),G,H,I,J,K,L,M,O,P,Q,T  
**Manual:** 9                                      **0.25% Pb:** No                                        **Spare Parts Only:** No  
**Approved:** 07-Apr-2009                                **Renewed:** 07-Apr-2021                                **Bypass:** Watts 007M3QT 3/4" (H)  
**Shutoffs:** (zzz)

---

**Type:** DCDA                                **Manufacturer:** Watts                                **Model:** 757NDCCDAGV  
**Size:** 6    **Orientation:** VUVD                                **Meters:** (N),G,H,I,J,K,L,M,O,P,Q,T  
**Manual:** 9                                      **0.25% Pb:** No                                        **Spare Parts Only:** No  
**Approved:** 07-Apr-2009                                **Renewed:** 07-Apr-2021                                **Bypass:** Watts 007M3QT 3/4" (H)  
**Shutoffs:** (zzz)

**Type:** DCDA                      **Manufacturer:** Watts                      **Model:** 757NDCDAGV  
**Size:** 8                              **Orientation:** VUVD                      **Meters:** (N),G,H,I,J,K,L,M,O,P,Q,T  
**Manual:** 9                           **0.25% Pb:** No                           **Spare Parts Only:** No  
**Approved:** 03-Jan-2013           **Renewed:** 03-Jan-2022               **Bypass:** Watts 007M3QT 3/4" (H)  
**Shutoffs:** (zzz)

---

**Type:** DCDA                      **Manufacturer:** Watts                      **Model:** 757NDCDAGV  
**Size:** 10                              **Orientation:** VUVD                      **Meters:** (N), H,I,J,K,L,M,N,O,P,Q  
**Manual:** 9                           **0.25% Pb:** No                           **Spare Parts Only:** No  
**Approved:** 28-May-2013           **Renewed:** 28-May-2022               **Bypass:** Watts 007M3QT 3/4" (H),  
Ames 2000BM3 3/4" (H)  
**Shutoffs:** (zzz)

---

**Type:** DCDA                      **Manufacturer:** Watts                      **Model:** 767aDCDABF  
**Size:** 2 1/2                          **Orientation:** H                           **Meters:** (N),G,H,I,J,K,L,M,O,P,Q,T  
**Manual:** 9                           **0.25% Pb:** No                           **Spare Parts Only:** Yes  
**Approved:** 06-Nov-2003           **Renewed:** 06-Nov-2021               **Bypass:** Watts 007M3QT 3/4" (H)  
**Shutoffs:** (yyy)

---

**Type:** DCDA                      **Manufacturer:** Watts                      **Model:** 767aDCDABF  
**Size:** 2 1/2                          **Orientation:** VU                          **Meters:** (N),G,H,I,J,K,L,M,O,P,Q,T  
**Manual:** 9                           **0.25% Pb:** No                           **Spare Parts Only:** Yes  
**Approved:** 06-Nov-2003           **Renewed:** 06-Nov-2021               **Bypass:** Watts 007M3QT 3/4" (VU)  
**Shutoffs:** (yyy)

---

**Type:** DCDA                      **Manufacturer:** Watts                      **Model:** 767aDCDABF  
**Size:** 3                                **Orientation:** H                           **Meters:** (N),G,H,I,J,K,L,M,O,P,Q,T  
**Manual:** 9                           **0.25% Pb:** No                           **Spare Parts Only:** Yes  
**Approved:** 06-Nov-2003           **Renewed:** 06-Nov-2021               **Bypass:** Watts 007M3QT 3/4" (H)  
**Shutoffs:** (yyy)

---

**Type:** DCDA                      **Manufacturer:** Watts                      **Model:** 767aDCDABF  
**Size:** 3                                **Orientation:** VU                          **Meters:** (N),G,H,I,J,K,L,M,O,P,Q,T  
**Manual:** 9                           **0.25% Pb:** No                           **Spare Parts Only:** Yes  
**Approved:** 06-Nov-2003           **Renewed:** 06-Nov-2021               **Bypass:** Watts 007M3QT 3/4" (VU)  
**Shutoffs:** (yyy)

**Type:** DCDA                                **Manufacturer:** Watts                                **Model:** 767aDCDABF  
**Size:** 4    **Orientation:** H    **Meters:** (N),G,H,I,J,K,L,M,O,P,Q,T  
**Manual:** 9    **0.25% Pb:** No    **Spare Parts Only:** Yes  
**Approved:** 30-Aug-2006                                **Renewed:** 30-Aug-2021                                **Bypass:** Watts 007M3QT 3/4" (VU)  
**Shutoffs:** (yyy)

---

**Type:** DCDA                                **Manufacturer:** Watts                                **Model:** 767aDCDABF  
**Size:** 4    **Orientation:** VU    **Meters:** (N),G,H,I,J,K,L,M,O,P,Q,T  
**Manual:** 9    **0.25% Pb:** No    **Spare Parts Only:** Yes  
**Approved:** 18-Jan-2005                                **Renewed:** 18-Jan-2020                                **Bypass:** Watts 007M3QT 3/4" (VU)  
**Shutoffs:** (yyy)

---

**Type:** DCDA                                **Manufacturer:** Watts                                **Model:** 767aDCDAGV  
**Size:** 2 1/2    **Orientation:** H    **Meters:** (N),G,H,I,J,K,L,M,O,P,Q,T  
**Manual:** 9    **0.25% Pb:** No    **Spare Parts Only:** Yes  
**Approved:** 06-Nov-2003                                **Renewed:** 06-Nov-2021                                **Bypass:** Watts 007M3QT 3/4" (H)  
**Shutoffs:** (zzz)

---

**Type:** DCDA                                **Manufacturer:** Watts                                **Model:** 767aDCDAGV  
**Size:** 2 1/2    **Orientation:** VU    **Meters:** (N),G,H,I,J,K,L,M,O,P,Q,T  
**Manual:** 9    **0.25% Pb:** No    **Spare Parts Only:** Yes  
**Approved:** 06-Nov-2003                                **Renewed:** 06-Nov-2021                                **Bypass:** Watts 007M3QT 3/4" (VU)  
**Shutoffs:** (zzz)

---

**Type:** DCDA                                **Manufacturer:** Watts                                **Model:** 767aDCDAGV  
**Size:** 3    **Orientation:** H    **Meters:** (N),G,H,I,J,K,L,M,O,P,Q,T  
**Manual:** 9    **0.25% Pb:** No    **Spare Parts Only:** Yes  
**Approved:** 06-Nov-2003                                **Renewed:** 06-Nov-2021                                **Bypass:** Watts 007M3QT 3/4" (H)  
**Shutoffs:** (zzz)

---

**Type:** DCDA                                **Manufacturer:** Watts                                **Model:** 767aDCDAGV  
**Size:** 3    **Orientation:** VU    **Meters:** (N),G,H,I,J,K,L,M,O,P,Q,T  
**Manual:** 9    **0.25% Pb:** No    **Spare Parts Only:** Yes  
**Approved:** 06-Nov-2003                                **Renewed:** 06-Nov-2021                                **Bypass:** Watts 007M3QT 3/4" (VU)  
**Shutoffs:** (zzz)

---

**Type:** DCDA                                **Manufacturer:** Watts                                **Model:** 767aDCDAGV  
**Size:** 4    **Orientation:** H    **Meters:** (N),G,H,I,J,K,L,M,O,P,Q,T  
**Manual:** 9    **0.25% Pb:** No    **Spare Parts Only:** Yes  
**Approved:** 06-Nov-2003                                **Renewed:** 06-Nov-2021                                **Bypass:** Watts 007M3QT 3/4" (H)  
**Shutoffs:** (zzz)

**Type:** DCDA                      **Manufacturer:** Watts                      **Model:** 767aDCDAGV  
**Size:** 4                              **Orientation:** VU                              **Meters:** (N),G,H,I,J,K,L,M,O,P,Q,T  
**Manual:** 9                              **0.25% Pb:** No                              **Spare Parts Only:** Yes  
**Approved:** 18-Jan-2005                      **Renewed:** 18-Jan-2020                      **Bypass:** Watts 007M3QT 3/4" (VU)  
**Shutoffs:** (zzz)

---

**Type:** DCDA                      **Manufacturer:** Watts                      **Model:** 767DCDABF  
**Size:** 2 1/2                              **Orientation:** H                              **Meters:** (N),G,H,I,J,K,L,M,O,P,Q,T  
**Manual:** 9                              **0.25% Pb:** No                              **Spare Parts Only:** No  
**Approved:** 04-Oct-2005                      **Renewed:** 04-Oct-2020                      **Bypass:** Watts 007M3QT 3/4" (H)  
**Shutoffs:** (yyy)

---

**Type:** DCDA                      **Manufacturer:** Watts                      **Model:** 767DCDABF  
**Size:** 2 1/2                              **Orientation:** VU                              **Meters:** (N),G,H,I,J,K,L,M,O,P,Q,T  
**Manual:** 9                              **0.25% Pb:** No                              **Spare Parts Only:** No  
**Approved:** 04-Oct-2005                      **Renewed:** 04-Oct-2020                      **Bypass:** Watts 007M3QT 3/4" (V)  
**Shutoffs:** (yyy)

---

**Type:** DCDA                      **Manufacturer:** Watts                      **Model:** 767DCDABF  
**Size:** 3                                      **Orientation:** H                              **Meters:** (N),G,H,I,J,K,L,M,O,P,Q,T  
**Manual:** 9                              **0.25% Pb:** No                              **Spare Parts Only:** No  
**Approved:** 04-Oct-2005                      **Renewed:** 04-Oct-2020                      **Bypass:** Watts 007M3QT 3/4" (H)  
**Shutoffs:** (yyy)

---

**Type:** DCDA                      **Manufacturer:** Watts                      **Model:** 767DCDABF  
**Size:** 3                                      **Orientation:** VU                              **Meters:** (N),G,H,I,J,K,L,M,O,P,Q,T  
**Manual:** 9                              **0.25% Pb:** No                              **Spare Parts Only:** No  
**Approved:** 04-Oct-2005                      **Renewed:** 04-Oct-2020                      **Bypass:** Watts 007M3QT 3/4" (V)  
**Shutoffs:** (yyy)

---

**Type:** DCDA                      **Manufacturer:** Watts                      **Model:** 767DCDABF  
**Size:** 4                                      **Orientation:** H                              **Meters:** (N),G,H,I,J,K,L,M,O,P,Q,T  
**Manual:** 9                              **0.25% Pb:** No                              **Spare Parts Only:** No  
**Approved:** 19-Mar-2007                      **Renewed:** 23-Mar-2022                      **Bypass:** Watts 007M3QT 3/4" (H)  
**Shutoffs:** (yyy)

---

**Type:** DCDA                      **Manufacturer:** Watts                      **Model:** 767DCDABF  
**Size:** 4                                      **Orientation:** VU                              **Meters:** (N),G,H,I,J,K,L,M,O,P,Q,T  
**Manual:** 9                              **0.25% Pb:** No                              **Spare Parts Only:** No  
**Approved:** 19-Mar-2007                      **Renewed:** 23-Mar-2022                      **Bypass:** Watts 007M3QT 3/4" (VU)  
**Shutoffs:** (yyy)

**Type:** DCDA                                    **Manufacturer:** Watts                                    **Model:** 767DCDABF  
**Size:** 6    **Orientation:** H    **Meters:** (N),G,H,I,J,K,L,M,O,P,Q,T  
**Manual:** 9    **0.25% Pb:** No    **Spare Parts Only:** No  
**Approved:** 09-Mar-2007                                    **Renewed:** 09-Mar-2022                                    **Bypass:** Watts 007M3QT 3/4" (H & VU)  
**Shutoffs:** (yyy)

---

**Type:** DCDA                                    **Manufacturer:** Watts                                    **Model:** 767DCDABF  
**Size:** 6    **Orientation:** VU    **Meters:** (N),G,H,I,J,K,L,M,O,P,Q,T  
**Manual:** 9    **0.25% Pb:** No    **Spare Parts Only:** No  
**Approved:** 09-Mar-2007                                    **Renewed:** 09-Mar-2022                                    **Bypass:** Watts 007M3QT 3/4" (H & VU)  
**Shutoffs:** (yyy)

---

**Type:** DCDA                                    **Manufacturer:** Watts                                    **Model:** 767DCDABF  
**Size:** 8    **Orientation:** H    **Meters:** (N),G,H,I,J,K,L,M,O,P,Q,T  
**Manual:** 9    **0.25% Pb:** No    **Spare Parts Only:** No  
**Approved:** 17-Sep-2009                                    **Renewed:** 17-Sep-2021                                    **Bypass:** Watts 007M3QT 3/4" (H),  
Ames 2000 BM3 (H)  
**Shutoffs:** (yyy)

---

**Type:** DCDA                                    **Manufacturer:** Watts                                    **Model:** 767DCDABF  
**Size:** 8    **Orientation:** VU    **Meters:** (N),G,H,I,J,K,L,M,O,P,Q,T  
**Manual:** 9    **0.25% Pb:** No    **Spare Parts Only:** No  
**Approved:** 17-Sep-2009                                    **Renewed:** 17-Sep-2021                                    **Bypass:** Watts 007M3QT 3/4" (V),  
Ames 2000 BM3 (V)  
**Shutoffs:** (yyy)

---

**Type:** DCDA                                    **Manufacturer:** Watts                                    **Model:** 767DCDABF  
**Size:** 10    **Orientation:** H    **Meters:** (N),G,H,I,J,K,L,M,O,P,Q,T  
**Manual:** 9    **0.25% Pb:** No    **Spare Parts Only:** No  
**Approved:** 17-Sep-2009                                    **Renewed:** 17-Sep-2021                                    **Bypass:** Watts 007M3QT 3/4" (H),  
Ames 2000 BM3 (H)  
**Shutoffs:** (yyy)

---

**Type:** DCDA                                    **Manufacturer:** Watts                                    **Model:** 767DCDABF  
**Size:** 10    **Orientation:** VU    **Meters:** (N),G,H,I,J,K,L,M,O,P,Q,T  
**Manual:** 9    **0.25% Pb:** No    **Spare Parts Only:** No  
**Approved:** 17-Sep-2009                                    **Renewed:** 17-Sep-2021                                    **Bypass:** Watts 007M3QT 3/4" (V),  
Ames 2000 BM3 (V)  
**Shutoffs:** (yyy)

**Type:** DCDA                                      **Manufacturer:** Watts                                      **Model:** 767DCDAGV  
**Size:** 2 1/2                                      **Orientation:** H                                      **Meters:** (N),G,H,I,J,K,L,M,O,P,Q,T  
**Manual:** 9                                      **0.25% Pb:** No                                      **Spare Parts Only:** No  
**Approved:** 04-Oct-2005                                      **Renewed:** 04-Oct-2020                                      **Bypass:** Watts 007M3QT 3/4" (H)  
**Shutoffs:** (zzz)

---

**Type:** DCDA                                      **Manufacturer:** Watts                                      **Model:** 767DCDAGV  
**Size:** 2 1/2                                      **Orientation:** VU                                      **Meters:** (N),G,H,I,J,K,L,M,O,P,Q,T  
**Manual:** 9                                      **0.25% Pb:** No                                      **Spare Parts Only:** No  
**Approved:** 04-Oct-2005                                      **Renewed:** 04-Oct-2020                                      **Bypass:** Watts 007M3QT 3/4" (V)  
**Shutoffs:** (zzz)

---

**Type:** DCDA                                      **Manufacturer:** Watts                                      **Model:** 767DCDAGV  
**Size:** 3                                      **Orientation:** H                                      **Meters:** (N),G,H,I,J,K,L,M,O,P,Q,T  
**Manual:** 9                                      **0.25% Pb:** No                                      **Spare Parts Only:** No  
**Approved:** 04-Oct-2005                                      **Renewed:** 04-Oct-2020                                      **Bypass:** Watts 007M3QT 3/4" (H)  
**Shutoffs:** (zzz)

---

**Type:** DCDA                                      **Manufacturer:** Watts                                      **Model:** 767DCDAGV  
**Size:** 3                                      **Orientation:** VU                                      **Meters:** (N),G,H,I,J,K,L,M,O,P,Q,T  
**Manual:** 9                                      **0.25% Pb:** No                                      **Spare Parts Only:** No  
**Approved:** 04-Oct-2005                                      **Renewed:** 04-Oct-2020                                      **Bypass:** Watts 007M3QT 3/4" (V)  
**Shutoffs:** (zzz)

---

**Type:** DCDA                                      **Manufacturer:** Watts                                      **Model:** 767DCDAGV  
**Size:** 4                                      **Orientation:** H                                      **Meters:** (N),G,H,I,J,K,L,M,O,P,Q,T  
**Manual:** 9                                      **0.25% Pb:** No                                      **Spare Parts Only:** No  
**Approved:** 19-Mar-2007                                      **Renewed:** 23-Mar-2022                                      **Bypass:** Watts 007M3QT 3/4" (H )  
**Shutoffs:** (zzz)

---

**Type:** DCDA                                      **Manufacturer:** Watts                                      **Model:** 767DCDAGV  
**Size:** 4                                      **Orientation:** VU                                      **Meters:** (N),G,H,I,J,K,L,M,O,P,Q,T  
**Manual:** 9                                      **0.25% Pb:** No                                      **Spare Parts Only:** No  
**Approved:** 19-Mar-2007                                      **Renewed:** 23-Mar-2022                                      **Bypass:** Watts 007M3QT 3/4" (VU)  
**Shutoffs:** (zzz)

---

**Type:** DCDA                                      **Manufacturer:** Watts                                      **Model:** 767DCDAGV  
**Size:** 6                                      **Orientation:** H                                      **Meters:** (N),G,H,I,J,K,L,M,O,P,Q,T  
**Manual:** 9                                      **0.25% Pb:** No                                      **Spare Parts Only:** No  
**Approved:** 09-Mar-2007                                      **Renewed:** 09-Mar-2022                                      **Bypass:** Watts 007M3QT 3/4" (H & VU)  
**Shutoffs:** (zzz)



**Type:** DCDA                      **Manufacturer:** Watts                      **Model:** 767DCDAGV  
**Size:** 6                              **Orientation:** VU                              **Meters:** (N),G,H,I,J,K,L,M,O,P,Q,T  
**Manual:** 9                              **0.25% Pb:** No                              **Spare Parts Only:** No  
**Approved:** 09-Mar-2007                      **Renewed:** 09-Mar-2022                      **Bypass:** Watts 007M3QT 3/4" (H & VU)  
**Shutoffs:** (zzz)

---

**Type:** DCDA                      **Manufacturer:** Watts                      **Model:** 767DCDAGV  
**Size:** 8                              **Orientation:** H                              **Meters:** (N),G,H,I,J,K,L,M,O,P,Q,T  
**Manual:** 9                              **0.25% Pb:** No                              **Spare Parts Only:** No  
**Approved:** 17-Sep-2009                      **Renewed:** 17-Sep-2021                      **Bypass:** Watts 007M3QT 3/4" (H),  
Ames 2000 BM3 (H)  
**Shutoffs:** (zzz)

---

**Type:** DCDA                      **Manufacturer:** Watts                      **Model:** 767DCDAGV  
**Size:** 8                              **Orientation:** VU                              **Meters:** (N),G,H,I,J,K,L,M,O,P,Q,T  
**Manual:** 9                              **0.25% Pb:** No                              **Spare Parts Only:** No  
**Approved:** 17-Sep-2009                      **Renewed:** 17-Sep-2021                      **Bypass:** Watts 007M3QT 3/4" (V),  
Ames 2000 BM3 (V)  
**Shutoffs:** (zzz)

---

**Type:** DCDA                      **Manufacturer:** Watts                      **Model:** 767DCDAGV  
**Size:** 10                              **Orientation:** H                              **Meters:** (N),G,H,I,J,K,L,M,O,P,Q,T  
**Manual:** 9                              **0.25% Pb:** No                              **Spare Parts Only:** No  
**Approved:** 17-Sep-2009                      **Renewed:** 17-Sep-2021                      **Bypass:** Watts 007M3QT 3/4" (H),  
Ames 2000 BM3 (H)  
**Shutoffs:** (zzz)

---

**Type:** DCDA                      **Manufacturer:** Watts                      **Model:** 767DCDAGV  
**Size:** 10                              **Orientation:** VU                              **Meters:** (N),G,H,I,J,K,L,M,O,P,Q,T  
**Manual:** 9                              **0.25% Pb:** No                              **Spare Parts Only:** No  
**Approved:** 17-Sep-2009                      **Renewed:** 17-Sep-2021                      **Bypass:** Watts 007M3QT 3/4" (V),  
Ames 2000 BM3 (V)  
**Shutoffs:** (zzz)

---

**Type:** DCDA                      **Manufacturer:** Watts                      **Model:** 767NDCDABF  
**Size:** 2 1/2                              **Orientation:** VUVD                              **Meters:** (N),G,H,I,J,K,L,M,O,P,Q,T  
**Manual:** 9                              **0.25% Pb:** No                              **Spare Parts Only:** No  
**Approved:** 07-Apr-2009                      **Renewed:** 07-Apr-2021                      **Bypass:** Watts 007M3QT 3/4" (H)  
**Shutoffs:** (yyy)

**Type:** DCDA                      **Manufacturer:** Watts                      **Model:** 767NDCCDABF  
**Size:** 3                              **Orientation:** VUVD                      **Meters:** (N),G,H,I,J,K,L,M,O,P,Q,T  
**Manual:** 9                              **0.25% Pb:** No                              **Spare Parts Only:** No  
**Approved:** 07-Apr-2009                      **Renewed:** 07-Apr-2021                      **Bypass:** Watts 007M3QT 3/4" (H)  
**Shutoffs:** (yyy)

---

**Type:** DCDA                      **Manufacturer:** Watts                      **Model:** 767NDCCDABF  
**Size:** 4                              **Orientation:** VUVD                      **Meters:** (N),G,H,I,J,K,L,M,O,P,Q,T  
**Manual:** 9                              **0.25% Pb:** No                              **Spare Parts Only:** No  
**Approved:** 07-Apr-2009                      **Renewed:** 07-Apr-2021                      **Bypass:** Watts 007M3QT 3/4" (H)  
**Shutoffs:** (yyy)

---

**Type:** DCDA                      **Manufacturer:** Watts                      **Model:** 767NDCCDABF  
**Size:** 6                              **Orientation:** VUVD                      **Meters:** (N),G,H,I,J,K,L,M,O,P,Q,T  
**Manual:** 9                              **0.25% Pb:** No                              **Spare Parts Only:** No  
**Approved:** 03-Jan-2013                      **Renewed:** 03-Jan-2022                      **Bypass:** Watts 007M3QT 3/4" (H)  
**Shutoffs:** (yyy)

---

**Type:** DCDA                      **Manufacturer:** Watts                      **Model:** 767NDCCDABF  
**Size:** 8                              **Orientation:** VUVD                      **Meters:** (N), H,I,J,K,L,M,N,O,P,Q  
**Manual:** 9                              **0.25% Pb:** No                              **Spare Parts Only:** No  
**Approved:** 28-May-2013                      **Renewed:** 28-May-2022                      **Bypass:** Watts 007M3QT 3/4" (H),  
Ames 2000BM3 3/4" (H)  
**Shutoffs:** (yyy)

---

**Type:** DCDA                      **Manufacturer:** Watts                      **Model:** 767NDCCDABF  
**Size:** 10                              **Orientation:** VUVD                      **Meters:** (N), H,I,J,K,L,M,N,O,P,Q  
**Manual:** 9                              **0.25% Pb:** No                              **Spare Parts Only:** No  
**Approved:** 28-May-2013                      **Renewed:** 28-May-2022                      **Bypass:** Watts 007M3QT 3/4" (H),  
Ames 2000BM3 3/4" (H)  
**Shutoffs:** (yyy)

---

**Type:** DCDA                      **Manufacturer:** Watts                      **Model:** 767NDCCDAGV  
**Size:** 2 1/2                              **Orientation:** VUVD                      **Meters:** (N),G,H,I,J,K,L,M,O,P,Q,T  
**Manual:** 9                              **0.25% Pb:** No                              **Spare Parts Only:** No  
**Approved:** 07-Apr-2009                      **Renewed:** 07-Apr-2021                      **Bypass:** Watts 007M3QT 3/4" (H)  
**Shutoffs:** (zzz)

**Type:** DCDA  
**Size:** 3  
**Manual:** 9  
**Approved:** 07-Apr-2009  
**Shutoffs:** (zzz)

**Manufacturer:** Watts  
**Orientation:** VUVD  
**0.25% Pb:** No  
**Renewed:** 07-Apr-2021

**Model:** 767NDCDAGV  
**Meters:** (N),G,H,I,J,K,L,M,O,P,Q,T  
**Spare Parts Only:** No  
**Bypass:** Watts 007M3QT 3/4" (H)

---

**Type:** DCDA  
**Size:** 4  
**Manual:** 9  
**Approved:** 07-Apr-2009  
**Shutoffs:** (zzz)

**Manufacturer:** Watts  
**Orientation:** VUVD  
**0.25% Pb:** No  
**Renewed:** 07-Apr-2021

**Model:** 767NDCDAGV  
**Meters:** (N),G,H,I,J,K,L,M,O,P,Q,T  
**Spare Parts Only:** No  
**Bypass:** Watts 007M3QT 3/4" (H)

---

**Type:** DCDA  
**Size:** 6  
**Manual:** 9  
**Approved:** 03-Jan-2013  
**Shutoffs:** (zzz)

**Manufacturer:** Watts  
**Orientation:** VUVD  
**0.25% Pb:** No  
**Renewed:** 03-Jan-2022

**Model:** 767NDCDAGV  
**Meters:** (N),G,H,I,J,K,L,M,O,P,Q,T  
**Spare Parts Only:** No  
**Bypass:** Watts 007M3QT 3/4" (H)

---

**Type:** DCDA  
**Size:** 8  
**Manual:** 9  
**Approved:** 28-May-2013  
**Shutoffs:** (zzz)

**Manufacturer:** Watts  
**Orientation:** VUVD  
**0.25% Pb:** No  
**Renewed:** 28-May-2022

**Model:** 767NDCDAGV  
**Meters:** (N), H,I,J,K,L,M,N,O,P,Q  
**Spare Parts Only:** No  
**Bypass:** Watts 007M3QT 3/4" (H),  
Ames 2000BM3 3/4" (H)

---

**Type:** DCDA  
**Size:** 10  
**Manual:** 9  
**Approved:** 28-May-2013  
**Shutoffs:** (zzz)

**Manufacturer:** Watts  
**Orientation:** VUVD  
**0.25% Pb:** No  
**Renewed:** 28-May-2022

**Model:** 767NDCDAGV  
**Meters:** (N), H,I,J,K,L,M,N,O,P,Q  
**Spare Parts Only:** No  
**Bypass:** Watts 007M3QT 3/4" (H),  
Ames 2000BM3 3/4" (H)

---

**Type:** DCDA  
**Size:** 4  
**Manual:** 8  
**Approved:** 20-May-1992  
**Shutoffs:** pp, hh, mm, uu, zz

**Manufacturer:** Watts  
**Orientation:** H  
**0.25% Pb:** No  
**Renewed:** 20-May-2022

**Model:** 770DCDA  
**Meters:**  
(H),A,B,C,D,E,F,G,I,J,K,L,M,N,O,P,Q,T  
**Spare Parts Only:** Yes  
**Bypass:** Watts 007M1QT 3/4" (H)

**Type:** DCDA    **Manufacturer:** Watts    **Model:** 770DCDA  
**Size:** 8    **Orientation:** H    **Meters:**  
(N),D,E,F,G,H,I,J,K,L,M,O,P,Q,T  
**Manual:** 8    **0.25% Pb:** No    **Spare Parts Only:** Yes  
**Approved:** 13-Jan-1993                              **Renewed:** 13-Jan-2020                              **Bypass:** Watts 007M1QT 3/4" (H)  
**Shutoffs:** oo,gg,hh,ll,mm,pp,tt,uu

---

**Type:** DCDA    **Manufacturer:** Watts    **Model:** 772DCDA  
**Size:** 4    **Orientation:** H    **Meters:**  
(H),A,B,C,D,E,F,G,I,J,K,L,M,N,O,P,Q,T  
**Manual:** 8    **0.25% Pb:** No    **Spare Parts Only:** Yes  
**Approved:** 01-Aug-1992                              **Renewed:** 01-Aug-2022                              **Bypass:** Watts 007M1QT 3/4" (H)  
**Shutoffs:** oo

---

**Type:** DCDA    **Manufacturer:** Watts    **Model:** 772DCDA  
**Size:** 10    **Orientation:** H    **Meters:**  
(H),A,B,C,D,E,F,G,I,J,K,L,M,N,O,P,Q,T  
**Manual:** 8    **0.25% Pb:** No    **Spare Parts Only:** Yes  
**Approved:** 13-Jan-1993                              **Renewed:** 13-Jan-2020                              **Bypass:** Watts 007M1QT 3/4" (H)  
**Shutoffs:** oo

---

**Type:** DCDA    **Manufacturer:** Watts    **Model:** 774DCDA  
**Size:** 2 1/2    **Orientation:** H    **Meters:**  
(M),A,B,C,D,E,F,G,H,I,J,K,L,N,O,P,Q,T  
**Manual:** 8    **0.25% Pb:** No    **Spare Parts Only:** No  
**Approved:** 24-May-1995                              **Renewed:** 16-Jan-2020                              **Bypass:** Watts 007M2QT 3/4: (H),  
Ames 2000B 3/4" (H)  
**Shutoffs:** (uu),ee,ff,gg,hh,ll,mm,oo,pp,tt,ccc,ddd,fff,gggg

---

**Type:** DCDA    **Manufacturer:** Watts    **Model:** 774DCDA  
**Size:** 3    **Orientation:** H    **Meters:**  
(M),A,B,C,D,E,F,G,H,I,J,K,L,N,O,P,Q,T  
**Manual:** 8    **0.25% Pb:** No    **Spare Parts Only:** No  
**Approved:** 24-May-1995                              **Renewed:** 16-Jan-2020                              **Bypass:** Watts 007M2QT 3/4: (H),  
Ames 2000B 3/4" (H)  
**Shutoffs:** (uu),ee,ff,gg,hh,ll,mm,oo,pp,tt,ccc,ddd,fff,gggg

**Type:** DCDA                            **Manufacturer:** Watts                            **Model:** 774DCDA  
**Size:** 4    **Orientation:** H    **Meters:**  
(M),A,B,C,D,E,F,G,H,I,J,K,L,N,O,P,Q,T  
**Manual:** 8    **0.25% Pb:** No    **Spare Parts Only:** No  
**Approved:** 24-May-1995                            **Renewed:** 16-Jan-2020                            **Bypass:** Watts 007M2QT 3/4: (H),  
Ames 2000B 3/4" (H)  
**Shutoffs:** (uu),ee,ff,gg,hh,ll,mm,oo,pp,tt,ccc,ddd,ffff,gggg

---

**Type:** DCDA                            **Manufacturer:** Watts                            **Model:** 774DCDA  
**Size:** 6    **Orientation:** H    **Meters:**  
(M),A,B,C,D,E,F,G,H,I,J,K,L,N,O,P,Q,T  
**Manual:** 8    **0.25% Pb:** No    **Spare Parts Only:** No  
**Approved:** 09-Sep-1992                            **Renewed:** 09-Sep-2019                            **Bypass:** Watts 007M1QT 3/4" (H)),  
Watts 007M3QT 3/4" (H)  
**Shutoffs:** (uu),ee,ff,gg,hh,ll,mm,oo,pp,tt,ccc,ddd,ffff,gggg

---

**Type:** DCDA                            **Manufacturer:** Watts                            **Model:** 774DCDA  
**Size:** 8    **Orientation:** H    **Meters:**  
(M),A,B,C,D,E,F,G,H,I,J,K,L,N,O,P,Q,T  
**Manual:** 8    **0.25% Pb:** No    **Spare Parts Only:** No  
**Approved:** 16-Sep-1996                            **Renewed:** 16-Sep-2020                            **Bypass:** Watts 007M2QT 3/4: (H),  
Ames 2000B 3/4" (H)  
**Shutoffs:** (mm),ee,ff,gg,hh,ll,oo,pp,tt,uu,ccc,ddd,ffff,gggg

---

**Type:** DCDA                            **Manufacturer:** Watts                            **Model:** 774DCDA  
**Size:** 10    **Orientation:** H    **Meters:**  
(J),C,E,F,G,H,I,K,L,M,N,O,P,Q,T  
**Manual:** 8    **0.25% Pb:** No    **Spare Parts Only:** No  
**Approved:** 16-Feb-2001                            **Renewed:** 16-Feb-2022                            **Bypass:** Watts 007M2QT 3/4: (H),  
Ames 2000B 3/4" (H)  
**Shutoffs:** (ll),mm,ffff,gggg

---

**Type:** DCDA                            **Manufacturer:** Watts                            **Model:** 774DCDA  
**Size:** 12    **Orientation:** H    **Meters:** (N),H,I,J,K,L,M,O,P,Q  
**Manual:** 9    **0.25% Pb:** No    **Spare Parts Only:** No  
**Approved:** 18-Feb-2010                            **Renewed:** 18-Feb-2022                            **Bypass:** Ames 2000BM3 3/4" (H);  
Watts 007M3QT 3/4" (H)  
**Shutoffs:** (mm), ll

**Type:** DCDA                      **Manufacturer:** Watts                      **Model:** 774DCDA  
**Size:** 12                      **Orientation:** VU                      **Meters:** (N),H,I,J,K,L,M,O,P,Q  
**Manual:** 9                      **0.25% Pb:** No                      **Spare Parts Only:** No  
**Approved:** 21-Mar-2011                      **Renewed:** 21-Mar-2020                      **Bypass:** Ames 2000BM3 3/4" (H);  
Watts 007M3QT 3/4" (H)  
**Shutoffs:** (mm), ll

---

**Type:** DCDA                      **Manufacturer:** Watts                      **Model:** 774DCDA-1  
**Size:** 12                      **Orientation:** H                      **Meters:** (N),H,I,J,K,L,M,O,P,Q  
**Manual:** 9                      **0.25% Pb:** No                      **Spare Parts Only:** No  
**Approved:** 18-Feb-2010                      **Renewed:** 18-Feb-2022                      **Bypass:** Ames 200B 3/4" (H); Watts  
719QT 3/4" (H)  
**Shutoffs:** (mm), ll

---

**Type:** DCDA                      **Manufacturer:** Watts                      **Model:** 774DCDA-1  
**Size:** 12                      **Orientation:** VU                      **Meters:** (N), H,I,J,K,L,M,O,P,Q  
**Manual:** 9                      **0.25% Pb:** No                      **Spare Parts Only:** No  
**Approved:** 21-Mar-2011                      **Renewed:** 21-Mar-2020                      **Bypass:** Ames 200B 3/4" (VU); Watts  
719QT 3/4" (VU)  
**Shutoffs:** (mm), ll

---

**Type:** DCDA                      **Manufacturer:** Watts                      **Model:** 774XDCDA  
**Size:** 2 1/2                      **Orientation:** H                      **Meters:** (M),N,O,P,Q  
**Manual:** 8                      **0.25% Pb:** No                      **Spare Parts Only:** Yes  
**Approved:** 10-Sep-1996                      **Renewed:** 10-Sep-2020                      **Bypass:** Watts 007M2QT 3/4: (H),  
Ames 2000B 3/4" (H)  
**Shutoffs:** (mm),ee,ff,gg,hh,ll,oo,pp,tt,uu,ccc,ddd,ffff,gggg

---

**Type:** DCDA                      **Manufacturer:** Watts                      **Model:** 774XDCDA  
**Size:** 6                      **Orientation:** H                      **Meters:**  
(M),A,B,C,D,E,F,G,H,I,J,K,L,N,O,P,Q,T  
**Manual:** 8                      **0.25% Pb:** No                      **Spare Parts Only:** Yes  
**Approved:** 24-May-1995                      **Renewed:** 24-May-2022                      **Bypass:** Watts 007M2QT 3/4: (H),  
Ames 2000B 3/4" (H)  
**Shutoffs:** (uu),ee,ff,gg,hh,ll,mm,oo,pp,tt,uu,ccc,ddd,ffff,gggg

---

**Type:** DCDA                      **Manufacturer:** Watts                      **Model:** 774XDCDA  
**Size:** 8                      **Orientation:** H                      **Meters:**  
(M),A,B,C,D,E,F,G,H,I,J,K,L,N,O,P,Q,T  
**Manual:** 8                      **0.25% Pb:** No                      **Spare Parts Only:** Yes  
**Approved:** 09-Sep-1992                      **Renewed:** 09-Sep-2019                      **Bypass:** Watts 007M1QT 3/4" (H)  
**Shutoffs:** (uu),ee,ff,gg,hh,ll,mm,oo,pp,tt,ccc,ddd,ffff,gggg

**Type:** DCDA **Manufacturer:** Watts **Model:** LF757DCDABF  
**Size:** 2 1/2 **Orientation:** H **Meters:** (O)  
**Manual:** 9 **0.25% Pb:** Yes **Spare Parts Only:** No  
**Approved:** 08-Jan-2014 **Renewed:** 08-Jan-2020 **Bypass:** Watts LF007M3QT 3/4" (H)  
**Shutoffs:** (yyy)  
**Notes:** Lead free compliant version identified with NSF61 mark on meter

---

**Type:** DCDA **Manufacturer:** Watts **Model:** LF757DCDABF  
**Size:** 2 1/2 **Orientation:** VU **Meters:** (O)  
**Manual:** 9 **0.25% Pb:** Yes **Spare Parts Only:** No  
**Approved:** 08-Jan-2014 **Renewed:** 08-Jan-2020 **Bypass:** Watts LF007M3QT 3/4" (VU)  
**Shutoffs:** (yyy)  
**Notes:** Lead free compliant version identified with NSF61 mark on meter

---

**Type:** DCDA **Manufacturer:** Watts **Model:** LF757DCDABF  
**Size:** 3 **Orientation:** H **Meters:** (O)  
**Manual:** 9 **0.25% Pb:** Yes **Spare Parts Only:** No  
**Approved:** 08-Jan-2014 **Renewed:** 08-Jan-2020 **Bypass:** Watts LF007M3QT 3/4" (H)  
**Shutoffs:** (yyy)  
**Notes:** Lead free compliant version identified with NSF61 mark on meter

---

**Type:** DCDA **Manufacturer:** Watts **Model:** LF757DCDABF  
**Size:** 3 **Orientation:** VU **Meters:** (O)  
**Manual:** 9 **0.25% Pb:** Yes **Spare Parts Only:** No  
**Approved:** 08-Jan-2014 **Renewed:** 08-Jan-2020 **Bypass:** Watts LF007M3QT 3/4" (VU)  
**Shutoffs:** (yyy)  
**Notes:** Lead free compliant version identified with NSF61 mark on meter

---

**Type:** DCDA **Manufacturer:** Watts **Model:** LF757DCDABF  
**Size:** 4 **Orientation:** H **Meters:** (O)  
**Manual:** 9 **0.25% Pb:** Yes **Spare Parts Only:** No  
**Approved:** 08-Jan-2014 **Renewed:** 08-Jan-2020 **Bypass:** Watts LF007M3QT 3/4" (H)  
**Shutoffs:** (yyy)  
**Notes:** Lead free compliant version identified with NSF61 mark on meter

---

**Type:** DCDA **Manufacturer:** Watts **Model:** LF757DCDABF  
**Size:** 4 **Orientation:** VU **Meters:** (O)  
**Manual:** 9 **0.25% Pb:** Yes **Spare Parts Only:** No  
**Approved:** 08-Jan-2014 **Renewed:** 08-Jan-2020 **Bypass:** Watts LF007M3QT 3/4" (VU)  
**Shutoffs:** (yyy)  
**Notes:** Lead free compliant version identified with NSF61 mark on meter

<b>Type:</b> DCDA	<b>Manufacturer:</b> Watts	<b>Model:</b> LF757DCDABF
<b>Size:</b> 6	<b>Orientation:</b> H	<b>Meters:</b> (O)
<b>Manual:</b> 9	<b>0.25% Pb:</b> Yes	<b>Spare Parts Only:</b> No
<b>Approved:</b> 08-Jan-2014	<b>Renewed:</b> 08-Jan-2020	<b>Bypass:</b> Watts LF007M3QT 3/4" (H)
<b>Shutoffs:</b> (yyy)		
<b>Notes:</b> Lead free compliant version identified with NSF61 mark on meter		

---

<b>Type:</b> DCDA	<b>Manufacturer:</b> Watts	<b>Model:</b> LF757DCDABF
<b>Size:</b> 6	<b>Orientation:</b> VU	<b>Meters:</b> (O)
<b>Manual:</b> 9	<b>0.25% Pb:</b> Yes	<b>Spare Parts Only:</b> No
<b>Approved:</b> 08-Jan-2014	<b>Renewed:</b> 08-Jan-2020	<b>Bypass:</b> Watts LF007M3QT 3/4" (VU)
<b>Shutoffs:</b> (yyy)		
<b>Notes:</b> Lead free compliant version identified with NSF61 mark on meter		

---

<b>Type:</b> DCDA	<b>Manufacturer:</b> Watts	<b>Model:</b> LF757DCDABF
<b>Size:</b> 8	<b>Orientation:</b> H	<b>Meters:</b> (O)
<b>Manual:</b> 9	<b>0.25% Pb:</b> Yes	<b>Spare Parts Only:</b> No
<b>Approved:</b> 08-Jan-2014	<b>Renewed:</b> 08-Jan-2020	<b>Bypass:</b> Watts LF007M3QT 3/4" (H)
<b>Shutoffs:</b> (yyy)		
<b>Notes:</b> Lead free compliant version identified with NSF61 mark on meter		

---

<b>Type:</b> DCDA	<b>Manufacturer:</b> Watts	<b>Model:</b> LF757DCDABF
<b>Size:</b> 8	<b>Orientation:</b> VU	<b>Meters:</b> (O)
<b>Manual:</b> 9	<b>0.25% Pb:</b> Yes	<b>Spare Parts Only:</b> No
<b>Approved:</b> 08-Jan-2014	<b>Renewed:</b> 08-Jan-2020	<b>Bypass:</b> Watts LF007M3QT 3/4" (VU)
<b>Shutoffs:</b> (yyy)		
<b>Notes:</b> Lead free compliant version identified with NSF61 mark on meter		

---

<b>Type:</b> DCDA	<b>Manufacturer:</b> Watts	<b>Model:</b> LF757DCDABF
<b>Size:</b> 10	<b>Orientation:</b> H	<b>Meters:</b> (O)
<b>Manual:</b> 9	<b>0.25% Pb:</b> Yes	<b>Spare Parts Only:</b> No
<b>Approved:</b> 08-Jan-2014	<b>Renewed:</b> 08-Jan-2020	<b>Bypass:</b> Watts LF007M3QT 3/4" (H)
<b>Shutoffs:</b> (yyy)		
<b>Notes:</b> Lead free compliant version identified with NSF61 mark on meter		

---

<b>Type:</b> DCDA	<b>Manufacturer:</b> Watts	<b>Model:</b> LF757DCDABF
<b>Size:</b> 10	<b>Orientation:</b> VU	<b>Meters:</b> (O)
<b>Manual:</b> 9	<b>0.25% Pb:</b> Yes	<b>Spare Parts Only:</b> No
<b>Approved:</b> 08-Jan-2014	<b>Renewed:</b> 08-Jan-2020	<b>Bypass:</b> Watts LF007M3QT 3/4" (VU)
<b>Shutoffs:</b> (yyy)		
<b>Notes:</b> Lead free compliant version identified with NSF61 mark on meter		



**Type:** DCDA **Manufacturer:** Watts **Model:** LF757DCDAGV  
**Size:** 2 1/2 **Orientation:** H **Meters:** (O)  
**Manual:** 9 **0.25% Pb:** Yes **Spare Parts Only:** No  
**Approved:** 08-Jan-2014 **Renewed:** 08-Jan-2020 **Bypass:** Watts LF007M3QT 3/4" (H)  
**Shutoffs:** (zzz)  
**Notes:** Lead free compliant version identified with NSF61 mark on meter

---

**Type:** DCDA **Manufacturer:** Watts **Model:** LF757DCDAGV  
**Size:** 2 1/2 **Orientation:** VU **Meters:** (O)  
**Manual:** 9 **0.25% Pb:** Yes **Spare Parts Only:** No  
**Approved:** 08-Jan-2014 **Renewed:** 08-Jan-2020 **Bypass:** Watts LF007M3QT 3/4" (VU)  
**Shutoffs:** (zzz)  
**Notes:** Lead free compliant version identified with NSF61 mark on meter

---

**Type:** DCDA **Manufacturer:** Watts **Model:** LF757DCDAGV  
**Size:** 3 **Orientation:** H **Meters:** (O)  
**Manual:** 9 **0.25% Pb:** Yes **Spare Parts Only:** No  
**Approved:** 08-Jan-2014 **Renewed:** 08-Jan-2020 **Bypass:** Watts LF007M3QT 3/4" (H)  
**Shutoffs:** (zzz)  
**Notes:** Lead free compliant version identified with NSF61 mark on meter

---

**Type:** DCDA **Manufacturer:** Watts **Model:** LF757DCDAGV  
**Size:** 3 **Orientation:** VU **Meters:** (O)  
**Manual:** 9 **0.25% Pb:** Yes **Spare Parts Only:** No  
**Approved:** 08-Jan-2014 **Renewed:** 08-Jan-2020 **Bypass:** Watts LF007M3QT 3/4" (VU)  
**Shutoffs:** (zzz)  
**Notes:** Lead free compliant version identified with NSF61 mark on meter

---

**Type:** DCDA **Manufacturer:** Watts **Model:** LF757DCDAGV  
**Size:** 4 **Orientation:** H **Meters:** (O)  
**Manual:** 9 **0.25% Pb:** Yes **Spare Parts Only:** No  
**Approved:** 08-Jan-2014 **Renewed:** 08-Jan-2020 **Bypass:** Watts LF007M3QT 3/4" (H)  
**Shutoffs:** (zzz)  
**Notes:** Lead free compliant version identified with NSF61 mark on meter

---

**Type:** DCDA **Manufacturer:** Watts **Model:** LF757DCDAGV  
**Size:** 4 **Orientation:** VU **Meters:** (O)  
**Manual:** 9 **0.25% Pb:** Yes **Spare Parts Only:** No  
**Approved:** 08-Jan-2014 **Renewed:** 08-Jan-2020 **Bypass:** Watts LF007M3QT 3/4" (VU)  
**Shutoffs:** (zzz)  
**Notes:** Lead free compliant version identified with NSF61 mark on meter

**Type:** DCDA                                   **Manufacturer:** Watts                                   **Model:** LF757DCDAGV  
**Size:** 6   **Orientation:** H   **Meters:** (O)  
**Manual:** 9                                       **0.25% Pb:** Yes                                       **Spare Parts Only:** No  
**Approved:** 08-Jan-2014                       **Renewed:** 08-Jan-2020                               **Bypass:** Watts LF007M3QT 3/4" (H)  
**Shutoffs:** (zzz)  
**Notes:** Lead free compliant version identified with NSF61 mark on meter

---

**Type:** DCDA                                   **Manufacturer:** Watts                                   **Model:** LF757DCDAGV  
**Size:** 6   **Orientation:** VU   **Meters:** (O)  
**Manual:** 9                                       **0.25% Pb:** Yes                                       **Spare Parts Only:** No  
**Approved:** 08-Jan-2014                       **Renewed:** 08-Jan-2020                               **Bypass:** Watts LF007M3QT 3/4" (VU)  
**Shutoffs:** (zzz)  
**Notes:** Lead free compliant version identified with NSF61 mark on meter

---

**Type:** DCDA                                   **Manufacturer:** Watts                                   **Model:** LF757DCDAGV  
**Size:** 8   **Orientation:** H   **Meters:** (O)  
**Manual:** 9                                       **0.25% Pb:** Yes                                       **Spare Parts Only:** No  
**Approved:** 08-Jan-2014                       **Renewed:** 08-Jan-2020                               **Bypass:** Watts LF007M3QT 3/4" (H)  
**Shutoffs:** (zzz)  
**Notes:** Lead free compliant version identified with NSF61 mark on meter

---

**Type:** DCDA                                   **Manufacturer:** Watts                                   **Model:** LF757DCDAGV  
**Size:** 8   **Orientation:** VU   **Meters:** (O)  
**Manual:** 9                                       **0.25% Pb:** Yes                                       **Spare Parts Only:** No  
**Approved:** 08-Jan-2014                       **Renewed:** 08-Jan-2020                               **Bypass:** Watts LF007M3QT 3/4" (VU)  
**Shutoffs:** (zzz)  
**Notes:** Lead free compliant version identified with NSF61 mark on meter

---

**Type:** DCDA                                   **Manufacturer:** Watts                                   **Model:** LF757DCDAGV  
**Size:** 10   **Orientation:** H   **Meters:** (O)  
**Manual:** 9                                       **0.25% Pb:** Yes                                       **Spare Parts Only:** No  
**Approved:** 08-Jan-2014                       **Renewed:** 08-Jan-2020                               **Bypass:** Watts LF007M3QT 3/4" (H)  
**Shutoffs:** (zzz)  
**Notes:** Lead free compliant version identified with NSF61 mark on meter

---

**Type:** DCDA                                   **Manufacturer:** Watts                                   **Model:** LF757DCDAGV  
**Size:** 10   **Orientation:** VU   **Meters:** (O)  
**Manual:** 9                                       **0.25% Pb:** Yes                                       **Spare Parts Only:** No  
**Approved:** 08-Jan-2014                       **Renewed:** 08-Jan-2020                               **Bypass:** Watts LF007M3QT 3/4" (VU)  
**Shutoffs:** (zzz)  
**Notes:** Lead free compliant version identified with NSF61 mark on meter

**Type:** DCDA                              **Manufacturer:** Watts                              **Model:** LF757NDCCDABF  
**Size:** 2 1/2                              **Orientation:** VUVD                              **Meters:** (O)  
**Manual:** 9                              **0.25% Pb:** Yes                              **Spare Parts Only:** No  
**Approved:** 08-Jan-2014                              **Renewed:** 08-Jan-2020                              **Bypass:** Watts LF007M3QT 3/4" (H)  
**Shutoffs:** (yyy)  
**Notes:** Lead free compliant version identified with NSF61 mark on meter

---

**Type:** DCDA                              **Manufacturer:** Watts                              **Model:** LF757NDCCDABF  
**Size:** 3                              **Orientation:** VUVD                              **Meters:** (O)  
**Manual:** 9                              **0.25% Pb:** Yes                              **Spare Parts Only:** No  
**Approved:** 08-Jan-2014                              **Renewed:** 08-Jan-2020                              **Bypass:** Watts LF007M3QT 3/4" (H)  
**Shutoffs:** (yyy)  
**Notes:** Lead free compliant version identified with NSF61 mark on meter

---

**Type:** DCDA                              **Manufacturer:** Watts                              **Model:** LF757NDCCDABF  
**Size:** 4                              **Orientation:** VUVD                              **Meters:** (O)  
**Manual:** 9                              **0.25% Pb:** Yes                              **Spare Parts Only:** No  
**Approved:** 08-Jan-2014                              **Renewed:** 08-Jan-2020                              **Bypass:** Watts LF007M3QT 3/4" (H)  
**Shutoffs:** (yyy)  
**Notes:** Lead free compliant version identified with NSF61 mark on meter

---

**Type:** DCDA                              **Manufacturer:** Watts                              **Model:** LF757NDCCDABF  
**Size:** 6                              **Orientation:** VUVD                              **Meters:** (O)  
**Manual:** 9                              **0.25% Pb:** Yes                              **Spare Parts Only:** No  
**Approved:** 08-Jan-2014                              **Renewed:** 08-Jan-2020                              **Bypass:** Watts LF007M3QT 3/4" (H)  
**Shutoffs:** (yyy)  
**Notes:** Lead free compliant version identified with NSF61 mark on meter

---

**Type:** DCDA                              **Manufacturer:** Watts                              **Model:** LF757NDCCDABF  
**Size:** 8                              **Orientation:** VUVD                              **Meters:** (O)  
**Manual:** 9                              **0.25% Pb:** Yes                              **Spare Parts Only:** No  
**Approved:** 08-Jan-2014                              **Renewed:** 08-Jan-2020                              **Bypass:** Watts LF007M3QT 3/4" (H)  
**Shutoffs:** (yyy)  
**Notes:** Lead free compliant version identified with NSF61 mark on meter

---

**Type:** DCDA                              **Manufacturer:** Watts                              **Model:** LF757NDCCDABF  
**Size:** 10                              **Orientation:** VUVD                              **Meters:** (O)  
**Manual:** 9                              **0.25% Pb:** Yes                              **Spare Parts Only:** No  
**Approved:** 08-Jan-2014                              **Renewed:** 08-Jan-2020                              **Bypass:** Watts LF007M3QT 3/4" (H)  
**Shutoffs:** (yyy)  
**Notes:** Lead free compliant version identified with NSF61 mark on meter

**Type:** DCDA **Manufacturer:** Watts **Model:** LF757NDCCDAGV  
**Size:** 2 1/2 **Orientation:** VUVD **Meters:** (O)  
**Manual:** 9 **0.25% Pb:** Yes **Spare Parts Only:** No  
**Approved:** 08-Jan-2014 **Renewed:** 08-Jan-2020 **Bypass:** Watts LF007M3QT 3/4" (H)  
**Shutoffs:** (zzz)  
**Notes:** Lead free compliant version identified with NSF61 mark on meter

---

**Type:** DCDA **Manufacturer:** Watts **Model:** LF757NDCCDAGV  
**Size:** 3 **Orientation:** VUVD **Meters:** (O)  
**Manual:** 9 **0.25% Pb:** Yes **Spare Parts Only:** No  
**Approved:** 08-Jan-2014 **Renewed:** 08-Jan-2020 **Bypass:** Watts LF007M3QT 3/4" (H)  
**Shutoffs:** (zzz)  
**Notes:** Lead free compliant version identified with NSF61 mark on meter

---

**Type:** DCDA **Manufacturer:** Watts **Model:** LF757NDCCDAGV  
**Size:** 4 **Orientation:** VUVD **Meters:** (O)  
**Manual:** 9 **0.25% Pb:** Yes **Spare Parts Only:** No  
**Approved:** 08-Jan-2014 **Renewed:** 08-Jan-2020 **Bypass:** Watts LF007M3QT 3/4" (H)  
**Shutoffs:** (zzz)  
**Notes:** Lead free compliant version identified with NSF61 mark on meter

---

**Type:** DCDA **Manufacturer:** Watts **Model:** LF757NDCCDAGV  
**Size:** 6 **Orientation:** VUVD **Meters:** (O)  
**Manual:** 9 **0.25% Pb:** Yes **Spare Parts Only:** No  
**Approved:** 08-Jan-2014 **Renewed:** 08-Jan-2020 **Bypass:** Watts LF007M3QT 3/4" (H)  
**Shutoffs:** (zzz)  
**Notes:** Lead free compliant version identified with NSF61 mark on meter

---

**Type:** DCDA **Manufacturer:** Watts **Model:** LF757NDCCDAGV  
**Size:** 8 **Orientation:** VUVD **Meters:** (O)  
**Manual:** 9 **0.25% Pb:** Yes **Spare Parts Only:** No  
**Approved:** 08-Jan-2014 **Renewed:** 08-Jan-2020 **Bypass:** Watts LF007M3QT 3/4" (H)  
**Shutoffs:** (zzz)  
**Notes:** Lead free compliant version identified with NSF61 mark on meter

---

**Type:** DCDA **Manufacturer:** Watts **Model:** LF757NDCCDAGV  
**Size:** 10 **Orientation:** VUVD **Meters:** (O)  
**Manual:** 9 **0.25% Pb:** Yes **Spare Parts Only:** No  
**Approved:** 08-Jan-2014 **Renewed:** 08-Jan-2020 **Bypass:** Watts LF007M3QT 3/4" (H)  
**Shutoffs:** (zzz)  
**Notes:** Lead free compliant version identified with NSF61 mark on meter

**Type:** DCDA                                    **Manufacturer:** Wilkins                                    **Model:** 350ADA  
**Size:** 2 1/2                                    **Orientation:** H                                    **Meters:**  
(M),A,B,C,D,E,F,G,H,I,J,K,L,N,O,P,Q,T  
**Manual:** 9                                    **0.25% Pb:** No                                    **Spare Parts Only:** No  
**Approved:** 22-Jun-2005                                    **Renewed:** 22-Jun-2020                                    **Bypass:** Wilkins 950XLD 3/4" (H)  
**Shutoffs:** (qqq),ttt,yyy,zzz,uuuu,vvvv,xxxx,yyyy,kkkkk,lllll,iiiiii,jjjjj,lllll,mmmmmm

---

**Type:** DCDA                                    **Manufacturer:** Wilkins                                    **Model:** 350ADA  
**Size:** 2 1/2                                    **Orientation:** H                                    **Meters:** (O), M  
**Manual:** 9                                    **0.25% Pb:** Yes                                    **Spare Parts Only:** No  
**Approved:** 18-Feb-2014                                    **Renewed:** 18-Feb-2020                                    **Bypass:** Wilkins 950XLD 3/4" (H)  
**Shutoffs:** (qqq),ttt,www,yyy,xxxx,yyyy,kkkkk,lllll,lllll,mmmmmm  
**Notes:** Lead free compliant version: Starting Serial # V39030; By-pass Assembly Starting Serial # 3863325 and identified with NSF61 mark on meter

---

**Type:** DCDA                                    **Manufacturer:** Wilkins                                    **Model:** 350ADA  
**Size:** 2 1/2                                    **Orientation:** VU                                    **Meters:**  
(M),A,B,C,D,E,F,G,H,I,J,K,L,N,O,P,Q,T  
**Manual:** 9                                    **0.25% Pb:** No                                    **Spare Parts Only:** No  
**Approved:** 22-Jun-2005                                    **Renewed:** 22-Jun-2020                                    **Bypass:** Wilkins 950XLD 3/4" (VU)  
**Shutoffs:** (qqq),ttt,yyy,zzz,uuuu,vvvv,xxxx,yyyy,kkkkk,lllll,iiiiii,jjjjj,lllll,mmmmmm

---

**Type:** DCDA                                    **Manufacturer:** Wilkins                                    **Model:** 350ADA  
**Size:** 2 1/2                                    **Orientation:** VU                                    **Meters:** (O), M  
**Manual:** 9                                    **0.25% Pb:** Yes                                    **Spare Parts Only:** No  
**Approved:** 18-Feb-2014                                    **Renewed:** 18-Feb-2020                                    **Bypass:** Wilkins 950XLD 3/4" (VU)  
**Shutoffs:** (qqq),ttt,www,yyy,xxxx,yyyy,kkkkk,lllll,lllll,mmmmmm  
**Notes:** Lead free compliant version: Starting Serial # V39030; By-pass Assembly Starting Serial # 3863325 and identified with NSF61 mark on meter

---

**Type:** DCDA                                    **Manufacturer:** Wilkins                                    **Model:** 350ADA  
**Size:** 3                                    **Orientation:** H                                    **Meters:**  
(M),A,B,C,D,E,F,G,H,I,J,K,L,N,O,P,Q,T  
**Manual:** 9                                    **0.25% Pb:** No                                    **Spare Parts Only:** No  
**Approved:** 22-Jun-2005                                    **Renewed:** 22-Jun-2020                                    **Bypass:** Wilkins 950XLD 3/4" (H)  
**Shutoffs:** (qqq),ttt,yyy,zzz,uuuu,vvvv,xxxx,yyyy,kkkkk,lllll,iiiiii,jjjjj,lllll,mmmmmm

**Type:** DCDA                               **Manufacturer:** Wilkins                               **Model:** 350ADA  
**Size:** 3   **Orientation:** H   **Meters:** (O), M  
**Manual:** 9   **0.25% Pb:** Yes   **Spare Parts Only:** No  
**Approved:** 18-Feb-2014                               **Renewed:** 18-Feb-2020                               **Bypass:** Wilkins 950XLD 3/4" (H)  
**Shutoffs:** (qqq),ttt,www,yyy,xxxx,yyyy,kkkkk,lllll,llllll,mmmmmm  
**Notes:** Lead free compliant version: Starting Serial # V39030; By-pass Assembly Starting Serial # 3863325 and identified with NSF61 mark on meter

---

**Type:** DCDA                               **Manufacturer:** Wilkins                               **Model:** 350ADA  
**Size:** 3   **Orientation:** VU   **Meters:**  
(M),A,B,C,D,E,F,G,H,I,J,K,L,N,O,P,Q,T  
**Manual:** 9   **0.25% Pb:** No   **Spare Parts Only:** No  
**Approved:** 22-Jun-2005                               **Renewed:** 22-Jun-2020                               **Bypass:** Wilkins 950XLD 3/4" (VU)  
**Shutoffs:** (qqq),ttt,yyy,zzz,uuuu,vvvv,xxxx,yyyy,kkkkk,lllll,iiiiii,jjjjjj,llllll,mmmmmm

---

**Type:** DCDA                               **Manufacturer:** Wilkins                               **Model:** 350ADA  
**Size:** 3   **Orientation:** VU   **Meters:** (O), M  
**Manual:** 9   **0.25% Pb:** Yes   **Spare Parts Only:** No  
**Approved:** 18-Feb-2014                               **Renewed:** 18-Feb-2020                               **Bypass:** Wilkins 950XLD 3/4" (VU)  
**Shutoffs:** (qqq),ttt,www,yyy,xxxx,yyyy,kkkkk,lllll,llllll,mmmmmm  
**Notes:** Lead free compliant version: Starting Serial # V39030; By-pass Assembly Starting Serial # 3863325 and identified with NSF61 mark on meter

---

**Type:** DCDA                               **Manufacturer:** Wilkins                               **Model:** 350ADA  
**Size:** 4   **Orientation:** H   **Meters:**  
(M),A,B,C,D,E,F,G,H,I,J,K,L,N,O,P,Q,T  
**Manual:** 9   **0.25% Pb:** No   **Spare Parts Only:** No  
**Approved:** 16-Mar-2004                               **Renewed:** 16-Mar-2022                               **Bypass:** Wilkins 950XLD 3/4" (H)  
**Shutoffs:** (qqq),ttt,www,yyy,zzz,eeee,uuuu,vvvv,xxxx,yyyy,kkkkk,lllll,iiiiii,jjjjjj,llllll,mmmmmm

---

**Type:** DCDA                               **Manufacturer:** Wilkins                               **Model:** 350ADA  
**Size:** 4   **Orientation:** H   **Meters:** (O), M  
**Manual:** 9   **0.25% Pb:** Yes   **Spare Parts Only:** No  
**Approved:** 18-Feb-2014                               **Renewed:** 18-Feb-2020                               **Bypass:** Wilkins 950XLD 3/4" (H)  
**Shutoffs:** (qqq),ttt,www,yyy,xxxx,yyyy,kkkkk,lllll,llllll,mmmmmm  
**Notes:** Lead free compliant version: Starting Serial # V39030; By-pass Assembly Starting Serial # 3863325 and identified with NSF61 mark on meter

**Type:** DCDA                      **Manufacturer:** Wilkins                      **Model:** 350ADA  
**Size:** 4                              **Orientation:** VU                              **Meters:**  
(M),A,B,C,D,E,F,G,H,I,J,K,L,N,O,P,Q,T  
**Manual:** 9                              **0.25% Pb:** No                              **Spare Parts Only:** No  
**Approved:** 16-Mar-2004                      **Renewed:** 16-Mar-2022                      **Bypass:** Wilkins 950XLD 3/4" (VU)  
**Shutoffs:** (qqq),ttt,www,yyy,zzz,eeee,uuuu,vvvv,xxxx,yyyy,kkkkk,lllll,iiiii,jjjjj,lllll,mmmmm

---

**Type:** DCDA                      **Manufacturer:** Wilkins                      **Model:** 350ADA  
**Size:** 4                              **Orientation:** VU                              **Meters:** (O), M  
**Manual:** 9                              **0.25% Pb:** Yes                              **Spare Parts Only:** No  
**Approved:** 18-Feb-2014                      **Renewed:** 18-Feb-2020                      **Bypass:** Wilkins 950XLD 3/4" (VU)  
**Shutoffs:** (qqq),ttt,www,yyy,xxxx,yyyy,kkkkk,lllll,lllll,mmmmm  
**Notes:** Lead free compliant version: Starting Serial # V39030; By-pass Assembly Starting Serial # 3863325 and identified with NSF61 mark on meter

---

**Type:** DCDA                      **Manufacturer:** Wilkins                      **Model:** 350ADA  
**Size:** 6                              **Orientation:** H                              **Meters:**  
(M),A,B,C,D,E,F,G,H,I,J,K,L,N,O,P,Q,T  
**Manual:** 9                              **0.25% Pb:** No                              **Spare Parts Only:** No  
**Approved:** 25-Nov-2003                      **Renewed:** 25-Nov-2021                      **Bypass:** Wilkins 950XLD 3/4" (H)  
**Shutoffs:** (qqq),ttt,www,yyy,zzz,eeee,uuuu,vvvv,xxxx,yyyy,kkkkk,lllll,iiiii,jjjjj,lllll,mmmmm

---

**Type:** DCDA                      **Manufacturer:** Wilkins                      **Model:** 350ADA  
**Size:** 6                              **Orientation:** H                              **Meters:** (O), M  
**Manual:** 9                              **0.25% Pb:** Yes                              **Spare Parts Only:** No  
**Approved:** 18-Feb-2014                      **Renewed:** 18-Feb-2020                      **Bypass:** Wilkins 950XLD 3/4" (H)  
**Shutoffs:** (qqq),ttt,www,yyy,xxxx,yyyy,kkkkk,lllll,lllll,mmmmm  
**Notes:** Lead free compliant version: Starting Serial # V39030; By-pass Assembly Starting Serial # 3863325 and identified with NSF61 mark on meter

---

**Type:** DCDA                      **Manufacturer:** Wilkins                      **Model:** 350ADA  
**Size:** 6                              **Orientation:** VU                              **Meters:**  
(M),A,B,C,D,E,F,G,H,I,J,K,L,N,O,P,Q,T  
**Manual:** 9                              **0.25% Pb:** No                              **Spare Parts Only:** No  
**Approved:** 25-Nov-2003                      **Renewed:** 25-Nov-2021                      **Bypass:** Wilkins 950XLD 3/4" (VU)  
**Shutoffs:** (qqq),ttt,www,yyy,zzz,eeee,uuuu,vvvv,xxxx,yyyy,kkkkk,lllll,iiiii,jjjjj,lllll,mmmmm

**Type:** DCDA                                    **Manufacturer:** Wilkins                                    **Model:** 350ADA  
**Size:** 6    **Orientation:** VU    **Meters:** (O), M  
**Manual:** 9    **0.25% Pb:** Yes    **Spare Parts Only:** No  
**Approved:** 18-Feb-2014                                    **Renewed:** 18-Feb-2020                                    **Bypass:** Wilkins 950XLD 3/4" (VU)  
**Shutoffs:** (qqq),ttt,www,yyy,xxxx,yyyy,kkkkk,lllll,lllll,mmmmmm  
**Notes:** Lead free compliant version: Starting Serial # V39030; By-pass Assembly Starting Serial # 3863325 and identified with NSF61 mark on meter

---

**Type:** DCDA                                    **Manufacturer:** Wilkins                                    **Model:** 350ADA  
**Size:** 8    **Orientation:** H    **Meters:** (N),F,G,H,I,J,K,L,M,O,P,Q,T  
**Manual:** 9    **0.25% Pb:** No    **Spare Parts Only:** No  
**Approved:** 12-Feb-2004                                    **Renewed:** 12-Feb-2022                                    **Bypass:** Wilkins 950XLD 3/4" (H)  
**Shutoffs:** (qqq),ttt,www,yyy,zzz,eeee,uuuu,vvvv,xxxx,yyyy,kkkkk,lllll,iiiiii,jjjjj,lllll,mmmmmm

---

**Type:** DCDA                                    **Manufacturer:** Wilkins                                    **Model:** 350ADA  
**Size:** 8    **Orientation:** H    **Meters:** (O), M  
**Manual:** 9    **0.25% Pb:** Yes    **Spare Parts Only:** No  
**Approved:** 18-Feb-2014                                    **Renewed:** 18-Feb-2020                                    **Bypass:** Wilkins 950XLD 3/4" (H)  
**Shutoffs:** (qqq),ttt,www,yyy,xxxx,yyyy,kkkkk,lllll,lllll,mmmmmm  
**Notes:** Lead free compliant version: Starting Serial # V39030; By-pass Assembly Starting Serial # 3863325 and identified with NSF61 mark on meter

---

**Type:** DCDA                                    **Manufacturer:** Wilkins                                    **Model:** 350ADA  
**Size:** 8    **Orientation:** VU    **Meters:** (N),F,G,H,I,J,K,L,M,O,P,Q,T  
**Manual:** 9    **0.25% Pb:** No    **Spare Parts Only:** No  
**Approved:** 12-Feb-2004                                    **Renewed:** 12-Feb-2022                                    **Bypass:** Wilkins 950XLD 3/4" (VU)  
**Shutoffs:** (qqq),ttt,www,yyy,zzz,eeee,uuuu,vvvv,xxxx,yyyy,kkkkk,lllll,iiiiii,jjjjj,lllll,mmmmmm

---

**Type:** DCDA                                    **Manufacturer:** Wilkins                                    **Model:** 350ADA  
**Size:** 8    **Orientation:** VU    **Meters:** (O), M  
**Manual:** 9    **0.25% Pb:** Yes    **Spare Parts Only:** No  
**Approved:** 18-Feb-2014                                    **Renewed:** 18-Feb-2020                                    **Bypass:** Wilkins 950XLD 3/4" (VU)  
**Shutoffs:** (qqq),ttt,www,yyy,xxxx,yyyy,kkkkk,lllll,lllll,mmmmmm  
**Notes:** Lead free compliant version: Starting Serial # V39030; By-pass Assembly Starting Serial # 3863325 and identified with NSF61 mark on meter

---

**Type:** DCDA                                    **Manufacturer:** Wilkins                                    **Model:** 350ADA  
**Size:** 10    **Orientation:** H    **Meters:** (N),F,G,H,I,J,K,L,M,O,P,Q,T  
**Manual:** 9    **0.25% Pb:** No    **Spare Parts Only:** No  
**Approved:** 06-Apr-2006                                    **Renewed:** 06-Apr-2021                                    **Bypass:** Wilkins 950XLD 3/4" (H)  
**Shutoffs:** (qqq),ttt,yyy,uuuu,vvvv,xxxx,yyyy,kkkkk,lllll,iiiiii,jjjjj,lllll,mmmmmm



**Type:** DCDA                                      **Manufacturer:** Wilkins                                      **Model:** 350ADA  
**Size:** 10    **Orientation:** H    **Meters:** (O), M  
**Manual:** 9    **0.25% Pb:** Yes    **Spare Parts Only:** No  
**Approved:** 18-Feb-2014                                      **Renewed:** 18-Feb-2020                                      **Bypass:** Wilkins 950XLD 3/4" (H)  
**Shutoffs:** (qqq),ttt,www,yyy,xxxx,yyyy,kkkkk,lllll,llllll,mmmmmm  
**Notes:** Lead free compliant version: Starting Serial # V39030; By-pass Assembly Starting Serial # 3863325 and identified with NSF61 mark on meter

---

**Type:** DCDA                                      **Manufacturer:** Wilkins                                      **Model:** 350ADA  
**Size:** 10    **Orientation:** VU    **Meters:** (N),F,G,H,I,J,K,L,M,O,P,Q,T  
**Manual:** 9    **0.25% Pb:** No    **Spare Parts Only:** No  
**Approved:** 06-Apr-2006                                      **Renewed:** 06-Apr-2021                                      **Bypass:** Wilkins 950XLD 3/4" (VU)  
**Shutoffs:** (qqq),ttt,yyy,uuuu,vvvv,xxxx,yyyy,kkkkk,lllll,iiiiii,jjjjjj,llllll,mmmmmm

---

**Type:** DCDA                                      **Manufacturer:** Wilkins                                      **Model:** 350ADA  
**Size:** 10    **Orientation:** VU    **Meters:** (O), M  
**Manual:** 9    **0.25% Pb:** Yes    **Spare Parts Only:** No  
**Approved:** 18-Feb-2014                                      **Renewed:** 18-Feb-2020                                      **Bypass:** Wilkins 950XLD 3/4" (VU)  
**Shutoffs:** (qqq),ttt,www,yyy,xxxx,yyyy,kkkkk,lllll,llllll,mmmmmm  
**Notes:** Lead free compliant version: Starting Serial # V39030; By-pass Assembly Starting Serial # 3863325 and identified with NSF61 mark on meter

---

**Type:** DCDA                                      **Manufacturer:** Wilkins                                      **Model:** 350ADAR  
**Size:** 2 1/2    **Orientation:** H    **Meters:**  
(M),A,B,C,D,E,F,G,H,I,J,K,L,N,O,P,Q,T  
**Manual:** 9    **0.25% Pb:** No    **Spare Parts Only:** No  
**Approved:** 16-Jun-2010                                      **Renewed:** 16-Jun-2022                                      **Bypass:** Wilkins 950XLD 3/4" (H)  
**Shutoffs:** (qqq),ttt,yyy,zzz,uuuu,vvvv,xxxx,yyyy,kkkkk,lllll,iiiiii,jjjjjj,llllll,mmmmmm  
**Notes:** Integral grooved spool between the #2 ck and #2 SOV - assembly length: min. 34 1/4" and max. 47 1/8"

---

**Type:** DCDA                                      **Manufacturer:** Wilkins                                      **Model:** 350ADAR  
**Size:** 2 1/2    **Orientation:** H    **Meters:** (O), M  
**Manual:** 9    **0.25% Pb:** Yes    **Spare Parts Only:** No  
**Approved:** 18-Feb-2014                                      **Renewed:** 18-Feb-2020                                      **Bypass:** Wilkins 950XLD 3/4" (H)  
**Shutoffs:** (qqq),ttt,www,yyy,xxxx,yyyy,kkkkk,lllll,llllll,mmmmmm  
**Notes:** Integral grooved spool between the #2 ck and #2 SOV - assembly length: min. 34 1/4" and max. 47 1/8" and Lead free compliant version: Starting Serial # E00687; By-pass Assembly Starting Serial # 3863325 and identified with NSF61 mark on meter

**Type:** DCDA **Manufacturer:** Wilkins **Model:** 350ADAR  
**Size:** 2 1/2 **Orientation:** VU **Meters:** (M),A,B,C,D,E,F,G,H,I,J,K,L,N,O,P,Q,T  
**Manual:** 9 **0.25% Pb:** No **Spare Parts Only:** No  
**Approved:** 16-Jun-2010 **Renewed:** 16-Jun-2022 **Bypass:** Wilkins 950XLD 3/4" (VU)  
**Shutoffs:** (qqq),ttt,yyy,zzz,uuuu,vvvv,xxxx,yyyy,kkkkk,llll,iiii,jjjjj,lllll,mmmmmm  
**Notes:** Integral grooved spool between the #2 ck and #2 SOV - assembly length: min. 34 1/4" and max. 47 1/8"

---

**Type:** DCDA **Manufacturer:** Wilkins **Model:** 350ADAR  
**Size:** 2 1/2 **Orientation:** VU **Meters:** (O), M  
**Manual:** 9 **0.25% Pb:** Yes **Spare Parts Only:** No  
**Approved:** 18-Feb-2014 **Renewed:** 18-Feb-2020 **Bypass:** Wilkins 950XLD 3/4" (VU)  
**Shutoffs:** (qqq),ttt,www,yyy,xxxx,yyyy,kkkkk,llll,lllll,mmmmmm  
**Notes:** Integral grooved spool between the #2 ck and #2 SOV - assembly length: min. 34 1/4" and max. 47 1/8" and Lead free compliant version: Starting Serial # E00687; By-pass Assembly Starting Serial # 3863325 and identified with NSF61 mark on meter

---

**Type:** DCDA **Manufacturer:** Wilkins **Model:** 350ADAR  
**Size:** 3 **Orientation:** H **Meters:** (M),A,B,C,D,E,F,G,H,I,J,K,L,N,O,P,Q,T  
**Manual:** 9 **0.25% Pb:** No **Spare Parts Only:** No  
**Approved:** 16-Jun-2010 **Renewed:** 16-Jun-2022 **Bypass:** Wilkins 950XLD 3/4" (H)  
**Shutoffs:** (qqq),ttt,yyy,zzz,uuuu,vvvv,xxxx,yyyy,kkkkk,llll,iiii,jjjjj,lllll,mmmmmm  
**Notes:** Integral grooved spool between the #2 ck and #2 SOV - assembly length: min. 34 3/4" and max. 48 1/8"

---

**Type:** DCDA **Manufacturer:** Wilkins **Model:** 350ADAR  
**Size:** 3 **Orientation:** H **Meters:** (O), M  
**Manual:** 9 **0.25% Pb:** Yes **Spare Parts Only:** No  
**Approved:** 18-Feb-2014 **Renewed:** 18-Feb-2020 **Bypass:** Wilkins 950XLD 3/4" (H)  
**Shutoffs:** (qqq),ttt,www,yyy,xxxx,yyyy,kkkkk,llll,lllll,mmmmmm  
**Notes:** Integral grooved spool between the #2 ck and #2 SOV - assembly length: min. 34 3/4" and max. 48 1/8" and Lead free compliant version: Starting Serial # E00687; By-pass Assembly Starting Serial # 3863325 and identified with NSF61 mark on meter

---

**Type:** DCDA **Manufacturer:** Wilkins **Model:** 350ADAR  
**Size:** 3 **Orientation:** VU **Meters:** (M),A,B,C,D,E,F,G,H,I,J,K,L,N,O,P,Q,T  
**Manual:** 9 **0.25% Pb:** No **Spare Parts Only:** No  
**Approved:** 16-Jun-2010 **Renewed:** 16-Jun-2022 **Bypass:** Wilkins 950XLD 3/4" (VU)  
**Shutoffs:** (qqq),ttt,yyy,zzz,uuuu,vvvv,xxxx,yyyy,kkkkk,llll,iiii,jjjjj,lllll,mmmmmm  
**Notes:** Integral grooved spool between the #2 ck and #2 SOV - assembly length: min. 34 3/4" and max. 48 1/8"

**Type:** DCDA **Manufacturer:** Wilkins **Model:** 350ADAR  
**Size:** 3 **Orientation:** VU **Meters:** (O), M  
**Manual:** 9 **0.25% Pb:** Yes **Spare Parts Only:** No  
**Approved:** 18-Feb-2014 **Renewed:** 18-Feb-2020 **Bypass:** Wilkins 950XLD 3/4" (VU)  
**Shutoffs:** (qqq),ttt,www,yyy,xxxx,yyyy,kkkkk,llll,lllll,mmmmmm  
**Notes:** Integral grooved spool between the #2 ck and #2 SOV - assembly length: min. 34 3/4" and max. 48 1/8" and Lead free compliant version: Starting Serial # E00687; By-pass Assembly Starting Serial # 3863325 and identified with NSF61 mark on meter

---

**Type:** DCDA **Manufacturer:** Wilkins **Model:** 350ADAR  
**Size:** 4 **Orientation:** H **Meters:**  
(M),A,B,C,D,E,F,G,H,I,J,K,L,N,O,P,Q,T  
**Manual:** 9 **0.25% Pb:** No **Spare Parts Only:** No  
**Approved:** 25-Mar-2010 **Renewed:** 25-Mar-2022 **Bypass:** Wilkins 950XLD 3/4" (VU)  
**Shutoffs:** (qqq),ttt,www,yyy,zzz,eeee,uuuu,vvvv,xxxx,yyyy,kkkkk,llll,iiii,jjjj,lllll,mmmmmm  
**Notes:** Integral grooved spool between the #2 ck and #2 SOV - assembly length: min. 35 3/4" and max. 62 1/4"

---

**Type:** DCDA **Manufacturer:** Wilkins **Model:** 350ADAR  
**Size:** 4 **Orientation:** H **Meters:** (O), M  
**Manual:** 9 **0.25% Pb:** Yes **Spare Parts Only:** No  
**Approved:** 18-Feb-2014 **Renewed:** 18-Feb-2020 **Bypass:** Wilkins 950XLD 3/4" (VU)  
**Shutoffs:** (qqq),ttt,www,yyy,xxxx,yyyy,kkkkk,llll,lllll,mmmmmm  
**Notes:** Integral grooved spool between the #2 ck and #2 SOV - assembly length: min. 35 3/4" and max. 62 1/4" and Lead free compliant version: Starting Serial # E00687; By-pass Assembly Starting Serial # 3863325 and identified with NSF61 mark on meter

---

**Type:** DCDA **Manufacturer:** Wilkins **Model:** 350ADAR  
**Size:** 4 **Orientation:** VU **Meters:**  
(M),A,B,C,D,E,F,G,H,I,J,K,L,N,O,P,Q,T  
**Manual:** 9 **0.25% Pb:** No **Spare Parts Only:** No  
**Approved:** 25-Mar-2010 **Renewed:** 25-Mar-2022 **Bypass:** Wilkins 950XLD 3/4" (H)  
**Shutoffs:** (qqq),ttt,www,yyy,zzz,eeee,uuuu,vvvv,xxxx,yyyy,kkkkk,llll,iiii,jjjj,lllll,mmmmmm  
**Notes:** Integral grooved spool between the #2 ck and #2 SOV - assembly length: min. 35 3/4" and max. 62 1/4"

---

**Type:** DCDA **Manufacturer:** Wilkins **Model:** 350ADAR  
**Size:** 4 **Orientation:** VU **Meters:** (O), M  
**Manual:** 9 **0.25% Pb:** Yes **Spare Parts Only:** No  
**Approved:** 18-Feb-2014 **Renewed:** 18-Feb-2020 **Bypass:** Wilkins 950XLD 3/4" (H)  
**Shutoffs:** (qqq),ttt,www,yyy,xxxx,yyyy,kkkkk,llll,lllll,mmmmmm  
**Notes:** Integral grooved spool between the #2 ck and #2 SOV - assembly length: min. 35 3/4" and max. 62 1/4" and Lead free compliant version: Starting Serial # E00687; By-pass Assembly Starting Serial # 3863325 and identified with NSF61 mark on meter

**Type:** DCDA                                   **Manufacturer:** Wilkins                                   **Model:** 350ADAR  
**Size:** 6   **Orientation:** H   **Meters:**  
(M),A,B,C,D,E,F,G,H,I,J,K,L,N,O,P,Q,T  
**Manual:** 9                                       **0.25% Pb:** No                                       **Spare Parts Only:** No  
**Approved:** 25-Mar-2010                   **Renewed:** 25-Mar-2022                           **Bypass:** Wilkins 950XLD 3/4" (VU)  
**Shutoffs:** (qqq),ttt,www,yyy,zzz,eeee,uuuu,vvvv,xxxx,yyyy,kkkkk,l,llll,iiiiii,jjjjj,lllll,mmmmmm  
**Notes:** Integral grooved spool between the #2 ck and #2 SOV - assembly length: min. 42 1/2" and max. 71 1/4"

---

**Type:** DCDA                                   **Manufacturer:** Wilkins                                   **Model:** 350ADAR  
**Size:** 6   **Orientation:** H   **Meters:** (O), M  
**Manual:** 9                                       **0.25% Pb:** Yes                                       **Spare Parts Only:** No  
**Approved:** 18-Feb-2014                   **Renewed:** 18-Feb-2020                           **Bypass:** Wilkins 950XLD 3/4" (VU)  
**Shutoffs:** (qqq),ttt,www,yyy,xxxx,yyyy,kkkkk,l,llll,mmmmmm  
**Notes:** Integral grooved spool between the #2 ck and #2 SOV - assembly length: min. 42 1/2" and max. 71 1/4" and Lead free compliant version: Starting Serial # E00687; By-pass Assembly Starting Serial # 3863325 and identified with NSF61 mark on meter

---

**Type:** DCDA                                   **Manufacturer:** Wilkins                                   **Model:** 350ADAR  
**Size:** 6   **Orientation:** VU   **Meters:**  
(M),A,B,C,D,E,F,G,H,I,J,K,L,N,O,P,Q,T  
**Manual:** 9                                       **0.25% Pb:** No                                       **Spare Parts Only:** No  
**Approved:** 25-Mar-2010                   **Renewed:** 25-Mar-2022                           **Bypass:** Wilkins 950XLD 3/4" (H)  
**Shutoffs:** (qqq),ttt,www,yyy,zzz,eeee,uuuu,vvvv,xxxx,yyyy,kkkkk,l,llll,iiiiii,jjjjj,lllll,mmmmmm  
**Notes:** Integral grooved spool between the #2 ck and #2 SOV - assembly length: min. 42 1/2" and max. 71 1/4"

---

**Type:** DCDA                                   **Manufacturer:** Wilkins                                   **Model:** 350ADAR  
**Size:** 6   **Orientation:** VU   **Meters:** (O), M  
**Manual:** 9                                       **0.25% Pb:** Yes                                       **Spare Parts Only:** No  
**Approved:** 18-Feb-2014                   **Renewed:** 18-Feb-2020                           **Bypass:** Wilkins 950XLD 3/4" (H)  
**Shutoffs:** (qqq),ttt,www,yyy,xxxx,yyyy,kkkkk,l,llll,mmmmmm  
**Notes:** Integral grooved spool between the #2 ck and #2 SOV - assembly length: min. 42 1/2" and max. 71 1/4" and Lead free compliant version: Starting Serial # E00687; By-pass Assembly Starting Serial # 3863325 and identified with NSF61 mark on meter

---

**Type:** DCDA                                   **Manufacturer:** Wilkins                                   **Model:** 350ADAR  
**Size:** 8   **Orientation:** H   **Meters:**  
(M),A,B,C,D,E,F,G,H,I,J,K,L,N,O,P,Q,T  
**Manual:** 9                                       **0.25% Pb:** No                                       **Spare Parts Only:** No  
**Approved:** 25-Mar-2010                   **Renewed:** 25-Mar-2022                           **Bypass:** Wilkins 950XLD 3/4" (VU)  
**Shutoffs:** (qqq),ttt,www,yyy,zzz,eeee,uuuu,vvvv,xxxx,yyyy,kkkkk,l,llll,iiiiii,jjjjj,lllll,mmmmmm  
**Notes:** Integral grooved spool between the #2 ck and #2 SOV - assembly length: min. 57 7/8" and max. 86"

**Type:** DCDA                      **Manufacturer:** Wilkins                      **Model:** 350ADAR  
**Size:** 8                              **Orientation:** H                              **Meters:** (O), M  
**Manual:** 9                          **0.25% Pb:** Yes                              **Spare Parts Only:** No  
**Approved:** 18-Feb-2014              **Renewed:** 18-Feb-2020              **Bypass:** Wilkins 950XLD 3/4" (VU)  
**Shutoffs:** (qqq),ttt,www,yyy,xxxx,yyyy,kkkkk,lllll,llllll,mmmmmm  
**Notes:** Integral grooved spool between the #2 ck and #2 SOV - assembly length: min. 57 7/8" and max. 86" and Lead free compliant version: Starting Serial # E00687; By-pass Assembly Starting Serial # 3863325 and identified with NSF61 mark on meter

---

**Type:** DCDA                      **Manufacturer:** Wilkins                      **Model:** 350ADAR  
**Size:** 8                              **Orientation:** VU                              **Meters:**  
(M),A,B,C,D,E,F,G,H,I,J,K,L,N,O,P,Q,T  
**Manual:** 9                          **0.25% Pb:** No                              **Spare Parts Only:** No  
**Approved:** 25-Mar-2010              **Renewed:** 25-Mar-2022              **Bypass:** Wilkins 950XLD 3/4" (H)  
**Shutoffs:** (qqq),ttt,www,yyy,zzz,eeee,uuuu,vvvv,xxxx,yyyy,kkkkk,lllll,iiiii,jjjjj,llllll,mmmmmm  
**Notes:** Integral grooved spool between the #2 ck and #2 SOV - assembly length: min. 57 7/8" and max. 86"

---

**Type:** DCDA                      **Manufacturer:** Wilkins                      **Model:** 350ADAR  
**Size:** 8                              **Orientation:** VU                              **Meters:** (O), M  
**Manual:** 9                          **0.25% Pb:** Yes                              **Spare Parts Only:** No  
**Approved:** 18-Feb-2014              **Renewed:** 18-Feb-2020              **Bypass:** Wilkins 950XLD 3/4" (H)  
**Shutoffs:** (qqq),ttt,www,yyy,xxxx,yyyy,kkkkk,lllll,llllll,mmmmmm  
**Notes:** Integral grooved spool between the #2 ck and #2 SOV - assembly length: min. 57 7/8" and max. 86" and Lead free compliant version: Starting Serial # E00687; By-pass Assembly Starting Serial # 3863325 and identified with NSF61 mark on meter

---

**Type:** DCDA                      **Manufacturer:** Wilkins                      **Model:** 350ADAR  
**Size:** 10                              **Orientation:** H                              **Meters:**  
(M),A,B,C,D,E,F,G,H,I,J,K,L,N,O,P,Q,T  
**Manual:** 9                          **0.25% Pb:** No                              **Spare Parts Only:** No  
**Approved:** 25-Mar-2010              **Renewed:** 25-Mar-2022              **Bypass:** Wilkins 950XLD 3/4" (VU)  
**Shutoffs:** (qqq),ttt,www,yyy,zzz,eeee,uuuu,vvvv,xxxx,yyyy,kkkkk,lllll,iiiii,jjjjj,llllll,mmmmmm  
**Notes:** Integral grooved spool between the #2 ck and #2 SOV - assembly length: min. 61 3/8" and max. 100 5/8"

---

**Type:** DCDA                      **Manufacturer:** Wilkins                      **Model:** 350ADAR  
**Size:** 10                              **Orientation:** H                              **Meters:** (O), M  
**Manual:** 9                          **0.25% Pb:** Yes                              **Spare Parts Only:** No  
**Approved:** 18-Feb-2014              **Renewed:** 18-Feb-2020              **Bypass:** Wilkins 950XLD 3/4" (VU)  
**Shutoffs:** (qqq),ttt,www,yyy,xxxx,yyyy,kkkkk,lllll,llllll,mmmmmm  
**Notes:** Integral grooved spool between the #2 ck and #2 SOV - assembly length: min. 61 3/8" and max. 100 5/8" and Lead free compliant version: Starting Serial # E00687; By-pass Assembly Starting Serial # 3863325 and identified with NSF61 mark on meter

**Type:** DCDA                                **Manufacturer:** Wilkins                                **Model:** 350ADAR  
**Size:** 10                                    **Orientation:** VU    **Meters:**  
(M),A,B,C,D,E,F,G,H,I,J,K,L,N,O,P,Q,T  
**Manual:** 9                                    **0.25% Pb:** No    **Spare Parts Only:** No  
**Approved:** 25-Mar-2010                                **Renewed:** 25-Mar-2022                                **Bypass:** Wilkins 950XLD 3/4" (H)  
**Shutoffs:** (qqq),ttt,www,yyy,zzz,eeee,uuuu,vvvv,xxxx,yyyy,kkkkk,lllll,iiiii,jjjjj,lllll,mmmmmm  
**Notes:** Integral grooved spool between the #2 ck and #2 SOV - assembly length: min. 61 3/8" and max. 100 5/8"

---

**Type:** DCDA                                **Manufacturer:** Wilkins                                **Model:** 350ADAR  
**Size:** 10                                    **Orientation:** VU    **Meters:** (O), M  
**Manual:** 9                                    **0.25% Pb:** Yes    **Spare Parts Only:** No  
**Approved:** 18-Feb-2014                                **Renewed:** 18-Feb-2020                                **Bypass:** Wilkins 950XLD 3/4" (H)  
**Shutoffs:** (qqq),ttt,www,yyy,xxxx,yyyy,kkkkk,lllll,lllll,mmmmmm  
**Notes:** Integral grooved spool between the #2 ck and #2 SOV - assembly length: min. 61 3/8" and max. 100 5/8" and Lead free compliant version: Starting Serial # E00687; By-pass Assembly Starting Serial # 3863325 and identified with NSF61 mark on meter

---

**Type:** DCDA                                **Manufacturer:** Wilkins                                **Model:** 350ASTDA  
**Size:** 2 1/2                                    **Orientation:** H    **Meters:** (N),G,H,I,J,K,L,M,O,P,Q,T  
**Manual:** 10                                    **0.25% Pb:** No    **Spare Parts Only:** No  
**Approved:** 18-Apr-2013                                **Renewed:** 18-Apr-2022                                **Bypass:** Wilkins 950XLD 3/4" (H)  
**Shutoffs:** (qqq),ttt,www,yyy,uuuu,vvvv,xxxx,yyyy,kkkkk,lllll,iiiii,jjjjj,lllll,mmmmmm

---

**Type:** DCDA                                **Manufacturer:** Wilkins                                **Model:** 350ASTDA  
**Size:** 2 1/2                                    **Orientation:** H    **Meters:** (O), M  
**Manual:** 10                                    **0.25% Pb:** Yes    **Spare Parts Only:** No  
**Approved:** 18-Feb-2014                                **Renewed:** 18-Feb-2020                                **Bypass:** Wilkins 950XLD 3/4" (H)  
**Shutoffs:** (qqq),ttt,www,yyy,uuuu,vvvv,xxxx,yyyy,kkkkk,lllll,iiiii,jjjjj,lllll,mmmmmm  
**Notes:** Lead free compliant version: Starting Serial # 1458B; By-pass Assembly Starting Serial # 3863325 and identified with NSF61 mark on meter

---

**Type:** DCDA                                **Manufacturer:** Wilkins                                **Model:** 350ASTDA  
**Size:** 2 1/2                                    **Orientation:** VU    **Meters:** (N),G,H,I,J,K,L,M,O,P,Q,T  
**Manual:** 10                                    **0.25% Pb:** No    **Spare Parts Only:** No  
**Approved:** 18-Apr-2013                                **Renewed:** 18-Apr-2022                                **Bypass:** Wilkins 950XLD 3/4" (VU)  
**Shutoffs:** (qqq),ttt,www,yyy,uuuu,vvvv,xxxx,yyyy,kkkkk,lllll,iiiii,jjjjj,lllll,mmmmmm

---

**Type:** DCDA                               **Manufacturer:** Wilkins                               **Model:** 350ASTDA  
**Size:** 2 1/2                               **Orientation:** VU                               **Meters:** (O), M  
**Manual:** 10                               **0.25% Pb:** Yes                               **Spare Parts Only:** No  
**Approved:** 18-Feb-2014                               **Renewed:** 18-Feb-2020                               **Bypass:** Wilkins 950XLD 3/4" (VU)  
**Shutoffs:** (qqq),ttt,www,yyy,uuuu,vvvv,xxxx,yyyy,kkkkk,llll,iiiii,jjjjj,lllll,mmmmmm  
**Notes:** Lead free compliant version: Starting Serial # 1458B; By-pass Assembly Starting Serial # 3863325 and identified with NSF61 mark on meter

---

**Type:** DCDA                               **Manufacturer:** Wilkins                               **Model:** 350ASTDA  
**Size:** 3                               **Orientation:** H                               **Meters:** (N),G,H,I,J,K,L,M,O,P,Q,T  
**Manual:** 10                               **0.25% Pb:** No                               **Spare Parts Only:** No  
**Approved:** 18-Apr-2013                               **Renewed:** 18-Apr-2022                               **Bypass:** Wilkins 950XLD 3/4" (H)  
**Shutoffs:** (qqq),ttt,www,yyy,uuuu,vvvv,xxxx,yyyy,kkkkk,llll,iiiii,jjjjj,lllll,mmmmmm

---

**Type:** DCDA                               **Manufacturer:** Wilkins                               **Model:** 350ASTDA  
**Size:** 3                               **Orientation:** H                               **Meters:** (O), M  
**Manual:** 10                               **0.25% Pb:** Yes                               **Spare Parts Only:** No  
**Approved:** 18-Feb-2014                               **Renewed:** 18-Feb-2020                               **Bypass:** Wilkins 950XLD 3/4" (H)  
**Shutoffs:** (qqq),ttt,www,yyy,uuuu,vvvv,xxxx,yyyy,kkkkk,llll,iiiii,jjjjj,lllll,mmmmmm  
**Notes:** Lead free compliant version: Starting Serial # 1458B; By-pass Assembly Starting Serial # 3863325 and identified with NSF61 mark on meter

---

**Type:** DCDA                               **Manufacturer:** Wilkins                               **Model:** 350ASTDA  
**Size:** 3                               **Orientation:** VU                               **Meters:** (N),G,H,I,J,K,L,M,O,P,Q,T  
**Manual:** 10                               **0.25% Pb:** No                               **Spare Parts Only:** No  
**Approved:** 18-Apr-2013                               **Renewed:** 18-Apr-2022                               **Bypass:** Wilkins 950XLD 3/4" (VU)  
**Shutoffs:** (qqq),ttt,www,yyy,uuuu,vvvv,xxxx,yyyy,kkkkk,llll,iiiii,jjjjj,lllll,mmmmmm

---

**Type:** DCDA                               **Manufacturer:** Wilkins                               **Model:** 350ASTDA  
**Size:** 3                               **Orientation:** VU                               **Meters:** (O), M  
**Manual:** 10                               **0.25% Pb:** Yes                               **Spare Parts Only:** No  
**Approved:** 18-Feb-2014                               **Renewed:** 18-Feb-2020                               **Bypass:** Wilkins 950XLD 3/4" (VU)  
**Shutoffs:** (qqq),ttt,www,yyy,uuuu,vvvv,xxxx,yyyy,kkkkk,llll,iiiii,jjjjj,lllll,mmmmmm  
**Notes:** Lead free compliant version: Starting Serial # 1458B; By-pass Assembly Starting Serial # 3863325 and identified with NSF61 mark on meter

---

**Type:** DCDA                               **Manufacturer:** Wilkins                               **Model:** 350ASTDA  
**Size:** 4                               **Orientation:** H                               **Meters:** (N),F,G,H,I,J,K,L,M,O,P,Q,T  
**Manual:** 10                               **0.25% Pb:** No                               **Spare Parts Only:** No  
**Approved:** 18-Apr-2013                               **Renewed:** 18-Apr-2022                               **Bypass:** Wilkins 950XLD 3/4" (H)  
**Shutoffs:** (qqq),ttt,www,yyy,uuuu,vvvv,xxxx,yyyy,kkkkk,llll,iiiii,jjjjj,lllll,mmmmmm

**Type:** DCDA **Manufacturer:** Wilkins **Model:** 350ASTDA  
**Size:** 4 **Orientation:** H **Meters:** (O), M  
**Manual:** 10 **0.25% Pb:** Yes **Spare Parts Only:** No  
**Approved:** 18-Feb-2014 **Renewed:** 18-Feb-2020 **Bypass:** Wilkins 950XLD 3/4" (H)  
**Shutoffs:** (qqq),ttt,www,yyy,uuuu,vvvv,xxxx,yyyy,kkkkk,llll,iiiiii,jjjjjj,lllll,mmmmmm  
**Notes:** Lead free compliant version: Starting Serial # 1458B; By-pass Assembly Starting Serial # 3863325 and identified with NSF61 mark on meter

---

**Type:** DCDA **Manufacturer:** Wilkins **Model:** 350ASTDA  
**Size:** 4 **Orientation:** VU **Meters:** (N),F,G,H,I,J,K,L,M,O,P,Q,T  
**Manual:** 10 **0.25% Pb:** No **Spare Parts Only:** No  
**Approved:** 18-Apr-2013 **Renewed:** 18-Apr-2022 **Bypass:** Wilkins 950XLD 3/4" (VU)  
**Shutoffs:** (qqq),ttt,www,yyy,uuuu,vvvv,xxxx,yyyy,kkkkk,llll,iiiiii,jjjjjj,lllll,mmmmmm

---

**Type:** DCDA **Manufacturer:** Wilkins **Model:** 350ASTDA  
**Size:** 4 **Orientation:** VU **Meters:** (O), M  
**Manual:** 10 **0.25% Pb:** Yes **Spare Parts Only:** No  
**Approved:** 18-Feb-2014 **Renewed:** 18-Feb-2020 **Bypass:** Wilkins 950XLD 3/4" (VU)  
**Shutoffs:** (qqq),ttt,www,yyy,uuuu,vvvv,xxxx,yyyy,kkkkk,llll,iiiiii,jjjjjj,lllll,mmmmmm  
**Notes:** Lead free compliant version: Starting Serial # 1458B; By-pass Assembly Starting Serial # 3863325 and identified with NSF61 mark on meter

---

**Type:** DCDA **Manufacturer:** Wilkins **Model:** 350ASTDA  
**Size:** 6 **Orientation:** H **Meters:** (N),G,H,I,J,K,L,M,O,P,Q,T  
**Manual:** 10 **0.25% Pb:** No **Spare Parts Only:** No  
**Approved:** 03-Jul-2013 **Renewed:** 03-Jul-2022 **Bypass:** Wilkins 950XLD 3/4" (H)  
**Shutoffs:** (qqq),ttt,www,yyy,uuuu,vvvv,xxxx,yyyy,kkkkk,llll,iiiiii,jjjjjj,lllll,mmmmmm

---

**Type:** DCDA **Manufacturer:** Wilkins **Model:** 350ASTDA  
**Size:** 6 **Orientation:** H **Meters:** (O), M  
**Manual:** 10 **0.25% Pb:** Yes **Spare Parts Only:** No  
**Approved:** 18-Feb-2014 **Renewed:** 18-Feb-2020 **Bypass:** Wilkins 950XLD 3/4" (H)  
**Shutoffs:** (qqq),ttt,www,yyy,uuuu,vvvv,xxxx,yyyy,kkkkk,llll,iiiiii,jjjjjj,lllll,mmmmmm  
**Notes:** Lead free compliant version: Starting Serial # 1458B; By-pass Assembly Starting Serial # 3863325 and identified with NSF61 mark on meter

---

**Type:** DCDA **Manufacturer:** Wilkins **Model:** 350ASTDA  
**Size:** 6 **Orientation:** VU **Meters:** (N),G,H,I,J,K,L,M,O,P,Q,T  
**Manual:** 10 **0.25% Pb:** No **Spare Parts Only:** No  
**Approved:** 03-Jul-2013 **Renewed:** 03-Jul-2022 **Bypass:** Wilkins 950XLD 3/4" (VU)  
**Shutoffs:** (qqq),ttt,www,yyy,uuuu,vvvv,xxxx,yyyy,kkkkk,llll,iiiiii,jjjjjj,lllll,mmmmmm



**Type:** DCDA                                      **Manufacturer:** Wilkins                                      **Model:** 350ASTDA  
**Size:** 6    **Orientation:** VU    **Meters:** (O), M  
**Manual:** 10    **0.25% Pb:** Yes    **Spare Parts Only:** No  
**Approved:** 18-Feb-2014                                      **Renewed:** 18-Feb-2020                                      **Bypass:** Wilkins 950XLD 3/4" (VU)  
**Shutoffs:** (qqq),ttt,www,yyy,uuuu,vvvv,xxxx,yyyy,kkkkk,llll,iiiiii,jjjjj,lllll,mmmmmm  
**Notes:** Lead free compliant version: Starting Serial # 1458B; By-pass Assembly Starting Serial # 3863325 and identified with NSF61 mark on meter

---

**Type:** DCDA                                      **Manufacturer:** Wilkins                                      **Model:** 350ASTDA  
**Size:** 8    **Orientation:** H    **Meters:** (O), M  
**Manual:** 10    **0.25% Pb:** Yes    **Spare Parts Only:** No  
**Approved:** 20-Feb-2014                                      **Renewed:** 20-Feb-2020                                      **Bypass:** Wilkins 950XLD 3/4" (H)  
**Shutoffs:** (qqq),ttt,www,yyy,uuuu,vvvv,xxxx,yyyy,kkkkk,llll,iiiiii,jjjjj,lllll,mmmmmm  
**Notes:** Lead free compliant version: By-pass Assembly Starting Serial # 3863325 and identified with NSF61 mark on meter

---

**Type:** DCDA                                      **Manufacturer:** Wilkins                                      **Model:** 350ASTDA  
**Size:** 8    **Orientation:** VU    **Meters:** (O), M  
**Manual:** 10    **0.25% Pb:** Yes    **Spare Parts Only:** No  
**Approved:** 20-Feb-2014                                      **Renewed:** 20-Feb-2020                                      **Bypass:** Wilkins 950XLD 3/4" (VU)  
**Shutoffs:** (qqq),ttt,www,yyy,uuuu,vvvv,xxxx,yyyy,kkkkk,llll,iiiiii,jjjjj,lllll,mmmmmm  
**Notes:** Lead free compliant version: By-pass Assembly Starting Serial # 3863325 and identified with NSF61 mark on meter

---

**Type:** DCDA                                      **Manufacturer:** Wilkins                                      **Model:** 350ASTDA  
**Size:** 10    **Orientation:** H    **Meters:** (O), M  
**Manual:** 10    **0.25% Pb:** Yes    **Spare Parts Only:** No  
**Approved:** 20-Feb-2014                                      **Renewed:** 20-Feb-2020                                      **Bypass:** Wilkins 950XLD 3/4" (H)  
**Shutoffs:** (qqq),ttt,www,yyy,uuuu,vvvv,xxxx,yyyy,kkkkk,llll,iiiiii,jjjjj,lllll,mmmmmm  
**Notes:** Lead free compliant version: By-pass Assembly Starting Serial # 3863325 and identified with NSF61 mark on meter

---

**Type:** DCDA                                      **Manufacturer:** Wilkins                                      **Model:** 350ASTDA  
**Size:** 10    **Orientation:** VU    **Meters:** (O), M  
**Manual:** 10    **0.25% Pb:** Yes    **Spare Parts Only:** No  
**Approved:** 20-Feb-2014                                      **Renewed:** 20-Feb-2020                                      **Bypass:** Wilkins 950XLD 3/4" (VU)  
**Shutoffs:** (qqq),ttt,www,yyy,uuuu,vvvv,xxxx,yyyy,kkkkk,llll,iiiiii,jjjjj,lllll,mmmmmm  
**Notes:** Lead free compliant version: By-pass Assembly Starting Serial # 3863325 and identified with NSF61 mark on meter

**Type:** DCDA                                   **Manufacturer:** Wilkins                                   **Model:** 350ASTDAR  
**Size:** 2 1/2                                   **Orientation:** H                                   **Meters:** (O), M  
**Manual:** 10                                   **0.25% Pb:** Yes                                   **Spare Parts Only:** No  
**Approved:** 09-Oct-2014                                   **Renewed:** 09-Oct-2020                                   **Bypass:** Wilkins 950XLD 3/4" (H)  
**Shutoffs:** (yyyy),ttt,www,yyy,uuuu,vvvv,xxxx,kkkkk,llll,iiii,jjjjj,lllll,mmmmmm  
**Notes:** Integral grooved spool between the #2 ck and #2 SOV - assembly length: min. 31" and max. 47 1/8"

---

**Type:** DCDA                                   **Manufacturer:** Wilkins                                   **Model:** 350ASTDAR  
**Size:** 2 1/2                                   **Orientation:** VU                                   **Meters:** (O), M  
**Manual:** 10                                   **0.25% Pb:** Yes                                   **Spare Parts Only:** No  
**Approved:** 09-Oct-2014                                   **Renewed:** 09-Oct-2020                                   **Bypass:** Wilkins 950XLD 3/4" (VU)  
**Shutoffs:** (yyyy),ttt,www,yyy,uuuu,vvvv,xxxx,kkkkk,llll,iiii,jjjjj,lllll,mmmmmm  
**Notes:** Integral grooved spool between the #2 ck and #2 SOV - assembly length: min. 31" and max. 47 1/8"

---

**Type:** DCDA                                   **Manufacturer:** Wilkins                                   **Model:** 350ASTDAR  
**Size:** 3                                   **Orientation:** H                                   **Meters:** (O), M  
**Manual:** 10                                   **0.25% Pb:** Yes                                   **Spare Parts Only:** No  
**Approved:** 09-Oct-2014                                   **Renewed:** 09-Oct-2020                                   **Bypass:** Wilkins 950XLD 3/4" (H)  
**Shutoffs:** (yyyy),ttt,www,yyy,uuuu,vvvv,xxxx,kkkkk,llll,iiii,jjjjj,lllll,mmmmmm  
**Notes:** Integral grooved spool between the #2 ck and #2 SOV - assembly length: min. 31 1/2" and max. 48 1/8"

---

**Type:** DCDA                                   **Manufacturer:** Wilkins                                   **Model:** 350ASTDAR  
**Size:** 3                                   **Orientation:** VU                                   **Meters:** (O), M  
**Manual:** 10                                   **0.25% Pb:** Yes                                   **Spare Parts Only:** No  
**Approved:** 09-Oct-2014                                   **Renewed:** 09-Oct-2020                                   **Bypass:** Wilkins 950XLD 3/4" (VU)  
**Shutoffs:** (yyyy),ttt,www,yyy,uuuu,vvvv,xxxx,kkkkk,llll,iiii,jjjjj,lllll,mmmmmm  
**Notes:** Integral grooved spool between the #2 ck and #2 SOV - assembly length: min. 31 1/2" and max. 48 1/8"

---

**Type:** DCDA                                   **Manufacturer:** Wilkins                                   **Model:** 350ASTDAR  
**Size:** 4                                   **Orientation:** H                                   **Meters:** (O), M  
**Manual:** 10                                   **0.25% Pb:** Yes                                   **Spare Parts Only:** No  
**Approved:** 09-Oct-2014                                   **Renewed:** 09-Oct-2020                                   **Bypass:** Wilkins 950XLD 3/4" (H)  
**Shutoffs:** (yyyy),ttt,www,yyy,uuuu,vvvv,xxxx,kkkkk,llll,iiii,jjjjj,lllll,mmmmmm  
**Notes:** Integral grooved spool between the #2 ck and #2 SOV - assembly length: min. 32 5/8" and max. 62 1/4"

---

**Type:** DCDA                                   **Manufacturer:** Wilkins                                   **Model:** 350ASTDAR  
**Size:** 4                                   **Orientation:** VU                                   **Meters:** (O), M  
**Manual:** 10                                   **0.25% Pb:** Yes                                   **Spare Parts Only:** No  
**Approved:** 09-Oct-2014                                   **Renewed:** 09-Oct-2020                                   **Bypass:** Wilkins 950XLD 3/4" (VU)  
**Shutoffs:** (yyyy),ttt,www,yyy,uuuu,vvvv,xxxx,kkkkk,llll,iiii,jjjjj,lllll,mmmmmm  
**Notes:** Integral grooved spool between the #2 ck and #2 SOV - assembly length: min. 32 5/8" and max. 62 1/4"

**Type:** DCDA **Manufacturer:** Wilkins **Model:** 350ASTDAR  
**Size:** 6 **Orientation:** H **Meters:** (O), M  
**Manual:** 10 **0.25% Pb:** Yes **Spare Parts Only:** No  
**Approved:** 18-Sep-2014 **Renewed:** 18-Sep-2020 **Bypass:** Wilkins 950XLD 3/4" (H)  
**Shutoffs:** (yyyy),ttt,www,yyy,uuuu,vvvv,xxxx,kkkkk,l,l,l,l,i,i,i,i,i,j,j,j,j,j,l,l,l,l,l,m,m,m,m,m,m  
**Notes:** Integral grooved spool between the #2 ck and #2 SOV - assembly length: min. 39" and max. 71 1/4"

---

**Type:** DCDA **Manufacturer:** Wilkins **Model:** 350ASTDAR  
**Size:** 6 **Orientation:** VU **Meters:** (O), M  
**Manual:** 10 **0.25% Pb:** Yes **Spare Parts Only:** No  
**Approved:** 18-Sep-2014 **Renewed:** 18-Sep-2020 **Bypass:** Wilkins 950XLD 3/4" (VU)  
**Shutoffs:** (yyyy),ttt,www,yyy,uuuu,vvvv,xxxx,kkkkk,l,l,l,l,i,i,i,i,i,j,j,j,j,j,l,l,l,l,l,m,m,m,m,m,m  
**Notes:** Integral grooved spool between the #2 ck and #2 SOV - assembly length: min. 39" and max. 71 1/4"

---

**Type:** DCDA **Manufacturer:** Wilkins **Model:** 350ASTDAR  
**Size:** 8 **Orientation:** H **Meters:** (O), M  
**Manual:** 10 **0.25% Pb:** Yes **Spare Parts Only:** No  
**Approved:** 18-Sep-2014 **Renewed:** 18-Sep-2020 **Bypass:** Wilkins 950XLD 3/4" (H)  
**Shutoffs:** (yyyy),ttt,www,yyy,uuuu,vvvv,xxxx,kkkkk,l,l,l,l,i,i,i,i,i,j,j,j,j,j,l,l,l,l,l,m,m,m,m,m,m  
**Notes:** Integral grooved spool between the #2 ck and #2 SOV - assembly length: min. 48 3/4" and max. 86"

---

**Type:** DCDA **Manufacturer:** Wilkins **Model:** 350ASTDAR  
**Size:** 8 **Orientation:** VU **Meters:** (O), M  
**Manual:** 10 **0.25% Pb:** Yes **Spare Parts Only:** No  
**Approved:** 18-Sep-2014 **Renewed:** 18-Sep-2020 **Bypass:** Wilkins 950XLD 3/4" (VU)  
**Shutoffs:** (yyyy),ttt,www,yyy,uuuu,vvvv,xxxx,kkkkk,l,l,l,l,i,i,i,i,i,j,j,j,j,j,l,l,l,l,l,m,m,m,m,m,m  
**Notes:** Integral grooved spool between the #2 ck and #2 SOV - assembly length: min. 48 3/4" and max. 86"

---

**Type:** DCDA **Manufacturer:** Wilkins **Model:** 350ASTDAR  
**Size:** 10 **Orientation:** H **Meters:** (O), M  
**Manual:** 10 **0.25% Pb:** Yes **Spare Parts Only:** No  
**Approved:** 18-Sep-2014 **Renewed:** 18-Sep-2020 **Bypass:** Wilkins 950XLD 3/4" (H)  
**Shutoffs:** (yyyy),ttt,www,yyy,uuuu,vvvv,xxxx,kkkkk,l,l,l,l,i,i,i,i,i,j,j,j,j,j,l,l,l,l,l,m,m,m,m,m,m  
**Notes:** Integral grooved spool between the #2 ck and #2 SOV - assembly length: min. 52 5/8" and max. 100 5/8"

---

**Type:** DCDA **Manufacturer:** Wilkins **Model:** 350ASTDAR  
**Size:** 10 **Orientation:** VU **Meters:** (O), M  
**Manual:** 10 **0.25% Pb:** Yes **Spare Parts Only:** No  
**Approved:** 18-Sep-2014 **Renewed:** 18-Sep-2020 **Bypass:** Wilkins 950XLD 3/4" (VU)  
**Shutoffs:** (yyyy),ttt,www,yyy,uuuu,vvvv,xxxx,kkkkk,l,l,l,l,i,i,i,i,i,j,j,j,j,j,l,l,l,l,l,m,m,m,m,m,m  
**Notes:** Integral grooved spool between the #2 ck and #2 SOV - assembly length: min. 52 5/8" and max. 100 5/8"

**Type:** DCDA                                      **Manufacturer:** Wilkins                                      **Model:** 350DA  
**Size:** 2 1/2                                      **Orientation:** H                                      **Meters:**  
(M),A,B,C,D,E,F,G,H,I,J,K,L,N,O,P,Q,T  
**Manual:** 9                                      **0.25% Pb:** No                                      **Spare Parts Only:** No  
**Approved:** 03-Apr-2002                                      **Renewed:** 03-Apr-2020                                      **Bypass:** Wilkins 950XLD 3/4" (H)  
**Shutoffs:** (hh),ff,mm,uu,zz,vvvv,www,yyyy,zzzz,kkkkk,jjjjj,kkkkkk,mmmmmm,nnnnnn  
**Notes:** Up to Serial # N4230

---

**Type:** DCDA                                      **Manufacturer:** Wilkins                                      **Model:** 350DA  
**Size:** 2 1/2                                      **Orientation:** H                                      **Meters:** (O), M  
**Manual:** 9                                      **0.25% Pb:** Yes                                      **Spare Parts Only:** No  
**Approved:** 18-Feb-2014                                      **Renewed:** 18-Feb-2020                                      **Bypass:** Wilkins 950XLD 3/4" (H)  
**Shutoffs:** (hh),qqq,vvv,www,yyyy,zzzz,kkkkk,mmmmmm,nnnnnn  
**Notes:** Lead free compliant version: Starting Serial # N4231; By-pass Assembly Starting Serial # 3863325 and identified with NSF61 mark on meter

---

**Type:** DCDA                                      **Manufacturer:** Wilkins                                      **Model:** 350DA  
**Size:** 2 1/2                                      **Orientation:** VU                                      **Meters:**  
(M),A,B,C,D,E,F,G,H,I,J,K,L,N,O,P,Q,T  
**Manual:** 9                                      **0.25% Pb:** No                                      **Spare Parts Only:** No  
**Approved:** 08-Oct-2002                                      **Renewed:** 08-Oct-2020                                      **Bypass:** Wilkins 950XLD 3/4" (VU)  
**Shutoffs:** (hh),ff,mm,uu,zz,vvvv,www,yyyy,zzzz,kkkkk,jjjjj,kkkkkk,mmmmmm,nnnnnn  
**Notes:** Up to Serial # N4230

---

**Type:** DCDA                                      **Manufacturer:** Wilkins                                      **Model:** 350DA  
**Size:** 2 1/2                                      **Orientation:** VU                                      **Meters:** (O), M  
**Manual:** 9                                      **0.25% Pb:** Yes                                      **Spare Parts Only:** No  
**Approved:** 18-Feb-2014                                      **Renewed:** 18-Feb-2020                                      **Bypass:** Wilkins 950XLD 3/4" (VU)  
**Shutoffs:** (hh),qqq,vvv,www,yyyy,zzzz,kkkkk,mmmmmm,nnnnnn  
**Notes:** Lead free compliant version: Starting Serial # N4231; By-pass Assembly Starting Serial # 3863325 and identified with NSF61 mark on meter

---

**Type:** DCDA                                      **Manufacturer:** Wilkins                                      **Model:** 350DA  
**Size:** 3                                      **Orientation:** H                                      **Meters:**  
(M),A,B,C,D,E,F,G,H,I,J,K,L,N,O,P,Q,T  
**Manual:** 9                                      **0.25% Pb:** No                                      **Spare Parts Only:** No  
**Approved:** 03-Apr-2002                                      **Renewed:** 03-Apr-2020                                      **Bypass:** Wilkins 950XLD 3/4" (H)  
**Shutoffs:** (hh),ff,mm,uu,zz,vvvv,www,yyyy,zzzz,kkkkk,jjjjj,kkkkkk,mmmmmm,nnnnnn  
**Notes:** Up to Serial # N4230

**Type:** DCDA   **Manufacturer:** Wilkins   **Model:** 350DA  
**Size:** 3   **Orientation:** H   **Meters:**  
(M),A,B,C,D,E,F,G,H,I,J,K,L,N,O,P,Q,T  
**Manual:** 9   **0.25% Pb:** Yes   **Spare Parts Only:** No  
**Approved:** 03-Apr-2002   **Renewed:** 03-Apr-2020   **Bypass:** Wilkins 950XLD 3/4" (H)  
**Shutoffs:** (hh),ff,mm,uu,zz,vvvv,www,yyyy,zzzz,kkkkk,jjjjjj,kkkkkk,mmmmmm,nnnnnn  
**Notes:** Starting Serial # N4231; By-pass Assembly Starting Serial # 3863325 and Lead free compliant version identified with NSF61 mark on meter

---

**Type:** DCDA   **Manufacturer:** Wilkins   **Model:** 350DA  
**Size:** 3   **Orientation:** H   **Meters:** (O), M  
**Manual:** 9   **0.25% Pb:** Yes   **Spare Parts Only:** No  
**Approved:** 18-Feb-2014   **Renewed:** 18-Feb-2020   **Bypass:** Wilkins 950XLD 3/4" (H)  
**Shutoffs:** (hh),qqq,vvv,www,yyyy,zzzz,mmmmmm,nnnnnn  
**Notes:** Lead free compliant version: Starting Serial # N4231; By-pass Assembly Starting Serial # 3863325 and identified with NSF61 mark on meter

---

**Type:** DCDA   **Manufacturer:** Wilkins   **Model:** 350DA  
**Size:** 3   **Orientation:** VU   **Meters:**  
(M),A,B,C,D,E,F,G,H,I,J,K,L,N,O,P,Q,T  
**Manual:** 9   **0.25% Pb:** No   **Spare Parts Only:** No  
**Approved:** 08-Oct-2002   **Renewed:** 08-Oct-2020   **Bypass:** Wilkins 950XLD 3/4" (VU)  
**Shutoffs:** (hh),ff,mm,uu,zz,vvvv,www,yyyy,zzzz,kkkkk,jjjjjj,kkkkkk,mmmmmm,nnnnnn  
**Notes:** Up to Serial # N4230

---

**Type:** DCDA   **Manufacturer:** Wilkins   **Model:** 350DA  
**Size:** 3   **Orientation:** VU   **Meters:**  
(M),A,B,C,D,E,F,G,H,I,J,K,L,N,O,P,Q,T  
**Manual:** 9   **0.25% Pb:** Yes   **Spare Parts Only:** No  
**Approved:** 08-Oct-2002   **Renewed:** 08-Oct-2020   **Bypass:** Wilkins 950XLD 3/4" (VU)  
**Shutoffs:** (hh),ff,mm,uu,zz,vvvv,www,yyyy,zzzz,kkkkk,jjjjjj,kkkkkk,mmmmmm,nnnnnn  
**Notes:** Starting Serial # N4231; By-pass Assembly Starting Serial # 3863325 and Lead free compliant version identified with NSF61 mark on meter

---

**Type:** DCDA   **Manufacturer:** Wilkins   **Model:** 350DA  
**Size:** 3   **Orientation:** VU   **Meters:** (O), M  
**Manual:** 9   **0.25% Pb:** Yes   **Spare Parts Only:** No  
**Approved:** 18-Feb-2014   **Renewed:** 18-Feb-2020   **Bypass:** Wilkins 950XLD 3/4" (VU)  
**Shutoffs:** (hh),qqq,vvv,www,yyyy,zzzz,mmmmmm,nnnnnn  
**Notes:** Lead free compliant version: Starting Serial # N4231; By-pass Assembly Starting Serial # 3863325 and identified with NSF61 mark on meter

**Type:** DCDA                            **Manufacturer:** Wilkins                            **Model:** 350DA  
**Size:** 4                                    **Orientation:** H                                    **Meters:**  
(M),A,B,C,D,E,F,G,H,I,J,K,L,N,O,P,Q,T  
**Manual:** 9                                **0.25% Pb:** No                                **Spare Parts Only:** No  
**Approved:** 15-Sep-1999                            **Renewed:** 15-Sep-2020                            **Bypass:** Wilkins 950XLD 3/4" (H)  
**Shutoffs:** (hh),ff,mm,uu,zz,qqq,vvv,www,zzz,eeee,vvvv,wwwwww,yyyy,zzzz,kkkkk,jjjjj,kkkkkk,mmmmmm,nnnnnn  
**Notes:** Up to Serial # N4230

---

**Type:** DCDA                            **Manufacturer:** Wilkins                            **Model:** 350DA  
**Size:** 4                                    **Orientation:** H                                    **Meters:**  
(M),A,B,C,D,E,F,G,H,I,J,K,L,N,O,P,Q,T  
**Manual:** 9                                **0.25% Pb:** Yes                                **Spare Parts Only:** No  
**Approved:** 15-Sep-1999                            **Renewed:** 15-Sep-2020                            **Bypass:** Wilkins 950XLD 3/4" (H)  
**Shutoffs:** (hh),ff,mm,uu,zz,qqq,vvv,www,zzz,eeee,vvvv,wwwwww,yyyy,zzzz,kkkkk,jjjjj,kkkkkk,mmmmmm,nnnnnn  
**Notes:** Starting Serial # N4231; By-pass Assembly Starting Serial # 3863325 and Lead free compliant version identified with NSF61 mark on meter

---

**Type:** DCDA                            **Manufacturer:** Wilkins                            **Model:** 350DA  
**Size:** 4                                    **Orientation:** H                                    **Meters:** (O), M  
**Manual:** 9                                **0.25% Pb:** Yes                                **Spare Parts Only:** No  
**Approved:** 18-Feb-2014                            **Renewed:** 18-Feb-2020                            **Bypass:** Wilkins 950XLD 3/4" (H)  
**Shutoffs:** (hh),qqq,vvv,www,yyyy,zzzz,mmmmmm,nnnnnn  
**Notes:** Lead free compliant version: Starting Serial # N4231; By-pass Assembly Starting Serial # 3863325 and identified with NSF61 mark on meter

---

**Type:** DCDA                            **Manufacturer:** Wilkins                            **Model:** 350DA  
**Size:** 4                                    **Orientation:** VU                                    **Meters:**  
(M),A,B,C,D,E,F,G,H,I,J,K,L,N,O,P,Q,T  
**Manual:** 9                                **0.25% Pb:** No                                **Spare Parts Only:** No  
**Approved:** 09-Sep-2000                            **Renewed:** 09-Sep-2021                            **Bypass:** Wilkins 950XLD 3/4" (VU)  
**Shutoffs:** (hh),ff,mm,uu,zz,qqq,vvv,www,zzz,eeee,vvvv,wwwwww,yyyy,zzzz,kkkkk,jjjjj,kkkkkk,mmmmmm,nnnnnn  
**Notes:** Up to Serial # N4230

---

**Type:** DCDA                            **Manufacturer:** Wilkins                            **Model:** 350DA  
**Size:** 4                                    **Orientation:** VU                                    **Meters:**  
(M),A,B,C,D,E,F,G,H,I,J,K,L,N,O,P,Q,T  
**Manual:** 9                                **0.25% Pb:** Yes                                **Spare Parts Only:** No  
**Approved:** 09-Sep-2000                            **Renewed:** 09-Sep-2021                            **Bypass:** Wilkins 950XLD 3/4" (VU)  
**Shutoffs:** (hh),ff,mm,uu,zz,qqq,vvv,www,zzz,eeee,vvvv,wwwwww,yyyy,zzzz,kkkkk,jjjjj,kkkkkk,mmmmmm,nnnnnn  
**Notes:** Starting Serial # N4231; By-pass Assembly Starting Serial # 3863325 and Lead free compliant version identified with NSF61 mark on meter

<b>Type:</b> DCDA	<b>Manufacturer:</b> Wilkins	<b>Model:</b> 350DA
<b>Size:</b> 4	<b>Orientation:</b> VU	<b>Meters:</b> (O), M
<b>Manual:</b> 9	<b>0.25% Pb:</b> Yes	<b>Spare Parts Only:</b> No
<b>Approved:</b> 18-Feb-2014	<b>Renewed:</b> 18-Feb-2020	<b>Bypass:</b> Wilkins 950XLD 3/4" (VU)
<b>Shutoffs:</b> (hh),qqq,vvv,www,yyyy,zzzz,mmmmmm,nnnnnn		
<b>Notes:</b> Lead free compliant version: Starting Serial # N4231; By-pass Assembly Starting Serial # 3863325 and identified with NSF61 mark on meter		

---

<b>Type:</b> DCDA	<b>Manufacturer:</b> Wilkins	<b>Model:</b> 350DA
<b>Size:</b> 6	<b>Orientation:</b> H	<b>Meters:</b> (M),A,B,C,D,E,F,G,H,I,J,K,L,N,O,P,Q,T
<b>Manual:</b> 9	<b>0.25% Pb:</b> No	<b>Spare Parts Only:</b> No
<b>Approved:</b> 18-Oct-1999	<b>Renewed:</b> 18-Oct-2020	<b>Bypass:</b> Wilkins 950XLD 3/4" (H)
<b>Shutoffs:</b> (hh),ff,mm,uu,zz,qqq,vvv,www,zzz,eeee,vvvv,wwww,yyyy,zzzz,kkkkk,jjjjj,kkkkkk,mmmmmm,nnnnnn		
<b>Notes:</b> Up to Serial # N4230		

---

<b>Type:</b> DCDA	<b>Manufacturer:</b> Wilkins	<b>Model:</b> 350DA
<b>Size:</b> 6	<b>Orientation:</b> H	<b>Meters:</b> (M),A,B,C,D,E,F,G,H,I,J,K,L,N,O,P,Q,T
<b>Manual:</b> 9	<b>0.25% Pb:</b> Yes	<b>Spare Parts Only:</b> No
<b>Approved:</b> 18-Oct-1999	<b>Renewed:</b> 18-Oct-2020	<b>Bypass:</b> Wilkins 950XLD 3/4" (H)
<b>Shutoffs:</b> (hh),ff,mm,uu,zz,qqq,vvv,www,zzz,eeee,vvvv,wwww,yyyy,zzzz,kkkkk,jjjjj,kkkkkk,mmmmmm,nnnnnn		
<b>Notes:</b> Starting Serial # N4231; By-pass Assembly Starting Serial # 3863325 and Lead free compliant version identified with NSF61 mark on meter		

---

<b>Type:</b> DCDA	<b>Manufacturer:</b> Wilkins	<b>Model:</b> 350DA
<b>Size:</b> 6	<b>Orientation:</b> H	<b>Meters:</b> (O), M
<b>Manual:</b> 9	<b>0.25% Pb:</b> Yes	<b>Spare Parts Only:</b> No
<b>Approved:</b> 18-Feb-2014	<b>Renewed:</b> 18-Feb-2020	<b>Bypass:</b> Wilkins 950XLD 3/4" (H)
<b>Shutoffs:</b> (hh),qqq,vvv,www,yyyy,zzzz,mmmmmm,nnnnnn		
<b>Notes:</b> Lead free compliant version: Starting Serial # N4231; By-pass Assembly Starting Serial # 3863325 and identified with NSF61 mark on meter		

---

<b>Type:</b> DCDA	<b>Manufacturer:</b> Wilkins	<b>Model:</b> 350DA
<b>Size:</b> 6	<b>Orientation:</b> VU	<b>Meters:</b> (M),A,B,C,D,E,F,G,H,I,J,K,L,N,O,P,Q,T
<b>Manual:</b> 9	<b>0.25% Pb:</b> No	<b>Spare Parts Only:</b> No
<b>Approved:</b> 05-Jan-2000	<b>Renewed:</b> 05-Jan-2020	<b>Bypass:</b> Wilkins 950XLD 3/4" (VU)
<b>Shutoffs:</b> (hh),ff,mm,uu,zz,qqq,vvv,www,zzz,eeee,vvvv,wwww,yyyy,zzzz,kkkkk,jjjjj,kkkkkk,mmmmmm,nnnnnn		
<b>Notes:</b> Up to Serial # N4230		

---

**Type:** DCDA    **Manufacturer:** Wilkins    **Model:** 350DA  
**Size:** 6    **Orientation:** VU    **Meters:**  
(M),A,B,C,D,E,F,G,H,I,J,K,L,N,O,P,Q,T  
**Manual:** 9    **0.25% Pb:** Yes    **Spare Parts Only:** No  
**Approved:** 05-Jan-2000    **Renewed:** 05-Jan-2020    **Bypass:** Wilkins 950XLD 3/4" (VU)  
**Shutoffs:** (hh),ff,mm,uu,zz,qqq,vvv,www,zzz,eeee,vvvv,wwww,yyyy,zzzz,kkkkkk,jjjjj,kkkkkk,mmmmmm,nnnnnn  
**Notes:** Starting Serial # N4231; By-pass Assembly Starting Serial # 3863325 and Lead free compliant version identified with NSF61 mark on meter

---

**Type:** DCDA    **Manufacturer:** Wilkins    **Model:** 350DA  
**Size:** 6    **Orientation:** VU    **Meters:** (O), M  
**Manual:** 9    **0.25% Pb:** Yes    **Spare Parts Only:** No  
**Approved:** 18-Feb-2014    **Renewed:** 18-Feb-2020    **Bypass:** Wilkins 950XLD 3/4" (VU)  
**Shutoffs:** (hh),qqq,vvv,www,yyyy,zzzz,mmmmmm,nnnnnn  
**Notes:** Lead free compliant version: Starting Serial # N4231; By-pass Assembly Starting Serial # 3863325 and identified with NSF61 mark on meter

---

**Type:** DCDA    **Manufacturer:** Wilkins    **Model:** 350DA  
**Size:** 8    **Orientation:** H    **Meters:** (N),F,G,H,I,J,K,L,M,O,P,Q,T  
**Manual:** 9    **0.25% Pb:** No    **Spare Parts Only:** No  
**Approved:** 03-Jul-2002    **Renewed:** 03-Jul-2020    **Bypass:** Wilkins 950XLD 3/4" (H)  
**Shutoffs:** (hh),ff,mm,uu,zz,qqq,vvv,www,zzz,eeee,vvvv,wwww,yyyy,zzzz,kkkkkk,jjjjj,kkkkkk,mmmmmm,nnnnnn  
**Notes:** Up to Serial # N4230

---

**Type:** DCDA    **Manufacturer:** Wilkins    **Model:** 350DA  
**Size:** 8    **Orientation:** H    **Meters:** (N),F,G,H,I,J,K,L,M,O,P,Q,T  
**Manual:** 9    **0.25% Pb:** Yes    **Spare Parts Only:** No  
**Approved:** 03-Jul-2002    **Renewed:** 03-Jul-2020    **Bypass:** Wilkins 950XLD 3/4" (H)  
**Shutoffs:** (hh),ff,mm,uu,zz,qqq,vvv,www,zzz,eeee,vvvv,wwww,yyyy,zzzz,kkkkkk,jjjjj,kkkkkk,mmmmmm,nnnnnn  
**Notes:** Starting Serial # N4231; By-pass Assembly Starting Serial # 3863325 and Lead free compliant version identified with NSF61 mark on meter

---

**Type:** DCDA    **Manufacturer:** Wilkins    **Model:** 350DA  
**Size:** 8    **Orientation:** H    **Meters:** (O), M  
**Manual:** 9    **0.25% Pb:** Yes    **Spare Parts Only:** No  
**Approved:** 18-Feb-2014    **Renewed:** 18-Feb-2020    **Bypass:** Wilkins 950XLD 3/4" (H)  
**Shutoffs:** (hh),qqq,vvv,www,yyyy,zzzz,mmmmmm,nnnnnn  
**Notes:** Lead free compliant version: Starting Serial # N4231; By-pass Assembly Starting Serial # 3863325 and identified with NSF61 mark on meter

---



<b>Type:</b> DCDA	<b>Manufacturer:</b> Wilkins	<b>Model:</b> 350DA
<b>Size:</b> 8	<b>Orientation:</b> VU	<b>Meters:</b> (N),F,G,H,I,J,K,L,M,O,P,Q,T
<b>Manual:</b> 9	<b>0.25% Pb:</b> No	<b>Spare Parts Only:</b> No
<b>Approved:</b> 16-Jan-2003	<b>Renewed:</b> 16-Jan-2021	<b>Bypass:</b> Wilkins 950XLD 3/4" (VU)
<b>Shutoffs:</b> (hh),ff,mm,uu,zz,qqq,vvv,www,zzz,eeee,vvvv,wwww,yyyy,zzzz,kkkkk,jjjjj,kkkkkk,mmmmmm,nnnnnn		
<b>Notes:</b> Up to Serial # N4230		

---

<b>Type:</b> DCDA	<b>Manufacturer:</b> Wilkins	<b>Model:</b> 350DA
<b>Size:</b> 8	<b>Orientation:</b> VU	<b>Meters:</b> (N),F,G,H,I,J,K,L,M,O,P,Q,T
<b>Manual:</b> 9	<b>0.25% Pb:</b> Yes	<b>Spare Parts Only:</b> No
<b>Approved:</b> 16-Jan-2003	<b>Renewed:</b> 16-Jan-2021	<b>Bypass:</b> Wilkins 950XLD 3/4" (VU)
<b>Shutoffs:</b> (hh),ff,mm,uu,zz,qqq,vvv,www,zzz,eeee,vvvv,wwww,yyyy,zzzz,kkkkk,jjjjj,kkkkkk,mmmmmm,nnnnnn		
<b>Notes:</b> Starting Serial # N4231; By-pass Assembly Starting Serial # 3863325 and Lead free compliant version identified with NSF61 mark on meter		

---

<b>Type:</b> DCDA	<b>Manufacturer:</b> Wilkins	<b>Model:</b> 350DA
<b>Size:</b> 8	<b>Orientation:</b> VU	<b>Meters:</b> (O), M
<b>Manual:</b> 9	<b>0.25% Pb:</b> Yes	<b>Spare Parts Only:</b> No
<b>Approved:</b> 18-Feb-2014	<b>Renewed:</b> 18-Feb-2020	<b>Bypass:</b> Wilkins 950XLD 3/4" (VU)
<b>Shutoffs:</b> (hh),qqq,vvv,www,yyyy,zzzz,mmmmmm,nnnnnn		
<b>Notes:</b> Lead free compliant version: Starting Serial # N4231; By-pass Assembly Starting Serial # 3863325 and identified with NSF61 mark on meter		

---

<b>Type:</b> DCDA	<b>Manufacturer:</b> Wilkins	<b>Model:</b> 350DA
<b>Size:</b> 10	<b>Orientation:</b> H	<b>Meters:</b> (N),F,G,H,I,J,K,L,M,O,P,Q,T
<b>Manual:</b> 9	<b>0.25% Pb:</b> No	<b>Spare Parts Only:</b> No
<b>Approved:</b> 28-Aug-2002	<b>Renewed:</b> 28-Aug-2020	<b>Bypass:</b> Wilkins 950XLD 3/4" (H)
<b>Shutoffs:</b> (hh),ff,mm,uu,zz,qqq,vvv,www,zzz,eeee,vvvv,wwww,yyyy,zzzz,kkkkk,jjjjj,kkkkkk,mmmmmm,nnnnnn		
<b>Notes:</b> Up to Serial # N4230		

---

<b>Type:</b> DCDA	<b>Manufacturer:</b> Wilkins	<b>Model:</b> 350DA
<b>Size:</b> 10	<b>Orientation:</b> H	<b>Meters:</b> (N),F,G,H,I,J,K,L,M,O,P,Q,T
<b>Manual:</b> 9	<b>0.25% Pb:</b> Yes	<b>Spare Parts Only:</b> No
<b>Approved:</b> 28-Aug-2002	<b>Renewed:</b> 28-Aug-2020	<b>Bypass:</b> Wilkins 950XLD 3/4" (H)
<b>Shutoffs:</b> (hh),ff,mm,uu,zz,qqq,vvv,www,zzz,eeee,vvvv,wwww,yyyy,zzzz,kkkkk,jjjjj,kkkkkk,mmmmmm,nnnnnn		
<b>Notes:</b> Starting Serial # N4231; By-pass Assembly Starting Serial # 3863325 and Lead free compliant version identified with NSF61 mark on meter		

<b>Type:</b> DCDA	<b>Manufacturer:</b> Wilkins	<b>Model:</b> 350DA
<b>Size:</b> 10	<b>Orientation:</b> H	<b>Meters:</b> (O), M
<b>Manual:</b> 9	<b>0.25% Pb:</b> Yes	<b>Spare Parts Only:</b> No
<b>Approved:</b> 18-Feb-2014	<b>Renewed:</b> 18-Feb-2020	<b>Bypass:</b> Wilkins 950XLD 3/4" (H)
<b>Shutoffs:</b> (hh),qqq,vvv,www,yyyy,zzzz,mmmmmm,nnnnnn		
<b>Notes:</b> Lead free compliant version: Starting Serial # N4231; By-pass Assembly Starting Serial # 3863325 and identified with NSF61 mark on meter		

---

<b>Type:</b> DCDA	<b>Manufacturer:</b> Wilkins	<b>Model:</b> 350DA
<b>Size:</b> 10	<b>Orientation:</b> VU	<b>Meters:</b> (N),F,G,H,I,J,K,L,M,O,P,Q,T
<b>Manual:</b> 9	<b>0.25% Pb:</b> No	<b>Spare Parts Only:</b> No
<b>Approved:</b> 14-Mar-2003	<b>Renewed:</b> 14-Mar-2021	<b>Bypass:</b> Wilkins 950XLD 3/4" (VU)
<b>Shutoffs:</b> (hh),ff,mm,uu,zz,qqq,vvv,www,zzz,eeee,vvvv,wwww,yyyy,zzzz,kkkkk,jjjjj,kkkkkk,mmmmmm,nnnnnn		
<b>Notes:</b> Up to Serial # N4230		

---

<b>Type:</b> DCDA	<b>Manufacturer:</b> Wilkins	<b>Model:</b> 350DA
<b>Size:</b> 10	<b>Orientation:</b> VU	<b>Meters:</b> (N),F,G,H,I,J,K,L,M,O,P,Q,T
<b>Manual:</b> 9	<b>0.25% Pb:</b> Yes	<b>Spare Parts Only:</b> No
<b>Approved:</b> 14-Mar-2003	<b>Renewed:</b> 14-Mar-2021	<b>Bypass:</b> Wilkins 950XLD 3/4" (VU)
<b>Shutoffs:</b> (hh),ff,mm,uu,zz,qqq,vvv,www,zzz,eeee,vvvv,wwww,yyyy,zzzz,kkkkk,jjjjj,kkkkkk,mmmmmm,nnnnnn		
<b>Notes:</b> Starting Serial # N4231; By-pass Assembly Starting Serial # 3863325 and Lead free compliant version identified with NSF61 mark on meter		

---

<b>Type:</b> DCDA	<b>Manufacturer:</b> Wilkins	<b>Model:</b> 350DA
<b>Size:</b> 10	<b>Orientation:</b> VU	<b>Meters:</b> (O), M
<b>Manual:</b> 9	<b>0.25% Pb:</b> Yes	<b>Spare Parts Only:</b> No
<b>Approved:</b> 18-Feb-2014	<b>Renewed:</b> 18-Feb-2020	<b>Bypass:</b> Wilkins 950XLD 3/4" (VU)
<b>Shutoffs:</b> (hh),qqq,vvv,www,yyyy,zzzz,mmmmmm,nnnnnn		
<b>Notes:</b> Lead free compliant version: Starting Serial # N4231; By-pass Assembly Starting Serial # 3863325 and identified with NSF61 mark on meter		

---

<b>Type:</b> DCDA	<b>Manufacturer:</b> Wilkins	<b>Model:</b> 350DA
<b>Size:</b> 12	<b>Orientation:</b> H	<b>Meters:</b> (N),F,G,H,I,J,K,L,M,O,P,Q,T
<b>Manual:</b> 9	<b>0.25% Pb:</b> No	<b>Spare Parts Only:</b> No
<b>Approved:</b> 20-Oct-2009	<b>Renewed:</b> 20-Oct-2021	<b>Bypass:</b> Wilkins 950XLD 3/4" (H)
<b>Shutoffs:</b> (hh),vvvv,wwww,yyyy,zzzz,kkkkk,jjjjj,kkkkkk,mmmmmm,nnnnnn		
<b>Notes:</b> Up to Serial # N4230		

**Type:** DCDA                                    **Manufacturer:** Wilkins                                    **Model:** 350DA  
**Size:** 12                                        **Orientation:** H    **Meters:** (N),F,G,H,I,J,K,L,M,O,P,Q,T  
**Manual:** 9                                        **0.25% Pb:** Yes    **Spare Parts Only:** No  
**Approved:** 20-Oct-2009                                    **Renewed:** 20-Oct-2021                                    **Bypass:** Wilkins 950XLD 3/4" (H)  
**Shutoffs:** (hh),ssss,tttt,vvvv,www,yyyy,zzzz,jjjjjj,kkkkkk,mmmmmm,nnnnnn  
**Notes:** Starting Serial # N4231; By-pass Assembly Starting Serial # 3863325 and Lead free compliant version identified with NSF61 mark on meter

---

**Type:** DCDA                                    **Manufacturer:** Wilkins                                    **Model:** 350DA  
**Size:** 12                                        **Orientation:** H    **Meters:** (O)  
**Manual:** 9                                        **0.25% Pb:** Yes    **Spare Parts Only:** No  
**Approved:** 18-Feb-2014                                    **Renewed:** 18-Feb-2020                                    **Bypass:** Wilkins 950XLD 3/4" (H)  
**Shutoffs:** (hh),vvvv,www,yyyy,zzzz,kkkkk,jjjjjj,kkkkkk,mmmmmm,nnnnnn  
**Notes:** Lead free compliant version: Starting Serial # N4231; By-pass Assembly Starting Serial # 3863325 and identified with NSF61 mark on meter

---

**Type:** DCDA                                    **Manufacturer:** Wilkins                                    **Model:** 450DA  
**Size:** 4    **Orientation:** VUVD    **Meters:**  
(M),A,B,C,D,E,F,G,H,I,J,K,L,N,O,P,Q,T  
**Manual:** 9                                        **0.25% Pb:** No    **Spare Parts Only:** No  
**Approved:** 12-Apr-2000                                    **Renewed:** 12-Apr-2021                                    **Bypass:** Wilkins 950XLD 3/4" (H)  
**Shutoffs:** (qqq),ttt,www,yyy,zzz,eeee,uuuu,vvvv,xxxx,yyyy,kkkkk,l,llll,iiiiii,jjjjjj,llllll,mmmmmm

---

**Type:** DCDA                                    **Manufacturer:** Wilkins                                    **Model:** 450DA  
**Size:** 4    **Orientation:** VUVD    **Meters:** (O), M  
**Manual:** 9                                        **0.25% Pb:** Yes    **Spare Parts Only:** No  
**Approved:** 18-Feb-2014                                    **Renewed:** 18-Feb-2020                                    **Bypass:** Wilkins 950XLD 3/4" (H)  
**Shutoffs:** (hh),qqq,vvv,www,yyyy,zzzz,mmmmmm,nnnnnn  
**Notes:** Lead free compliant version: Starting Serial # P07372; By-pass Assembly Starting Serial # 3863325 and identified with NSF61 mark on meter

---

**Type:** DCDA                                    **Manufacturer:** Wilkins                                    **Model:** 450DA  
**Size:** 6    **Orientation:** VUVD    **Meters:**  
(M),C,D,E,F,G,H,I,J,K,L,N,O,P,Q,T  
**Manual:** 9                                        **0.25% Pb:** No    **Spare Parts Only:** No  
**Approved:** 24-May-2000                                    **Renewed:** 24-May-2021                                    **Bypass:** Wilkins 950XLD 3/4" (H)  
**Shutoffs:** (qqq),ttt,www,yyy,zzz,eeee,uuuu,vvvv,xxxx,yyyy,kkkkk,l,llll,iiiiii,jjjjjj,llllll,mmmmmm

**Type:** DCDA                                    **Manufacturer:** Wilkins                                    **Model:** 450DA  
**Size:** 6    **Orientation:** VUVD    **Meters:** (O), M  
**Manual:** 9    **0.25% Pb:** Yes    **Spare Parts Only:** No  
**Approved:** 18-Feb-2014    **Renewed:** 18-Feb-2020    **Bypass:** Wilkins 950XLD 3/4" (H)  
**Shutoffs:** (hh),qqq,vvv,www,yyyy,zzzz,mmmmmm,nnnnnn  
**Notes:** Lead free compliant version: Starting Serial # P07372; By-pass Assembly Starting Serial # 3863325 and identified with NSF61 mark on meter

---

**Type:** DCDA                                    **Manufacturer:** Wilkins                                    **Model:** 450DA  
**Size:** 8    **Orientation:** VUVD    **Meters:** (N),F,G,H,I,J,K,L,M,O,P,Q,T  
**Manual:** 9    **0.25% Pb:** No    **Spare Parts Only:** No  
**Approved:** 03-Aug-2004    **Renewed:** 03-Aug-2022    **Bypass:** Wilkins 950XLD 3/4" (H)  
**Shutoffs:** (qqq),ttt,www,yyy,zzz,eeee,uuuu,vvvv,xxxx,yyyy,kkkkk,lllll,iiiiii,jjjjj,lllll,mmmmmm

---

**Type:** DCDA                                    **Manufacturer:** Wilkins                                    **Model:** 450DA  
**Size:** 8    **Orientation:** VUVD    **Meters:** (O), M  
**Manual:** 9    **0.25% Pb:** Yes    **Spare Parts Only:** No  
**Approved:** 18-Feb-2014    **Renewed:** 18-Feb-2020    **Bypass:** Wilkins 950XLD 3/4" (H)  
**Shutoffs:** (hh),qqq,vvv,www,yyyy,zzzz,mmmmmm,nnnnnn  
**Notes:** Lead free compliant version: Starting Serial # P07372; By-pass Assembly Starting Serial # 3863325 and identified with NSF61 mark on meter

---

**Type:** DCDA                                    **Manufacturer:** Wilkins                                    **Model:** 450DA  
**Size:** 10    **Orientation:** VUVD    **Meters:** (N),F,G,H,I,J,K,L,M,O,P,Q,T  
**Manual:** 9    **0.25% Pb:** No    **Spare Parts Only:** No  
**Approved:** 03-Aug-2004    **Renewed:** 03-Aug-2022    **Bypass:** Wilkins 950XLD 3/4" (H)  
**Shutoffs:** (qqq),ttt,www,yyy,zzz,eeee,uuuu,vvvv,xxxx,yyyy,kkkkk,lllll

---

**Type:** DCDA                                    **Manufacturer:** Wilkins                                    **Model:** 450DA  
**Size:** 10    **Orientation:** VUVD    **Meters:** (O), M  
**Manual:** 9    **0.25% Pb:** Yes    **Spare Parts Only:** No  
**Approved:** 18-Feb-2014    **Renewed:** 18-Feb-2020    **Bypass:** Wilkins 950XLD 3/4" (H)  
**Shutoffs:** (hh),qqq,vvv,www,yyyy,zzzz,mmmmmm,nnnnnn  
**Notes:** Lead free compliant version: Starting Serial # P07372; By-pass Assembly Starting Serial # 3863325 and identified with NSF61 mark on meter

---

**Type:** DCDA                                    **Manufacturer:** Wilkins                                    **Model:** 450STDA  
**Size:** 4    **Orientation:** VUVD    **Meters:** (O),G,H,I,J,K,L,M,N,Q,T  
**Manual:** 10    **0.25% Pb:** Yes    **Spare Parts Only:** No  
**Approved:** 18-Dec-2018    **Renewed:** 18-Dec-2021    **Bypass:** Wilkins 950XLDTCU 3/4" (H)  
**Shutoffs:** (kkkkk),yyy,ssss,uuuu,vvvv,xxxx,yyyy,aaaaa,lllll,gggggg,iiiiii,jjjjj,lllll,mmmmmm,ooooo

**Type:** DCDA                               **Manufacturer:** Wilkins                               **Model:** 450STDA  
**Size:** 6                                       **Orientation:** VUVD                                       **Meters:** (O),G,H,I,J,K,L,M,N,Q,T  
**Manual:** 10                                   **0.25% Pb:** Yes                                       **Spare Parts Only:** No  
**Approved:** 18-Dec-2018                               **Renewed:** 18-Dec-2021                               **Bypass:** Wilkins 950XLDTCU 3/4" (H)  
**Shutoffs:** (kkkkk),yyy,ssss,uuuu,vvvv,xxxx,yyyy,aaaaa,lllll,ggggggg,iiiiii,jjjjjj,lllll,mmmmmm,ooooo

---

**Type:** DCDA                               **Manufacturer:** Wilkins                               **Model:** 450STDA  
**Size:** 8                                       **Orientation:** VUVD                                       **Meters:** (O),G,H,I,J,K,L,M,N,Q,T  
**Manual:** 10                                   **0.25% Pb:** Yes                                       **Spare Parts Only:** No  
**Approved:** 18-Dec-2018                               **Renewed:** 18-Dec-2021                               **Bypass:** Wilkins 950XLDTCU 3/4" (H)  
**Shutoffs:** (kkkkk),yyy,ssss,uuuu,vvvv,xxxx,yyyy,aaaaa,lllll,ggggggg,iiiiii,jjjjjj,lllll,mmmmmm,ooooo

---

**Type:** DCDA                               **Manufacturer:** Wilkins                               **Model:** 450STDA  
**Size:** 10                                       **Orientation:** VUVD                                       **Meters:** (O),G,H,I,J,K,L,M,N,Q,T  
**Manual:** 10                                   **0.25% Pb:** Yes                                       **Spare Parts Only:** No  
**Approved:** 18-Dec-2018                               **Renewed:** 18-Dec-2021                               **Bypass:** Wilkins 950XLDTCU 3/4" (H)  
**Shutoffs:** (kkkkk),yyy,ssss,uuuu,vvvv,xxxx,yyyy,aaaaa,lllll,ggggggg,iiiiii,jjjjjj,lllll,mmmmmm,ooooo

---

**Type:** DCDA                               **Manufacturer:** Wilkins                               **Model:** 450STDAR  
**Size:** 4                                       **Orientation:** VUVD                                       **Meters:** (O),G,H,I,J,K,L,M,N,Q,T  
**Manual:** 10                                   **0.25% Pb:** Yes                                       **Spare Parts Only:** No  
**Approved:** 18-Dec-2018                               **Renewed:** 18-Dec-2021                               **Bypass:** Wilkins 950XLD 3/4" (H)  
**Shutoffs:** (kkkkk),yyy,ssss,uuuu,vvvv,xxxx,yyyy,aaaaa,lllll,ggggggg,iiiiii,jjjjjj,lllll,mmmmmm,ooooo

---

**Type:** DCDA                               **Manufacturer:** Wilkins                               **Model:** 450STDAR  
**Size:** 6                                       **Orientation:** VUVD                                       **Meters:** (O),G,H,I,J,K,L,M,N,Q,T  
**Manual:** 10                                   **0.25% Pb:** Yes                                       **Spare Parts Only:** No  
**Approved:** 18-Dec-2018                               **Renewed:** 18-Dec-2021                               **Bypass:** Wilkins 950XLD 3/4" (H)  
**Shutoffs:** (kkkkk),yyy,ssss,uuuu,vvvv,xxxx,yyyy,aaaaa,lllll,ggggggg,iiiiii,jjjjjj,lllll,mmmmmm,ooooo

---

**Type:** DCDA                               **Manufacturer:** Wilkins                               **Model:** 450STDAR  
**Size:** 8                                       **Orientation:** VUVD                                       **Meters:** (O),G,H,I,J,K,L,M,N,Q,T  
**Manual:** 10                                   **0.25% Pb:** Yes                                       **Spare Parts Only:** No  
**Approved:** 18-Dec-2018                               **Renewed:** 18-Dec-2021                               **Bypass:** Wilkins 950XLD 3/4" (H)  
**Shutoffs:** (kkkkk),yyy,ssss,uuuu,vvvv,xxxx,yyyy,aaaaa,lllll,ggggggg,iiiiii,jjjjjj,lllll,mmmmmm,ooooo

---

**Type:** DCDA                               **Manufacturer:** Wilkins                               **Model:** 450STDAR  
**Size:** 10                                       **Orientation:** VUVD                                       **Meters:** (O),G,H,I,J,K,L,M,N,Q,T  
**Manual:** 10                                   **0.25% Pb:** Yes                                       **Spare Parts Only:** No  
**Approved:** 18-Dec-2018                               **Renewed:** 18-Dec-2021                               **Bypass:** Wilkins 950XLD 3/4" (H)  
**Shutoffs:** (kkkkk),yyy,ssss,uuuu,vvvv,xxxx,yyyy,aaaaa,lllll,ggggggg,iiiiii,jjjjjj,lllll,mmmmmm,ooooo

**Type:** DCDA

**Manufacturer:** Wilkins

**Model:** 950DA

**Size:** 2 1/2

**Orientation:** H

**Meters:**

(M),A,B,C,D,E,F,G,H,I,J,K,L,N,O,P,Q,T

**Manual:** 8

**0.25% Pb:** No

**Spare Parts Only:** Yes

**Approved:** 02-Jan-1994

**Renewed:** 02-Jan-2020

**Bypass:** Wilkins 950XL 3/4" (H), Wilkins 950 3/4" (H)

**Shutoffs:** (hh),ff,mm,uu,zz,zzzz,yyyy,zzzz

---

**Type:** DCDA

**Manufacturer:** Wilkins

**Model:** 950DA

**Size:** 2 1/2

**Orientation:** VU

**Meters:**

(M),D,E,F,G,H,I,J,K,L,N,O,P,Q,T

**Manual:** 8

**0.25% Pb:** No

**Spare Parts Only:** Yes

**Approved:** 12-Dec-1996

**Renewed:** 12-Dec-2020

**Bypass:** Wilkins 950XL 3/4" (VU)

**Shutoffs:** (hh),ff,mm,uu,zz,zzzz,yyyy,zzzz

---

**Type:** DCDA

**Manufacturer:** Wilkins

**Model:** 950DA

**Size:** 3

**Orientation:** H

**Meters:**

(M),A,B,C,D,E,F,G,H,I,J,K,L,N,O,P,Q,T

**Manual:** 8

**0.25% Pb:** No

**Spare Parts Only:** Yes

**Approved:** 02-Jan-1994

**Renewed:** 02-Jan-2020

**Bypass:** Wilkins 950XL 3/4" (H), Wilkins 950 3/4" (H)

**Shutoffs:** (hh),ff,mm,uu,zz,zzzz,yyyy,zzzz

---

**Type:** DCDA

**Manufacturer:** Wilkins

**Model:** 950DA

**Size:** 3

**Orientation:** VU

**Meters:**

(M),D,E,F,G,H,I,J,K,L,N,O,P,Q,T

**Manual:** 8

**0.25% Pb:** No

**Spare Parts Only:** Yes

**Approved:** 12-Dec-1996

**Renewed:** 12-Dec-2020

**Bypass:** Wilkins 950XL 3/4" (VU)

**Shutoffs:** (hh),ff,mm,uu,zz,zzzz,yyyy,zzzz

---

**Type:** DCDA

**Manufacturer:** Wilkins

**Model:** 950DA

**Size:** 4

**Orientation:** H

**Meters:** (M),E,F,G,H,I,J,K,L,N,O,P,Q,T

**Manual:** 8

**0.25% Pb:** No

**Spare Parts Only:** Yes

**Approved:** 09-Jun-1993

**Renewed:** 09-Jun-2020

**Bypass:** Wilkins 950XL 3/4" (H), Wilkins 950 3/4" (H)

**Shutoffs:** hh,ff,mm,uu,zz,zzzz,yyyy,zzzz

---

**Type:** DCDA                                    **Manufacturer:** Wilkins                                    **Model:** 950DA  
**Size:** 4    **Orientation:** VU    **Meters:**  
(M),A,B,C,D,E,F,G,H,I,J,K,L,N,O,P,Q,T  
**Manual:** 8                                        **0.25% Pb:** No    **Spare Parts Only:** Yes  
**Approved:** 12-Dec-1996                    **Renewed:** 12-Dec-2020                                    **Bypass:** Wilkins 950XL 3/4" (VU)  
**Shutoffs:** hh,ff,mm,uu,zz,vvvv,wwww,yyyy,zzzz

---

**Type:** DCDA                                    **Manufacturer:** Wilkins                                    **Model:** 950DA  
**Size:** 6    **Orientation:** H    **Meters:**  
(M),A,B,C,D,E,F,G,H,I,J,K,L,N,O,P,Q,T  
**Manual:** 8                                        **0.25% Pb:** No    **Spare Parts Only:** Yes  
**Approved:** 09-Jun-1993                    **Renewed:** 09-Jun-2020                                    **Bypass:** Wilkins 950XL 3/4" (H), Wilkins  
950 3/4" (H)  
**Shutoffs:** hh,ff,mm,uu,zz,vvvv,wwww,yyyy,zzzz

---

**Type:** DCDA                                    **Manufacturer:** Wilkins                                    **Model:** 950DA  
**Size:** 6    **Orientation:** VU    **Meters:**  
(M),D,E,F,G,H,I,J,K,L,N,O,P,Q,T  
**Manual:** 8                                        **0.25% Pb:** No    **Spare Parts Only:** Yes  
**Approved:** 12-Dec-1996                    **Renewed:** 12-Dec-2020                                    **Bypass:** Wilkins 950XL 3/4" (VU)  
**Shutoffs:** hh,ff,mm,uu,zz,vvvv,wwww,yyyy,zzzz

---

**Type:** DCDA                                    **Manufacturer:** Wilkins                                    **Model:** 950DA  
**Size:** 8    **Orientation:** H    **Meters:** (M),E,F,G,H,I,J,K,L,N,O,P,Q,T  
**Manual:** 8                                        **0.25% Pb:** No    **Spare Parts Only:** Yes  
**Approved:** 09-Jun-1993                    **Renewed:** 09-Jun-2020                                    **Bypass:** Wilkins 950XL 3/4" (H), Wilkins  
950 3/4" (H)  
**Shutoffs:** (hh),ff,mm,uu,zz,vvvv,wwww,yyyy,zzzz

---

**Type:** DCDA                                    **Manufacturer:** Wilkins                                    **Model:** 950DA  
**Size:** 8    **Orientation:** VU    **Meters:**  
(M),A,B,C,D,E,F,G,H,I,J,K,L,N,O,P,Q,T  
**Manual:** 8                                        **0.25% Pb:** No    **Spare Parts Only:** Yes  
**Approved:** 12-Dec-1996                    **Renewed:** 12-Dec-2020                                    **Bypass:** Wilkins 950XL 3/4" (VU)  
**Shutoffs:** (hh),ff,mm,uu,zz,vvvv,wwww,yyyy,zzzz

**Type:** DCDA                                      **Manufacturer:** Wilkins                                      **Model:** 950DA  
**Size:** 10    **Orientation:** H    **Meters:**  
(M),A,B,C,D,E,F,G,H,I,J,K,L,N,O,P,Q,T  
**Manual:** 8    **0.25% Pb:** No    **Spare Parts Only:** Yes  
**Approved:** 23-Jun-1994                                      **Renewed:** 23-Jun-2021                                      **Bypass:** Wilkins 950XL 3/4" (H), Wilkins  
950 3/4" (H)  
**Shutoffs:** (hh),ff,mm,uu,zz,vvvv,www,yyyy.zzzz

---

**Type:** DCDA                                      **Manufacturer:** Wilkins                                      **Model:** 950XLTDA  
**Size:** 2    **Orientation:** H    **Meters:** (N),F,G,H,I,J,K,L,M,O,P,Q,T  
**Manual:** 9    **0.25% Pb:** No    **Spare Parts Only:** No  
**Approved:** 19-May-2009                                      **Renewed:** 19-May-2021                                      **Bypass:** Wilkins 350D 3/4" (H)  
**Shutoffs:** (bbb)

---

**Type:** DCDA                                      **Manufacturer:** Wilkins                                      **Model:** 950XLTDA  
**Size:** 2    **Orientation:** VU    **Meters:** (N),F,G,H,I,J,K,L,M,O,P,Q,T  
**Manual:** 9    **0.25% Pb:** No    **Spare Parts Only:** No  
**Approved:** 22-Jun-2009                                      **Renewed:** 22-Jun-2021                                      **Bypass:** Wilkins 350D 3/4" (VU)  
**Shutoffs:** (bbb)

---

**Type:** DCDA                                      **Manufacturer:** Wilkins                                      **Model:** 950XLTDABF  
**Size:** 2    **Orientation:** H    **Meters:** (N),F,G,H,I,J,K,L,M,O,P,Q,T  
**Manual:** 9    **0.25% Pb:** No    **Spare Parts Only:** No  
**Approved:** 19-May-2009                                      **Renewed:** 19-May-2021                                      **Bypass:** Wilkins 350D 3/4" (H)  
**Shutoffs:** (bbbb), ccccc,pppppp

---

**Type:** DCDA                                      **Manufacturer:** Wilkins                                      **Model:** 950XLTDABF  
**Size:** 2    **Orientation:** VU    **Meters:** (N),F,G,H,I,J,K,L,M,O,P,Q,T  
**Manual:** 9    **0.25% Pb:** No    **Spare Parts Only:** No  
**Approved:** 22-Jun-2009                                      **Renewed:** 22-Jun-2021                                      **Bypass:** Wilkins 350D 3/4" (VU)  
**Shutoffs:** (bbbb), ccccc,pppppp

---

**Type:** DCDA                                      **Manufacturer:** Wilkins                                      **Model:** DCDA  
**Size:** 2 1/2    **Orientation:** H    **Meters:**  
(M),B,C,D,E,F,G,H,I,J,K,L,N,O,P,Q,T  
**Manual:** 7    **0.25% Pb:** No    **Spare Parts Only:** Yes  
**Approved:** 05-Mar-1987                                      **Renewed:** 05-Mar-2020                                      **Bypass:** Wilkins 550A 3/4" (H)  
**Shutoffs:** hh,ff,mm,uu,zz



<b>Type:</b> DCDA	<b>Manufacturer:</b> Wilkins	<b>Model:</b> DCDA
<b>Size:</b> 3	<b>Orientation:</b> H	<b>Meters:</b> (M),B,C,D,E,F,G,H,I,J,K,L,N,O,P,Q,T
<b>Manual:</b> 7	<b>0.25% Pb:</b> No	<b>Spare Parts Only:</b> Yes
<b>Approved:</b> 05-Mar-1987	<b>Renewed:</b> 05-Mar-2020	<b>Bypass:</b> Wilkins 550A 3/4" (H)
<b>Shutoffs:</b> hh,ff,mm,uu,zz		

---

<b>Type:</b> DCDA	<b>Manufacturer:</b> Wilkins	<b>Model:</b> DCDA
<b>Size:</b> 4	<b>Orientation:</b> H	<b>Meters:</b> (M),A,B,C,D,E,F,G,H,I,J,K,L,N,O,P,Q,T
<b>Manual:</b> 7	<b>0.25% Pb:</b> No	<b>Spare Parts Only:</b> Yes
<b>Approved:</b> 18-May-1988	<b>Renewed:</b> 18-May-2021	<b>Bypass:</b> Wilkins 550A 3/4" (H)
<b>Shutoffs:</b> hh,ff,mm,uu,zz		

---

<b>Type:</b> DCDA	<b>Manufacturer:</b> Wilkins	<b>Model:</b> DCDA
<b>Size:</b> 6	<b>Orientation:</b> H	<b>Meters:</b> (M),A,B,C,D,E,F,G,H,I,J,K,L,N,O,P,Q,T
<b>Manual:</b> 7	<b>0.25% Pb:</b> No	<b>Spare Parts Only:</b> Yes
<b>Approved:</b> 02-Jun-1988	<b>Renewed:</b> 01-Jun-2021	<b>Bypass:</b> Wilkins 550A 3/4" (H)
<b>Shutoffs:</b> hh,ff,mm,uu,zz		

---

<b>Type:</b> DCDA-II	<b>Manufacturer:</b> Ames	<b>Model:</b> Deringer 30
<b>Size:</b> 2 1/2	<b>Orientation:</b> H	<b>Meters:</b> (O),G,H,I,J,K,L,M,N,Q,T
<b>Manual:</b> 10	<b>0.25% Pb:</b> Yes	<b>Spare Parts Only:</b> No
<b>Approved:</b> 26-Mar-2020	<b>Renewed:</b>	<b>Bypass:</b> Backflow Direct 1/2" CV(HVD)
<b>Shutoffs:</b> (int)		

---

<b>Type:</b> DCDA-II	<b>Manufacturer:</b> Ames	<b>Model:</b> Deringer 30
<b>Size:</b> 2 1/2	<b>Orientation:</b> VU	<b>Meters:</b> (O),G,H,I,J,K,L,M,N,Q,T
<b>Manual:</b> 10	<b>0.25% Pb:</b> Yes	<b>Spare Parts Only:</b> No
<b>Approved:</b> 26-Mar-2020	<b>Renewed:</b>	<b>Bypass:</b> Backflow Direct 1/2" CV(VUH)
<b>Shutoffs:</b> (int)		

---

<b>Type:</b> DCDA-II	<b>Manufacturer:</b> Ames	<b>Model:</b> Deringer 30
<b>Size:</b> 3	<b>Orientation:</b> H	<b>Meters:</b> (O),G,H,I,J,K,L,M,N,Q,T
<b>Manual:</b> 10	<b>0.25% Pb:</b> Yes	<b>Spare Parts Only:</b> No
<b>Approved:</b> 26-Mar-2020	<b>Renewed:</b>	<b>Bypass:</b> Backflow Direct 1/2" CV(HVD)
<b>Shutoffs:</b> (int)		

**Type:** DCDA-II                      **Manufacturer:** Ames                      **Model:** Deringer 30  
**Size:** 3                                      **Orientation:** VU                      **Meters:** (O),G,H,I,J,K,L,M,N,Q,T  
**Manual:** 10                                      **0.25% Pb:** Yes                      **Spare Parts Only:** No  
**Approved:** 26-Mar-2020                      **Renewed:**                      **Bypass:** Backflow Direct 1/2" CV(VUH)  
**Shutoffs:** (int)

---

**Type:** DCDA-II                      **Manufacturer:** Ames                      **Model:** Deringer 30  
**Size:** 4                                      **Orientation:** H                      **Meters:** (O),G,H,I,J,K,L,M,N,Q,T  
**Manual:** 10                                      **0.25% Pb:** Yes                      **Spare Parts Only:** No  
**Approved:** 26-Mar-2020                      **Renewed:**                      **Bypass:** Backflow Direct 1/2" CV(HVD)  
**Shutoffs:** (int)

---

**Type:** DCDA-II                      **Manufacturer:** Ames                      **Model:** Deringer 30  
**Size:** 4                                      **Orientation:** VU                      **Meters:** (O),G,H,I,J,K,L,M,N,Q,T  
**Manual:** 10                                      **0.25% Pb:** Yes                      **Spare Parts Only:** No  
**Approved:** 26-Mar-2020                      **Renewed:**                      **Bypass:** Backflow Direct 1/2" CV(VUH)  
**Shutoffs:** (int)

---

**Type:** DCDA-II                      **Manufacturer:** Ames                      **Model:** Deringer 30  
**Size:** 6                                      **Orientation:** H                      **Meters:** (O),G,H,I,J,K,L,M,N,Q,T  
**Manual:** 10                                      **0.25% Pb:** Yes                      **Spare Parts Only:** No  
**Approved:** 26-Mar-2020                      **Renewed:**                      **Bypass:** Backflow Direct 1/2" CV(HVD)  
**Shutoffs:** (int)

---

**Type:** DCDA-II                      **Manufacturer:** Ames                      **Model:** Deringer 30  
**Size:** 6                                      **Orientation:** VU                      **Meters:** (O),G,H,I,J,K,L,M,N,Q,T  
**Manual:** 10                                      **0.25% Pb:** Yes                      **Spare Parts Only:** No  
**Approved:** 26-Mar-2020                      **Renewed:**                      **Bypass:** Backflow Direct 1/2" CV(VUH)  
**Shutoffs:** (int)

---

**Type:** DCDA-II                      **Manufacturer:** Ames                      **Model:** Deringer 30  
**Size:** 8                                      **Orientation:** H                      **Meters:** (O),G,H,I,J,K,L,M,N,Q,T  
**Manual:** 10                                      **0.25% Pb:** Yes                      **Spare Parts Only:** No  
**Approved:** 26-Mar-2020                      **Renewed:**                      **Bypass:** Backflow Direct 1/2" CV(HVD)  
**Shutoffs:** (int)

---

**Type:** DCDA-II                      **Manufacturer:** Ames                      **Model:** Deringer 30  
**Size:** 8                                      **Orientation:** VU                      **Meters:** (O),G,H,I,J,K,L,M,N,Q,T  
**Manual:** 10                                      **0.25% Pb:** Yes                      **Spare Parts Only:** No  
**Approved:** 26-Mar-2020                      **Renewed:**                      **Bypass:** Backflow Direct 1/2" CV(VUH)  
**Shutoffs:** (int)

**Type:** DCDA-II                      **Manufacturer:** Ames                      **Model:** Deringer 30G  
**Size:** 2 1/2                              **Orientation:** H                              **Meters:** (O),G,H,I,J,K,L,M,N,Q,T  
**Manual:** 10                                  **0.25% Pb:** Yes                              **Spare Parts Only:** No  
**Approved:** 26-Mar-2020                      **Renewed:**                                      **Bypass:** Backflow Direct 1/2" CV(HVD)  
**Shutoffs:** (ssssss), tttttt

---

**Type:** DCDA-II                      **Manufacturer:** Ames                      **Model:** Deringer 30G  
**Size:** 2 1/2                              **Orientation:** VU                              **Meters:** (O),G,H,I,J,K,L,M,N,Q,T  
**Manual:** 10                                  **0.25% Pb:** Yes                              **Spare Parts Only:** No  
**Approved:** 26-Mar-2020                      **Renewed:**                                      **Bypass:** Backflow Direct 1/2" CV(VUH)  
**Shutoffs:** (ssssss), tttttt

---

**Type:** DCDA-II                      **Manufacturer:** Ames                      **Model:** Deringer 30G  
**Size:** 3                                      **Orientation:** H                              **Meters:** (O),G,H,I,J,K,L,M,N,Q,T  
**Manual:** 10                                  **0.25% Pb:** Yes                              **Spare Parts Only:** No  
**Approved:** 26-Mar-2020                      **Renewed:**                                      **Bypass:** Backflow Direct 1/2" CV(HVD)  
**Shutoffs:** (ssssss), tttttt

---

**Type:** DCDA-II                      **Manufacturer:** Ames                      **Model:** Deringer 30G  
**Size:** 3                                      **Orientation:** VU                              **Meters:** (O),G,H,I,J,K,L,M,N,Q,T  
**Manual:** 10                                  **0.25% Pb:** Yes                              **Spare Parts Only:** No  
**Approved:** 26-Mar-2020                      **Renewed:**                                      **Bypass:** Backflow Direct 1/2" CV(VUH)  
**Shutoffs:** (ssssss), tttttt

---

**Type:** DCDA-II                      **Manufacturer:** Ames                      **Model:** Deringer 30G  
**Size:** 4                                      **Orientation:** H                              **Meters:** (O),G,H,I,J,K,L,M,N,Q,T  
**Manual:** 10                                  **0.25% Pb:** Yes                              **Spare Parts Only:** No  
**Approved:** 26-Mar-2020                      **Renewed:**                                      **Bypass:** Backflow Direct 1/2" CV(HVD)  
**Shutoffs:** (ssssss), tttttt

---

**Type:** DCDA-II                      **Manufacturer:** Ames                      **Model:** Deringer 30G  
**Size:** 4                                      **Orientation:** VU                              **Meters:** (O),G,H,I,J,K,L,M,N,Q,T  
**Manual:** 10                                  **0.25% Pb:** Yes                              **Spare Parts Only:** No  
**Approved:** 26-Mar-2020                      **Renewed:**                                      **Bypass:** Backflow Direct 1/2" CV(VUH)  
**Shutoffs:** (ssssss), tttttt

---

**Type:** DCDA-II                      **Manufacturer:** Ames                      **Model:** Deringer 30G  
**Size:** 6                                      **Orientation:** H                              **Meters:** (O),G,H,I,J,K,L,M,N,Q,T  
**Manual:** 10                                  **0.25% Pb:** Yes                              **Spare Parts Only:** No  
**Approved:** 26-Mar-2020                      **Renewed:**                                      **Bypass:** Backflow Direct 1/2" CV(HVD)  
**Shutoffs:** (ssssss), tttttt

**Type:** DCDA-II                      **Manufacturer:** Ames                      **Model:** Deringer 30G  
**Size:** 6                                      **Orientation:** VU                      **Meters:** (O),G,H,I,J,K,L,M,N,Q,T  
**Manual:** 10                                      **0.25% Pb:** Yes                      **Spare Parts Only:** No  
**Approved:** 26-Mar-2020                      **Renewed:**                      **Bypass:** Backflow Direct 1/2" CV(VUH)  
**Shutoffs:** (ssssss), tttttt

---

**Type:** DCDA-II                      **Manufacturer:** Ames                      **Model:** Deringer 30G  
**Size:** 8                                      **Orientation:** H                      **Meters:** (O),G,H,I,J,K,L,M,N,Q,T  
**Manual:** 10                                      **0.25% Pb:** Yes                      **Spare Parts Only:** No  
**Approved:** 26-Mar-2020                      **Renewed:**                      **Bypass:** Backflow Direct 1/2" CV(HVD)  
**Shutoffs:** (ssssss), tttttt

---

**Type:** DCDA-II                      **Manufacturer:** Ames                      **Model:** Deringer 30G  
**Size:** 8                                      **Orientation:** VU                      **Meters:** (O),G,H,I,J,K,L,M,N,Q,T  
**Manual:** 10                                      **0.25% Pb:** Yes                      **Spare Parts Only:** No  
**Approved:** 26-Mar-2020                      **Renewed:**                      **Bypass:** Backflow Direct 1/2" CV(VUH)  
**Shutoffs:** (ssssss), tttttt

---

**Type:** DCDA-II                      **Manufacturer:** Ames                      **Model:** Deringer 30GX  
**Size:** 4                                      **Orientation:** H                      **Meters:** (O),G,H,I,J,K,L,M,N,Q,T  
**Manual:** 10                                      **0.25% Pb:** Yes                      **Spare Parts Only:** No  
**Approved:** 26-Mar-2020                      **Renewed:**                      **Bypass:** Backflow Direct 1/2" CV(HVD)  
**Shutoffs:** (ssssss), tttttt

---

**Type:** DCDA-II                      **Manufacturer:** Ames                      **Model:** Deringer 30GX  
**Size:** 4                                      **Orientation:** VU                      **Meters:** (O),G,H,I,J,K,L,M,N,Q,T  
**Manual:** 10                                      **0.25% Pb:** Yes                      **Spare Parts Only:** No  
**Approved:** 26-Mar-2020                      **Renewed:**                      **Bypass:** Backflow Direct 1/2" CV(VUH)  
**Shutoffs:** (ssssss), tttttt

---

**Type:** DCDA-II                      **Manufacturer:** Ames                      **Model:** Deringer 30GX  
**Size:** 6                                      **Orientation:** H                      **Meters:** (O),G,H,I,J,K,L,M,N,Q,T  
**Manual:** 10                                      **0.25% Pb:** Yes                      **Spare Parts Only:** No  
**Approved:** 26-Mar-2020                      **Renewed:**                      **Bypass:** Backflow Direct 1/2" CV(HVD)  
**Shutoffs:** (ssssss), tttttt

---

**Type:** DCDA-II                      **Manufacturer:** Ames                      **Model:** Deringer 30GX  
**Size:** 6                                      **Orientation:** VU                      **Meters:** (O),G,H,I,J,K,L,M,N,Q,T  
**Manual:** 10                                      **0.25% Pb:** Yes                      **Spare Parts Only:** No  
**Approved:** 26-Mar-2020                      **Renewed:**                      **Bypass:** Backflow Direct 1/2" CV(VUH)  
**Shutoffs:** (ssssss), tttttt

**Type:** DCDA-II                      **Manufacturer:** Ames                      **Model:** Deringer 30X  
**Size:** 4                                      **Orientation:** H                                      **Meters:** (O),G,H,I,J,K,L,M,N,Q,T  
**Manual:** 10                                      **0.25% Pb:** Yes                                      **Spare Parts Only:** No  
**Approved:** 26-Mar-2020                      **Renewed:**                                      **Bypass:** Backflow Direct 1/2" CV(HVD)  
**Shutoffs:** (int)

---

**Type:** DCDA-II                      **Manufacturer:** Ames                      **Model:** Deringer 30X  
**Size:** 4                                      **Orientation:** VU                                      **Meters:** (O),G,H,I,J,K,L,M,N,Q,T  
**Manual:** 10                                      **0.25% Pb:** Yes                                      **Spare Parts Only:** No  
**Approved:** 26-Mar-2020                      **Renewed:**                                      **Bypass:** Backflow Direct 1/2" CV(VUH)  
**Shutoffs:** (int)

---

**Type:** DCDA-II                      **Manufacturer:** Ames                      **Model:** Deringer 30X  
**Size:** 6                                      **Orientation:** H                                      **Meters:** (O),G,H,I,J,K,L,M,N,Q,T  
**Manual:** 10                                      **0.25% Pb:** Yes                                      **Spare Parts Only:** No  
**Approved:** 26-Mar-2020                      **Renewed:**                                      **Bypass:** Backflow Direct 1/2" CV(HVD)  
**Shutoffs:** (int)

---

**Type:** DCDA-II                      **Manufacturer:** Ames                      **Model:** Deringer 30X  
**Size:** 6                                      **Orientation:** VU                                      **Meters:** (O),G,H,I,J,K,L,M,N,Q,T  
**Manual:** 10                                      **0.25% Pb:** Yes                                      **Spare Parts Only:** No  
**Approved:** 26-Mar-2020                      **Renewed:**                                      **Bypass:** Backflow Direct 1/2" CV(VUH)  
**Shutoffs:** (int)

---

**Type:** DCDA-II                      **Manufacturer:** Apollo/Conbraco                      **Model:** DCDA24A  
**Size:** 1 1/2                                      **Orientation:** H                                      **Meters:** (M),G,H,I,J,K,L,N,O,P,Q,T  
**Manual:** 10                                      **0.25% Pb:** No                                      **Spare Parts Only:** No  
**Approved:** 31-Oct-2016                      **Renewed:** 31-Oct-2019                      **Bypass:** Apollo 1/2" Model CVA4A  
(HVD)  
**Shutoffs:** (dddddd)

---

**Type:** DCDA-II                      **Manufacturer:** Apollo/Conbraco                      **Model:** DCDA24A  
**Size:** 1 1/2                                      **Orientation:** VU                                      **Meters:** (M),G,H,I,J,K,L,N,O,P,Q,T  
**Manual:** 10                                      **0.25% Pb:** No                                      **Spare Parts Only:** No  
**Approved:** 31-Oct-2016                      **Renewed:** 31-Oct-2019                      **Bypass:** Apollo 1/2" Model CVA4A  
(VUH)  
**Shutoffs:** (dddddd)

**Type:** DCDA-II                      **Manufacturer:** Apollo/Conbraco                      **Model:** DCDA24A  
**Size:** 2                                      **Orientation:** H                                      **Meters:** (M),G,H,I,J,K,L,N,O,P,Q,T  
**Manual:** 10                                      **0.25% Pb:** No                                      **Spare Parts Only:** No  
**Approved:** 31-Oct-2016                      **Renewed:** 31-Oct-2019                      **Bypass:** Apollo 1/2" Model CVA4A  
(HVD)  
**Shutoffs:** (dddddd)

---

**Type:** DCDA-II                      **Manufacturer:** Apollo/Conbraco                      **Model:** DCDA24A  
**Size:** 2                                      **Orientation:** VU                                      **Meters:** (M),G,H,I,J,K,L,N,O,P,Q,T  
**Manual:** 10                                      **0.25% Pb:** No                                      **Spare Parts Only:** No  
**Approved:** 31-Oct-2016                      **Renewed:** 31-Oct-2019                      **Bypass:** Apollo 1/2" Model CVA4A  
(VUH)  
**Shutoffs:** (dddddd)

---

**Type:** DCDA-II                      **Manufacturer:** Apollo/Conbraco                      **Model:** DCDA2LF4A  
**Size:** 1 1/2                                      **Orientation:** H                                      **Meters:** (M),G,H,I,J,K,L,N,O,P,Q,T  
**Manual:** 10                                      **0.25% Pb:** No                                      **Spare Parts Only:** No  
**Approved:** 31-Oct-2016                      **Renewed:** 31-Oct-2019                      **Bypass:** Apollo 1/2" Model CVALF4A  
(HVD)  
**Shutoffs:** (eeeeee)

---

**Type:** DCDA-II                      **Manufacturer:** Apollo/Conbraco                      **Model:** DCDA2LF4A  
**Size:** 1 1/2                                      **Orientation:** VU                                      **Meters:** (M),G,H,I,J,K,L,N,O,P,Q,T  
**Manual:** 10                                      **0.25% Pb:** No                                      **Spare Parts Only:** No  
**Approved:** 31-Oct-2016                      **Renewed:** 31-Oct-2019                      **Bypass:** Apollo 1/2" Model CVALF4A  
(VUH)  
**Shutoffs:** (eeeeee)

---

**Type:** DCDA-II                      **Manufacturer:** Apollo/Conbraco                      **Model:** DCDA2LF4A  
**Size:** 2                                      **Orientation:** H                                      **Meters:** (M),G,H,I,J,K,L,N,O,P,Q,T  
**Manual:** 10                                      **0.25% Pb:** No                                      **Spare Parts Only:** No  
**Approved:** 31-Oct-2016                      **Renewed:** 31-Oct-2019                      **Bypass:** Apollo 1/2" Model CVALF4A  
(HVD)  
**Shutoffs:** (eeeeee)

---

**Type:** DCDA-II                      **Manufacturer:** Apollo/Conbraco                      **Model:** DCDA2LF4A  
**Size:** 2                                      **Orientation:** VU                                      **Meters:** (M),G,H,I,J,K,L,N,O,P,Q,T  
**Manual:** 10                                      **0.25% Pb:** No                                      **Spare Parts Only:** No  
**Approved:** 31-Oct-2016                      **Renewed:** 31-Oct-2019                      **Bypass:** Apollo 1/2" Model CVALF4A  
(VUH)  
**Shutoffs:** (eeeeee)

**Type:** DCDA-II                      **Manufacturer:** Apollo/Conbraco                      **Model:** DCDA2LF4A  
**Size:** 2 1/2                      **Orientation:** H                      **Meters:** (M),G,H,I,J,K,L,N,O,P,Q,T  
**Manual:** 10                      **0.25% Pb:** Yes                      **Spare Parts Only:** No  
**Approved:** 15-Dec-2017                      **Renewed:** 15-Dec-2020                      **Bypass:** Apollo 1/2" Model CVALF4A (HVD)  
**Shutoffs:** (xxxxx),yyy,yyyyy,zzzzz,aaaaaa,xxxxxx

---

**Type:** DCDA-II                      **Manufacturer:** Apollo/Conbraco                      **Model:** DCDA2LF4A  
**Size:** 2 1/2                      **Orientation:** VU                      **Meters:** (M),G,H,I,J,K,L,N,O,P,Q,T  
**Manual:** 10                      **0.25% Pb:** Yes                      **Spare Parts Only:** No  
**Approved:** 15-Dec-2017                      **Renewed:** 15-Dec-2020                      **Bypass:** Apollo 1/2" Model CVALF4A (VUH)  
**Shutoffs:** (xxxxx),yyy,yyyyy,zzzzz,aaaaaa,xxxxxx

---

**Type:** DCDA-II                      **Manufacturer:** Apollo/Conbraco                      **Model:** DCDA2LF4A  
**Size:** 3                      **Orientation:** H                      **Meters:** (M),G,H,I,J,K,L,N,O,P,Q,T  
**Manual:** 10                      **0.25% Pb:** Yes                      **Spare Parts Only:** No  
**Approved:** 15-Dec-2017                      **Renewed:** 15-Dec-2020                      **Bypass:** Apollo 1/2" Model CVALF4A (HVD)  
**Shutoffs:** (xxxxx),yyy,yyyyy,zzzzz,aaaaaa,xxxxxx

---

**Type:** DCDA-II                      **Manufacturer:** Apollo/Conbraco                      **Model:** DCDA2LF4A  
**Size:** 3                      **Orientation:** VU                      **Meters:** (M),G,H,I,J,K,L,N,O,P,Q,T  
**Manual:** 10                      **0.25% Pb:** Yes                      **Spare Parts Only:** No  
**Approved:** 15-Dec-2017                      **Renewed:** 15-Dec-2020                      **Bypass:** Apollo 1/2" Model CVALF4A (VUH)  
**Shutoffs:** (xxxxx),yyy,yyyyy,zzzzz,aaaaaa,xxxxxx

---

**Type:** DCDA-II                      **Manufacturer:** Apollo/Conbraco                      **Model:** DCDA2LF4A  
**Size:** 4                      **Orientation:** H                      **Meters:** (M),G,H,I,J,K,L,N,O,P,Q,T  
**Manual:** 10                      **0.25% Pb:** Yes                      **Spare Parts Only:** No  
**Approved:** 15-Dec-2017                      **Renewed:** 15-Dec-2020                      **Bypass:** Apollo 1/2" Model CVALF4A (HVD)  
**Shutoffs:** (xxxxx),yyy,yyyyy,zzzzz,aaaaaa,xxxxxx

---

**Type:** DCDA-II                      **Manufacturer:** Apollo/Conbraco                      **Model:** DCDA2LF4A  
**Size:** 4                      **Orientation:** VU                      **Meters:** (M),G,H,I,J,K,L,N,O,P,Q,T  
**Manual:** 10                      **0.25% Pb:** Yes                      **Spare Parts Only:** No  
**Approved:** 15-Dec-2017                      **Renewed:** 15-Dec-2020                      **Bypass:** Apollo 1/2" Model CVALF4A (H)  
**Shutoffs:** (xxxxx),yyy,yyyyy,zzzzz,aaaaaa,xxxxxx

**Type:** DCDA-II                      **Manufacturer:** Apollo/Conbraco                      **Model:** DCDA2LF4A  
**Size:** 6                                      **Orientation:** H                                      **Meters:** (M),G,H,I,J,K,L,N,O,P,Q,T  
**Manual:** 10                                      **0.25% Pb:** Yes                                      **Spare Parts Only:** No  
**Approved:** 15-Dec-2017                      **Renewed:** 15-Dec-2020                      **Bypass:** Apollo 1/2" Model CVALF4A  
(HVD)  
**Shutoffs:** (xxxxx),yyy,yyyyy,zzzzz,aaaaa,xxxxxx

---

**Type:** DCDA-II                      **Manufacturer:** Apollo/Conbraco                      **Model:** DCDA2LF4A  
**Size:** 6                                      **Orientation:** VU                                      **Meters:** (M),G,H,I,J,K,L,N,O,P,Q,T  
**Manual:** 10                                      **0.25% Pb:** Yes                                      **Spare Parts Only:** No  
**Approved:** 15-Dec-2017                      **Renewed:** 15-Dec-2020                      **Bypass:** Apollo 1/2" Model CVALF4A  
(H)  
**Shutoffs:** (xxxxx),yyy,yyyyy,zzzzz,aaaaa,xxxxxx

---

**Type:** DCDA-II                      **Manufacturer:** Apollo/Conbraco                      **Model:** DCDA2LF4A  
**Size:** 8                                      **Orientation:** H                                      **Meters:** (M),G,H,I,J,K,L,N,O,P,Q,T  
**Manual:** 10                                      **0.25% Pb:** Yes                                      **Spare Parts Only:** No  
**Approved:** 15-Dec-2017                      **Renewed:** 15-Dec-2020                      **Bypass:** Apollo 1/2" Model CVALF4A  
(HVD)  
**Shutoffs:** (xxxxx),yyy,yyyyy,zzzzz,aaaaa,xxxxxx

---

**Type:** DCDA-II                      **Manufacturer:** Apollo/Conbraco                      **Model:** DCDA2LF4A  
**Size:** 8                                      **Orientation:** VU                                      **Meters:** (M),G,H,I,J,K,L,N,O,P,Q,T  
**Manual:** 10                                      **0.25% Pb:** Yes                                      **Spare Parts Only:** No  
**Approved:** 15-Dec-2017                      **Renewed:** 15-Dec-2020                      **Bypass:** Apollo 1/2" Model CVALF4A  
(H)  
**Shutoffs:** (xxxxx),yyy,yyyyy,zzzzz,aaaaa,xxxxxx

---

**Type:** DCDA-II                      **Manufacturer:** Apollo/Conbraco                      **Model:** DCDA2LF4A  
**Size:** 10                                      **Orientation:** H                                      **Meters:** (M),G,H,I,J,K,L,N,O,P,Q,T  
**Manual:** 10                                      **0.25% Pb:** Yes                                      **Spare Parts Only:** No  
**Approved:** 05-Nov-2021                      **Renewed:**                                      **Bypass:** Apollo 1/2" Model CVALF4A  
(HVD)  
**Shutoffs:** (zzzzz), zzz,cccc,dddd,kkkk,llll,mmmm,nnnn,xxxxx, yyyyy,aaaaa

---

**Type:** DCDA-II                      **Manufacturer:** Apollo/Conbraco                      **Model:** DCDA2LF4A  
**Size:** 12                                      **Orientation:** H                                      **Meters:** (M),G,H,I,J,K,L,N,O,P,Q,T  
**Manual:** 10                                      **0.25% Pb:** Yes                                      **Spare Parts Only:** No  
**Approved:** 05-Nov-2021                      **Renewed:**                                      **Bypass:** Apollo 1/2" Model CVALF4A  
(HVD)  
**Shutoffs:** (bbbbbb), ll,mm,cccccc



**Type:** DCDA-II                                      **Manufacturer:** Apollo/Conbraco                                      **Model:** DCDA2LF4AN  
**Size:** 10    **Orientation:** VUVD                                      **Meters:** (M),G,H,I,J,K,L,N,O,P,Q,T  
**Manual:** 10    **0.25% Pb:** Yes                                      **Spare Parts Only:** No  
**Approved:** 12-Apr-2022                                      **Renewed:**                                      **Bypass:** Apollo 1/2" Model CVALF4A  
(HVD)  
**Shutoffs:** (zzzzz), yyy,zzz,cccc,dddd,kkkk,llll,mmmm,nnnn,xxxxx, yyyyy,aaaaaa

---

**Type:** DCDA-II                                      **Manufacturer:** Apollo/Conbraco                                      **Model:** DCDA2LF4AN  
**Size:** 12    **Orientation:** VUVD                                      **Meters:** (M),G,H,I,J,K,L,N,O,P,Q,T  
**Manual:** 10    **0.25% Pb:** Yes                                      **Spare Parts Only:** No  
**Approved:** 12-Apr-2022                                      **Renewed:**                                      **Bypass:** Apollo 1/2" Model CVALF4A  
(HVD)  
**Shutoffs:** (bbbbbb), ll,mm,cccccc

---

**Type:** DCDA-II                                      **Manufacturer:** Apollo/Conbraco                                      **Model:** DCDA2LF4AR  
**Size:** 2 1/2    **Orientation:** H                                      **Meters:** (M),G,H,I,J,K,L,N,O,Q,T  
**Manual:** 10    **0.25% Pb:** Yes                                      **Spare Parts Only:** No  
**Approved:** 27-Mar-2018                                      **Renewed:** 27-Mar-2021                                      **Bypass:** Apollo 1/2" Model CVALF4A  
(HVD)  
**Shutoffs:** (xxxxx),zzz,cccc,dddd,kkkk,llll,mmmm,nnnn,yyyyy,zzzzz,aaaaaa  
**Notes:** Integral Stainless Steel grooved spool between the #2 ck and #2 SOV - assembly length: min. 34" and max. 47 1/8"

---

**Type:** DCDA-II                                      **Manufacturer:** Apollo/Conbraco                                      **Model:** DCDA2LF4AR  
**Size:** 2 1/2    **Orientation:** VU                                      **Meters:** (M),G,H,I,J,K,L,N,O,Q,T  
**Manual:** 10    **0.25% Pb:** Yes                                      **Spare Parts Only:** No  
**Approved:** 27-Mar-2018                                      **Renewed:** 27-Mar-2021                                      **Bypass:** Apollo 1/2" Model CVALF4A  
(VUH)  
**Shutoffs:** (xxxxx),zzz,cccc,dddd,kkkk,llll,mmmm,nnnn,yyyyy,zzzzz,aaaaaa  
**Notes:** Integral Stainless Steel grooved spool between the #2 ck and #2 SOV - assembly length: min. 34" and max. 47 1/8"

---

**Type:** DCDA-II                                      **Manufacturer:** Apollo/Conbraco                                      **Model:** DCDA2LF4AR  
**Size:** 3    **Orientation:** H                                      **Meters:** (M),G,H,I,J,K,L,N,O,Q,T  
**Manual:** 10    **0.25% Pb:** Yes                                      **Spare Parts Only:** No  
**Approved:** 27-Mar-2018                                      **Renewed:** 27-Mar-2021                                      **Bypass:** Apollo 1/2" Model CVALF4A  
(HVD)  
**Shutoffs:** (xxxxx),zzz,cccc,dddd,kkkk,llll,mmmm,nnnn,yyyyy,zzzzz,aaaaaa  
**Notes:** Integral Stainless Steel grooved spool between the #2 ck and #2 SOV - assembly length: min. 35" and max. 48 1/8"

Type: DCDA-II

Size: 3

Manual: 10

Approved: 27-Mar-2018

Manufacturer: Apollo/Conbraco

Orientation: VU

0.25% Pb: Yes

Renewed: 27-Mar-2021

Model: DCDA2LF4AR

Meters: (M),G,H,I,J,K,L,N,O,Q,T

Spare Parts Only: No

Bypass: Apollo 1/2" Model CVALF4A (VUH)

Shutoffs: (xxxxx),zzz,cccc,dddd,kkkk,lIll,mmmm,nnnn,yyyyy,zzzzz,aaaaaa

Notes: Integral Stainless Steel grooved spool between the #2 ck and #2 SOV - assembly length: min. 35" and max. 48 1/8"

---

Type: DCDA-II

Size: 4

Manual: 10

Approved: 27-Mar-2018

Manufacturer: Apollo/Conbraco

Orientation: H

0.25% Pb: Yes

Renewed: 27-Mar-2021

Model: DCDA2LF4AR

Meters: (M),G,H,I,J,K,L,N,O,Q,T

Spare Parts Only: No

Bypass: Apollo 1/2" Model CVALF4A (HVD)

Shutoffs: (xxxxx),zzz,cccc,dddd,kkkk,lIll,mmmm,nnnn,yyyyy,zzzzz,aaaaaa

Notes: Integral Stainless Steel grooved spool between the #2 ck and #2 SOV - assembly length: min. 37 3/8" and max. 62 1/4"

---

Type: DCDA-II

Size: 4

Manual: 10

Approved: 27-Mar-2018

Manufacturer: Apollo/Conbraco

Orientation: VU

0.25% Pb: Yes

Renewed: 27-Mar-2021

Model: DCDA2LF4AR

Meters: (M),G,H,I,J,K,L,N,O,Q,T

Spare Parts Only: No

Bypass: Apollo 1/2" Model CVALF4A (H)

Shutoffs: (xxxxx),zzz,cccc,dddd,kkkk,lIll,mmmm,nnnn,yyyyy,zzzzz,aaaaaa

Notes: Integral Stainless Steel grooved spool between the #2 ck and #2 SOV - assembly length: min. 37 3/8" and max. 62 1/4"

---

Type: DCDA-II

Size: 6

Manual: 10

Approved: 27-Mar-2018

Manufacturer: Apollo/Conbraco

Orientation: H

0.25% Pb: Yes

Renewed: 27-Mar-2021

Model: DCDA2LF4AR

Meters: (M),G,H,I,J,K,L,N,O,Q,T

Spare Parts Only: No

Bypass: Apollo 1/2" Model CVALF4A (HVD)

Shutoffs: (xxxxx),zzz,cccc,dddd,kkkk,lIll,mmmm,nnnn,yyyyy,zzzzz,aaaaaa

Notes: Integral Stainless Steel grooved spool between the #2 ck and #2 SOV - assembly length: min. 46" and max. 71 1/4"

---

**Type:** DCDA-II                              **Manufacturer:** Apollo/Conbraco                              **Model:** DCDA2LF4AR  
**Size:** 6    **Orientation:** VU    **Meters:** (M),G,H,I,J,K,L,N,O,Q,T  
**Manual:** 10                                        **0.25% Pb:** Yes    **Spare Parts Only:** No  
**Approved:** 27-Mar-2018                              **Renewed:** 27-Mar-2021                              **Bypass:** Apollo 1/2" Model CVALF4A (H)  
**Shutoffs:** (xxxxx),zzz,cccc,dddd,kkkk,lIll,mmmm,nnnn,yyyyy,zzzzz,aaaaaa  
**Notes:** Integral Stainless Steel grooved spool between the #2 ck and #2 SOV - assembly length: min. 46" and max. 71 1/4"

---

**Type:** DCDA-II                              **Manufacturer:** Apollo/Conbraco                              **Model:** DCDA2LF4AR  
**Size:** 8    **Orientation:** H    **Meters:** (M),G,H,I,J,K,L,N,O,Q,T  
**Manual:** 10                                        **0.25% Pb:** Yes    **Spare Parts Only:** No  
**Approved:** 27-Mar-2018                              **Renewed:** 27-Mar-2021                              **Bypass:** Apollo 1/2" Model CVALF4A (HVD)  
**Shutoffs:** (xxxxx),zzz,cccc,dddd,kkkk,lIll,mmmm,nnnn,yyyyy,zzzzz,aaaaaa  
**Notes:** Integral Stainless Steel grooved spool between the #2 ck and #2 SOV - assembly length: min. 55 3/4" and max. 86"

---

**Type:** DCDA-II                              **Manufacturer:** Apollo/Conbraco                              **Model:** DCDA2LF4AR  
**Size:** 8    **Orientation:** VU    **Meters:** (M),G,H,I,J,K,L,N,O,Q,T  
**Manual:** 10                                        **0.25% Pb:** Yes    **Spare Parts Only:** No  
**Approved:** 27-Mar-2018                              **Renewed:** 27-Mar-2021                              **Bypass:** Apollo 1/2" Model CVALF4A (H)  
**Shutoffs:** (xxxxx),zzz,cccc,dddd,kkkk,lIll,mmmm,nnnn,yyyyy,zzzzz,aaaaaa  
**Notes:** Integral Stainless Steel grooved spool between the #2 ck and #2 SOV - assembly length: min. 55 3/4" and max. 86"

---

**Type:** DCDA-II                              **Manufacturer:** Apollo/Conbraco                              **Model:** DCDA2LF4AR  
**Size:** 10    **Orientation:** H    **Meters:** (M),G,H,I,J,K,L,N,O,P,Q,T  
**Manual:** 10                                        **0.25% Pb:** Yes    **Spare Parts Only:** No  
**Approved:** 05-Nov-2021                              **Renewed:**    **Bypass:** Apollo 1/2" Model CVALF4A (HVD)  
**Shutoffs:** (zzzzz), zzz,cccc,dddd,kkkk,lIll,mmmm,nnnn,xxxxx, yyyyy,aaaaaa  
**Notes:** Integral Stainless Steel grooved spool between the #2 ck and #2 SOV - assembly length: min. 65 3/4" and max. 100 5/8"

---

**Type:** DCDA-II                              **Manufacturer:** Backflow Direct                              **Model:** Deringer 30  
**Size:** 2 1/2                                        **Orientation:** H    **Meters:** (O),G,H,I,J,K,L,M,N,Q,T  
**Manual:** 10                                        **0.25% Pb:** Yes    **Spare Parts Only:** No  
**Approved:** 21-Dec-2015                              **Renewed:** 21-Dec-2021                              **Bypass:** Backflow Direct 1/2" CV(HVD)  
**Shutoffs:** (int)

**Type:** DCDA-II                      **Manufacturer:** Backflow Direct                      **Model:** Deringer 30  
**Size:** 2 1/2                      **Orientation:** VU                      **Meters:** (O),G,H,I,J,K,L,M,N,Q,T  
**Manual:** 10                      **0.25% Pb:** Yes                      **Spare Parts Only:** No  
**Approved:** 21-Dec-2015                      **Renewed:** 21-Dec-2021                      **Bypass:** Backflow Direct 1/2" CV(VUH)  
**Shutoffs:** (int)

---

**Type:** DCDA-II                      **Manufacturer:** Backflow Direct                      **Model:** Deringer 30  
**Size:** 3                      **Orientation:** H                      **Meters:** (O),G,H,I,J,K,L,M,N,Q,T  
**Manual:** 10                      **0.25% Pb:** Yes                      **Spare Parts Only:** No  
**Approved:** 21-Dec-2015                      **Renewed:** 21-Dec-2021                      **Bypass:** Backflow Direct 1/2" CV(HVD)  
**Shutoffs:** (int)

---

**Type:** DCDA-II                      **Manufacturer:** Backflow Direct                      **Model:** Deringer 30  
**Size:** 3                      **Orientation:** VU                      **Meters:** (O),G,H,I,J,K,L,M,N,Q,T  
**Manual:** 10                      **0.25% Pb:** Yes                      **Spare Parts Only:** No  
**Approved:** 21-Dec-2015                      **Renewed:** 21-Dec-2021                      **Bypass:** Backflow Direct 1/2" CV(VUH)  
**Shutoffs:** (int)

---

**Type:** DCDA-II                      **Manufacturer:** Backflow Direct                      **Model:** Deringer 30  
**Size:** 4                      **Orientation:** H                      **Meters:** (O),G,H,I,J,K,L,M,N,Q,T  
**Manual:** 10                      **0.25% Pb:** Yes                      **Spare Parts Only:** No  
**Approved:** 30-Sep-2015                      **Renewed:** 30-Sep-2021                      **Bypass:** Backflow Direct 1/2" CV(HVD)  
**Shutoffs:** (int)

---

**Type:** DCDA-II                      **Manufacturer:** Backflow Direct                      **Model:** Deringer 30  
**Size:** 4                      **Orientation:** VU                      **Meters:** (O),G,H,I,J,K,L,M,N,Q,T  
**Manual:** 10                      **0.25% Pb:** Yes                      **Spare Parts Only:** No  
**Approved:** 30-Sep-2015                      **Renewed:** 30-Sep-2021                      **Bypass:** Backflow Direct 1/2" CV(VUH)  
**Shutoffs:** (int)

---

**Type:** DCDA-II                      **Manufacturer:** Backflow Direct                      **Model:** Deringer 30  
**Size:** 6                      **Orientation:** H                      **Meters:** (O),G,H,I,J,K,L,M,N,Q,T  
**Manual:** 10                      **0.25% Pb:** Yes                      **Spare Parts Only:** No  
**Approved:** 30-Oct-2019                      **Renewed:**                      **Bypass:** Backflow Direct 1/2" CV(HVD)  
**Shutoffs:** (int)

---

**Type:** DCDA-II                      **Manufacturer:** Backflow Direct                      **Model:** Deringer 30  
**Size:** 6                      **Orientation:** VU                      **Meters:** (O),G,H,I,J,K,L,M,N,Q,T  
**Manual:** 10                      **0.25% Pb:** Yes                      **Spare Parts Only:** No  
**Approved:** 30-Oct-2019                      **Renewed:**                      **Bypass:** Backflow Direct 1/2" CV(VUH)  
**Shutoffs:** (int)

**Type:** DCDA-II                      **Manufacturer:** Backflow Direct                      **Model:** Deringer 30  
**Size:** 8                                      **Orientation:** H                                      **Meters:** (O),G,H,I,J,K,L,M,N,Q,T  
**Manual:** 10                                      **0.25% Pb:** Yes                                      **Spare Parts Only:** No  
**Approved:** 23-Dec-2016                      **Renewed:** 23-Dec-2019                      **Bypass:** Backflow Direct 1/2" CV(HVD)  
**Shutoffs:** (int)

---

**Type:** DCDA-II                      **Manufacturer:** Backflow Direct                      **Model:** Deringer 30  
**Size:** 8                                      **Orientation:** VU                                      **Meters:** (O),G,H,I,J,K,L,M,N,Q,T  
**Manual:** 10                                      **0.25% Pb:** Yes                                      **Spare Parts Only:** No  
**Approved:** 23-Dec-2016                      **Renewed:** 23-Dec-2019                      **Bypass:** Backflow Direct 1/2" CV(VUH)  
**Shutoffs:** (int)

---

**Type:** DCDA-II                      **Manufacturer:** Backflow Direct                      **Model:** Deringer 30G  
**Size:** 2 1/2                                      **Orientation:** H                                      **Meters:** (O),G,H,I,J,K,L,M,N,Q,T  
**Manual:** 10                                      **0.25% Pb:** Yes                                      **Spare Parts Only:** No  
**Approved:** 07-Dec-2018                      **Renewed:** 07-Dec-2021                      **Bypass:** Backflow Direct 1/2" CV(HVD)  
**Shutoffs:** (ssssss), tttttt

---

**Type:** DCDA-II                      **Manufacturer:** Backflow Direct                      **Model:** Deringer 30G  
**Size:** 2 1/2                                      **Orientation:** VU                                      **Meters:** (O),G,H,I,J,K,L,M,N,Q,T  
**Manual:** 10                                      **0.25% Pb:** Yes                                      **Spare Parts Only:** No  
**Approved:** 07-Dec-2018                      **Renewed:** 07-Dec-2021                      **Bypass:** Backflow Direct 1/2" CV(VUH)  
**Shutoffs:** (ssssss), tttttt

---

**Type:** DCDA-II                      **Manufacturer:** Backflow Direct                      **Model:** Deringer 30G  
**Size:** 3    **Orientation:** H                                      **Meters:** (O),G,H,I,J,K,L,M,N,Q,T  
**Manual:** 10                                      **0.25% Pb:** Yes                                      **Spare Parts Only:** No  
**Approved:** 07-Dec-2018                      **Renewed:** 07-Dec-2021                      **Bypass:** Backflow Direct 1/2" CV(HVD)  
**Shutoffs:** (ssssss), tttttt

---

**Type:** DCDA-II                      **Manufacturer:** Backflow Direct                      **Model:** Deringer 30G  
**Size:** 3    **Orientation:** VU                                      **Meters:** (O),G,H,I,J,K,L,M,N,Q,T  
**Manual:** 10                                      **0.25% Pb:** Yes                                      **Spare Parts Only:** No  
**Approved:** 07-Dec-2018                      **Renewed:** 07-Dec-2021                      **Bypass:** Backflow Direct 1/2" CV(VUH)  
**Shutoffs:** (ssssss), tttttt

---

**Type:** DCDA-II                      **Manufacturer:** Backflow Direct                      **Model:** Deringer 30G  
**Size:** 4    **Orientation:** H                                      **Meters:** (O),G,H,I,J,K,L,M,N,Q,T  
**Manual:** 10                                      **0.25% Pb:** Yes                                      **Spare Parts Only:** No  
**Approved:** 07-Dec-2018                      **Renewed:** 07-Dec-2021                      **Bypass:** Backflow Direct 1/2" CV(HVD)  
**Shutoffs:** (ssssss), tttttt

**Type:** DCDA-II                      **Manufacturer:** Backflow Direct                      **Model:** Deringer 30G  
**Size:** 4                                      **Orientation:** VU                                      **Meters:** (O),G,H,I,J,K,L,M,N,Q,T  
**Manual:** 10                                      **0.25% Pb:** Yes                                      **Spare Parts Only:** No  
**Approved:** 07-Dec-2018                      **Renewed:** 07-Dec-2021                      **Bypass:** Backflow Direct 1/2" CV(VUH)  
**Shutoffs:** (ssssss), tttttt

---

**Type:** DCDA-II                      **Manufacturer:** Backflow Direct                      **Model:** Deringer 30G  
**Size:** 6                                      **Orientation:** H                                      **Meters:** (O),G,H,I,J,K,L,M,N,Q,T  
**Manual:** 10                                      **0.25% Pb:** Yes                                      **Spare Parts Only:** No  
**Approved:** 16-Jan-2020                      **Renewed:**                                      **Bypass:** Backflow Direct 1/2" CV(HVD)  
**Shutoffs:** (ssssss), tttttt

---

**Type:** DCDA-II                      **Manufacturer:** Backflow Direct                      **Model:** Deringer 30G  
**Size:** 6                                      **Orientation:** VU                                      **Meters:** (O),G,H,I,J,K,L,M,N,Q,T  
**Manual:** 10                                      **0.25% Pb:** Yes                                      **Spare Parts Only:** No  
**Approved:** 16-Jan-2020                      **Renewed:**                                      **Bypass:** Backflow Direct 1/2" CV(VUH)  
**Shutoffs:** (ssssss), tttttt

---

**Type:** DCDA-II                      **Manufacturer:** Backflow Direct                      **Model:** Deringer 30G  
**Size:** 8                                      **Orientation:** H                                      **Meters:** (O),G,H,I,J,K,L,M,N,Q,T  
**Manual:** 10                                      **0.25% Pb:** Yes                                      **Spare Parts Only:** No  
**Approved:** 31-Jul-2018                      **Renewed:** 31-Jul-2021                      **Bypass:** Backflow Direct 1/2" CV(HVD)  
**Shutoffs:** (ssssss), tttttt

---

**Type:** DCDA-II                      **Manufacturer:** Backflow Direct                      **Model:** Deringer 30G  
**Size:** 8                                      **Orientation:** VU                                      **Meters:** (O),G,H,I,J,K,L,M,N,Q,T  
**Manual:** 10                                      **0.25% Pb:** Yes                                      **Spare Parts Only:** No  
**Approved:** 31-Jul-2018                      **Renewed:** 31-Jul-2021                      **Bypass:** Backflow Direct 1/2" CV(VUH)  
**Shutoffs:** (ssssss), tttttt

---

**Type:** DCDA-II                      **Manufacturer:** Backflow Direct                      **Model:** Deringer 30GX  
**Size:** 4                                      **Orientation:** H                                      **Meters:** (O),G,H,I,J,K,L,M,N,Q,T  
**Manual:** 10                                      **0.25% Pb:** Yes                                      **Spare Parts Only:** No  
**Approved:** 16-Jan-2020                      **Renewed:**                                      **Bypass:** Backflow Direct 1/2" CV(HVD)  
**Shutoffs:** (ssssss), tttttt

---

**Type:** DCDA-II                      **Manufacturer:** Backflow Direct                      **Model:** Deringer 30GX  
**Size:** 4                                      **Orientation:** VU                                      **Meters:** (O),G,H,I,J,K,L,M,N,Q,T  
**Manual:** 10                                      **0.25% Pb:** Yes                                      **Spare Parts Only:** No  
**Approved:** 16-Jan-2020                      **Renewed:**                                      **Bypass:** Backflow Direct 1/2" CV(VUH)  
**Shutoffs:** (ssssss), tttttt

**Type:** DCDA-II                      **Manufacturer:** Backflow Direct                      **Model:** Deringer 30GX  
**Size:** 6                                      **Orientation:** H                                      **Meters:** (O),G,H,I,J,K,L,M,N,Q,T  
**Manual:** 10                                      **0.25% Pb:** Yes                                      **Spare Parts Only:** No  
**Approved:** 31-Jul-2018                      **Renewed:** 31-Jul-2021                      **Bypass:** Backflow Direct 1/2" CV(HVD)  
**Shutoffs:** (ssssss), tttttt

---

**Type:** DCDA-II                      **Manufacturer:** Backflow Direct                      **Model:** Deringer 30GX  
**Size:** 6                                      **Orientation:** VU                                      **Meters:** (O),G,H,I,J,K,L,M,N,Q,T  
**Manual:** 10                                      **0.25% Pb:** Yes                                      **Spare Parts Only:** No  
**Approved:** 31-Jul-2018                      **Renewed:** 31-Jul-2021                      **Bypass:** Backflow Direct 1/2" CV(VUH)  
**Shutoffs:** (ssssss), tttttt

---

**Type:** DCDA-II                      **Manufacturer:** Backflow Direct                      **Model:** Deringer 30X  
**Size:** 4                                      **Orientation:** H                                      **Meters:** (O),G,H,I,J,K,L,M,N,Q,T  
**Manual:** 10                                      **0.25% Pb:** Yes                                      **Spare Parts Only:** No  
**Approved:** 30-Oct-2019                      **Renewed:**                                      **Bypass:** Backflow Direct 1/2" CV(HVD)  
**Shutoffs:** (int)

---

**Type:** DCDA-II                      **Manufacturer:** Backflow Direct                      **Model:** Deringer 30X  
**Size:** 4                                      **Orientation:** VU                                      **Meters:** (O),G,H,I,J,K,L,M,N,Q,T  
**Manual:** 10                                      **0.25% Pb:** Yes                                      **Spare Parts Only:** No  
**Approved:** 30-Oct-2019                      **Renewed:**                                      **Bypass:** Backflow Direct 1/2" CV(VUH)  
**Shutoffs:** (int)

---

**Type:** DCDA-II                      **Manufacturer:** Backflow Direct                      **Model:** Deringer 30X  
**Size:** 6                                      **Orientation:** H                                      **Meters:** (O),G,H,I,J,K,L,M,N,Q,T  
**Manual:** 10                                      **0.25% Pb:** Yes                                      **Spare Parts Only:** No  
**Approved:** 23-Dec-2016                      **Renewed:** 23-Dec-2019                      **Bypass:** Backflow Direct 1/2" CV(HVD)  
**Shutoffs:** (int)

---

**Type:** DCDA-II                      **Manufacturer:** Backflow Direct                      **Model:** Deringer 30X  
**Size:** 6                                      **Orientation:** VU                                      **Meters:** (O),G,H,I,J,K,L,M,N,Q,T  
**Manual:** 10                                      **0.25% Pb:** Yes                                      **Spare Parts Only:** No  
**Approved:** 23-Dec-2016                      **Renewed:** 23-Dec-2019                      **Bypass:** Backflow Direct 1/2" CV(VUH)  
**Shutoffs:** (int)

---

**Type:** DCDA-II                      **Manufacturer:** Febco                                      **Model:** LF856  
**Size:** 2 1/2                                      **Orientation:** H                                      **Meters:** (O),G,H,I,J,K,L,M,N,P,Q,T  
**Manual:** 10                                      **0.25% Pb:** Yes                                      **Spare Parts Only:** No  
**Approved:** 20-Mar-2015                      **Renewed:** 20-Mar-2021                      **Bypass:** Watts 3/4" LF619 (H)  
**Shutoffs:** (mm), ll,oo,pp,zzz,cccc,dddd,eeee,ffff,gggg,nnnnn

**Type:** DCDA-II                      **Manufacturer:** Febco                      **Model:** LF856  
**Size:** 2 1/2                      **Orientation:** VU                      **Meters:** (O),G,H,I,J,K,L,M,N,P,Q,T  
**Manual:** 10                      **0.25% Pb:** Yes                      **Spare Parts Only:** No  
**Approved:** 20-Mar-2015                      **Renewed:** 20-Mar-2021                      **Bypass:** Watts 3/4" LF619 (HVU)  
**Shutoffs:** (mm), ll,oo,pp,zzz,cccc,dddd,eeee,ffff,gggg,nnnnn

---

**Type:** DCDA-II                      **Manufacturer:** Febco                      **Model:** LF856  
**Size:** 3                      **Orientation:** H                      **Meters:** (O),G,H,I,J,K,L,M,N,P,Q,T  
**Manual:** 10                      **0.25% Pb:** Yes                      **Spare Parts Only:** No  
**Approved:** 20-Mar-2015                      **Renewed:** 20-Mar-2021                      **Bypass:** Watts 3/4" LF619 (H)  
**Shutoffs:** (mm), ll,oo,pp,zzz,cccc,dddd,eeee,ffff,gggg,nnnnn

---

**Type:** DCDA-II                      **Manufacturer:** Febco                      **Model:** LF856  
**Size:** 3                      **Orientation:** VU                      **Meters:** (O),G,H,I,J,K,L,M,N,P,Q,T  
**Manual:** 10                      **0.25% Pb:** Yes                      **Spare Parts Only:** No  
**Approved:** 20-Mar-2015                      **Renewed:** 20-Mar-2021                      **Bypass:** Watts 3/4" LF619 (HVU)  
**Shutoffs:** (mm), ll,oo,pp,zzz,cccc,dddd,eeee,ffff,gggg,nnnnn

---

**Type:** DCDA-II                      **Manufacturer:** Febco                      **Model:** LF856  
**Size:** 4                      **Orientation:** H                      **Meters:** (O),G,H,I,J,K,L,M,N,P,Q,T  
**Manual:** 10                      **0.25% Pb:** Yes                      **Spare Parts Only:** No  
**Approved:** 26-Jan-2015                      **Renewed:** 26-Jan-2021                      **Bypass:** Watts 3/4" LF619 (H)  
**Shutoffs:** (mm), ll,oo,pp,zzz,cccc,dddd,eeee,ffff,gggg,nnnnn

---

**Type:** DCDA-II                      **Manufacturer:** Febco                      **Model:** LF856  
**Size:** 4                      **Orientation:** VU                      **Meters:** (O),G,H,I,J,K,L,M,N,P,Q,T  
**Manual:** 10                      **0.25% Pb:** Yes                      **Spare Parts Only:** No  
**Approved:** 26-Jan-2015                      **Renewed:** 26-Jan-2021                      **Bypass:** Watts 3/4" LF619 (HVU)  
**Shutoffs:** (mm), ll,oo,pp,zzz,cccc,dddd,eeee,ffff,gggg,nnnnn

---

**Type:** DCDA-II                      **Manufacturer:** Febco                      **Model:** LF856  
**Size:** 6                      **Orientation:** H                      **Meters:** (O),G,H,I,J,K,L,M,N,P,Q,T  
**Manual:** 10                      **0.25% Pb:** Yes                      **Spare Parts Only:** No  
**Approved:** 13-Mar-2015                      **Renewed:** 13-Mar-2021                      **Bypass:** Watts 3/4" LF619 (H)  
**Shutoffs:** (mm), ll,oo,pp,zzz,cccc,dddd,eeee,ffff,gggg,nnnnn

---

**Type:** DCDA-II                      **Manufacturer:** Febco                      **Model:** LF856  
**Size:** 6                      **Orientation:** VU                      **Meters:** (O),G,H,I,J,K,L,M,N,P,Q,T  
**Manual:** 10                      **0.25% Pb:** Yes                      **Spare Parts Only:** No  
**Approved:** 13-Mar-2015                      **Renewed:** 13-Mar-2021                      **Bypass:** Watts 3/4" LF619 (HVU)  
**Shutoffs:** (mm), ll,oo,pp,zzz,cccc,dddd,eeee,ffff,gggg,nnnnn



**Type:** DCDA-II                      **Manufacturer:** Febco                      **Model:** LF856  
**Size:** 8                                      **Orientation:** H                                      **Meters:** (O),G,H,I,J,K,L,M,N,P,Q,T  
**Manual:** 10                                      **0.25% Pb:** Yes                                      **Spare Parts Only:** No  
**Approved:** 07-Jul-2015                      **Renewed:** 07-Jul-2021                      **Bypass:** Watts 3/4" LF619 (H)  
**Shutoffs:** (mm), ll,oo,pp,zzz,cccc,dddd,eeee,ffff,gggg,nnnnn

---

**Type:** DCDA-II                      **Manufacturer:** Febco                      **Model:** LF856  
**Size:** 8                                      **Orientation:** VU                                      **Meters:** (O),G,H,I,J,K,L,M,N,P,Q,T  
**Manual:** 10                                      **0.25% Pb:** Yes                                      **Spare Parts Only:** No  
**Approved:** 07-Jul-2015                      **Renewed:** 07-Jul-2021                      **Bypass:** Watts 3/4" LF619 (HVU)  
**Shutoffs:** (mm), ll,oo,pp,zzz,cccc,dddd,eeee,ffff,gggg,nnnnn

---

**Type:** DCDA-II                      **Manufacturer:** Febco                      **Model:** LF856  
**Size:** 10                                      **Orientation:** H                                      **Meters:** (O),G,H,I,J,K,L,M,N,P,Q,T  
**Manual:** 10                                      **0.25% Pb:** Yes                                      **Spare Parts Only:** No  
**Approved:** 07-Jul-2015                      **Renewed:** 07-Jul-2021                      **Bypass:** Watts 3/4" LF619 (H)  
**Shutoffs:** (mm), ll,oo,pp,zzz,cccc,dddd,eeee,ffff,gggg,nnnnn

---

**Type:** DCDA-II                      **Manufacturer:** Febco                      **Model:** LF856  
**Size:** 10                                      **Orientation:** VU                                      **Meters:** (O),G,H,I,J,K,L,M,N,P,Q,T  
**Manual:** 10                                      **0.25% Pb:** Yes                                      **Spare Parts Only:** No  
**Approved:** 07-Jul-2015                      **Renewed:** 07-Jul-2021                      **Bypass:** Watts 3/4" LF619 (HVU)  
**Shutoffs:** (mm), ll,oo,pp,zzz,cccc,dddd,eeee,ffff,gggg,nnnnn

---

**Type:** DCDA-II                      **Manufacturer:** Febco                      **Model:** LF876V  
**Size:** 2 1/2                                      **Orientation:** VUVD                                      **Meters:** (O),G,H,I,J,K,L,M,N,P,Q,T  
**Manual:** 10                                      **0.25% Pb:** Yes                                      **Spare Parts Only:** No  
**Approved:** 20-Mar-2015                      **Renewed:** 20-Mar-2021                      **Bypass:** Watts 3/4" LF619 (HVD)  
**Shutoffs:** (mm), ll,oo,pp,zzz,cccc,dddd,eeee,ffff,gggg,nnnnn

---

**Type:** DCDA-II                      **Manufacturer:** Febco                      **Model:** LF876V  
**Size:** 2 1/2                                      **Orientation:** VUVU                                      **Meters:** (O),G,H,I,J,K,L,M,N,P,Q,T  
**Manual:** 10                                      **0.25% Pb:** Yes                                      **Spare Parts Only:** No  
**Approved:** 20-Mar-2015                      **Renewed:** 20-Mar-2021                      **Bypass:** Watts 3/4" LF619 (HVD)  
**Shutoffs:** (mm), ll,oo,pp,zzz,cccc,dddd,eeee,ffff,gggg,nnnnn

---

**Type:** DCDA-II                      **Manufacturer:** Febco                      **Model:** LF876V  
**Size:** 3    **Orientation:** VUVD                                      **Meters:** (O),G,H,I,J,K,L,M,N,P,Q,T  
**Manual:** 10                                      **0.25% Pb:** Yes                                      **Spare Parts Only:** No  
**Approved:** 20-Mar-2015                      **Renewed:** 20-Mar-2021                      **Bypass:** Watts 3/4" LF619 (HVU)  
**Shutoffs:** (mm), ll,oo,pp,zzz,cccc,dddd,eeee,ffff,gggg,nnnnn

**Type:** DCDA-II                      **Manufacturer:** Febco                      **Model:** LF876V  
**Size:** 3                                  **Orientation:** VUVU                      **Meters:** (O),G,H,I,J,K,L,M,N,P,Q,T  
**Manual:** 10                              **0.25% Pb:** Yes                      **Spare Parts Only:** No  
**Approved:** 20-Mar-2015              **Renewed:** 20-Mar-2021              **Bypass:** Watts 3/4" LF619 (HVD)  
**Shutoffs:** (mm), ll,oo,pp,zzz,cccc,dddd,eeee,ffff,gggg,nnnnn

---

**Type:** DCDA-II                      **Manufacturer:** Febco                      **Model:** LF876V  
**Size:** 4                                  **Orientation:** VUVD                      **Meters:** (O),G,H,I,J,K,L,M,N,P,Q,T  
**Manual:** 10                              **0.25% Pb:** Yes                      **Spare Parts Only:** No  
**Approved:** 26-Jan-2015              **Renewed:** 26-Jan-2021              **Bypass:** Watts 3/4" LF619 (HVU)  
**Shutoffs:** (mm), ll,oo,pp,zzz,cccc,dddd,eeee,ffff,gggg,nnnnn

---

**Type:** DCDA-II                      **Manufacturer:** Febco                      **Model:** LF876V  
**Size:** 4                                  **Orientation:** VUVU                      **Meters:** (O),G,H,I,J,K,L,M,N,P,Q,T  
**Manual:** 10                              **0.25% Pb:** Yes                      **Spare Parts Only:** No  
**Approved:** 26-Jan-2015              **Renewed:** 26-Jan-2021              **Bypass:** Watts 3/4" LF619 (HVD)  
**Shutoffs:** (mm), ll,oo,pp,zzz,cccc,dddd,eeee,ffff,gggg,nnnnn

---

**Type:** DCDA-II                      **Manufacturer:** Febco                      **Model:** LF876V  
**Size:** 6                                  **Orientation:** VUVD                      **Meters:** (O),G,H,I,J,K,L,M,N,P,Q,T  
**Manual:** 10                              **0.25% Pb:** Yes                      **Spare Parts Only:** No  
**Approved:** 26-Jan-2015              **Renewed:** 26-Jan-2021              **Bypass:** Watts 3/4" LF619 (HVU)  
**Shutoffs:** (mm), ll,oo,pp,zzz,cccc,dddd,eeee,ffff,gggg,nnnnn

---

**Type:** DCDA-II                      **Manufacturer:** Febco                      **Model:** LF876V  
**Size:** 6                                  **Orientation:** VUVU                      **Meters:** (O),J,K,L,M,N,P,Q  
**Manual:** 10                              **0.25% Pb:** Yes                      **Spare Parts Only:** No  
**Approved:** 26-Jan-2015              **Renewed:** 26-Jan-2021              **Bypass:** Watts 3/4" LF619 (HVD)  
**Shutoffs:** (mm), ll,oo,pp,zzz,cccc,dddd,eeee,ffff,gggg,nnnnn

---

**Type:** DCDA-II                      **Manufacturer:** Febco                      **Model:** LF876V  
**Size:** 8                                  **Orientation:** VUVD                      **Meters:** (O),G,H,I,J,K,L,M,N,P,Q,T  
**Manual:** 10                              **0.25% Pb:** Yes                      **Spare Parts Only:** No  
**Approved:** 07-Jul-2015              **Renewed:** 07-Jul-2021              **Bypass:** Watts 3/4" LF619 (HVU)  
**Shutoffs:** (mm), ll,oo,pp,zzz,cccc,dddd,eeee,ffff,gggg,nnnnn

---

**Type:** DCDA-II                      **Manufacturer:** Febco                      **Model:** LF876V  
**Size:** 8                                  **Orientation:** VUVU                      **Meters:** (O),G,H,I,J,K,L,M,N,P,Q,T  
**Manual:** 10                              **0.25% Pb:** Yes                      **Spare Parts Only:** No  
**Approved:** 07-Jul-2015              **Renewed:** 07-Jul-2021              **Bypass:** Watts 3/4" LF619 (HVD)  
**Shutoffs:** (mm), ll,oo,pp,zzz,cccc,dddd,eeee,ffff,gggg,nnnnn

**Type:** DCDA-II                      **Manufacturer:** Febco                      **Model:** LF876V  
**Size:** 10                              **Orientation:** VUVD                      **Meters:** (O),G,H,I,J,K,L,M,N,P,Q,T  
**Manual:** 10                            **0.25% Pb:** Yes                      **Spare Parts Only:** No  
**Approved:** 29-May-2018              **Renewed:** 29-May-2021              **Bypass:** Watts 3/4" LF619 (HVU)  
**Shutoffs:** (mm),ll,oo,pp,zzz,cccc,dddd,eeee,ffff,gggg,nnnnn

---

**Type:** DCDA-II                      **Manufacturer:** Febco                      **Model:** LF876V  
**Size:** 10                              **Orientation:** VUVU                      **Meters:** (O),G,H,I,J,K,L,M,N,P,Q,T  
**Manual:** 10                            **0.25% Pb:** Yes                      **Spare Parts Only:** No  
**Approved:** 29-May-2018              **Renewed:** 29-May-2021              **Bypass:** Watts 3/4" LF619 (HVD)  
**Shutoffs:** (mm),ll,oo,pp,zzz,cccc,dddd,eeee,ffff,gggg,nnnnn

---

**Type:** DCDA-II                      **Manufacturer:** Febco                      **Model:** LF876W  
**Size:** 4                                **Orientation:** VUVD                      **Meters:** (O),G,H,I,J,K,L,M,N,P,Q,T  
**Manual:** 10                            **0.25% Pb:** Yes                      **Spare Parts Only:** No  
**Approved:** 26-Mar-2020              **Renewed:**                              **Bypass:** Watts 3/4" LF619 (HVU)  
**Shutoffs:** (mm), ll,oo,pp,zzz,cccc,dddd,eeee,ffff,gggg,nnnnn

---

**Type:** DCDA-II                      **Manufacturer:** Febco                      **Model:** LF876W  
**Size:** 4                                **Orientation:** VUVU                      **Meters:** (O),G,H,I,J,K,L,M,N,P,Q,T  
**Manual:** 10                            **0.25% Pb:** Yes                      **Spare Parts Only:** No  
**Approved:** 26-Mar-2020              **Renewed:**                              **Bypass:** Watts 3/4" LF619 (HVD)  
**Shutoffs:** (mm), ll,oo,pp,zzz,cccc,dddd,eeee,ffff,gggg,nnnnn

---

**Type:** DCDA-II                      **Manufacturer:** Febco                      **Model:** LF876W  
**Size:** 6                                **Orientation:** VUVD                      **Meters:** (O),G,H,I,J,K,L,M,N,P,Q,T  
**Manual:** 10                            **0.25% Pb:** Yes                      **Spare Parts Only:** No  
**Approved:** 26-Mar-2020              **Renewed:**                              **Bypass:** Watts 3/4" LF619 (HVU)  
**Shutoffs:** (mm), ll,oo,pp,zzz,cccc,dddd,eeee,ffff,gggg,nnnnn

---

**Type:** DCDA-II                      **Manufacturer:** Febco                      **Model:** LF876W  
**Size:** 6                                **Orientation:** VUVU                      **Meters:** (O),G,H,I,J,K,L,M,N,P,Q,T  
**Manual:** 10                            **0.25% Pb:** Yes                      **Spare Parts Only:** No  
**Approved:** 26-Mar-2020              **Renewed:**                              **Bypass:** Watts 3/4" LF619 (HVD)  
**Shutoffs:** (mm), ll,oo,pp,zzz,cccc,dddd,eeee,ffff,gggg,nnnnn

---

**Type:** DCDA-II                      **Manufacturer:** Febco                      **Model:** LF876W  
**Size:** 8                                **Orientation:** VUVD                      **Meters:** (O),G,H,I,J,K,L,M,N,P,Q,T  
**Manual:** 10                            **0.25% Pb:** Yes                      **Spare Parts Only:** No  
**Approved:** 15-May-2020              **Renewed:**                              **Bypass:** Watts 3/4" LF619 (HVU)  
**Shutoffs:** (mm), ll,oo,pp,zzz,cccc,dddd,eeee,ffff,gggg,nnnnn

**Type:** DCDA-II                      **Manufacturer:** Febco                      **Model:** LF876W  
**Size:** 8                                      **Orientation:** VUVU                      **Meters:** (O),G,H,I,J,K,L,M,N,P,Q,T  
**Manual:** 10                                      **0.25% Pb:** Yes                      **Spare Parts Only:** No  
**Approved:** 15-May-2020                      **Renewed:**                      **Bypass:** Watts 3/4" LF619 (HVD)  
**Shutoffs:** (mm), ll,oo,pp,zzz,cccc,dddd,eeee,ffff,gggg,nnnnn

---

**Type:** DCDA-II                      **Manufacturer:** Febco                      **Model:** LF876W  
**Size:** 10                                      **Orientation:** VUVD                      **Meters:** (O),G,H,I,J,K,L,M,N,P,Q,T  
**Manual:** 10                                      **0.25% Pb:** Yes                      **Spare Parts Only:** No  
**Approved:** 15-May-2020                      **Renewed:**                      **Bypass:** Watts 3/4" LF619 (HVU)  
**Shutoffs:** (mm),ll,oo,pp,zzz,cccc,dddd,eeee,ffff,gggg,nnnnn

---

**Type:** DCDA-II                      **Manufacturer:** Febco                      **Model:** LF876W  
**Size:** 10                                      **Orientation:** VUVU                      **Meters:** (O),G,H,I,J,K,L,M,N,P,Q,T  
**Manual:** 10                                      **0.25% Pb:** Yes                      **Spare Parts Only:** No  
**Approved:** 15-May-2020                      **Renewed:**                      **Bypass:** Watts 3/4" LF619 (HVD)  
**Shutoffs:** (mm),ll,oo,pp,zzz,cccc,dddd,eeee,ffff,gggg,nnnnn

---

**Type:** DCDA-II                      **Manufacturer:** Febco                      **Model:** LF876WZ  
**Size:** 4                                      **Orientation:** VUVD                      **Meters:** (O),G,H,I,J,K,L,M,N,P,Q,T  
**Manual:** 10                                      **0.25% Pb:** Yes                      **Spare Parts Only:** No  
**Approved:** 26-Mar-2020                      **Renewed:**                      **Bypass:** Watts 3/4" LF619 (HVU)  
**Shutoffs:** (mm), ll,oo,pp,zzz,cccc,dddd,eeee,ffff,gggg,nnnnn

---

**Type:** DCDA-II                      **Manufacturer:** Febco                      **Model:** LF876WZ  
**Size:** 4                                      **Orientation:** VUVU                      **Meters:** (O),G,H,I,J,K,L,M,N,P,Q,T  
**Manual:** 10                                      **0.25% Pb:** Yes                      **Spare Parts Only:** No  
**Approved:** 26-Mar-2020                      **Renewed:**                      **Bypass:** Watts 3/4" LF619 (HVD)  
**Shutoffs:** (mm), ll,oo,pp,zzz,cccc,dddd,eeee,ffff,gggg,nnnnn

---

**Type:** DCDA-II                      **Manufacturer:** Febco                      **Model:** LF876WZ  
**Size:** 6                                      **Orientation:** VUVD                      **Meters:** (O),G,H,I,J,K,L,M,N,P,Q,T  
**Manual:** 10                                      **0.25% Pb:** Yes                      **Spare Parts Only:** No  
**Approved:** 26-Mar-2020                      **Renewed:**                      **Bypass:** Watts 3/4" LF619 (HVU)  
**Shutoffs:** (mm), ll,oo,pp,zzz,cccc,dddd,eeee,ffff,gggg,nnnnn

---

**Type:** DCDA-II                      **Manufacturer:** Febco                      **Model:** LF876WZ  
**Size:** 6                                      **Orientation:** VUVU                      **Meters:** (O),G,H,I,J,K,L,M,N,P,Q,T  
**Manual:** 10                                      **0.25% Pb:** Yes                      **Spare Parts Only:** No  
**Approved:** 26-Mar-2020                      **Renewed:**                      **Bypass:** Watts 3/4" LF619 (HVD)  
**Shutoffs:** (mm), ll,oo,pp,zzz,cccc,dddd,eeee,ffff,gggg,nnnnn

**Type:** DCDA-II                      **Manufacturer:** Febco                      **Model:** LF876WZ  
**Size:** 8                                      **Orientation:** VUVD                      **Meters:** (O),G,H,I,J,K,L,M,N,P,Q,T  
**Manual:** 10                                      **0.25% Pb:** Yes                      **Spare Parts Only:** No  
**Approved:** 15-May-2020                      **Renewed:**                      **Bypass:** Watts 3/4" LF619 (HVU)  
**Shutoffs:** (mm), ll,oo,pp,zzz,cccc,dddd,eeee,ffff,gggg,nnnnn

---

**Type:** DCDA-II                      **Manufacturer:** Febco                      **Model:** LF876WZ  
**Size:** 8                                      **Orientation:** VUVU                      **Meters:** (O),G,H,I,J,K,L,M,N,P,Q,T  
**Manual:** 10                                      **0.25% Pb:** Yes                      **Spare Parts Only:** No  
**Approved:** 15-May-2020                      **Renewed:**                      **Bypass:** Watts 3/4" LF619 (HVD)  
**Shutoffs:** (mm), ll,oo,pp,zzz,cccc,dddd,eeee,ffff,gggg,nnnnn

---

**Type:** DCDA-II                      **Manufacturer:** Febco                      **Model:** LF876WZ  
**Size:** 10                                      **Orientation:** VUVD                      **Meters:** (O),G,H,I,J,K,L,M,N,P,Q,T  
**Manual:** 10                                      **0.25% Pb:** Yes                      **Spare Parts Only:** No  
**Approved:** 15-May-2020                      **Renewed:**                      **Bypass:** Watts 3/4" LF619 (HVU)  
**Shutoffs:** (mm),ll,oo,pp,zzz,cccc,dddd,eeee,ffff,gggg,nnnnn

---

**Type:** DCDA-II                      **Manufacturer:** Febco                      **Model:** LF876WZ  
**Size:** 10                                      **Orientation:** VUVU                      **Meters:** (O),G,H,I,J,K,L,M,N,P,Q,T  
**Manual:** 10                                      **0.25% Pb:** Yes                      **Spare Parts Only:** No  
**Approved:** 15-May-2020                      **Renewed:**                      **Bypass:** Watts 3/4" LF619 (HVD)  
**Shutoffs:** (mm),ll,oo,pp,zzz,cccc,dddd,eeee,ffff,gggg,nnnnn

---

**Type:** PVB                                      **Manufacturer:** Ames                      **Model:** A200  
**Size:** 3/4                                      **Orientation:** VUH                      **Meters:**  
**Manual:** 8                                      **0.25% Pb:** No                      **Spare Parts Only:** Yes  
**Approved:** 06-Apr-1993                      **Renewed:** 06-Apr-2020                      **Bypass:**  
**Shutoffs:** (vv),xx,ooo,hhhh,pppp

---

**Type:** PVB                                      **Manufacturer:** Ames                      **Model:** A200  
**Size:** 1                                      **Orientation:** VUH                      **Meters:**  
**Manual:** 8                                      **0.25% Pb:** No                      **Spare Parts Only:** Yes  
**Approved:** 25-May-1993                      **Renewed:** 25-May-2020                      **Bypass:**  
**Shutoffs:** (vv),xx,ooo,hhhh,pppp

---

**Type:** PVB                                      **Manufacturer:** Ames                      **Model:** A200  
**Size:** 1 1/2                                      **Orientation:** VUH                      **Meters:**  
**Manual:** 8                                      **0.25% Pb:** No                      **Spare Parts Only:** Yes  
**Approved:** 21-Jun-1993                      **Renewed:** 21-Jun-2020                      **Bypass:**  
**Shutoffs:** (vv),xx,ooo,hhhh,pppp

**Type:** PVB                                    **Manufacturer:** Ames                                    **Model:** A200  
**Size:** 2                                        **Orientation:** VUH                                    **Meters:**  
**Manual:** 8                                    **0.25% Pb:** No                                    **Spare Parts Only:** Yes  
**Approved:** 21-Jun-1993                                    **Renewed:** 21-Jun-2020                                    **Bypass:**  
**Shutoffs:** (vv),xx,ooo,hhhh,pppp

---

**Type:** PVB                                    **Manufacturer:** Apollo/Conbraco                                    **Model:** 4050302  
**Size:** 1/2                                        **Orientation:** VUH                                    **Meters:**  
**Manual:** 8                                    **0.25% Pb:** No                                    **Spare Parts Only:** Yes  
**Approved:** 06-Sep-1991                                    **Renewed:** 06-Sep-2021                                    **Bypass:**  
**Shutoffs:** dd

---

**Type:** PVB                                    **Manufacturer:** Apollo/Conbraco                                    **Model:** 4050402  
**Size:** 3/4                                        **Orientation:** VUH                                    **Meters:**  
**Manual:** 8                                    **0.25% Pb:** No                                    **Spare Parts Only:** Yes  
**Approved:** 06-Sep-1991                                    **Renewed:** 06-Sep-2021                                    **Bypass:**  
**Shutoffs:** (dd)

---

**Type:** PVB                                    **Manufacturer:** Apollo/Conbraco                                    **Model:** 4050502  
**Size:** 1                                        **Orientation:** VUH                                    **Meters:**  
**Manual:** 8                                    **0.25% Pb:** No                                    **Spare Parts Only:** Yes  
**Approved:** 06-Sep-1991                                    **Renewed:** 06-Sep-2021                                    **Bypass:**  
**Shutoffs:** (dd)

---

**Type:** PVB                                    **Manufacturer:** Apollo/Conbraco                                    **Model:** 4050602  
**Size:** 1 1/4                                        **Orientation:** VUH                                    **Meters:**  
**Manual:** 8                                    **0.25% Pb:** No                                    **Spare Parts Only:** Yes  
**Approved:** 01-Dec-1993                                    **Renewed:** 01-Dec-2020                                    **Bypass:**  
**Shutoffs:** (dd)

---

**Type:** PVB                                    **Manufacturer:** Apollo/Conbraco                                    **Model:** 4050702  
**Size:** 1 1/2                                        **Orientation:** VUH                                    **Meters:**  
**Manual:** 8                                    **0.25% Pb:** No                                    **Spare Parts Only:** Yes  
**Approved:** 01-Dec-1993                                    **Renewed:** 01-Dec-2020                                    **Bypass:**  
**Shutoffs:** (dd)

---

**Type:** PVB                                    **Manufacturer:** Apollo/Conbraco                                    **Model:** 4050802  
**Size:** 2                                        **Orientation:** VUH                                    **Meters:**  
**Manual:** 8                                    **0.25% Pb:** No                                    **Spare Parts Only:** Yes  
**Approved:** 01-Dec-1993                                    **Renewed:** 01-Dec-2020                                    **Bypass:**  
**Shutoffs:** (dd)

**Type:** PVB                                   **Manufacturer:** Apollo/Conbraco                                   **Model:** PVB  
**Size:** 1/2                                   **Orientation:**                                   **Meters:**  
**Manual:**                                   **0.25% Pb:** No                                   **Spare Parts Only:** No  
**Approved:**                                   **Renewed:**                                   **Bypass:**  
**Notes:** model designation changed to PVB4V

---

**Type:** PVB                                   **Manufacturer:** Apollo/Conbraco                                   **Model:** PVB  
**Size:** 3/4                                   **Orientation:**                                   **Meters:**  
**Manual:**                                   **0.25% Pb:** No                                   **Spare Parts Only:** No  
**Approved:**                                   **Renewed:**                                   **Bypass:**  
**Notes:** model designation changed to PVB4V

---

**Type:** PVB                                   **Manufacturer:** Apollo/Conbraco                                   **Model:** PVB  
**Size:** 1                                   **Orientation:**                                   **Meters:**  
**Manual:**                                   **0.25% Pb:** No                                   **Spare Parts Only:** No  
**Approved:**                                   **Renewed:**                                   **Bypass:**  
**Notes:** model designation changed to PVB4V

---

**Type:** PVB                                   **Manufacturer:** Apollo/Conbraco                                   **Model:** PVB  
**Size:** 1 1/4                                   **Orientation:**                                   **Meters:**  
**Manual:**                                   **0.25% Pb:** No                                   **Spare Parts Only:** No  
**Approved:**                                   **Renewed:**                                   **Bypass:**  
**Notes:** model designation changed to PVB4V

---

**Type:** PVB                                   **Manufacturer:** Apollo/Conbraco                                   **Model:** PVB  
**Size:** 1 1/2                                   **Orientation:**                                   **Meters:**  
**Manual:**                                   **0.25% Pb:** No                                   **Spare Parts Only:** No  
**Approved:**                                   **Renewed:**                                   **Bypass:**  
**Notes:** model designation changed to PVB4V

---

**Type:** PVB                                   **Manufacturer:** Apollo/Conbraco                                   **Model:** PVB  
**Size:** 2                                   **Orientation:**                                   **Meters:**  
**Manual:**                                   **0.25% Pb:** No                                   **Spare Parts Only:** No  
**Approved:**                                   **Renewed:**                                   **Bypass:**  
**Notes:** model designation changed to PVB4V

---

**Type:** PVB                                   **Manufacturer:** Apollo/Conbraco                                   **Model:** PVB4A  
**Size:** 1/2                                   **Orientation:** VUH                                   **Meters:**  
**Manual:** 9                                   **0.25% Pb:** No                                   **Spare Parts Only:** No  
**Approved:** 18-Nov-2010                                   **Renewed:** 18-Nov-2019                                   **Bypass:**  
**Shutoffs:** (iiii),sssss

<b>Type:</b> PVB	<b>Manufacturer:</b> Apollo/Conbraco	<b>Model:</b> PVB4A
<b>Size:</b> 3/4	<b>Orientation:</b> VUH	<b>Meters:</b>
<b>Manual:</b> 9	<b>0.25% Pb:</b> No	<b>Spare Parts Only:</b> No
<b>Approved:</b> 18-Nov-2010	<b>Renewed:</b> 18-Nov-2019	<b>Bypass:</b>
<b>Shutoffs:</b> (iiii),sssss		

---

<b>Type:</b> PVB	<b>Manufacturer:</b> Apollo/Conbraco	<b>Model:</b> PVB4A
<b>Size:</b> 1	<b>Orientation:</b> VUH	<b>Meters:</b>
<b>Manual:</b> 9	<b>0.25% Pb:</b> No	<b>Spare Parts Only:</b> No
<b>Approved:</b> 18-Nov-2010	<b>Renewed:</b> 18-Nov-2019	<b>Bypass:</b>
<b>Shutoffs:</b> (iiii),sssss		

---

<b>Type:</b> PVB	<b>Manufacturer:</b> Apollo/Conbraco	<b>Model:</b> PVB4A
<b>Size:</b> 1 1/4	<b>Orientation:</b> VUH	<b>Meters:</b>
<b>Manual:</b> 9	<b>0.25% Pb:</b> No	<b>Spare Parts Only:</b> No
<b>Approved:</b> 27-Apr-2011	<b>Renewed:</b> 27-Apr-2020	<b>Bypass:</b>
<b>Shutoffs:</b> (iiii),sssss		

---

<b>Type:</b> PVB	<b>Manufacturer:</b> Apollo/Conbraco	<b>Model:</b> PVB4A
<b>Size:</b> 1 1/2	<b>Orientation:</b> VUH	<b>Meters:</b>
<b>Manual:</b> 9	<b>0.25% Pb:</b> No	<b>Spare Parts Only:</b> No
<b>Approved:</b> 27-Apr-2011	<b>Renewed:</b> 27-Apr-2020	<b>Bypass:</b>
<b>Shutoffs:</b> (iiii),sssss		

---

<b>Type:</b> PVB	<b>Manufacturer:</b> Apollo/Conbraco	<b>Model:</b> PVB4A
<b>Size:</b> 2	<b>Orientation:</b> VUH	<b>Meters:</b>
<b>Manual:</b> 9	<b>0.25% Pb:</b> No	<b>Spare Parts Only:</b> No
<b>Approved:</b> 30-Jan-2012	<b>Renewed:</b> 30-Jan-2021	<b>Bypass:</b>
<b>Shutoffs:</b> (iiii),sssss		

---

<b>Type:</b> PVB	<b>Manufacturer:</b> Apollo/Conbraco	<b>Model:</b> PVB4V
<b>Size:</b> 1/2	<b>Orientation:</b> VUH	<b>Meters:</b>
<b>Manual:</b> 9	<b>0.25% Pb:</b> No	<b>Spare Parts Only:</b> Yes
<b>Approved:</b> 23-Sep-1999	<b>Renewed:</b> 23-Sep-2020	<b>Bypass:</b>
<b>Shutoffs:</b> (dd)		
<b>Notes:</b> formerly PVB		



---

<b>Type:</b> PVB	<b>Manufacturer:</b> Apollo/Conbraco	<b>Model:</b> PVB4V
<b>Size:</b> 3/4	<b>Orientation:</b> VUH	<b>Meters:</b>
<b>Manual:</b> 9	<b>0.25% Pb:</b> No	<b>Spare Parts Only:</b> Yes
<b>Approved:</b> 23-Sep-1999	<b>Renewed:</b> 23-Sep-2020	<b>Bypass:</b>
<b>Shutoffs:</b> (dd)		
<b>Notes:</b> formerly PVB		

---

<b>Type:</b> PVB	<b>Manufacturer:</b> Apollo/Conbraco	<b>Model:</b> PVB4V
<b>Size:</b> 1	<b>Orientation:</b> VUH	<b>Meters:</b>
<b>Manual:</b> 9	<b>0.25% Pb:</b> No	<b>Spare Parts Only:</b> Yes
<b>Approved:</b> 23-Sep-1999	<b>Renewed:</b> 23-Sep-2020	<b>Bypass:</b>
<b>Shutoffs:</b> (dd)		
<b>Notes:</b> formerly PVB		

---

<b>Type:</b> PVB	<b>Manufacturer:</b> Apollo/Conbraco	<b>Model:</b> PVB4V
<b>Size:</b> 1 1/4	<b>Orientation:</b> VUH	<b>Meters:</b>
<b>Manual:</b> 9	<b>0.25% Pb:</b> No	<b>Spare Parts Only:</b> Yes
<b>Approved:</b> 07-Oct-2002	<b>Renewed:</b> 07-Oct-2020	<b>Bypass:</b>
<b>Shutoffs:</b> (dd)		
<b>Notes:</b> formerly PVB		

---

<b>Type:</b> PVB	<b>Manufacturer:</b> Apollo/Conbraco	<b>Model:</b> PVB4V
<b>Size:</b> 1 1/2	<b>Orientation:</b> VUH	<b>Meters:</b>
<b>Manual:</b> 9	<b>0.25% Pb:</b> No	<b>Spare Parts Only:</b> Yes
<b>Approved:</b> 07-Oct-2002	<b>Renewed:</b> 07-Oct-2020	<b>Bypass:</b>
<b>Shutoffs:</b> (dd)		
<b>Notes:</b> formerly PVB		

---

<b>Type:</b> PVB	<b>Manufacturer:</b> Apollo/Conbraco	<b>Model:</b> PVB4V
<b>Size:</b> 2	<b>Orientation:</b> VUH	<b>Meters:</b>
<b>Manual:</b> 9	<b>0.25% Pb:</b> No	<b>Spare Parts Only:</b> Yes
<b>Approved:</b> 18-Jun-2003	<b>Renewed:</b> 18-Jun-2021	<b>Bypass:</b>
<b>Shutoffs:</b> (dd)		
<b>Notes:</b> formerly PVB		

---

<b>Type:</b> PVB	<b>Manufacturer:</b> ARI	<b>Model:</b> VB-501
<b>Size:</b> 1/2	<b>Orientation:</b> VUH	<b>Meters:</b>
<b>Manual:</b> 10	<b>0.25% Pb:</b> No	<b>Spare Parts Only:</b> No
<b>Approved:</b> 06-Sep-2018	<b>Renewed:</b> 06-Sep-2021	<b>Bypass:</b>
<b>Shutoffs:</b> (int)		

**Type:** PVB                                      **Manufacturer:** ARI                                      **Model:** VB-501  
**Size:** 3/4    **Orientation:** VUH                                      **Meters:**  
**Manual:** 10    **0.25% Pb:** No                                      **Spare Parts Only:** No  
**Approved:** 13-Jun-2018                                      **Renewed:** 13-Jun-2021                                      **Bypass:**  
**Shutoffs:** (int)

---

**Type:** PVB                                      **Manufacturer:** ARI                                      **Model:** VB-501  
**Size:** 1    **Orientation:** VUH                                      **Meters:**  
**Manual:** 10    **0.25% Pb:** No                                      **Spare Parts Only:** No  
**Approved:** 13-Jun-2018                                      **Renewed:** 13-Jun-2021                                      **Bypass:**  
**Shutoffs:** (int)

---

**Type:** PVB                                      **Manufacturer:** Conbraco                                      **Model:**  
**Size:**    **Orientation:**                                      **Meters:**  
**Manual:**    **0.25% Pb:** No                                      **Spare Parts Only:** No  
**Approved:**    **Renewed:**                                      **Bypass:**  
**Notes:** See Apollo/Conbraco

---

**Type:** PVB                                      **Manufacturer:** Febco                                      **Model:** 765  
**Size:** 1/2    **Orientation:** VUH                                      **Meters:**  
**Manual:** 5    **0.25% Pb:** No                                      **Spare Parts Only:** No  
**Approved:** 26-Mar-1974                                      **Renewed:** 26-Mar-2022                                      **Bypass:**  
**Shutoffs:** (ii),fff,jjj,ooo

---

**Type:** PVB                                      **Manufacturer:** Febco                                      **Model:** 765  
**Size:** 3/4    **Orientation:** VUH                                      **Meters:**  
**Manual:** 5    **0.25% Pb:** No                                      **Spare Parts Only:** No  
**Approved:** 26-Mar-1974                                      **Renewed:** 26-Mar-2022                                      **Bypass:**  
**Shutoffs:** (ii),fff,jjj,ooo,xxx

---

**Type:** PVB                                      **Manufacturer:** Febco                                      **Model:** 765  
**Size:** 1    **Orientation:** VUH                                      **Meters:**  
**Manual:** 5    **0.25% Pb:** No                                      **Spare Parts Only:** No  
**Approved:** 26-Mar-1974                                      **Renewed:** 26-Mar-2022                                      **Bypass:**  
**Shutoffs:** (ii),fff,jjj,ooo,xxx

---

**Type:** PVB                                      **Manufacturer:** Febco                                      **Model:** 765  
**Size:** 1 1/4    **Orientation:** VUH                                      **Meters:**  
**Manual:** 5    **0.25% Pb:** No                                      **Spare Parts Only:** No  
**Approved:** 26-Mar-1974                                      **Renewed:** 26-Mar-2022                                      **Bypass:**  
**Shutoffs:** (ii),fff,jjj,ooo

**Type:** PVB  
**Size:** 1 1/2  
**Manual:** 5  
**Approved:** 26-Mar-1974  
**Shutoffs:** (ii),fff,jjj,ooo,xxx

**Manufacturer:** Febco  
**Orientation:** VUH  
**0.25% Pb:** No  
**Renewed:** 26-Mar-2022

**Model:** 765  
**Meters:**  
**Spare Parts Only:** No  
**Bypass:**

---

**Type:** PVB  
**Size:** 2  
**Manual:** 5  
**Approved:** 26-Mar-1974  
**Shutoffs:** (ii),fff,ooo,xxx

**Manufacturer:** Febco  
**Orientation:** VUH  
**0.25% Pb:** No  
**Renewed:** 26-Mar-2022

**Model:** 765  
**Meters:**  
**Spare Parts Only:** No  
**Bypass:**

---

**Type:** PVB  
**Size:** 1/2  
**Manual:** 9  
**Approved:** 01-Aug-2006  
**Shutoffs:** (vv), xx,pppp,rrrr

**Manufacturer:** Febco  
**Orientation:** VUH  
**0.25% Pb:** No  
**Renewed:** 01-Aug-2021

**Model:** 767-FR  
**Meters:**  
**Spare Parts Only:** Yes  
**Bypass:**

---

**Type:** PVB  
**Size:** 3/4  
**Manual:** 9  
**Approved:** 01-Aug-2006  
**Shutoffs:** (vv), xx,pppp,rrrr

**Manufacturer:** Febco  
**Orientation:** VUH  
**0.25% Pb:** No  
**Renewed:** 01-Aug-2021

**Model:** 767-FR  
**Meters:**  
**Spare Parts Only:** Yes  
**Bypass:**

---

**Type:** PVB  
**Size:** 1  
**Manual:** 9  
**Approved:** 01-Aug-2006  
**Shutoffs:** (vv), xx,pppp,rrrr

**Manufacturer:** Febco  
**Orientation:** VUH  
**0.25% Pb:** No  
**Renewed:** 01-Aug-2021

**Model:** 767-FR  
**Meters:**  
**Spare Parts Only:** Yes  
**Bypass:**

---

**Type:** PVB  
**Size:** 1 1/4  
**Manual:** 9  
**Approved:** 01-Aug-2006  
**Shutoffs:** (vv), xx,pppp,rrrr

**Manufacturer:** Febco  
**Orientation:** VUH  
**0.25% Pb:** No  
**Renewed:** 01-Aug-2021

**Model:** 767-FR  
**Meters:**  
**Spare Parts Only:** Yes  
**Bypass:**

---

**Type:** PVB  
**Size:** 1 1/2  
**Manual:** 9  
**Approved:** 01-Aug-2006  
**Shutoffs:** (vv), xx,pppp,rrrr

**Manufacturer:** Febco  
**Orientation:** VUH  
**0.25% Pb:** No  
**Renewed:** 01-Aug-2021

**Model:** 767-FR  
**Meters:**  
**Spare Parts Only:** Yes  
**Bypass:**

<b>Type:</b> PVB	<b>Manufacturer:</b> Febco	<b>Model:</b> 767-FR
<b>Size:</b> 2	<b>Orientation:</b> VUH	<b>Meters:</b>
<b>Manual:</b> 9	<b>0.25% Pb:</b> No	<b>Spare Parts Only:</b> Yes
<b>Approved:</b> 01-Aug-2006	<b>Renewed:</b> 01-Aug-2021	<b>Bypass:</b>
<b>Shutoffs:</b> (vv), xx,pppp,rrrr		

---

<b>Type:</b> PVB	<b>Manufacturer:</b> Febco	<b>Model:</b> LF767FR
<b>Size:</b> 1/2	<b>Orientation:</b> VUH	<b>Meters:</b>
<b>Manual:</b> 9	<b>0.25% Pb:</b> Yes	<b>Spare Parts Only:</b> No
<b>Approved:</b> 04-May-2010	<b>Renewed:</b> 04-May-2022	<b>Bypass:</b>
<b>Shutoffs:</b> (hhhh),rrrr		

---

<b>Type:</b> PVB	<b>Manufacturer:</b> Febco	<b>Model:</b> LF767FR
<b>Size:</b> 3/4	<b>Orientation:</b> VUH	<b>Meters:</b>
<b>Manual:</b> 9	<b>0.25% Pb:</b> Yes	<b>Spare Parts Only:</b> No
<b>Approved:</b> 04-May-2010	<b>Renewed:</b> 04-May-2022	<b>Bypass:</b>
<b>Shutoffs:</b> (hhhh),rrrr		

---

<b>Type:</b> PVB	<b>Manufacturer:</b> Febco	<b>Model:</b> LF767FR
<b>Size:</b> 1	<b>Orientation:</b> VUH	<b>Meters:</b>
<b>Manual:</b> 9	<b>0.25% Pb:</b> Yes	<b>Spare Parts Only:</b> No
<b>Approved:</b> 04-May-2010	<b>Renewed:</b> 04-May-2022	<b>Bypass:</b>
<b>Shutoffs:</b> (hhhh),rrrr		

---

<b>Type:</b> PVB	<b>Manufacturer:</b> Febco	<b>Model:</b> LF767FR
<b>Size:</b> 1 1/4	<b>Orientation:</b> VUH	<b>Meters:</b>
<b>Manual:</b> 9	<b>0.25% Pb:</b> Yes	<b>Spare Parts Only:</b> No
<b>Approved:</b> 04-May-2010	<b>Renewed:</b> 04-May-2022	<b>Bypass:</b>
<b>Shutoffs:</b> (hhhh),rrrr		

---

<b>Type:</b> PVB	<b>Manufacturer:</b> Febco	<b>Model:</b> LF767FR
<b>Size:</b> 1 1/2	<b>Orientation:</b> VUH	<b>Meters:</b>
<b>Manual:</b> 9	<b>0.25% Pb:</b> Yes	<b>Spare Parts Only:</b> No
<b>Approved:</b> 04-May-2010	<b>Renewed:</b> 04-May-2022	<b>Bypass:</b>
<b>Shutoffs:</b> (hhhh),rrrr		

---

<b>Type:</b> PVB	<b>Manufacturer:</b> Febco	<b>Model:</b> LF767FR
<b>Size:</b> 2	<b>Orientation:</b> VUH	<b>Meters:</b>
<b>Manual:</b> 9	<b>0.25% Pb:</b> Yes	<b>Spare Parts Only:</b> No
<b>Approved:</b> 04-May-2010	<b>Renewed:</b> 04-May-2022	<b>Bypass:</b>
<b>Shutoffs:</b> (hhhh),rrrr		

**Type:** PVB                                      **Manufacturer:** Neptune                                      **Model:**  
**Size:**    **Orientation:**    **Meters:**  
**Manual:**    **0.25% Pb:** No    **Spare Parts Only:** No  
**Approved:**    **Renewed:**    **Bypass:**  
**Notes:** See Wilkins

---

**Type:** PVB                                      **Manufacturer:** Watts                                      **Model:** 800CMQT  
**Size:** 1/2    **Orientation:** VUH    **Meters:**  
**Manual:** 8    **0.25% Pb:** No    **Spare Parts Only:** Yes  
**Approved:** 18-Jul-1989    **Renewed:** 18-Jul-2022    **Bypass:**  
**Shutoffs:** vv,xx,ooo,hhhh,pppp

---

**Type:** PVB                                      **Manufacturer:** Watts                                      **Model:** 800CMQT  
**Size:** 3/4    **Orientation:** VUH    **Meters:**  
**Manual:** 8    **0.25% Pb:** No    **Spare Parts Only:** Yes  
**Approved:** 18-Jul-1989    **Renewed:** 18-Jul-2022    **Bypass:**  
**Shutoffs:** vv,xx,ooo,hhhh,pppp

---

**Type:** PVB                                      **Manufacturer:** Watts                                      **Model:** 800M2QT  
**Size:** 1/2    **Orientation:** VUH    **Meters:**  
**Manual:** 8    **0.25% Pb:** No    **Spare Parts Only:** Yes  
**Approved:** 09-Jul-1991    **Renewed:** 09-Jul-2021    **Bypass:**  
**Shutoffs:** vv,xx,ooo,hhhh,pppp

---

**Type:** PVB                                      **Manufacturer:** Watts                                      **Model:** 800M2QT  
**Size:** 3/4    **Orientation:** VUH    **Meters:**  
**Manual:** 8    **0.25% Pb:** No    **Spare Parts Only:** Yes  
**Approved:** 09-Jul-1991    **Renewed:** 09-Jul-2021    **Bypass:**  
**Shutoffs:** vv,xx,ooo,hhhh,pppp

---

**Type:** PVB                                      **Manufacturer:** Watts                                      **Model:** 800M2QT  
**Size:** 1    **Orientation:** VUH    **Meters:**  
**Manual:** 8    **0.25% Pb:** No    **Spare Parts Only:** Yes  
**Approved:** 09-Jul-1991    **Renewed:** 09-Jul-2021    **Bypass:**  
**Shutoffs:** vv,xx,ooo,hhhh,pppp

---

**Type:** PVB                                      **Manufacturer:** Watts                                      **Model:** 800M2QT  
**Size:** 1 1/4    **Orientation:** VUH    **Meters:**  
**Manual:** 8    **0.25% Pb:** No    **Spare Parts Only:** Yes  
**Approved:** 25-Mar-1993    **Renewed:** 25-Mar-2020    **Bypass:**  
**Shutoffs:** vv,xx,ooo,hhhh,pppp

**Type:** PVB  
**Size:** 1 1/2  
**Manual:** 8  
**Approved:** 25-Mar-1993  
**Shutoffs:** vv,xx,ooo,hhhh,pppp

**Manufacturer:** Watts  
**Orientation:** VUH  
**0.25% Pb:** No  
**Renewed:** 25-Mar-2020

**Model:** 800M2QT  
**Meters:**  
**Spare Parts Only:** Yes  
**Bypass:**

---

**Type:** PVB  
**Size:** 2  
**Manual:** 8  
**Approved:** 25-Mar-1993  
**Shutoffs:** vv,xx,ooo,hhhh,pppp

**Manufacturer:** Watts  
**Orientation:** VUH  
**0.25% Pb:** No  
**Renewed:** 25-Mar-2020

**Model:** 800M2QT  
**Meters:**  
**Spare Parts Only:** Yes  
**Bypass:**

---

**Type:** PVB  
**Size:** 1/2  
**Manual:** 8  
**Approved:** 24-Feb-1992  
**Shutoffs:** vv,xx,ooo,hhhh,pppp

**Manufacturer:** Watts  
**Orientation:** VUH  
**0.25% Pb:** No  
**Renewed:** 24-Feb-2022

**Model:** 800M3QT  
**Meters:**  
**Spare Parts Only:** Yes  
**Bypass:**

---

**Type:** PVB  
**Size:** 3/4  
**Manual:** 8  
**Approved:** 24-Feb-1992  
**Shutoffs:** vv,xx,ooo,hhhh,pppp

**Manufacturer:** Watts  
**Orientation:** VUH  
**0.25% Pb:** No  
**Renewed:** 24-Feb-2022

**Model:** 800M3QT  
**Meters:**  
**Spare Parts Only:** Yes  
**Bypass:**

---

**Type:** PVB  
**Size:** 1/2  
**Manual:** 9  
**Approved:** 12-May-1998  
**Shutoffs:** (vv),xx,ooo,hhhh,pppp,rrrr

**Manufacturer:** Watts  
**Orientation:** VUH  
**0.25% Pb:** No  
**Renewed:** 12-May-2022

**Model:** 800M4FR  
**Meters:**  
**Spare Parts Only:** No  
**Bypass:**

---

**Type:** PVB  
**Size:** 3/4  
**Manual:** 9  
**Approved:** 12-May-1998  
**Shutoffs:** (vv),xx,ooo,hhhh,pppp,rrrr

**Manufacturer:** Watts  
**Orientation:** VUH  
**0.25% Pb:** No  
**Renewed:** 12-May-2022

**Model:** 800M4FR  
**Meters:**  
**Spare Parts Only:** No  
**Bypass:**

---

**Type:** PVB  
**Size:** 1  
**Manual:** 9  
**Approved:** 01-Sep-1995  
**Shutoffs:** (vv),xx,ooo,hhhh,pppp,rrrr

**Manufacturer:** Watts  
**Orientation:** VUH  
**0.25% Pb:** No  
**Renewed:** 01-Sep-2022

**Model:** 800M4FR  
**Meters:**  
**Spare Parts Only:** No  
**Bypass:**

**Type:** PVB  
**Size:** 1 1/4  
**Manual:** 9  
**Approved:** 13-May-1997  
**Shutoffs:** (vv),xx,ooo,hhhh,pppp,rrrr

**Manufacturer:** Watts  
**Orientation:** VUH  
**0.25% Pb:** No  
**Renewed:** 13-May-2021

**Model:** 800M4FR  
**Meters:**  
**Spare Parts Only:** No  
**Bypass:**

---

**Type:** PVB  
**Size:** 1 1/2  
**Manual:** 9  
**Approved:** 13-May-1997  
**Shutoffs:** (vv),xx,ooo,hhhh,pppp,rrrr

**Manufacturer:** Watts  
**Orientation:** VUH  
**0.25% Pb:** No  
**Renewed:** 13-May-2021

**Model:** 800M4FR  
**Meters:**  
**Spare Parts Only:** No  
**Bypass:**

---

**Type:** PVB  
**Size:** 2  
**Manual:** 9  
**Approved:** 13-May-1997  
**Shutoffs:** (vv),xx,ooo,hhhh,pppp,rrrr

**Manufacturer:** Watts  
**Orientation:** VUH  
**0.25% Pb:** No  
**Renewed:** 13-May-2021

**Model:** 800M4FR  
**Meters:**  
**Spare Parts Only:** No  
**Bypass:**

---

**Type:** PVB  
**Size:** 1/2  
**Manual:** 8  
**Approved:** 06-Sep-1993  
**Shutoffs:** (vv),xx,ooo,hhhh,pppp,rrrr

**Manufacturer:** Watts  
**Orientation:** VUH  
**0.25% Pb:** No  
**Renewed:** 06-Sep-2020

**Model:** 800M4QT  
**Meters:**  
**Spare Parts Only:** No  
**Bypass:**

---

**Type:** PVB  
**Size:** 3/4  
**Manual:** 8  
**Approved:** 06-Apr-1993  
**Shutoffs:** (vv),xx,ooo,hhhh,pppp,rrrr

**Manufacturer:** Watts  
**Orientation:** VUH  
**0.25% Pb:** No  
**Renewed:** 06-Apr-2020

**Model:** 800M4QT  
**Meters:**  
**Spare Parts Only:** No  
**Bypass:**

---

**Type:** PVB  
**Size:** 1  
**Manual:** 8  
**Approved:** 25-May-1993  
**Shutoffs:** (vv),xx,ooo,hhhh,pppp,rrrr

**Manufacturer:** Watts  
**Orientation:** VUH  
**0.25% Pb:** No  
**Renewed:** 25-May-2020

**Model:** 800M4QT  
**Meters:**  
**Spare Parts Only:** No  
**Bypass:**

---

**Type:** PVB  
**Size:** 1 1/4  
**Manual:** 8  
**Approved:** 24-May-1994  
**Shutoffs:** (vv),xx,ooo,hhhh,pppp,rrrr

**Manufacturer:** Watts  
**Orientation:** VUH  
**0.25% Pb:** No  
**Renewed:** 24-May-2021

**Model:** 800M4QT  
**Meters:**  
**Spare Parts Only:** No  
**Bypass:**

**Type:** PVB  
**Size:** 1 1/2  
**Manual:** 8  
**Approved:** 21-Jun-1993  
**Shutoffs:** (vv),xx,ooo,hhhh,pppp,rrrr

**Manufacturer:** Watts  
**Orientation:** VUH  
**0.25% Pb:** No  
**Renewed:** 21-Jun-2020

**Model:** 800M4QT  
**Meters:**  
**Spare Parts Only:** No  
**Bypass:**

---

**Type:** PVB  
**Size:** 2  
**Manual:** 8  
**Approved:** 21-Jun-1993  
**Shutoffs:** (vv),xx,ooo,hhhh,pppp,rrrr

**Manufacturer:** Watts  
**Orientation:** VUH  
**0.25% Pb:** No  
**Renewed:** 21-Jun-2020

**Model:** 800M4QT  
**Meters:**  
**Spare Parts Only:** No  
**Bypass:**

---

**Type:** PVB  
**Size:** 1/2  
**Manual:** 8  
**Approved:** 18-Jul-1989  
**Shutoffs:** vv,xx,ooo,hhhh,pppp

**Manufacturer:** Watts  
**Orientation:** VUH  
**0.25% Pb:** No  
**Renewed:** 18-Jul-2022

**Model:** 800MQT  
**Meters:**  
**Spare Parts Only:** Yes  
**Bypass:**

---

**Type:** PVB  
**Size:** 3/4  
**Manual:** 8  
**Approved:** 18-Jul-1989  
**Shutoffs:** vv,xx,ooo,hhhh,pppp

**Manufacturer:** Watts  
**Orientation:** VUH  
**0.25% Pb:** No  
**Renewed:** 18-Jul-2022

**Model:** 800MQT  
**Meters:**  
**Spare Parts Only:** Yes  
**Bypass:**

---

**Type:** PVB  
**Size:** 3/4  
**Manual:** 5  
**Approved:** 14-Feb-1978  
**Shutoffs:** vv,xx,ooo,hhhh,pppp

**Manufacturer:** Watts  
**Orientation:** VUH  
**0.25% Pb:** No  
**Renewed:** 14-Feb-2020

**Model:** 800QT  
**Meters:**  
**Spare Parts Only:** Yes  
**Bypass:**

---

**Type:** PVB  
**Size:** 1  
**Manual:** 5  
**Approved:** 14-Feb-1978  
**Shutoffs:** vv,xx,ooo,hhhh,pppp

**Manufacturer:** Watts  
**Orientation:** VUH  
**0.25% Pb:** No  
**Renewed:** 14-Feb-2020

**Model:** 800QT  
**Meters:**  
**Spare Parts Only:** Yes  
**Bypass:**

---

**Type:** PVB  
**Size:** 1 1/4  
**Manual:** 5  
**Approved:** 14-Feb-1978  
**Shutoffs:** vv,xx,ooo,hhhh,pppp

**Manufacturer:** Watts  
**Orientation:** VUH  
**0.25% Pb:** No  
**Renewed:** 14-Feb-2020

**Model:** 800QT  
**Meters:**  
**Spare Parts Only:** Yes  
**Bypass:**



**Type:** PVB  
**Size:** 1 1/2  
**Manual:** 5  
**Approved:** 14-Feb-1978  
**Shutoffs:** vv,xx,ooo,hhhh,pppp

**Manufacturer:** Watts  
**Orientation:** VUH  
**0.25% Pb:** No  
**Renewed:** 14-Feb-2020

**Model:** 800QT  
**Meters:**  
**Spare Parts Only:** Yes  
**Bypass:**

---

**Type:** PVB  
**Size:** 2  
**Manual:** 5  
**Approved:** 14-Feb-1978  
**Shutoffs:** vv,xx,ooo,hhhh,pppp

**Manufacturer:** Watts  
**Orientation:** VUH  
**0.25% Pb:** No  
**Renewed:** 14-Feb-2020

**Model:** 800QT  
**Meters:**  
**Spare Parts Only:** Yes  
**Bypass:**

---

**Type:** PVB  
**Size:** 1/2  
**Manual:** 9  
**Approved:** 12-Jan-2010  
**Shutoffs:** (hhhh),rrrr

**Manufacturer:** Watts  
**Orientation:** VUH  
**0.25% Pb:** Yes  
**Renewed:** 12-Jan-2022

**Model:** LF800M4FR  
**Meters:**  
**Spare Parts Only:** No  
**Bypass:**

---

**Type:** PVB  
**Size:** 3/4  
**Manual:** 9  
**Approved:** 12-Jan-2010  
**Shutoffs:** (hhhh),rrrr

**Manufacturer:** Watts  
**Orientation:** VUH  
**0.25% Pb:** Yes  
**Renewed:** 12-Jan-2022

**Model:** LF800M4FR  
**Meters:**  
**Spare Parts Only:** No  
**Bypass:**

---

**Type:** PVB  
**Size:** 1  
**Manual:** 9  
**Approved:** 05-Dec-2014  
**Shutoffs:** (hhhh),rrrr

**Manufacturer:** Watts  
**Orientation:** VUH  
**0.25% Pb:** Yes  
**Renewed:** 05-Dec-2020

**Model:** LF800M4FR  
**Meters:**  
**Spare Parts Only:** No  
**Bypass:**

---

**Type:** PVB  
**Size:** 1 1/4  
**Manual:** 9  
**Approved:** 12-Jan-2010  
**Shutoffs:** (hhhh),rrrr

**Manufacturer:** Watts  
**Orientation:** VUH  
**0.25% Pb:** Yes  
**Renewed:** 12-Jan-2022

**Model:** LF800M4FR  
**Meters:**  
**Spare Parts Only:** No  
**Bypass:**

---

**Type:** PVB  
**Size:** 1 1/2  
**Manual:** 9  
**Approved:** 12-Jan-2010  
**Shutoffs:** (hhhh),rrrr

**Manufacturer:** Watts  
**Orientation:** VUH  
**0.25% Pb:** Yes  
**Renewed:** 12-Jan-2022

**Model:** LF800M4FR  
**Meters:**  
**Spare Parts Only:** No  
**Bypass:**

<b>Type:</b> PVB	<b>Manufacturer:</b> Watts	<b>Model:</b> LF800M4FR
<b>Size:</b> 2	<b>Orientation:</b> VUH	<b>Meters:</b>
<b>Manual:</b> 9	<b>0.25% Pb:</b> Yes	<b>Spare Parts Only:</b> No
<b>Approved:</b> 12-Jan-2010	<b>Renewed:</b> 12-Jan-2022	<b>Bypass:</b>
<b>Shutoffs:</b> (hhhh),rrrr		

---

<b>Type:</b> PVB	<b>Manufacturer:</b> Watts	<b>Model:</b> LF800M4QT
<b>Size:</b> 1/2	<b>Orientation:</b> VUH	<b>Meters:</b>
<b>Manual:</b> 9	<b>0.25% Pb:</b> Yes	<b>Spare Parts Only:</b> No
<b>Approved:</b> 12-Jan-2010	<b>Renewed:</b> 12-Jan-2022	<b>Bypass:</b>
<b>Shutoffs:</b> (hhhh),rrrr		

---

<b>Type:</b> PVB	<b>Manufacturer:</b> Watts	<b>Model:</b> LF800M4QT
<b>Size:</b> 3/4	<b>Orientation:</b> VUH	<b>Meters:</b>
<b>Manual:</b> 9	<b>0.25% Pb:</b> Yes	<b>Spare Parts Only:</b> No
<b>Approved:</b> 12-Jan-2010	<b>Renewed:</b> 12-Jan-2022	<b>Bypass:</b>
<b>Shutoffs:</b> (hhhh),rrrr		

---

<b>Type:</b> PVB	<b>Manufacturer:</b> Watts	<b>Model:</b> LF800M4QT
<b>Size:</b> 1	<b>Orientation:</b> VUH	<b>Meters:</b>
<b>Manual:</b> 9	<b>0.25% Pb:</b> Yes	<b>Spare Parts Only:</b> No
<b>Approved:</b> 05-Dec-2014	<b>Renewed:</b> 05-Dec-2020	<b>Bypass:</b>
<b>Shutoffs:</b> (hhhh),rrrr		

---

<b>Type:</b> PVB	<b>Manufacturer:</b> Watts	<b>Model:</b> LF800M4QT
<b>Size:</b> 1 1/4	<b>Orientation:</b> VUH	<b>Meters:</b>
<b>Manual:</b> 9	<b>0.25% Pb:</b> Yes	<b>Spare Parts Only:</b> No
<b>Approved:</b> 12-Jan-2010	<b>Renewed:</b> 12-Jan-2022	<b>Bypass:</b>
<b>Shutoffs:</b> (hhhh),rrrr		

---

<b>Type:</b> PVB	<b>Manufacturer:</b> Watts	<b>Model:</b> LF800M4QT
<b>Size:</b> 1 1/2	<b>Orientation:</b> VUH	<b>Meters:</b>
<b>Manual:</b> 9	<b>0.25% Pb:</b> Yes	<b>Spare Parts Only:</b> No
<b>Approved:</b> 12-Jan-2010	<b>Renewed:</b> 12-Jan-2022	<b>Bypass:</b>
<b>Shutoffs:</b> (hhhh),rrrr		

---

<b>Type:</b> PVB	<b>Manufacturer:</b> Watts	<b>Model:</b> LF800M4QT
<b>Size:</b> 2	<b>Orientation:</b> VUH	<b>Meters:</b>
<b>Manual:</b> 9	<b>0.25% Pb:</b> Yes	<b>Spare Parts Only:</b> No
<b>Approved:</b> 12-Jan-2010	<b>Renewed:</b> 12-Jan-2022	<b>Bypass:</b>
<b>Shutoffs:</b> (hhhh),rrrr		

**Type:** PVB                      **Manufacturer:** Wilkins                      **Model:** 420  
**Size:** 1/2                      **Orientation:** VUH                      **Meters:**  
**Manual:** 9                      **0.25% Pb:** No                      **Spare Parts Only:** No  
**Approved:** 17-Jul-1999                      **Renewed:** 17-Jul-2020                      **Bypass:**  
**Shutoffs:** (ii),000

---

**Type:** PVB                      **Manufacturer:** Wilkins                      **Model:** 420  
**Size:** 3/4                      **Orientation:** VUH                      **Meters:**  
**Manual:** 9                      **0.25% Pb:** No                      **Spare Parts Only:** No  
**Approved:** 17-Jul-1999                      **Renewed:** 17-Jul-2020                      **Bypass:**  
**Shutoffs:** (ii),000

---

**Type:** PVB                      **Manufacturer:** Wilkins                      **Model:** 420  
**Size:** 1                      **Orientation:** VUH                      **Meters:**  
**Manual:** 9                      **0.25% Pb:** No                      **Spare Parts Only:** No  
**Approved:** 29-Sep-2000                      **Renewed:** 29-Sep-2021                      **Bypass:**  
**Shutoffs:** (ii),000

---

**Type:** PVB                      **Manufacturer:** Wilkins                      **Model:** 420XL  
**Size:** 1/2                      **Orientation:** VUH                      **Meters:**  
**Manual:** 9                      **0.25% Pb:** Yes                      **Spare Parts Only:** No  
**Approved:** 21-Mar-2011                      **Renewed:** 21-Mar-2020                      **Bypass:**  
**Shutoffs:** (iii)  
**Notes:** Testcocks: Female Threaded End or 45 degree male SAE flare

---

**Type:** PVB                      **Manufacturer:** Wilkins                      **Model:** 420XL  
**Size:** 3/4                      **Orientation:** VUH                      **Meters:**  
**Manual:** 9                      **0.25% Pb:** Yes                      **Spare Parts Only:** No  
**Approved:** 21-Mar-2011                      **Renewed:** 21-Mar-2020                      **Bypass:**  
**Shutoffs:** (iii)  
**Notes:** Testcocks: Female Threaded End or 45 degree male SAE flare

---

**Type:** PVB                      **Manufacturer:** Wilkins                      **Model:** 420XL  
**Size:** 1                      **Orientation:** VUH                      **Meters:**  
**Manual:** 9                      **0.25% Pb:** Yes                      **Spare Parts Only:** Yes  
**Approved:** 03-Aug-2011                      **Renewed:** 03-Aug-2020                      **Bypass:**  
**Shutoffs:** (iii)  
**Notes:** Testcocks: Female Threaded End or 45 degree male SAE flare

**Type:** PVB                                      **Manufacturer:** Wilkins                                      **Model:** 710  
**Size:** 3/4                                      **Orientation:** VUH                                      **Meters:**  
**Manual:** 10                                      **0.25% Pb:** No                                      **Spare Parts Only:** No  
**Approved:** 16-Jan-2020                                      **Renewed:**                                      **Bypass:**  
**Shutoffs:** (ooo)  
**Notes:** Testcocks: Female Threaded End or 45 degree male SAE flare

---

**Type:** PVB                                      **Manufacturer:** Wilkins                                      **Model:** 710  
**Size:** 1                                      **Orientation:** VUH                                      **Meters:**  
**Manual:** 10                                      **0.25% Pb:** No                                      **Spare Parts Only:** No  
**Approved:** 16-Jan-2020                                      **Renewed:**                                      **Bypass:**  
**Shutoffs:** (ooo)  
**Notes:** Testcocks: Female Threaded End or 45 degree male SAE flare

---

**Type:** PVB                                      **Manufacturer:** Wilkins                                      **Model:** 720A  
**Size:** 1/2                                      **Orientation:** VUH                                      **Meters:**  
**Manual:** 5                                      **0.25% Pb:** No                                      **Spare Parts Only:** No  
**Approved:** 28-Aug-1978                                      **Renewed:** 28-Aug-2020                                      **Bypass:**  
**Shutoffs:** (ii),ooo  
**Notes:** Beginning with Serial No. T00001 the test cocks were moved from the body to the shutoff valves. Testcocks:  
Female Threaded End or 45 degree male SAE flare.

---

**Type:** PVB                                      **Manufacturer:** Wilkins                                      **Model:** 720A  
**Size:** 3/4                                      **Orientation:** VUH                                      **Meters:**  
**Manual:** 5                                      **0.25% Pb:** No                                      **Spare Parts Only:** No  
**Approved:** 28-Aug-1978                                      **Renewed:** 28-Aug-2020                                      **Bypass:**  
**Shutoffs:** (ii),ooo  
**Notes:** Beginning with Serial No. T00001 the test cocks were moved from the body to the shutoff valves. Testcocks:  
Female Threaded End or 45 degree male SAE flare.

---

**Type:** PVB                                      **Manufacturer:** Wilkins                                      **Model:** 720A  
**Size:** 1                                      **Orientation:** VUH                                      **Meters:**  
**Manual:** 5                                      **0.25% Pb:** No                                      **Spare Parts Only:** No  
**Approved:** 28-Aug-1978                                      **Renewed:** 28-Aug-2020                                      **Bypass:**  
**Shutoffs:** (ii),ooo  
**Notes:** Beginning with Serial No. T00001 the test cocks were moved from the body to the shutoff valves. Testcocks:  
Female Threaded End or 45 degree male SAE flare.

**Type:** PVB **Manufacturer:** Wilkins **Model:** 720A  
**Size:** 1 1/4 **Orientation:** VUH **Meters:**  
**Manual:** 5 **0.25% Pb:** No **Spare Parts Only:** No  
**Approved:** 28-Aug-1978 **Renewed:** 28-Aug-2020 **Bypass:**  
**Shutoffs:** (ii),000  
**Notes:** Beginning with Serial No. T00001 the test cocks were moved from the body to the shutoff valves.

---

**Type:** PVB **Manufacturer:** Wilkins **Model:** 720A  
**Size:** 1 1/2 **Orientation:** VUH **Meters:**  
**Manual:** 5 **0.25% Pb:** No **Spare Parts Only:** No  
**Approved:** 28-Aug-1978 **Renewed:** 28-Aug-2020 **Bypass:**  
**Shutoffs:** (ii),000  
**Notes:** Beginning with Serial No. T00001 the test cocks were moved from the body to the shutoff valves.

---

**Type:** PVB **Manufacturer:** Wilkins **Model:** 720A  
**Size:** 2 **Orientation:** VUH **Meters:**  
**Manual:** 5 **0.25% Pb:** No **Spare Parts Only:** No  
**Approved:** 28-Aug-1978 **Renewed:** 28-Aug-2020 **Bypass:**  
**Shutoffs:** (ii),000  
**Notes:** Beginning with Serial No. T00001 the test cocks were moved from the body to the shutoff valves.

---

**Type:** RP **Manufacturer:** Ames **Model:** 4000B  
**Size:** 1/2 **Orientation:** H **Meters:**  
**Manual:** 9 **0.25% Pb:** No **Spare Parts Only:** No  
**Approved:** 10-Sep-1996 **Renewed:** 10-Sep-2020 **Bypass:**  
**Shutoffs:** (vv),xx,000,hhhh,pppp,rrrr  
**Notes:** Previously Approved 8th Ed. (26 May 1993)

---

**Type:** RP **Manufacturer:** Ames **Model:** 4000B  
**Size:** 3/4 **Orientation:** H **Meters:**  
**Manual:** 8 **0.25% Pb:** No **Spare Parts Only:** No  
**Approved:** 31-Oct-1992 **Renewed:** 31-Oct-2019 **Bypass:**  
**Shutoffs:** (vv),xx,000,hhhh,pppp,rrrr

---

**Type:** RP **Manufacturer:** Ames **Model:** 4000B  
**Size:** 1 **Orientation:** H **Meters:**  
**Manual:** 7 **0.25% Pb:** No **Spare Parts Only:** No  
**Approved:** 11-Jan-1988 **Renewed:** 11-Jan-2021 **Bypass:**  
**Shutoffs:** (vv),xx,000,hhhh,pppp,rrrr

**Type:** RP  
**Size:** 1 1/4  
**Manual:** 8  
**Approved:** 24-Aug-1993  
**Shutoffs:** (vv),xx,ooo,hhhh,pppp,rrrr

**Manufacturer:** Ames  
**Orientation:** H  
**0.25% Pb:** No  
**Renewed:** 24-Aug-2020

**Model:** 4000B  
**Meters:**  
**Spare Parts Only:** No  
**Bypass:**

---

**Type:** RP  
**Size:** 1 1/2  
**Manual:** 8  
**Approved:** 24-Aug-1993  
**Shutoffs:** (vv),xx,ooo,hhhh,pppp,rrrr

**Manufacturer:** Ames  
**Orientation:** H  
**0.25% Pb:** No  
**Renewed:** 24-Aug-2020

**Model:** 4000B  
**Meters:**  
**Spare Parts Only:** No  
**Bypass:**

---

**Type:** RP  
**Size:** 2  
**Manual:** 9  
**Approved:** 10-Sep-1996  
**Shutoffs:** (vv),xx,ooo,hhhh,pppp,rrrr

**Manufacturer:** Ames  
**Orientation:** H  
**0.25% Pb:** No  
**Renewed:** 10-Sep-2020

**Model:** 4000B  
**Meters:**  
**Spare Parts Only:** No  
**Bypass:**

---

**Type:** RP  
**Size:** 3/4  
**Manual:** 9  
**Approved:** 01-Sep-2009  
**Shutoffs:** (eeee)

**Manufacturer:** Ames  
**Orientation:** H  
**0.25% Pb:** No  
**Renewed:** 01-Sep-2021

**Model:** 4000B-FP  
**Meters:**  
**Spare Parts Only:** Yes  
**Bypass:**

---

**Type:** RP  
**Size:** 1  
**Manual:** 9  
**Approved:** 01-Sep-2009  
**Shutoffs:** (eeee)

**Manufacturer:** Ames  
**Orientation:** H  
**0.25% Pb:** No  
**Renewed:** 01-Sep-2021

**Model:** 4000B-FP  
**Meters:**  
**Spare Parts Only:** Yes  
**Bypass:**

---

**Type:** RP  
**Size:** 1 1/4  
**Manual:** 9  
**Approved:** 01-Sep-2009  
**Shutoffs:** (eeee)

**Manufacturer:** Ames  
**Orientation:** H  
**0.25% Pb:** No  
**Renewed:** 01-Sep-2021

**Model:** 4000B-FP  
**Meters:**  
**Spare Parts Only:** No  
**Bypass:**

**Notes:** Model Designation Changed to 4000BM2-FP

**Type:** RP                                    **Manufacturer:** Ames                                    **Model:** 4000B-FP  
**Size:** 1 1/2                                    **Orientation:** H                                    **Meters:**  
**Manual:** 9                                    **0.25% Pb:** No                                    **Spare Parts Only:** No  
**Approved:** 01-Sep-2009                                    **Renewed:** 01-Sep-2021                                    **Bypass:**  
**Shutoffs:** (eeeeee)  
**Notes:** Model Designation Changed to 4000BM2-FP

---

**Type:** RP                                    **Manufacturer:** Ames                                    **Model:** 4000B-FP  
**Size:** 2                                    **Orientation:** H                                    **Meters:**  
**Manual:** 9                                    **0.25% Pb:** No                                    **Spare Parts Only:** No  
**Approved:** 01-Sep-2009                                    **Renewed:** 01-Sep-2021                                    **Bypass:**  
**Shutoffs:** (eeeeee)  
**Notes:** Model Designation Changed to 4000BM2-FP

---

**Type:** RP                                    **Manufacturer:** Ames                                    **Model:** 4000BM2  
**Size:** 1                                    **Orientation:** H                                    **Meters:**  
**Manual:** 9                                    **0.25% Pb:** No                                    **Spare Parts Only:** No  
**Approved:** 18-May-1998                                    **Renewed:** 18-May-2022                                    **Bypass:**  
**Shutoffs:** (vv),xx,ooo,hhhh,pppp,rrrr

---

**Type:** RP                                    **Manufacturer:** Ames                                    **Model:** 4000BM2-FP  
**Size:** 1                                    **Orientation:** H                                    **Meters:**  
**Manual:** 9                                    **0.25% Pb:** No                                    **Spare Parts Only:** No  
**Approved:** 01-Sep-2009                                    **Renewed:** 01-Sep-2021                                    **Bypass:**  
**Shutoffs:** (eeeeee),uuuuuu

---

**Type:** RP                                    **Manufacturer:** Ames                                    **Model:** 4000BM2-FP  
**Size:** 1 1/4                                    **Orientation:** H                                    **Meters:**  
**Manual:** 9                                    **0.25% Pb:** No                                    **Spare Parts Only:** No  
**Approved:** 15-Mar-2018                                    **Renewed:** 15-Mar-2021                                    **Bypass:**  
**Shutoffs:** (eeeeee),uuuuuu  
**Notes:** formerly Mod 4000B-FP

---

**Type:** RP                                    **Manufacturer:** Ames                                    **Model:** 4000BM2-FP  
**Size:** 1 1/2                                    **Orientation:** H                                    **Meters:**  
**Manual:** 9                                    **0.25% Pb:** No                                    **Spare Parts Only:** No  
**Approved:** 15-Mar-2018                                    **Renewed:** 15-Mar-2021                                    **Bypass:**  
**Shutoffs:** (eeeeee),uuuuuu  
**Notes:** formerly Mod 4000B-FP

**Type:** RP                                 **Manufacturer:** Ames                                 **Model:** 4000BM2-FP  
**Size:** 2                                 **Orientation:** H                                 **Meters:**  
**Manual:** 9                                 **0.25% Pb:** No                                 **Spare Parts Only:** No  
**Approved:** 15-Mar-2018                                 **Renewed:** 15-Mar-2021                                 **Bypass:**  
**Shutoffs:** (eeeeee),uuuuuu  
**Notes:** formerly Mod 4000B-FP

---

**Type:** RP                                 **Manufacturer:** Ames                                 **Model:** 4000BM3  
**Size:** 3/4                                 **Orientation:** H                                 **Meters:**  
**Manual:** 9                                 **0.25% Pb:** No                                 **Spare Parts Only:** No  
**Approved:** 27-Mar-2000                                 **Renewed:** 27-Mar-2021                                 **Bypass:**  
**Shutoffs:** (vv),xx,ooo,hhhh,pppp,rrrrr

---

**Type:** RP                                 **Manufacturer:** Ames                                 **Model:** 4000BM3-FP  
**Size:** 3/4                                 **Orientation:** H                                 **Meters:**  
**Manual:** 9                                 **0.25% Pb:** No                                 **Spare Parts Only:** Yes  
**Approved:** 01-Sep-2009                                 **Renewed:** 01-Sep-2021                                 **Bypass:**  
**Shutoffs:** (eeeeee)

---

**Type:** RP                                 **Manufacturer:** Ames                                 **Model:** 4000CIV  
**Size:** 2 1/2                                 **Orientation:** H                                 **Meters:**  
**Manual:** 7                                 **0.25% Pb:** No                                 **Spare Parts Only:** Yes  
**Approved:** 07-Jul-2000                                 **Renewed:** 07-Jul-2021                                 **Bypass:**  
**Shutoffs:** (oo),gg,hh,ll,mm,pp,tt,uu

---

**Type:** RP                                 **Manufacturer:** Ames                                 **Model:** 4000CIV  
**Size:** 3                                 **Orientation:** H                                 **Meters:**  
**Manual:** 7                                 **0.25% Pb:** No                                 **Spare Parts Only:** Yes  
**Approved:** 07-Jul-2000                                 **Renewed:** 07-Jul-2021                                 **Bypass:**  
**Shutoffs:** (oo),gg,hh,ll,mm,pp,tt,uu

---

**Type:** RP                                 **Manufacturer:** Ames                                 **Model:** 4000CIV  
**Size:** 4                                 **Orientation:** H                                 **Meters:**  
**Manual:** 6                                 **0.25% Pb:** No                                 **Spare Parts Only:** Yes  
**Approved:** 19-Jun-2000                                 **Renewed:** 19-Jun-2021                                 **Bypass:**  
**Shutoffs:** (oo),gg,hh,ll,mm,pp,tt,uu,eee



**Type:** RP                                   **Manufacturer:** Ames                                   **Model:** 4000CIV  
**Size:** 6                                   **Orientation:** H                                   **Meters:**  
**Manual:** 6                                   **0.25% Pb:** No                                   **Spare Parts Only:** Yes  
**Approved:** 19-Jun-2000                                   **Renewed:** 19-Jun-2021                                   **Bypass:**  
**Shutoffs:** (oo),gg,hh,ll,mm,pp,tt,uu,eee

---

**Type:** RP                                   **Manufacturer:** Ames                                   **Model:** 4000CIV  
**Size:** 8                                   **Orientation:** H                                   **Meters:**  
**Manual:** 8                                   **0.25% Pb:** No                                   **Spare Parts Only:** Yes  
**Approved:** 19-Jun-2000                                   **Renewed:** 19-Jun-2021                                   **Bypass:**  
**Shutoffs:** (oo),gg,hh,ll,mm,pp,tt,uu

---

**Type:** RP                                   **Manufacturer:** Ames                                   **Model:** 4000CIV  
**Size:** 10                                   **Orientation:** H                                   **Meters:**  
**Manual:** 8                                   **0.25% Pb:** No                                   **Spare Parts Only:** Yes  
**Approved:** 19-Jun-2000                                   **Renewed:** 19-Jun-2021                                   **Bypass:**  
**Shutoffs:** (oo),gg,hh,ll,mm,pp,tt,uu

---

**Type:** RP                                   **Manufacturer:** Ames                                   **Model:** 4000RP  
**Size:** 4                                   **Orientation:** H                                   **Meters:**  
**Manual:** 7                                   **0.25% Pb:** No                                   **Spare Parts Only:** Yes  
**Approved:** 13-Oct-1987                                   **Renewed:** 13-Oct-2020                                   **Bypass:**  
**Shutoffs:** (tt),ee,ff,gg,hh,ll,mm,oo,pp,uu,ccc,ddd,ffff,gggg  
**Notes:** formerly Model RP

---

**Type:** RP                                   **Manufacturer:** Ames                                   **Model:** 4000RP  
**Size:** 6                                   **Orientation:** H                                   **Meters:**  
**Manual:** 7                                   **0.25% Pb:** No                                   **Spare Parts Only:** Yes  
**Approved:** 13-Oct-1987                                   **Renewed:** 13-Oct-2020                                   **Bypass:**  
**Shutoffs:** (tt),ee,ff,gg,hh,ll,mm,oo,pp,uu,ccc,ddd,ffff,gggg  
**Notes:** formerly Model RP

---

**Type:** RP                                   **Manufacturer:** Ames                                   **Model:** 4000RP  
**Size:** 8                                   **Orientation:** H                                   **Meters:**  
**Manual:** 7                                   **0.25% Pb:** No                                   **Spare Parts Only:** Yes  
**Approved:** 13-Oct-1987                                   **Renewed:** 13-Oct-2020                                   **Bypass:**  
**Shutoffs:** (tt),ee,ff,gg,hh,ll,mm,oo,pp,uu,ccc,ddd,ffff,gggg  
**Notes:** formerly Model RP

**Type:** RP                                    **Manufacturer:** Ames                                    **Model:** 4000RP  
**Size:** 10                                    **Orientation:** H                                    **Meters:**  
**Manual:** 7                                    **0.25% Pb:** No                                    **Spare Parts Only:** Yes  
**Approved:** 13-Oct-1987                                    **Renewed:** 13-Oct-2020                                    **Bypass:**  
**Shutoffs:** (tt),ee,ff,gg,hh,ll,mm,oo,pp,uu,ccc,ddd,ffff,gggg  
**Notes:** formerly Model RP

---

**Type:** RP                                    **Manufacturer:** Ames                                    **Model:** 4000SS  
**Size:** 2 1/2                                    **Orientation:** H                                    **Meters:**  
**Manual:** 8                                    **0.25% Pb:** No                                    **Spare Parts Only:** No  
**Approved:** 15-Apr-1994                                    **Renewed:** 15-Apr-2021                                    **Bypass:**  
**Shutoffs:** (tt),ee,ff,gg,hh,pp,uu,ccc,ddd

---

**Type:** RP                                    **Manufacturer:** Ames                                    **Model:** 4000SS  
**Size:** 2 1/2                                    **Orientation:** H                                    **Meters:**  
**Manual:** 8                                    **0.25% Pb:** Yes                                    **Spare Parts Only:** No  
**Approved:** 15-Apr-1994                                    **Renewed:** 15-Apr-2021                                    **Bypass:**  
**Shutoffs:** ll,mm,oo,ffff,gggg

---

**Type:** RP                                    **Manufacturer:** Ames                                    **Model:** 4000SS  
**Size:** 3                                    **Orientation:** H                                    **Meters:**  
**Manual:** 8                                    **0.25% Pb:** No                                    **Spare Parts Only:** No  
**Approved:** 15-Apr-1994                                    **Renewed:** 15-Apr-2021                                    **Bypass:**  
**Shutoffs:** (tt),ee,ff,gg,hh,pp,uu,ccc,ddd

---

**Type:** RP                                    **Manufacturer:** Ames                                    **Model:** 4000SS  
**Size:** 3                                    **Orientation:** H                                    **Meters:**  
**Manual:** 8                                    **0.25% Pb:** Yes                                    **Spare Parts Only:** No  
**Approved:** 15-Apr-1994                                    **Renewed:** 15-Apr-2021                                    **Bypass:**  
**Shutoffs:** ll,mm,oo,ffff,gggg

---

**Type:** RP                                    **Manufacturer:** Ames                                    **Model:** 4000SS  
**Size:** 4                                    **Orientation:** H                                    **Meters:**  
**Manual:** 8                                    **0.25% Pb:** No                                    **Spare Parts Only:** No  
**Approved:** 15-Apr-1994                                    **Renewed:** 15-Apr-2021                                    **Bypass:**  
**Shutoffs:** (tt),ee,ff,gg,hh,pp,uu,ccc,ddd

<b>Type:</b> RP	<b>Manufacturer:</b> Ames	<b>Model:</b> 4000SS
<b>Size:</b> 4	<b>Orientation:</b> H	<b>Meters:</b>
<b>Manual:</b> 8	<b>0.25% Pb:</b> Yes	<b>Spare Parts Only:</b> No
<b>Approved:</b> 15-Apr-1994	<b>Renewed:</b> 15-Apr-2021	<b>Bypass:</b>
<b>Shutoffs:</b> ll,mm,oo,ffff,gggg		

---

<b>Type:</b> RP	<b>Manufacturer:</b> Ames	<b>Model:</b> 4000SS
<b>Size:</b> 6	<b>Orientation:</b> H	<b>Meters:</b>
<b>Manual:</b> 8	<b>0.25% Pb:</b> No	<b>Spare Parts Only:</b> No
<b>Approved:</b> 22-Sep-1997	<b>Renewed:</b> 22-Sep-2021	<b>Bypass:</b>
<b>Shutoffs:</b> (tt),ee,ff,gg,hh,pp,uu,ccc,ddd		

---

<b>Type:</b> RP	<b>Manufacturer:</b> Ames	<b>Model:</b> 4000SS
<b>Size:</b> 6	<b>Orientation:</b> H	<b>Meters:</b>
<b>Manual:</b> 8	<b>0.25% Pb:</b> Yes	<b>Spare Parts Only:</b> No
<b>Approved:</b> 22-Sep-1997	<b>Renewed:</b> 22-Sep-2021	<b>Bypass:</b>
<b>Shutoffs:</b> ll,mm,oo,ffff,gggg		

---

<b>Type:</b> RP	<b>Manufacturer:</b> Ames	<b>Model:</b> 400B
<b>Size:</b> 3/4	<b>Orientation:</b> H	<b>Meters:</b>
<b>Manual:</b> 9	<b>0.25% Pb:</b> No	<b>Spare Parts Only:</b> Yes
<b>Approved:</b> 20-Jun-2006	<b>Renewed:</b> 20-Jun-2021	<b>Bypass:</b>
<b>Shutoffs:</b> (vv),xx,ooo,hhhh,pppp,rrrr		

---

<b>Type:</b> RP	<b>Manufacturer:</b> Ames	<b>Model:</b> 400B
<b>Size:</b> 3/4	<b>Orientation:</b> VD	<b>Meters:</b>
<b>Manual:</b> 9	<b>0.25% Pb:</b> No	<b>Spare Parts Only:</b> Yes
<b>Approved:</b> 30-Aug-2006	<b>Renewed:</b> 30-Aug-2021	<b>Bypass:</b>
<b>Shutoffs:</b> (vv),xx,ooo,hhhh,pppp,rrrr		

---

<b>Type:</b> RP	<b>Manufacturer:</b> Ames	<b>Model:</b> 400B
<b>Size:</b> 1	<b>Orientation:</b> H	<b>Meters:</b>
<b>Manual:</b> 9	<b>0.25% Pb:</b> No	<b>Spare Parts Only:</b> Yes
<b>Approved:</b> 20-Jun-2006	<b>Renewed:</b> 20-Jun-2021	<b>Bypass:</b>
<b>Shutoffs:</b> (vv),xx,ooo,hhhh,pppp,rrrr		

---

<b>Type:</b> RP	<b>Manufacturer:</b> Ames	<b>Model:</b> 400B
<b>Size:</b> 1	<b>Orientation:</b> VD	<b>Meters:</b>
<b>Manual:</b> 9	<b>0.25% Pb:</b> No	<b>Spare Parts Only:</b> Yes
<b>Approved:</b> 30-Aug-2006	<b>Renewed:</b> 30-Aug-2021	<b>Bypass:</b>
<b>Shutoffs:</b> (vv),xx,ooo,hhhh,pppp,rrrr		

**Type:** RP  
**Size:** 1 1/4  
**Manual:** 9  
**Approved:** 20-Jun-2006  
**Shutoffs:** (vv),xx,ooo,hhhh,pppp,rrrr

**Manufacturer:** Ames  
**Orientation:** H  
**0.25% Pb:** No  
**Renewed:** 20-Jun-2021

**Model:** 400B  
**Meters:**  
**Spare Parts Only:** Yes  
**Bypass:**

---

**Type:** RP  
**Size:** 1 1/4  
**Manual:** 9  
**Approved:** 30-Aug-2006  
**Shutoffs:** (vv),xx,ooo,hhhh,pppp,rrrr

**Manufacturer:** Ames  
**Orientation:** VD  
**0.25% Pb:** No  
**Renewed:** 30-Aug-2021

**Model:** 400B  
**Meters:**  
**Spare Parts Only:** Yes  
**Bypass:**

---

**Type:** RP  
**Size:** 1 1/2  
**Manual:** 9  
**Approved:** 20-Jun-2006  
**Shutoffs:** (vv),xx,ooo,hhhh,pppp,rrrr

**Manufacturer:** Ames  
**Orientation:** H  
**0.25% Pb:** No  
**Renewed:** 20-Jun-2021

**Model:** 400B  
**Meters:**  
**Spare Parts Only:** Yes  
**Bypass:**

---

**Type:** RP  
**Size:** 1 1/2  
**Manual:** 9  
**Approved:** 30-Aug-2006  
**Shutoffs:** (vv),xx,ooo,hhhh,pppp,rrrr

**Manufacturer:** Ames  
**Orientation:** VD  
**0.25% Pb:** No  
**Renewed:** 30-Aug-2021

**Model:** 400B  
**Meters:**  
**Spare Parts Only:** Yes  
**Bypass:**

---

**Type:** RP  
**Size:** 2  
**Manual:** 9  
**Approved:** 20-Jun-2006  
**Shutoffs:** (vv),xx,ooo,hhhh,pppp,rrrr

**Manufacturer:** Ames  
**Orientation:** H  
**0.25% Pb:** No  
**Renewed:** 20-Jun-2021

**Model:** 400B  
**Meters:**  
**Spare Parts Only:** Yes  
**Bypass:**

---

**Type:** RP  
**Size:** 2  
**Manual:** 9  
**Approved:** 30-Aug-2006  
**Shutoffs:** (vv),xx,ooo,hhhh,pppp,rrrr

**Manufacturer:** Ames  
**Orientation:** VD  
**0.25% Pb:** No  
**Renewed:** 30-Aug-2021

**Model:** 400B  
**Meters:**  
**Spare Parts Only:** Yes  
**Bypass:**

---

**Type:** RP  
**Size:** 3/4  
**Manual:** 9  
**Approved:** 20-Jun-2006  
**Shutoffs:** (vv),xx,ooo,hhhh,pppp,rrrr

**Manufacturer:** Ames  
**Orientation:** VUVD  
**0.25% Pb:** No  
**Renewed:** 20-Jun-2021

**Model:** 400B-A  
**Meters:**  
**Spare Parts Only:** Yes  
**Bypass:**

<b>Type:</b> RP	<b>Manufacturer:</b> Ames	<b>Model:</b> 400B-A
<b>Size:</b> 1	<b>Orientation:</b> VUVD	<b>Meters:</b>
<b>Manual:</b> 9	<b>0.25% Pb:</b> No	<b>Spare Parts Only:</b> Yes
<b>Approved:</b> 20-Jun-2006	<b>Renewed:</b> 20-Jun-2021	<b>Bypass:</b>
<b>Shutoffs:</b> (vv),xx,ooo,hhhh,pppp,rrrr		

---

<b>Type:</b> RP	<b>Manufacturer:</b> Ames	<b>Model:</b> 400B-A
<b>Size:</b> 1 1/4	<b>Orientation:</b> VUVD	<b>Meters:</b>
<b>Manual:</b> 9	<b>0.25% Pb:</b> No	<b>Spare Parts Only:</b> Yes
<b>Approved:</b> 05-Sep-2006	<b>Renewed:</b> 05-Sep-2021	<b>Bypass:</b>
<b>Shutoffs:</b> (vv),xx,ooo,hhhh,pppp,rrrr		

---

<b>Type:</b> RP	<b>Manufacturer:</b> Ames	<b>Model:</b> 400B-A
<b>Size:</b> 1 1/2	<b>Orientation:</b> VUVD	<b>Meters:</b>
<b>Manual:</b> 9	<b>0.25% Pb:</b> No	<b>Spare Parts Only:</b> Yes
<b>Approved:</b> 20-Jun-2006	<b>Renewed:</b> 20-Jun-2021	<b>Bypass:</b>
<b>Shutoffs:</b> (vv),xx,ooo,hhhh,pppp,rrrr		

---

<b>Type:</b> RP	<b>Manufacturer:</b> Ames	<b>Model:</b> 400B-A
<b>Size:</b> 2	<b>Orientation:</b> VUVD	<b>Meters:</b>
<b>Manual:</b> 9	<b>0.25% Pb:</b> No	<b>Spare Parts Only:</b> Yes
<b>Approved:</b> 20-Jun-2006	<b>Renewed:</b> 20-Jun-2021	<b>Bypass:</b>
<b>Shutoffs:</b> (vv),xx,ooo,hhhh,pppp,rrrr		

---

<b>Type:</b> RP	<b>Manufacturer:</b> Ames	<b>Model:</b> 400B-Z
<b>Size:</b> 3/4	<b>Orientation:</b> VUVU	<b>Meters:</b>
<b>Manual:</b> 9	<b>0.25% Pb:</b> No	<b>Spare Parts Only:</b> Yes
<b>Approved:</b> 20-Jun-2006	<b>Renewed:</b> 20-Jun-2021	<b>Bypass:</b>
<b>Shutoffs:</b> (vv),xx,ooo,hhhh,pppp,rrrr		

---

<b>Type:</b> RP	<b>Manufacturer:</b> Ames	<b>Model:</b> 400B-Z
<b>Size:</b> 1	<b>Orientation:</b> VUVU	<b>Meters:</b>
<b>Manual:</b> 9	<b>0.25% Pb:</b> No	<b>Spare Parts Only:</b> Yes
<b>Approved:</b> 20-Jun-2006	<b>Renewed:</b> 20-Jun-2021	<b>Bypass:</b>
<b>Shutoffs:</b> (vv),xx,ooo,hhhh,pppp,rrrr		

---

<b>Type:</b> RP	<b>Manufacturer:</b> Ames	<b>Model:</b> 400B-Z
<b>Size:</b> 1 1/4	<b>Orientation:</b> VUVU	<b>Meters:</b>
<b>Manual:</b> 9	<b>0.25% Pb:</b> No	<b>Spare Parts Only:</b> Yes
<b>Approved:</b> 20-Jun-2006	<b>Renewed:</b> 20-Jun-2021	<b>Bypass:</b>
<b>Shutoffs:</b> (vv),xx,ooo,hhhh,pppp,rrrr		

**Type:** RP    **Manufacturer:** Ames    **Model:** 400B-Z  
**Size:** 1 1/2    **Orientation:** VUVU    **Meters:**  
**Manual:** 9    **0.25% Pb:** No    **Spare Parts Only:** Yes  
**Approved:** 20-Jun-2006    **Renewed:** 20-Jun-2021    **Bypass:**  
**Shutoffs:** (vv),xx,ooo,hhhh,pppp,rrrr

---

**Type:** RP    **Manufacturer:** Ames    **Model:** 400B-Z  
**Size:** 2    **Orientation:** VUVU    **Meters:**  
**Manual:** 9    **0.25% Pb:** No    **Spare Parts Only:** Yes  
**Approved:** 20-Jun-2006    **Renewed:** 20-Jun-2021    **Bypass:**  
**Shutoffs:** (vv),xx,ooo,hhhh,pppp,rrrr

---

**Type:** RP    **Manufacturer:** Ames    **Model:** Colt 400  
**Size:** 2 1/2    **Orientation:** H    **Meters:**  
**Manual:** 9    **0.25% Pb:** No    **Spare Parts Only:** No  
**Approved:** 07-Oct-2002    **Renewed:** 07-Oct-2020    **Bypass:**  
**Shutoffs:** (ppp),qqq,aaaa,bbbb,nnnn  
**Notes:** Check valve discs may be black EPDM or orange Silicone

---

**Type:** RP    **Manufacturer:** Ames    **Model:** Colt 400  
**Size:** 2 1/2    **Orientation:** H    **Meters:**  
**Manual:** 9    **0.25% Pb:** Yes    **Spare Parts Only:** No  
**Approved:** 07-Oct-2002    **Renewed:** 07-Oct-2020    **Bypass:**  
**Shutoffs:** zzz,dddd,eeee,gggg,kkkk,llll,mmmm,nnnn  
**Notes:** Check valve discs may be black EPDM or orange Silicone

---

**Type:** RP    **Manufacturer:** Ames    **Model:** Colt 400  
**Size:** 3    **Orientation:** H    **Meters:**  
**Manual:** 9    **0.25% Pb:** No    **Spare Parts Only:** No  
**Approved:** 07-Oct-2002    **Renewed:** 07-Oct-2020    **Bypass:**  
**Shutoffs:** (ppp),qqq,aaaa,bbbb,nnnn  
**Notes:** Check valve discs may be black EPDM or orange Silicone

---

**Type:** RP    **Manufacturer:** Ames    **Model:** Colt 400  
**Size:** 3    **Orientation:** H    **Meters:**  
**Manual:** 9    **0.25% Pb:** Yes    **Spare Parts Only:** No  
**Approved:** 07-Oct-2002    **Renewed:** 07-Oct-2020    **Bypass:**  
**Shutoffs:** zzz,dddd,eeee,gggg,kkkk,llll,mmmm,nnnn  
**Notes:** Check valve discs may be black EPDM or orange Silicone

**Type:** RP                               **Manufacturer:** Ames                               **Model:** Colt 400  
**Size:** 4                                       **Orientation:** H                                       **Meters:**  
**Manual:** 9                                       **0.25% Pb:** No                                       **Spare Parts Only:** No  
**Approved:** 07-Oct-2002                               **Renewed:** 07-Oct-2020                               **Bypass:**  
**Shutoffs:** (ppp),qqq,aaaa,bbbb,nnnn  
**Notes:** Check valve discs may be black EPDM or orange Silicone

---

**Type:** RP                               **Manufacturer:** Ames                               **Model:** Colt 400  
**Size:** 4                                       **Orientation:** H                                       **Meters:**  
**Manual:** 9                                       **0.25% Pb:** Yes                                       **Spare Parts Only:** No  
**Approved:** 07-Oct-2002                               **Renewed:** 07-Oct-2020                               **Bypass:**  
**Shutoffs:** zzz,dddd,eeee,gggg,kkkk,llll,mmmm,nnnn  
**Notes:** Check valve discs may be black EPDM or orange Silicone

---

**Type:** RP                               **Manufacturer:** Ames                               **Model:** Colt 400  
**Size:** 6                                       **Orientation:** H                                       **Meters:**  
**Manual:** 9                                       **0.25% Pb:** No                                       **Spare Parts Only:** No  
**Approved:** 29-Sep-2004                               **Renewed:** 29-Sep-2019                               **Bypass:**  
**Shutoffs:** (ppp),qqq,aaaa,bbbb,nnnn

---

**Type:** RP                               **Manufacturer:** Ames                               **Model:** Colt 400  
**Size:** 6                                       **Orientation:** H                                       **Meters:**  
**Manual:** 9                                       **0.25% Pb:** Yes                                       **Spare Parts Only:** No  
**Approved:** 29-Sep-2004                               **Renewed:** 29-Sep-2019                               **Bypass:**  
**Shutoffs:** zzz,dddd,eeee,gggg,kkkk,llll,mmmm,nnnn

---

**Type:** RP                               **Manufacturer:** Ames                               **Model:** Colt 400  
**Size:** 8                                       **Orientation:** H                                       **Meters:**  
**Manual:** 9                                       **0.25% Pb:** No                                       **Spare Parts Only:** No  
**Approved:** 13-Aug-2007                               **Renewed:** 13-Aug-2022                               **Bypass:**  
**Shutoffs:** (ppp),qqq,aaaa,bbbb,nnnn

---

**Type:** RP                               **Manufacturer:** Ames                               **Model:** Colt 400  
**Size:** 8                                       **Orientation:** H                                       **Meters:**  
**Manual:** 9                                       **0.25% Pb:** Yes                                       **Spare Parts Only:** No  
**Approved:** 13-Aug-2007                               **Renewed:** 13-Aug-2022                               **Bypass:**  
**Shutoffs:** zzz,dddd,eeee,gggg,kkkk,llll,mmmm,nnnn

<b>Type:</b> RP	<b>Manufacturer:</b> Ames	<b>Model:</b> Colt 400
<b>Size:</b> 10	<b>Orientation:</b> H	<b>Meters:</b>
<b>Manual:</b> 9	<b>0.25% Pb:</b> No	<b>Spare Parts Only:</b> No
<b>Approved:</b> 22-Jul-2009	<b>Renewed:</b> 22-Jul-2021	<b>Bypass:</b>
<b>Shutoffs:</b> (ppp),qqq,sss,ttt,aaaa,bbbb,nnnn		

---

<b>Type:</b> RP	<b>Manufacturer:</b> Ames	<b>Model:</b> Colt 400
<b>Size:</b> 10	<b>Orientation:</b> H	<b>Meters:</b>
<b>Manual:</b> 9	<b>0.25% Pb:</b> Yes	<b>Spare Parts Only:</b> No
<b>Approved:</b> 22-Jul-2009	<b>Renewed:</b> 22-Jul-2021	<b>Bypass:</b>
<b>Shutoffs:</b> zzz,cccc,dddd,eeee,gggg,kkkk,llll,mmmm,nnnn		

---

<b>Type:</b> RP	<b>Manufacturer:</b> Ames	<b>Model:</b> Colt 400BF
<b>Size:</b> 4	<b>Orientation:</b> H	<b>Meters:</b>
<b>Manual:</b> 9	<b>0.25% Pb:</b> Yes	<b>Spare Parts Only:</b> No
<b>Approved:</b> 17-Sep-2007	<b>Renewed:</b> 17-Sep-2019	<b>Bypass:</b>
<b>Shutoffs:</b> (yyy)		
<b>Notes:</b> Check valve discs may be black EPDM or orange Silicone		

---

<b>Type:</b> RP	<b>Manufacturer:</b> Ames	<b>Model:</b> Colt 400BF
<b>Size:</b> 6	<b>Orientation:</b> H	<b>Meters:</b>
<b>Manual:</b> 9	<b>0.25% Pb:</b> Yes	<b>Spare Parts Only:</b> No
<b>Approved:</b> 17-Sep-2007	<b>Renewed:</b> 17-Sep-2019	<b>Bypass:</b>
<b>Shutoffs:</b> (yyy)		

---

<b>Type:</b> RP	<b>Manufacturer:</b> Ames	<b>Model:</b> Colt 400N
<b>Size:</b> 2 1/2	<b>Orientation:</b> VUVD	<b>Meters:</b>
<b>Manual:</b> 9	<b>0.25% Pb:</b> No	<b>Spare Parts Only:</b> No
<b>Approved:</b> 14-Apr-2003	<b>Renewed:</b> 14-Apr-2021	<b>Bypass:</b>
<b>Shutoffs:</b> (ppp),qqq,aaaa,bbbb,nnnn		
<b>Notes:</b> Check valve discs may be black EPDM or orange Silicone		

---

<b>Type:</b> RP	<b>Manufacturer:</b> Ames	<b>Model:</b> Colt 400N
<b>Size:</b> 2 1/2	<b>Orientation:</b> VUVD	<b>Meters:</b>
<b>Manual:</b> 9	<b>0.25% Pb:</b> Yes	<b>Spare Parts Only:</b> No
<b>Approved:</b> 14-Apr-2003	<b>Renewed:</b> 14-Apr-2021	<b>Bypass:</b>
<b>Shutoffs:</b> yyy,zzz,dddd,eeee,gggg,kkkk,llll,mmmm,nnnn		
<b>Notes:</b> Check valve discs may be black EPDM or orange Silicone		



**Type:** RP  
**Size:** 2 1/2  
**Manual:** 9  
**Approved:** 26-Jul-2021  
**Shutoffs:** (ppp),qqq,aaaa,bbbb,nnnn  
**Notes:** Check valve discs may be black EPDM or orange Silicone

---

**Type:** RP  
**Size:** 2 1/2  
**Manual:** 9  
**Approved:** 26-Jul-2021  
**Shutoffs:** yyy,zzz,dddd,eeee,gggg,kkkk,llll,mmmm,nnnn  
**Notes:** Check valve discs may be black EPDM or orange Silicone

---

**Type:** RP  
**Size:** 3  
**Manual:** 9  
**Approved:** 14-Apr-2003  
**Shutoffs:** (ppp),qqq,aaaa,bbbb,nnnn  
**Notes:** Check valve discs may be black EPDM or orange Silicone

---

**Type:** RP  
**Size:** 3  
**Manual:** 9  
**Approved:** 14-Apr-2003  
**Shutoffs:** yyy,zzz,dddd,eeee,gggg,kkkk,llll,mmmm,nnnn  
**Notes:** Check valve discs may be black EPDM or orange Silicone

---

**Type:** RP  
**Size:** 3  
**Manual:** 9  
**Approved:** 26-Jul-2021  
**Shutoffs:** (ppp),qqq,aaaa,bbbb,nnnn  
**Notes:** Check valve discs may be black EPDM or orange Silicone

---

**Type:** RP  
**Size:** 3  
**Manual:** 9  
**Approved:** 26-Jul-2021  
**Shutoffs:** yyy,zzz,dddd,eeee,gggg,kkkk,llll,mmmm,nnnn  
**Notes:** Check valve discs may be black EPDM or orange Silicone

**Type:** RP **Manufacturer:** Ames **Model:** Colt 400N  
**Size:** 4 **Orientation:** VUVD **Meters:**  
**Manual:** 9 **0.25% Pb:** No **Spare Parts Only:** No  
**Approved:** 14-Apr-2003 **Renewed:** 14-Apr-2021 **Bypass:**  
**Shutoffs:** (ppp),qqq,aaaa,bbbb,nnnnn  
**Notes:** Check valve discs may be black EPDM or orange Silicone

---

**Type:** RP **Manufacturer:** Ames **Model:** Colt 400N  
**Size:** 4 **Orientation:** VUVD **Meters:**  
**Manual:** 9 **0.25% Pb:** Yes **Spare Parts Only:** No  
**Approved:** 14-Apr-2003 **Renewed:** 14-Apr-2021 **Bypass:**  
**Shutoffs:** yyy,zzz,dddd,eeee,gggg,kkkk,llll,mmmm,nnnn  
**Notes:** Check valve discs may be black EPDM or orange Silicone

---

**Type:** RP **Manufacturer:** Ames **Model:** Colt 400N  
**Size:** 4 **Orientation:** VUVU **Meters:**  
**Manual:** 9 **0.25% Pb:** No **Spare Parts Only:** No  
**Approved:** 26-Jul-2021 **Renewed:** **Bypass:**  
**Shutoffs:** (ppp),qqq,aaaa,bbbb,nnnnn  
**Notes:** Check valve discs may be black EPDM or orange Silicone

---

**Type:** RP **Manufacturer:** Ames **Model:** Colt 400N  
**Size:** 4 **Orientation:** VUVU **Meters:**  
**Manual:** 9 **0.25% Pb:** Yes **Spare Parts Only:** No  
**Approved:** 26-Jul-2021 **Renewed:** **Bypass:**  
**Shutoffs:** yyy,zzz,dddd,eeee,gggg,kkkk,llll,mmmm,nnnn  
**Notes:** Check valve discs may be black EPDM or orange Silicone

---

**Type:** RP **Manufacturer:** Ames **Model:** Colt 400N  
**Size:** 6 **Orientation:** VUVD **Meters:**  
**Manual:** 9 **0.25% Pb:** No **Spare Parts Only:** No  
**Approved:** 15-Nov-2010 **Renewed:** 15-Nov-2019 **Bypass:**  
**Shutoffs:** ppp,qqq,aaaa,bbbb,nnnnn

---

**Type:** RP **Manufacturer:** Ames **Model:** Colt 400N  
**Size:** 6 **Orientation:** VUVD **Meters:**  
**Manual:** 9 **0.25% Pb:** Yes **Spare Parts Only:** No  
**Approved:** 15-Nov-2010 **Renewed:** 15-Nov-2019 **Bypass:**  
**Shutoffs:** zzz,dddd,eeee,gggg,kkkk,llll,mmmm,nnnn

**Type:** RP                                 **Manufacturer:** Ames                                 **Model:** Colt 400N  
**Size:** 6   **Orientation:** VUVU                                 **Meters:**  
**Manual:** 9   **0.25% Pb:** No                                 **Spare Parts Only:** No  
**Approved:** 26-Jul-2021                                 **Renewed:**                                 **Bypass:**  
**Shutoffs:** ppp,qqq,aaaa,bbbb,nnnn

---

**Type:** RP                                 **Manufacturer:** Ames                                 **Model:** Colt 400N  
**Size:** 6   **Orientation:** VUVU                                 **Meters:**  
**Manual:** 9   **0.25% Pb:** Yes                                 **Spare Parts Only:** No  
**Approved:** 26-Jul-2021                                 **Renewed:**                                 **Bypass:**  
**Shutoffs:** zzz,dddd,eeee,gggg,kkkk,llll,mmmm,nnnn

---

**Type:** RP                                 **Manufacturer:** Ames                                 **Model:** Colt 400N  
**Size:** 8   **Orientation:** VUVD                                 **Meters:**  
**Manual:** 9   **0.25% Pb:** Yes                                 **Spare Parts Only:** No  
**Approved:** 14-Jun-2013                                 **Renewed:** 14-Jun-2022                                 **Bypass:**  
**Shutoffs:** (yyy), zzz, dddd, eeee, gggg, kkkk, llll, mmmm, nnnn

---

**Type:** RP                                 **Manufacturer:** Ames                                 **Model:** Colt 400N  
**Size:** 8   **Orientation:** VUVU                                 **Meters:**  
**Manual:** 9   **0.25% Pb:** Yes                                 **Spare Parts Only:** No  
**Approved:** 26-Jul-2021                                 **Renewed:**                                 **Bypass:**  
**Shutoffs:** (yyy), zzz, dddd, eeee, gggg, kkkk, llll, mmmm, nnnn

---

**Type:** RP                                 **Manufacturer:** Ames                                 **Model:** Colt 400Z  
**Size:** 2 1/2   **Orientation:** VUVD                                 **Meters:**  
**Manual:** 9   **0.25% Pb:** No                                 **Spare Parts Only:** No  
**Approved:** 26-Jul-2021                                 **Renewed:**                                 **Bypass:**  
**Shutoffs:** (ppp),qqq,aaaa,bbbb,nnnn  
**Notes:** Check valve discs may be black EPDM or orange Silicone

---

**Type:** RP                                 **Manufacturer:** Ames                                 **Model:** Colt 400Z  
**Size:** 2 1/2   **Orientation:** VUVD                                 **Meters:**  
**Manual:** 9   **0.25% Pb:** Yes                                 **Spare Parts Only:** No  
**Approved:** 26-Jul-2021                                 **Renewed:**                                 **Bypass:**  
**Shutoffs:** yyy,zzz,dddd,eeee,gggg,kkkk,llll,mmmm,nnnn  
**Notes:** Check valve discs may be black EPDM or orange Silicone

**Type:** RP                                 **Manufacturer:** Ames                                 **Model:** Colt 400Z  
**Size:** 2 1/2                                 **Orientation:** VUVU                                 **Meters:**  
**Manual:** 9                                 **0.25% Pb:** No                                 **Spare Parts Only:** No  
**Approved:** 14-Apr-2003                                 **Renewed:** 14-Apr-2021                                 **Bypass:**  
**Shutoffs:** (ppp),qqq,aaaa,bbbb,nnnn  
**Notes:** Check valve discs may be black EPDM or orange Silicone

---

**Type:** RP                                 **Manufacturer:** Ames                                 **Model:** Colt 400Z  
**Size:** 2 1/2                                 **Orientation:** VUVU                                 **Meters:**  
**Manual:** 9                                 **0.25% Pb:** Yes                                 **Spare Parts Only:** No  
**Approved:** 14-Apr-2003                                 **Renewed:** 14-Apr-2021                                 **Bypass:**  
**Shutoffs:** yyy,zzz,dddd,eeee,gggg,kkkk,llll,mmmm,nnnn  
**Notes:** Check valve discs may be black EPDM or orange Silicone

---

**Type:** RP                                 **Manufacturer:** Ames                                 **Model:** Colt 400Z  
**Size:** 3                                 **Orientation:** VUVD                                 **Meters:**  
**Manual:** 9                                 **0.25% Pb:** No                                 **Spare Parts Only:** No  
**Approved:** 26-Jul-2021                                 **Renewed:**                                 **Bypass:**  
**Shutoffs:** (ppp),qqq,aaaa,bbbb,nnnn  
**Notes:** Check valve discs may be black EPDM or orange Silicone

---

**Type:** RP                                 **Manufacturer:** Ames                                 **Model:** Colt 400Z  
**Size:** 3                                 **Orientation:** VUVD                                 **Meters:**  
**Manual:** 9                                 **0.25% Pb:** Yes                                 **Spare Parts Only:** No  
**Approved:** 26-Jul-2021                                 **Renewed:**                                 **Bypass:**  
**Shutoffs:** yyy,zzz,dddd,eeee,gggg,kkkk,llll,mmmm,nnnn  
**Notes:** Check valve discs may be black EPDM or orange Silicone

---

**Type:** RP                                 **Manufacturer:** Ames                                 **Model:** Colt 400Z  
**Size:** 3                                 **Orientation:** VUVU                                 **Meters:**  
**Manual:** 9                                 **0.25% Pb:** No                                 **Spare Parts Only:** No  
**Approved:** 14-Apr-2003                                 **Renewed:** 14-Apr-2021                                 **Bypass:**  
**Shutoffs:** (ppp),qqq,aaaa,bbbb,nnnn  
**Notes:** Check valve discs may be black EPDM or orange Silicone

---

**Type:** RP                                 **Manufacturer:** Ames                                 **Model:** Colt 400Z  
**Size:** 3                                 **Orientation:** VUVU                                 **Meters:**  
**Manual:** 9                                 **0.25% Pb:** Yes                                 **Spare Parts Only:** No  
**Approved:** 14-Apr-2003                                 **Renewed:** 14-Apr-2021                                 **Bypass:**  
**Shutoffs:** yyy,zzz,dddd,eeee,gggg,kkkk,llll,mmmm,nnnn  
**Notes:** Check valve discs may be black EPDM or orange Silicone

**Type:** RP                                      **Manufacturer:** Ames                                      **Model:** Colt 400Z  
**Size:** 4    **Orientation:** VUVD    **Meters:**  
**Manual:** 9                                      **0.25% Pb:** No    **Spare Parts Only:** No  
**Approved:** 26-Jul-2021                      **Renewed:**    **Bypass:**  
**Shutoffs:** (ppp),qqq,aaaa,bbbb,nnnn  
**Notes:** Check valve discs may be black EPDM or orange Silicone

---

**Type:** RP                                      **Manufacturer:** Ames                                      **Model:** Colt 400Z  
**Size:** 4    **Orientation:** VUVD    **Meters:**  
**Manual:** 9                                      **0.25% Pb:** Yes    **Spare Parts Only:** No  
**Approved:** 26-Jul-2021                      **Renewed:**    **Bypass:**  
**Shutoffs:** yyy,zzz,dddd,eeee,gggg,kkkk,llll,mmmm,nnnn  
**Notes:** Check valve discs may be black EPDM or orange Silicone

---

**Type:** RP                                      **Manufacturer:** Ames                                      **Model:** Colt 400Z  
**Size:** 4    **Orientation:** VUVU    **Meters:**  
**Manual:** 9                                      **0.25% Pb:** No    **Spare Parts Only:** No  
**Approved:** 14-Apr-2003                      **Renewed:** 14-Apr-2021                                      **Bypass:**  
**Shutoffs:** (ppp),qqq,aaaa,bbbb,nnnn  
**Notes:** Check valve discs may be black EPDM or orange Silicone

---

**Type:** RP                                      **Manufacturer:** Ames                                      **Model:** Colt 400Z  
**Size:** 4    **Orientation:** VUVU    **Meters:**  
**Manual:** 9                                      **0.25% Pb:** Yes    **Spare Parts Only:** No  
**Approved:** 14-Apr-2003                      **Renewed:** 14-Apr-2021                                      **Bypass:**  
**Shutoffs:** yyy,zzz,dddd,eeee,gggg,kkkk,llll,mmmm,nnnn  
**Notes:** Check valve discs may be black EPDM or orange Silicone

---

**Type:** RP                                      **Manufacturer:** Ames                                      **Model:** Colt 400Z  
**Size:** 8    **Orientation:** VUVD    **Meters:**  
**Manual:** 9                                      **0.25% Pb:** No    **Spare Parts Only:** No  
**Approved:** 26-Jul-2021                      **Renewed:**    **Bypass:**  
**Shutoffs:** ppp, qq, aaaa, bbbb,

---

**Type:** RP                                      **Manufacturer:** Ames                                      **Model:** Colt 400Z  
**Size:** 8    **Orientation:** VUVD    **Meters:**  
**Manual:** 9                                      **0.25% Pb:** Yes    **Spare Parts Only:** No  
**Approved:** 26-Jul-2021                      **Renewed:**    **Bypass:**  
**Shutoffs:** (yyy), zzz, dddd, eeee, gggg, kkkk, llll, mmmm, nnnn

<b>Type:</b> RP	<b>Manufacturer:</b> Ames	<b>Model:</b> Colt 400Z
<b>Size:</b> 8	<b>Orientation:</b> VUVU	<b>Meters:</b>
<b>Manual:</b> 9	<b>0.25% Pb:</b> No	<b>Spare Parts Only:</b> No
<b>Approved:</b> 14-Jun-2013	<b>Renewed:</b> 14-Jun-2022	<b>Bypass:</b>
<b>Shutoffs:</b> ppp, qq, aaaa, bbbb,		

---

<b>Type:</b> RP	<b>Manufacturer:</b> Ames	<b>Model:</b> Colt 400Z
<b>Size:</b> 8	<b>Orientation:</b> VUVU	<b>Meters:</b>
<b>Manual:</b> 9	<b>0.25% Pb:</b> Yes	<b>Spare Parts Only:</b> No
<b>Approved:</b> 14-Jun-2013	<b>Renewed:</b> 14-Jun-2022	<b>Bypass:</b>
<b>Shutoffs:</b> (yyy), zzz, dddd, eeee, gggg, kkkk, ll, mmmm, nnnn		

---

<b>Type:</b> RP	<b>Manufacturer:</b> Ames	<b>Model:</b> Deringer 40
<b>Size:</b> 2 1/2	<b>Orientation:</b> H	<b>Meters:</b>
<b>Manual:</b> 10	<b>0.25% Pb:</b> Yes	<b>Spare Parts Only:</b> No
<b>Approved:</b> 26-Mar-2020	<b>Renewed:</b>	<b>Bypass:</b>
<b>Shutoffs:</b> (int)		

---

<b>Type:</b> RP	<b>Manufacturer:</b> Ames	<b>Model:</b> Deringer 40
<b>Size:</b> 3	<b>Orientation:</b> H	<b>Meters:</b>
<b>Manual:</b> 10	<b>0.25% Pb:</b> Yes	<b>Spare Parts Only:</b> No
<b>Approved:</b> 26-Mar-2020	<b>Renewed:</b>	<b>Bypass:</b>
<b>Shutoffs:</b> (int)		

---

<b>Type:</b> RP	<b>Manufacturer:</b> Ames	<b>Model:</b> Deringer 40
<b>Size:</b> 4	<b>Orientation:</b> H	<b>Meters:</b>
<b>Manual:</b> 10	<b>0.25% Pb:</b> Yes	<b>Spare Parts Only:</b> No
<b>Approved:</b> 26-Mar-2020	<b>Renewed:</b>	<b>Bypass:</b>
<b>Shutoffs:</b> (int)		

---

<b>Type:</b> RP	<b>Manufacturer:</b> Ames	<b>Model:</b> Deringer 40
<b>Size:</b> 6	<b>Orientation:</b> H	<b>Meters:</b>
<b>Manual:</b> 10	<b>0.25% Pb:</b> Yes	<b>Spare Parts Only:</b> No
<b>Approved:</b> 03-Aug-2022	<b>Renewed:</b>	<b>Bypass:</b>
<b>Shutoffs:</b> (int)		

---

<b>Type:</b> RP	<b>Manufacturer:</b> Ames	<b>Model:</b> Deringer 40
<b>Size:</b> 8	<b>Orientation:</b> H	<b>Meters:</b>
<b>Manual:</b> 10	<b>0.25% Pb:</b> Yes	<b>Spare Parts Only:</b> No
<b>Approved:</b> 26-Mar-2020	<b>Renewed:</b>	<b>Bypass:</b>
<b>Shutoffs:</b> (int)		

**Type:** RP  
**Size:** 2 1/2  
**Manual:** 10  
**Approved:** 26-Mar-2020  
**Shutoffs:** (ssssss), ttttt

**Manufacturer:** Ames  
**Orientation:** H  
**0.25% Pb:** Yes  
**Renewed:**

**Model:** Deringer 40G  
**Meters:**  
**Spare Parts Only:** No  
**Bypass:**

---

**Type:** RP  
**Size:** 3  
**Manual:** 10  
**Approved:** 26-Mar-2020  
**Shutoffs:** (ssssss), ttttt

**Manufacturer:** Ames  
**Orientation:** H  
**0.25% Pb:** Yes  
**Renewed:**

**Model:** Deringer 40G  
**Meters:**  
**Spare Parts Only:** No  
**Bypass:**

---

**Type:** RP  
**Size:** 4  
**Manual:** 10  
**Approved:** 26-Mar-2020  
**Shutoffs:** (ssssss), ttttt

**Manufacturer:** Ames  
**Orientation:** H  
**0.25% Pb:** Yes  
**Renewed:**

**Model:** Deringer 40G  
**Meters:**  
**Spare Parts Only:** No  
**Bypass:**

---

**Type:** RP  
**Size:** 8  
**Manual:** 10  
**Approved:** 26-Mar-2020  
**Shutoffs:** (ssssss), ttttt

**Manufacturer:** Ames  
**Orientation:** H  
**0.25% Pb:** Yes  
**Renewed:**

**Model:** Deringer 40G  
**Meters:**  
**Spare Parts Only:** No  
**Bypass:**

---

**Type:** RP  
**Size:** 6  
**Manual:** 10  
**Approved:** 26-Mar-2020  
**Shutoffs:** (ssssss), ttttt

**Manufacturer:** Ames  
**Orientation:** H  
**0.25% Pb:** Yes  
**Renewed:**

**Model:** Deringer 40GX  
**Meters:**  
**Spare Parts Only:** No  
**Bypass:**

---

**Type:** RP  
**Size:** 4  
**Manual:** 10  
**Approved:** 03-Aug-2022  
**Shutoffs:** (int)

**Manufacturer:** Ames  
**Orientation:** H  
**0.25% Pb:** Yes  
**Renewed:**

**Model:** Deringer 40X  
**Meters:**  
**Spare Parts Only:** No  
**Bypass:**

---

**Type:** RP  
**Size:** 6  
**Manual:** 10  
**Approved:** 26-Mar-2020  
**Shutoffs:** (int)

**Manufacturer:** Ames  
**Orientation:** H  
**0.25% Pb:** Yes  
**Renewed:**

**Model:** Deringer 40X  
**Meters:**  
**Spare Parts Only:** No  
**Bypass:**

**Type:** RP **Manufacturer:** Ames **Model:** LF4000B  
**Size:** 1/2 **Orientation:** H **Meters:**  
**Manual:** 9 **0.25% Pb:** Yes **Spare Parts Only:** No  
**Approved:** 25-Sep-2013 **Renewed:** 25-Sep-2019 **Bypass:**  
**Shutoffs:** (hhhh)

---

**Type:** RP **Manufacturer:** Ames **Model:** LF4000BM2  
**Size:** 1 **Orientation:** H **Meters:**  
**Manual:** 9 **0.25% Pb:** Yes **Spare Parts Only:** No  
**Approved:** 25-Sep-2013 **Renewed:** 25-Sep-2019 **Bypass:**  
**Shutoffs:** (hhhh)

---

**Type:** RP **Manufacturer:** Ames **Model:** LF4000BM2  
**Size:** 1 1/4 **Orientation:** H **Meters:**  
**Manual:** 8 **0.25% Pb:** Yes **Spare Parts Only:** No  
**Approved:** 25-Sep-2013 **Renewed:** 25-Sep-2019 **Bypass:**  
**Shutoffs:** (hhhh)

---

**Type:** RP **Manufacturer:** Ames **Model:** LF4000BM2  
**Size:** 1 1/2 **Orientation:** H **Meters:**  
**Manual:** 8 **0.25% Pb:** Yes **Spare Parts Only:** No  
**Approved:** 25-Sep-2013 **Renewed:** 25-Sep-2019 **Bypass:**  
**Shutoffs:** (hhhh)

---

**Type:** RP **Manufacturer:** Ames **Model:** LF4000BM2  
**Size:** 2 **Orientation:** H **Meters:**  
**Manual:** 9 **0.25% Pb:** Yes **Spare Parts Only:** No  
**Approved:** 25-Sep-2013 **Renewed:** 25-Sep-2019 **Bypass:**  
**Shutoffs:** (hhhh)

---

**Type:** RP **Manufacturer:** Ames **Model:** LF4000BM2-FP  
**Size:** 1 **Orientation:** H **Meters:**  
**Manual:** 9 **0.25% Pb:** Yes **Spare Parts Only:** No  
**Approved:** 12-Mar-2019 **Renewed:** 12-Mar-2022 **Bypass:**  
**Shutoffs:** (eeeeee),uuuuuu

---

**Type:** RP **Manufacturer:** Ames **Model:** LF4000BM2-FP  
**Size:** 1 1/4 **Orientation:** H **Meters:**  
**Manual:** 9 **0.25% Pb:** Yes **Spare Parts Only:** No  
**Approved:** 12-Mar-2019 **Renewed:** 12-Mar-2022 **Bypass:**  
**Shutoffs:** (eeeeee),uuuuuu



**Type:** RP                                   **Manufacturer:** Ames                                   **Model:** LF4000BM2-FP  
**Size:** 1 1/2                                   **Orientation:** H                                   **Meters:**  
**Manual:** 9                                   **0.25% Pb:** Yes                                   **Spare Parts Only:** No  
**Approved:** 12-Mar-2019                                   **Renewed:** 12-Mar-2022                                   **Bypass:**  
**Shutoffs:** (eeee),uuuuuu

---

**Type:** RP                                   **Manufacturer:** Ames                                   **Model:** LF4000BM2-FP  
**Size:** 2                                   **Orientation:** H                                   **Meters:**  
**Manual:** 9                                   **0.25% Pb:** Yes                                   **Spare Parts Only:** No  
**Approved:** 12-Mar-2019                                   **Renewed:** 12-Mar-2022                                   **Bypass:**  
**Shutoffs:** (eeee),uuuuuu

---

**Type:** RP                                   **Manufacturer:** Ames                                   **Model:** LF4000BM3  
**Size:** 3/4                                   **Orientation:** H                                   **Meters:**  
**Manual:** 9                                   **0.25% Pb:** Yes                                   **Spare Parts Only:** No  
**Approved:** 25-Sep-2013                                   **Renewed:** 25-Sep-2019                                   **Bypass:**  
**Shutoffs:** (hhhh)

---

**Type:** RP                                   **Manufacturer:** Ames                                   **Model:** Maxim 400  
**Size:** 2 1/2                                   **Orientation:** H                                   **Meters:**  
**Manual:** 9                                   **0.25% Pb:** No                                   **Spare Parts Only:** No  
**Approved:** 07-Oct-2002                                   **Renewed:** 07-Oct-2020                                   **Bypass:**  
**Shutoffs:** (ppp),qqq,aaa,bbbb,nnnn  
**Notes:** Check valve discs may be black EPDM or orange Silicone

---

**Type:** RP                                   **Manufacturer:** Ames                                   **Model:** Maxim 400  
**Size:** 2 1/2                                   **Orientation:** H                                   **Meters:**  
**Manual:** 9                                   **0.25% Pb:** Yes                                   **Spare Parts Only:** No  
**Approved:** 07-Oct-2002                                   **Renewed:** 07-Oct-2020                                   **Bypass:**  
**Shutoffs:** zzz,dddd,eeee,gggg,kkkk,llll,mmmm,nnnn  
**Notes:** Check valve discs may be black EPDM or orange Silicone

---

**Type:** RP                                   **Manufacturer:** Ames                                   **Model:** Maxim 400  
**Size:** 3                                   **Orientation:** H                                   **Meters:**  
**Manual:** 9                                   **0.25% Pb:** No                                   **Spare Parts Only:** No  
**Approved:** 07-Oct-2002                                   **Renewed:** 07-Oct-2020                                   **Bypass:**  
**Shutoffs:** (ppp),qqq,aaa,bbbb,nnnn  
**Notes:** Check valve discs may be black EPDM or orange Silicone

**Type:** RP **Manufacturer:** Ames **Model:** Maxim 400  
**Size:** 3 **Orientation:** H **Meters:**  
**Manual:** 9 **0.25% Pb:** Yes **Spare Parts Only:** No  
**Approved:** 07-Oct-2002 **Renewed:** 07-Oct-2020 **Bypass:**  
**Shutoffs:** zzz,dddd,eeee,gggg,kkkk,llll,mmmm,nnnn  
**Notes:** Check valve discs may be black EPDM or orange Silicone

---

**Type:** RP **Manufacturer:** Ames **Model:** Maxim 400  
**Size:** 4 **Orientation:** H **Meters:**  
**Manual:** 9 **0.25% Pb:** No **Spare Parts Only:** No  
**Approved:** 18-Jan-2005 **Renewed:** 18-Jan-2020 **Bypass:**  
**Shutoffs:** (ppp),qqq,aaa,bbbb,nnnn

---

**Type:** RP **Manufacturer:** Ames **Model:** Maxim 400  
**Size:** 4 **Orientation:** H **Meters:**  
**Manual:** 9 **0.25% Pb:** Yes **Spare Parts Only:** No  
**Approved:** 18-Jan-2005 **Renewed:** 18-Jan-2020 **Bypass:**  
**Shutoffs:** kkkk,llll,mmmm,nnnn

---

**Type:** RP **Manufacturer:** Ames **Model:** Maxim 400  
**Size:** 6 **Orientation:** H **Meters:**  
**Manual:** 9 **0.25% Pb:** No **Spare Parts Only:** No  
**Approved:** 13-Aug-2007 **Renewed:** 13-Aug-2022 **Bypass:**  
**Shutoffs:** (ppp),qqq,sss,ttt,aaaa,bbbb,nnnn

---

**Type:** RP **Manufacturer:** Ames **Model:** Maxim 400  
**Size:** 6 **Orientation:** H **Meters:**  
**Manual:** 9 **0.25% Pb:** Yes **Spare Parts Only:** No  
**Approved:** 13-Aug-2007 **Renewed:** 13-Aug-2022 **Bypass:**  
**Shutoffs:** cccc,dddd,kkkk,llll,mmmm,nnnn

---

**Type:** RP **Manufacturer:** Ames **Model:** Maxim 400  
**Size:** 8 **Orientation:** H **Meters:**  
**Manual:** 9 **0.25% Pb:** No **Spare Parts Only:** No  
**Approved:** 22-Jul-2009 **Renewed:** 22-Jul-2021 **Bypass:**  
**Shutoffs:** (ppp),qqq,sss,ttt,aaaa,bbbb,nnnn

**Type:** RP                                   **Manufacturer:** Ames                                   **Model:** Maxim 400  
**Size:** 8                                   **Orientation:** H                                   **Meters:**  
**Manual:** 9                                   **0.25% Pb:** Yes                                   **Spare Parts Only:** No  
**Approved:** 22-Jul-2009                                   **Renewed:** 22-Jul-2021                                   **Bypass:**  
**Shutoffs:** zzz,cccc,dddd,eeee,gggg,kkkk,llll,mmmm,nnnn

---

**Type:** RP                                   **Manufacturer:** Ames                                   **Model:** Maxim 400  
**Size:** 10                                   **Orientation:** H                                   **Meters:**  
**Manual:** 9                                   **0.25% Pb:** No                                   **Spare Parts Only:** No  
**Approved:** 22-Jul-2009                                   **Renewed:** 22-Jul-2021                                   **Bypass:**  
**Shutoffs:** (ppp),qqq,sss,ttt,aaaa,bbbb

---

**Type:** RP                                   **Manufacturer:** Ames                                   **Model:** Maxim 400  
**Size:** 10                                   **Orientation:** H                                   **Meters:**  
**Manual:** 9                                   **0.25% Pb:** Yes                                   **Spare Parts Only:** No  
**Approved:** 22-Jul-2009                                   **Renewed:** 22-Jul-2021                                   **Bypass:**  
**Shutoffs:** zzz,cccc,dddd,eeee,gggg,kkkk,llll,mmmm,nnnn

---

**Type:** RP                                   **Manufacturer:** Ames                                   **Model:** Maxim 400N  
**Size:** 2 1/2                                   **Orientation:** VUVD                                   **Meters:**  
**Manual:** 9                                   **0.25% Pb:** No                                   **Spare Parts Only:** No  
**Approved:** 14-Apr-2003                                   **Renewed:** 14-Apr-2021                                   **Bypass:**  
**Shutoffs:** (ppp),qqq,aaaa,bbbb,nnnnn

---

**Type:** RP                                   **Manufacturer:** Ames                                   **Model:** Maxim 400N  
**Size:** 2 1/2                                   **Orientation:** VUVD                                   **Meters:**  
**Manual:** 9                                   **0.25% Pb:** Yes                                   **Spare Parts Only:** No  
**Approved:** 14-Apr-2003                                   **Renewed:** 14-Apr-2021                                   **Bypass:**  
**Shutoffs:** yyy,zzz,dddd,eeee,gggg,kkkk,llll,mmmm,nnnn

---

**Type:** RP                                   **Manufacturer:** Ames                                   **Model:** Maxim 400N  
**Size:** 2 1/2                                   **Orientation:** VUVU                                   **Meters:**  
**Manual:** 9                                   **0.25% Pb:** No                                   **Spare Parts Only:** No  
**Approved:** 26-Jul-2021                                   **Renewed:**                                   **Bypass:**  
**Shutoffs:** (ppp),qqq,aaaa,bbbb,nnnnn

---

**Type:** RP                                   **Manufacturer:** Ames                                   **Model:** Maxim 400N  
**Size:** 2 1/2                                   **Orientation:** VUVU                                   **Meters:**  
**Manual:** 9                                   **0.25% Pb:** Yes                                   **Spare Parts Only:** No  
**Approved:** 26-Jul-2021                                   **Renewed:**                                   **Bypass:**  
**Shutoffs:** yyy,zzz,dddd,eeee,gggg,kkkk,llll,mmmm,nnnn

**Type:** RP                                   **Manufacturer:** Ames                                   **Model:** Maxim 400N  
**Size:** 3                                   **Orientation:** VUVD                                   **Meters:**  
**Manual:** 9                                   **0.25% Pb:** No                                   **Spare Parts Only:** No  
**Approved:** 14-Apr-2003                                   **Renewed:** 14-Apr-2021                                   **Bypass:**  
**Shutoffs:** (ppp),qqq,aaaa,bbbb,nnnnn

---

**Type:** RP                                   **Manufacturer:** Ames                                   **Model:** Maxim 400N  
**Size:** 3                                   **Orientation:** VUVD                                   **Meters:**  
**Manual:** 9                                   **0.25% Pb:** Yes                                   **Spare Parts Only:** No  
**Approved:** 14-Apr-2003                                   **Renewed:** 14-Apr-2021                                   **Bypass:**  
**Shutoffs:** yyy,zzz,dddd,eeee,gggg,kkkk,llll,mmmm,nnnn

---

**Type:** RP                                   **Manufacturer:** Ames                                   **Model:** Maxim 400N  
**Size:** 3                                   **Orientation:** VUVU                                   **Meters:**  
**Manual:** 9                                   **0.25% Pb:** No                                   **Spare Parts Only:** No  
**Approved:** 26-Jul-2021                                   **Renewed:**                                   **Bypass:**  
**Shutoffs:** (ppp),qqq,aaaa,bbbb,nnnnn

---

**Type:** RP                                   **Manufacturer:** Ames                                   **Model:** Maxim 400N  
**Size:** 3                                   **Orientation:** VUVU                                   **Meters:**  
**Manual:** 9                                   **0.25% Pb:** Yes                                   **Spare Parts Only:** No  
**Approved:** 26-Jul-2021                                   **Renewed:**                                   **Bypass:**  
**Shutoffs:** yyy,zzz,dddd,eeee,gggg,kkkk,llll,mmmm,nnnn

---

**Type:** RP                                   **Manufacturer:** Ames                                   **Model:** Maxim 400N  
**Size:** 4                                   **Orientation:** VUVD                                   **Meters:**  
**Manual:** 9                                   **0.25% Pb:** No                                   **Spare Parts Only:** No  
**Approved:** 15-Nov-2010                                   **Renewed:** 15-Nov-2019                                   **Bypass:**  
**Shutoffs:** ppp,qqq,aaaa,bbbb,nnnnn

---

**Type:** RP                                   **Manufacturer:** Ames                                   **Model:** Maxim 400N  
**Size:** 4                                   **Orientation:** VUVD                                   **Meters:**  
**Manual:** 9                                   **0.25% Pb:** Yes                                   **Spare Parts Only:** No  
**Approved:** 15-Nov-2010                                   **Renewed:** 15-Nov-2019                                   **Bypass:**  
**Shutoffs:** yyy,zzz,dddd,eeee,gggg,kkkk,llll,mmmm,nnnn

---

**Type:** RP                                   **Manufacturer:** Ames                                   **Model:** Maxim 400N  
**Size:** 4                                   **Orientation:** VUVU                                   **Meters:**  
**Manual:** 9                                   **0.25% Pb:** No                                   **Spare Parts Only:** No  
**Approved:** 26-Jul-2021                                   **Renewed:**                                   **Bypass:**  
**Shutoffs:** ppp,qqq,aaaa,bbbb,nnnnn

<b>Type:</b> RP	<b>Manufacturer:</b> Ames	<b>Model:</b> Maxim 400N
<b>Size:</b> 4	<b>Orientation:</b> VUVU	<b>Meters:</b>
<b>Manual:</b> 9	<b>0.25% Pb:</b> Yes	<b>Spare Parts Only:</b> No
<b>Approved:</b> 26-Jul-2021	<b>Renewed:</b>	<b>Bypass:</b>
<b>Shutoffs:</b> yyy,zzz,dddd,eeee,gggg,kkkk,llll,mmmm,nnnn		

---

<b>Type:</b> RP	<b>Manufacturer:</b> Ames	<b>Model:</b> Maxim 400N
<b>Size:</b> 6	<b>Orientation:</b> VUVD	<b>Meters:</b>
<b>Manual:</b> 9	<b>0.25% Pb:</b> No	<b>Spare Parts Only:</b> No
<b>Approved:</b> 14-Jun-2013	<b>Renewed:</b> 14-Jun-2022	<b>Bypass:</b>
<b>Shutoffs:</b> ppp, qqq, aaaa, bbbb,		

---

<b>Type:</b> RP	<b>Manufacturer:</b> Ames	<b>Model:</b> Maxim 400N
<b>Size:</b> 6	<b>Orientation:</b> VUVD	<b>Meters:</b>
<b>Manual:</b> 9	<b>0.25% Pb:</b> Yes	<b>Spare Parts Only:</b> No
<b>Approved:</b> 14-Jun-2013	<b>Renewed:</b> 14-Jun-2022	<b>Bypass:</b>
<b>Shutoffs:</b> (yyy), zzz, dddd, eeee, gggg, kkkk, llll, mmmm, nnnn		

---

<b>Type:</b> RP	<b>Manufacturer:</b> Ames	<b>Model:</b> Maxim 400Z
<b>Size:</b> 2 1/2	<b>Orientation:</b> VUVD	<b>Meters:</b>
<b>Manual:</b> 9	<b>0.25% Pb:</b> No	<b>Spare Parts Only:</b> No
<b>Approved:</b> 26-Jul-2021	<b>Renewed:</b>	<b>Bypass:</b>
<b>Shutoffs:</b> (ppp),qqq,aaaa,bbbb,nnnn		

---

<b>Type:</b> RP	<b>Manufacturer:</b> Ames	<b>Model:</b> Maxim 400Z
<b>Size:</b> 2 1/2	<b>Orientation:</b> VUVD	<b>Meters:</b>
<b>Manual:</b> 9	<b>0.25% Pb:</b> Yes	<b>Spare Parts Only:</b> No
<b>Approved:</b> 26-Jul-2021	<b>Renewed:</b>	<b>Bypass:</b>
<b>Shutoffs:</b> yyy,zzz,dddd,eeee,gggg,kkkk,llll,mmmm,nnnn		

---

<b>Type:</b> RP	<b>Manufacturer:</b> Ames	<b>Model:</b> Maxim 400Z
<b>Size:</b> 2 1/2	<b>Orientation:</b> VUVU	<b>Meters:</b>
<b>Manual:</b> 9	<b>0.25% Pb:</b> No	<b>Spare Parts Only:</b> No
<b>Approved:</b> 14-Apr-2003	<b>Renewed:</b> 14-Apr-2021	<b>Bypass:</b>
<b>Shutoffs:</b> (ppp),qqq,aaaa,bbbb,nnnn		

---

<b>Type:</b> RP	<b>Manufacturer:</b> Ames	<b>Model:</b> Maxim 400Z
<b>Size:</b> 2 1/2	<b>Orientation:</b> VUVU	<b>Meters:</b>
<b>Manual:</b> 9	<b>0.25% Pb:</b> Yes	<b>Spare Parts Only:</b> No
<b>Approved:</b> 14-Apr-2003	<b>Renewed:</b> 14-Apr-2021	<b>Bypass:</b>
<b>Shutoffs:</b> yyy,zzz,dddd,eeee,gggg,kkkk,llll,mmmm,nnnn		

<b>Type:</b> RP	<b>Manufacturer:</b> Ames	<b>Model:</b> Maxim 400Z
<b>Size:</b> 3	<b>Orientation:</b> VUVD	<b>Meters:</b>
<b>Manual:</b> 9	<b>0.25% Pb:</b> No	<b>Spare Parts Only:</b> No
<b>Approved:</b> 26-Jul-2021	<b>Renewed:</b>	<b>Bypass:</b>
<b>Shutoffs:</b> (ppp),qqq,aaaa,bbbb,nnnn		

---

<b>Type:</b> RP	<b>Manufacturer:</b> Ames	<b>Model:</b> Maxim 400Z
<b>Size:</b> 3	<b>Orientation:</b> VUVD	<b>Meters:</b>
<b>Manual:</b> 9	<b>0.25% Pb:</b> Yes	<b>Spare Parts Only:</b> No
<b>Approved:</b> 26-Jul-2021	<b>Renewed:</b>	<b>Bypass:</b>
<b>Shutoffs:</b> yyy,zzz,dddd,eeee,gggg,kkkk,llll,mmmm,nnnn		

---

<b>Type:</b> RP	<b>Manufacturer:</b> Ames	<b>Model:</b> Maxim 400Z
<b>Size:</b> 3	<b>Orientation:</b> VUVU	<b>Meters:</b>
<b>Manual:</b> 9	<b>0.25% Pb:</b> No	<b>Spare Parts Only:</b> No
<b>Approved:</b> 14-Apr-2003	<b>Renewed:</b> 14-Apr-2021	<b>Bypass:</b>
<b>Shutoffs:</b> (ppp),qqq,aaaa,bbbb,nnnn		

---

<b>Type:</b> RP	<b>Manufacturer:</b> Ames	<b>Model:</b> Maxim 400Z
<b>Size:</b> 3	<b>Orientation:</b> VUVU	<b>Meters:</b>
<b>Manual:</b> 9	<b>0.25% Pb:</b> Yes	<b>Spare Parts Only:</b> No
<b>Approved:</b> 14-Apr-2003	<b>Renewed:</b> 14-Apr-2021	<b>Bypass:</b>
<b>Shutoffs:</b> yyy,zzz,dddd,eeee,gggg,kkkk,llll,mmmm,nnnn		

---

<b>Type:</b> RP	<b>Manufacturer:</b> Ames	<b>Model:</b> Maxim 400Z
<b>Size:</b> 6	<b>Orientation:</b> VUVD	<b>Meters:</b>
<b>Manual:</b> 9	<b>0.25% Pb:</b> No	<b>Spare Parts Only:</b> No
<b>Approved:</b> 26-Jul-2021	<b>Renewed:</b>	<b>Bypass:</b>
<b>Shutoffs:</b> ppp, qqq, aaaa, bbbb,		

---

<b>Type:</b> RP	<b>Manufacturer:</b> Ames	<b>Model:</b> Maxim 400Z
<b>Size:</b> 6	<b>Orientation:</b> VUVD	<b>Meters:</b>
<b>Manual:</b> 9	<b>0.25% Pb:</b> Yes	<b>Spare Parts Only:</b> No
<b>Approved:</b> 26-Jul-2021	<b>Renewed:</b>	<b>Bypass:</b>
<b>Shutoffs:</b> (yyy), zzz, dddd, eeee, gggg, kkkk, llll, mmmm, nnnn		

---

<b>Type:</b> RP	<b>Manufacturer:</b> Ames	<b>Model:</b> Maxim 400Z
<b>Size:</b> 6	<b>Orientation:</b> VUVU	<b>Meters:</b>
<b>Manual:</b> 9	<b>0.25% Pb:</b> No	<b>Spare Parts Only:</b> No
<b>Approved:</b> 14-Jun-2013	<b>Renewed:</b> 14-Jun-2022	<b>Bypass:</b>
<b>Shutoffs:</b> ppp, qqq, aaaa, bbbb,		

<b>Type:</b> RP	<b>Manufacturer:</b> Ames	<b>Model:</b> Maxim 400Z
<b>Size:</b> 6	<b>Orientation:</b> VUVU	<b>Meters:</b>
<b>Manual:</b> 9	<b>0.25% Pb:</b> Yes	<b>Spare Parts Only:</b> No
<b>Approved:</b> 14-Jun-2013	<b>Renewed:</b> 14-Jun-2022	<b>Bypass:</b>
<b>Shutoffs:</b> (yyy), zzz, dddd, eeee, gggg, kkkk, llll, mmmm, nnnn		

---

<b>Type:</b> RP	<b>Manufacturer:</b> Ames	<b>Model:</b> RP
<b>Size:</b> 4	<b>Orientation:</b>	<b>Meters:</b>
<b>Manual:</b>	<b>0.25% Pb:</b> No	<b>Spare Parts Only:</b> No
<b>Approved:</b>	<b>Renewed:</b>	<b>Bypass:</b>
<b>Notes:</b> model designation changed to 4000RP		

---

<b>Type:</b> RP	<b>Manufacturer:</b> Ames	<b>Model:</b> RP
<b>Size:</b> 6	<b>Orientation:</b>	<b>Meters:</b>
<b>Manual:</b>	<b>0.25% Pb:</b> No	<b>Spare Parts Only:</b> No
<b>Approved:</b>	<b>Renewed:</b>	<b>Bypass:</b>
<b>Notes:</b> model designation changed to 4000RP		

---

<b>Type:</b> RP	<b>Manufacturer:</b> Ames	<b>Model:</b> RP
<b>Size:</b> 8	<b>Orientation:</b>	<b>Meters:</b>
<b>Manual:</b>	<b>0.25% Pb:</b> No	<b>Spare Parts Only:</b> No
<b>Approved:</b>	<b>Renewed:</b>	<b>Bypass:</b>
<b>Notes:</b> model designation changed to 4000RP		

---

<b>Type:</b> RP	<b>Manufacturer:</b> Ames	<b>Model:</b> RP
<b>Size:</b> 10	<b>Orientation:</b>	<b>Meters:</b>
<b>Manual:</b>	<b>0.25% Pb:</b> No	<b>Spare Parts Only:</b> No
<b>Approved:</b>	<b>Renewed:</b>	<b>Bypass:</b>
<b>Notes:</b> model designation changed to 4000RP		

---

<b>Type:</b> RP	<b>Manufacturer:</b> Ames	<b>Model:</b> U400B
<b>Size:</b> 1	<b>Orientation:</b> H	<b>Meters:</b>
<b>Manual:</b> 9	<b>0.25% Pb:</b> No	<b>Spare Parts Only:</b> Yes
<b>Approved:</b> 20-Jun-2006	<b>Renewed:</b> 20-Jun-2021	<b>Bypass:</b>
<b>Shutoffs:</b> (vv),xx,ooo,hhhh,pppp		

---

<b>Type:</b> RP	<b>Manufacturer:</b> Ames	<b>Model:</b> U400B
<b>Size:</b> 1	<b>Orientation:</b> VD	<b>Meters:</b>
<b>Manual:</b> 9	<b>0.25% Pb:</b> No	<b>Spare Parts Only:</b> Yes
<b>Approved:</b> 30-Aug-2006	<b>Renewed:</b> 30-Aug-2021	<b>Bypass:</b>
<b>Shutoffs:</b> (vv),xx,ooo,hhhh,pppp		

**Type:** RP                                      **Manufacturer:** Ames                                      **Model:** U400B  
**Size:** 1 1/4                                      **Orientation:** H                                      **Meters:**  
**Manual:** 9                                      **0.25% Pb:** No                                      **Spare Parts Only:** Yes  
**Approved:** 20-Jun-2006                                      **Renewed:** 20-Jun-2021                                      **Bypass:**  
**Shutoffs:** (vv),xx,ooo,hhhh,pppp

---

**Type:** RP                                      **Manufacturer:** Ames                                      **Model:** U400B  
**Size:** 1 1/4                                      **Orientation:** VD                                      **Meters:**  
**Manual:** 9                                      **0.25% Pb:** No                                      **Spare Parts Only:** Yes  
**Approved:** 30-Aug-2006                                      **Renewed:** 30-Aug-2021                                      **Bypass:**  
**Shutoffs:** (vv),xx,ooo,hhhh,pppp

---

**Type:** RP                                      **Manufacturer:** Ames                                      **Model:** U400B  
**Size:** 1 1/2                                      **Orientation:** H                                      **Meters:**  
**Manual:** 9                                      **0.25% Pb:** No                                      **Spare Parts Only:** Yes  
**Approved:** 20-Jun-2006                                      **Renewed:** 20-Jun-2021                                      **Bypass:**  
**Shutoffs:** (vv),xx,ooo,hhhh,pppp

---

**Type:** RP                                      **Manufacturer:** Ames                                      **Model:** U400B  
**Size:** 1 1/2                                      **Orientation:** VD                                      **Meters:**  
**Manual:** 9                                      **0.25% Pb:** No                                      **Spare Parts Only:** Yes  
**Approved:** 30-Aug-2006                                      **Renewed:** 30-Aug-2021                                      **Bypass:**  
**Shutoffs:** (vv),xx,ooo,hhhh,pppp

---

**Type:** RP                                      **Manufacturer:** Ames                                      **Model:** U400B  
**Size:** 2                                      **Orientation:** H                                      **Meters:**  
**Manual:** 9                                      **0.25% Pb:** No                                      **Spare Parts Only:** Yes  
**Approved:** 20-Jun-2006                                      **Renewed:** 20-Jun-2021                                      **Bypass:**  
**Shutoffs:** (vv),xx,ooo,hhhh,pppp

---

**Type:** RP                                      **Manufacturer:** Ames                                      **Model:** U400B  
**Size:** 2                                      **Orientation:** VD                                      **Meters:**  
**Manual:** 9                                      **0.25% Pb:** No                                      **Spare Parts Only:** Yes  
**Approved:** 30-Aug-2006                                      **Renewed:** 30-Aug-2021                                      **Bypass:**  
**Shutoffs:** (vv),xx,ooo,hhhh,pppp

---

**Type:** RP                                      **Manufacturer:** Ames                                      **Model:** U400B-A  
**Size:** 3/4                                      **Orientation:** VUVD                                      **Meters:**  
**Manual:** 9                                      **0.25% Pb:** No                                      **Spare Parts Only:** Yes  
**Approved:** 20-Jun-2006                                      **Renewed:** 20-Jun-2021                                      **Bypass:**  
**Shutoffs:** (vv),xx,ooo,hhhh,pppp



<b>Type:</b> RP	<b>Manufacturer:</b> Ames	<b>Model:</b> U400B-A
<b>Size:</b> 1	<b>Orientation:</b> VUVD	<b>Meters:</b>
<b>Manual:</b> 9	<b>0.25% Pb:</b> No	<b>Spare Parts Only:</b> Yes
<b>Approved:</b> 20-Jun-2006	<b>Renewed:</b> 20-Jun-2021	<b>Bypass:</b>
<b>Shutoffs:</b> (vv),xx,ooo,hhhh,pppp		

---

<b>Type:</b> RP	<b>Manufacturer:</b> Ames	<b>Model:</b> U400B-A
<b>Size:</b> 1 1/4	<b>Orientation:</b> VUVD	<b>Meters:</b>
<b>Manual:</b> 9	<b>0.25% Pb:</b> No	<b>Spare Parts Only:</b> Yes
<b>Approved:</b> 20-Jun-2006	<b>Renewed:</b> 20-Jun-2021	<b>Bypass:</b>
<b>Shutoffs:</b> (vv),xx,ooo,hhhh,pppp		

---

<b>Type:</b> RP	<b>Manufacturer:</b> Ames	<b>Model:</b> U400B-A
<b>Size:</b> 1 1/2	<b>Orientation:</b> VUVD	<b>Meters:</b>
<b>Manual:</b> 9	<b>0.25% Pb:</b> No	<b>Spare Parts Only:</b> Yes
<b>Approved:</b> 20-Jun-2006	<b>Renewed:</b> 20-Jun-2021	<b>Bypass:</b>
<b>Shutoffs:</b> (vv),xx,ooo,hhhh,pppp		

---

<b>Type:</b> RP	<b>Manufacturer:</b> Ames	<b>Model:</b> U400B-A
<b>Size:</b> 2	<b>Orientation:</b> VUVD	<b>Meters:</b>
<b>Manual:</b> 9	<b>0.25% Pb:</b> No	<b>Spare Parts Only:</b> Yes
<b>Approved:</b> 20-Jun-2006	<b>Renewed:</b> 20-Jun-2021	<b>Bypass:</b>
<b>Shutoffs:</b> (vv),xx,ooo,hhhh,pppp		

---

<b>Type:</b> RP	<b>Manufacturer:</b> Apollo/Conbraco	<b>Model:</b> 2020499T
<b>Size:</b> 3/4	<b>Orientation:</b>	<b>Meters:</b>
<b>Manual:</b>	<b>0.25% Pb:</b> No	<b>Spare Parts Only:</b> No
<b>Approved:</b>	<b>Renewed:</b>	<b>Bypass:</b>
<b>Notes:</b> model designation changed to RP40		

---

<b>Type:</b> RP	<b>Manufacturer:</b> Apollo/Conbraco	<b>Model:</b> 4020002
<b>Size:</b> 3	<b>Orientation:</b>	<b>Meters:</b>
<b>Manual:</b>	<b>0.25% Pb:</b> No	<b>Spare Parts Only:</b> No
<b>Approved:</b>	<b>Renewed:</b>	<b>Bypass:</b>
<b>Notes:</b> model designation changed to RP40		

---

<b>Type:</b> RP	<b>Manufacturer:</b> Apollo/Conbraco	<b>Model:</b> 4020003
<b>Size:</b> 3	<b>Orientation:</b>	<b>Meters:</b>
<b>Manual:</b>	<b>0.25% Pb:</b> No	<b>Spare Parts Only:</b> No
<b>Approved:</b>	<b>Renewed:</b>	<b>Bypass:</b>
<b>Notes:</b> model designation changed to RP40		

**Type:** RP                                      **Manufacturer:** Apollo/Conbraco                                      **Model:** 4020005  
**Size:** 3    **Orientation:**    **Meters:**  
**Manual:**                                      **0.25% Pb:** No    **Spare Parts Only:** No  
**Approved:**                                      **Renewed:**    **Bypass:**  
**Notes:** model designation changed to RP40

---

**Type:** RP                                      **Manufacturer:** Apollo/Conbraco                                      **Model:** 4020102  
**Size:** 1/4    **Orientation:** H    **Meters:**  
**Manual:** 8                                      **0.25% Pb:** No    **Spare Parts Only:** Yes  
**Approved:** 03-May-1991                                      **Renewed:** 03-May-2021    **Bypass:**  
**Shutoffs:** dd

---

**Type:** RP                                      **Manufacturer:** Apollo/Conbraco                                      **Model:** 4020199T  
**Size:** 1/4    **Orientation:**    **Meters:**  
**Manual:**                                      **0.25% Pb:** No    **Spare Parts Only:** No  
**Approved:**                                      **Renewed:**    **Bypass:**  
**Notes:** model designation changed to RP40

---

**Type:** RP                                      **Manufacturer:** Apollo/Conbraco                                      **Model:** 40201A2  
**Size:** 1/4    **Orientation:** H    **Meters:**  
**Manual:** 8                                      **0.25% Pb:** No    **Spare Parts Only:** Yes  
**Approved:** 19-Apr-1996                                      **Renewed:** 19-Apr-2020    **Bypass:**  
**Shutoffs:** dd

---

**Type:** RP                                      **Manufacturer:** Apollo/Conbraco                                      **Model:** 40201A2S  
**Size:** 1/4    **Orientation:**    **Meters:**  
**Manual:**                                      **0.25% Pb:** No    **Spare Parts Only:** No  
**Approved:**                                      **Renewed:**    **Bypass:**  
**Notes:** model designation changed to RPS40

---

**Type:** RP                                      **Manufacturer:** Apollo/Conbraco                                      **Model:** 40201T2  
**Size:** 1/4    **Orientation:**    **Meters:**  
**Manual:**                                      **0.25% Pb:** No    **Spare Parts Only:** No  
**Approved:**                                      **Renewed:**    **Bypass:**  
**Notes:** model designation changed to RP40

---

**Type:** RP                                      **Manufacturer:** Apollo/Conbraco                                      **Model:** 40201T2S  
**Size:** 1/4    **Orientation:**    **Meters:**  
**Manual:**                                      **0.25% Pb:** No    **Spare Parts Only:** No  
**Approved:**                                      **Renewed:**    **Bypass:**  
**Notes:** model designation changed to RPS40

**Type:** RP                                      **Manufacturer:** Apollo/Conbraco                                      **Model:** 4020202  
**Size:** 3/8                                      **Orientation:** H                                      **Meters:**  
**Manual:** 8                                      **0.25% Pb:** No                                      **Spare Parts Only:** Yes  
**Approved:** 03-May-1991                                      **Renewed:** 03-May-2021                                      **Bypass:**  
**Shutoffs:** dd

---

**Type:** RP                                      **Manufacturer:** Apollo/Conbraco                                      **Model:** 4020299T  
**Size:** 3/8                                      **Orientation:**  
**Manual:**                                      **0.25% Pb:** No                                      **Spare Parts Only:** No  
**Approved:**                                      **Renewed:**                                      **Bypass:**  
**Notes:** model designation changed to RP40

---

**Type:** RP                                      **Manufacturer:** Apollo/Conbraco                                      **Model:** 40202A2  
**Size:** 3/8                                      **Orientation:** H                                      **Meters:**  
**Manual:** 8                                      **0.25% Pb:** No                                      **Spare Parts Only:** Yes  
**Approved:** 19-Apr-1996                                      **Renewed:** 19-Apr-2020                                      **Bypass:**  
**Shutoffs:** dd

---

**Type:** RP                                      **Manufacturer:** Apollo/Conbraco                                      **Model:** 40202A2S  
**Size:** 3/8                                      **Orientation:**  
**Manual:**                                      **0.25% Pb:** No                                      **Spare Parts Only:** No  
**Approved:**                                      **Renewed:**                                      **Bypass:**  
**Notes:** model designation changed to RPS40

---

**Type:** RP                                      **Manufacturer:** Apollo/Conbraco                                      **Model:** 40202T2  
**Size:** 3/8                                      **Orientation:**  
**Manual:**                                      **0.25% Pb:** No                                      **Spare Parts Only:** No  
**Approved:**                                      **Renewed:**                                      **Bypass:**  
**Notes:** model designation changed to RP40

---

**Type:** RP                                      **Manufacturer:** Apollo/Conbraco                                      **Model:** 40202T2S  
**Size:** 3/8                                      **Orientation:**  
**Manual:**                                      **0.25% Pb:** No                                      **Spare Parts Only:** No  
**Approved:**                                      **Renewed:**                                      **Bypass:**  
**Notes:** model designation changed to RPS40

---

**Type:** RP                                      **Manufacturer:** Apollo/Conbraco                                      **Model:** 4020302  
**Size:** 1/2                                      **Orientation:** H                                      **Meters:**  
**Manual:** 8                                      **0.25% Pb:** No                                      **Spare Parts Only:** Yes  
**Approved:** 03-May-1991                                      **Renewed:** 03-May-2020                                      **Bypass:**  
**Shutoffs:** dd

<b>Type:</b> RP	<b>Manufacturer:</b> Apollo/Conbraco	<b>Model:</b> 4020399T
<b>Size:</b> 1/2	<b>Orientation:</b>	<b>Meters:</b>
<b>Manual:</b>	<b>0.25% Pb:</b> No	<b>Spare Parts Only:</b> No
<b>Approved:</b>	<b>Renewed:</b>	<b>Bypass:</b>
<b>Notes:</b> model designation changed to RP40		

---

<b>Type:</b> RP	<b>Manufacturer:</b> Apollo/Conbraco	<b>Model:</b> 40203A2
<b>Size:</b> 1/2	<b>Orientation:</b> H	<b>Meters:</b>
<b>Manual:</b> 8	<b>0.25% Pb:</b> No	<b>Spare Parts Only:</b> Yes
<b>Approved:</b> 19-Apr-1996	<b>Renewed:</b> 19-Apr-2020	<b>Bypass:</b>
<b>Shutoffs:</b> dd		

---

<b>Type:</b> RP	<b>Manufacturer:</b> Apollo/Conbraco	<b>Model:</b> 40203A2S
<b>Size:</b> 1/2	<b>Orientation:</b>	<b>Meters:</b>
<b>Manual:</b>	<b>0.25% Pb:</b> No	<b>Spare Parts Only:</b> No
<b>Approved:</b>	<b>Renewed:</b>	<b>Bypass:</b>
<b>Notes:</b> model designation changed to RPS40		

---

<b>Type:</b> RP	<b>Manufacturer:</b> Apollo/Conbraco	<b>Model:</b> 40203T2
<b>Size:</b> 1/2	<b>Orientation:</b>	<b>Meters:</b>
<b>Manual:</b>	<b>0.25% Pb:</b> No	<b>Spare Parts Only:</b> No
<b>Approved:</b>	<b>Renewed:</b>	<b>Bypass:</b>
<b>Notes:</b> model designation changed to RP40		

---

<b>Type:</b> RP	<b>Manufacturer:</b> Apollo/Conbraco	<b>Model:</b> 40203T2S
<b>Size:</b> 1/2	<b>Orientation:</b>	<b>Meters:</b>
<b>Manual:</b>	<b>0.25% Pb:</b> No	<b>Spare Parts Only:</b> No
<b>Approved:</b>	<b>Renewed:</b>	<b>Bypass:</b>
<b>Notes:</b> model designation changed to RPS40		

---

<b>Type:</b> RP	<b>Manufacturer:</b> Apollo/Conbraco	<b>Model:</b> 4020402
<b>Size:</b> 3/4	<b>Orientation:</b> H	<b>Meters:</b>
<b>Manual:</b> 8	<b>0.25% Pb:</b> No	<b>Spare Parts Only:</b> Yes
<b>Approved:</b> 08-May-1989	<b>Renewed:</b> 08-May-2022	<b>Bypass:</b>
<b>Shutoffs:</b> dd		

---

<b>Type:</b> RP	<b>Manufacturer:</b> Apollo/Conbraco	<b>Model:</b> 40204A2
<b>Size:</b> 3/4	<b>Orientation:</b> H	<b>Meters:</b>
<b>Manual:</b> 8	<b>0.25% Pb:</b> No	<b>Spare Parts Only:</b> Yes
<b>Approved:</b> 27-Nov-1991	<b>Renewed:</b> 27-Nov-2021	<b>Bypass:</b>
<b>Shutoffs:</b> dd		

**Type:** RP                                    **Manufacturer:** Apollo/Conbraco                                    **Model:** 40204A2S  
**Size:** 3/4                                    **Orientation:**                                    **Meters:**  
**Manual:**                                    **0.25% Pb:** No                                    **Spare Parts Only:** No  
**Approved:**                                    **Renewed:**                                    **Bypass:**  
**Notes:** model designation changed to RPS40

---

**Type:** RP                                    **Manufacturer:** Apollo/Conbraco                                    **Model:** 40204A2U  
**Size:** 3/4                                    **Orientation:**                                    **Meters:**  
**Manual:**                                    **0.25% Pb:** No                                    **Spare Parts Only:** No  
**Approved:**                                    **Renewed:**                                    **Bypass:**  
**Notes:** model designation changed to RP40N

---

**Type:** RP                                    **Manufacturer:** Apollo/Conbraco                                    **Model:** 40204A2Z  
**Size:** 3/4                                    **Orientation:**                                    **Meters:**  
**Manual:**                                    **0.25% Pb:** No                                    **Spare Parts Only:** No  
**Approved:**                                    **Renewed:**                                    **Bypass:**  
**Notes:** model designation changed to RP40Z

---

**Type:** RP                                    **Manufacturer:** Apollo/Conbraco                                    **Model:** 40204T2  
**Size:** 3/4                                    **Orientation:**                                    **Meters:**  
**Manual:**                                    **0.25% Pb:** No                                    **Spare Parts Only:** No  
**Approved:**                                    **Renewed:**                                    **Bypass:**  
**Notes:** model designation changed to RP40

---

**Type:** RP                                    **Manufacturer:** Apollo/Conbraco                                    **Model:** 40204T2S  
**Size:** 3/4                                    **Orientation:**                                    **Meters:**  
**Manual:**                                    **0.25% Pb:** No                                    **Spare Parts Only:** No  
**Approved:**                                    **Renewed:**                                    **Bypass:**  
**Notes:** model designation changed to RPS40

---

**Type:** RP                                    **Manufacturer:** Apollo/Conbraco                                    **Model:** 40204TC2  
**Size:** 3/4                                    **Orientation:**                                    **Meters:**  
**Manual:**                                    **0.25% Pb:** No                                    **Spare Parts Only:** No  
**Approved:**                                    **Renewed:**                                    **Bypass:**  
**Notes:** model designation changed to RP40

---

**Type:** RP                                    **Manufacturer:** Apollo/Conbraco                                    **Model:** 40204TCU  
**Size:** 3/4                                    **Orientation:** VUVD                                    **Meters:**  
**Manual:** 8                                    **0.25% Pb:** No                                    **Spare Parts Only:** Yes  
**Approved:** 30-Nov-1998                                    **Renewed:** 30-Nov-2019                                    **Bypass:**  
**Shutoffs:** (dd)

**Type:** RP                                      **Manufacturer:** Apollo/Conbraco                                      **Model:** 4020502  
**Size:** 1    **Orientation:** H    **Meters:**  
**Manual:** 8    **0.25% Pb:** No    **Spare Parts Only:** Yes  
**Approved:** 08-May-1989                                      **Renewed:** 08-May-2022                                      **Bypass:**  
**Shutoffs:** dd

---

**Type:** RP                                      **Manufacturer:** Apollo/Conbraco                                      **Model:** 4020599T  
**Size:** 1    **Orientation:**  
**Manual:**    **0.25% Pb:** No    **Spare Parts Only:** No  
**Approved:**    **Renewed:**    **Bypass:**  
**Notes:** model designation changed to RP40

---

**Type:** RP                                      **Manufacturer:** Apollo/Conbraco                                      **Model:** 40205A2  
**Size:** 1    **Orientation:** H    **Meters:**  
**Manual:** 8    **0.25% Pb:** No    **Spare Parts Only:** Yes  
**Approved:** 27-Nov-1991                                      **Renewed:** 27-Nov-2021                                      **Bypass:**  
**Shutoffs:** dd

---

**Type:** RP                                      **Manufacturer:** Apollo/Conbraco                                      **Model:** 40205A2S  
**Size:** 1    **Orientation:**  
**Manual:**    **0.25% Pb:** No    **Spare Parts Only:** No  
**Approved:**    **Renewed:**    **Bypass:**  
**Notes:** model designation changed to RPS40

---

**Type:** RP                                      **Manufacturer:** Apollo/Conbraco                                      **Model:** 40205A2U  
**Size:** 1    **Orientation:**  
**Manual:**    **0.25% Pb:** No    **Spare Parts Only:** No  
**Approved:**    **Renewed:**    **Bypass:**  
**Notes:** model designation changed to 40205T2U

---

**Type:** RP                                      **Manufacturer:** Apollo/Conbraco                                      **Model:** 40205A2Z  
**Size:** 1    **Orientation:**  
**Manual:**    **0.25% Pb:** No    **Spare Parts Only:** No  
**Approved:**    **Renewed:**    **Bypass:**  
**Notes:** model designation changed to 40205T2Z

---

**Type:** RP                                      **Manufacturer:** Apollo/Conbraco                                      **Model:** 40205T2  
**Size:** 1    **Orientation:**  
**Manual:**    **0.25% Pb:** No    **Spare Parts Only:** No  
**Approved:**    **Renewed:**    **Bypass:**  
**Notes:** model designation changed to RP40

<b>Type:</b> RP	<b>Manufacturer:</b> Apollo/Conbraco	<b>Model:</b> 40205T2S
<b>Size:</b> 1	<b>Orientation:</b>	<b>Meters:</b>
<b>Manual:</b>	<b>0.25% Pb:</b> No	<b>Spare Parts Only:</b> No
<b>Approved:</b>	<b>Renewed:</b>	<b>Bypass:</b>
<b>Notes:</b> model designation changed to RPS40		

---

<b>Type:</b> RP	<b>Manufacturer:</b> Apollo/Conbraco	<b>Model:</b> 40205T2U
<b>Size:</b> 1	<b>Orientation:</b> VUVD	<b>Meters:</b>
<b>Manual:</b> 8	<b>0.25% Pb:</b> No	<b>Spare Parts Only:</b> Yes
<b>Approved:</b> 15-Sep-1993	<b>Renewed:</b> 15-Sep-2020	<b>Bypass:</b>
<b>Shutoffs:</b> (dd)		
<b>Notes:</b> formerly 40205A2U		

---

<b>Type:</b> RP	<b>Manufacturer:</b> Apollo/Conbraco	<b>Model:</b> 40205T2Z
<b>Size:</b> 1	<b>Orientation:</b> VUVU	<b>Meters:</b>
<b>Manual:</b> 8	<b>0.25% Pb:</b> No	<b>Spare Parts Only:</b> Yes
<b>Approved:</b> 15-Sep-1993	<b>Renewed:</b> 15-Sep-2020	<b>Bypass:</b>
<b>Shutoffs:</b> (dd)		
<b>Notes:</b> formerly 40205A2Z		

---

<b>Type:</b> RP	<b>Manufacturer:</b> Apollo/Conbraco	<b>Model:</b> 40205TC2
<b>Size:</b> 1	<b>Orientation:</b>	<b>Meters:</b>
<b>Manual:</b>	<b>0.25% Pb:</b> No	<b>Spare Parts Only:</b> No
<b>Approved:</b>	<b>Renewed:</b>	<b>Bypass:</b>
<b>Notes:</b> model designation changed to RP40		

---

<b>Type:</b> RP	<b>Manufacturer:</b> Apollo/Conbraco	<b>Model:</b> 40205TCU
<b>Size:</b> 1	<b>Orientation:</b> VUVD	<b>Meters:</b>
<b>Manual:</b> 8	<b>0.25% Pb:</b> No	<b>Spare Parts Only:</b> Yes
<b>Approved:</b> 30-Nov-1998	<b>Renewed:</b> 30-Nov-2019	<b>Bypass:</b>
<b>Shutoffs:</b> (dd)		

---

<b>Type:</b> RP	<b>Manufacturer:</b> Apollo/Conbraco	<b>Model:</b> 4020602
<b>Size:</b> 1 1/4	<b>Orientation:</b> H	<b>Meters:</b>
<b>Manual:</b> 8	<b>0.25% Pb:</b> No	<b>Spare Parts Only:</b> Yes
<b>Approved:</b> 06-Apr-1992	<b>Renewed:</b> 06-Apr-2022	<b>Bypass:</b>
<b>Shutoffs:</b> dd		

**Type:** RP                                      **Manufacturer:** Apollo/Conbraco                                      **Model:** 4020699T  
**Size:** 1 1/4                                      **Orientation:**                                      **Meters:**  
**Manual:**                                      **0.25% Pb:** No                                      **Spare Parts Only:** No  
**Approved:**                                      **Renewed:**                                      **Bypass:**  
**Notes:** model designation changed to RP40

---

**Type:** RP                                      **Manufacturer:** Apollo/Conbraco                                      **Model:** 40206A2  
**Size:** 1 1/4                                      **Orientation:** H                                      **Meters:**  
**Manual:** 8                                      **0.25% Pb:** No                                      **Spare Parts Only:** Yes  
**Approved:** 21-Jun-1993                                      **Renewed:** 21-Jun-2020                                      **Bypass:**  
**Shutoffs:** dd

---

**Type:** RP                                      **Manufacturer:** Apollo/Conbraco                                      **Model:** 40206A2U  
**Size:** 1 1/4                                      **Orientation:**                                      **Meters:**  
**Manual:**                                      **0.25% Pb:** No                                      **Spare Parts Only:** No  
**Approved:**                                      **Renewed:**                                      **Bypass:**  
**Notes:** model designation changed to RP40N

---

**Type:** RP                                      **Manufacturer:** Apollo/Conbraco                                      **Model:** 40206A2Z  
**Size:** 1 1/4                                      **Orientation:**                                      **Meters:**  
**Manual:**                                      **0.25% Pb:** No                                      **Spare Parts Only:** No  
**Approved:**                                      **Renewed:**                                      **Bypass:**  
**Notes:** model designation changed to RP40Z

---

**Type:** RP                                      **Manufacturer:** Apollo/Conbraco                                      **Model:** 40206T2  
**Size:** 1 1/4                                      **Orientation:**                                      **Meters:**  
**Manual:**                                      **0.25% Pb:** No                                      **Spare Parts Only:** No  
**Approved:**                                      **Renewed:**                                      **Bypass:**  
**Notes:** model designation changed to RP40

---

**Type:** RP                                      **Manufacturer:** Apollo/Conbraco                                      **Model:** 40206T2U  
**Size:** 1 1/4                                      **Orientation:**                                      **Meters:**  
**Manual:**                                      **0.25% Pb:** No                                      **Spare Parts Only:** No  
**Approved:**                                      **Renewed:**                                      **Bypass:**  
**Notes:** model designation changed to RP40N

---

**Type:** RP                                      **Manufacturer:** Apollo/Conbraco                                      **Model:** 40206T2Z  
**Size:** 1 1/4                                      **Orientation:**                                      **Meters:**  
**Manual:**                                      **0.25% Pb:** No                                      **Spare Parts Only:** No  
**Approved:**                                      **Renewed:**                                      **Bypass:**  
**Notes:** model designation changed to RP40Z



**Type:** RP                                    **Manufacturer:** Apollo/Conbraco                                    **Model:** 4020702  
**Size:** 1 1/2                                    **Orientation:** H                                    **Meters:**  
**Manual:** 8                                    **0.25% Pb:** No                                    **Spare Parts Only:** Yes  
**Approved:** 17-Mar-1989                                    **Renewed:** 17-Mar-2022                                    **Bypass:**  
**Shutoffs:** dd

---

**Type:** RP                                    **Manufacturer:** Apollo/Conbraco                                    **Model:** 4020799T  
**Size:** 1 1/2                                    **Orientation:**  
**Manual:**                                    **0.25% Pb:** No                                    **Spare Parts Only:** No  
**Approved:**                                    **Renewed:**                                    **Bypass:**  
**Notes:** model designation changed to RP40

---

**Type:** RP                                    **Manufacturer:** Apollo/Conbraco                                    **Model:** 40207A2  
**Size:** 1 1/2                                    **Orientation:** H                                    **Meters:**  
**Manual:** 8                                    **0.25% Pb:** No                                    **Spare Parts Only:** Yes  
**Approved:** 16-Sep-1992                                    **Renewed:** 16-Sep-2019                                    **Bypass:**  
**Shutoffs:** dd

---

**Type:** RP                                    **Manufacturer:** Apollo/Conbraco                                    **Model:** 40207A2U  
**Size:** 1 1/2                                    **Orientation:**  
**Manual:**                                    **0.25% Pb:** No                                    **Spare Parts Only:** No  
**Approved:**                                    **Renewed:**                                    **Bypass:**  
**Notes:** model designation changed to RP40U

---

**Type:** RP                                    **Manufacturer:** Apollo/Conbraco                                    **Model:** 40207A2Z  
**Size:** 1 1/2                                    **Orientation:**  
**Manual:**                                    **0.25% Pb:** No                                    **Spare Parts Only:** No  
**Approved:**                                    **Renewed:**                                    **Bypass:**  
**Notes:** model designation changed to RP40Z

---

**Type:** RP                                    **Manufacturer:** Apollo/Conbraco                                    **Model:** 40207T2  
**Size:** 1 1/2                                    **Orientation:**  
**Manual:**                                    **0.25% Pb:** No                                    **Spare Parts Only:** No  
**Approved:**                                    **Renewed:**                                    **Bypass:**  
**Notes:** model designation changed to RP40

---

**Type:** RP                                    **Manufacturer:** Apollo/Conbraco                                    **Model:** 40207T2U  
**Size:** 1 1/2                                    **Orientation:**  
**Manual:**                                    **0.25% Pb:** No                                    **Spare Parts Only:** No  
**Approved:**                                    **Renewed:**                                    **Bypass:**  
**Notes:** model designation changed to RP40U

**Type:** RP   **Manufacturer:** Apollo/Conbraco                                 **Model:** 40207T2Z  
**Size:** 1 1/2   **Orientation:**   **Meters:**  
**Manual:**   **0.25% Pb:** No   **Spare Parts Only:** No  
**Approved:**   **Renewed:**   **Bypass:**  
**Notes:** model designation changed to RP40Z

---

**Type:** RP   **Manufacturer:** Apollo/Conbraco                                 **Model:** 4020802  
**Size:** 2   **Orientation:** H   **Meters:**  
**Manual:** 8   **0.25% Pb:** No   **Spare Parts Only:** Yes  
**Approved:** 17-Mar-1989                                   **Renewed:** 17-Mar-2022                                     **Bypass:**  
**Shutoffs:** dd

---

**Type:** RP   **Manufacturer:** Apollo/Conbraco                                 **Model:** 4020899T  
**Size:** 2   **Orientation:**   **Meters:**  
**Manual:**   **0.25% Pb:** No   **Spare Parts Only:** No  
**Approved:**   **Renewed:**   **Bypass:**  
**Notes:** model designation changed to RP40

---

**Type:** RP   **Manufacturer:** Apollo/Conbraco                                 **Model:** 40208A2  
**Size:** 2   **Orientation:** H   **Meters:**  
**Manual:** 8   **0.25% Pb:** No   **Spare Parts Only:** Yes  
**Approved:** 16-Sep-1992                                   **Renewed:** 16-Sep-2019                                     **Bypass:**  
**Shutoffs:** dd

---

**Type:** RP   **Manufacturer:** Apollo/Conbraco                                 **Model:** 40208A2U  
**Size:** 2   **Orientation:**   **Meters:**  
**Manual:**   **0.25% Pb:** No   **Spare Parts Only:** No  
**Approved:**   **Renewed:**   **Bypass:**  
**Notes:** model designation changed to RP40U

---

**Type:** RP   **Manufacturer:** Apollo/Conbraco                                 **Model:** 40208A4  
**Size:** 2   **Orientation:** H   **Meters:**  
**Manual:** 8   **0.25% Pb:** No   **Spare Parts Only:** Yes  
**Approved:** 24-May-2000                                   **Renewed:** 24-May-2021                                     **Bypass:**  
**Shutoffs:** rrr

---

**Type:** RP   **Manufacturer:** Apollo/Conbraco                                 **Model:** 40208AZ2  
**Size:** 2   **Orientation:**   **Meters:**  
**Manual:**   **0.25% Pb:** No   **Spare Parts Only:** No  
**Approved:**   **Renewed:**   **Bypass:**  
**Notes:** model designation changed to RP40Z

**Type:** RP                                      **Manufacturer:** Apollo/Conbraco                                      **Model:** 40208T2  
**Size:** 2                                      **Orientation:**                                      **Meters:**  
**Manual:**                                      **0.25% Pb:** No                                      **Spare Parts Only:** No  
**Approved:**                                      **Renewed:**                                      **Bypass:**  
**Notes:** model designation changed to RP40

---

**Type:** RP                                      **Manufacturer:** Apollo/Conbraco                                      **Model:** 40208T2U  
**Size:** 2                                      **Orientation:**                                      **Meters:**  
**Manual:**                                      **0.25% Pb:** No                                      **Spare Parts Only:** No  
**Approved:**                                      **Renewed:**                                      **Bypass:**  
**Notes:** model designation changed to RP40U

---

**Type:** RP                                      **Manufacturer:** Apollo/Conbraco                                      **Model:** 40208T2Z  
**Size:** 2                                      **Orientation:**                                      **Meters:**  
**Manual:**                                      **0.25% Pb:** No                                      **Spare Parts Only:** No  
**Approved:**                                      **Renewed:**                                      **Bypass:**  
**Notes:** model designation changed to RP40Z

---

**Type:** RP                                      **Manufacturer:** Apollo/Conbraco                                      **Model:** 4020902  
**Size:** 2 1/2                                      **Orientation:**                                      **Meters:**  
**Manual:**                                      **0.25% Pb:** No                                      **Spare Parts Only:** No  
**Approved:**                                      **Renewed:**                                      **Bypass:**  
**Notes:** model designation changed to RP40

---

**Type:** RP                                      **Manufacturer:** Apollo/Conbraco                                      **Model:** 4020903  
**Size:** 2 1/2                                      **Orientation:**                                      **Meters:**  
**Manual:**                                      **0.25% Pb:** No                                      **Spare Parts Only:** No  
**Approved:**                                      **Renewed:**                                      **Bypass:**  
**Notes:** model designation changed to RP40

---

**Type:** RP                                      **Manufacturer:** Apollo/Conbraco                                      **Model:** 4020905  
**Size:** 2 1/2                                      **Orientation:**                                      **Meters:**  
**Manual:**                                      **0.25% Pb:** No                                      **Spare Parts Only:** No  
**Approved:**                                      **Renewed:**                                      **Bypass:**  
**Notes:** model designation changed to RP40

---

**Type:** RP                                      **Manufacturer:** Apollo/Conbraco                                      **Model:** 4020A02  
**Size:** 4                                      **Orientation:**                                      **Meters:**  
**Manual:**                                      **0.25% Pb:** No                                      **Spare Parts Only:** No  
**Approved:**                                      **Renewed:**                                      **Bypass:**  
**Notes:** model designation changed to RP40

<b>Type:</b> RP	<b>Manufacturer:</b> Apollo/Conbraco	<b>Model:</b> 4020A03
<b>Size:</b> 4	<b>Orientation:</b>	<b>Meters:</b>
<b>Manual:</b>	<b>0.25% Pb:</b> No	<b>Spare Parts Only:</b> No
<b>Approved:</b>	<b>Renewed:</b>	<b>Bypass:</b>

**Notes:** model designation changed to RP40

---

<b>Type:</b> RP	<b>Manufacturer:</b> Apollo/Conbraco	<b>Model:</b> 4020A05
<b>Size:</b> 4	<b>Orientation:</b>	<b>Meters:</b>
<b>Manual:</b>	<b>0.25% Pb:</b> No	<b>Spare Parts Only:</b> No
<b>Approved:</b>	<b>Renewed:</b>	<b>Bypass:</b>

**Notes:** model designation changed to RP40

---

<b>Type:</b> RP	<b>Manufacturer:</b> Apollo/Conbraco	<b>Model:</b> 4020C02
<b>Size:</b> 6	<b>Orientation:</b>	<b>Meters:</b>
<b>Manual:</b>	<b>0.25% Pb:</b> No	<b>Spare Parts Only:</b> No
<b>Approved:</b>	<b>Renewed:</b>	<b>Bypass:</b>

**Notes:** model designation changed to RP40

---

<b>Type:</b> RP	<b>Manufacturer:</b> Apollo/Conbraco	<b>Model:</b> 4020C03
<b>Size:</b> 6	<b>Orientation:</b>	<b>Meters:</b>
<b>Manual:</b>	<b>0.25% Pb:</b> No	<b>Spare Parts Only:</b> No
<b>Approved:</b>	<b>Renewed:</b>	<b>Bypass:</b>

**Notes:** model designation changed to RP40

---

<b>Type:</b> RP	<b>Manufacturer:</b> Apollo/Conbraco	<b>Model:</b> 4020C05
<b>Size:</b> 6	<b>Orientation:</b>	<b>Meters:</b>
<b>Manual:</b>	<b>0.25% Pb:</b> No	<b>Spare Parts Only:</b> No
<b>Approved:</b>	<b>Renewed:</b>	<b>Bypass:</b>

**Notes:** model designation changed to RP40

---

<b>Type:</b> RP	<b>Manufacturer:</b> Apollo/Conbraco	<b>Model:</b> 4020E02
<b>Size:</b> 8	<b>Orientation:</b>	<b>Meters:</b>
<b>Manual:</b>	<b>0.25% Pb:</b> No	<b>Spare Parts Only:</b> No
<b>Approved:</b>	<b>Renewed:</b>	<b>Bypass:</b>

**Notes:** model designation changed to RP40

---

<b>Type:</b> RP	<b>Manufacturer:</b> Apollo/Conbraco	<b>Model:</b> 4020E03
<b>Size:</b> 8	<b>Orientation:</b>	<b>Meters:</b>
<b>Manual:</b>	<b>0.25% Pb:</b> No	<b>Spare Parts Only:</b> No
<b>Approved:</b>	<b>Renewed:</b>	<b>Bypass:</b>

**Notes:** model designation changed to RP40

**Type:** RP                                      **Manufacturer:** Apollo/Conbraco                                      **Model:** 4020G02  
**Size:** 10                                      **Orientation:**                                      **Meters:**  
**Manual:**                                      **0.25% Pb:** No                                      **Spare Parts Only:** No  
**Approved:**                                      **Renewed:**                                      **Bypass:**  
**Notes:** model designation changed to RP40

---

**Type:** RP                                      **Manufacturer:** Apollo/Conbraco                                      **Model:** 4020G03  
**Size:** 10                                      **Orientation:**                                      **Meters:**  
**Manual:**                                      **0.25% Pb:** No                                      **Spare Parts Only:** No  
**Approved:**                                      **Renewed:**                                      **Bypass:**  
**Notes:** model designation changed to RP40

---

**Type:** RP                                      **Manufacturer:** Apollo/Conbraco                                      **Model:** 4D-200  
**Size:** 2 1/2                                      **Orientation:** H                                      **Meters:**  
**Manual:** 9                                      **0.25% Pb:** No                                      **Spare Parts Only:** Yes  
**Approved:** 11-Mar-2009                                      **Renewed:** 11-Mar-2021                                      **Bypass:**  
**Shutoffs:** (yyy), cccc, dddd

---

**Type:** RP                                      **Manufacturer:** Apollo/Conbraco                                      **Model:** 4D-200  
**Size:** 3                                      **Orientation:** H                                      **Meters:**  
**Manual:** 9                                      **0.25% Pb:** No                                      **Spare Parts Only:** Yes  
**Approved:** 11-Mar-2009                                      **Renewed:** 11-Mar-2021                                      **Bypass:**  
**Shutoffs:** (yyy), cccc, dddd

---

**Type:** RP                                      **Manufacturer:** Apollo/Conbraco                                      **Model:** 4D-200  
**Size:** 4                                      **Orientation:** H                                      **Meters:**  
**Manual:** 9                                      **0.25% Pb:** No                                      **Spare Parts Only:** Yes  
**Approved:** 11-Mar-2009                                      **Renewed:** 11-Mar-2021                                      **Bypass:**  
**Shutoffs:** (yyy), cccc, dddd

---

**Type:** RP                                      **Manufacturer:** Apollo/Conbraco                                      **Model:** 4D-200U  
**Size:** 2 1/2                                      **Orientation:** VUVD                                      **Meters:**  
**Manual:** 9                                      **0.25% Pb:** No                                      **Spare Parts Only:** Yes  
**Approved:** 11-Mar-2009                                      **Renewed:** 11-Mar-2021                                      **Bypass:**  
**Shutoffs:** (yyy), cccc, dddd

---

**Type:** RP                                      **Manufacturer:** Apollo/Conbraco                                      **Model:** 4D-200U  
**Size:** 3                                      **Orientation:** VUVD                                      **Meters:**  
**Manual:** 9                                      **0.25% Pb:** No                                      **Spare Parts Only:** Yes  
**Approved:** 11-Mar-2009                                      **Renewed:** 11-Mar-2021                                      **Bypass:**  
**Shutoffs:** (yyy), cccc, dddd

**Type:** RP                                      **Manufacturer:** Apollo/Conbraco                                      **Model:** 4D-200U  
**Size:** 4    **Orientation:** VUVD    **Meters:**  
**Manual:** 9    **0.25% Pb:** No    **Spare Parts Only:** Yes  
**Approved:** 11-Mar-2009                                      **Renewed:** 11-Mar-2021                                      **Bypass:**  
**Shutoffs:** (yyy), cccc, dddd

---

**Type:** RP                                      **Manufacturer:** Apollo/Conbraco                                      **Model:** RP40  
**Size:** 1/4    **Orientation:** H    **Meters:**  
**Manual:** 8    **0.25% Pb:** No    **Spare Parts Only:** Yes  
**Approved:** 16-Sep-1998                                      **Renewed:** 16-Sep-2019                                      **Bypass:**  
**Shutoffs:** (dd)  
**Notes:** formerly 4020199T, 40201T2

---

**Type:** RP                                      **Manufacturer:** Apollo/Conbraco                                      **Model:** RP40  
**Size:** 3/8    **Orientation:** H    **Meters:**  
**Manual:** 8    **0.25% Pb:** No    **Spare Parts Only:** Yes  
**Approved:** 16-Sep-1998                                      **Renewed:** 16-Sep-2019                                      **Bypass:**  
**Shutoffs:** (dd)  
**Notes:** formerly 4020299T, 40202T2

---

**Type:** RP                                      **Manufacturer:** Apollo/Conbraco                                      **Model:** RP40  
**Size:** 1/2    **Orientation:** H    **Meters:**  
**Manual:** 8    **0.25% Pb:** No    **Spare Parts Only:** Yes  
**Approved:** 15-Sep-1994                                      **Renewed:** 15-Sep-2019                                      **Bypass:**  
**Shutoffs:** (dd)  
**Notes:** formerly 4020399T, 40203T2

---

**Type:** RP                                      **Manufacturer:** Apollo/Conbraco                                      **Model:** RP40  
**Size:** 3/4    **Orientation:** H    **Meters:**  
**Manual:** 8    **0.25% Pb:** No    **Spare Parts Only:** Yes  
**Approved:** 16-Sep-1998                                      **Renewed:** 16-Sep-2019                                      **Bypass:**  
**Shutoffs:** (dd)  
**Notes:** formerly 2020499T, 40204T2, 40204TC2

---

**Type:** RP                                      **Manufacturer:** Apollo/Conbraco                                      **Model:** RP40  
**Size:** 1    **Orientation:** H    **Meters:**  
**Manual:** 8    **0.25% Pb:** No    **Spare Parts Only:** Yes  
**Approved:** 16-Sep-1998                                      **Renewed:** 16-Sep-2019                                      **Bypass:**  
**Shutoffs:** (dd)  
**Notes:** formerly 4020599T, 40205T2, 40205TC2

**Type:** RP  
**Size:** 1 1/4  
**Manual:** 8  
**Approved:** 16-Sep-1998  
**Shutoffs:** (dd)  
**Notes:** formerly 4020699T, 40206T2

**Manufacturer:** Apollo/Conbraco  
**Orientation:** H  
**0.25% Pb:** No  
**Renewed:** 16-Sep-2019

**Model:** RP40  
**Meters:**  
**Spare Parts Only:** Yes  
**Bypass:**

---

**Type:** RP  
**Size:** 1 1/2  
**Manual:** 8  
**Approved:** 16-Sep-1998  
**Shutoffs:** (dd)  
**Notes:** formerly 4020799T, 40207T2

**Manufacturer:** Apollo/Conbraco  
**Orientation:** H  
**0.25% Pb:** No  
**Renewed:** 16-Sep-2019

**Model:** RP40  
**Meters:**  
**Spare Parts Only:** Yes  
**Bypass:**

---

**Type:** RP  
**Size:** 2  
**Manual:** 8  
**Approved:** 16-Sep-1998  
**Shutoffs:** (dd)  
**Notes:** formerly 4020899T, 40208T2

**Manufacturer:** Apollo/Conbraco  
**Orientation:** H  
**0.25% Pb:** No  
**Renewed:** 16-Sep-2019

**Model:** RP40  
**Meters:**  
**Spare Parts Only:** Yes  
**Bypass:**

---

**Type:** RP  
**Size:** 2 1/2  
**Manual:** 8  
**Approved:** 08-Apr-1991  
**Shutoffs:** (tt),bb,cc,ee,ll,mm,uu,mmm  
**Notes:** formerly 4020902, 4020903, 4020905

**Manufacturer:** Apollo/Conbraco  
**Orientation:** H  
**0.25% Pb:** No  
**Renewed:** 08-Apr-2021

**Model:** RP40  
**Meters:**  
**Spare Parts Only:** Yes  
**Bypass:**

---

**Type:** RP  
**Size:** 3  
**Manual:** 8  
**Approved:** 08-Apr-1991  
**Shutoffs:** (tt),bb,cc,ee,ll,mm,uu,mmm  
**Notes:** formerly 4020002, 4020003, 4020005

**Manufacturer:** Apollo/Conbraco  
**Orientation:** H  
**0.25% Pb:** No  
**Renewed:** 08-Apr-2021

**Model:** RP40  
**Meters:**  
**Spare Parts Only:** Yes  
**Bypass:**

---

**Type:** RP  
**Size:** 4  
**Manual:** 8  
**Approved:** 08-Apr-1991  
**Shutoffs:** (tt),bb,cc,ee,ll,mm,uu,mmm  
**Notes:** formerly 4020A02, 4020A03, 4020A05

**Manufacturer:** Apollo/Conbraco  
**Orientation:** H  
**0.25% Pb:** No  
**Renewed:** 08-Apr-2021

**Model:** RP40  
**Meters:**  
**Spare Parts Only:** Yes  
**Bypass:**

**Type:** RP  
**Size:** 6  
**Manual:** 8  
**Approved:** 08-Apr-1991  
**Shutoffs:** (tt),bb,ee,ll  
**Notes:** formerly 4020C02, 4020C03, 4020C05

**Manufacturer:** Apollo/Conbraco  
**Orientation:** H  
**0.25% Pb:** No  
**Renewed:** 08-Apr-2021

**Model:** RP40  
**Meters:**  
**Spare Parts Only:** Yes  
**Bypass:**

---

**Type:** RP  
**Size:** 8  
**Manual:** 8  
**Approved:** 22-Oct-1991  
**Shutoffs:** (tt),bb,cc,ee,ll,mm,uu  
**Notes:** formerly 4020E02, 4020E03

**Manufacturer:** Apollo/Conbraco  
**Orientation:** H  
**0.25% Pb:** No  
**Renewed:** 22-Oct-2021

**Model:** RP40  
**Meters:**  
**Spare Parts Only:** Yes  
**Bypass:**

---

**Type:** RP  
**Size:** 10  
**Manual:** 8  
**Approved:** 13-Apr-1993  
**Shutoffs:** (tt),bb,cc,ee,ll,mm,uu  
**Notes:** formerly 4020G02, 4020G03

**Manufacturer:** Apollo/Conbraco  
**Orientation:** H  
**0.25% Pb:** No  
**Renewed:** 13-Apr-2020

**Model:** RP40  
**Meters:**  
**Spare Parts Only:** Yes  
**Bypass:**

---

**Type:** RP  
**Size:** 3/4  
**Manual:** 8  
**Approved:** 06-Nov-1992  
**Shutoffs:** (dd)  
**Notes:** formerly 40204A2U

**Manufacturer:** Apollo/Conbraco  
**Orientation:** VUVD  
**0.25% Pb:** No  
**Renewed:** 06-Nov-2019

**Model:** RP40N  
**Meters:**  
**Spare Parts Only:** Yes  
**Bypass:**

---

**Type:** RP  
**Size:** 1 1/4  
**Manual:** 8  
**Approved:** 02-Feb-1995  
**Shutoffs:** (dd)  
**Notes:** formerly 40206A2U, 40206T2U

**Manufacturer:** Apollo/Conbraco  
**Orientation:** VUVD  
**0.25% Pb:** No  
**Renewed:** 02-Feb-2022

**Model:** RP40N  
**Meters:**  
**Spare Parts Only:** Yes  
**Bypass:**

---

**Type:** RP  
**Size:** 1 1/2  
**Manual:** 8  
**Approved:** 02-Feb-1995  
**Shutoffs:** (dd)  
**Notes:** formerly 40207A2U, 40207T2U

**Manufacturer:** Apollo/Conbraco  
**Orientation:** VUVD  
**0.25% Pb:** No  
**Renewed:** 02-Feb-2022

**Model:** RP40U  
**Meters:**  
**Spare Parts Only:** Yes  
**Bypass:**



**Type:** RP                                   **Manufacturer:** Apollo/Conbraco                                   **Model:** RP40U  
**Size:** 2                                       **Orientation:** VUVD   **Meters:**  
**Manual:** 8                                   **0.25% Pb:** No   **Spare Parts Only:** Yes  
**Approved:** 02-Feb-1995                   **Renewed:** 02-Feb-2022   **Bypass:**  
**Shutoffs:** (dd)  
**Notes:** formerly 40208A2U, 40208T2U

---

**Type:** RP                                   **Manufacturer:** Apollo/Conbraco                                   **Model:** RP40Z  
**Size:** 3/4                                     **Orientation:** VUVU   **Meters:**  
**Manual:** 8                                   **0.25% Pb:** No   **Spare Parts Only:** Yes  
**Approved:** 06-Nov-1992                   **Renewed:** 06-Nov-2019   **Bypass:**  
**Shutoffs:** (dd)  
**Notes:** formerly 40204A2Z

---

**Type:** RP                                   **Manufacturer:** Apollo/Conbraco                                   **Model:** RP40Z  
**Size:** 1 1/4                                   **Orientation:** VUVU   **Meters:**  
**Manual:** 8                                   **0.25% Pb:** No   **Spare Parts Only:** Yes  
**Approved:** 02-Feb-1995                   **Renewed:** 02-Feb-2022   **Bypass:**  
**Shutoffs:** (dd)  
**Notes:** formerly 40206A2Z, 40206T2Z

---

**Type:** RP                                   **Manufacturer:** Apollo/Conbraco                                   **Model:** RP40Z  
**Size:** 1 1/2                                   **Orientation:** VUVU   **Meters:**  
**Manual:** 8                                   **0.25% Pb:** No   **Spare Parts Only:** Yes  
**Approved:** 02-Feb-1995                   **Renewed:** 02-Feb-2022   **Bypass:**  
**Shutoffs:** (dd)  
**Notes:** formerly 40207A2Z, 40207T2Z

---

**Type:** RP                                   **Manufacturer:** Apollo/Conbraco                                   **Model:** RP40Z  
**Size:** 2                                       **Orientation:** VUVU   **Meters:**  
**Manual:** 8                                   **0.25% Pb:** No   **Spare Parts Only:** Yes  
**Approved:** 02-Feb-1995                   **Renewed:** 02-Feb-2022   **Bypass:**  
**Shutoffs:** (dd)  
**Notes:** formerly 40208AZ2, 40208T2Z

---

**Type:** RP                                   **Manufacturer:** Apollo/Conbraco                                   **Model:** RP4A  
**Size:** 1/2                                     **Orientation:** H   **Meters:**  
**Manual:** 9                                   **0.25% Pb:** No   **Spare Parts Only:** No  
**Approved:** 29-Nov-2011                   **Renewed:** 29-Nov-2020   **Bypass:**  
**Shutoffs:** (iiii),sssss

**Type:** RP  
**Size:** 3/4  
**Manual:** 9  
**Approved:** 14-Jun-2011  
**Shutoffs:** (iiii),sssss,wwwww

**Manufacturer:** Apollo/Conbraco  
**Orientation:** H  
**0.25% Pb:** No  
**Renewed:** 14-Jun-2020

**Model:** RP4A  
**Meters:**  
**Spare Parts Only:** No  
**Bypass:**

---

**Type:** RP  
**Size:** 1  
**Manual:** 9  
**Approved:** 27-Sep-2011  
**Shutoffs:** (iiii),sssss,wwwww

**Manufacturer:** Apollo/Conbraco  
**Orientation:** H  
**0.25% Pb:** No  
**Renewed:** 27-Sep-2020

**Model:** RP4A  
**Meters:**  
**Spare Parts Only:** No  
**Bypass:**

---

**Type:** RP  
**Size:** 1 1/4  
**Manual:** 9  
**Approved:** 11-Dec-2013  
**Shutoffs:** (iiii),sssss,wwwww

**Manufacturer:** Apollo/Conbraco  
**Orientation:** H  
**0.25% Pb:** No  
**Renewed:** 11-Dec-2019

**Model:** RP4A  
**Meters:**  
**Spare Parts Only:** No  
**Bypass:**

---

**Type:** RP  
**Size:** 1 1/2  
**Manual:** 9  
**Approved:** 11-Dec-2013  
**Shutoffs:** (iiii),sssss,wwwww

**Manufacturer:** Apollo/Conbraco  
**Orientation:** H  
**0.25% Pb:** No  
**Renewed:** 11-Dec-2019

**Model:** RP4A  
**Meters:**  
**Spare Parts Only:** No  
**Bypass:**

---

**Type:** RP  
**Size:** 2  
**Manual:** 9  
**Approved:** 29-Nov-2011  
**Shutoffs:** (iiii),sssss,wwwww

**Manufacturer:** Apollo/Conbraco  
**Orientation:** H  
**0.25% Pb:** No  
**Renewed:** 29-Nov-2020

**Model:** RP4A  
**Meters:**  
**Spare Parts Only:** No  
**Bypass:**

---

**Type:** RP  
**Size:** 3/4  
**Manual:** 10  
**Approved:** 16-Jan-2020  
**Shutoffs:** (sssss), wwwwww

**Manufacturer:** Apollo/Conbraco  
**Orientation:** VUVD  
**0.25% Pb:** No  
**Renewed:**

**Model:** RP4AN  
**Meters:**  
**Spare Parts Only:** No  
**Bypass:**

---

**Type:** RP  
**Size:** 1  
**Manual:** 10  
**Approved:** 16-Jan-2019  
**Shutoffs:** (sssss), wwwwww

**Manufacturer:** Apollo/Conbraco  
**Orientation:** VUVD  
**0.25% Pb:** No  
**Renewed:** 16-Jan-2022

**Model:** RP4AN  
**Meters:**  
**Spare Parts Only:** No  
**Bypass:**

**Type:** RP **Manufacturer:** Apollo/Conbraco **Model:** RPLF40  
**Size:** 1/2 **Orientation:** H **Meters:**  
**Manual:** 9 **0.25% Pb:** Yes **Spare Parts Only:** Yes  
**Approved:** 18-Nov-2010 **Renewed:** 18-Nov-2019 **Bypass:**  
**Shutoffs:** (jjjj)

---

**Type:** RP **Manufacturer:** Apollo/Conbraco **Model:** RPLF40  
**Size:** 1 1/4 **Orientation:** H **Meters:**  
**Manual:** 9 **0.25% Pb:** Yes **Spare Parts Only:** Yes  
**Approved:** 18-Nov-2010 **Renewed:** 18-Nov-2019 **Bypass:**  
**Shutoffs:** (jjjj)

---

**Type:** RP **Manufacturer:** Apollo/Conbraco **Model:** RPLF40  
**Size:** 1 1/2 **Orientation:** H **Meters:**  
**Manual:** 9 **0.25% Pb:** Yes **Spare Parts Only:** Yes  
**Approved:** 18-Nov-2010 **Renewed:** 18-Nov-2019 **Bypass:**  
**Shutoffs:** (jjjj)

---

**Type:** RP **Manufacturer:** Apollo/Conbraco **Model:** RPLF40  
**Size:** 2 **Orientation:** H **Meters:**  
**Manual:** 9 **0.25% Pb:** Yes **Spare Parts Only:** Yes  
**Approved:** 18-Nov-2010 **Renewed:** 18-Nov-2019 **Bypass:**  
**Shutoffs:** (jjjj)

---

**Type:** RP **Manufacturer:** Apollo/Conbraco **Model:** RPLF4A  
**Size:** 1/2 **Orientation:** H **Meters:**  
**Manual:** 9 **0.25% Pb:** Yes **Spare Parts Only:** No  
**Approved:** 29-Nov-2011 **Renewed:** 29-Nov-2020 **Bypass:**  
**Shutoffs:** (jjjj),tttt,uuuu

---

**Type:** RP **Manufacturer:** Apollo/Conbraco **Model:** RPLF4A  
**Size:** 3/4 **Orientation:** H **Meters:**  
**Manual:** 9 **0.25% Pb:** Yes **Spare Parts Only:** No  
**Approved:** 14-Jun-2011 **Renewed:** 14-Jun-2020 **Bypass:**  
**Shutoffs:** (jjjj),tttt,vvvv

---

**Type:** RP **Manufacturer:** Apollo/Conbraco **Model:** RPLF4A  
**Size:** 1 **Orientation:** H **Meters:**  
**Manual:** 9 **0.25% Pb:** Yes **Spare Parts Only:** No  
**Approved:** 27-Sep-2011 **Renewed:** 27-Sep-2020 **Bypass:**  
**Shutoffs:** (jjjj),tttt,vvvv

<b>Type:</b> RP	<b>Manufacturer:</b> Apollo/Conbraco	<b>Model:</b> RPLF4A
<b>Size:</b> 1 1/4	<b>Orientation:</b> H	<b>Meters:</b>
<b>Manual:</b> 9	<b>0.25% Pb:</b> Yes	<b>Spare Parts Only:</b> No
<b>Approved:</b> 11-Dec-2013	<b>Renewed:</b> 11-Dec-2019	<b>Bypass:</b>
<b>Shutoffs:</b> (jjjjj),ttttt,vvvvv		

---

<b>Type:</b> RP	<b>Manufacturer:</b> Apollo/Conbraco	<b>Model:</b> RPLF4A
<b>Size:</b> 1 1/2	<b>Orientation:</b> H	<b>Meters:</b>
<b>Manual:</b> 9	<b>0.25% Pb:</b> Yes	<b>Spare Parts Only:</b> No
<b>Approved:</b> 11-Dec-2013	<b>Renewed:</b> 11-Dec-2019	<b>Bypass:</b>
<b>Shutoffs:</b> (jjjjj),ttttt,vvvvv		

---

<b>Type:</b> RP	<b>Manufacturer:</b> Apollo/Conbraco	<b>Model:</b> RPLF4A
<b>Size:</b> 2	<b>Orientation:</b> H	<b>Meters:</b>
<b>Manual:</b> 9	<b>0.25% Pb:</b> Yes	<b>Spare Parts Only:</b> No
<b>Approved:</b> 29-Nov-2011	<b>Renewed:</b> 29-Nov-2020	<b>Bypass:</b>
<b>Shutoffs:</b> (jjjjj),ttttt,vvvvv		

---

<b>Type:</b> RP	<b>Manufacturer:</b> Apollo/Conbraco	<b>Model:</b> RPLF4A
<b>Size:</b> 2 1/2	<b>Orientation:</b> H	<b>Meters:</b>
<b>Manual:</b> 10	<b>0.25% Pb:</b> Yes	<b>Spare Parts Only:</b> No
<b>Approved:</b> 25-Feb-2014	<b>Renewed:</b> 25-Feb-2020	<b>Bypass:</b>
<b>Shutoffs:</b> (yyy), cccc, dddd, mmmm, nnnn, xxxxx, yyyyy, zzzzz, aaaaaa, xxxxxx		

---

<b>Type:</b> RP	<b>Manufacturer:</b> Apollo/Conbraco	<b>Model:</b> RPLF4A
<b>Size:</b> 3	<b>Orientation:</b> H	<b>Meters:</b>
<b>Manual:</b> 10	<b>0.25% Pb:</b> Yes	<b>Spare Parts Only:</b> No
<b>Approved:</b> 25-Feb-2014	<b>Renewed:</b> 25-Feb-2020	<b>Bypass:</b>
<b>Shutoffs:</b> (yyy), cccc, dddd, mmmm, nnnn, xxxxx, yyyyy, zzzzz, aaaaaa, xxxxxx		

---

<b>Type:</b> RP	<b>Manufacturer:</b> Apollo/Conbraco	<b>Model:</b> RPLF4A
<b>Size:</b> 4	<b>Orientation:</b> H	<b>Meters:</b>
<b>Manual:</b> 10	<b>0.25% Pb:</b> Yes	<b>Spare Parts Only:</b> No
<b>Approved:</b> 24-Jun-2013	<b>Renewed:</b> 24-Jun-2022	<b>Bypass:</b>
<b>Shutoffs:</b> (yyy), cccc, dddd, mmmm, nnnn, xxxxx, yyyyy, zzzzz, aaaaaa, xxxxxx		

---

<b>Type:</b> RP	<b>Manufacturer:</b> Apollo/Conbraco	<b>Model:</b> RPLF4A
<b>Size:</b> 6	<b>Orientation:</b> H	<b>Meters:</b>
<b>Manual:</b> 10	<b>0.25% Pb:</b> Yes	<b>Spare Parts Only:</b> No
<b>Approved:</b> 24-Jun-2013	<b>Renewed:</b> 24-Jun-2022	<b>Bypass:</b>
<b>Shutoffs:</b> (yyy), cccc, dddd, mmmm, nnnn, xxxxx, yyyyy, zzzzz, aaaaaa, xxxxxx		

**Type:** RP **Manufacturer:** Apollo/Conbraco **Model:** RPLF4A  
**Size:** 8 **Orientation:** H **Meters:**  
**Manual:** 10 **0.25% Pb:** Yes **Spare Parts Only:** No  
**Approved:** 20-Jan-2017 **Renewed:** 20-Jan-2020 **Bypass:**  
**Shutoffs:** (yyy), cccc, dddd, mmmm, nnnn, xxxxx, yyyyy, zzzzz, aaaaaa, xxxxxx

---

**Type:** RP **Manufacturer:** Apollo/Conbraco **Model:** RPLF4A  
**Size:** 10 **Orientation:** H **Meters:**  
**Manual:** 10 **0.25% Pb:** Yes **Spare Parts Only:** No  
**Approved:** 05-Nov-2021 **Renewed:** **Bypass:**  
**Shutoffs:** (zzzzz), zzz,cccc,dddd,kkkk,llll,mmmm,nnnn,xxxxx, yyyyy,aaaaa

---

**Type:** RP **Manufacturer:** Apollo/Conbraco **Model:** RPLF4A  
**Size:** 12 **Orientation:** H **Meters:**  
**Manual:** 10 **0.25% Pb:** Yes **Spare Parts Only:** No  
**Approved:** 05-Nov-2021 **Renewed:** **Bypass:**  
**Shutoffs:** (bbbbbb), ll,mm,cccccc

---

**Type:** RP **Manufacturer:** Apollo/Conbraco **Model:** RPLF4AN  
**Size:** 3/4 **Orientation:** VUVD **Meters:**  
**Manual:** 10 **0.25% Pb:** Yes **Spare Parts Only:** No  
**Approved:** 16-Jan-2020 **Renewed:** **Bypass:**  
**Shutoffs:** (ttttt), vvvvv

---

**Type:** RP **Manufacturer:** Apollo/Conbraco **Model:** RPLF4AN  
**Size:** 1 **Orientation:** VUVD **Meters:**  
**Manual:** 10 **0.25% Pb:** Yes **Spare Parts Only:** No  
**Approved:** 16-Jan-2019 **Renewed:** 16-Jan-2022 **Bypass:**  
**Shutoffs:** (ttttt), vvvvv

---

**Type:** RP **Manufacturer:** Apollo/Conbraco **Model:** RPLF4AN  
**Size:** 2 1/2 **Orientation:** VUVD **Meters:**  
**Manual:** 10 **0.25% Pb:** Yes **Spare Parts Only:** No  
**Approved:** 27-Apr-2015 **Renewed:** 27-Apr-2021 **Bypass:**  
**Shutoffs:** (yyy), cccc, dddd, mmmm, nnnn, xxxxx, yyyyy, zzzzz, aaaaaa, xxxxxx

---

**Type:** RP **Manufacturer:** Apollo/Conbraco **Model:** RPLF4AN  
**Size:** 2 1/2 **Orientation:** VUVU **Meters:**  
**Manual:** 10 **0.25% Pb:** Yes **Spare Parts Only:** No  
**Approved:** 27-Apr-2015 **Renewed:** 27-Apr-2021 **Bypass:**  
**Shutoffs:** (yyy), cccc, dddd, mmmm, nnnn, xxxxx, yyyyy, zzzzz, aaaaaa, xxxxxx

**Type:** RP **Manufacturer:** Apollo/Conbraco **Model:** RPLF4AN  
**Size:** 3 **Orientation:** VUVD **Meters:**  
**Manual:** 10 **0.25% Pb:** Yes **Spare Parts Only:** No  
**Approved:** 27-Apr-2015 **Renewed:** 27-Apr-2021 **Bypass:**  
**Shutoffs:** (yyy), cccc, dddd, mmmm, nnnn, xxxxx, yyyyy, zzzzz, aaaaaa, xxxxxx

---

**Type:** RP **Manufacturer:** Apollo/Conbraco **Model:** RPLF4AN  
**Size:** 3 **Orientation:** VUVU **Meters:**  
**Manual:** 10 **0.25% Pb:** Yes **Spare Parts Only:** No  
**Approved:** 27-Apr-2015 **Renewed:** 27-Apr-2021 **Bypass:**  
**Shutoffs:** (yyy), cccc, dddd, mmmm, nnnn, xxxxx, yyyyy, zzzzz, aaaaaa, xxxxxx

---

**Type:** RP **Manufacturer:** Apollo/Conbraco **Model:** RPLF4AN  
**Size:** 4 **Orientation:** VUVD **Meters:**  
**Manual:** 10 **0.25% Pb:** Yes **Spare Parts Only:** No  
**Approved:** 15-May-2014 **Renewed:** 15-May-2020 **Bypass:**  
**Shutoffs:** (yyy), cccc, dddd, mmmm, nnnn, xxxxx, yyyyy, zzzzz, aaaaaa, xxxxxx

---

**Type:** RP **Manufacturer:** Apollo/Conbraco **Model:** RPLF4AN  
**Size:** 4 **Orientation:** VUVU **Meters:**  
**Manual:** 10 **0.25% Pb:** Yes **Spare Parts Only:** No  
**Approved:** 11-Jun-2014 **Renewed:** 11-Jun-2020 **Bypass:**  
**Shutoffs:** (yyy), cccc, dddd, mmmm, nnnn, xxxxx, yyyyy, zzzzz, aaaaaa, xxxxxx

---

**Type:** RP **Manufacturer:** Apollo/Conbraco **Model:** RPLF4AN  
**Size:** 6 **Orientation:** VUVD **Meters:**  
**Manual:** 10 **0.25% Pb:** Yes **Spare Parts Only:** No  
**Approved:** 10-Jun-2014 **Renewed:** 10-Jun-2020 **Bypass:**  
**Shutoffs:** (yyy), cccc, dddd, mmmm, nnnn, xxxxx, yyyyy, zzzzz, aaaaaa, xxxxxx

---

**Type:** RP **Manufacturer:** Apollo/Conbraco **Model:** RPLF4AN  
**Size:** 6 **Orientation:** VUVU **Meters:**  
**Manual:** 10 **0.25% Pb:** Yes **Spare Parts Only:** No  
**Approved:** 11-Jun-2014 **Renewed:** 11-Jun-2020 **Bypass:**  
**Shutoffs:** (yyy), cccc, dddd, mmmm, nnnn, xxxxx, yyyyy, zzzzz, aaaaaa, xxxxxx

---

**Type:** RP **Manufacturer:** Apollo/Conbraco **Model:** RPLF4AN  
**Size:** 8 **Orientation:** VUVD **Meters:**  
**Manual:** 10 **0.25% Pb:** Yes **Spare Parts Only:** No  
**Approved:** 20-Mar-2017 **Renewed:** 20-Mar-2020 **Bypass:**  
**Shutoffs:** (yyy), cccc, dddd, mmmm, nnnn, xxxxx, yyyyy, zzzzz, aaaaaa, xxxxxx

**Type:** RP                                  **Manufacturer:** Apollo/Conbraco                                  **Model:** RPLF4AN  
**Size:** 8    **Orientation:** VUVU    **Meters:**  
**Manual:** 10    **0.25% Pb:** Yes    **Spare Parts Only:** No  
**Approved:** 20-Mar-2017                                  **Renewed:** 20-Mar-2020    **Bypass:**  
**Shutoffs:** (yyy), cccc, dddd, mmmm, nnnn, xxxxx, yyyyy, zzzzz, aaaaaa, xxxxxx

---

**Type:** RP                                  **Manufacturer:** Apollo/Conbraco                                  **Model:** RPLF4AN  
**Size:** 10    **Orientation:** VUVD    **Meters:**  
**Manual:** 10    **0.25% Pb:** Yes    **Spare Parts Only:** No  
**Approved:** 05-Nov-2021                                  **Renewed:**    **Bypass:**  
**Shutoffs:** (zzzzz), yyy,zzz,cccc,dddd,kkkk,llll,mmmm,nnnn,xxxxx, yyyyy,aaaaa

---

**Type:** RP                                  **Manufacturer:** Apollo/Conbraco                                  **Model:** RPLF4AN  
**Size:** 12    **Orientation:** VUVD    **Meters:**  
**Manual:** 10    **0.25% Pb:** Yes    **Spare Parts Only:** No  
**Approved:** 05-Nov-2021                                  **Renewed:**    **Bypass:**  
**Shutoffs:** (bbbbbb), ll,mm,cccccc

---

**Type:** RP                                  **Manufacturer:** Apollo/Conbraco                                  **Model:** RPLF4AR  
**Size:** 2 1/2    **Orientation:** H    **Meters:**  
**Manual:** 10    **0.25% Pb:** Yes    **Spare Parts Only:** No  
**Approved:** 21-Dec-2015                                  **Renewed:** 21-Dec-2021    **Bypass:**  
**Shutoffs:** (cccc), dddd, mmmm, nnnn, xxxxx, yyyyy, zzzzz, aaaaaa  
**Notes:** Integral Stainless Steel grooved spool between the #2 ck and #2 SOV - assembly length: min. 34" and max. 47 1/8"

---

**Type:** RP                                  **Manufacturer:** Apollo/Conbraco                                  **Model:** RPLF4AR  
**Size:** 3    **Orientation:** H    **Meters:**  
**Manual:** 10    **0.25% Pb:** Yes    **Spare Parts Only:** No  
**Approved:** 21-Dec-2015                                  **Renewed:** 21-Dec-2021    **Bypass:**  
**Shutoffs:** (cccc), dddd, mmmm, nnnn, xxxxx, yyyyy, zzzzz, aaaaaa  
**Notes:** Integral Stainless Steel grooved spool between the #2 ck and #2 SOV - assembly length: min. 35" and max. 48 1/8"

---

**Type:** RP                                  **Manufacturer:** Apollo/Conbraco                                  **Model:** RPLF4AR  
**Size:** 4    **Orientation:** H    **Meters:**  
**Manual:** 10    **0.25% Pb:** Yes    **Spare Parts Only:** No  
**Approved:** 21-Dec-2015                                  **Renewed:** 21-Dec-2021    **Bypass:**  
**Shutoffs:** (cccc), dddd, mmmm, nnnn, xxxxx, yyyyy, zzzzz, aaaaaa  
**Notes:** Integral Stainless Steel grooved spool between the #2 ck and #2 SOV - assembly length: min. 37 3/8" and max. 62 1/4"





**Type:** RP  
**Size:** 1/2  
**Manual:** 8  
**Approved:** 19-Apr-1996  
**Shutoffs:** (dd)  
**Notes:** formerly 40203A2S, 40203T2S

**Manufacturer:** Apollo/Conbraco  
**Orientation:** H  
**0.25% Pb:** No  
**Renewed:** 19-Apr-2020

**Model:** RPS40  
**Meters:**  
**Spare Parts Only:** No  
**Bypass:**

---

**Type:** RP  
**Size:** 3/4  
**Manual:** 8  
**Approved:** 16-Aug-1994  
**Shutoffs:** (uuu)  
**Notes:** formerly 40204A2S

**Manufacturer:** Apollo/Conbraco  
**Orientation:** H  
**0.25% Pb:** No  
**Renewed:** 16-Aug-2021

**Model:** RPS40  
**Meters:**  
**Spare Parts Only:** No  
**Bypass:**

---

**Type:** RP  
**Size:** 1  
**Manual:** 8  
**Approved:** 16-Aug-1994  
**Shutoffs:** (uuu)  
**Notes:** formerly 40204A2S, 40204T2S

**Manufacturer:** Apollo/Conbraco  
**Orientation:** H  
**0.25% Pb:** No  
**Renewed:** 16-Aug-2021

**Model:** RPS40  
**Meters:**  
**Spare Parts Only:** No  
**Bypass:**

---

**Type:** RP  
**Size:** 1/2  
**Manual:** 9  
**Approved:** 03-Jan-2013  
**Shutoffs:** (oooo), ii, ooo, fffff

**Manufacturer:** ARI  
**Orientation:** H  
**0.25% Pb:** No  
**Renewed:** 03-Jan-2022

**Model:** RP 500  
**Meters:**  
**Spare Parts Only:** No  
**Bypass:**

---

**Type:** RP  
**Size:** 1/2  
**Manual:** 9  
**Approved:** 18-Feb-2014  
**Shutoffs:** (oooo), fffff

**Manufacturer:** ARI  
**Orientation:** H  
**0.25% Pb:** Yes  
**Renewed:** 18-Feb-2020

**Model:** RP 500  
**Meters:**  
**Spare Parts Only:** No  
**Bypass:**

---

**Type:** RP  
**Size:** 3/4  
**Manual:** 9  
**Approved:** 02-Mar-2007  
**Shutoffs:** (ii),ooo, ooooo, fffff

**Manufacturer:** ARI  
**Orientation:** H  
**0.25% Pb:** No  
**Renewed:** 02-Mar-2022

**Model:** RP 500  
**Meters:**  
**Spare Parts Only:** No  
**Bypass:**

**Type:** RP  
**Size:** 3/4  
**Manual:** 9  
**Approved:** 18-Feb-2014  
**Shutoffs:** (00000), fffff

**Manufacturer:** ARI  
**Orientation:** H  
**0.25% Pb:** Yes  
**Renewed:** 18-Feb-2020

**Model:** RP 500  
**Meters:**  
**Spare Parts Only:** No  
**Bypass:**

---

**Type:** RP  
**Size:** 1  
**Manual:** 9  
**Approved:** 02-Mar-2007  
**Shutoffs:** (ii),000, 00000, fffff

**Manufacturer:** ARI  
**Orientation:** H  
**0.25% Pb:** No  
**Renewed:** 02-Mar-2022

**Model:** RP 500  
**Meters:**  
**Spare Parts Only:** No  
**Bypass:**

---

**Type:** RP  
**Size:** 1  
**Manual:** 9  
**Approved:** 18-Feb-2014  
**Shutoffs:** (00000), fffff

**Manufacturer:** ARI  
**Orientation:** H  
**0.25% Pb:** Yes  
**Renewed:** 18-Feb-2020

**Model:** RP 500  
**Meters:**  
**Spare Parts Only:** No  
**Bypass:**

---

**Type:** RP  
**Size:** 1 1/4  
**Manual:** 10  
**Approved:** 18-Feb-2014  
**Shutoffs:** (00000), fffff

**Manufacturer:** ARI  
**Orientation:** H  
**0.25% Pb:** Yes  
**Renewed:** 18-Feb-2020

**Model:** RP 500  
**Meters:**  
**Spare Parts Only:** No  
**Bypass:**

---

**Type:** RP  
**Size:** 1 1/2  
**Manual:** 10  
**Approved:** 18-Feb-2014  
**Shutoffs:** (00000), fffff

**Manufacturer:** ARI  
**Orientation:** H  
**0.25% Pb:** Yes  
**Renewed:** 18-Feb-2020

**Model:** RP 500  
**Meters:**  
**Spare Parts Only:** No  
**Bypass:**

---

**Type:** RP  
**Size:** 2  
**Manual:** 10  
**Approved:** 18-Feb-2014  
**Shutoffs:** (00000), fffff

**Manufacturer:** ARI  
**Orientation:** H  
**0.25% Pb:** Yes  
**Renewed:** 18-Feb-2020

**Model:** RP 500  
**Meters:**  
**Spare Parts Only:** No  
**Bypass:**

---

**Type:** RP  
**Size:** 1/2  
**Manual:** 10  
**Approved:** 06-Sep-2018  
**Shutoffs:** (int)

**Manufacturer:** ARI  
**Orientation:** H  
**0.25% Pb:** Yes  
**Renewed:** 06-Sep-2021

**Model:** RP 501  
**Meters:**  
**Spare Parts Only:** No  
**Bypass:**

**Type:** RP  
**Size:** 3/4  
**Manual:** 10  
**Approved:** 20-Mar-2017  
**Shutoffs:** (int)

**Manufacturer:** ARI  
**Orientation:** H  
**0.25% Pb:** Yes  
**Renewed:** 20-Mar-2020

**Model:** RP 501  
**Meters:**  
**Spare Parts Only:** No  
**Bypass:**

---

**Type:** RP  
**Size:** 1  
**Manual:** 10  
**Approved:** 20-Mar-2017  
**Shutoffs:** (int)

**Manufacturer:** ARI  
**Orientation:** H  
**0.25% Pb:** Yes  
**Renewed:** 20-Mar-2020

**Model:** RP 501  
**Meters:**  
**Spare Parts Only:** No  
**Bypass:**

---

**Type:** RP  
**Size:** 1 1/4  
**Manual:** 10  
**Approved:** 20-Mar-2017  
**Shutoffs:** (int)

**Manufacturer:** ARI  
**Orientation:** H  
**0.25% Pb:** Yes  
**Renewed:** 20-Mar-2020

**Model:** RP 501  
**Meters:**  
**Spare Parts Only:** No  
**Bypass:**

---

**Type:** RP  
**Size:** 1 1/2  
**Manual:** 10  
**Approved:** 20-Mar-2017  
**Shutoffs:** (int)

**Manufacturer:** ARI  
**Orientation:** H  
**0.25% Pb:** Yes  
**Renewed:** 20-Mar-2020

**Model:** RP 501  
**Meters:**  
**Spare Parts Only:** No  
**Bypass:**

---

**Type:** RP  
**Size:** 2  
**Manual:** 10  
**Approved:** 20-Mar-2017  
**Shutoffs:** (int)

**Manufacturer:** ARI  
**Orientation:** H  
**0.25% Pb:** Yes  
**Renewed:** 20-Mar-2020

**Model:** RP 501  
**Meters:**  
**Spare Parts Only:** No  
**Bypass:**

---

**Type:** RP  
**Size:** 2 1/2  
**Manual:** 10  
**Approved:** 20-Jan-2017  
**Shutoffs:** (int)

**Manufacturer:** Backflow Direct  
**Orientation:** H  
**0.25% Pb:** Yes  
**Renewed:** 20-Jan-2020

**Model:** Deringer 40  
**Meters:**  
**Spare Parts Only:** No  
**Bypass:**

---

**Type:** RP  
**Size:** 3  
**Manual:** 10  
**Approved:** 20-Jan-2017  
**Shutoffs:** (int)

**Manufacturer:** Backflow Direct  
**Orientation:** H  
**0.25% Pb:** Yes  
**Renewed:** 20-Jan-2020

**Model:** Deringer 40  
**Meters:**  
**Spare Parts Only:** No  
**Bypass:**

<b>Type:</b> RP	<b>Manufacturer:</b> Backflow Direct	<b>Model:</b> Deringer 40
<b>Size:</b> 4	<b>Orientation:</b> H	<b>Meters:</b>
<b>Manual:</b> 10	<b>0.25% Pb:</b> Yes	<b>Spare Parts Only:</b> No
<b>Approved:</b> 20-Jan-2017	<b>Renewed:</b> 20-Jan-2020	<b>Bypass:</b>
<b>Shutoffs:</b> (int)		

---

<b>Type:</b> RP	<b>Manufacturer:</b> Backflow Direct	<b>Model:</b> Deringer 40
<b>Size:</b> 6	<b>Orientation:</b> H	<b>Meters:</b>
<b>Manual:</b> 10	<b>0.25% Pb:</b> Yes	<b>Spare Parts Only:</b> No
<b>Approved:</b> 03-Aug-2022	<b>Renewed:</b>	<b>Bypass:</b>
<b>Shutoffs:</b> (int)		

---

<b>Type:</b> RP	<b>Manufacturer:</b> Backflow Direct	<b>Model:</b> Deringer 40
<b>Size:</b> 8	<b>Orientation:</b> H	<b>Meters:</b>
<b>Manual:</b> 10	<b>0.25% Pb:</b> Yes	<b>Spare Parts Only:</b> No
<b>Approved:</b> 27-Jun-2017	<b>Renewed:</b> 27-Jun-2020	<b>Bypass:</b>
<b>Shutoffs:</b> (int)		

---

<b>Type:</b> RP	<b>Manufacturer:</b> Backflow Direct	<b>Model:</b> Deringer 40G
<b>Size:</b> 2 1/2	<b>Orientation:</b> H	<b>Meters:</b>
<b>Manual:</b> 10	<b>0.25% Pb:</b> Yes	<b>Spare Parts Only:</b> No
<b>Approved:</b> 24-Oct-2018	<b>Renewed:</b> 24-Oct-2021	<b>Bypass:</b>
<b>Shutoffs:</b> (ssssss), ttttt		

---

<b>Type:</b> RP	<b>Manufacturer:</b> Backflow Direct	<b>Model:</b> Deringer 40G
<b>Size:</b> 3	<b>Orientation:</b> H	<b>Meters:</b>
<b>Manual:</b> 10	<b>0.25% Pb:</b> Yes	<b>Spare Parts Only:</b> No
<b>Approved:</b> 24-Oct-2018	<b>Renewed:</b> 24-Oct-2021	<b>Bypass:</b>
<b>Shutoffs:</b> (ssssss), ttttt		

---

<b>Type:</b> RP	<b>Manufacturer:</b> Backflow Direct	<b>Model:</b> Deringer 40G
<b>Size:</b> 4	<b>Orientation:</b> H	<b>Meters:</b>
<b>Manual:</b> 10	<b>0.25% Pb:</b> Yes	<b>Spare Parts Only:</b> No
<b>Approved:</b> 24-Oct-2018	<b>Renewed:</b> 24-Oct-2021	<b>Bypass:</b>
<b>Shutoffs:</b> (ssssss), ttttt		

---

<b>Type:</b> RP	<b>Manufacturer:</b> Backflow Direct	<b>Model:</b> Deringer 40G
<b>Size:</b> 8	<b>Orientation:</b> H	<b>Meters:</b>
<b>Manual:</b> 10	<b>0.25% Pb:</b> Yes	<b>Spare Parts Only:</b> No
<b>Approved:</b> 12-Mar-2019	<b>Renewed:</b> 12-Mar-2022	<b>Bypass:</b>
<b>Shutoffs:</b> (ssssss), ttttt		

**Type:** RP                                   **Manufacturer:** Backflow Direct                   **Model:** Deringer 40GX  
**Size:** 6                                   **Orientation:** H                                   **Meters:**  
**Manual:** 10                               **0.25% Pb:** Yes                               **Spare Parts Only:** No  
**Approved:** 12-Mar-2019               **Renewed:** 12-Mar-2022                   **Bypass:**  
**Shutoffs:** (ssssss), tttttt

---

**Type:** RP                                   **Manufacturer:** Backflow Direct                   **Model:** Deringer 40X  
**Size:** 4                                   **Orientation:** H                                   **Meters:**  
**Manual:** 10                               **0.25% Pb:** Yes                               **Spare Parts Only:** No  
**Approved:** 03-Aug-2022               **Renewed:**                                   **Bypass:**  
**Shutoffs:** (int)

---

**Type:** RP                                   **Manufacturer:** Backflow Direct                   **Model:** Deringer 40X  
**Size:** 6                                   **Orientation:** H                                   **Meters:**  
**Manual:** 10                               **0.25% Pb:** Yes                               **Spare Parts Only:** No  
**Approved:** 27-Jun-2017               **Renewed:** 27-Jun-2020                   **Bypass:**  
**Shutoffs:** (int)

---

**Type:** RP                                   **Manufacturer:** Backflow Direct                   **Model:** Magnum 40  
**Size:** 2 1/2                               **Orientation:** H                                   **Meters:**  
**Manual:** 10                               **0.25% Pb:** Yes                               **Spare Parts Only:** No  
**Approved:** 15-Mar-2018               **Renewed:** 15-Mar-2021                   **Bypass:**  
**Shutoffs:** (int)

---

**Type:** RP                                   **Manufacturer:** Backflow Direct                   **Model:** Magnum 40  
**Size:** 3                                   **Orientation:** H                                   **Meters:**  
**Manual:** 10                               **0.25% Pb:** Yes                               **Spare Parts Only:** No  
**Approved:** 15-Mar-2018               **Renewed:** 15-Mar-2021                   **Bypass:**  
**Shutoffs:** (int)

---

**Type:** RP                                   **Manufacturer:** Backflow Direct                   **Model:** Magnum 40  
**Size:** 4                                   **Orientation:** H                                   **Meters:**  
**Manual:** 10                               **0.25% Pb:** Yes                               **Spare Parts Only:** No  
**Approved:** 15-Mar-2018               **Renewed:** 15-Mar-2021                   **Bypass:**  
**Shutoffs:** (int)

---

**Type:** RP                                   **Manufacturer:** Backflow Direct                   **Model:** Magnum 40  
**Size:** 8                                   **Orientation:** H                                   **Meters:**  
**Manual:** 10                               **0.25% Pb:** Yes                               **Spare Parts Only:** No  
**Approved:** 15-Mar-2018               **Renewed:** 15-Mar-2021                   **Bypass:**  
**Shutoffs:** (int)

<b>Type:</b> RP	<b>Manufacturer:</b> Backflow Direct	<b>Model:</b> Magnum 40G
<b>Size:</b> 2 1/2	<b>Orientation:</b> H	<b>Meters:</b>
<b>Manual:</b> 10	<b>0.25% Pb:</b> Yes	<b>Spare Parts Only:</b> No
<b>Approved:</b> 24-Oct-2018	<b>Renewed:</b> 24-Oct-2021	<b>Bypass:</b>
<b>Shutoffs:</b> (qqqqqq), rrrrrr		

---

<b>Type:</b> RP	<b>Manufacturer:</b> Backflow Direct	<b>Model:</b> Magnum 40G
<b>Size:</b> 3	<b>Orientation:</b> H	<b>Meters:</b>
<b>Manual:</b> 10	<b>0.25% Pb:</b> Yes	<b>Spare Parts Only:</b> No
<b>Approved:</b> 24-Oct-2018	<b>Renewed:</b> 24-Oct-2021	<b>Bypass:</b>
<b>Shutoffs:</b> (qqqqqq), rrrrrr		

---

<b>Type:</b> RP	<b>Manufacturer:</b> Backflow Direct	<b>Model:</b> Magnum 40G
<b>Size:</b> 4	<b>Orientation:</b> H	<b>Meters:</b>
<b>Manual:</b> 10	<b>0.25% Pb:</b> Yes	<b>Spare Parts Only:</b> No
<b>Approved:</b> 24-Oct-2018	<b>Renewed:</b> 24-Oct-2021	<b>Bypass:</b>
<b>Shutoffs:</b> (qqqqqq), rrrrrr		

---

<b>Type:</b> RP	<b>Manufacturer:</b> Backflow Direct	<b>Model:</b> Magnum 40G
<b>Size:</b> 8	<b>Orientation:</b> H	<b>Meters:</b>
<b>Manual:</b> 10	<b>0.25% Pb:</b> Yes	<b>Spare Parts Only:</b> No
<b>Approved:</b> 12-Mar-2019	<b>Renewed:</b> 12-Mar-2022	<b>Bypass:</b>
<b>Shutoffs:</b> (qqqqqq), rrrrrr		

---

<b>Type:</b> RP	<b>Manufacturer:</b> Backflow Direct	<b>Model:</b> Magnum 40GX
<b>Size:</b> 6	<b>Orientation:</b> H	<b>Meters:</b>
<b>Manual:</b> 10	<b>0.25% Pb:</b> Yes	<b>Spare Parts Only:</b> No
<b>Approved:</b> 12-Mar-2019	<b>Renewed:</b> 12-Mar-2022	<b>Bypass:</b>
<b>Shutoffs:</b> (qqqqqq), rrrrrr		

---

<b>Type:</b> RP	<b>Manufacturer:</b> Backflow Direct	<b>Model:</b> Magnum 40X
<b>Size:</b> 6	<b>Orientation:</b> H	<b>Meters:</b>
<b>Manual:</b> 10	<b>0.25% Pb:</b> Yes	<b>Spare Parts Only:</b> No
<b>Approved:</b> 15-Mar-2018	<b>Renewed:</b> 15-Mar-2021	<b>Bypass:</b>
<b>Shutoffs:</b> (int)		

---

<b>Type:</b> RP	<b>Manufacturer:</b> BEECO	<b>Model:</b> Barracuda 40
<b>Size:</b> 2 1/2	<b>Orientation:</b> H	<b>Meters:</b>
<b>Manual:</b> 10	<b>0.25% Pb:</b> Yes	<b>Spare Parts Only:</b> No
<b>Approved:</b> 18-Dec-2018	<b>Renewed:</b> 18-Dec-2021	<b>Bypass:</b>
<b>Shutoffs:</b> (qqqqqq), rrrrrr, vvvvvv, wwwwww		

**Type:** RP                                      **Manufacturer:** BEECO                                      **Model:** Barracuda 40  
**Size:** 3                                      **Orientation:** H                                      **Meters:**  
**Manual:** 10                                      **0.25% Pb:** Yes                                      **Spare Parts Only:** No  
**Approved:** 18-Dec-2018                                      **Renewed:** 18-Dec-2021                                      **Bypass:**  
**Shutoffs:** (qqqqqq), rrrrrr, vvvvvv, wwwwww

---

**Type:** RP                                      **Manufacturer:** BEECO                                      **Model:** Barracuda 40  
**Size:** 4                                      **Orientation:** H                                      **Meters:**  
**Manual:** 10                                      **0.25% Pb:** Yes                                      **Spare Parts Only:** No  
**Approved:** 18-Dec-2018                                      **Renewed:** 18-Dec-2021                                      **Bypass:**  
**Shutoffs:** (qqqqqq), rrrrrr, vvvvvv, wwwwww

---

**Type:** RP                                      **Manufacturer:** BEECO                                      **Model:** Barracuda 40  
**Size:** 8                                      **Orientation:** H                                      **Meters:**  
**Manual:** 10                                      **0.25% Pb:** Yes                                      **Spare Parts Only:** No  
**Approved:** 12-Mar-2019                                      **Renewed:** 12-Mar-2022                                      **Bypass:**  
**Shutoffs:** (qqqqqq), rrrrrr

---

**Type:** RP                                      **Manufacturer:** BEECO                                      **Model:** Barracuda 40X  
**Size:** 6                                      **Orientation:** H                                      **Meters:**  
**Manual:** 10                                      **0.25% Pb:** Yes                                      **Spare Parts Only:** No  
**Approved:** 12-Mar-2019                                      **Renewed:** 12-Mar-2022                                      **Bypass:**  
**Shutoffs:** (qqqqqq), rrrrrr, vvvvvv, wwwwww

---

**Type:** RP                                      **Manufacturer:** Cla-Val                                      **Model:** RP4  
**Size:** 8                                      **Orientation:** H                                      **Meters:**  
**Manual:** 8                                      **0.25% Pb:** No                                      **Spare Parts Only:** Yes  
**Approved:** 22-Jun-1989                                      **Renewed:** 22-Jun-2022                                      **Bypass:**  
**Shutoffs:** (gg),hh,qq,rr

---

**Type:** RP                                      **Manufacturer:** Cla-Val                                      **Model:** RP4  
**Size:** 10                                      **Orientation:** H                                      **Meters:**  
**Manual:** 8                                      **0.25% Pb:** No                                      **Spare Parts Only:** Yes  
**Approved:** 22-Jun-1989                                      **Renewed:** 22-Jun-2022                                      **Bypass:**  
**Shutoffs:** (gg),hh,qq,rr

---

**Type:** RP                                      **Manufacturer:** Conbraco                                      **Model:**  
**Size:**                                      **Orientation:**                                      **Meters:**  
**Manual:**                                      **0.25% Pb:** No                                      **Spare Parts Only:** No  
**Approved:**                                      **Renewed:**                                      **Bypass:**  
**Notes:** See Apollo/Conbraco

**Type:** RP                                      **Manufacturer:** Febco                                      **Model:** 825Y  
**Size:** 3/4                                      **Orientation:** H                                      **Meters:**  
**Manual:** 6                                      **0.25% Pb:** No                                      **Spare Parts Only:** No  
**Approved:** 19-Mar-1982                                      **Renewed:** 19-Mar-2021                                      **Bypass:**  
**Shutoffs:** (ii),fff,jjj,ooo  
**Notes:** Replaceable check valve seats starting with serial No. J000001

---

**Type:** RP                                      **Manufacturer:** Febco                                      **Model:** 825Y  
**Size:** 1                                      **Orientation:** H                                      **Meters:**  
**Manual:** 6                                      **0.25% Pb:** No                                      **Spare Parts Only:** No  
**Approved:** 19-Mar-1982                                      **Renewed:** 19-Mar-2021                                      **Bypass:**  
**Shutoffs:** (ii),fff,jjj,ooo  
**Notes:** Replaceable check valve seats starting with serial No. J000001

---

**Type:** RP                                      **Manufacturer:** Febco                                      **Model:** 825Y  
**Size:** 1 1/4                                      **Orientation:** H                                      **Meters:**  
**Manual:** 6                                      **0.25% Pb:** No                                      **Spare Parts Only:** Yes  
**Approved:** 03-Jun-1982                                      **Renewed:** 01-Jun-2021                                      **Bypass:**  
**Shutoffs:** ii,fff,jjj,ooo

---

**Type:** RP                                      **Manufacturer:** Febco                                      **Model:** 825Y  
**Size:** 1 1/2                                      **Orientation:** H                                      **Meters:**  
**Manual:** 6                                      **0.25% Pb:** No                                      **Spare Parts Only:** No  
**Approved:** 06-Aug-1982                                      **Renewed:** 06-Aug-2021                                      **Bypass:**  
**Shutoffs:** (ii),fff,jjj,ooo  
**Notes:** Replaceable check valve seats starting with serial No. J000001

---

**Type:** RP                                      **Manufacturer:** Febco                                      **Model:** 825Y  
**Size:** 2                                      **Orientation:** H                                      **Meters:**  
**Manual:** 6                                      **0.25% Pb:** No                                      **Spare Parts Only:** No  
**Approved:** 06-Aug-1982                                      **Renewed:** 06-Aug-2021                                      **Bypass:**  
**Shutoffs:** (ii),fff,ooo  
**Notes:** Replaceable check valve seats starting with serial No. J000001

---

**Type:** RP                                      **Manufacturer:** Febco                                      **Model:** 825YA  
**Size:** 3/4                                      **Orientation:** H                                      **Meters:**  
**Manual:** 8                                      **0.25% Pb:** No                                      **Spare Parts Only:** No  
**Approved:** 05-Mar-1990                                      **Renewed:** 05-Mar-2020                                      **Bypass:**  
**Shutoffs:** (ii),fff,jjj,ooo  
**Notes:** Replaceable check valve seats starting with serial No. J000001



**Type:** RP                                      **Manufacturer:** Febco                                      **Model:** 825YA  
**Size:** 3/4                                      **Orientation:** HVD                                      **Meters:**  
**Manual:** 8                                      **0.25% Pb:** No                                      **Spare Parts Only:** No  
**Approved:** 05-Mar-1990                                      **Renewed:** 05-Mar-2020                                      **Bypass:**  
**Shutoffs:** (ii),fff,jjj,ooo  
**Notes:** Replaceable check valve seats starting with serial No. J000001

---

**Type:** RP                                      **Manufacturer:** Febco                                      **Model:** 825YA  
**Size:** 3/4                                      **Orientation:** VUH                                      **Meters:**  
**Manual:** 8                                      **0.25% Pb:** No                                      **Spare Parts Only:** No  
**Approved:** 05-Mar-1990                                      **Renewed:** 05-Mar-2020                                      **Bypass:**  
**Shutoffs:** (ii),fff,jjj,ooo  
**Notes:** Replaceable check valve seats starting with serial No. J000001

---

**Type:** RP                                      **Manufacturer:** Febco                                      **Model:** 825YA  
**Size:** 3/4                                      **Orientation:** VUVD                                      **Meters:**  
**Manual:** 8                                      **0.25% Pb:** No                                      **Spare Parts Only:** No  
**Approved:** 05-Mar-1990                                      **Renewed:** 05-Mar-2020                                      **Bypass:**  
**Shutoffs:** (ii),fff,jjj,ooo  
**Notes:** Replaceable check valve seats starting with serial No. J000001

---

**Type:** RP                                      **Manufacturer:** Febco                                      **Model:** 825YA  
**Size:** 1                                      **Orientation:** H                                      **Meters:**  
**Manual:** 8                                      **0.25% Pb:** No                                      **Spare Parts Only:** No  
**Approved:** 05-Mar-1990                                      **Renewed:** 05-Mar-2020                                      **Bypass:**  
**Shutoffs:** (ii),fff,jjj,ooo  
**Notes:** Replaceable check valve seats starting with serial No. J000001

---

**Type:** RP                                      **Manufacturer:** Febco                                      **Model:** 825YA  
**Size:** 1                                      **Orientation:** HVD                                      **Meters:**  
**Manual:** 8                                      **0.25% Pb:** No                                      **Spare Parts Only:** No  
**Approved:** 05-Mar-1990                                      **Renewed:** 05-Mar-2020                                      **Bypass:**  
**Shutoffs:** (ii),fff,jjj,ooo  
**Notes:** Replaceable check valve seats starting with serial No. J000001

---

**Type:** RP                                      **Manufacturer:** Febco                                      **Model:** 825YA  
**Size:** 1                                      **Orientation:** VUH                                      **Meters:**  
**Manual:** 8                                      **0.25% Pb:** No                                      **Spare Parts Only:** No  
**Approved:** 05-Mar-1990                                      **Renewed:** 05-Mar-2020                                      **Bypass:**  
**Shutoffs:** (ii),fff,jjj,ooo  
**Notes:** Replaceable check valve seats starting with serial No. J000001

**Type:** RP  
**Size:** 1  
**Manual:** 8  
**Approved:** 05-Mar-1990  
**Shutoffs:** (ii),fff,jjj,ooo  
**Notes:** Replaceable check valve seats starting with serial No. J000001

---

**Manufacturer:** Febco  
**Orientation:** VUVD  
**0.25% Pb:** No  
**Renewed:** 05-Mar-2020  
**Model:** 825YA  
**Meters:**  
**Spare Parts Only:** No  
**Bypass:**

---

**Type:** RP  
**Size:** 1 1/2  
**Manual:** 8  
**Approved:** 08-May-1989  
**Shutoffs:** (ii),fff,jjj,ooo  
**Notes:** Replaceable check valve seats starting with serial No. J000001

---

**Manufacturer:** Febco  
**Orientation:** HVD  
**0.25% Pb:** No  
**Renewed:** 08-May-2022  
**Model:** 825YA  
**Meters:**  
**Spare Parts Only:** No  
**Bypass:**

---

**Type:** RP  
**Size:** 1 1/2  
**Manual:** 8  
**Approved:** 08-May-1989  
**Shutoffs:** (ii),fff,jjj,ooo  
**Notes:** Replaceable check valve seats starting with serial No. J000001

---

**Manufacturer:** Febco  
**Orientation:** VUH  
**0.25% Pb:** No  
**Renewed:** 08-May-2022  
**Model:** 825YA  
**Meters:**  
**Spare Parts Only:** No  
**Bypass:**

---

**Type:** RP                                      **Manufacturer:** Febco                                      **Model:** 825YA  
**Size:** 2    **Orientation:** HVD                                      **Meters:**  
**Manual:** 8    **0.25% Pb:** No                                      **Spare Parts Only:** No  
**Approved:** 08-May-1989                      **Renewed:** 08-May-2022                      **Bypass:**  
**Shutoffs:** (ii),fff,ooo  
**Notes:** Replaceable check valve seats starting with serial No. J000001

---

**Type:** RP                                      **Manufacturer:** Febco                                      **Model:** 825YA  
**Size:** 2    **Orientation:** VUH                                      **Meters:**  
**Manual:** 8    **0.25% Pb:** No                                      **Spare Parts Only:** No  
**Approved:** 08-May-1989                      **Renewed:** 08-May-2022                      **Bypass:**  
**Shutoffs:** (ii),fff,ooo  
**Notes:** Replaceable check valve seats starting with serial No. J000001

---

**Type:** RP                                      **Manufacturer:** Febco                                      **Model:** 825YA  
**Size:** 2    **Orientation:** VUVD                                      **Meters:**  
**Manual:** 8    **0.25% Pb:** No                                      **Spare Parts Only:** No  
**Approved:** 08-May-1989                      **Renewed:** 08-May-2022                      **Bypass:**  
**Shutoffs:** (ii),fff,ooo  
**Notes:** Replaceable check valve seats starting with serial No. J000001

---

**Type:** RP                                      **Manufacturer:** Febco                                      **Model:** 825YAR  
**Size:** 3/4    **Orientation:** H                                      **Meters:**  
**Manual:** 8    **0.25% Pb:** No                                      **Spare Parts Only:** Yes  
**Approved:** 22-Jan-1993                      **Renewed:** 22-Jan-2020                      **Bypass:**  
**Shutoffs:** ii,fff,jjj,ooo

---

**Type:** RP                                      **Manufacturer:** Febco                                      **Model:** 825YAR  
**Size:** 3/4    **Orientation:** HVD                                      **Meters:**  
**Manual:** 8    **0.25% Pb:** No                                      **Spare Parts Only:** Yes  
**Approved:** 22-Jan-1993                      **Renewed:** 22-Jan-2020                      **Bypass:**  
**Shutoffs:** ii,fff,jjj,ooo

---

**Type:** RP                                      **Manufacturer:** Febco                                      **Model:** 825YAR  
**Size:** 3/4    **Orientation:** VUH                                      **Meters:**  
**Manual:** 8    **0.25% Pb:** No                                      **Spare Parts Only:** Yes  
**Approved:** 22-Jan-1993                      **Renewed:** 22-Jan-2020                      **Bypass:**  
**Shutoffs:** ii,fff,jjj,ooo

**Type:** RP    **Manufacturer:** Febco    **Model:** 825YAR  
**Size:** 3/4    **Orientation:** VUVD    **Meters:**  
**Manual:** 8    **0.25% Pb:** No    **Spare Parts Only:** Yes  
**Approved:** 22-Jan-1993    **Renewed:** 22-Jan-2020    **Bypass:**  
**Shutoffs:** ii,fff,jjj,ooo

---

**Type:** RP    **Manufacturer:** Febco    **Model:** 825YAR  
**Size:** 1    **Orientation:** H    **Meters:**  
**Manual:** 8    **0.25% Pb:** No    **Spare Parts Only:** Yes  
**Approved:** 21-Jan-1993    **Renewed:** 21-Jan-2020    **Bypass:**  
**Shutoffs:** ii,fff,jjj,ooo

---

**Type:** RP    **Manufacturer:** Febco    **Model:** 825YAR  
**Size:** 1    **Orientation:** HVD    **Meters:**  
**Manual:** 8    **0.25% Pb:** No    **Spare Parts Only:** Yes  
**Approved:** 21-Jan-1993    **Renewed:** 21-Jan-2020    **Bypass:**  
**Shutoffs:** ii,fff,jjj,ooo

---

**Type:** RP    **Manufacturer:** Febco    **Model:** 825YAR  
**Size:** 1    **Orientation:** VUH    **Meters:**  
**Manual:** 8    **0.25% Pb:** No    **Spare Parts Only:** Yes  
**Approved:** 21-Jan-1993    **Renewed:** 21-Jan-2020    **Bypass:**  
**Shutoffs:** ii,fff,jjj,ooo

---

**Type:** RP    **Manufacturer:** Febco    **Model:** 825YAR  
**Size:** 1    **Orientation:** VUVD    **Meters:**  
**Manual:** 8    **0.25% Pb:** No    **Spare Parts Only:** Yes  
**Approved:** 21-Jan-1993    **Renewed:** 21-Jan-2020    **Bypass:**  
**Shutoffs:** ii,fff,jjj,ooo

---

**Type:** RP    **Manufacturer:** Febco    **Model:** 825YAR  
**Size:** 1 1/2    **Orientation:** H    **Meters:**  
**Manual:** 8    **0.25% Pb:** No    **Spare Parts Only:** Yes  
**Approved:** 19-Aug-1993    **Renewed:** 19-Aug-2020    **Bypass:**  
**Shutoffs:** ii,fff,jjj,ooo

---

**Type:** RP    **Manufacturer:** Febco    **Model:** 825YAR  
**Size:** 1 1/2    **Orientation:** HVD    **Meters:**  
**Manual:** 8    **0.25% Pb:** No    **Spare Parts Only:** Yes  
**Approved:** 19-Aug-1993    **Renewed:** 19-Aug-2020    **Bypass:**  
**Shutoffs:** ii,fff,jjj,ooo

**Type:** RP  
**Size:** 1 1/2  
**Manual:** 8  
**Approved:** 19-Aug-1993  
**Shutoffs:** ii,fff,jjj,ooo

**Manufacturer:** Febco  
**Orientation:** VUH  
**0.25% Pb:** No  
**Renewed:** 19-Aug-2020

**Model:** 825YAR  
**Meters:**  
**Spare Parts Only:** Yes  
**Bypass:**

---

**Type:** RP  
**Size:** 1 1/2  
**Manual:** 8  
**Approved:** 19-Aug-1993  
**Shutoffs:** ii,fff,jjj,ooo

**Manufacturer:** Febco  
**Orientation:** VUVD  
**0.25% Pb:** No  
**Renewed:** 19-Aug-2020

**Model:** 825YAR  
**Meters:**  
**Spare Parts Only:** Yes  
**Bypass:**

---

**Type:** RP  
**Size:** 2  
**Manual:** 8  
**Approved:** 19-Aug-1993  
**Shutoffs:** ii,fff,ooo

**Manufacturer:** Febco  
**Orientation:** H  
**0.25% Pb:** No  
**Renewed:** 19-Aug-2020

**Model:** 825YAR  
**Meters:**  
**Spare Parts Only:** Yes  
**Bypass:**

---

**Type:** RP  
**Size:** 2  
**Manual:** 8  
**Approved:** 19-Aug-1993  
**Shutoffs:** ii,fff,ooo

**Manufacturer:** Febco  
**Orientation:** HVD  
**0.25% Pb:** No  
**Renewed:** 19-Aug-2020

**Model:** 825YAR  
**Meters:**  
**Spare Parts Only:** Yes  
**Bypass:**

---

**Type:** RP  
**Size:** 2  
**Manual:** 8  
**Approved:** 19-Aug-1993  
**Shutoffs:** ii,fff,ooo

**Manufacturer:** Febco  
**Orientation:** VUH  
**0.25% Pb:** No  
**Renewed:** 19-Aug-2020

**Model:** 825YAR  
**Meters:**  
**Spare Parts Only:** Yes  
**Bypass:**

---

**Type:** RP  
**Size:** 2  
**Manual:** 8  
**Approved:** 19-Aug-1993  
**Shutoffs:** ii,fff,ooo

**Manufacturer:** Febco  
**Orientation:** VUVD  
**0.25% Pb:** No  
**Renewed:** 19-Aug-2020

**Model:** 825YAR  
**Meters:**  
**Spare Parts Only:** Yes  
**Bypass:**

---

**Type:** RP  
**Size:** 2 1/2  
**Manual:** 7  
**Approved:** 24-Feb-1989  
**Shutoffs:** (ee),ff,ll,mm,oo,pp,tt,uu,zzz,ffff,gggg

**Manufacturer:** Febco  
**Orientation:** H  
**0.25% Pb:** No  
**Renewed:** 24-Feb-2022

**Model:** 825YD  
**Meters:**  
**Spare Parts Only:** Yes  
**Bypass:**

<b>Type:</b> RP	<b>Manufacturer:</b> Febco	<b>Model:</b> 825YD
<b>Size:</b> 3	<b>Orientation:</b> H	<b>Meters:</b>
<b>Manual:</b> 7	<b>0.25% Pb:</b> No	<b>Spare Parts Only:</b> Yes
<b>Approved:</b> 24-Feb-1989	<b>Renewed:</b> 24-Feb-2022	<b>Bypass:</b>
<b>Shutoffs:</b> (ee),ff,ll,mm,oo,pp,tt,uu,zzz,ffff,gggg		

---

<b>Type:</b> RP	<b>Manufacturer:</b> Febco	<b>Model:</b> 825YD
<b>Size:</b> 4	<b>Orientation:</b> H	<b>Meters:</b>
<b>Manual:</b> 7	<b>0.25% Pb:</b> No	<b>Spare Parts Only:</b> Yes
<b>Approved:</b> 24-Feb-1989	<b>Renewed:</b> 24-Feb-2022	<b>Bypass:</b>
<b>Shutoffs:</b> (ee),ff,ll,mm,oo,pp,tt,uu,zzz,ffff,gggg		

---

<b>Type:</b> RP	<b>Manufacturer:</b> Febco	<b>Model:</b> 825YD
<b>Size:</b> 6	<b>Orientation:</b> H	<b>Meters:</b>
<b>Manual:</b> 7	<b>0.25% Pb:</b> No	<b>Spare Parts Only:</b> Yes
<b>Approved:</b> 24-Feb-1989	<b>Renewed:</b> 24-Feb-2022	<b>Bypass:</b>
<b>Shutoffs:</b> (ee),ff,ll,mm,oo,pp,tt,uu,zzz,ffff,gggg		

---

<b>Type:</b> RP	<b>Manufacturer:</b> Febco	<b>Model:</b> 825YD
<b>Size:</b> 8	<b>Orientation:</b> H	<b>Meters:</b>
<b>Manual:</b> 7	<b>0.25% Pb:</b> No	<b>Spare Parts Only:</b> Yes
<b>Approved:</b> 24-Feb-1989	<b>Renewed:</b> 24-Feb-2022	<b>Bypass:</b>
<b>Shutoffs:</b> (ee),ff,ll,mm,oo,pp,tt,uu,zzz,ffff,gggg		

---

<b>Type:</b> RP	<b>Manufacturer:</b> Febco	<b>Model:</b> 825YD
<b>Size:</b> 10	<b>Orientation:</b> H	<b>Meters:</b>
<b>Manual:</b> 7	<b>0.25% Pb:</b> No	<b>Spare Parts Only:</b> Yes
<b>Approved:</b> 24-Feb-1989	<b>Renewed:</b> 24-Feb-2022	<b>Bypass:</b>
<b>Shutoffs:</b> (ee),ff,ll,mm,oo,pp,tt,uu,zzz,ffff,gggg		

---

<b>Type:</b> RP	<b>Manufacturer:</b> Febco	<b>Model:</b> 825YR
<b>Size:</b> 3/4	<b>Orientation:</b> H	<b>Meters:</b>
<b>Manual:</b> 8	<b>0.25% Pb:</b> No	<b>Spare Parts Only:</b> Yes
<b>Approved:</b> 22-Jan-1993	<b>Renewed:</b> 22-Jan-2020	<b>Bypass:</b>
<b>Shutoffs:</b> ii,fff,jjj		

---

<b>Type:</b> RP	<b>Manufacturer:</b> Febco	<b>Model:</b> 825YR
<b>Size:</b> 1	<b>Orientation:</b> H	<b>Meters:</b>
<b>Manual:</b> 8	<b>0.25% Pb:</b> No	<b>Spare Parts Only:</b> Yes
<b>Approved:</b> 22-Jan-1993	<b>Renewed:</b> 22-Jan-2020	<b>Bypass:</b>
<b>Shutoffs:</b> ii,fff,jjj		

**Type:** RP  
**Size:** 1 1/2  
**Manual:** 8  
**Approved:** 23-Jul-1993  
**Shutoffs:** ii,fff,jjj  
**Manufacturer:** Febco  
**Orientation:** H  
**0.25% Pb:** No  
**Renewed:** 23-Jul-2020  
**Model:** 825YR  
**Meters:**  
**Spare Parts Only:** Yes  
**Bypass:**

---

**Type:** RP  
**Size:** 2  
**Manual:** 8  
**Approved:** 23-Jul-1993  
**Shutoffs:** ii,fff  
**Manufacturer:** Febco  
**Orientation:** H  
**0.25% Pb:** No  
**Renewed:** 23-Jul-2020  
**Model:** 825YR  
**Meters:**  
**Spare Parts Only:** Yes  
**Bypass:**

---

**Type:** RP  
**Size:** 1/2  
**Manual:** 9  
**Approved:** 09-Apr-1998  
**Shutoffs:** (fff),ooo  
**Manufacturer:** Febco  
**Orientation:** H  
**0.25% Pb:** No  
**Renewed:** 09-Apr-2022  
**Model:** 860  
**Meters:**  
**Spare Parts Only:** No  
**Bypass:**

---

**Type:** RP  
**Size:** 3/4  
**Manual:** 9  
**Approved:** 21-Nov-1997  
**Shutoffs:** (fff),jjj,ooo  
**Manufacturer:** Febco  
**Orientation:** H  
**0.25% Pb:** No  
**Renewed:** 21-Nov-2021  
**Model:** 860  
**Meters:**  
**Spare Parts Only:** No  
**Bypass:**

---

**Type:** RP  
**Size:** 1  
**Manual:** 9  
**Approved:** 21-Nov-1997  
**Shutoffs:** (fff),jjj,ooo  
**Manufacturer:** Febco  
**Orientation:** H  
**0.25% Pb:** No  
**Renewed:** 21-Nov-2021  
**Model:** 860  
**Meters:**  
**Spare Parts Only:** No  
**Bypass:**

---

**Type:** RP  
**Size:** 1 1/4  
**Manual:** 9  
**Approved:** 04-Jun-1998  
**Shutoffs:** (fff),jjj,ooo  
**Manufacturer:** Febco  
**Orientation:** H  
**0.25% Pb:** No  
**Renewed:** 04-Jun-2022  
**Model:** 860  
**Meters:**  
**Spare Parts Only:** No  
**Bypass:**

---

**Type:** RP  
**Size:** 1 1/2  
**Manual:** 9  
**Approved:** 09-Apr-1998  
**Shutoffs:** (fff),jjj,ooo  
**Manufacturer:** Febco  
**Orientation:** H  
**0.25% Pb:** No  
**Renewed:** 09-Apr-2022  
**Model:** 860  
**Meters:**  
**Spare Parts Only:** No  
**Bypass:**

**Type:** RP                                      **Manufacturer:** Febco                                      **Model:** 860  
**Size:** 2                                      **Orientation:** H                                      **Meters:**  
**Manual:** 9                                      **0.25% Pb:** No                                      **Spare Parts Only:** Yes  
**Approved:** 09-Apr-1998                                      **Renewed:** 09-Apr-2022                                      **Bypass:**  
**Shutoffs:** (fff),ooo

---

**Type:** RP                                      **Manufacturer:** Febco                                      **Model:** 860  
**Size:** 2 1/2                                      **Orientation:** H                                      **Meters:**  
**Manual:** 8                                      **0.25% Pb:** No                                      **Spare Parts Only:** Yes  
**Approved:** 19-Apr-1996                                      **Renewed:** 19-Apr-2020                                      **Bypass:**  
**Shutoffs:** (ee),ff,ll,mm,oo,pp,tt,uu.zzz,cccc,ffff,gggg

---

**Type:** RP                                      **Manufacturer:** Febco                                      **Model:** 860  
**Size:** 3                                      **Orientation:** H                                      **Meters:**  
**Manual:** 8                                      **0.25% Pb:** No                                      **Spare Parts Only:** Yes  
**Approved:** 19-Apr-1996                                      **Renewed:** 19-Apr-2020                                      **Bypass:**  
**Shutoffs:** (ee),ff,ll,mm,oo,pp,tt,uu.zzz,cccc,ffff,gggg

---

**Type:** RP                                      **Manufacturer:** Febco                                      **Model:** 860  
**Size:** 4                                      **Orientation:** H                                      **Meters:**  
**Manual:** 8                                      **0.25% Pb:** No                                      **Spare Parts Only:** Yes  
**Approved:** 31-May-1995                                      **Renewed:** 31-May-2022                                      **Bypass:**  
**Shutoffs:** (ee),ff,ll,mm,oo,pp,tt,uu,nnn,zzz,cccc,ffff,gggg

---

**Type:** RP                                      **Manufacturer:** Febco                                      **Model:** 860  
**Size:** 6                                      **Orientation:** H                                      **Meters:**  
**Manual:** 8                                      **0.25% Pb:** No                                      **Spare Parts Only:** Yes  
**Approved:** 07-Aug-1995                                      **Renewed:** 07-Aug-2022                                      **Bypass:**  
**Shutoffs:** (ee),ff,ll,mm,oo,pp,tt,uu,nnn,zzz,cccc,ffff,gggg

---

**Type:** RP                                      **Manufacturer:** Febco                                      **Model:** 860  
**Size:** 8                                      **Orientation:** H                                      **Meters:**  
**Manual:** 8                                      **0.25% Pb:** No                                      **Spare Parts Only:** Yes  
**Approved:** 04-Oct-1995                                      **Renewed:** 04-Oct-2019                                      **Bypass:**  
**Shutoffs:** (ee),ff,ll,mm,oo,pp,tt,uu,nnn,zzz,cccc,ffff,gggg

---

**Type:** RP                                      **Manufacturer:** Febco                                      **Model:** 860U  
**Size:** 1/2                                      **Orientation:** H                                      **Meters:**  
**Manual:** 9                                      **0.25% Pb:** No                                      **Spare Parts Only:** No  
**Approved:** 12-Oct-1998                                      **Renewed:** 12-Oct-2019                                      **Bypass:**  
**Shutoffs:** (kkk)



**Type:** RP                              **Manufacturer:** Febco                              **Model:** 860U  
**Size:** 3/4                              **Orientation:** H                              **Meters:**  
**Manual:** 9                              **0.25% Pb:** No                              **Spare Parts Only:** No  
**Approved:** 12-Oct-1998                              **Renewed:** 12-Oct-2019                              **Bypass:**  
**Shutoffs:** (kkk)

---

**Type:** RP                              **Manufacturer:** Febco                              **Model:** 860U  
**Size:** 1                              **Orientation:** H                              **Meters:**  
**Manual:** 9                              **0.25% Pb:** No                              **Spare Parts Only:** No  
**Approved:** 12-Oct-1998                              **Renewed:** 12-Oct-2019                              **Bypass:**  
**Shutoffs:** (kkk)

---

**Type:** RP                              **Manufacturer:** Febco                              **Model:** 860U  
**Size:** 1 1/4                              **Orientation:** H                              **Meters:**  
**Manual:** 9                              **0.25% Pb:** No                              **Spare Parts Only:** No  
**Approved:** 12-Oct-1998                              **Renewed:** 12-Oct-2019                              **Bypass:**  
**Shutoffs:** (kkk)

---

**Type:** RP                              **Manufacturer:** Febco                              **Model:** 860U  
**Size:** 1 1/2                              **Orientation:** H                              **Meters:**  
**Manual:** 9                              **0.25% Pb:** No                              **Spare Parts Only:** No  
**Approved:** 12-Oct-1998                              **Renewed:** 12-Oct-2019                              **Bypass:**  
**Shutoffs:** (kkk)

---

**Type:** RP                              **Manufacturer:** Febco                              **Model:** 860U  
**Size:** 2                              **Orientation:** H                              **Meters:**  
**Manual:** 9                              **0.25% Pb:** No                              **Spare Parts Only:** No  
**Approved:** 12-Oct-1998                              **Renewed:** 12-Oct-2019                              **Bypass:**  
**Shutoffs:** (kkk)

---

**Type:** RP                              **Manufacturer:** Febco                              **Model:** 867  
**Size:** 2 1/2                              **Orientation:** H                              **Meters:**  
**Manual:** 8                              **0.25% Pb:** No                              **Spare Parts Only:** Yes  
**Approved:** 01-Aug-2006                              **Renewed:** 01-Aug-2021                              **Bypass:**  
**Shutoffs:** (oo), gg, hh,ll, mm, pp, tt, uu, yy, fff

---

**Type:** RP                              **Manufacturer:** Febco                              **Model:** 867  
**Size:** 3                              **Orientation:** H                              **Meters:**  
**Manual:** 8                              **0.25% Pb:** No                              **Spare Parts Only:** Yes  
**Approved:** 01-Aug-2006                              **Renewed:** 01-Aug-2021                              **Bypass:**  
**Shutoffs:** (oo), gg, hh,ll, mm, pp, tt, uu, yy, eee, fff

**Type:** RP                                 **Manufacturer:** Febco                         **Model:** 880  
**Size:** 2 1/2                                 **Orientation:** VUVD                         **Meters:**  
**Manual:** 8                                 **0.25% Pb:** No                                 **Spare Parts Only:** Yes  
**Approved:** 24-May-1995                         **Renewed:** 24-May-2022                         **Bypass:**  
**Shutoffs:** ee,ff,ll,mm,oo,pp,tt,uu,zzz,ffff,gggg

---

**Type:** RP                                 **Manufacturer:** Febco                         **Model:** 880  
**Size:** 3                                 **Orientation:** VUVD                         **Meters:**  
**Manual:** 8                                 **0.25% Pb:** No                                 **Spare Parts Only:** Yes  
**Approved:** 24-May-1995                         **Renewed:** 24-May-2022                         **Bypass:**  
**Shutoffs:** ee,ff,ll,mm,oo,pp,tt,uu,zzz,ffff,gggg

---

**Type:** RP                                 **Manufacturer:** Febco                         **Model:** 880  
**Size:** 4                                 **Orientation:** VUVD                         **Meters:**  
**Manual:** 8                                 **0.25% Pb:** No                                 **Spare Parts Only:** Yes  
**Approved:** 10-Mar-1995                         **Renewed:** 10-Mar-2022                         **Bypass:**  
**Shutoffs:** ee,ff,ll,mm,oo,pp,tt,uu,zzz,ffff,gggg

---

**Type:** RP                                 **Manufacturer:** Febco                         **Model:** 880  
**Size:** 6                                 **Orientation:** VUVD                         **Meters:**  
**Manual:** 8                                 **0.25% Pb:** No                                 **Spare Parts Only:** Yes  
**Approved:** 19-May-1995                         **Renewed:** 19-May-2022                         **Bypass:**  
**Shutoffs:** ee,ff,ll,mm,oo,pp,tt,uu,zzz,ffff,gggg

---

**Type:** RP                                 **Manufacturer:** Febco                         **Model:** 880  
**Size:** 8                                 **Orientation:** VUVD                         **Meters:**  
**Manual:** 8                                 **0.25% Pb:** No                                 **Spare Parts Only:** Yes  
**Approved:** 19-May-1995                         **Renewed:** 19-May-2022                         **Bypass:**  
**Shutoffs:** ee,ff,ll,mm,oo,pp,tt,uu,zzz,ffff,gggg

---

**Type:** RP                                 **Manufacturer:** Febco                         **Model:** 880  
**Size:** 10                                 **Orientation:** VUVD                         **Meters:**  
**Manual:** 8                                 **0.25% Pb:** No                                 **Spare Parts Only:** Yes  
**Approved:** 04-Oct-1996                         **Renewed:** 04-Oct-2020                         **Bypass:**  
**Shutoffs:** ee,ff,ll,mm,oo,pp,tt,uu,zzz,ffff,gggg

---

**Type:** RP                                 **Manufacturer:** Febco                         **Model:** 880V  
**Size:** 2 1/2                                 **Orientation:** VUVD                         **Meters:**  
**Manual:** 8                                 **0.25% Pb:** No                                 **Spare Parts Only:** Yes  
**Approved:** 30-Jun-1995                         **Renewed:** 30-Jun-2022                         **Bypass:**  
**Shutoffs:** (ee),ff,ll,mm,oo,pp,tt,uu,nnn,zzz,cccc,ffff,gggg

**Type:** RP                                      **Manufacturer:** Febco                                      **Model:** 880V  
**Size:** 2 1/2                                      **Orientation:** VUVU                                      **Meters:**  
**Manual:** 8                                      **0.25% Pb:** No                                      **Spare Parts Only:** Yes  
**Approved:** 30-Jun-1995                                      **Renewed:** 30-Jun-2022                                      **Bypass:**  
**Shutoffs:** (ee),ff,ll,mm,oo,pp,tt,uu,nnn,zzz,cccc,ffff,gggg

---

**Type:** RP                                      **Manufacturer:** Febco                                      **Model:** 880V  
**Size:** 3                                      **Orientation:** VUVD                                      **Meters:**  
**Manual:** 8                                      **0.25% Pb:** No                                      **Spare Parts Only:** Yes  
**Approved:** 30-Jun-1995                                      **Renewed:** 30-Jun-2022                                      **Bypass:**  
**Shutoffs:** (ee),ff,ll,mm,oo,pp,tt,uu,nnn,zzz,cccc,ffff,gggg

---

**Type:** RP                                      **Manufacturer:** Febco                                      **Model:** 880V  
**Size:** 3                                      **Orientation:** VUVU                                      **Meters:**  
**Manual:** 8                                      **0.25% Pb:** No                                      **Spare Parts Only:** Yes  
**Approved:** 30-Jun-1995                                      **Renewed:** 30-Jun-2022                                      **Bypass:**  
**Shutoffs:** (ee),ff,ll,mm,oo,pp,tt,uu,nnn,zzz,cccc,ffff,gggg

---

**Type:** RP                                      **Manufacturer:** Febco                                      **Model:** 880V  
**Size:** 4                                      **Orientation:** VUVD                                      **Meters:**  
**Manual:** 8                                      **0.25% Pb:** No                                      **Spare Parts Only:** Yes  
**Approved:** 08-Aug-1995                                      **Renewed:** 08-Aug-2022                                      **Bypass:**  
**Shutoffs:** (ee),ff,ll,mm,oo,pp,tt,uu,nnn,zzz,cccc,ffff,gggg

---

**Type:** RP                                      **Manufacturer:** Febco                                      **Model:** 880V  
**Size:** 4                                      **Orientation:** VUVU                                      **Meters:**  
**Manual:** 8                                      **0.25% Pb:** No                                      **Spare Parts Only:** Yes  
**Approved:** 08-Aug-1995                                      **Renewed:** 08-Aug-2022                                      **Bypass:**  
**Shutoffs:** (ee),ff,ll,mm,oo,pp,tt,uu,nnn,zzz,cccc,ffff,gggg

---

**Type:** RP                                      **Manufacturer:** Febco                                      **Model:** 880V  
**Size:** 6                                      **Orientation:** VUVD                                      **Meters:**  
**Manual:** 8                                      **0.25% Pb:** No                                      **Spare Parts Only:** Yes  
**Approved:** 05-Jul-1995                                      **Renewed:** 05-Jul-2022                                      **Bypass:**  
**Shutoffs:** (ee),ff,ll,mm,oo,pp,tt,uu,nnn,zzz,cccc,ffff,gggg

---

**Type:** RP                                      **Manufacturer:** Febco                                      **Model:** 880V  
**Size:** 6                                      **Orientation:** VUVU                                      **Meters:**  
**Manual:** 8                                      **0.25% Pb:** No                                      **Spare Parts Only:** Yes  
**Approved:** 05-Jul-1995                                      **Renewed:** 05-Jul-2022                                      **Bypass:**  
**Shutoffs:** (ee),ff,ll,mm,oo,pp,tt,uu,nnn,zzz,cccc,ffff,gggg

**Type:** RP                                      **Manufacturer:** Febco                                      **Model:** 880V  
**Size:** 8    **Orientation:** VUVD                                      **Meters:**  
**Manual:** 8    **0.25% Pb:** No                                      **Spare Parts Only:** Yes  
**Approved:** 18-Dec-1996                                      **Renewed:** 18-Dec-2020                                      **Bypass:**  
**Shutoffs:** (ee),ff,ll,mm,oo,pp,tt,uu,nnn,zzz,cccc,ffff,gggg

---

**Type:** RP                                      **Manufacturer:** Febco                                      **Model:** 880V  
**Size:** 8    **Orientation:** VUVU                                      **Meters:**  
**Manual:** 8    **0.25% Pb:** No                                      **Spare Parts Only:** Yes  
**Approved:** 18-Dec-1996                                      **Renewed:** 18-Dec-2020                                      **Bypass:**  
**Shutoffs:** (ee),ff,ll,mm,oo,pp,tt,uu,nnn,zzz,cccc,ffff,gggg

---

**Type:** RP                                      **Manufacturer:** Febco                                      **Model:** 880V  
**Size:** 10    **Orientation:** VUVD                                      **Meters:**  
**Manual:** 8    **0.25% Pb:** No                                      **Spare Parts Only:** Yes  
**Approved:** 17-Jun-1997                                      **Renewed:** 17-Jun-2021                                      **Bypass:**  
**Shutoffs:** (ee),ff,ll,mm,oo,pp,tt,uu,nnn,zzz,cccc,ffff,gggg

---

**Type:** RP                                      **Manufacturer:** Febco                                      **Model:** 880V  
**Size:** 10    **Orientation:** VUVU                                      **Meters:**  
**Manual:** 8    **0.25% Pb:** No                                      **Spare Parts Only:** Yes  
**Approved:** 17-Jun-1997                                      **Renewed:** 17-Jun-2021                                      **Bypass:**  
**Shutoffs:** (ee),ff,ll,mm,oo,pp,tt,uu,nnn,zzz,cccc,ffff,gggg

---

**Type:** RP                                      **Manufacturer:** Febco                                      **Model:** LF825Y  
**Size:** 3/4    **Orientation:** H                                      **Meters:**  
**Manual:** 8    **0.25% Pb:** Yes                                      **Spare Parts Only:** No  
**Approved:** 18-Feb-2010                                      **Renewed:** 18-Feb-2022                                      **Bypass:**  
**Shutoffs:** (qqqqq), hhhh

---

**Type:** RP                                      **Manufacturer:** Febco                                      **Model:** LF825Y  
**Size:** 1    **Orientation:** H                                      **Meters:**  
**Manual:** 8    **0.25% Pb:** Yes                                      **Spare Parts Only:** No  
**Approved:** 18-Feb-2010                                      **Renewed:** 18-Feb-2022                                      **Bypass:**  
**Shutoffs:** (qqqqq), hhhh

---

**Type:** RP                                      **Manufacturer:** Febco                                      **Model:** LF825Y  
**Size:** 1 1/2    **Orientation:** H                                      **Meters:**  
**Manual:** 8    **0.25% Pb:** Yes                                      **Spare Parts Only:** No  
**Approved:** 25-Mar-2010                                      **Renewed:** 25-Mar-2022                                      **Bypass:**  
**Shutoffs:** (qqqqq), hhhh

**Type:** RP  
**Size:** 2  
**Manual:** 8  
**Approved:** 25-Mar-2010  
**Shutoffs:** (qqqqq), hhhh

**Manufacturer:** Febco  
**Orientation:** H  
**0.25% Pb:** Yes  
**Renewed:** 25-Mar-2022

**Model:** LF825Y  
**Meters:**  
**Spare Parts Only:** No  
**Bypass:**

---

**Type:** RP  
**Size:** 3/4  
**Manual:** 8  
**Approved:** 18-Feb-2010  
**Shutoffs:** (qqqqq), hhhh

**Manufacturer:** Febco  
**Orientation:** H  
**0.25% Pb:** Yes  
**Renewed:** 18-Feb-2022

**Model:** LF825YA  
**Meters:**  
**Spare Parts Only:** No  
**Bypass:**

---

**Type:** RP  
**Size:** 3/4  
**Manual:** 8  
**Approved:** 18-Feb-2010  
**Shutoffs:** (qqqqq), hhhh

**Manufacturer:** Febco  
**Orientation:** HVD  
**0.25% Pb:** Yes  
**Renewed:** 18-Feb-2022

**Model:** LF825YA  
**Meters:**  
**Spare Parts Only:** No  
**Bypass:**

---

**Type:** RP  
**Size:** 3/4  
**Manual:** 8  
**Approved:** 18-Feb-2010  
**Shutoffs:** (qqqqq), hhhh

**Manufacturer:** Febco  
**Orientation:** VUH  
**0.25% Pb:** Yes  
**Renewed:** 18-Feb-2022

**Model:** LF825YA  
**Meters:**  
**Spare Parts Only:** No  
**Bypass:**

---

**Type:** RP  
**Size:** 3/4  
**Manual:** 8  
**Approved:** 18-Feb-2010  
**Shutoffs:** (qqqqq), hhhh

**Manufacturer:** Febco  
**Orientation:** VUVD  
**0.25% Pb:** Yes  
**Renewed:** 18-Feb-2022

**Model:** LF825YA  
**Meters:**  
**Spare Parts Only:** No  
**Bypass:**

---

**Type:** RP  
**Size:** 1  
**Manual:** 8  
**Approved:** 18-Feb-2010  
**Shutoffs:** (qqqqq), hhhh

**Manufacturer:** Febco  
**Orientation:** H  
**0.25% Pb:** Yes  
**Renewed:** 18-Feb-2022

**Model:** LF825YA  
**Meters:**  
**Spare Parts Only:** No  
**Bypass:**

---

**Type:** RP  
**Size:** 1  
**Manual:** 8  
**Approved:** 18-Feb-2010  
**Shutoffs:** (qqqqq), hhhh

**Manufacturer:** Febco  
**Orientation:** HVD  
**0.25% Pb:** Yes  
**Renewed:** 18-Feb-2022

**Model:** LF825YA  
**Meters:**  
**Spare Parts Only:** No  
**Bypass:**

**Type:** RP  
**Size:** 1  
**Manual:** 8  
**Approved:** 18-Feb-2010  
**Shutoffs:** (qqqqq), hhhh

**Manufacturer:** Febco  
**Orientation:** VUH  
**0.25% Pb:** Yes  
**Renewed:** 18-Feb-2022

**Model:** LF825YA  
**Meters:**  
**Spare Parts Only:** No  
**Bypass:**

---

**Type:** RP  
**Size:** 1  
**Manual:** 8  
**Approved:** 18-Feb-2010  
**Shutoffs:** (qqqqq), hhhh

**Manufacturer:** Febco  
**Orientation:** VUVD  
**0.25% Pb:** Yes  
**Renewed:** 18-Feb-2022

**Model:** LF825YA  
**Meters:**  
**Spare Parts Only:** No  
**Bypass:**

---

**Type:** RP  
**Size:** 1 1/2  
**Manual:** 8  
**Approved:** 25-Mar-2010  
**Shutoffs:** (qqqqq), hhhh

**Manufacturer:** Febco  
**Orientation:** H  
**0.25% Pb:** Yes  
**Renewed:** 25-Mar-2022

**Model:** LF825YA  
**Meters:**  
**Spare Parts Only:** No  
**Bypass:**

---

**Type:** RP  
**Size:** 1 1/2  
**Manual:** 8  
**Approved:** 25-Mar-2010  
**Shutoffs:** (qqqqq), hhhh

**Manufacturer:** Febco  
**Orientation:** HVD  
**0.25% Pb:** Yes  
**Renewed:** 25-Mar-2022

**Model:** LF825YA  
**Meters:**  
**Spare Parts Only:** No  
**Bypass:**

---

**Type:** RP  
**Size:** 1 1/2  
**Manual:** 8  
**Approved:** 25-Mar-2010  
**Shutoffs:** (qqqqq), hhhh

**Manufacturer:** Febco  
**Orientation:** VUH  
**0.25% Pb:** Yes  
**Renewed:** 25-Mar-2022

**Model:** LF825YA  
**Meters:**  
**Spare Parts Only:** No  
**Bypass:**

---

**Type:** RP  
**Size:** 1 1/2  
**Manual:** 8  
**Approved:** 25-Mar-2010  
**Shutoffs:** (qqqqq), hhhh

**Manufacturer:** Febco  
**Orientation:** VUVD  
**0.25% Pb:** Yes  
**Renewed:** 25-Mar-2022

**Model:** LF825YA  
**Meters:**  
**Spare Parts Only:** No  
**Bypass:**

---

**Type:** RP  
**Size:** 2  
**Manual:** 8  
**Approved:** 25-Mar-2010  
**Shutoffs:** (qqqqq), hhhh

**Manufacturer:** Febco  
**Orientation:** H  
**0.25% Pb:** Yes  
**Renewed:** 25-Mar-2022

**Model:** LF825YA  
**Meters:**  
**Spare Parts Only:** No  
**Bypass:**

**Type:** RP  
**Size:** 2  
**Manual:** 8  
**Approved:** 25-Mar-2010  
**Shutoffs:** (qqqqq), hhhh

**Manufacturer:** Febco  
**Orientation:** HVD  
**0.25% Pb:** Yes  
**Renewed:** 25-Mar-2022

**Model:** LF825YA  
**Meters:**  
**Spare Parts Only:** No  
**Bypass:**

---

**Type:** RP  
**Size:** 2  
**Manual:** 8  
**Approved:** 25-Mar-2010  
**Shutoffs:** (qqqqq), hhhh

**Manufacturer:** Febco  
**Orientation:** VUH  
**0.25% Pb:** Yes  
**Renewed:** 25-Mar-2022

**Model:** LF825YA  
**Meters:**  
**Spare Parts Only:** No  
**Bypass:**

---

**Type:** RP  
**Size:** 2  
**Manual:** 8  
**Approved:** 25-Mar-2010  
**Shutoffs:** (qqqqq), hhhh

**Manufacturer:** Febco  
**Orientation:** VUVD  
**0.25% Pb:** Yes  
**Renewed:** 25-Mar-2022

**Model:** LF825YA  
**Meters:**  
**Spare Parts Only:** No  
**Bypass:**

---

**Type:** RP  
**Size:** 1/2  
**Manual:** 9  
**Approved:** 18-Feb-2010  
**Shutoffs:** (qqqqq), hhhh

**Manufacturer:** Febco  
**Orientation:** H  
**0.25% Pb:** Yes  
**Renewed:** 18-Feb-2022

**Model:** LF860  
**Meters:**  
**Spare Parts Only:** No  
**Bypass:**

---

**Type:** RP  
**Size:** 3/4  
**Manual:** 9  
**Approved:** 18-Feb-2010  
**Shutoffs:** (qqqqq), hhhh

**Manufacturer:** Febco  
**Orientation:** H  
**0.25% Pb:** Yes  
**Renewed:** 18-Feb-2022

**Model:** LF860  
**Meters:**  
**Spare Parts Only:** No  
**Bypass:**

---

**Type:** RP  
**Size:** 1  
**Manual:** 9  
**Approved:** 18-Feb-2010  
**Shutoffs:** (qqqqq), hhhh

**Manufacturer:** Febco  
**Orientation:** H  
**0.25% Pb:** Yes  
**Renewed:** 18-Feb-2022

**Model:** LF860  
**Meters:**  
**Spare Parts Only:** No  
**Bypass:**

---

**Type:** RP  
**Size:** 1 1/4  
**Manual:** 9  
**Approved:** 18-Feb-2010  
**Shutoffs:** (qqqqq), hhhh

**Manufacturer:** Febco  
**Orientation:** H  
**0.25% Pb:** Yes  
**Renewed:** 18-Feb-2022

**Model:** LF860  
**Meters:**  
**Spare Parts Only:** No  
**Bypass:**

**Type:** RP  
**Size:** 1 1/2  
**Manual:** 9  
**Approved:** 18-Feb-2010  
**Shutoffs:** (qqqqq), hhhh

**Manufacturer:** Febco  
**Orientation:** H  
**0.25% Pb:** Yes  
**Renewed:** 18-Feb-2022

**Model:** LF860  
**Meters:**  
**Spare Parts Only:** No  
**Bypass:**

---

**Type:** RP  
**Size:** 2  
**Manual:** 9  
**Approved:** 18-Feb-2010  
**Shutoffs:** (qqqqq), hhhh

**Manufacturer:** Febco  
**Orientation:** H  
**0.25% Pb:** Yes  
**Renewed:** 18-Feb-2022

**Model:** LF860  
**Meters:**  
**Spare Parts Only:** No  
**Bypass:**

---

**Type:** RP  
**Size:** 2 1/2  
**Manual:** 9  
**Approved:** 28-May-2013  
**Shutoffs:** (ll),mm,oo,pp,zzz,cccc,dddd,eeee,ffff,gggg,nnnnn

**Manufacturer:** Febco  
**Orientation:** H  
**0.25% Pb:** Yes  
**Renewed:** 28-May-2022

**Model:** LF860  
**Meters:**  
**Spare Parts Only:** No  
**Bypass:**

---

**Type:** RP  
**Size:** 3  
**Manual:** 9  
**Approved:** 28-May-2013  
**Shutoffs:** (ll),mm,oo,pp,zzz,cccc,dddd,eeee,ffff,gggg,nnnnn

**Manufacturer:** Febco  
**Orientation:** H  
**0.25% Pb:** Yes  
**Renewed:** 28-May-2022

**Model:** LF860  
**Meters:**  
**Spare Parts Only:** No  
**Bypass:**

---

**Type:** RP  
**Size:** 4  
**Manual:** 9  
**Approved:** 14-Jun-2013  
**Shutoffs:** (ll),mm,oo,pp,zzz,cccc,dddd,eeee,ffff,gggg,nnnnn

**Manufacturer:** Febco  
**Orientation:** H  
**0.25% Pb:** Yes  
**Renewed:** 14-Jun-2022

**Model:** LF860  
**Meters:**  
**Spare Parts Only:** No  
**Bypass:**

---

**Type:** RP  
**Size:** 6  
**Manual:** 9  
**Approved:** 14-Jun-2013  
**Shutoffs:** (ll),mm,oo,pp,zzz,cccc,dddd,eeee,ffff,gggg,nnnnn

**Manufacturer:** Febco  
**Orientation:** H  
**0.25% Pb:** Yes  
**Renewed:** 14-Jun-2022

**Model:** LF860  
**Meters:**  
**Spare Parts Only:** No  
**Bypass:**

---

**Type:** RP  
**Size:** 8  
**Manual:** 9  
**Approved:** 03-Sep-2013  
**Shutoffs:** (ll),mm,oo,pp,zzz,cccc,dddd,eeee,ffff,gggg,nnnnn

**Manufacturer:** Febco  
**Orientation:** H  
**0.25% Pb:** Yes  
**Renewed:** 03-Sep-2022

**Model:** LF860  
**Meters:**  
**Spare Parts Only:** No  
**Bypass:**



**Type:** RP    **Manufacturer:** Febco    **Model:** LF860  
**Size:** 10    **Orientation:** H    **Meters:**  
**Manual:** 9    **0.25% Pb:** Yes    **Spare Parts Only:** No  
**Approved:** 25-Sep-2013    **Renewed:** 25-Sep-2019    **Bypass:**  
**Shutoffs:** (ll),mm,oo,pp,zzz,cccc,dddd,eeee,ffff,gggg,nnnn

---

**Type:** RP    **Manufacturer:** Febco    **Model:** LF860U  
**Size:** 1/2    **Orientation:** H    **Meters:**  
**Manual:** 9    **0.25% Pb:** Yes    **Spare Parts Only:** No  
**Approved:** 03-Sep-2013    **Renewed:** 03-Sep-2022    **Bypass:**  
**Shutoffs:** (ppppp), hhhh

---

**Type:** RP    **Manufacturer:** Febco    **Model:** LF860U  
**Size:** 3/4    **Orientation:** H    **Meters:**  
**Manual:** 9    **0.25% Pb:** Yes    **Spare Parts Only:** No  
**Approved:** 03-Sep-2013    **Renewed:** 03-Sep-2022    **Bypass:**  
**Shutoffs:** (ppppp), hhhh

---

**Type:** RP    **Manufacturer:** Febco    **Model:** LF860U  
**Size:** 1    **Orientation:** H    **Meters:**  
**Manual:** 9    **0.25% Pb:** Yes    **Spare Parts Only:** No  
**Approved:** 03-Sep-2013    **Renewed:** 03-Sep-2022    **Bypass:**  
**Shutoffs:** (ppppp), hhhh

---

**Type:** RP    **Manufacturer:** Febco    **Model:** LF860U  
**Size:** 1 1/4    **Orientation:** H    **Meters:**  
**Manual:** 9    **0.25% Pb:** Yes    **Spare Parts Only:** No  
**Approved:** 03-Sep-2013    **Renewed:** 03-Sep-2022    **Bypass:**  
**Shutoffs:** (ppppp), hhhh

---

**Type:** RP    **Manufacturer:** Febco    **Model:** LF860U  
**Size:** 1 1/2    **Orientation:** H    **Meters:**  
**Manual:** 9    **0.25% Pb:** Yes    **Spare Parts Only:** No  
**Approved:** 03-Sep-2013    **Renewed:** 03-Sep-2022    **Bypass:**  
**Shutoffs:** (ppppp), hhhh

---

**Type:** RP    **Manufacturer:** Febco    **Model:** LF860U  
**Size:** 2    **Orientation:** H    **Meters:**  
**Manual:** 9    **0.25% Pb:** Yes    **Spare Parts Only:** No  
**Approved:** 03-Sep-2013    **Renewed:** 03-Sep-2022    **Bypass:**  
**Shutoffs:** (ppppp), hhhh

**Type:** RP                                      **Manufacturer:** Febco                                      **Model:** LF880V  
**Size:** 2 1/2                                      **Orientation:** VUVD                                      **Meters:**  
**Manual:** 9                                      **0.25% Pb:** Yes                                      **Spare Parts Only:** No  
**Approved:** 28-May-2013                                      **Renewed:** 28-May-2022                                      **Bypass:**  
**Shutoffs:** (ll),mm,oo,pp,zzz,cccc,dddd,eeee,ffff,gggg,nnnnn

---

**Type:** RP                                      **Manufacturer:** Febco                                      **Model:** LF880V  
**Size:** 2 1/2                                      **Orientation:** VUVU                                      **Meters:**  
**Manual:** 9                                      **0.25% Pb:** Yes                                      **Spare Parts Only:** No  
**Approved:** 28-May-2013                                      **Renewed:** 28-May-2022                                      **Bypass:**  
**Shutoffs:** (ll),mm,oo,pp,zzz,cccc,dddd,eeee,ffff,gggg,nnnnn

---

**Type:** RP                                      **Manufacturer:** Febco                                      **Model:** LF880V  
**Size:** 3                                      **Orientation:** VUVD                                      **Meters:**  
**Manual:** 9                                      **0.25% Pb:** Yes                                      **Spare Parts Only:** No  
**Approved:** 28-May-2013                                      **Renewed:** 28-May-2022                                      **Bypass:**  
**Shutoffs:** (ll),mm,oo,pp,zzz,cccc,dddd,eeee,ffff,gggg,nnnnn

---

**Type:** RP                                      **Manufacturer:** Febco                                      **Model:** LF880V  
**Size:** 3                                      **Orientation:** VUVU                                      **Meters:**  
**Manual:** 9                                      **0.25% Pb:** Yes                                      **Spare Parts Only:** No  
**Approved:** 28-May-2013                                      **Renewed:** 28-May-2022                                      **Bypass:**  
**Shutoffs:** (ll),mm,oo,pp,zzz,cccc,dddd,eeee,ffff,gggg,nnnnn

---

**Type:** RP                                      **Manufacturer:** Febco                                      **Model:** LF880V  
**Size:** 4                                      **Orientation:** VUVD                                      **Meters:**  
**Manual:** 9                                      **0.25% Pb:** Yes                                      **Spare Parts Only:** No  
**Approved:** 28-May-2013                                      **Renewed:** 28-May-2022                                      **Bypass:**  
**Shutoffs:** (ll),mm,oo,pp,zzz,cccc,dddd,eeee,ffff,gggg,nnnnn

---

**Type:** RP                                      **Manufacturer:** Febco                                      **Model:** LF880V  
**Size:** 4                                      **Orientation:** VUVU                                      **Meters:**  
**Manual:** 9                                      **0.25% Pb:** Yes                                      **Spare Parts Only:** No  
**Approved:** 28-May-2013                                      **Renewed:** 28-May-2022                                      **Bypass:**  
**Shutoffs:** (ll),mm,oo,pp,zzz,cccc,dddd,eeee,ffff,gggg,nnnnn

---

**Type:** RP                                      **Manufacturer:** Febco                                      **Model:** LF880V  
**Size:** 6                                      **Orientation:** VUVD                                      **Meters:**  
**Manual:** 9                                      **0.25% Pb:** Yes                                      **Spare Parts Only:** No  
**Approved:** 03-Sep-2013                                      **Renewed:** 03-Sep-2022                                      **Bypass:**  
**Shutoffs:** (ll),mm,oo,pp,zzz,cccc,dddd,eeee,ffff,gggg,nnnnn

<b>Type:</b> RP	<b>Manufacturer:</b> Febco	<b>Model:</b> LF880V
<b>Size:</b> 6	<b>Orientation:</b> VUVU	<b>Meters:</b>
<b>Manual:</b> 9	<b>0.25% Pb:</b> Yes	<b>Spare Parts Only:</b> No
<b>Approved:</b> 03-Sep-2013	<b>Renewed:</b> 03-Sep-2022	<b>Bypass:</b>
<b>Shutoffs:</b> (ll),mm,oo,pp,zzz,cccc,dddd,eeee,ffff,gggg,nnnnn		

---

<b>Type:</b> RP	<b>Manufacturer:</b> Febco	<b>Model:</b> LF880V
<b>Size:</b> 8	<b>Orientation:</b> VUVD	<b>Meters:</b>
<b>Manual:</b> 9	<b>0.25% Pb:</b> Yes	<b>Spare Parts Only:</b> No
<b>Approved:</b> 26-Nov-2013	<b>Renewed:</b> 26-Nov-2019	<b>Bypass:</b>
<b>Shutoffs:</b> (ll),mm,oo,pp,zzz,cccc,dddd,eeee,ffff,gggg,nnnnn		

---

<b>Type:</b> RP	<b>Manufacturer:</b> Febco	<b>Model:</b> LF880V
<b>Size:</b> 8	<b>Orientation:</b> VUVU	<b>Meters:</b>
<b>Manual:</b> 9	<b>0.25% Pb:</b> Yes	<b>Spare Parts Only:</b> No
<b>Approved:</b> 26-Nov-2013	<b>Renewed:</b> 26-Nov-2019	<b>Bypass:</b>
<b>Shutoffs:</b> (ll),mm,oo,pp,zzz,cccc,dddd,eeee,ffff,gggg,nnnnn		

---

<b>Type:</b> RP	<b>Manufacturer:</b> Febco	<b>Model:</b> LF880V
<b>Size:</b> 10	<b>Orientation:</b> VUVD	<b>Meters:</b>
<b>Manual:</b> 10	<b>0.25% Pb:</b> Yes	<b>Spare Parts Only:</b> No
<b>Approved:</b> 29-May-2018	<b>Renewed:</b> 29-May-2021	<b>Bypass:</b>
<b>Shutoffs:</b> (ll),mm,oo,pp,zzz,cccc,dddd,eeee,ffff,gggg,nnnnn		

---

<b>Type:</b> RP	<b>Manufacturer:</b> Febco	<b>Model:</b> LF880V
<b>Size:</b> 10	<b>Orientation:</b> VUVU	<b>Meters:</b>
<b>Manual:</b> 10	<b>0.25% Pb:</b> Yes	<b>Spare Parts Only:</b> No
<b>Approved:</b> 29-May-2018	<b>Renewed:</b> 29-May-2021	<b>Bypass:</b>
<b>Shutoffs:</b> (ll),mm,oo,pp,zzz,cccc,dddd,eeee,ffff,gggg,nnnnn		

---

<b>Type:</b> RP	<b>Manufacturer:</b> Febco	<b>Model:</b> LF880W
<b>Size:</b> 4	<b>Orientation:</b> VUVD	<b>Meters:</b>
<b>Manual:</b> 9	<b>0.25% Pb:</b> Yes	<b>Spare Parts Only:</b> No
<b>Approved:</b> 26-Mar-2020	<b>Renewed:</b>	<b>Bypass:</b>
<b>Shutoffs:</b> (mm), ll,oo,pp,zzz,cccc,dddd,eeee,ffff,gggg,nnnnn		

---

<b>Type:</b> RP	<b>Manufacturer:</b> Febco	<b>Model:</b> LF880W
<b>Size:</b> 4	<b>Orientation:</b> VUVU	<b>Meters:</b>
<b>Manual:</b> 9	<b>0.25% Pb:</b> Yes	<b>Spare Parts Only:</b> No
<b>Approved:</b> 26-Mar-2020	<b>Renewed:</b>	<b>Bypass:</b>
<b>Shutoffs:</b> (mm), ll,oo,pp,zzz,cccc,dddd,eeee,ffff,gggg,nnnnn		

**Type:** RP                                      **Manufacturer:** Febco                                      **Model:** LF880W  
**Size:** 6    **Orientation:** VUVD                                      **Meters:**  
**Manual:** 9    **0.25% Pb:** Yes                                      **Spare Parts Only:** No  
**Approved:** 26-Mar-2020                                      **Renewed:**                                      **Bypass:**  
**Shutoffs:** (mm), ll,oo,pp,zzz,cccc,dddd,eeee,ffff,gggg,nnnnn

---

**Type:** RP                                      **Manufacturer:** Febco                                      **Model:** LF880W  
**Size:** 6    **Orientation:** VUVU                                      **Meters:**  
**Manual:** 9    **0.25% Pb:** Yes                                      **Spare Parts Only:** No  
**Approved:** 26-Mar-2020                                      **Renewed:**                                      **Bypass:**  
**Shutoffs:** (mm), ll,oo,pp,zzz,cccc,dddd,eeee,ffff,gggg,nnnnn

---

**Type:** RP                                      **Manufacturer:** Febco                                      **Model:** LF880W  
**Size:** 8    **Orientation:** VUVD                                      **Meters:**  
**Manual:** 9    **0.25% Pb:** Yes                                      **Spare Parts Only:** No  
**Approved:** 15-May-2020                                      **Renewed:**                                      **Bypass:**  
**Shutoffs:** (ll),mm,oo,pp,zzz,cccc,dddd,eeee,ffff,gggg,nnnnn

---

**Type:** RP                                      **Manufacturer:** Febco                                      **Model:** LF880W  
**Size:** 8    **Orientation:** VUVU                                      **Meters:**  
**Manual:** 9    **0.25% Pb:** Yes                                      **Spare Parts Only:** No  
**Approved:** 15-May-2020                                      **Renewed:**                                      **Bypass:**  
**Shutoffs:** (ll),mm,oo,pp,zzz,cccc,dddd,eeee,ffff,gggg,nnnnn

---

**Type:** RP                                      **Manufacturer:** Febco                                      **Model:** LF880W  
**Size:** 10    **Orientation:** VUVD                                      **Meters:**  
**Manual:** 10    **0.25% Pb:** Yes                                      **Spare Parts Only:** No  
**Approved:** 15-May-2020                                      **Renewed:**                                      **Bypass:**  
**Shutoffs:** (ll),mm,oo,pp,zzz,cccc,dddd,eeee,ffff,gggg,nnnnn

---

**Type:** RP                                      **Manufacturer:** Febco                                      **Model:** LF880W  
**Size:** 10    **Orientation:** VUVU                                      **Meters:**  
**Manual:** 10    **0.25% Pb:** Yes                                      **Spare Parts Only:** No  
**Approved:** 15-May-2020                                      **Renewed:**                                      **Bypass:**  
**Shutoffs:** (ll),mm,oo,pp,zzz,cccc,dddd,eeee,ffff,gggg,nnnnn

---

**Type:** RP                                      **Manufacturer:** Febco                                      **Model:** LF880WZ  
**Size:** 4    **Orientation:** VUVD                                      **Meters:**  
**Manual:** 9    **0.25% Pb:** Yes                                      **Spare Parts Only:** No  
**Approved:** 26-Mar-2020                                      **Renewed:**                                      **Bypass:**  
**Shutoffs:** (mm), ll,oo,pp,zzz,cccc,dddd,eeee,ffff,gggg,nnnnn

**Type:** RP                                      **Manufacturer:** Febco                                      **Model:** LF880WZ  
**Size:** 4    **Orientation:** VUVU                                      **Meters:**  
**Manual:** 9    **0.25% Pb:** Yes    **Spare Parts Only:** No  
**Approved:** 26-Mar-2020                      **Renewed:**    **Bypass:**  
**Shutoffs:** (mm), ll,oo,pp,zzz,cccc,dddd,eeee,ffff,gggg,nnnnn

---

**Type:** RP                                      **Manufacturer:** Febco                                      **Model:** LF880WZ  
**Size:** 6    **Orientation:** VUVD                                      **Meters:**  
**Manual:** 9    **0.25% Pb:** Yes    **Spare Parts Only:** No  
**Approved:** 26-Mar-2020                      **Renewed:**    **Bypass:**  
**Shutoffs:** (mm), ll,oo,pp,zzz,cccc,dddd,eeee,ffff,gggg,nnnnn

---

**Type:** RP                                      **Manufacturer:** Febco                                      **Model:** LF880WZ  
**Size:** 6    **Orientation:** VUVU                                      **Meters:**  
**Manual:** 9    **0.25% Pb:** Yes    **Spare Parts Only:** No  
**Approved:** 26-Mar-2020                      **Renewed:**    **Bypass:**  
**Shutoffs:** (mm), ll,oo,pp,zzz,cccc,dddd,eeee,ffff,gggg,nnnnn

---

**Type:** RP                                      **Manufacturer:** Febco                                      **Model:** LF880WZ  
**Size:** 8    **Orientation:** VUVD                                      **Meters:**  
**Manual:** 9    **0.25% Pb:** Yes    **Spare Parts Only:** No  
**Approved:** 15-May-2020                      **Renewed:**    **Bypass:**  
**Shutoffs:** (ll),mm,oo,pp,zzz,cccc,dddd,eeee,ffff,gggg,nnnnn

---

**Type:** RP                                      **Manufacturer:** Febco                                      **Model:** LF880WZ  
**Size:** 8    **Orientation:** VUVU                                      **Meters:**  
**Manual:** 9    **0.25% Pb:** Yes    **Spare Parts Only:** No  
**Approved:** 15-May-2020                      **Renewed:**    **Bypass:**  
**Shutoffs:** (ll),mm,oo,pp,zzz,cccc,dddd,eeee,ffff,gggg,nnnnn

---

**Type:** RP                                      **Manufacturer:** Febco                                      **Model:** LF880WZ  
**Size:** 10    **Orientation:** VUVD                                      **Meters:**  
**Manual:** 10    **0.25% Pb:** Yes    **Spare Parts Only:** No  
**Approved:** 15-May-2020                      **Renewed:**    **Bypass:**  
**Shutoffs:** (ll),mm,oo,pp,zzz,cccc,dddd,eeee,ffff,gggg,nnnnn

---

**Type:** RP                                      **Manufacturer:** Febco                                      **Model:** LF880WZ  
**Size:** 10    **Orientation:** VUVU                                      **Meters:**  
**Manual:** 10    **0.25% Pb:** Yes    **Spare Parts Only:** No  
**Approved:** 15-May-2020                      **Renewed:**    **Bypass:**  
**Shutoffs:** (ll),mm,oo,pp,zzz,cccc,dddd,eeee,ffff,gggg,nnnnn

**Type:** RP                                      **Manufacturer:** Neptune                                      **Model:**  
**Size:**    **Orientation:**    **Meters:**  
**Manual:**    **0.25% Pb:** No    **Spare Parts Only:** No  
**Approved:**                                      **Renewed:**    **Bypass:**  
**Notes:** See Wilkins

---

**Type:** RP                                      **Manufacturer:** Watts                                      **Model:** 009  
**Size:** 2 1/2                                      **Orientation:** H    **Meters:**  
**Manual:** 8    **0.25% Pb:** No    **Spare Parts Only:** Yes  
**Approved:** 31-Aug-1990                      **Renewed:** 31-Aug-2020                              **Bypass:**  
**Shutoffs:** (oo),gg,hh,ll,mm,pp,tt,uu,yy,ffff,gggg

---

**Type:** RP                                      **Manufacturer:** Watts                                      **Model:** 009  
**Size:** 3    **Orientation:** H    **Meters:**  
**Manual:** 8    **0.25% Pb:** No    **Spare Parts Only:** Yes  
**Approved:** 31-Aug-1990                      **Renewed:** 31-Aug-2020                              **Bypass:**  
**Shutoffs:** (oo),gg,hh,ll,mm,pp,tt,uu,yy,eee,ffff,gggg

---

**Type:** RP                                      **Manufacturer:** Watts                                      **Model:** 009M1PCQT  
**Size:** 1 1/4                                      **Orientation:** H    **Meters:**  
**Manual:** 8    **0.25% Pb:** No    **Spare Parts Only:** Yes  
**Approved:** 27-Sep-1994                      **Renewed:** 27-Sep-2021                              **Bypass:**  
**Shutoffs:** vv,xx,ooo,hhhh,pppp,rrrrr

---

**Type:** RP                                      **Manufacturer:** Watts                                      **Model:** 009M1PCQT  
**Size:** 1 1/2                                      **Orientation:** H    **Meters:**  
**Manual:** 8    **0.25% Pb:** No    **Spare Parts Only:** Yes  
**Approved:** 27-Sep-1994                      **Renewed:** 27-Sep-2021                              **Bypass:**  
**Shutoffs:** vv,xx,ooo,hhhh,pppp,rrrrr

---

**Type:** RP                                      **Manufacturer:** Watts                                      **Model:** 009M1PCQT  
**Size:** 2    **Orientation:** H    **Meters:**  
**Manual:** 8    **0.25% Pb:** No    **Spare Parts Only:** Yes  
**Approved:** 27-Sep-1994                      **Renewed:** 27-Sep-2021                              **Bypass:**  
**Shutoffs:** vv,xx,ooo,hhhh,pppp,rrrrr

---

**Type:** RP                                      **Manufacturer:** Watts                                      **Model:** 009M1QT  
**Size:** 1 1/4                                      **Orientation:** H    **Meters:**  
**Manual:** 8    **0.25% Pb:** No    **Spare Parts Only:** Yes  
**Approved:** 30-Jun-1992                      **Renewed:** 30-Jun-2022                              **Bypass:**  
**Shutoffs:** vv,xx,ooo,hhhh,pppp,rrrrr

<b>Type:</b> RP	<b>Manufacturer:</b> Watts	<b>Model:</b> 009M1QT
<b>Size:</b> 1 1/2	<b>Orientation:</b> H	<b>Meters:</b>
<b>Manual:</b> 8	<b>0.25% Pb:</b> No	<b>Spare Parts Only:</b> Yes
<b>Approved:</b> 30-Jun-1992	<b>Renewed:</b> 30-Jun-2022	<b>Bypass:</b>
<b>Shutoffs:</b> vv,xx,ooo,hhhh,pppp,rrrr		

---

<b>Type:</b> RP	<b>Manufacturer:</b> Watts	<b>Model:</b> 009M1QT
<b>Size:</b> 2	<b>Orientation:</b> H	<b>Meters:</b>
<b>Manual:</b> 8	<b>0.25% Pb:</b> No	<b>Spare Parts Only:</b> Yes
<b>Approved:</b> 19-Dec-1991	<b>Renewed:</b> 19-Dec-2021	<b>Bypass:</b>
<b>Shutoffs:</b> vv,xx,ooo,hhhh,pppp,rrrr		

---

<b>Type:</b> RP	<b>Manufacturer:</b> Watts	<b>Model:</b> 009M2-FP
<b>Size:</b> 1	<b>Orientation:</b> H	<b>Meters:</b>
<b>Manual:</b> 9	<b>0.25% Pb:</b> No	<b>Spare Parts Only:</b> No
<b>Approved:</b> 01-Sep-2009	<b>Renewed:</b> 01-Sep-2021	<b>Bypass:</b>
<b>Shutoffs:</b> (eeee)		

---

<b>Type:</b> RP	<b>Manufacturer:</b> Watts	<b>Model:</b> 009M2-FP
<b>Size:</b> 1 1/4	<b>Orientation:</b> H	<b>Meters:</b>
<b>Manual:</b> 9	<b>0.25% Pb:</b> No	<b>Spare Parts Only:</b> No
<b>Approved:</b> 01-Sep-2009	<b>Renewed:</b> 01-Sep-2021	<b>Bypass:</b>
<b>Shutoffs:</b> (eeee)		

---

<b>Type:</b> RP	<b>Manufacturer:</b> Watts	<b>Model:</b> 009M2-FP
<b>Size:</b> 1 1/2	<b>Orientation:</b> H	<b>Meters:</b>
<b>Manual:</b> 9	<b>0.25% Pb:</b> No	<b>Spare Parts Only:</b> No
<b>Approved:</b> 01-Sep-2009	<b>Renewed:</b> 01-Sep-2021	<b>Bypass:</b>
<b>Shutoffs:</b> (eeee)		

---

<b>Type:</b> RP	<b>Manufacturer:</b> Watts	<b>Model:</b> 009M2-FP
<b>Size:</b> 2	<b>Orientation:</b> H	<b>Meters:</b>
<b>Manual:</b> 9	<b>0.25% Pb:</b> No	<b>Spare Parts Only:</b> No
<b>Approved:</b> 01-Sep-2009	<b>Renewed:</b> 01-Sep-2021	<b>Bypass:</b>
<b>Shutoffs:</b> (eeee)		

---

<b>Type:</b> RP	<b>Manufacturer:</b> Watts	<b>Model:</b> 009M2PCQT
<b>Size:</b> 3/4	<b>Orientation:</b> H	<b>Meters:</b>
<b>Manual:</b> 8	<b>0.25% Pb:</b> No	<b>Spare Parts Only:</b> No
<b>Approved:</b> 07-Oct-2002	<b>Renewed:</b> 07-Oct-2020	<b>Bypass:</b>
<b>Shutoffs:</b> (vv),xx,ooo,hhhh,pppp,rrrr		

**Type:** RP  
**Size:** 1  
**Manual:** 9  
**Approved:** 15-Jan-1999  
**Shutoffs:** (vv),xx,ooo,hhhh,pppp,rrrr

**Manufacturer:** Watts  
**Orientation:** H  
**0.25% Pb:** No  
**Renewed:** 15-Jan-2020

**Model:** 009M2PCQT  
**Meters:**  
**Spare Parts Only:** No  
**Bypass:**

---

**Type:** RP  
**Size:** 1 1/4  
**Manual:** 8  
**Approved:** 12-Sep-1994  
**Shutoffs:** (vv),xx,ooo,hhhh,pppp,rrrr

**Manufacturer:** Watts  
**Orientation:** H  
**0.25% Pb:** No  
**Renewed:** 12-Sep-2021

**Model:** 009M2PCQT  
**Meters:**  
**Spare Parts Only:** No  
**Bypass:**

---

**Type:** RP  
**Size:** 1 1/2  
**Manual:** 8  
**Approved:** 12-Sep-1994  
**Shutoffs:** (vv),xx,ooo,hhhh,pppp,rrrr

**Manufacturer:** Watts  
**Orientation:** H  
**0.25% Pb:** No  
**Renewed:** 12-Sep-2021

**Model:** 009M2PCQT  
**Meters:**  
**Spare Parts Only:** No  
**Bypass:**

---

**Type:** RP  
**Size:** 2  
**Manual:** 9  
**Approved:** 26-Aug-1997  
**Shutoffs:** (vv),xx,ooo,hhhh,pppp,rrrr

**Manufacturer:** Watts  
**Orientation:** H  
**0.25% Pb:** No  
**Renewed:** 26-Aug-2021

**Model:** 009M2PCQT  
**Meters:**  
**Spare Parts Only:** No  
**Bypass:**

---

**Type:** RP  
**Size:** 3/4  
**Manual:** 8  
**Approved:** 31-Oct-1992  
**Shutoffs:** (vv),xx,ooo,hhhh,pppp,rrrr

**Manufacturer:** Watts  
**Orientation:** H  
**0.25% Pb:** No  
**Renewed:** 31-Oct-2019

**Model:** 009M2QT  
**Meters:**  
**Spare Parts Only:** No  
**Bypass:**

---

**Type:** RP  
**Size:** 1  
**Manual:** 9  
**Approved:** 18-May-1998  
**Shutoffs:** (vv),xx,ooo,hhhh,pppp,rrrr

**Manufacturer:** Watts  
**Orientation:** H  
**0.25% Pb:** No  
**Renewed:** 18-May-2022

**Model:** 009M2QT  
**Meters:**  
**Spare Parts Only:** No  
**Bypass:**

---

**Type:** RP  
**Size:** 1 1/4  
**Manual:** 8  
**Approved:** 24-Aug-1993  
**Shutoffs:** (vv),xx,ooo,hhhh,pppp,rrrr

**Manufacturer:** Watts  
**Orientation:** H  
**0.25% Pb:** No  
**Renewed:** 24-Aug-2020

**Model:** 009M2QT  
**Meters:**  
**Spare Parts Only:** No  
**Bypass:**



**Type:** RP  
**Size:** 1 1/2  
**Manual:** 8  
**Approved:** 24-Aug-1993  
**Shutoffs:** (vv),xx,ooo,hhhh,pppp,rrrr

**Manufacturer:** Watts  
**Orientation:** H  
**0.25% Pb:** No  
**Renewed:** 24-Aug-2020

**Model:** 009M2QT  
**Meters:**  
**Spare Parts Only:** No  
**Bypass:**

---

**Type:** RP  
**Size:** 2  
**Manual:** 9  
**Approved:** 10-Sep-1996  
**Shutoffs:** (vv),xx,ooo,hhhh,pppp,rrrr

**Manufacturer:** Watts  
**Orientation:** H  
**0.25% Pb:** No  
**Renewed:** 10-Sep-2020

**Model:** 009M2QT  
**Meters:**  
**Spare Parts Only:** No  
**Bypass:**

---

**Type:** RP  
**Size:** 3/4  
**Manual:** 9  
**Approved:** 01-Sep-2009  
**Shutoffs:** (eeee)

**Manufacturer:** Watts  
**Orientation:** H  
**0.25% Pb:** No  
**Renewed:** 01-Sep-2021

**Model:** 009M3-FP  
**Meters:**  
**Spare Parts Only:** No  
**Bypass:**

---

**Type:** RP  
**Size:** 3/4  
**Manual:** 9  
**Approved:** 18-Oct-1999  
**Shutoffs:** (vv),xx,ooo,hhhh,pppp,rrrr

**Manufacturer:** Watts  
**Orientation:** H  
**0.25% Pb:** No  
**Renewed:** 18-Oct-2020

**Model:** 009M3QT  
**Meters:**  
**Spare Parts Only:** No  
**Bypass:**

---

**Type:** RP  
**Size:** 1/2  
**Manual:** 8  
**Approved:** 17-Feb-1995  
**Shutoffs:** (vv),xx,ooo,hhhh,pppp,rrrr

**Manufacturer:** Watts  
**Orientation:** H  
**0.25% Pb:** No  
**Renewed:** 17-Feb-2022

**Model:** 009PCQT  
**Meters:**  
**Spare Parts Only:** Yes  
**Bypass:**

---

**Type:** RP  
**Size:** 3/4  
**Manual:** 8  
**Approved:** 10-Dec-1993  
**Shutoffs:** (vv),xx,ooo,hhhh,pppp,rrrr

**Manufacturer:** Watts  
**Orientation:** H  
**0.25% Pb:** No  
**Renewed:** 10-Dec-2020

**Model:** 009PCQT  
**Meters:**  
**Spare Parts Only:** Yes  
**Bypass:**

---

**Type:** RP  
**Size:** 1  
**Manual:** 8  
**Approved:** 10-Dec-1993  
**Shutoffs:** vv,xx,ooo,hhhh,pppp,rrrr

**Manufacturer:** Watts  
**Orientation:** H  
**0.25% Pb:** No  
**Renewed:** 10-Dec-2020

**Model:** 009PCQT  
**Meters:**  
**Spare Parts Only:** Yes  
**Bypass:**

**Type:** RP    **Manufacturer:** Watts    **Model:** 009PCQT  
**Size:** 1 1/4    **Orientation:** H    **Meters:**  
**Manual:** 8    **0.25% Pb:** No    **Spare Parts Only:** Yes  
**Approved:** 27-Sep-1994    **Renewed:** 27-Sep-2021    **Bypass:**  
**Shutoffs:** vv,xx,ooo,hhhh,pppp,rrrrr

---

**Type:** RP    **Manufacturer:** Watts    **Model:** 009PCQT  
**Size:** 1 1/2    **Orientation:** H    **Meters:**  
**Manual:** 8    **0.25% Pb:** No    **Spare Parts Only:** Yes  
**Approved:** 27-Sep-1994    **Renewed:** 27-Sep-2021    **Bypass:**  
**Shutoffs:** vv,xx,ooo,hhhh,pppp,rrrrr

---

**Type:** RP    **Manufacturer:** Watts    **Model:** 009PCQT  
**Size:** 2    **Orientation:** H    **Meters:**  
**Manual:** 8    **0.25% Pb:** No    **Spare Parts Only:** Yes  
**Approved:** 27-Sep-1994    **Renewed:** 27-Sep-2021    **Bypass:**  
**Shutoffs:** vv,xx,ooo,hhhh,pppp,rrrrr

---

**Type:** RP    **Manufacturer:** Watts    **Model:** 009QT  
**Size:** 1/4    **Orientation:** H    **Meters:**  
**Manual:** 8    **0.25% Pb:** No    **Spare Parts Only:** No  
**Approved:** 07-Aug-1995    **Renewed:** 07-Aug-2022    **Bypass:**  
**Shutoffs:** (vv),xx,ooo,hhhh,pppp

---

**Type:** RP    **Manufacturer:** Watts    **Model:** 009QT  
**Size:** 3/8    **Orientation:** H    **Meters:**  
**Manual:** 8    **0.25% Pb:** No    **Spare Parts Only:** No  
**Approved:** 07-Aug-1995    **Renewed:** 07-Aug-2022    **Bypass:**  
**Shutoffs:** (vv),xx,ooo,hhhh,pppp

---

**Type:** RP    **Manufacturer:** Watts    **Model:** 009QT  
**Size:** 1/2    **Orientation:** H    **Meters:**  
**Manual:** 9    **0.25% Pb:** No    **Spare Parts Only:** No  
**Approved:** 10-Sep-1996    **Renewed:** 10-Sep-2020    **Bypass:**  
**Shutoffs:** (vv),xx,ooo,hhhh,pppp,rrrrr  
**Notes:** Previously approved 8th Ed. 26 May 1993

<b>Type:</b> RP	<b>Manufacturer:</b> Watts	<b>Model:</b> 009QT
<b>Size:</b> 3/4	<b>Orientation:</b> H	<b>Meters:</b>
<b>Manual:</b> 7	<b>0.25% Pb:</b> No	<b>Spare Parts Only:</b> Yes
<b>Approved:</b> 11-Jan-1988	<b>Renewed:</b> 11-Jan-2021	<b>Bypass:</b>
<b>Shutoffs:</b> (vv),xx,ooo,hhhh,pppp,rrrr		

---

<b>Type:</b> RP	<b>Manufacturer:</b> Watts	<b>Model:</b> 009QT
<b>Size:</b> 1	<b>Orientation:</b> H	<b>Meters:</b>
<b>Manual:</b> 7	<b>0.25% Pb:</b> No	<b>Spare Parts Only:</b> Yes
<b>Approved:</b> 11-Jan-1988	<b>Renewed:</b> 11-Jan-2021	<b>Bypass:</b>
<b>Shutoffs:</b> vv,xx,ooo,hhhh,pppp,rrrr		

---

<b>Type:</b> RP	<b>Manufacturer:</b> Watts	<b>Model:</b> 009QT
<b>Size:</b> 1 1/4	<b>Orientation:</b> H	<b>Meters:</b>
<b>Manual:</b> 7	<b>0.25% Pb:</b> No	<b>Spare Parts Only:</b> Yes
<b>Approved:</b> 09-Aug-1988	<b>Renewed:</b> 09-Aug-2021	<b>Bypass:</b>
<b>Shutoffs:</b> vv,xx,ooo,hhhh,pppp,rrrr		

---

<b>Type:</b> RP	<b>Manufacturer:</b> Watts	<b>Model:</b> 009QT
<b>Size:</b> 1 1/2	<b>Orientation:</b> H	<b>Meters:</b>
<b>Manual:</b> 7	<b>0.25% Pb:</b> No	<b>Spare Parts Only:</b> Yes
<b>Approved:</b> 09-Aug-1988	<b>Renewed:</b> 09-Aug-2021	<b>Bypass:</b>
<b>Shutoffs:</b> vv,xx,ooo,hhhh,pppp,rrrr		

---

<b>Type:</b> RP	<b>Manufacturer:</b> Watts	<b>Model:</b> 009QT
<b>Size:</b> 2	<b>Orientation:</b> H	<b>Meters:</b>
<b>Manual:</b> 7	<b>0.25% Pb:</b> No	<b>Spare Parts Only:</b> Yes
<b>Approved:</b> 09-Aug-1988	<b>Renewed:</b> 09-Aug-2021	<b>Bypass:</b>
<b>Shutoffs:</b> vv,xx,ooo,hhhh,pppp,rrrr		

---

<b>Type:</b> RP	<b>Manufacturer:</b> Watts	<b>Model:</b> 009SSM1PCQT
<b>Size:</b> 2	<b>Orientation:</b> H	<b>Meters:</b>
<b>Manual:</b> 8	<b>0.25% Pb:</b> No	<b>Spare Parts Only:</b> Yes
<b>Approved:</b> 27-Sep-1994	<b>Renewed:</b> 27-Sep-2021	<b>Bypass:</b>
<b>Shutoffs:</b> vv,xx,pppp		

---

<b>Type:</b> RP	<b>Manufacturer:</b> Watts	<b>Model:</b> 009SSM1QT
<b>Size:</b> 2	<b>Orientation:</b> H	<b>Meters:</b>
<b>Manual:</b> 8	<b>0.25% Pb:</b> No	<b>Spare Parts Only:</b> Yes
<b>Approved:</b> 19-Dec-1991	<b>Renewed:</b> 19-Dec-2021	<b>Bypass:</b>
<b>Shutoffs:</b> vv,xx,pppp		

**Type:** RP  
**Size:** 3/4  
**Manual:** 8  
**Approved:** 10-Dec-1993  
**Shutoffs:** vv,xx,pppp

**Manufacturer:** Watts  
**Orientation:** H  
**0.25% Pb:** No  
**Renewed:** 10-Dec-2020

**Model:** 009SSPCQT  
**Meters:**  
**Spare Parts Only:** Yes  
**Bypass:**

---

**Type:** RP  
**Size:** 1  
**Manual:** 8  
**Approved:** 10-Dec-1993  
**Shutoffs:** vv,xx,pppp

**Manufacturer:** Watts  
**Orientation:** H  
**0.25% Pb:** No  
**Renewed:** 10-Dec-2020

**Model:** 009SSPCQT  
**Meters:**  
**Spare Parts Only:** Yes  
**Bypass:**

---

**Type:** RP  
**Size:** 1 1/4  
**Manual:** 8  
**Approved:** 27-Sep-1994  
**Shutoffs:** vv,xx,pppp

**Manufacturer:** Watts  
**Orientation:** H  
**0.25% Pb:** No  
**Renewed:** 27-Sep-2021

**Model:** 009SSPCQT  
**Meters:**  
**Spare Parts Only:** Yes  
**Bypass:**

---

**Type:** RP  
**Size:** 1 1/2  
**Manual:** 8  
**Approved:** 27-Sep-1994  
**Shutoffs:** vv,xx,pppp

**Manufacturer:** Watts  
**Orientation:** H  
**0.25% Pb:** No  
**Renewed:** 27-Sep-2021

**Model:** 009SSPCQT  
**Meters:**  
**Spare Parts Only:** Yes  
**Bypass:**

---

**Type:** RP  
**Size:** 2  
**Manual:** 8  
**Approved:** 27-Sep-1994  
**Shutoffs:** vv,xx,pppp

**Manufacturer:** Watts  
**Orientation:** H  
**0.25% Pb:** No  
**Renewed:** 27-Sep-2021

**Model:** 009SSPCQT  
**Meters:**  
**Spare Parts Only:** Yes  
**Bypass:**

---

**Type:** RP  
**Size:** 3/4  
**Manual:** 7  
**Approved:** 11-Jan-1988  
**Shutoffs:** vv,xx,pppp

**Manufacturer:** Watts  
**Orientation:** H  
**0.25% Pb:** No  
**Renewed:** 11-Jan-2021

**Model:** 009SSQT  
**Meters:**  
**Spare Parts Only:** Yes  
**Bypass:**

---

**Type:** RP  
**Size:** 1  
**Manual:** 7  
**Approved:** 11-Jan-1988  
**Shutoffs:** vv,xx,pppp

**Manufacturer:** Watts  
**Orientation:** H  
**0.25% Pb:** No  
**Renewed:** 11-Jan-2021

**Model:** 009SSQT  
**Meters:**  
**Spare Parts Only:** Yes  
**Bypass:**

**Type:** RP                                **Manufacturer:** Watts                                **Model:** 009SSQT  
**Size:** 1 1/4                                **Orientation:** H                                **Meters:**  
**Manual:** 7                                **0.25% Pb:** No                                **Spare Parts Only:** Yes  
**Approved:** 09-Aug-1988                                **Renewed:** 09-Aug-2021                                **Bypass:**  
**Shutoffs:** vv,xx,pppp

---

**Type:** RP                                **Manufacturer:** Watts                                **Model:** 009SSQT  
**Size:** 1 1/2                                **Orientation:** H                                **Meters:**  
**Manual:** 7                                **0.25% Pb:** No                                **Spare Parts Only:** Yes  
**Approved:** 09-Aug-1988                                **Renewed:** 09-Aug-2021                                **Bypass:**  
**Shutoffs:** vv,xx,pppp

---

**Type:** RP                                **Manufacturer:** Watts                                **Model:** 009SSQT  
**Size:** 2                                **Orientation:** H                                **Meters:**  
**Manual:** 7                                **0.25% Pb:** No                                **Spare Parts Only:** Yes  
**Approved:** 09-Aug-1988                                **Renewed:** 09-Aug-2021                                **Bypass:**  
**Shutoffs:** vv,xx,pppp

---

**Type:** RP                                **Manufacturer:** Watts                                **Model:** 909  
**Size:** 2 1/2                                **Orientation:** H                                **Meters:**  
**Manual:** 7                                **0.25% Pb:** No                                **Spare Parts Only:** Yes  
**Approved:** 12-Jun-1986                                **Renewed:** 12-Jun-2022                                **Bypass:**  
**Shutoffs:** (oo),gg,hh,ll,mm,pp,tt,uu,ww,yy,ffff,gggg

---

**Type:** RP                                **Manufacturer:** Watts                                **Model:** 909  
**Size:** 3                                **Orientation:** H                                **Meters:**  
**Manual:** 7                                **0.25% Pb:** No                                **Spare Parts Only:** Yes  
**Approved:** 12-Jun-1986                                **Renewed:** 12-Jun-2022                                **Bypass:**  
**Shutoffs:** (oo),gg,hh,ll,mm,pp,tt,uu,ww,yy,eee,ffff,gggg  
**Notes:** formerly 909NRS/909OSY/909NRSRW/909OSYRW/909RW

---

**Type:** RP                                **Manufacturer:** Watts                                **Model:** 909  
**Size:** 4                                **Orientation:** H                                **Meters:**  
**Manual:** 6                                **0.25% Pb:** No                                **Spare Parts Only:** Yes  
**Approved:** 15-Jan-1982                                **Renewed:** 15-Jan-2021                                **Bypass:**  
**Shutoffs:** (oo),gg,hh,ll,mm,pp,tt,uu,ww,yy,eee,ffff,gggg  
**Notes:** formerly 909NRS/909OSY/909NRSRW/909OSYRW/909RW

---

**Type:** RP    **Manufacturer:** Watts    **Model:** 909  
**Size:** 6    **Orientation:** H    **Meters:**  
**Manual:** 6    **0.25% Pb:** No     **Spare Parts Only:** Yes  
**Approved:** 06-Jul-1981    **Renewed:** 06-Jul-2020     **Bypass:**  
**Shutoffs:** (oo),gg,hh,ll,mm,pp,tt,uu,ww,yy,eee,ffff,gggg  
**Notes:** formerly 909NRS/909OSY/909NRSRW/909OSYRW/909RW

---

**Type:** RP    **Manufacturer:** Watts    **Model:** 909  
**Size:** 8    **Orientation:** H    **Meters:**  
**Manual:** 6    **0.25% Pb:** No     **Spare Parts Only:** Yes  
**Approved:** 06-Jul-1981    **Renewed:** 06-Jul-2020     **Bypass:**  
**Notes:** formerly 909NRS/909OSY/909NRSRW/909OSYRW/909RW

---

**Type:** RP    **Manufacturer:** Watts    **Model:** 909  
**Size:** 10    **Orientation:** H     **Meters:**  
**Manual:** 6    **0.25% Pb:** No     **Spare Parts Only:** Yes  
**Approved:** 06-Jul-1981    **Renewed:** 06-Jul-2020     **Bypass:**  
**Notes:** formerly 909NRS/909OSY/909NRSRW/909OSYRW/909RW

---

**Type:** RP    **Manufacturer:** Watts    **Model:** 909BB  
**Size:** 2 1/2    **Orientation:** H     **Meters:**  
**Manual:** 6    **0.25% Pb:** No     **Spare Parts Only:** Yes  
**Approved:** 04-Feb-1983    **Renewed:** 04-Feb-2022     **Bypass:**  
**Shutoffs:** (oo),gg,hh,ll,mm,pp,tt,uu,yy,ffff,gggg

---

**Type:** RP    **Manufacturer:** Watts    **Model:** 909BB  
**Size:** 3     **Orientation:** H     **Meters:**  
**Manual:** 6    **0.25% Pb:** No     **Spare Parts Only:** Yes  
**Approved:** 04-Feb-1983    **Renewed:** 04-Feb-2022     **Bypass:**  
**Shutoffs:** (oo),gg,hh,ll,mm,pp,tt,uu,yy,ffff,gggg

---

**Type:** RP    **Manufacturer:** Watts    **Model:** 909HWQT  
**Size:** 3/4    **Orientation:** H     **Meters:**  
**Manual:** 5    **0.25% Pb:** No     **Spare Parts Only:** Yes  
**Approved:** 29-Sep-1979    **Renewed:** 29-Sep-2021     **Bypass:**  
**Shutoffs:** (vv),xx,ooo,hhhh,pppp,rrrrr

**Type:** RP                                      **Manufacturer:** Watts                                      **Model:** 909HWQT  
**Size:** 1    **Orientation:** H    **Meters:**  
**Manual:** 5                                      **0.25% Pb:** No    **Spare Parts Only:** Yes  
**Approved:** 29-Sep-1979                      **Renewed:** 29-Sep-2021                                      **Bypass:**  
**Shutoffs:** (vv),xx,ooo,hhhh,pppp,rrrr

---

**Type:** RP                                      **Manufacturer:** Watts                                      **Model:** 909HWQT  
**Size:** 1 1/4                                      **Orientation:**  
**Manual:**                                      **0.25% Pb:** No    **Spare Parts Only:** No  
**Approved:**                                      **Renewed:**    **Bypass:**  
**Notes:** model designation changed to 909M1HWQT

---

**Type:** RP                                      **Manufacturer:** Watts                                      **Model:** 909HWQT  
**Size:** 1 1/2                                      **Orientation:**  
**Manual:**                                      **0.25% Pb:** No    **Spare Parts Only:** No  
**Approved:**                                      **Renewed:**    **Bypass:**  
**Notes:** model designation changed to 909M1HWQT

---

**Type:** RP                                      **Manufacturer:** Watts                                      **Model:** 909HWQT  
**Size:** 2    **Orientation:**  
**Manual:**                                      **0.25% Pb:** No    **Spare Parts Only:** No  
**Approved:**                                      **Renewed:**    **Bypass:**  
**Notes:** model designation changed to 909M1HWQT

---

**Type:** RP                                      **Manufacturer:** Watts                                      **Model:** 909M1  
**Size:** 8    **Orientation:** H    **Meters:**  
**Manual:** 8                                      **0.25% Pb:** No    **Spare Parts Only:** Yes  
**Approved:** 01-May-1989                      **Renewed:** 01-May-2022                                      **Bypass:**  
**Shutoffs:** (oo),gg,hh,ll,mm,pp,tt,uu,yy,ww,ffff,gggg

---

**Type:** RP                                      **Manufacturer:** Watts                                      **Model:** 909M1  
**Size:** 10                                      **Orientation:** H    **Meters:**  
**Manual:** 8                                      **0.25% Pb:** No    **Spare Parts Only:** Yes  
**Approved:** 01-May-1989                      **Renewed:** 01-May-2022                                      **Bypass:**  
**Shutoffs:** (oo),gg,hh,ll,mm,pp,tt,uu,ww,yy,ffff,gggg

**Type:** RP      **Manufacturer:** Watts      **Model:** 909M1HWQT  
**Size:** 1 1/4      **Orientation:** H      **Meters:**  
**Manual:** 5      **0.25% Pb:** No      **Spare Parts Only:** Yes  
**Approved:** 07-Feb-1980      **Renewed:** 07-Feb-2022      **Bypass:**  
**Shutoffs:** (vv),xx,ooo,hhhh,rrrrr  
**Notes:** formerly 909HWQT

---

**Type:** RP      **Manufacturer:** Watts      **Model:** 909M1HWQT  
**Size:** 1 1/2      **Orientation:** H      **Meters:**  
**Manual:** 5      **0.25% Pb:** No      **Spare Parts Only:** Yes  
**Approved:** 07-Feb-1980      **Renewed:** 07-Feb-2022      **Bypass:**  
**Shutoffs:** (vv),xx,ooo,hhhh,rrrrr  
**Notes:** formerly 909HWQT

---

**Type:** RP      **Manufacturer:** Watts      **Model:** 909M1HWQT  
**Size:** 2      **Orientation:** H      **Meters:**  
**Manual:** 5      **0.25% Pb:** No      **Spare Parts Only:** Yes  
**Approved:** 07-Feb-1980      **Renewed:** 07-Feb-2022      **Bypass:**  
**Shutoffs:** (vv),xx,ooo,hhhh,rrrrr  
**Notes:** formerly 909HWQT

---

**Type:** RP      **Manufacturer:** Watts      **Model:** 909M1PCHWQT  
**Size:** 1 1/4      **Orientation:** H      **Meters:**  
**Manual:** 8      **0.25% Pb:** No      **Spare Parts Only:** Yes  
**Approved:** 02-Feb-1995      **Renewed:** 02-Feb-2022      **Bypass:**  
**Shutoffs:** (vv),xx,ooo,hhhh,rrrrr

---

**Type:** RP      **Manufacturer:** Watts      **Model:** 909M1PCHWQT  
**Size:** 1 1/2      **Orientation:** H      **Meters:**  
**Manual:** 8      **0.25% Pb:** No      **Spare Parts Only:** Yes  
**Approved:** 02-Feb-1995      **Renewed:** 02-Feb-2022      **Bypass:**  
**Shutoffs:** (vv),xx,ooo,hhhh,rrrrr

---

**Type:** RP      **Manufacturer:** Watts      **Model:** 909M1PCHWQT  
**Size:** 2      **Orientation:** H      **Meters:**  
**Manual:** 8      **0.25% Pb:** No      **Spare Parts Only:** Yes  
**Approved:** 02-Feb-1995      **Renewed:** 02-Feb-2022      **Bypass:**  
**Shutoffs:** (vv),xx,ooo,hhhh,rrrrr



**Type:** RP  
**Size:** 1 1/4  
**Manual:** 6  
**Approved:** 15-Jan-1982  
**Shutoffs:** (vv),xx,ooo,hhhh,pppp,rrrr  
**Notes:** formerly 909QT

**Manufacturer:** Watts  
**Orientation:** H  
**0.25% Pb:** No  
**Renewed:** 15-Jan-2021

**Model:** 909M1QT  
**Meters:**  
**Spare Parts Only:** Yes  
**Bypass:**

---

**Type:** RP  
**Size:** 1 1/2  
**Manual:** 6  
**Approved:** 15-Jan-1982  
**Shutoffs:** (vv),xx,ooo,hhhh,pppp,rrrr  
**Notes:** formerly 909QT

**Manufacturer:** Watts  
**Orientation:** H  
**0.25% Pb:** No  
**Renewed:** 15-Jan-2021

**Model:** 909M1QT  
**Meters:**  
**Spare Parts Only:** Yes  
**Bypass:**

---

**Type:** RP  
**Size:** 2  
**Manual:** 6  
**Approved:** 15-Jan-1982  
**Shutoffs:** (vv),xx,ooo,hhhh,pppp,rrrr  
**Notes:** formerly 909QT

**Manufacturer:** Watts  
**Orientation:** H  
**0.25% Pb:** No  
**Renewed:** 15-Jan-2021

**Model:** 909M1QT  
**Meters:**  
**Spare Parts Only:** Yes  
**Bypass:**

---

**Type:** RP  
**Size:** 3  
**Manual:**  
**Approved:**  
**Notes:** model designation changed to 909

**Manufacturer:** Watts  
**Orientation:**  
**0.25% Pb:** No  
**Renewed:**

**Model:** 909NRS  
**Meters:**  
**Spare Parts Only:** No  
**Bypass:**

---

**Type:** RP  
**Size:** 4  
**Manual:**  
**Approved:**  
**Notes:** model designation changed to 909

**Manufacturer:** Watts  
**Orientation:**  
**0.25% Pb:** No  
**Renewed:**

**Model:** 909NRS  
**Meters:**  
**Spare Parts Only:** No  
**Bypass:**

---

**Type:** RP  
**Size:** 6  
**Manual:**  
**Approved:**  
**Notes:** model designation changed to 909

**Manufacturer:** Watts  
**Orientation:**  
**0.25% Pb:** No  
**Renewed:**

**Model:** 909NRS  
**Meters:**  
**Spare Parts Only:** No  
**Bypass:**

**Type:** RP                                      **Manufacturer:** Watts                                      **Model:** 909NRS  
**Size:** 8                                      **Orientation:**                                      **Meters:**  
**Manual:**                                      **0.25% Pb:** No                                      **Spare Parts Only:** No  
**Approved:**                                      **Renewed:**                                      **Bypass:**  
**Notes:** model designation changed to 909

---

**Type:** RP                                      **Manufacturer:** Watts                                      **Model:** 909NRS  
**Size:** 10                                      **Orientation:**                                      **Meters:**  
**Manual:**                                      **0.25% Pb:** No                                      **Spare Parts Only:** No  
**Approved:**                                      **Renewed:**                                      **Bypass:**  
**Notes:** model designation changed to 909

---

**Type:** RP                                      **Manufacturer:** Watts                                      **Model:** 909NRSRW  
**Size:** 3                                      **Orientation:**                                      **Meters:**  
**Manual:**                                      **0.25% Pb:** No                                      **Spare Parts Only:** No  
**Approved:**                                      **Renewed:**                                      **Bypass:**  
**Notes:** model designation changed to 909

---

**Type:** RP                                      **Manufacturer:** Watts                                      **Model:** 909NRSRW  
**Size:** 4                                      **Orientation:**                                      **Meters:**  
**Manual:**                                      **0.25% Pb:** No                                      **Spare Parts Only:** No  
**Approved:**                                      **Renewed:**                                      **Bypass:**  
**Notes:** model designation changed to 909

---

**Type:** RP                                      **Manufacturer:** Watts                                      **Model:** 909NRSRW  
**Size:** 6                                      **Orientation:**                                      **Meters:**  
**Manual:**                                      **0.25% Pb:** No                                      **Spare Parts Only:** No  
**Approved:**                                      **Renewed:**                                      **Bypass:**  
**Notes:** model designation changed to 909

---

**Type:** RP                                      **Manufacturer:** Watts                                      **Model:** 909NRSRW  
**Size:** 8                                      **Orientation:**                                      **Meters:**  
**Manual:**                                      **0.25% Pb:** No                                      **Spare Parts Only:** No  
**Approved:**                                      **Renewed:**                                      **Bypass:**  
**Notes:** model designation changed to 909

---

**Type:** RP                                      **Manufacturer:** Watts                                      **Model:** 909NRSRW  
**Size:** 10                                      **Orientation:**                                      **Meters:**  
**Manual:**                                      **0.25% Pb:** No                                      **Spare Parts Only:** No  
**Approved:**                                      **Renewed:**                                      **Bypass:**  
**Notes:** model designation changed to 909

**Type:** RP                                   **Manufacturer:** Watts                                   **Model:** 909OSY  
**Size:** 3                                   **Orientation:**                                   **Meters:**  
**Manual:**                                   **0.25% Pb:** No                                   **Spare Parts Only:** No  
**Approved:**                                   **Renewed:**                                   **Bypass:**  
**Notes:** model designation changed to 909

---

**Type:** RP                                   **Manufacturer:** Watts                                   **Model:** 909OSY  
**Size:** 4                                   **Orientation:**                                   **Meters:**  
**Manual:**                                   **0.25% Pb:** No                                   **Spare Parts Only:** No  
**Approved:**                                   **Renewed:**                                   **Bypass:**  
**Notes:** model designation changed to 909

---

**Type:** RP                                   **Manufacturer:** Watts                                   **Model:** 909OSY  
**Size:** 6                                   **Orientation:**                                   **Meters:**  
**Manual:**                                   **0.25% Pb:** No                                   **Spare Parts Only:** No  
**Approved:**                                   **Renewed:**                                   **Bypass:**  
**Notes:** model designation changed to 909

---

**Type:** RP                                   **Manufacturer:** Watts                                   **Model:** 909OSY  
**Size:** 8                                   **Orientation:**                                   **Meters:**  
**Manual:**                                   **0.25% Pb:** No                                   **Spare Parts Only:** No  
**Approved:**                                   **Renewed:**                                   **Bypass:**  
**Notes:** model designation changed to 909

---

**Type:** RP                                   **Manufacturer:** Watts                                   **Model:** 909OSY  
**Size:** 10                                   **Orientation:**                                   **Meters:**  
**Manual:**                                   **0.25% Pb:** No                                   **Spare Parts Only:** No  
**Approved:**                                   **Renewed:**                                   **Bypass:**  
**Notes:** model designation changed to 909

---

**Type:** RP                                   **Manufacturer:** Watts                                   **Model:** 909OSYRW  
**Size:** 3                                   **Orientation:**                                   **Meters:**  
**Manual:**                                   **0.25% Pb:** No                                   **Spare Parts Only:** No  
**Approved:**                                   **Renewed:**                                   **Bypass:**  
**Notes:** model designation changed to 909

---

**Type:** RP                                   **Manufacturer:** Watts                                   **Model:** 909OSYRW  
**Size:** 4                                   **Orientation:**                                   **Meters:**  
**Manual:**                                   **0.25% Pb:** No                                   **Spare Parts Only:** No  
**Approved:**                                   **Renewed:**                                   **Bypass:**  
**Notes:** model designation changed to 909

**Type:** RP                              **Manufacturer:** Watts                              **Model:** 909OSYRW  
**Size:** 6                                  **Orientation:**                                      **Meters:**  
**Manual:**                                **0.25% Pb:** No                                      **Spare Parts Only:** No  
**Approved:**                               **Renewed:**    **Bypass:**  
**Notes:** model designation changed to 909

---

**Type:** RP                              **Manufacturer:** Watts                              **Model:** 909OSYRW  
**Size:** 8                                  **Orientation:**                                      **Meters:**  
**Manual:**                                **0.25% Pb:** No                                      **Spare Parts Only:** No  
**Approved:**                               **Renewed:**    **Bypass:**  
**Notes:** model designation changed to 909

---

**Type:** RP                              **Manufacturer:** Watts                              **Model:** 909OSYRW  
**Size:** 10                                **Orientation:**                                      **Meters:**  
**Manual:**                                **0.25% Pb:** No                                      **Spare Parts Only:** No  
**Approved:**                               **Renewed:**    **Bypass:**  
**Notes:** model designation changed to 909

---

**Type:** RP                              **Manufacturer:** Watts                              **Model:** 909PCHWQT  
**Size:** 3/4                               **Orientation:** H                                      **Meters:**  
**Manual:** 8                               **0.25% Pb:** No                                      **Spare Parts Only:** Yes  
**Approved:** 02-Feb-1995                               **Renewed:** 02-Feb-2022                               **Bypass:**  
**Shutoffs:** (vv),xx,ooo,hhhh,pppp,rrrrr

---

**Type:** RP                              **Manufacturer:** Watts                              **Model:** 909PCHWQT  
**Size:** 1                                  **Orientation:** H                                      **Meters:**  
**Manual:** 8                               **0.25% Pb:** No                                      **Spare Parts Only:** Yes  
**Approved:** 02-Feb-1995                               **Renewed:** 02-Feb-2022                               **Bypass:**  
**Shutoffs:** (vv),xx,ooo,hhhh,pppp,rrrrr

---

**Type:** RP                              **Manufacturer:** Watts                              **Model:** 909PCM1QT  
**Size:** 1 1/4                               **Orientation:** H                                      **Meters:**  
**Manual:** 8                               **0.25% Pb:** No                                      **Spare Parts Only:** Yes  
**Approved:** 02-Feb-1995                               **Renewed:** 02-Feb-2022                               **Bypass:**  
**Shutoffs:** (vv),xx,ooo,hhhh,pppp,rrrrr

---

**Type:** RP                              **Manufacturer:** Watts                              **Model:** 909PCM1QT  
**Size:** 1 1/2                               **Orientation:** H                                      **Meters:**  
**Manual:** 8                               **0.25% Pb:** No                                      **Spare Parts Only:** Yes  
**Approved:** 02-Feb-1995                               **Renewed:** 02-Feb-2022                               **Bypass:**  
**Shutoffs:** (vv),xx,ooo,hhhh,pppp,rrrrr

**Type:** RP                              **Manufacturer:** Watts                              **Model:** 909PCM1QT  
**Size:** 2                                  **Orientation:** H                                  **Meters:**  
**Manual:** 8                              **0.25% Pb:** No                              **Spare Parts Only:** Yes  
**Approved:** 02-Feb-1995              **Renewed:** 02-Feb-2022                      **Bypass:**  
**Shutoffs:** (vv),xx,ooo,hhhh,pppp,rrrrr

---

**Type:** RP                              **Manufacturer:** Watts                              **Model:** 909PCQT  
**Size:** 3/4                                  **Orientation:** H                                  **Meters:**  
**Manual:** 9                              **0.25% Pb:** No                              **Spare Parts Only:** Yes  
**Approved:** 09-Oct-1998              **Renewed:** 04-Oct-2019                      **Bypass:**  
**Shutoffs:** (vv),xx,ooo,hhhh,pppp,rrrrr  
**Notes:** Previously Approved 8th Ed (2 February 1995) 9th Ed. for Ser. Nos. 464100 and higher

---

**Type:** RP                              **Manufacturer:** Watts                              **Model:** 909PCQT  
**Size:** 3/4                                  **Orientation:** VU                                  **Meters:**  
**Manual:** 9                              **0.25% Pb:** No                              **Spare Parts Only:** Yes  
**Approved:** 09-Oct-1998              **Renewed:** 04-Oct-2019                      **Bypass:**  
**Shutoffs:** (vv),xx,ooo,hhhh,pppp,rrrrr  
**Notes:** Serial number 464100 and higher

---

**Type:** RP                              **Manufacturer:** Watts                              **Model:** 909PCQT  
**Size:** 1                                      **Orientation:** H                                  **Meters:**  
**Manual:** 9                              **0.25% Pb:** No                              **Spare Parts Only:** Yes  
**Approved:** 09-Oct-1998              **Renewed:** 09-Oct-2019                      **Bypass:**  
**Shutoffs:** (vv),xx,ooo,hhhh,pppp,rrrrr  
**Notes:** Previously Approved 8th Ed (2 February 1995) 9th Ed. for Ser. Nos. 464100 and higher

---

**Type:** RP                              **Manufacturer:** Watts                              **Model:** 909PCQT  
**Size:** 1                                      **Orientation:** VU                                  **Meters:**  
**Manual:** 9                              **0.25% Pb:** No                              **Spare Parts Only:** Yes  
**Approved:** 09-Oct-1998              **Renewed:** 09-Oct-2019                      **Bypass:**  
**Shutoffs:** (vv),xx,ooo,hhhh,pppp,rrrrr  
**Notes:** Previously Approved 8th Ed (2 February 1995) 9th Ed. for Ser. Nos. 464100 and higher

---

**Type:** RP                              **Manufacturer:** Watts                              **Model:** 909QT  
**Size:** 3/4                                  **Orientation:** H                                  **Meters:**  
**Manual:** 9                              **0.25% Pb:** No                              **Spare Parts Only:** Yes  
**Approved:** 18-Jun-1998              **Renewed:** 18-Jun-2022                      **Bypass:**  
**Shutoffs:** (vv),xx,ooo,hhhh,pppp,rrrrr  
**Notes:** Previously Approved 6th Ed. (15 Jan 1982) 9th Ed. For Ser. Nos. 461650 and higher

**Type:** RP **Manufacturer:** Watts **Model:** 909QT  
**Size:** 3/4 **Orientation:** VU **Meters:**  
**Manual:** 9 **0.25% Pb:** No **Spare Parts Only:** Yes  
**Approved:** 18-Jun-1998 **Renewed:** 18-Jun-2022 **Bypass:**  
**Shutoffs:** (vv),xx,ooo,hhhh,pppp,rrrr  
**Notes:** Serial number 461650 and higher

---

**Type:** RP **Manufacturer:** Watts **Model:** 909QT  
**Size:** 1 **Orientation:** H **Meters:**  
**Manual:** 9 **0.25% Pb:** No **Spare Parts Only:** Yes  
**Approved:** 18-Jun-1998 **Renewed:** 18-Jun-2022 **Bypass:**  
**Shutoffs:** (vv),xx,ooo,hhhh,pppp,rrrr  
**Notes:** Previously Approved 6th Ed. (15 Jan 1982) 9th Ed. For Ser. Nos. 461650 and higher

---

**Type:** RP **Manufacturer:** Watts **Model:** 909QT  
**Size:** 1 **Orientation:** VU **Meters:**  
**Manual:** 9 **0.25% Pb:** No **Spare Parts Only:** Yes  
**Approved:** 18-Jun-1998 **Renewed:** 18-Jun-2022 **Bypass:**  
**Shutoffs:** (vv),xx,ooo,hhhh,pppp,rrrr  
**Notes:** Serial number 461650 and higher

---

**Type:** RP **Manufacturer:** Watts **Model:** 909QT  
**Size:** 1 1/4 **Orientation:** **Meters:**  
**Manual:** **0.25% Pb:** No **Spare Parts Only:** No  
**Approved:** **Renewed:** **Bypass:**  
**Notes:** model designation changed to 909M1QT

---

**Type:** RP **Manufacturer:** Watts **Model:** 909QT  
**Size:** 1 1/2 **Orientation:** **Meters:**  
**Manual:** **0.25% Pb:** No **Spare Parts Only:** No  
**Approved:** **Renewed:** **Bypass:**  
**Notes:** model designation changed to 909M1QT

---

**Type:** RP **Manufacturer:** Watts **Model:** 909QT  
**Size:** 2 **Orientation:** **Meters:**  
**Manual:** **0.25% Pb:** No **Spare Parts Only:** No  
**Approved:** **Renewed:** **Bypass:**  
**Notes:** model designation changed to 909M1QT

**Type:** RP                                      **Manufacturer:** Watts                                      **Model:** 909RW  
**Size:** 3    **Orientation:**    **Meters:**  
**Manual:**    **0.25% Pb:** No    **Spare Parts Only:** No  
**Approved:**    **Renewed:**    **Bypass:**  
**Notes:** model designation changed to 909

---

**Type:** RP                                      **Manufacturer:** Watts                                      **Model:** 909RW  
**Size:** 4    **Orientation:**    **Meters:**  
**Manual:**    **0.25% Pb:** No    **Spare Parts Only:** No  
**Approved:**    **Renewed:**    **Bypass:**  
**Notes:** model designation changed to 909

---

**Type:** RP                                      **Manufacturer:** Watts                                      **Model:** 909RW  
**Size:** 6    **Orientation:**    **Meters:**  
**Manual:**    **0.25% Pb:** No    **Spare Parts Only:** No  
**Approved:**    **Renewed:**    **Bypass:**  
**Notes:** model designation changed to 909

---

**Type:** RP                                      **Manufacturer:** Watts                                      **Model:** 909RW  
**Size:** 8    **Orientation:**    **Meters:**  
**Manual:**    **0.25% Pb:** No    **Spare Parts Only:** No  
**Approved:**    **Renewed:**    **Bypass:**  
**Notes:** model designation changed to 909

---

**Type:** RP                                      **Manufacturer:** Watts                                      **Model:** 909RW  
**Size:** 10    **Orientation:**    **Meters:**  
**Manual:**    **0.25% Pb:** No    **Spare Parts Only:** No  
**Approved:**    **Renewed:**    **Bypass:**  
**Notes:** model designation changed to 909

---

**Type:** RP                                      **Manufacturer:** Watts                                      **Model:** 919AQT  
**Size:** 3/4    **Orientation:** VUVD    **Meters:**  
**Manual:** 9    **0.25% Pb:** No    **Spare Parts Only:** Yes  
**Approved:** 14-Jun-2006    **Renewed:** 14-Jun-2021    **Bypass:**  
**Shutoffs:** (vv),xx,ooo,hhhh,pppp,rrrr

---

**Type:** RP                                      **Manufacturer:** Watts                                      **Model:** 919AQT  
**Size:** 1    **Orientation:** VUVD    **Meters:**  
**Manual:** 9    **0.25% Pb:** No    **Spare Parts Only:** No  
**Approved:** 01-Jun-2006    **Renewed:** 01-Jun-2021    **Bypass:**  
**Shutoffs:** (vv),xx,ooo,hhhh,pppp,rrrr

**Type:** RP                               **Manufacturer:** Watts                               **Model:** 919AQT  
**Size:** 1 1/4                               **Orientation:** VUVD                               **Meters:**  
**Manual:** 9                               **0.25% Pb:** No                               **Spare Parts Only:** No  
**Approved:** 05-Sep-2006                               **Renewed:** 05-Sep-2021                               **Bypass:**  
**Shutoffs:** (vv),xx,ooo,hhhh,pppp,rrrrr

---

**Type:** RP                               **Manufacturer:** Watts                               **Model:** 919AQT  
**Size:** 1 1/2                               **Orientation:** VUVD                               **Meters:**  
**Manual:** 9                               **0.25% Pb:** No                               **Spare Parts Only:** No  
**Approved:** 01-Jun-2006                               **Renewed:** 01-Jun-2021                               **Bypass:**  
**Shutoffs:** (vv),xx,ooo,hhhh,pppp,rrrrr

---

**Type:** RP                               **Manufacturer:** Watts                               **Model:** 919AQT  
**Size:** 2                               **Orientation:** VUVD                               **Meters:**  
**Manual:** 9                               **0.25% Pb:** No                               **Spare Parts Only:** No  
**Approved:** 01-Jun-2006                               **Renewed:** 01-Jun-2021                               **Bypass:**  
**Shutoffs:** (vv),xx,ooo,hhhh,pppp,rrrrr

---

**Type:** RP                               **Manufacturer:** Watts                               **Model:** 919QT  
**Size:** 3/4                               **Orientation:** H                               **Meters:**  
**Manual:** 9                               **0.25% Pb:** No                               **Spare Parts Only:** No  
**Approved:** 14-Jun-2006                               **Renewed:** 14-Jun-2021                               **Bypass:**  
**Shutoffs:** (vv),xx,ooo,hhhh,pppp,rrrrr

---

**Type:** RP                               **Manufacturer:** Watts                               **Model:** 919QT  
**Size:** 3/4                               **Orientation:** VD                               **Meters:**  
**Manual:** 9                               **0.25% Pb:** No                               **Spare Parts Only:** No  
**Approved:** 30-Aug-2006                               **Renewed:** 30-Aug-2021                               **Bypass:**  
**Shutoffs:** (vv),xx,ooo,hhhh,pppp,rrrrr

---

**Type:** RP                               **Manufacturer:** Watts                               **Model:** 919QT  
**Size:** 1                               **Orientation:** H                               **Meters:**  
**Manual:** 9                               **0.25% Pb:** No                               **Spare Parts Only:** No  
**Approved:** 01-Jun-2006                               **Renewed:** 01-Jun-2021                               **Bypass:**  
**Shutoffs:** (vv),xx,ooo,hhhh,pppp,rrrrr

---

**Type:** RP                               **Manufacturer:** Watts                               **Model:** 919QT  
**Size:** 1                               **Orientation:** VD                               **Meters:**  
**Manual:** 9                               **0.25% Pb:** No                               **Spare Parts Only:** No  
**Approved:** 30-Aug-2006                               **Renewed:** 30-Aug-2021                               **Bypass:**  
**Shutoffs:** (vv),xx,ooo,hhhh,pppp,rrrrr



**Type:** RP  
**Size:** 1 1/4  
**Manual:** 9  
**Approved:** 01-Jun-2006  
**Shutoffs:** (vv),xx,ooo,hhhh,pppp,rrrr

**Manufacturer:** Watts  
**Orientation:** H  
**0.25% Pb:** No  
**Renewed:** 01-Jun-2021

**Model:** 919QT  
**Meters:**  
**Spare Parts Only:** No  
**Bypass:**

---

**Type:** RP  
**Size:** 1 1/4  
**Manual:** 9  
**Approved:** 30-Aug-2006  
**Shutoffs:** (vv),xx,ooo,hhhh,pppp,rrrr

**Manufacturer:** Watts  
**Orientation:** VD  
**0.25% Pb:** No  
**Renewed:** 30-Aug-2021

**Model:** 919QT  
**Meters:**  
**Spare Parts Only:** No  
**Bypass:**

---

**Type:** RP  
**Size:** 1 1/2  
**Manual:** 9  
**Approved:** 01-Jun-2006  
**Shutoffs:** (vv),xx,ooo,hhhh,pppp,rrrr

**Manufacturer:** Watts  
**Orientation:** H  
**0.25% Pb:** No  
**Renewed:** 01-Jun-2021

**Model:** 919QT  
**Meters:**  
**Spare Parts Only:** No  
**Bypass:**

---

**Type:** RP  
**Size:** 1 1/2  
**Manual:** 9  
**Approved:** 30-Aug-2006  
**Shutoffs:** (vv),xx,ooo,hhhh,pppp,rrrr

**Manufacturer:** Watts  
**Orientation:** VD  
**0.25% Pb:** No  
**Renewed:** 30-Aug-2021

**Model:** 919QT  
**Meters:**  
**Spare Parts Only:** No  
**Bypass:**

---

**Type:** RP  
**Size:** 2  
**Manual:** 9  
**Approved:** 01-Jun-2006  
**Shutoffs:** (vv),xx,ooo,hhhh,pppp,rrrr

**Manufacturer:** Watts  
**Orientation:** H  
**0.25% Pb:** No  
**Renewed:** 01-Jun-2021

**Model:** 919QT  
**Meters:**  
**Spare Parts Only:** No  
**Bypass:**

---

**Type:** RP  
**Size:** 2  
**Manual:** 9  
**Approved:** 30-Aug-2006  
**Shutoffs:** (vv),xx,ooo,hhhh,pppp,rrrr

**Manufacturer:** Watts  
**Orientation:** VD  
**0.25% Pb:** No  
**Renewed:** 30-Aug-2021

**Model:** 919QT  
**Meters:**  
**Spare Parts Only:** No  
**Bypass:**

---

**Type:** RP  
**Size:** 3/4  
**Manual:** 9  
**Approved:** 14-Jun-2006  
**Shutoffs:** (vv),xx,ooo,hhhh,pppp,rrrr

**Manufacturer:** Watts  
**Orientation:** VUVU  
**0.25% Pb:** No  
**Renewed:** 14-Jun-2021

**Model:** 919ZQT  
**Meters:**  
**Spare Parts Only:** Yes  
**Bypass:**

**Type:** RP                                      **Manufacturer:** Watts                                      **Model:** 919ZQT  
**Size:** 1    **Orientation:** VUVU                                      **Meters:**  
**Manual:** 9    **0.25% Pb:** No                                      **Spare Parts Only:** No  
**Approved:** 01-Jun-2006                                      **Renewed:** 01-Jun-2021                                      **Bypass:**  
**Shutoffs:** (vv),xx,ooo,hhhh,pppp,rrrr

---

**Type:** RP                                      **Manufacturer:** Watts                                      **Model:** 919ZQT  
**Size:** 1 1/4    **Orientation:** VUVU                                      **Meters:**  
**Manual:** 9    **0.25% Pb:** No                                      **Spare Parts Only:** No  
**Approved:** 01-Jun-2006                                      **Renewed:** 01-Jun-2021                                      **Bypass:**  
**Shutoffs:** (vv),xx,ooo,hhhh,pppp,rrrr

---

**Type:** RP                                      **Manufacturer:** Watts                                      **Model:** 919ZQT  
**Size:** 1 1/2    **Orientation:** VUVU                                      **Meters:**  
**Manual:** 9    **0.25% Pb:** No                                      **Spare Parts Only:** No  
**Approved:** 01-Jun-2006                                      **Renewed:** 01-Jun-2021                                      **Bypass:**  
**Shutoffs:** (vv),xx,ooo,hhhh,pppp,rrrr

---

**Type:** RP                                      **Manufacturer:** Watts                                      **Model:** 919ZQT  
**Size:** 2    **Orientation:** VUVU                                      **Meters:**  
**Manual:** 9    **0.25% Pb:** No                                      **Spare Parts Only:** No  
**Approved:** 01-Jun-2006                                      **Renewed:** 01-Jun-2021                                      **Bypass:**  
**Shutoffs:** (vv),xx,ooo,hhhh,pppp,rrrr

---

**Type:** RP                                      **Manufacturer:** Watts                                      **Model:** 957  
**Size:** 2 1/2    **Orientation:** H                                      **Meters:**  
**Manual:** 9    **0.25% Pb:** No                                      **Spare Parts Only:** No  
**Approved:** 07-Oct-2002                                      **Renewed:** 07-Oct-2020                                      **Bypass:**  
**Shutoffs:** (ppp),qqq,aaaa,bbbb  
**Notes:** Check valve discs may be black EPDM or orange Silicone

---

**Type:** RP                                      **Manufacturer:** Watts                                      **Model:** 957  
**Size:** 2 1/2    **Orientation:** H                                      **Meters:**  
**Manual:** 9    **0.25% Pb:** Yes                                      **Spare Parts Only:** No  
**Approved:** 07-Oct-2002                                      **Renewed:** 07-Oct-2020                                      **Bypass:**  
**Shutoffs:** zzz,dddd,eeee,gggg,kkkk,llll,mmmm,nnnn,nnnn  
**Notes:** Check valve discs may be black EPDM or orange Silicone

**Type:** RP                                      **Manufacturer:** Watts                                      **Model:** 957  
**Size:** 3    **Orientation:** H    **Meters:**  
**Manual:** 9    **0.25% Pb:** No    **Spare Parts Only:** No  
**Approved:** 07-Oct-2002                                      **Renewed:** 07-Oct-2020                                      **Bypass:**  
**Shutoffs:** (ppp),qqq,aaaa,bbbb  
**Notes:** Check valve discs may be black EPDM or orange Silicone

---

**Type:** RP                                      **Manufacturer:** Watts                                      **Model:** 957  
**Size:** 3    **Orientation:** H    **Meters:**  
**Manual:** 9    **0.25% Pb:** Yes    **Spare Parts Only:** No  
**Approved:** 07-Oct-2002                                      **Renewed:** 07-Oct-2020                                      **Bypass:**  
**Shutoffs:** zzz,dddd,eeee,gggg,kkkk,llll,mmmm,nnnn,nnnn  
**Notes:** Check valve discs may be black EPDM or orange Silicone

---

**Type:** RP                                      **Manufacturer:** Watts                                      **Model:** 957  
**Size:** 4    **Orientation:** H    **Meters:**  
**Manual:** 9    **0.25% Pb:** No    **Spare Parts Only:** No  
**Approved:** 07-Oct-2002                                      **Renewed:** 07-Oct-2020                                      **Bypass:**  
**Shutoffs:** (ppp),qqq,aaaa,bbbb  
**Notes:** Check valve discs may be black EPDM or orange Silicone

---

**Type:** RP                                      **Manufacturer:** Watts                                      **Model:** 957  
**Size:** 4    **Orientation:** H    **Meters:**  
**Manual:** 9    **0.25% Pb:** Yes    **Spare Parts Only:** No  
**Approved:** 07-Oct-2002                                      **Renewed:** 07-Oct-2020                                      **Bypass:**  
**Shutoffs:** zzz,dddd,eeee,gggg,kkkk,llll,mmmm,nnnn,nnnn  
**Notes:** Check valve discs may be black EPDM or orange Silicone

---

**Type:** RP                                      **Manufacturer:** Watts                                      **Model:** 957  
**Size:** 6    **Orientation:** H    **Meters:**  
**Manual:** 9    **0.25% Pb:** No    **Spare Parts Only:** No  
**Approved:** 20-Dec-2004                                      **Renewed:** 20-Dec-2019                                      **Bypass:**  
**Shutoffs:** (ppp),qqq,aaaa,bbbb

---

**Type:** RP                                      **Manufacturer:** Watts                                      **Model:** 957  
**Size:** 6    **Orientation:** H    **Meters:**  
**Manual:** 9    **0.25% Pb:** Yes    **Spare Parts Only:** No  
**Approved:** 20-Dec-2004                                      **Renewed:** 20-Dec-2019                                      **Bypass:**  
**Shutoffs:** zzz,dddd,eeee,gggg,kkkk,llll,mmmm,nnnn,nnnn

**Type:** RP  
**Size:** 8  
**Manual:** 9  
**Approved:** 13-Aug-2007  
**Shutoffs:** (ppp),qqq,aaaa,bbbb

**Manufacturer:** Watts  
**Orientation:** H  
**0.25% Pb:** No  
**Renewed:** 13-Aug-2022

**Model:** 957  
**Meters:**  
**Spare Parts Only:** No  
**Bypass:**

---

**Type:** RP  
**Size:** 8  
**Manual:** 9  
**Approved:** 13-Aug-2007  
**Shutoffs:** zzz,cccc,dddd,eeee,gggg,kkkk,llll,mmmm,nnnn,nnnnn

**Manufacturer:** Watts  
**Orientation:** H  
**0.25% Pb:** Yes  
**Renewed:** 13-Aug-2022

**Model:** 957  
**Meters:**  
**Spare Parts Only:** No  
**Bypass:**

---

**Type:** RP  
**Size:** 10  
**Manual:** 9  
**Approved:** 22-Jul-2009  
**Shutoffs:** (ppp),qqq,aaaa,bbbb

**Manufacturer:** Watts  
**Orientation:** H  
**0.25% Pb:** No  
**Renewed:** 22-Jul-2021

**Model:** 957  
**Meters:**  
**Spare Parts Only:** No  
**Bypass:**

---

**Type:** RP  
**Size:** 10  
**Manual:** 9  
**Approved:** 22-Jul-2009  
**Shutoffs:** zzz,cccc,dddd,eeee,gggg,kkkk,llll,mmmm,nnnn,nnnnn

**Manufacturer:** Watts  
**Orientation:** H  
**0.25% Pb:** Yes  
**Renewed:** 22-Jul-2021

**Model:** 957  
**Meters:**  
**Spare Parts Only:** No  
**Bypass:**

---

**Type:** RP  
**Size:** 4  
**Manual:** 9  
**Approved:** 17-Jan-2008  
**Shutoffs:** (yyy)

**Manufacturer:** Watts  
**Orientation:** H  
**0.25% Pb:** Yes  
**Renewed:** 17-Jan-2020

**Model:** 957 BF  
**Meters:**  
**Spare Parts Only:** No  
**Bypass:**

**Notes:** Check valve discs may be black EPDM or orange Silicone

---

**Type:** RP  
**Size:** 6  
**Manual:** 9  
**Approved:** 17-Jan-2008  
**Shutoffs:** (yyy)

**Manufacturer:** Watts  
**Orientation:** H  
**0.25% Pb:** Yes  
**Renewed:** 17-Jan-2020

**Model:** 957 BF  
**Meters:**  
**Spare Parts Only:** No  
**Bypass:**

**Type:** RP    **Manufacturer:** Watts    **Model:** 957N  
**Size:** 2 1/2    **Orientation:** VUVD    **Meters:**  
**Manual:** 9    **0.25% Pb:** No    **Spare Parts Only:** No  
**Approved:** 14-Apr-2003    **Renewed:** 14-Apr-2021    **Bypass:**  
**Shutoffs:** (ppp),qqq,aaaa,bbbb,nnnn  
**Notes:** Check valve discs may be black EPDM or orange Silicone

---

**Type:** RP    **Manufacturer:** Watts    **Model:** 957N  
**Size:** 2 1/2    **Orientation:** VUVD    **Meters:**  
**Manual:** 9    **0.25% Pb:** Yes    **Spare Parts Only:** No  
**Approved:** 14-Apr-2003    **Renewed:** 14-Apr-2021    **Bypass:**  
**Shutoffs:** yyy,zzz,dddd,eeee,gggg,kkkk,llll,mmmm,nnnn  
**Notes:** Check valve discs may be black EPDM or orange Silicone

---

**Type:** RP    **Manufacturer:** Watts    **Model:** 957N  
**Size:** 2 1/2    **Orientation:** VUVU    **Meters:**  
**Manual:** 9    **0.25% Pb:** No    **Spare Parts Only:** No  
**Approved:** 26-Jul-2021    **Renewed:**    **Bypass:**  
**Shutoffs:** (ppp),qqq,aaaa,bbbb,nnnn  
**Notes:** Check valve discs may be black EPDM or orange Silicone

---

**Type:** RP    **Manufacturer:** Watts    **Model:** 957N  
**Size:** 2 1/2    **Orientation:** VUVU    **Meters:**  
**Manual:** 9    **0.25% Pb:** Yes    **Spare Parts Only:** No  
**Approved:** 26-Jul-2021    **Renewed:**    **Bypass:**  
**Shutoffs:** yyy,zzz,dddd,eeee,gggg,kkkk,llll,mmmm,nnnn  
**Notes:** Check valve discs may be black EPDM or orange Silicone

---

**Type:** RP    **Manufacturer:** Watts    **Model:** 957N  
**Size:** 3    **Orientation:** VUVD    **Meters:**  
**Manual:** 9    **0.25% Pb:** No    **Spare Parts Only:** No  
**Approved:** 14-Apr-2003    **Renewed:** 14-Apr-2021    **Bypass:**  
**Shutoffs:** (ppp),qqq,aaaa,bbbb,nnnn  
**Notes:** Check valve discs may be black EPDM or orange Silicone

---

**Type:** RP    **Manufacturer:** Watts    **Model:** 957N  
**Size:** 3    **Orientation:** VUVD    **Meters:**  
**Manual:** 9    **0.25% Pb:** Yes    **Spare Parts Only:** No  
**Approved:** 14-Apr-2003    **Renewed:** 14-Apr-2021    **Bypass:**  
**Shutoffs:** yyy,zzz,dddd,eeee,gggg,kkkk,llll,mmmm,nnnn  
**Notes:** Check valve discs may be black EPDM or orange Silicone

**Type:** RP    **Manufacturer:** Watts    **Model:** 957N  
**Size:** 3    **Orientation:** VUVU    **Meters:**  
**Manual:** 9    **0.25% Pb:** No    **Spare Parts Only:** No  
**Approved:** 26-Jul-2021    **Renewed:**    **Bypass:**  
**Shutoffs:** (ppp),qqq,aaaa,bbbb,nnnn  
**Notes:** Check valve discs may be black EPDM or orange Silicone

---

**Type:** RP    **Manufacturer:** Watts    **Model:** 957N  
**Size:** 3    **Orientation:** VUVU    **Meters:**  
**Manual:** 9    **0.25% Pb:** Yes    **Spare Parts Only:** No  
**Approved:** 26-Jul-2021    **Renewed:**    **Bypass:**  
**Shutoffs:** yyy,zzz,dddd,eeee,gggg,kkkk,llll,mmmm,nnnn  
**Notes:** Check valve discs may be black EPDM or orange Silicone

---

**Type:** RP    **Manufacturer:** Watts    **Model:** 957N  
**Size:** 4    **Orientation:** VUVD    **Meters:**  
**Manual:** 9    **0.25% Pb:** No    **Spare Parts Only:** No  
**Approved:** 14-Apr-2003    **Renewed:** 14-Apr-2021    **Bypass:**  
**Shutoffs:** (ppp),qqq,aaaa,bbbb,nnnn  
**Notes:** Check valve discs may be black EPDM or orange Silicone

---

**Type:** RP    **Manufacturer:** Watts    **Model:** 957N  
**Size:** 4    **Orientation:** VUVD    **Meters:**  
**Manual:** 9    **0.25% Pb:** Yes    **Spare Parts Only:** No  
**Approved:** 14-Apr-2003    **Renewed:** 14-Apr-2021    **Bypass:**  
**Shutoffs:** yyy,zzz,dddd,eeee,gggg,kkkk,llll,mmmm,nnnn  
**Notes:** Check valve discs may be black EPDM or orange Silicone

---

**Type:** RP    **Manufacturer:** Watts    **Model:** 957N  
**Size:** 4    **Orientation:** VUVU    **Meters:**  
**Manual:** 9    **0.25% Pb:** No    **Spare Parts Only:** No  
**Approved:** 26-Jul-2021    **Renewed:**    **Bypass:**  
**Shutoffs:** (ppp),qqq,aaaa,bbbb,nnnn  
**Notes:** Check valve discs may be black EPDM or orange Silicone

---

**Type:** RP    **Manufacturer:** Watts    **Model:** 957N  
**Size:** 4    **Orientation:** VUVU    **Meters:**  
**Manual:** 9    **0.25% Pb:** Yes    **Spare Parts Only:** No  
**Approved:** 26-Jul-2021    **Renewed:**    **Bypass:**  
**Shutoffs:** yyy,zzz,dddd,eeee,gggg,kkkk,llll,mmmm,nnnn  
**Notes:** Check valve discs may be black EPDM or orange Silicone

**Type:** RP   **Manufacturer:** Watts   **Model:** 957N  
**Size:** 6   **Orientation:** VUVD   **Meters:**  
**Manual:** 9   **0.25% Pb:** No   **Spare Parts Only:** No  
**Approved:** 15-Nov-2010   **Renewed:** 15-Nov-2019   **Bypass:**  
**Shutoffs:** ppp,qqq,aaaa,bbbb,nnnn

---

**Type:** RP   **Manufacturer:** Watts   **Model:** 957N  
**Size:** 6   **Orientation:** VUVD   **Meters:**  
**Manual:** 9   **0.25% Pb:** Yes   **Spare Parts Only:** No  
**Approved:** 15-Nov-2010   **Renewed:** 15-Nov-2019   **Bypass:**  
**Shutoffs:** zzz,dddd,eeee,gggg,kkkk,llll,mmmm,nnnn

---

**Type:** RP   **Manufacturer:** Watts   **Model:** 957N  
**Size:** 8   **Orientation:** VUVD   **Meters:**  
**Manual:** 9   **0.25% Pb:** No   **Spare Parts Only:** No  
**Approved:** 14-Jun-2013   **Renewed:** 14-Jun-2022   **Bypass:**  
**Shutoffs:** ppp, qq, aaaa, bbbb,

---

**Type:** RP   **Manufacturer:** Watts   **Model:** 957N  
**Size:** 8   **Orientation:** VUVD   **Meters:**  
**Manual:** 9   **0.25% Pb:** Yes   **Spare Parts Only:** No  
**Approved:** 14-Jun-2013   **Renewed:** 14-Jun-2022   **Bypass:**  
**Shutoffs:** (yyy), zzz, dddd, eeee, gggg, kkkk, llll, mmmm, nnnn

---

**Type:** RP   **Manufacturer:** Watts   **Model:** 957N  
**Size:** 8   **Orientation:** VUVU   **Meters:**  
**Manual:** 9   **0.25% Pb:** No   **Spare Parts Only:** No  
**Approved:** 26-Jul-2021   **Renewed:**   **Bypass:**  
**Shutoffs:** ppp, qq, aaaa, bbbb,

---

**Type:** RP   **Manufacturer:** Watts   **Model:** 957N  
**Size:** 8   **Orientation:** VUVU   **Meters:**  
**Manual:** 9   **0.25% Pb:** Yes   **Spare Parts Only:** No  
**Approved:** 26-Jul-2021   **Renewed:**   **Bypass:**  
**Shutoffs:** (yyy), zzz, dddd, eeee, gggg, kkkk, llll, mmmm, nnnn

**Type:** RP                                      **Manufacturer:** Watts                                      **Model:** 957NQT  
**Size:** 2 1/2                                      **Orientation:** VUVD                                      **Meters:**  
**Manual:** 9                                      **0.25% Pb:** Yes                                      **Spare Parts Only:** No  
**Approved:** 20-Oct-2009                                      **Renewed:** 20-Oct-2021                                      **Bypass:**  
**Shutoffs:** (ffff)  
**Notes:** Check valve discs may be black EPDM or orange Silicone

---

**Type:** RP                                      **Manufacturer:** Watts                                      **Model:** 957NQT  
**Size:** 2 1/2                                      **Orientation:** VUVU                                      **Meters:**  
**Manual:** 9                                      **0.25% Pb:** Yes                                      **Spare Parts Only:** No  
**Approved:** 26-Jul-2021                                      **Renewed:**                                      **Bypass:**  
**Shutoffs:** (ffff)  
**Notes:** Check valve discs may be black EPDM or orange Silicone

---

**Type:** RP                                      **Manufacturer:** Watts                                      **Model:** 957NQT  
**Size:** 3                                      **Orientation:** VUVD                                      **Meters:**  
**Manual:** 9                                      **0.25% Pb:** Yes                                      **Spare Parts Only:** No  
**Approved:** 20-Oct-2009                                      **Renewed:** 20-Oct-2021                                      **Bypass:**  
**Shutoffs:** (ffff)  
**Notes:** Check valve discs may be black EPDM or orange Silicone

---

**Type:** RP                                      **Manufacturer:** Watts                                      **Model:** 957NQT  
**Size:** 3                                      **Orientation:** VUVU                                      **Meters:**  
**Manual:** 9                                      **0.25% Pb:** Yes                                      **Spare Parts Only:** No  
**Approved:** 26-Jul-2021                                      **Renewed:**                                      **Bypass:**  
**Shutoffs:** (ffff)  
**Notes:** Check valve discs may be black EPDM or orange Silicone

---

**Type:** RP                                      **Manufacturer:** Watts                                      **Model:** 957NQT  
**Size:** 4                                      **Orientation:** VUVD                                      **Meters:**  
**Manual:** 9                                      **0.25% Pb:** Yes                                      **Spare Parts Only:** No  
**Approved:** 20-Oct-2009                                      **Renewed:** 20-Oct-2021                                      **Bypass:**  
**Shutoffs:** (ffff)  
**Notes:** Check valve discs may be black EPDM or orange Silicone

---

**Type:** RP                                      **Manufacturer:** Watts                                      **Model:** 957NQT  
**Size:** 4                                      **Orientation:** VUVU                                      **Meters:**  
**Manual:** 9                                      **0.25% Pb:** Yes                                      **Spare Parts Only:** No  
**Approved:** 26-Jul-2021                                      **Renewed:**                                      **Bypass:**  
**Shutoffs:** (ffff)  
**Notes:** Check valve discs may be black EPDM or orange Silicone



**Type:** RP                                  **Manufacturer:** Watts                                  **Model:** 957QT  
**Size:** 2 1/2                                  **Orientation:** H                                  **Meters:**  
**Manual:** 9                                  **0.25% Pb:** Yes                                  **Spare Parts Only:** No  
**Approved:** 20-Oct-2009                                  **Renewed:** 20-Oct-2021                                  **Bypass:**  
**Shutoffs:** (ffff)  
**Notes:** Check valve discs may be black EPDM or orange Silicone

---

**Type:** RP                                  **Manufacturer:** Watts                                  **Model:** 957QT  
**Size:** 3                                  **Orientation:** H                                  **Meters:**  
**Manual:** 9                                  **0.25% Pb:** Yes                                  **Spare Parts Only:** No  
**Approved:** 20-Oct-2009                                  **Renewed:** 20-Oct-2021                                  **Bypass:**  
**Shutoffs:** (ffff)  
**Notes:** Check valve discs may be black EPDM or orange Silicone

---

**Type:** RP                                  **Manufacturer:** Watts                                  **Model:** 957QT  
**Size:** 4                                  **Orientation:** H                                  **Meters:**  
**Manual:** 9                                  **0.25% Pb:** Yes                                  **Spare Parts Only:** No  
**Approved:** 20-Oct-2009                                  **Renewed:** 20-Oct-2021                                  **Bypass:**  
**Shutoffs:** (ffff)  
**Notes:** Check valve discs may be black EPDM or orange Silicone

---

**Type:** RP                                  **Manufacturer:** Watts                                  **Model:** 957Z  
**Size:** 2 1/2                                  **Orientation:** VUVD                                  **Meters:**  
**Manual:** 9                                  **0.25% Pb:** No                                  **Spare Parts Only:** No  
**Approved:** 26-Jul-2021                                  **Renewed:**                                  **Bypass:**  
**Shutoffs:** (ppp),qqq,aaaa,bbbb,nnnn  
**Notes:** Check valve discs may be black EPDM or orange Silicone

---

**Type:** RP                                  **Manufacturer:** Watts                                  **Model:** 957Z  
**Size:** 2 1/2                                  **Orientation:** VUVD                                  **Meters:**  
**Manual:** 9                                  **0.25% Pb:** Yes                                  **Spare Parts Only:** No  
**Approved:** 26-Jul-2021                                  **Renewed:**                                  **Bypass:**  
**Shutoffs:** yyy,zzz,dddd,eeee,gggg,kkkk,llll,mmmm,nnnn  
**Notes:** Check valve discs may be black EPDM or orange Silicone

---

**Type:** RP                                  **Manufacturer:** Watts                                  **Model:** 957Z  
**Size:** 2 1/2                                  **Orientation:** VUVU                                  **Meters:**  
**Manual:** 9                                  **0.25% Pb:** No                                  **Spare Parts Only:** No  
**Approved:** 14-Apr-2003                                  **Renewed:** 14-Apr-2021                                  **Bypass:**  
**Shutoffs:** (ppp),qqq,aaaa,bbbb,nnnn  
**Notes:** Check valve discs may be black EPDM or orange Silicone

---

**Type:** RP **Manufacturer:** Watts **Model:** 957Z  
**Size:** 2 1/2 **Orientation:** VUVU **Meters:**  
**Manual:** 9 **0.25% Pb:** Yes **Spare Parts Only:** No  
**Approved:** 14-Apr-2003 **Renewed:** 14-Apr-2021 **Bypass:**  
**Shutoffs:** yyy,zzz,dddd,eeee,gggg,kkkk,llll,mmmm,nnnn  
**Notes:** Check valve discs may be black EPDM or orange Silicone

---

**Type:** RP **Manufacturer:** Watts **Model:** 957Z  
**Size:** 3 **Orientation:** VUVD **Meters:**  
**Manual:** 9 **0.25% Pb:** No **Spare Parts Only:** No  
**Approved:** 26-Jul-2021 **Renewed:** **Bypass:**  
**Shutoffs:** (ppp),qqq,aaaa,bbbb,nnnn  
**Notes:** Check valve discs may be black EPDM or orange Silicone

---

**Type:** RP **Manufacturer:** Watts **Model:** 957Z  
**Size:** 3 **Orientation:** VUVD **Meters:**  
**Manual:** 9 **0.25% Pb:** Yes **Spare Parts Only:** No  
**Approved:** 26-Jul-2021 **Renewed:** **Bypass:**  
**Shutoffs:** yyy,zzz,dddd,eeee,gggg,kkkk,llll,mmmm,nnnn  
**Notes:** Check valve discs may be black EPDM or orange Silicone

---

**Type:** RP **Manufacturer:** Watts **Model:** 957Z  
**Size:** 3 **Orientation:** VUVU **Meters:**  
**Manual:** 9 **0.25% Pb:** No **Spare Parts Only:** No  
**Approved:** 14-Apr-2003 **Renewed:** 14-Apr-2021 **Bypass:**  
**Shutoffs:** (ppp),qqq,aaaa,bbbb,nnnn  
**Notes:** Check valve discs may be black EPDM or orange Silicone

---

**Type:** RP **Manufacturer:** Watts **Model:** 957Z  
**Size:** 3 **Orientation:** VUVU **Meters:**  
**Manual:** 9 **0.25% Pb:** Yes **Spare Parts Only:** No  
**Approved:** 14-Apr-2003 **Renewed:** 14-Apr-2021 **Bypass:**  
**Shutoffs:** yyy,zzz,dddd,eeee,gggg,kkkk,llll,mmmm,nnnn  
**Notes:** Check valve discs may be black EPDM or orange Silicone

---

**Type:** RP **Manufacturer:** Watts **Model:** 957Z  
**Size:** 4 **Orientation:** VUVD **Meters:**  
**Manual:** 9 **0.25% Pb:** No **Spare Parts Only:** No  
**Approved:** 26-Jul-2021 **Renewed:** **Bypass:**  
**Shutoffs:** (ppp),qqq,aaaa,bbbb,nnnn  
**Notes:** Check valve discs may be black EPDM or orange Silicone

---

**Type:** RP **Manufacturer:** Watts **Model:** 957Z  
**Size:** 4 **Orientation:** VUVD **Meters:**  
**Manual:** 9 **0.25% Pb:** Yes **Spare Parts Only:** No  
**Approved:** 26-Jul-2021 **Renewed:** **Bypass:**  
**Shutoffs:** yyy,zzz,dddd,eeee,gggg,kkkk,llll,mmmm,nnnn  
**Notes:** Check valve discs may be black EPDM or orange Silicone

---

**Type:** RP **Manufacturer:** Watts **Model:** 957Z  
**Size:** 4 **Orientation:** VUVU **Meters:**  
**Manual:** 9 **0.25% Pb:** No **Spare Parts Only:** No  
**Approved:** 14-Apr-2003 **Renewed:** 14-Apr-2021 **Bypass:**  
**Shutoffs:** (ppp),qqq,aaaa,bbbb,nnnn  
**Notes:** Check valve discs may be black EPDM or orange Silicone

---

**Type:** RP **Manufacturer:** Watts **Model:** 957Z  
**Size:** 4 **Orientation:** VUVU **Meters:**  
**Manual:** 9 **0.25% Pb:** Yes **Spare Parts Only:** No  
**Approved:** 14-Apr-2003 **Renewed:** 14-Apr-2021 **Bypass:**  
**Shutoffs:** yyy,zzz,dddd,eeee,gggg,kkkk,llll,mmmm,nnnn  
**Notes:** Check valve discs may be black EPDM or orange Silicone

---

**Type:** RP **Manufacturer:** Watts **Model:** 957Z  
**Size:** 8 **Orientation:** VUVD **Meters:**  
**Manual:** 9 **0.25% Pb:** No **Spare Parts Only:** No  
**Approved:** 26-Jul-2021 **Renewed:** **Bypass:**  
**Shutoffs:** ppp, qq, aaaa, bbbb,

---

**Type:** RP **Manufacturer:** Watts **Model:** 957Z  
**Size:** 8 **Orientation:** VUVD **Meters:**  
**Manual:** 9 **0.25% Pb:** Yes **Spare Parts Only:** No  
**Approved:** 26-Jul-2021 **Renewed:** **Bypass:**  
**Shutoffs:** (yyy), zzz, dddd, eeee, gggg, kkkk, llll, mmmm, nnnn

---

**Type:** RP **Manufacturer:** Watts **Model:** 957Z  
**Size:** 8 **Orientation:** VUVU **Meters:**  
**Manual:** 9 **0.25% Pb:** No **Spare Parts Only:** No  
**Approved:** 14-Jun-2013 **Renewed:** 14-Jun-2022 **Bypass:**  
**Shutoffs:** ppp, qq, aaaa, bbbb,



**Type:** RP  
**Size:** 4  
**Manual:** 9  
**Approved:** 20-Oct-2009  
**Shutoffs:** (ffff)  
**Notes:** Check valve discs may be black EPDM or orange Silicone

**Manufacturer:** Watts  
**Orientation:** VUVU  
**0.25% Pb:** Yes  
**Renewed:** 20-Oct-2021

**Model:** 957ZQT  
**Meters:**  
**Spare Parts Only:** No  
**Bypass:**

---

**Type:** RP  
**Size:** 2 1/2  
**Manual:** 9  
**Approved:** 07-Oct-2002  
**Shutoffs:** (ppp),qqq,zzz,aaaa,bbbb,dddd,eeee,ffff,gggg,kkkk,llll,mmmm,nnnn,nnnnn

**Manufacturer:** Watts  
**Orientation:** H  
**0.25% Pb:** No  
**Renewed:** 07-Oct-2020

**Model:** 967  
**Meters:**  
**Spare Parts Only:** No  
**Bypass:**

---

**Type:** RP  
**Size:** 3  
**Manual:** 9  
**Approved:** 07-Oct-2002  
**Shutoffs:** (ppp),qqq,zzz,aaaa,bbbb,dddd,eeee,ffff,gggg,kkkk,llll,mmmm,nnnn,nnnnn

**Manufacturer:** Watts  
**Orientation:** H  
**0.25% Pb:** No  
**Renewed:** 07-Oct-2020

**Model:** 967  
**Meters:**  
**Spare Parts Only:** No  
**Bypass:**

---

**Type:** RP  
**Size:** 4  
**Manual:** 9  
**Approved:** 18-Jan-2005  
**Shutoffs:** (ppp),qqq,aaaa,bbbb,gggg,kkkk,llll,mmmm,nnnn,nnnnn

**Manufacturer:** Watts  
**Orientation:** H  
**0.25% Pb:** No  
**Renewed:** 18-Jan-2020

**Model:** 967  
**Meters:**  
**Spare Parts Only:** No  
**Bypass:**

---

**Type:** RP  
**Size:** 6  
**Manual:** 9  
**Approved:** 13-Aug-2007  
**Shutoffs:** (ppp),qqq,sss, ttt, aaaa,bbbb,cccc,dddd,kkkk,llll,mmmm,nnnn,nnnnn

**Manufacturer:** Watts  
**Orientation:** H  
**0.25% Pb:** No  
**Renewed:** 13-Aug-2022

**Model:** 967  
**Meters:**  
**Spare Parts Only:** No  
**Bypass:**

---

**Type:** RP  
**Size:** 8  
**Manual:** 9  
**Approved:** 22-Jul-2009  
**Shutoffs:** (ppp),qqq,sss,ttt,zzz,aaaa,bbbb,cccc,dddd,eeee,gggg,kkkk,llll,mmmm,nnnn,nnnnn

**Manufacturer:** Watts  
**Orientation:** H  
**0.25% Pb:** No  
**Renewed:** 22-Jul-2021

**Model:** 967  
**Meters:**  
**Spare Parts Only:** No  
**Bypass:**

**Type:** RP                                      **Manufacturer:** Watts                                      **Model:** 967  
**Size:** 10                                      **Orientation:** H                                      **Meters:**  
**Manual:** 9                                      **0.25% Pb:** No                                      **Spare Parts Only:** No  
**Approved:** 22-Jul-2009                                      **Renewed:** 22-Jul-2021                                      **Bypass:**  
**Shutoffs:** (ppp),qqq,sss,ttt,zzz,aaaa,bbbb,cccc,dddd,eeee,gggg,kkkk,llll,mmmm,nnnn

---

**Type:** RP                                      **Manufacturer:** Watts                                      **Model:** 967N  
**Size:** 2 1/2                                      **Orientation:** VUVD                                      **Meters:**  
**Manual:** 9                                      **0.25% Pb:** No                                      **Spare Parts Only:** No  
**Approved:** 14-Apr-2003                                      **Renewed:** 14-Apr-2021                                      **Bypass:**  
**Shutoffs:** (ppp),qqq,yyy,zzz,aaaa,bbbb,dddd,eeee,gggg,kkkk,llll,mmmm,nnnn,nnnnn

---

**Type:** RP                                      **Manufacturer:** Watts                                      **Model:** 967N  
**Size:** 2 1/2                                      **Orientation:** VUVU                                      **Meters:**  
**Manual:** 9                                      **0.25% Pb:** No                                      **Spare Parts Only:** No  
**Approved:** 26-Jul-2021                                      **Renewed:**                                      **Bypass:**  
**Shutoffs:** (ppp),qqq,yyy,zzz,aaaa,bbbb,dddd,eeee,gggg,kkkk,llll,mmmm,nnnn,nnnnn

---

**Type:** RP                                      **Manufacturer:** Watts                                      **Model:** 967N  
**Size:** 3                                      **Orientation:** VUVD                                      **Meters:**  
**Manual:** 9                                      **0.25% Pb:** No                                      **Spare Parts Only:** No  
**Approved:** 14-Apr-2003                                      **Renewed:** 14-Apr-2021                                      **Bypass:**  
**Shutoffs:** (ppp),qqq,zzz,aaaa,bbbb,dddd,eeee,ffff,gggg,kkkk,llll,mmmm,nnnn,nnnnn

---

**Type:** RP                                      **Manufacturer:** Watts                                      **Model:** 967N  
**Size:** 3                                      **Orientation:** VUVU                                      **Meters:**  
**Manual:** 9                                      **0.25% Pb:** No                                      **Spare Parts Only:** No  
**Approved:** 26-Jul-2021                                      **Renewed:**                                      **Bypass:**  
**Shutoffs:** (ppp),qqq,zzz,aaaa,bbbb,dddd,eeee,fff,gggg,kkkk,llll,mmmm,nnnn,nnnnn

---

**Type:** RP                                      **Manufacturer:** Watts                                      **Model:** 967N  
**Size:** 4                                      **Orientation:** VUVD                                      **Meters:**  
**Manual:** 9                                      **0.25% Pb:** No                                      **Spare Parts Only:** No  
**Approved:** 15-Nov-2010                                      **Renewed:** 15-Nov-2019                                      **Bypass:**  
**Shutoffs:** ppp,qqq,aaaa,bbbb,nnnnn

---

**Type:** RP                                      **Manufacturer:** Watts                                      **Model:** 967N  
**Size:** 4                                      **Orientation:** VUVD                                      **Meters:**  
**Manual:** 9                                      **0.25% Pb:** Yes                                      **Spare Parts Only:** No  
**Approved:** 15-Nov-2010                                      **Renewed:** 15-Nov-2019                                      **Bypass:**  
**Shutoffs:** yyy,zzz,dddd,eeee,gggg,kkkk,llll,mmmm,nnnn

**Type:** RP    **Manufacturer:** Watts    **Model:** 967N  
**Size:** 4    **Orientation:** VUVU    **Meters:**  
**Manual:** 9    **0.25% Pb:** No    **Spare Parts Only:** No  
**Approved:** 26-Jul-2021    **Renewed:**    **Bypass:**  
**Shutoffs:** ppp,qqq,aaaa,bbbb,nnnn

---

**Type:** RP    **Manufacturer:** Watts    **Model:** 967N  
**Size:** 4    **Orientation:** VUVU    **Meters:**  
**Manual:** 9    **0.25% Pb:** Yes    **Spare Parts Only:** No  
**Approved:** 26-Jul-2021    **Renewed:**    **Bypass:**  
**Shutoffs:** yyy,zzz,dddd,eeee,gggg,kkkk,llll,mmmm,nnnn

---

**Type:** RP    **Manufacturer:** Watts    **Model:** 967N  
**Size:** 6    **Orientation:** VUVD    **Meters:**  
**Manual:** 9    **0.25% Pb:** No    **Spare Parts Only:** No  
**Approved:** 14-Jun-2013    **Renewed:** 14-Jun-2022    **Bypass:**  
**Shutoffs:** ppp, qq, aaaa, bbbb,

---

**Type:** RP    **Manufacturer:** Watts    **Model:** 967N  
**Size:** 6    **Orientation:** VUVD    **Meters:**  
**Manual:** 9    **0.25% Pb:** Yes    **Spare Parts Only:** No  
**Approved:** 14-Jun-2013    **Renewed:** 14-Jun-2022    **Bypass:**  
**Shutoffs:** (yyy), zzz, dddd, eeee, gggg, kkkk, llll, mmmm, nnnn

---

**Type:** RP    **Manufacturer:** Watts    **Model:** 967N  
**Size:** 6    **Orientation:** VUVU    **Meters:**  
**Manual:** 9    **0.25% Pb:** No    **Spare Parts Only:** No  
**Approved:** 26-Jul-2021    **Renewed:**    **Bypass:**  
**Shutoffs:** ppp, qq, aaaa, bbbb,

---

**Type:** RP    **Manufacturer:** Watts    **Model:** 967N  
**Size:** 6    **Orientation:** VUVU    **Meters:**  
**Manual:** 9    **0.25% Pb:** Yes    **Spare Parts Only:** No  
**Approved:** 26-Jul-2021    **Renewed:**    **Bypass:**  
**Shutoffs:** (yyy), zzz, dddd, eeee, gggg, kkkk, llll, mmmm, nnnn

---

**Type:** RP    **Manufacturer:** Watts    **Model:** 967Z  
**Size:** 2 1/2    **Orientation:** VUVD    **Meters:**  
**Manual:** 9    **0.25% Pb:** No    **Spare Parts Only:** No  
**Approved:** 26-Jul-2021    **Renewed:**    **Bypass:**  
**Shutoffs:** (ppp),qqq,yyy,zzz,aaaa,bbbb,dddd,eeee,gggg,kkkk,llll,mmmm,nnnn,nnnnn

**Type:** RP  
**Size:** 2 1/2  
**Manual:** 9  
**Approved:** 14-Apr-2003  
**Shutoffs:** (ppp),qqq,yyy,zzz,aaaa,bbbb,dddd,eeee,gggg,kkkk,llll,mmmm,nnnn,nnnnn

**Manufacturer:** Watts  
**Orientation:** VUVU  
**0.25% Pb:** No  
**Renewed:** 14-Apr-2021

**Model:** 967Z  
**Meters:**  
**Spare Parts Only:** No  
**Bypass:**

---

**Type:** RP  
**Size:** 3  
**Manual:** 9  
**Approved:** 26-Jul-2021  
**Shutoffs:** (ppp),qqq,zzz,aaaa,bbbb,dddd,eeee,gggg,kkkk,llll,mmmm,nnnn,nnnnn

**Manufacturer:** Watts  
**Orientation:** VUVD  
**0.25% Pb:** No  
**Renewed:**

**Model:** 967Z  
**Meters:**  
**Spare Parts Only:** No  
**Bypass:**

---

**Type:** RP  
**Size:** 3  
**Manual:** 9  
**Approved:** 14-Apr-2003  
**Shutoffs:** (ppp),qqq,zzz,aaaa,bbbb,dddd,eeee,gggg,kkkk,llll,mmmm,nnnn,nnnnn

**Manufacturer:** Watts  
**Orientation:** VUVU  
**0.25% Pb:** No  
**Renewed:** 14-Apr-2021

**Model:** 967Z  
**Meters:**  
**Spare Parts Only:** No  
**Bypass:**

---

**Type:** RP  
**Size:** 6  
**Manual:** 9  
**Approved:** 26-Jul-2021  
**Shutoffs:** ppp, qq, aaaa, bbbb,

**Manufacturer:** Watts  
**Orientation:** VUVD  
**0.25% Pb:** No  
**Renewed:**

**Model:** 967Z  
**Meters:**  
**Spare Parts Only:** No  
**Bypass:**

---

**Type:** RP  
**Size:** 6  
**Manual:** 9  
**Approved:** 26-Jul-2021  
**Shutoffs:** (yyy), zzz, dddd, eeee, gggg, kkkk, llll, mmmm, nnnn

**Manufacturer:** Watts  
**Orientation:** VUVD  
**0.25% Pb:** Yes  
**Renewed:**

**Model:** 967Z  
**Meters:**  
**Spare Parts Only:** No  
**Bypass:**

---

**Type:** RP  
**Size:** 6  
**Manual:** 9  
**Approved:** 14-Jun-2013  
**Shutoffs:** ppp, qq, aaaa, bbbb,

**Manufacturer:** Watts  
**Orientation:** VUVU  
**0.25% Pb:** No  
**Renewed:** 14-Jun-2022

**Model:** 967Z  
**Meters:**  
**Spare Parts Only:** No  
**Bypass:**

---

**Type:** RP  
**Size:** 6  
**Manual:** 9  
**Approved:** 14-Jun-2013  
**Shutoffs:** (yyy), zzz, dddd, eeee, gggg, kkkk, llll, mmmm, nnnn

**Manufacturer:** Watts  
**Orientation:** VUVU  
**0.25% Pb:** Yes  
**Renewed:** 14-Jun-2022

**Model:** 967Z  
**Meters:**  
**Spare Parts Only:** No  
**Bypass:**



<b>Type:</b> RP	<b>Manufacturer:</b> Watts	<b>Model:</b> 990
<b>Size:</b> 4	<b>Orientation:</b> H	<b>Meters:</b>
<b>Manual:</b> 8	<b>0.25% Pb:</b> No	<b>Spare Parts Only:</b> Yes
<b>Approved:</b> 01-Nov-1992	<b>Renewed:</b> 01-Nov-2019	<b>Bypass:</b>
<b>Shutoffs:</b> oo,gg,hh,pp,tt,uu,yy		

---

<b>Type:</b> RP	<b>Manufacturer:</b> Watts	<b>Model:</b> 990
<b>Size:</b> 8	<b>Orientation:</b> H	<b>Meters:</b>
<b>Manual:</b> 8	<b>0.25% Pb:</b> No	<b>Spare Parts Only:</b> Yes
<b>Approved:</b> 13-Jan-1993	<b>Renewed:</b> 13-Jan-2020	<b>Bypass:</b>
<b>Shutoffs:</b> oo,gg,hh,pp,tt,uu,yy		

---

<b>Type:</b> RP	<b>Manufacturer:</b> Watts	<b>Model:</b> 990QTFDA
<b>Size:</b> 4	<b>Orientation:</b> H	<b>Meters:</b>
<b>Manual:</b> 8	<b>0.25% Pb:</b> No	<b>Spare Parts Only:</b> Yes
<b>Approved:</b> 13-Jan-1993	<b>Renewed:</b> 13-Jan-2020	<b>Bypass:</b>
<b>Shutoffs:</b> ww		

---

<b>Type:</b> RP	<b>Manufacturer:</b> Watts	<b>Model:</b> 990QTFDA
<b>Size:</b> 8	<b>Orientation:</b> H	<b>Meters:</b>
<b>Manual:</b> 8	<b>0.25% Pb:</b> No	<b>Spare Parts Only:</b> Yes
<b>Approved:</b> 13-Jan-1993	<b>Renewed:</b> 13-Jan-2020	<b>Bypass:</b>
<b>Shutoffs:</b> ww		

---

<b>Type:</b> RP	<b>Manufacturer:</b> Watts	<b>Model:</b> 992
<b>Size:</b> 4	<b>Orientation:</b> H	<b>Meters:</b>
<b>Manual:</b> 8	<b>0.25% Pb:</b> No	<b>Spare Parts Only:</b> Yes
<b>Approved:</b> 01-Nov-1992	<b>Renewed:</b> 01-Nov-2019	<b>Bypass:</b>
<b>Shutoffs:</b> oo		

---

<b>Type:</b> RP	<b>Manufacturer:</b> Watts	<b>Model:</b> 992
<b>Size:</b> 10	<b>Orientation:</b> H	<b>Meters:</b>
<b>Manual:</b> 8	<b>0.25% Pb:</b> No	<b>Spare Parts Only:</b> Yes
<b>Approved:</b> 13-Jan-1993	<b>Renewed:</b> 13-Jan-2020	<b>Bypass:</b>
<b>Shutoffs:</b> oo		

---

<b>Type:</b> RP	<b>Manufacturer:</b> Watts	<b>Model:</b> 994
<b>Size:</b> 2 1/2	<b>Orientation:</b> H	<b>Meters:</b>
<b>Manual:</b> 8	<b>0.25% Pb:</b> No	<b>Spare Parts Only:</b> No
<b>Approved:</b> 15-Apr-1994	<b>Renewed:</b> 15-Apr-2021	<b>Bypass:</b>
<b>Shutoffs:</b> (tt),ee,ff,gg,hh,pp,uu,ccc,ddd		

**Type:** RP                                   **Manufacturer:** Watts                                   **Model:** 994  
**Size:** 2 1/2                                   **Orientation:** H                                   **Meters:**  
**Manual:** 8                                   **0.25% Pb:** Yes                                   **Spare Parts Only:** No  
**Approved:** 15-Apr-1994                                   **Renewed:** 15-Apr-2021                                   **Bypass:**  
**Shutoffs:** ll,mm,oo,ffff,gggg

---

**Type:** RP                                   **Manufacturer:** Watts                                   **Model:** 994  
**Size:** 3                                   **Orientation:** H                                   **Meters:**  
**Manual:** 8                                   **0.25% Pb:** No                                   **Spare Parts Only:** No  
**Approved:** 15-Apr-1994                                   **Renewed:** 15-Apr-2021                                   **Bypass:**  
**Shutoffs:** (tt),ee,ff,gg,hh,pp,uu,ccc,ddd

---

**Type:** RP                                   **Manufacturer:** Watts                                   **Model:** 994  
**Size:** 3                                   **Orientation:** H                                   **Meters:**  
**Manual:** 8                                   **0.25% Pb:** Yes                                   **Spare Parts Only:** No  
**Approved:** 15-Apr-1994                                   **Renewed:** 15-Apr-2021                                   **Bypass:**  
**Shutoffs:** ll,mm,oo,ffff,gggg

---

**Type:** RP                                   **Manufacturer:** Watts                                   **Model:** 994  
**Size:** 4                                   **Orientation:** H                                   **Meters:**  
**Manual:** 8                                   **0.25% Pb:** No                                   **Spare Parts Only:** No  
**Approved:** 15-Apr-1994                                   **Renewed:** 15-Apr-2021                                   **Bypass:**  
**Shutoffs:** (tt),ee,ff,gg,hh,pp,uu,ccc,ddd

---

**Type:** RP                                   **Manufacturer:** Watts                                   **Model:** 994  
**Size:** 4                                   **Orientation:** H                                   **Meters:**  
**Manual:** 8                                   **0.25% Pb:** Yes                                   **Spare Parts Only:** No  
**Approved:** 15-Apr-1994                                   **Renewed:** 15-Apr-2021                                   **Bypass:**  
**Shutoffs:** ll,mm,oo,ffff,gggg

---

**Type:** RP                                   **Manufacturer:** Watts                                   **Model:** 994  
**Size:** 6                                   **Orientation:** H                                   **Meters:**  
**Manual:** 8                                   **0.25% Pb:** No                                   **Spare Parts Only:** No  
**Approved:** 22-Sep-1997                                   **Renewed:** 22-Sep-2021                                   **Bypass:**  
**Shutoffs:** (tt),ee,ff,gg,hh,pp,uu,ccc,ddd

---

**Type:** RP                                   **Manufacturer:** Watts                                   **Model:** 994  
**Size:** 6                                   **Orientation:** H                                   **Meters:**  
**Manual:** 8                                   **0.25% Pb:** Yes                                   **Spare Parts Only:** No  
**Approved:** 22-Sep-1997                                   **Renewed:** 22-Sep-2021                                   **Bypass:**  
**Shutoffs:** ll,mm,oo,ffff,gggg

**Type:** RP                                    **Manufacturer:** Watts                                    **Model:** 995QT  
**Size:** 1/2                                    **Orientation:** H                                    **Meters:**  
**Manual:** 9                                    **0.25% Pb:** No                                    **Spare Parts Only:** Yes  
**Approved:** 13-Apr-2000                                    **Renewed:** 13-Apr-2021                                    **Bypass:**  
**Shutoffs:** int

---

**Type:** RP                                    **Manufacturer:** Watts                                    **Model:** 995QT  
**Size:** 3/4                                    **Orientation:** H                                    **Meters:**  
**Manual:** 9                                    **0.25% Pb:** No                                    **Spare Parts Only:** Yes  
**Approved:** 13-Apr-2000                                    **Renewed:** 13-Apr-2021                                    **Bypass:**  
**Shutoffs:** int

---

**Type:** RP                                    **Manufacturer:** Watts                                    **Model:** 995QT  
**Size:** 1                                    **Orientation:** H                                    **Meters:**  
**Manual:** 9                                    **0.25% Pb:** No                                    **Spare Parts Only:** Yes  
**Approved:** 14-Jan-1999                                    **Renewed:** 14-Jan-2020                                    **Bypass:**  
**Shutoffs:** int

---

**Type:** RP                                    **Manufacturer:** Watts                                    **Model:** 995QT  
**Size:** 1 1/4                                    **Orientation:** H                                    **Meters:**  
**Manual:** 9                                    **0.25% Pb:** No                                    **Spare Parts Only:** Yes  
**Approved:** 28-Mar-2002                                    **Renewed:** 28-Mar-2020                                    **Bypass:**  
**Shutoffs:** int

---

**Type:** RP                                    **Manufacturer:** Watts                                    **Model:** 995QT  
**Size:** 1 1/2                                    **Orientation:** H                                    **Meters:**  
**Manual:** 9                                    **0.25% Pb:** No                                    **Spare Parts Only:** Yes  
**Approved:** 28-Mar-2002                                    **Renewed:** 28-Mar-2020                                    **Bypass:**  
**Shutoffs:** int

---

**Type:** RP                                    **Manufacturer:** Watts                                    **Model:** FAE909HWQT  
**Size:** 1 1/4                                    **Orientation:** H                                    **Meters:**  
**Manual:** 5                                    **0.25% Pb:** No                                    **Spare Parts Only:** Yes  
**Approved:** 07-Feb-1980                                    **Renewed:** 07-Feb-2022                                    **Bypass:**  
**Shutoffs:** (vv),xx,ooo,hhhh,pppp

---

**Type:** RP                                    **Manufacturer:** Watts                                    **Model:** FAE909HWQT  
**Size:** 1 1/2                                    **Orientation:** H                                    **Meters:**  
**Manual:** 5                                    **0.25% Pb:** No                                    **Spare Parts Only:** Yes  
**Approved:** 07-Feb-1980                                    **Renewed:** 07-Feb-2022                                    **Bypass:**  
**Shutoffs:** (vv),xx,ooo,hhhh,pppp

**Type:** RP                                      **Manufacturer:** Watts                                      **Model:** FAE909HWQT  
**Size:** 2    **Orientation:** H    **Meters:**  
**Manual:** 5    **0.25% Pb:** No    **Spare Parts Only:** Yes  
**Approved:** 07-Feb-1980                                      **Renewed:** 07-Feb-2022                                      **Bypass:**  
**Shutoffs:** (vv),xx,ooo,hhhh,pppp

---

**Type:** RP                                      **Manufacturer:** Watts                                      **Model:** FAE909QT  
**Size:** 1 1/4    **Orientation:** H    **Meters:**  
**Manual:** 6    **0.25% Pb:** No    **Spare Parts Only:** Yes  
**Approved:** 15-Jan-1982                                      **Renewed:** 15-Jan-2021                                      **Bypass:**  
**Shutoffs:** (vv),xx,ooo,hhhh,pppp

---

**Type:** RP                                      **Manufacturer:** Watts                                      **Model:** FAE909QT  
**Size:** 1 1/2    **Orientation:** H    **Meters:**  
**Manual:** 6    **0.25% Pb:** No    **Spare Parts Only:** Yes  
**Approved:** 15-Jan-1982                                      **Renewed:** 15-Jan-2021                                      **Bypass:**  
**Shutoffs:** (vv),xx,ooo,hhhh,pppp

---

**Type:** RP                                      **Manufacturer:** Watts                                      **Model:** FAE909QT  
**Size:** 2    **Orientation:** H    **Meters:**  
**Manual:** 6    **0.25% Pb:** No    **Spare Parts Only:** Yes  
**Approved:** 15-Jan-1982                                      **Renewed:** 15-Jan-2021                                      **Bypass:**  
**Shutoffs:** (vv),xx,ooo,hhhh,pppp

---

**Type:** RP                                      **Manufacturer:** Watts                                      **Model:** LF009  
**Size:** 2 1/2    **Orientation:** H    **Meters:**  
**Manual:** 9    **0.25% Pb:** Yes    **Spare Parts Only:** No  
**Approved:** 12-Jan-2010                                      **Renewed:** 12-Jan-2022                                      **Bypass:**  
**Shutoffs:** (oo),ll,mm

---

**Type:** RP                                      **Manufacturer:** Watts                                      **Model:** LF009  
**Size:** 3    **Orientation:** H    **Meters:**  
**Manual:** 9    **0.25% Pb:** Yes    **Spare Parts Only:** No  
**Approved:** 12-Jan-2010                                      **Renewed:** 12-Jan-2022                                      **Bypass:**  
**Shutoffs:** (oo),ll,mm

---

**Type:** RP                                      **Manufacturer:** Watts                                      **Model:** LF009IOTQT  
**Size:** 1/2    **Orientation:** H    **Meters:**  
**Manual:** 9    **0.25% Pb:** Yes    **Spare Parts Only:** No  
**Approved:** 25-Feb-2021                                      **Renewed:**    **Bypass:**  
**Shutoffs:** (hhhh),rrrr

**Type:** RP  
**Size:** 1  
**Manual:** 9  
**Approved:** 25-Feb-2021  
**Shutoffs:** (hhhh),rrrr

**Manufacturer:** Watts  
**Orientation:** H  
**0.25% Pb:** Yes  
**Renewed:**

**Model:** LF009M2IOTQT  
**Meters:**  
**Spare Parts Only:** No  
**Bypass:**

---

**Type:** RP  
**Size:** 2  
**Manual:** 9  
**Approved:** 25-Feb-2021  
**Shutoffs:** (hhhh),rrrr

**Manufacturer:** Watts  
**Orientation:** H  
**0.25% Pb:** Yes  
**Renewed:**

**Model:** LF009M2IOTQT  
**Meters:**  
**Spare Parts Only:** No  
**Bypass:**

---

**Type:** RP  
**Size:** 1  
**Manual:** 9  
**Approved:** 13-Mar-2015  
**Shutoffs:** (hhhh),rrrr

**Manufacturer:** Watts  
**Orientation:** H  
**0.25% Pb:** Yes  
**Renewed:** 13-Mar-2021

**Model:** LF009M2PCQT  
**Meters:**  
**Spare Parts Only:** No  
**Bypass:**

---

**Type:** RP  
**Size:** 2  
**Manual:** 9  
**Approved:** 13-Mar-2015  
**Shutoffs:** (hhhh),rrrr

**Manufacturer:** Watts  
**Orientation:** H  
**0.25% Pb:** Yes  
**Renewed:** 13-Mar-2021

**Model:** LF009M2PCQT  
**Meters:**  
**Spare Parts Only:** No  
**Bypass:**

---

**Type:** RP  
**Size:** 1  
**Manual:** 9  
**Approved:** 11-Jan-2008  
**Shutoffs:** (hhhh),rrrr

**Manufacturer:** Watts  
**Orientation:** H  
**0.25% Pb:** Yes  
**Renewed:** 11-Jan-2020

**Model:** LF009M2QT  
**Meters:**  
**Spare Parts Only:** No  
**Bypass:**

---

**Type:** RP  
**Size:** 1 1/4  
**Manual:** 8  
**Approved:** 11-Jan-2008  
**Shutoffs:** (hhhh),rrrr

**Manufacturer:** Watts  
**Orientation:** H  
**0.25% Pb:** Yes  
**Renewed:** 11-Jan-2020

**Model:** LF009M2QT  
**Meters:**  
**Spare Parts Only:** No  
**Bypass:**

---

**Type:** RP  
**Size:** 1 1/2  
**Manual:** 8  
**Approved:** 11-Jan-2008  
**Shutoffs:** (hhhh),rrrr

**Manufacturer:** Watts  
**Orientation:** H  
**0.25% Pb:** Yes  
**Renewed:** 11-Jan-2020

**Model:** LF009M2QT  
**Meters:**  
**Spare Parts Only:** No  
**Bypass:**

<b>Type:</b> RP	<b>Manufacturer:</b> Watts	<b>Model:</b> LF009M2QT
<b>Size:</b> 2	<b>Orientation:</b> H	<b>Meters:</b>
<b>Manual:</b> 9	<b>0.25% Pb:</b> Yes	<b>Spare Parts Only:</b> No
<b>Approved:</b> 11-Jan-2008	<b>Renewed:</b> 11-Jan-2020	<b>Bypass:</b>
<b>Shutoffs:</b> (hhhh),rrrr		

---

<b>Type:</b> RP	<b>Manufacturer:</b> Watts	<b>Model:</b> LF009M3IOTQT
<b>Size:</b> 3/4	<b>Orientation:</b> H	<b>Meters:</b>
<b>Manual:</b> 9	<b>0.25% Pb:</b> Yes	<b>Spare Parts Only:</b> No
<b>Approved:</b> 25-Feb-2021	<b>Renewed:</b>	<b>Bypass:</b>
<b>Shutoffs:</b> (hhhh),rrrr		

---

<b>Type:</b> RP	<b>Manufacturer:</b> Watts	<b>Model:</b> LF009M3PCQT
<b>Size:</b> 3/4	<b>Orientation:</b> H	<b>Meters:</b>
<b>Manual:</b> 9	<b>0.25% Pb:</b> Yes	<b>Spare Parts Only:</b> No
<b>Approved:</b> 13-Mar-2015	<b>Renewed:</b> 13-Mar-2021	<b>Bypass:</b>
<b>Shutoffs:</b> (hhhh),rrrr		

---

<b>Type:</b> RP	<b>Manufacturer:</b> Watts	<b>Model:</b> LF009M3QT
<b>Size:</b> 3/4	<b>Orientation:</b> H	<b>Meters:</b>
<b>Manual:</b> 9	<b>0.25% Pb:</b> Yes	<b>Spare Parts Only:</b> No
<b>Approved:</b> 11-Jan-2008	<b>Renewed:</b> 11-Jan-2020	<b>Bypass:</b>
<b>Shutoffs:</b> (hhhh),rrrr		

---

<b>Type:</b> RP	<b>Manufacturer:</b> Watts	<b>Model:</b> LF009PCQT
<b>Size:</b> 1/2	<b>Orientation:</b> H	<b>Meters:</b>
<b>Manual:</b> 9	<b>0.25% Pb:</b> Yes	<b>Spare Parts Only:</b> No
<b>Approved:</b> 13-Mar-2015	<b>Renewed:</b> 13-Mar-2021	<b>Bypass:</b>
<b>Shutoffs:</b> (hhhh),rrrr		

---

<b>Type:</b> RP	<b>Manufacturer:</b> Watts	<b>Model:</b> LF009QT
<b>Size:</b> 1/2	<b>Orientation:</b> H	<b>Meters:</b>
<b>Manual:</b> 9	<b>0.25% Pb:</b> Yes	<b>Spare Parts Only:</b> No
<b>Approved:</b> 11-Jan-2008	<b>Renewed:</b> 11-Jan-2020	<b>Bypass:</b>
<b>Shutoffs:</b> (hhhh),rrrr		

---

<b>Type:</b> RP	<b>Manufacturer:</b> Watts	<b>Model:</b> LF909
<b>Size:</b> 2 1/2	<b>Orientation:</b> H	<b>Meters:</b>
<b>Manual:</b> 9	<b>0.25% Pb:</b> Yes	<b>Spare Parts Only:</b> No
<b>Approved:</b> 12-Jan-2010	<b>Renewed:</b> 12-Jan-2022	<b>Bypass:</b>
<b>Shutoffs:</b> (ll),mm,oo,pp,zzz,cccc,dddd,eeee,ffff,gggg,nnnnn		

**Type:** RP                                      **Manufacturer:** Watts                                      **Model:** LF909  
**Size:** 3    **Orientation:** H    **Meters:**  
**Manual:** 9                                      **0.25% Pb:** Yes    **Spare Parts Only:** No  
**Approved:** 12-Jan-2010                      **Renewed:** 12-Jan-2022    **Bypass:**  
**Shutoffs:** (ll),mm,oo,pp,zzz,cccc,dddd,eeee,ffff,gggg,nnnnn

---

**Type:** RP                                      **Manufacturer:** Watts                                      **Model:** LF909  
**Size:** 4    **Orientation:** H    **Meters:**  
**Manual:** 9                                      **0.25% Pb:** Yes    **Spare Parts Only:** No  
**Approved:** 27-Jul-2012                      **Renewed:** 27-Jul-2021    **Bypass:**  
**Shutoffs:** (ll),mm,oo,pp,zzz,cccc,dddd,eeee,ffff,gggg,nnnnn

---

**Type:** RP                                      **Manufacturer:** Watts                                      **Model:** LF909  
**Size:** 6    **Orientation:** H    **Meters:**  
**Manual:** 9                                      **0.25% Pb:** Yes    **Spare Parts Only:** No  
**Approved:** 27-Jul-2012                      **Renewed:** 27-Jul-2021    **Bypass:**  
**Shutoffs:** (ll),mm,oo,pp,zzz,cccc,dddd,eeee,ffff,gggg,nnnnn

---

**Type:** RP                                      **Manufacturer:** Watts                                      **Model:** LF909M1  
**Size:** 8    **Orientation:** H    **Meters:**  
**Manual:** 9                                      **0.25% Pb:** Yes    **Spare Parts Only:** No  
**Approved:** 01-Jul-2010                      **Renewed:** 01-Jul-2022    **Bypass:**  
**Shutoffs:** (ll),mm,oo,pp,zzz,cccc,dddd,eeee,ffff,gggg,nnnnn

---

**Type:** RP                                      **Manufacturer:** Watts                                      **Model:** LF909M1  
**Size:** 10    **Orientation:** H    **Meters:**  
**Manual:** 9                                      **0.25% Pb:** Yes    **Spare Parts Only:** No  
**Approved:** 01-Jul-2010                      **Renewed:** 01-Jul-2022    **Bypass:**  
**Shutoffs:** (ll),mm,oo,pp,zzz,cccc,dddd,eeee,ffff,gggg,nnnnn

---

**Type:** RP                                      **Manufacturer:** Watts                                      **Model:** LF909M1PCQT  
**Size:** 1 1/4    **Orientation:** H    **Meters:**  
**Manual:** 9                                      **0.25% Pb:** No    **Spare Parts Only:** No  
**Approved:** 13-Mar-2015                      **Renewed:** 13-Mar-2021    **Bypass:**  
**Shutoffs:** (hhhh),rrrrr

---

**Type:** RP                                      **Manufacturer:** Watts                                      **Model:** LF909M1PCQT  
**Size:** 1 1/2    **Orientation:** H    **Meters:**  
**Manual:** 9                                      **0.25% Pb:** No    **Spare Parts Only:** No  
**Approved:** 13-Mar-2015                      **Renewed:** 13-Mar-2021    **Bypass:**  
**Shutoffs:** (hhhh),rrrrr

<b>Type:</b> RP	<b>Manufacturer:</b> Watts	<b>Model:</b> LF909M1PCQT
<b>Size:</b> 2	<b>Orientation:</b> H	<b>Meters:</b>
<b>Manual:</b> 9	<b>0.25% Pb:</b> No	<b>Spare Parts Only:</b> No
<b>Approved:</b> 13-Mar-2015	<b>Renewed:</b> 13-Mar-2021	<b>Bypass:</b>
<b>Shutoffs:</b> (hhhh),rrrr		

---

<b>Type:</b> RP	<b>Manufacturer:</b> Watts	<b>Model:</b> LF909M1QT
<b>Size:</b> 1 1/4	<b>Orientation:</b> H	<b>Meters:</b>
<b>Manual:</b> 9	<b>0.25% Pb:</b> Yes	<b>Spare Parts Only:</b> No
<b>Approved:</b> 18-Feb-2010	<b>Renewed:</b> 18-Feb-2022	<b>Bypass:</b>
<b>Shutoffs:</b> (hhhh),rrrr		

---

<b>Type:</b> RP	<b>Manufacturer:</b> Watts	<b>Model:</b> LF909M1QT
<b>Size:</b> 1 1/2	<b>Orientation:</b> H	<b>Meters:</b>
<b>Manual:</b> 9	<b>0.25% Pb:</b> Yes	<b>Spare Parts Only:</b> No
<b>Approved:</b> 18-Feb-2010	<b>Renewed:</b> 18-Feb-2022	<b>Bypass:</b>
<b>Shutoffs:</b> (hhhh),rrrr		

---

<b>Type:</b> RP	<b>Manufacturer:</b> Watts	<b>Model:</b> LF909M1QT
<b>Size:</b> 2	<b>Orientation:</b> H	<b>Meters:</b>
<b>Manual:</b> 9	<b>0.25% Pb:</b> Yes	<b>Spare Parts Only:</b> No
<b>Approved:</b> 18-Feb-2010	<b>Renewed:</b> 18-Feb-2022	<b>Bypass:</b>
<b>Shutoffs:</b> (hhhh),rrrr		

---

<b>Type:</b> RP	<b>Manufacturer:</b> Watts	<b>Model:</b> LF909PCQT
<b>Size:</b> 3/4	<b>Orientation:</b> H	<b>Meters:</b>
<b>Manual:</b> 9	<b>0.25% Pb:</b> No	<b>Spare Parts Only:</b> No
<b>Approved:</b> 13-Mar-2015	<b>Renewed:</b> 13-Mar-2021	<b>Bypass:</b>
<b>Shutoffs:</b> (hhhh),rrrr		

---

<b>Type:</b> RP	<b>Manufacturer:</b> Watts	<b>Model:</b> LF909PCQT
<b>Size:</b> 3/4	<b>Orientation:</b> VU	<b>Meters:</b>
<b>Manual:</b> 9	<b>0.25% Pb:</b> No	<b>Spare Parts Only:</b> No
<b>Approved:</b> 13-Mar-2015	<b>Renewed:</b> 13-Mar-2021	<b>Bypass:</b>
<b>Shutoffs:</b> (hhhh),rrrr		

---

<b>Type:</b> RP	<b>Manufacturer:</b> Watts	<b>Model:</b> LF909PCQT
<b>Size:</b> 1	<b>Orientation:</b> H	<b>Meters:</b>
<b>Manual:</b> 9	<b>0.25% Pb:</b> No	<b>Spare Parts Only:</b> No
<b>Approved:</b> 13-Mar-2015	<b>Renewed:</b> 13-Mar-2021	<b>Bypass:</b>
<b>Shutoffs:</b> (hhhh),rrrr		



<b>Type:</b> RP	<b>Manufacturer:</b> Watts	<b>Model:</b> LF909PCQT
<b>Size:</b> 1	<b>Orientation:</b> VU	<b>Meters:</b>
<b>Manual:</b> 9	<b>0.25% Pb:</b> No	<b>Spare Parts Only:</b> No
<b>Approved:</b> 13-Mar-2015	<b>Renewed:</b> 13-Mar-2021	<b>Bypass:</b>
<b>Shutoffs:</b> (hhhh),rrrr		

---

<b>Type:</b> RP	<b>Manufacturer:</b> Watts	<b>Model:</b> LF909QT
<b>Size:</b> 3/4	<b>Orientation:</b> H	<b>Meters:</b>
<b>Manual:</b> 9	<b>0.25% Pb:</b> Yes	<b>Spare Parts Only:</b> No
<b>Approved:</b> 18-Feb-2010	<b>Renewed:</b> 18-Feb-2022	<b>Bypass:</b>
<b>Shutoffs:</b> (hhhh),rrrr		

---

<b>Type:</b> RP	<b>Manufacturer:</b> Watts	<b>Model:</b> LF909QT
<b>Size:</b> 3/4	<b>Orientation:</b> VU	<b>Meters:</b>
<b>Manual:</b> 9	<b>0.25% Pb:</b> Yes	<b>Spare Parts Only:</b> No
<b>Approved:</b> 15-Nov-2010	<b>Renewed:</b> 15-Nov-2019	<b>Bypass:</b>
<b>Shutoffs:</b> (hhhh),rrrr		

---

<b>Type:</b> RP	<b>Manufacturer:</b> Watts	<b>Model:</b> LF909QT
<b>Size:</b> 1	<b>Orientation:</b> H	<b>Meters:</b>
<b>Manual:</b> 9	<b>0.25% Pb:</b> Yes	<b>Spare Parts Only:</b> No
<b>Approved:</b> 18-Feb-2010	<b>Renewed:</b> 18-Feb-2022	<b>Bypass:</b>
<b>Shutoffs:</b> (hhhh),rrrr		

---

<b>Type:</b> RP	<b>Manufacturer:</b> Watts	<b>Model:</b> LF909QT
<b>Size:</b> 1	<b>Orientation:</b> VU	<b>Meters:</b>
<b>Manual:</b> 9	<b>0.25% Pb:</b> Yes	<b>Spare Parts Only:</b> No
<b>Approved:</b> 15-Nov-2010	<b>Renewed:</b> 15-Nov-2019	<b>Bypass:</b>
<b>Shutoffs:</b> (hhhh),rrrr		

---

<b>Type:</b> RP	<b>Manufacturer:</b> Watts	<b>Model:</b> LF919AQT
<b>Size:</b> 3/4	<b>Orientation:</b> VUVD	<b>Meters:</b>
<b>Manual:</b> 9	<b>0.25% Pb:</b> No	<b>Spare Parts Only:</b> Yes
<b>Approved:</b> 14-Jun-2006	<b>Renewed:</b> 14-Jun-2021	<b>Bypass:</b>
<b>Shutoffs:</b> (vv),xx,ooo,pppp,rrrrr		

---

<b>Type:</b> RP	<b>Manufacturer:</b> Watts	<b>Model:</b> LF919AQT
<b>Size:</b> 3/4	<b>Orientation:</b> VUVD	<b>Meters:</b>
<b>Manual:</b> 9	<b>0.25% Pb:</b> Yes	<b>Spare Parts Only:</b> Yes
<b>Approved:</b> 14-Jun-2006	<b>Renewed:</b> 14-Jun-2021	<b>Bypass:</b>
<b>Shutoffs:</b> (hhhh),rrrr		

**Type:** RP  
**Size:** 1  
**Manual:** 9  
**Approved:** 12-Apr-2006  
**Shutoffs:** (vv),xx,ooo,pppp,rrrrr

**Manufacturer:** Watts  
**Orientation:** VUVD  
**0.25% Pb:** No  
**Renewed:** 12-Apr-2021

**Model:** LF919AQT  
**Meters:**  
**Spare Parts Only:** No  
**Bypass:**

---

**Type:** RP  
**Size:** 1  
**Manual:** 9  
**Approved:** 12-Apr-2006  
**Shutoffs:** (hhhh),rrrrr

**Manufacturer:** Watts  
**Orientation:** VUVD  
**0.25% Pb:** Yes  
**Renewed:** 12-Apr-2021

**Model:** LF919AQT  
**Meters:**  
**Spare Parts Only:** No  
**Bypass:**

---

**Type:** RP  
**Size:** 1 1/4  
**Manual:** 9  
**Approved:** 05-Sep-2006  
**Shutoffs:** (vv),xx,ooo,pppp,rrrrr

**Manufacturer:** Watts  
**Orientation:** VUVD  
**0.25% Pb:** No  
**Renewed:** 05-Sep-2021

**Model:** LF919AQT  
**Meters:**  
**Spare Parts Only:** No  
**Bypass:**

---

**Type:** RP  
**Size:** 1 1/4  
**Manual:** 9  
**Approved:** 05-Sep-2006  
**Shutoffs:** (hhhh),rrrrr

**Manufacturer:** Watts  
**Orientation:** VUVD  
**0.25% Pb:** Yes  
**Renewed:** 05-Sep-2021

**Model:** LF919AQT  
**Meters:**  
**Spare Parts Only:** No  
**Bypass:**

---

**Type:** RP  
**Size:** 1 1/2  
**Manual:** 9  
**Approved:** 12-Apr-2006  
**Shutoffs:** (vv),xx,ooo,pppp,rrrrr

**Manufacturer:** Watts  
**Orientation:** VUVD  
**0.25% Pb:** No  
**Renewed:** 12-Apr-2021

**Model:** LF919AQT  
**Meters:**  
**Spare Parts Only:** No  
**Bypass:**

---

**Type:** RP  
**Size:** 1 1/2  
**Manual:** 9  
**Approved:** 12-Apr-2006  
**Shutoffs:** (hhhh),rrrrr

**Manufacturer:** Watts  
**Orientation:** VUVD  
**0.25% Pb:** Yes  
**Renewed:** 12-Apr-2021

**Model:** LF919AQT  
**Meters:**  
**Spare Parts Only:** No  
**Bypass:**

---

**Type:** RP  
**Size:** 2  
**Manual:** 9  
**Approved:** 12-Apr-2006  
**Shutoffs:** (vv),xx,ooo,pppp,rrrrr

**Manufacturer:** Watts  
**Orientation:** VUVD  
**0.25% Pb:** No  
**Renewed:** 12-Apr-2021

**Model:** LF919AQT  
**Meters:**  
**Spare Parts Only:** No  
**Bypass:**

**Type:** RP  
**Size:** 2  
**Manual:** 9  
**Approved:** 12-Apr-2006  
**Shutoffs:** (hhhh),rrrr

**Manufacturer:** Watts  
**Orientation:** VUVD  
**0.25% Pb:** Yes  
**Renewed:** 12-Apr-2021

**Model:** LF919AQT  
**Meters:**  
**Spare Parts Only:** No  
**Bypass:**

---

**Type:** RP  
**Size:** 3/4  
**Manual:** 9  
**Approved:** 14-Jun-2006  
**Shutoffs:** (vv),xx,ooo,pppp,rrrr

**Manufacturer:** Watts  
**Orientation:** H  
**0.25% Pb:** No  
**Renewed:** 14-Jun-2021

**Model:** LF919QT  
**Meters:**  
**Spare Parts Only:** No  
**Bypass:**

---

**Type:** RP  
**Size:** 3/4  
**Manual:** 9  
**Approved:** 14-Jun-2006  
**Shutoffs:** (hhhh),rrrr

**Manufacturer:** Watts  
**Orientation:** H  
**0.25% Pb:** Yes  
**Renewed:** 14-Jun-2021

**Model:** LF919QT  
**Meters:**  
**Spare Parts Only:** No  
**Bypass:**

---

**Type:** RP  
**Size:** 3/4  
**Manual:** 9  
**Approved:** 30-Aug-2006  
**Shutoffs:** (vv),xx,ooo,pppp,rrrr

**Manufacturer:** Watts  
**Orientation:** VD  
**0.25% Pb:** No  
**Renewed:** 30-Aug-2021

**Model:** LF919QT  
**Meters:**  
**Spare Parts Only:** No  
**Bypass:**

---

**Type:** RP  
**Size:** 3/4  
**Manual:** 9  
**Approved:** 30-Aug-2006  
**Shutoffs:** (hhhh),rrrr

**Manufacturer:** Watts  
**Orientation:** VD  
**0.25% Pb:** Yes  
**Renewed:** 30-Aug-2021

**Model:** LF919QT  
**Meters:**  
**Spare Parts Only:** No  
**Bypass:**

---

**Type:** RP  
**Size:** 1  
**Manual:** 9  
**Approved:** 12-Apr-2006  
**Shutoffs:** (vv),xx,ooo,pppp,rrrr

**Manufacturer:** Watts  
**Orientation:** H  
**0.25% Pb:** No  
**Renewed:** 12-Apr-2021

**Model:** LF919QT  
**Meters:**  
**Spare Parts Only:** No  
**Bypass:**

---

**Type:** RP  
**Size:** 1  
**Manual:** 9  
**Approved:** 12-Apr-2006  
**Shutoffs:** (hhhh),rrrr

**Manufacturer:** Watts  
**Orientation:** H  
**0.25% Pb:** Yes  
**Renewed:** 12-Apr-2021

**Model:** LF919QT  
**Meters:**  
**Spare Parts Only:** No  
**Bypass:**

<b>Type:</b> RP	<b>Manufacturer:</b> Watts	<b>Model:</b> LF919QT
<b>Size:</b> 1	<b>Orientation:</b> VD	<b>Meters:</b>
<b>Manual:</b> 9	<b>0.25% Pb:</b> No	<b>Spare Parts Only:</b> No
<b>Approved:</b> 30-Aug-2006	<b>Renewed:</b> 30-Aug-2021	<b>Bypass:</b>
<b>Shutoffs:</b> (vv),xx,ooo,pppp,rrrrr		

---

<b>Type:</b> RP	<b>Manufacturer:</b> Watts	<b>Model:</b> LF919QT
<b>Size:</b> 1	<b>Orientation:</b> VD	<b>Meters:</b>
<b>Manual:</b> 9	<b>0.25% Pb:</b> Yes	<b>Spare Parts Only:</b> No
<b>Approved:</b> 30-Aug-2006	<b>Renewed:</b> 30-Aug-2021	<b>Bypass:</b>
<b>Shutoffs:</b> (hhhh),rrrrr		

---

<b>Type:</b> RP	<b>Manufacturer:</b> Watts	<b>Model:</b> LF919QT
<b>Size:</b> 1 1/4	<b>Orientation:</b> H	<b>Meters:</b>
<b>Manual:</b> 9	<b>0.25% Pb:</b> No	<b>Spare Parts Only:</b> No
<b>Approved:</b> 12-Apr-2006	<b>Renewed:</b> 12-Apr-2021	<b>Bypass:</b>
<b>Shutoffs:</b> (vv),xx,ooo,pppp,rrrrr		

---

<b>Type:</b> RP	<b>Manufacturer:</b> Watts	<b>Model:</b> LF919QT
<b>Size:</b> 1 1/4	<b>Orientation:</b> H	<b>Meters:</b>
<b>Manual:</b> 9	<b>0.25% Pb:</b> Yes	<b>Spare Parts Only:</b> No
<b>Approved:</b> 12-Apr-2006	<b>Renewed:</b> 12-Apr-2021	<b>Bypass:</b>
<b>Shutoffs:</b> (hhhh),rrrrr		

---

<b>Type:</b> RP	<b>Manufacturer:</b> Watts	<b>Model:</b> LF919QT
<b>Size:</b> 1 1/4	<b>Orientation:</b> VD	<b>Meters:</b>
<b>Manual:</b> 9	<b>0.25% Pb:</b> No	<b>Spare Parts Only:</b> No
<b>Approved:</b> 30-Aug-2006	<b>Renewed:</b> 30-Aug-2021	<b>Bypass:</b>
<b>Shutoffs:</b> (vv),xx,ooo,pppp,rrrrr		

---

<b>Type:</b> RP	<b>Manufacturer:</b> Watts	<b>Model:</b> LF919QT
<b>Size:</b> 1 1/4	<b>Orientation:</b> VD	<b>Meters:</b>
<b>Manual:</b> 9	<b>0.25% Pb:</b> Yes	<b>Spare Parts Only:</b> No
<b>Approved:</b> 30-Aug-2006	<b>Renewed:</b> 30-Aug-2021	<b>Bypass:</b>
<b>Shutoffs:</b> (hhhh),rrrrr		

---

<b>Type:</b> RP	<b>Manufacturer:</b> Watts	<b>Model:</b> LF919QT
<b>Size:</b> 1 1/2	<b>Orientation:</b> H	<b>Meters:</b>
<b>Manual:</b> 9	<b>0.25% Pb:</b> No	<b>Spare Parts Only:</b> No
<b>Approved:</b> 12-Apr-2006	<b>Renewed:</b> 12-Apr-2021	<b>Bypass:</b>
<b>Shutoffs:</b> (vv),xx,ooo,pppp,rrrrr		

**Type:** RP  
**Size:** 1 1/2  
**Manual:** 9  
**Approved:** 12-Apr-2006  
**Shutoffs:** (hhhh),rrrr

**Manufacturer:** Watts  
**Orientation:** H  
**0.25% Pb:** Yes  
**Renewed:** 12-Apr-2021

**Model:** LF919QT  
**Meters:**  
**Spare Parts Only:** No  
**Bypass:**

---

**Type:** RP  
**Size:** 1 1/2  
**Manual:** 9  
**Approved:** 30-Aug-2006  
**Shutoffs:** (vv),xx,ooo,pppp,rrrr

**Manufacturer:** Watts  
**Orientation:** VD  
**0.25% Pb:** No  
**Renewed:** 30-Aug-2021

**Model:** LF919QT  
**Meters:**  
**Spare Parts Only:** No  
**Bypass:**

---

**Type:** RP  
**Size:** 1 1/2  
**Manual:** 9  
**Approved:** 30-Aug-2006  
**Shutoffs:** (hhhh),rrrr

**Manufacturer:** Watts  
**Orientation:** VD  
**0.25% Pb:** Yes  
**Renewed:** 30-Aug-2021

**Model:** LF919QT  
**Meters:**  
**Spare Parts Only:** No  
**Bypass:**

---

**Type:** RP  
**Size:** 2  
**Manual:** 9  
**Approved:** 12-Apr-2006  
**Shutoffs:** (vv),xx,ooo,pppp,rrrr

**Manufacturer:** Watts  
**Orientation:** H  
**0.25% Pb:** No  
**Renewed:** 12-Apr-2021

**Model:** LF919QT  
**Meters:**  
**Spare Parts Only:** No  
**Bypass:**

---

**Type:** RP  
**Size:** 2  
**Manual:** 9  
**Approved:** 12-Apr-2006  
**Shutoffs:** (hhhh),rrrr

**Manufacturer:** Watts  
**Orientation:** H  
**0.25% Pb:** Yes  
**Renewed:** 12-Apr-2021

**Model:** LF919QT  
**Meters:**  
**Spare Parts Only:** No  
**Bypass:**

---

**Type:** RP  
**Size:** 2  
**Manual:** 9  
**Approved:** 30-Aug-2006  
**Shutoffs:** (vv),xx,ooo,pppp,rrrr

**Manufacturer:** Watts  
**Orientation:** VD  
**0.25% Pb:** No  
**Renewed:** 30-Aug-2021

**Model:** LF919QT  
**Meters:**  
**Spare Parts Only:** No  
**Bypass:**

---

**Type:** RP  
**Size:** 2  
**Manual:** 9  
**Approved:** 30-Aug-2006  
**Shutoffs:** (hhhh),rrrr

**Manufacturer:** Watts  
**Orientation:** VD  
**0.25% Pb:** Yes  
**Renewed:** 30-Aug-2021

**Model:** LF919QT  
**Meters:**  
**Spare Parts Only:** No  
**Bypass:**

**Type:** RP                                   **Manufacturer:** Watts                                   **Model:** LF919ZQT  
**Size:** 3/4                                   **Orientation:** VUVU                                   **Meters:**  
**Manual:** 9                                   **0.25% Pb:** No                                   **Spare Parts Only:** Yes  
**Approved:** 14-Jun-2006                                   **Renewed:** 14-Jun-2021                                   **Bypass:**  
**Shutoffs:** (vv),xx,ooo,hhhh,pppp,rrrr

---

**Type:** RP                                   **Manufacturer:** Watts                                   **Model:** LF919ZQT  
**Size:** 1                                   **Orientation:** VUVU                                   **Meters:**  
**Manual:** 9                                   **0.25% Pb:** No                                   **Spare Parts Only:** No  
**Approved:** 12-Apr-2006                                   **Renewed:** 12-Apr-2021                                   **Bypass:**  
**Shutoffs:** (vv),xx,ooo,hhhh,pppp,rrrr

---

**Type:** RP                                   **Manufacturer:** Watts                                   **Model:** LF919ZQT  
**Size:** 1 1/4                                   **Orientation:** VUVU                                   **Meters:**  
**Manual:** 9                                   **0.25% Pb:** No                                   **Spare Parts Only:** No  
**Approved:** 12-Apr-2006                                   **Renewed:** 12-Apr-2021                                   **Bypass:**  
**Shutoffs:** (vv),xx,ooo,hhhh,pppp,rrrr

---

**Type:** RP                                   **Manufacturer:** Watts                                   **Model:** LF919ZQT  
**Size:** 1 1/2                                   **Orientation:** VUVU                                   **Meters:**  
**Manual:** 9                                   **0.25% Pb:** No                                   **Spare Parts Only:** No  
**Approved:** 12-Apr-2006                                   **Renewed:** 12-Apr-2021                                   **Bypass:**  
**Shutoffs:** (vv),xx,ooo,hhhh,pppp,rrrr

---

**Type:** RP                                   **Manufacturer:** Watts                                   **Model:** LF919ZQT  
**Size:** 2                                   **Orientation:** VUVU                                   **Meters:**  
**Manual:** 9                                   **0.25% Pb:** No                                   **Spare Parts Only:** No  
**Approved:** 12-Apr-2006                                   **Renewed:** 12-Apr-2021                                   **Bypass:**  
**Shutoffs:** (vv),xx,ooo,hhhh,pppp,rrrr

---

**Type:** RP                                   **Manufacturer:** Watts                                   **Model:** LFU919AQT  
**Size:** 3/4                                   **Orientation:** VUVD                                   **Meters:**  
**Manual:** 9                                   **0.25% Pb:** No                                   **Spare Parts Only:** Yes  
**Approved:** 14-Jun-2006                                   **Renewed:** 14-Jun-2021                                   **Bypass:**  
**Shutoffs:** (vv),xx,ooo,pppp

---

**Type:** RP                                   **Manufacturer:** Watts                                   **Model:** LFU919AQT  
**Size:** 3/4                                   **Orientation:** VUVD                                   **Meters:**  
**Manual:** 9                                   **0.25% Pb:** Yes                                   **Spare Parts Only:** Yes  
**Approved:** 14-Jun-2006                                   **Renewed:** 14-Jun-2021                                   **Bypass:**  
**Shutoffs:** hhhh

**Type:** RP  
**Size:** 1  
**Manual:** 9  
**Approved:** 12-Apr-2006  
**Shutoffs:** (vv),xx,ooo,pppp

**Manufacturer:** Watts  
**Orientation:** VUVD  
**0.25% Pb:** No  
**Renewed:** 12-Apr-2021

**Model:** LFU919AQT  
**Meters:**  
**Spare Parts Only:** No  
**Bypass:**

---

**Type:** RP  
**Size:** 1  
**Manual:** 9  
**Approved:** 12-Apr-2006  
**Shutoffs:** hhhh

**Manufacturer:** Watts  
**Orientation:** VUVD  
**0.25% Pb:** Yes  
**Renewed:** 12-Apr-2021

**Model:** LFU919AQT  
**Meters:**  
**Spare Parts Only:** No  
**Bypass:**

---

**Type:** RP  
**Size:** 1 1/4  
**Manual:** 9  
**Approved:** 12-Apr-2006  
**Shutoffs:** (vv),xx,ooo,pppp

**Manufacturer:** Watts  
**Orientation:** VUVD  
**0.25% Pb:** No  
**Renewed:** 12-Apr-2021

**Model:** LFU919AQT  
**Meters:**  
**Spare Parts Only:** No  
**Bypass:**

---

**Type:** RP  
**Size:** 1 1/4  
**Manual:** 9  
**Approved:** 12-Apr-2006  
**Shutoffs:** hhhh

**Manufacturer:** Watts  
**Orientation:** VUVD  
**0.25% Pb:** Yes  
**Renewed:** 12-Apr-2021

**Model:** LFU919AQT  
**Meters:**  
**Spare Parts Only:** No  
**Bypass:**

---

**Type:** RP  
**Size:** 1 1/2  
**Manual:** 9  
**Approved:** 12-Apr-2006  
**Shutoffs:** (vv),xx,ooo,pppp

**Manufacturer:** Watts  
**Orientation:** VUVD  
**0.25% Pb:** No  
**Renewed:** 12-Apr-2021

**Model:** LFU919AQT  
**Meters:**  
**Spare Parts Only:** No  
**Bypass:**

---

**Type:** RP  
**Size:** 1 1/2  
**Manual:** 9  
**Approved:** 12-Apr-2006  
**Shutoffs:** hhhh

**Manufacturer:** Watts  
**Orientation:** VUVD  
**0.25% Pb:** Yes  
**Renewed:** 12-Apr-2021

**Model:** LFU919AQT  
**Meters:**  
**Spare Parts Only:** No  
**Bypass:**

---

**Type:** RP  
**Size:** 2  
**Manual:** 9  
**Approved:** 12-Apr-2006  
**Shutoffs:** (vv),xx,ooo,pppp

**Manufacturer:** Watts  
**Orientation:** VUVD  
**0.25% Pb:** No  
**Renewed:** 12-Apr-2021

**Model:** LFU919AQT  
**Meters:**  
**Spare Parts Only:** No  
**Bypass:**

**Type:** RP  
**Size:** 2  
**Manual:** 9  
**Approved:** 12-Apr-2006  
**Shutoffs:** hhhh

**Manufacturer:** Watts  
**Orientation:** VUVD  
**0.25% Pb:** Yes  
**Renewed:** 12-Apr-2021

**Model:** LFU919AQT  
**Meters:**  
**Spare Parts Only:** No  
**Bypass:**

---

**Type:** RP  
**Size:** 1  
**Manual:** 9  
**Approved:** 12-Apr-2006  
**Shutoffs:** (vv),xx,ooo,pppp

**Manufacturer:** Watts  
**Orientation:** H  
**0.25% Pb:** No  
**Renewed:** 12-Apr-2021

**Model:** LFU919QT  
**Meters:**  
**Spare Parts Only:** No  
**Bypass:**

---

**Type:** RP  
**Size:** 1  
**Manual:** 9  
**Approved:** 12-Apr-2006  
**Shutoffs:** hhhh

**Manufacturer:** Watts  
**Orientation:** H  
**0.25% Pb:** Yes  
**Renewed:** 12-Apr-2021

**Model:** LFU919QT  
**Meters:**  
**Spare Parts Only:** No  
**Bypass:**

---

**Type:** RP  
**Size:** 1  
**Manual:** 9  
**Approved:** 30-Aug-2006  
**Shutoffs:** (vv),xx,ooo,pppp

**Manufacturer:** Watts  
**Orientation:** VD  
**0.25% Pb:** No  
**Renewed:** 30-Aug-2021

**Model:** LFU919QT  
**Meters:**  
**Spare Parts Only:** No  
**Bypass:**

---

**Type:** RP  
**Size:** 1  
**Manual:** 9  
**Approved:** 30-Aug-2006  
**Shutoffs:** hhhh

**Manufacturer:** Watts  
**Orientation:** VD  
**0.25% Pb:** Yes  
**Renewed:** 30-Aug-2021

**Model:** LFU919QT  
**Meters:**  
**Spare Parts Only:** No  
**Bypass:**

---

**Type:** RP  
**Size:** 1 1/4  
**Manual:** 9  
**Approved:** 12-Apr-2006  
**Shutoffs:** (vv),xx,ooo,pppp

**Manufacturer:** Watts  
**Orientation:** H  
**0.25% Pb:** No  
**Renewed:** 12-Apr-2021

**Model:** LFU919QT  
**Meters:**  
**Spare Parts Only:** No  
**Bypass:**

---

**Type:** RP  
**Size:** 1 1/4  
**Manual:** 9  
**Approved:** 12-Apr-2006  
**Shutoffs:** hhhh

**Manufacturer:** Watts  
**Orientation:** H  
**0.25% Pb:** Yes  
**Renewed:** 12-Apr-2021

**Model:** LFU919QT  
**Meters:**  
**Spare Parts Only:** No  
**Bypass:**



**Type:** RP  
**Size:** 1 1/4  
**Manual:** 9  
**Approved:** 30-Aug-2006  
**Shutoffs:** (vv),xx,ooo,pppp

**Manufacturer:** Watts  
**Orientation:** VD  
**0.25% Pb:** No  
**Renewed:** 30-Aug-2021

**Model:** LFU919QT  
**Meters:**  
**Spare Parts Only:** No  
**Bypass:**

---

**Type:** RP  
**Size:** 1 1/4  
**Manual:** 9  
**Approved:** 30-Aug-2006  
**Shutoffs:** hhhh

**Manufacturer:** Watts  
**Orientation:** VD  
**0.25% Pb:** Yes  
**Renewed:** 30-Aug-2021

**Model:** LFU919QT  
**Meters:**  
**Spare Parts Only:** No  
**Bypass:**

---

**Type:** RP  
**Size:** 1 1/2  
**Manual:** 9  
**Approved:** 12-Apr-2006  
**Shutoffs:** (vv),xx,ooo,pppp

**Manufacturer:** Watts  
**Orientation:** H  
**0.25% Pb:** No  
**Renewed:** 12-Apr-2021

**Model:** LFU919QT  
**Meters:**  
**Spare Parts Only:** No  
**Bypass:**

---

**Type:** RP  
**Size:** 1 1/2  
**Manual:** 9  
**Approved:** 12-Apr-2006  
**Shutoffs:** hhhh

**Manufacturer:** Watts  
**Orientation:** H  
**0.25% Pb:** Yes  
**Renewed:** 12-Apr-2021

**Model:** LFU919QT  
**Meters:**  
**Spare Parts Only:** No  
**Bypass:**

---

**Type:** RP  
**Size:** 1 1/2  
**Manual:** 9  
**Approved:** 30-Aug-2006  
**Shutoffs:** (vv),xx,ooo,pppp

**Manufacturer:** Watts  
**Orientation:** VD  
**0.25% Pb:** No  
**Renewed:** 30-Aug-2021

**Model:** LFU919QT  
**Meters:**  
**Spare Parts Only:** No  
**Bypass:**

---

**Type:** RP  
**Size:** 1 1/2  
**Manual:** 9  
**Approved:** 30-Aug-2006  
**Shutoffs:** hhhh

**Manufacturer:** Watts  
**Orientation:** VD  
**0.25% Pb:** Yes  
**Renewed:** 30-Aug-2021

**Model:** LFU919QT  
**Meters:**  
**Spare Parts Only:** No  
**Bypass:**

---

**Type:** RP  
**Size:** 2  
**Manual:** 9  
**Approved:** 12-Apr-2006  
**Shutoffs:** (vv),xx,ooo,pppp

**Manufacturer:** Watts  
**Orientation:** H  
**0.25% Pb:** No  
**Renewed:** 12-Apr-2021

**Model:** LFU919QT  
**Meters:**  
**Spare Parts Only:** No  
**Bypass:**

<b>Type:</b> RP	<b>Manufacturer:</b> Watts	<b>Model:</b> LFU919QT
<b>Size:</b> 2	<b>Orientation:</b> H	<b>Meters:</b>
<b>Manual:</b> 9	<b>0.25% Pb:</b> Yes	<b>Spare Parts Only:</b> No
<b>Approved:</b> 12-Apr-2006	<b>Renewed:</b> 12-Apr-2021	<b>Bypass:</b>
<b>Shutoffs:</b> hhhh		

---

<b>Type:</b> RP	<b>Manufacturer:</b> Watts	<b>Model:</b> LFU919QT
<b>Size:</b> 2	<b>Orientation:</b> VD	<b>Meters:</b>
<b>Manual:</b> 9	<b>0.25% Pb:</b> No	<b>Spare Parts Only:</b> No
<b>Approved:</b> 30-Aug-2006	<b>Renewed:</b> 30-Aug-2021	<b>Bypass:</b>
<b>Shutoffs:</b> (vv),xx,ooo,pppp		

---

<b>Type:</b> RP	<b>Manufacturer:</b> Watts	<b>Model:</b> LFU919QT
<b>Size:</b> 2	<b>Orientation:</b> VD	<b>Meters:</b>
<b>Manual:</b> 9	<b>0.25% Pb:</b> Yes	<b>Spare Parts Only:</b> No
<b>Approved:</b> 30-Aug-2006	<b>Renewed:</b> 30-Aug-2021	<b>Bypass:</b>
<b>Shutoffs:</b> hhhh		

---

<b>Type:</b> RP	<b>Manufacturer:</b> Watts	<b>Model:</b> Magnum 40
<b>Size:</b> 2 1/2	<b>Orientation:</b> H	<b>Meters:</b>
<b>Manual:</b> 10	<b>0.25% Pb:</b> Yes	<b>Spare Parts Only:</b> No
<b>Approved:</b> 15-May-2020	<b>Renewed:</b>	<b>Bypass:</b>
<b>Shutoffs:</b> (int)		

---

<b>Type:</b> RP	<b>Manufacturer:</b> Watts	<b>Model:</b> Magnum 40
<b>Size:</b> 3	<b>Orientation:</b> H	<b>Meters:</b>
<b>Manual:</b> 10	<b>0.25% Pb:</b> Yes	<b>Spare Parts Only:</b> No
<b>Approved:</b> 15-May-2020	<b>Renewed:</b>	<b>Bypass:</b>
<b>Shutoffs:</b> (int)		

---

<b>Type:</b> RP	<b>Manufacturer:</b> Watts	<b>Model:</b> Magnum 40
<b>Size:</b> 4	<b>Orientation:</b> H	<b>Meters:</b>
<b>Manual:</b> 10	<b>0.25% Pb:</b> Yes	<b>Spare Parts Only:</b> No
<b>Approved:</b> 15-May-2020	<b>Renewed:</b>	<b>Bypass:</b>
<b>Shutoffs:</b> (int)		

---

<b>Type:</b> RP	<b>Manufacturer:</b> Watts	<b>Model:</b> Magnum 40
<b>Size:</b> 8	<b>Orientation:</b> H	<b>Meters:</b>
<b>Manual:</b> 10	<b>0.25% Pb:</b> Yes	<b>Spare Parts Only:</b> No
<b>Approved:</b> 15-May-2020	<b>Renewed:</b>	<b>Bypass:</b>
<b>Shutoffs:</b> (int)		

**Type:** RP  
**Size:** 2 1/2  
**Manual:** 10  
**Approved:** 15-May-2020  
**Shutoffs:** (qqqqqq), rrrrrr

**Manufacturer:** Watts  
**Orientation:** H  
**0.25% Pb:** Yes  
**Renewed:**

**Model:** Magnum 40G  
**Meters:**  
**Spare Parts Only:** No  
**Bypass:**

---

**Type:** RP  
**Size:** 3  
**Manual:** 10  
**Approved:** 15-May-2020  
**Shutoffs:** (qqqqqq), rrrrrr

**Manufacturer:** Watts  
**Orientation:** H  
**0.25% Pb:** Yes  
**Renewed:**

**Model:** Magnum 40G  
**Meters:**  
**Spare Parts Only:** No  
**Bypass:**

---

**Type:** RP  
**Size:** 4  
**Manual:** 10  
**Approved:** 15-May-2020  
**Shutoffs:** (qqqqqq), rrrrrr

**Manufacturer:** Watts  
**Orientation:** H  
**0.25% Pb:** Yes  
**Renewed:**

**Model:** Magnum 40G  
**Meters:**  
**Spare Parts Only:** No  
**Bypass:**

---

**Type:** RP  
**Size:** 8  
**Manual:** 10  
**Approved:** 15-May-2020  
**Shutoffs:** (qqqqqq), rrrrrr

**Manufacturer:** Watts  
**Orientation:** H  
**0.25% Pb:** Yes  
**Renewed:**

**Model:** Magnum 40G  
**Meters:**  
**Spare Parts Only:** No  
**Bypass:**

---

**Type:** RP  
**Size:** 6  
**Manual:** 10  
**Approved:** 15-May-2020  
**Shutoffs:** (qqqqqq), rrrrrr

**Manufacturer:** Watts  
**Orientation:** H  
**0.25% Pb:** Yes  
**Renewed:**

**Model:** Magnum 40GX  
**Meters:**  
**Spare Parts Only:** No  
**Bypass:**

---

**Type:** RP  
**Size:** 6  
**Manual:** 10  
**Approved:** 15-May-2020  
**Shutoffs:** (int)

**Manufacturer:** Watts  
**Orientation:** H  
**0.25% Pb:** Yes  
**Renewed:**

**Model:** Magnum 40X  
**Meters:**  
**Spare Parts Only:** No  
**Bypass:**

---

**Type:** RP  
**Size:** 1/4  
**Manual:** 9  
**Approved:** 19-Dec-2001  
**Shutoffs:** (hhh)

**Manufacturer:** Watts  
**Orientation:** H  
**0.25% Pb:** Yes  
**Renewed:** 19-Dec-2019

**Model:** SS009M3QT  
**Meters:**  
**Spare Parts Only:** No  
**Bypass:**

---

<b>Type:</b> RP	<b>Manufacturer:</b> Watts	<b>Model:</b> SS009M3QT
<b>Size:</b> 3/8	<b>Orientation:</b> H	<b>Meters:</b>
<b>Manual:</b> 9	<b>0.25% Pb:</b> Yes	<b>Spare Parts Only:</b> No
<b>Approved:</b> 19-Dec-2001	<b>Renewed:</b> 19-Dec-2019	<b>Bypass:</b>
<b>Shutoffs:</b> (hhh)		

---

<b>Type:</b> RP	<b>Manufacturer:</b> Watts	<b>Model:</b> SS009M3QT
<b>Size:</b> 1/2	<b>Orientation:</b> H	<b>Meters:</b>
<b>Manual:</b> 9	<b>0.25% Pb:</b> Yes	<b>Spare Parts Only:</b> No
<b>Approved:</b> 19-Dec-2001	<b>Renewed:</b> 19-Dec-2019	<b>Bypass:</b>
<b>Shutoffs:</b> (hhh)		

---

<b>Type:</b> RP	<b>Manufacturer:</b> Watts	<b>Model:</b> SS009M3QT
<b>Size:</b> 3/4	<b>Orientation:</b> H	<b>Meters:</b>
<b>Manual:</b> 9	<b>0.25% Pb:</b> Yes	<b>Spare Parts Only:</b> No
<b>Approved:</b> 31-Jul-2001	<b>Renewed:</b> 31-Jul-2022	<b>Bypass:</b>
<b>Shutoffs:</b> (hhh)		

---

<b>Type:</b> RP	<b>Manufacturer:</b> Watts	<b>Model:</b> SS009QT
<b>Size:</b> 1	<b>Orientation:</b> H	<b>Meters:</b>
<b>Manual:</b> 9	<b>0.25% Pb:</b> No	<b>Spare Parts Only:</b> No
<b>Approved:</b> 18-May-1998	<b>Renewed:</b> 18-May-2022	<b>Bypass:</b>
<b>Shutoffs:</b> (hhh)		

---

<b>Type:</b> RP	<b>Manufacturer:</b> Watts	<b>Model:</b> U009APCQT
<b>Size:</b> 3/4	<b>Orientation:</b> VDVD	<b>Meters:</b>
<b>Manual:</b> 8	<b>0.25% Pb:</b> No	<b>Spare Parts Only:</b> No
<b>Approved:</b> 10-Dec-1993	<b>Renewed:</b> 10-Dec-2020	<b>Bypass:</b>
<b>Shutoffs:</b> (vv),xx,ooo,hhhh,pppp		

---

<b>Type:</b> RP	<b>Manufacturer:</b> Watts	<b>Model:</b> U009APCQT
<b>Size:</b> 3/4	<b>Orientation:</b> VDVU	<b>Meters:</b>
<b>Manual:</b> 8	<b>0.25% Pb:</b> No	<b>Spare Parts Only:</b> No
<b>Approved:</b> 10-Dec-1993	<b>Renewed:</b> 10-Dec-2020	<b>Bypass:</b>
<b>Shutoffs:</b> (vv),xx,ooo,hhhh,pppp		

---

<b>Type:</b> RP	<b>Manufacturer:</b> Watts	<b>Model:</b> U009APCQT
<b>Size:</b> 3/4	<b>Orientation:</b> VUVD	<b>Meters:</b>
<b>Manual:</b> 8	<b>0.25% Pb:</b> No	<b>Spare Parts Only:</b> No
<b>Approved:</b> 10-Dec-1993	<b>Renewed:</b> 10-Dec-2020	<b>Bypass:</b>
<b>Shutoffs:</b> (vv),xx,ooo,hhhh,pppp		

---

**Type:** RP                                    **Manufacturer:** Watts                                    **Model:** U009APCQT  
**Size:** 3/4                                    **Orientation:** VUVU                                    **Meters:**  
**Manual:** 8                                    **0.25% Pb:** No                                    **Spare Parts Only:** No  
**Approved:** 10-Dec-1993                                    **Renewed:** 10-Dec-2020                                    **Bypass:**  
**Shutoffs:** (vv),xx,ooo,hhhh,pppp

---

**Type:** RP                                    **Manufacturer:** Watts                                    **Model:** U009APCQT  
**Size:** 1                                    **Orientation:** VDVD                                    **Meters:**  
**Manual:** 8                                    **0.25% Pb:** No                                    **Spare Parts Only:** Yes  
**Approved:** 10-Dec-1993                                    **Renewed:** 10-Dec-2020                                    **Bypass:**  
**Shutoffs:** vv,xx,ooo,hhhh,pppp

---

**Type:** RP                                    **Manufacturer:** Watts                                    **Model:** U009APCQT  
**Size:** 1                                    **Orientation:** VDVU                                    **Meters:**  
**Manual:** 8                                    **0.25% Pb:** No                                    **Spare Parts Only:** Yes  
**Approved:** 10-Dec-1993                                    **Renewed:** 10-Dec-2020                                    **Bypass:**  
**Shutoffs:** vv,xx,ooo,hhhh,pppp

---

**Type:** RP                                    **Manufacturer:** Watts                                    **Model:** U009APCQT  
**Size:** 1                                    **Orientation:** VUVD                                    **Meters:**  
**Manual:** 8                                    **0.25% Pb:** No                                    **Spare Parts Only:** Yes  
**Approved:** 10-Dec-1993                                    **Renewed:** 10-Dec-2020                                    **Bypass:**  
**Shutoffs:** vv,xx,ooo,hhhh,pppp

---

**Type:** RP                                    **Manufacturer:** Watts                                    **Model:** U009APCQT  
**Size:** 1                                    **Orientation:** VUVU                                    **Meters:**  
**Manual:** 8                                    **0.25% Pb:** No                                    **Spare Parts Only:** Yes  
**Approved:** 10-Dec-1993                                    **Renewed:** 10-Dec-2020                                    **Bypass:**  
**Shutoffs:** vv,xx,ooo,hhhh,pppp

---

**Type:** RP                                    **Manufacturer:** Watts                                    **Model:** U009AQT  
**Size:** 3/4                                    **Orientation:** VDVD                                    **Meters:**  
**Manual:** 8                                    **0.25% Pb:** No                                    **Spare Parts Only:** No  
**Approved:** 12-Jun-1992                                    **Renewed:** 12-Jun-2022                                    **Bypass:**  
**Shutoffs:** (vv),xx,ooo,hhhh,pppp

---

**Type:** RP                                    **Manufacturer:** Watts                                    **Model:** U009AQT  
**Size:** 3/4                                    **Orientation:** VDVU                                    **Meters:**  
**Manual:** 8                                    **0.25% Pb:** No                                    **Spare Parts Only:** No  
**Approved:** 12-Jun-1992                                    **Renewed:** 12-Jun-2022                                    **Bypass:**  
**Shutoffs:** (vv),xx,ooo,hhhh,pppp

<b>Type:</b> RP	<b>Manufacturer:</b> Watts	<b>Model:</b> U009AQT
<b>Size:</b> 3/4	<b>Orientation:</b> VUVD	<b>Meters:</b>
<b>Manual:</b> 8	<b>0.25% Pb:</b> No	<b>Spare Parts Only:</b> No
<b>Approved:</b> 12-Jun-1992	<b>Renewed:</b> 12-Jun-2022	<b>Bypass:</b>
<b>Shutoffs:</b> (vv),xx,ooo,hhhh,pppp		

---

<b>Type:</b> RP	<b>Manufacturer:</b> Watts	<b>Model:</b> U009AQT
<b>Size:</b> 3/4	<b>Orientation:</b> VUVU	<b>Meters:</b>
<b>Manual:</b> 8	<b>0.25% Pb:</b> No	<b>Spare Parts Only:</b> No
<b>Approved:</b> 12-Jun-1992	<b>Renewed:</b> 12-Jun-2022	<b>Bypass:</b>
<b>Shutoffs:</b> (vv),xx,ooo,hhhh,pppp		

---

<b>Type:</b> RP	<b>Manufacturer:</b> Watts	<b>Model:</b> U009AQT
<b>Size:</b> 1	<b>Orientation:</b> VDVD	<b>Meters:</b>
<b>Manual:</b> 8	<b>0.25% Pb:</b> No	<b>Spare Parts Only:</b> Yes
<b>Approved:</b> 12-Jun-1992	<b>Renewed:</b> 12-Jun-2022	<b>Bypass:</b>
<b>Shutoffs:</b> vv,xx,ooo,hhhh,pppp		

---

<b>Type:</b> RP	<b>Manufacturer:</b> Watts	<b>Model:</b> U009AQT
<b>Size:</b> 1	<b>Orientation:</b> VDVU	<b>Meters:</b>
<b>Manual:</b> 8	<b>0.25% Pb:</b> No	<b>Spare Parts Only:</b> Yes
<b>Approved:</b> 12-Jun-1992	<b>Renewed:</b> 12-Jun-2022	<b>Bypass:</b>
<b>Shutoffs:</b> vv,xx,ooo,hhhh,pppp		

---

<b>Type:</b> RP	<b>Manufacturer:</b> Watts	<b>Model:</b> U009AQT
<b>Size:</b> 1	<b>Orientation:</b> VUVD	<b>Meters:</b>
<b>Manual:</b> 8	<b>0.25% Pb:</b> No	<b>Spare Parts Only:</b> Yes
<b>Approved:</b> 12-Jun-1992	<b>Renewed:</b> 12-Jun-2022	<b>Bypass:</b>
<b>Shutoffs:</b> vv,xx,ooo,hhhh,pppp		

---

<b>Type:</b> RP	<b>Manufacturer:</b> Watts	<b>Model:</b> U009AQT
<b>Size:</b> 1	<b>Orientation:</b> VUVU	<b>Meters:</b>
<b>Manual:</b> 8	<b>0.25% Pb:</b> No	<b>Spare Parts Only:</b> Yes
<b>Approved:</b> 12-Jun-1992	<b>Renewed:</b> 12-Jun-2022	<b>Bypass:</b>
<b>Shutoffs:</b> vv,xx,ooo,hhhh,pppp		

---

<b>Type:</b> RP	<b>Manufacturer:</b> Watts	<b>Model:</b> U009M1APCQT
<b>Size:</b> 1 1/2	<b>Orientation:</b> VDVD	<b>Meters:</b>
<b>Manual:</b> 8	<b>0.25% Pb:</b> No	<b>Spare Parts Only:</b> Yes
<b>Approved:</b> 27-Sep-1994	<b>Renewed:</b> 27-Sep-2021	<b>Bypass:</b>
<b>Shutoffs:</b> vv,xx,ooo,hhhh,pppp		

**Type:** RP  
**Size:** 1 1/2  
**Manual:** 8  
**Approved:** 27-Sep-1994  
**Shutoffs:** vv,xx,ooo,hhhh,pppp

**Manufacturer:** Watts  
**Orientation:** VDVU  
**0.25% Pb:** No  
**Renewed:** 27-Sep-2021

**Model:** U009M1APCQT  
**Meters:**  
**Spare Parts Only:** Yes  
**Bypass:**

---

**Type:** RP  
**Size:** 1 1/2  
**Manual:** 8  
**Approved:** 27-Sep-1994  
**Shutoffs:** vv,xx,ooo,hhhh,pppp

**Manufacturer:** Watts  
**Orientation:** VUVD  
**0.25% Pb:** No  
**Renewed:** 27-Sep-2021

**Model:** U009M1APCQT  
**Meters:**  
**Spare Parts Only:** Yes  
**Bypass:**

---

**Type:** RP  
**Size:** 1 1/2  
**Manual:** 8  
**Approved:** 27-Sep-1994  
**Shutoffs:** vv,xx,ooo,hhhh,pppp

**Manufacturer:** Watts  
**Orientation:** VUVU  
**0.25% Pb:** No  
**Renewed:** 27-Sep-2021

**Model:** U009M1APCQT  
**Meters:**  
**Spare Parts Only:** Yes  
**Bypass:**

---

**Type:** RP  
**Size:** 2  
**Manual:** 8  
**Approved:** 27-Sep-1994  
**Shutoffs:** vv,xx,ooo,hhhh,pppp

**Manufacturer:** Watts  
**Orientation:** VDVD  
**0.25% Pb:** No  
**Renewed:** 27-Sep-2021

**Model:** U009M1APCQT  
**Meters:**  
**Spare Parts Only:** Yes  
**Bypass:**

---

**Type:** RP  
**Size:** 2  
**Manual:** 8  
**Approved:** 27-Sep-1994  
**Shutoffs:** vv,xx,ooo,hhhh,pppp

**Manufacturer:** Watts  
**Orientation:** VDVU  
**0.25% Pb:** No  
**Renewed:** 27-Sep-2021

**Model:** U009M1APCQT  
**Meters:**  
**Spare Parts Only:** Yes  
**Bypass:**

---

**Type:** RP  
**Size:** 2  
**Manual:** 8  
**Approved:** 27-Sep-1994  
**Shutoffs:** vv,xx,ooo,hhhh,pppp

**Manufacturer:** Watts  
**Orientation:** VUVD  
**0.25% Pb:** No  
**Renewed:** 27-Sep-2021

**Model:** U009M1APCQT  
**Meters:**  
**Spare Parts Only:** Yes  
**Bypass:**

---

**Type:** RP  
**Size:** 2  
**Manual:** 8  
**Approved:** 27-Sep-1994  
**Shutoffs:** vv,xx,ooo,hhhh,pppp

**Manufacturer:** Watts  
**Orientation:** VUVU  
**0.25% Pb:** No  
**Renewed:** 27-Sep-2021

**Model:** U009M1APCQT  
**Meters:**  
**Spare Parts Only:** Yes  
**Bypass:**

**Type:** RP  
**Size:** 1 1/2  
**Manual:** 8  
**Approved:** 16-Dec-1992  
**Shutoffs:** vv,xx,ooo,hhhh,pppp

**Manufacturer:** Watts  
**Orientation:** VDVD  
**0.25% Pb:** No  
**Renewed:** 16-Dec-2019

**Model:** U009M1AQT  
**Meters:**  
**Spare Parts Only:** Yes  
**Bypass:**

---

**Type:** RP  
**Size:** 1 1/2  
**Manual:** 8  
**Approved:** 16-Dec-1992  
**Shutoffs:** vv,xx,ooo,hhhh,pppp

**Manufacturer:** Watts  
**Orientation:** VDVU  
**0.25% Pb:** No  
**Renewed:** 16-Dec-2019

**Model:** U009M1AQT  
**Meters:**  
**Spare Parts Only:** Yes  
**Bypass:**

---

**Type:** RP  
**Size:** 1 1/2  
**Manual:** 8  
**Approved:** 16-Dec-1992  
**Shutoffs:** vv,xx,ooo,hhhh,pppp

**Manufacturer:** Watts  
**Orientation:** VUVD  
**0.25% Pb:** No  
**Renewed:** 16-Dec-2019

**Model:** U009M1AQT  
**Meters:**  
**Spare Parts Only:** Yes  
**Bypass:**

---

**Type:** RP  
**Size:** 1 1/2  
**Manual:** 8  
**Approved:** 16-Dec-1992  
**Shutoffs:** vv,xx,ooo,hhhh,pppp

**Manufacturer:** Watts  
**Orientation:** VUVU  
**0.25% Pb:** No  
**Renewed:** 16-Dec-2019

**Model:** U009M1AQT  
**Meters:**  
**Spare Parts Only:** Yes  
**Bypass:**

---

**Type:** RP  
**Size:** 2  
**Manual:** 8  
**Approved:** 09-Nov-1992  
**Shutoffs:** vv,xx,ooo,hhhh,pppp

**Manufacturer:** Watts  
**Orientation:** VDVD  
**0.25% Pb:** No  
**Renewed:** 09-Nov-2019

**Model:** U009M1AQT  
**Meters:**  
**Spare Parts Only:** Yes  
**Bypass:**

---

**Type:** RP  
**Size:** 2  
**Manual:** 8  
**Approved:** 09-Nov-1992  
**Shutoffs:** vv,xx,ooo,hhhh,pppp

**Manufacturer:** Watts  
**Orientation:** VDVU  
**0.25% Pb:** No  
**Renewed:** 09-Nov-2019

**Model:** U009M1AQT  
**Meters:**  
**Spare Parts Only:** Yes  
**Bypass:**

---

**Type:** RP  
**Size:** 2  
**Manual:** 8  
**Approved:** 09-Nov-1992  
**Shutoffs:** vv,xx,ooo,hhhh,pppp

**Manufacturer:** Watts  
**Orientation:** VUVD  
**0.25% Pb:** No  
**Renewed:** 09-Nov-2019

**Model:** U009M1AQT  
**Meters:**  
**Spare Parts Only:** Yes  
**Bypass:**



<b>Type:</b> RP	<b>Manufacturer:</b> Watts	<b>Model:</b> U009M1AQT
<b>Size:</b> 2	<b>Orientation:</b> VUVU	<b>Meters:</b>
<b>Manual:</b> 8	<b>0.25% Pb:</b> No	<b>Spare Parts Only:</b> Yes
<b>Approved:</b> 09-Nov-1992	<b>Renewed:</b> 09-Nov-2019	<b>Bypass:</b>
<b>Shutoffs:</b> vv,xx,ooo,hhhh,pppp		

---

<b>Type:</b> RP	<b>Manufacturer:</b> Watts	<b>Model:</b> U009M1PCQT
<b>Size:</b> 1 1/4	<b>Orientation:</b> H	<b>Meters:</b>
<b>Manual:</b> 8	<b>0.25% Pb:</b> No	<b>Spare Parts Only:</b> No
<b>Approved:</b> 27-Sep-1994	<b>Renewed:</b> 27-Sep-2021	<b>Bypass:</b>
<b>Shutoffs:</b> (vv),xx,ooo,hhhh,pppp		

---

<b>Type:</b> RP	<b>Manufacturer:</b> Watts	<b>Model:</b> U009M1PCQT
<b>Size:</b> 1 1/2	<b>Orientation:</b> H	<b>Meters:</b>
<b>Manual:</b> 8	<b>0.25% Pb:</b> No	<b>Spare Parts Only:</b> No
<b>Approved:</b> 27-Sep-1994	<b>Renewed:</b> 27-Sep-2021	<b>Bypass:</b>
<b>Shutoffs:</b> (vv),xx,ooo,hhhh,pppp		

---

<b>Type:</b> RP	<b>Manufacturer:</b> Watts	<b>Model:</b> U009M1PCQT
<b>Size:</b> 2	<b>Orientation:</b> H	<b>Meters:</b>
<b>Manual:</b> 8	<b>0.25% Pb:</b> No	<b>Spare Parts Only:</b> No
<b>Approved:</b> 27-Sep-1994	<b>Renewed:</b> 27-Sep-2021	<b>Bypass:</b>
<b>Shutoffs:</b> (vv),xx,ooo,hhhh,pppp		

---

<b>Type:</b> RP	<b>Manufacturer:</b> Watts	<b>Model:</b> U009M1QT
<b>Size:</b> 1 1/4	<b>Orientation:</b> H	<b>Meters:</b>
<b>Manual:</b> 8	<b>0.25% Pb:</b> No	<b>Spare Parts Only:</b> No
<b>Approved:</b> 30-Jun-1992	<b>Renewed:</b> 30-Jun-2022	<b>Bypass:</b>
<b>Shutoffs:</b> (vv),xx,ooo,hhhh,pppp		

---

<b>Type:</b> RP	<b>Manufacturer:</b> Watts	<b>Model:</b> U009M1QT
<b>Size:</b> 1 1/2	<b>Orientation:</b> H	<b>Meters:</b>
<b>Manual:</b> 8	<b>0.25% Pb:</b> No	<b>Spare Parts Only:</b> Yes
<b>Approved:</b> 30-Jun-1992	<b>Renewed:</b> 30-Jun-2022	<b>Bypass:</b>
<b>Shutoffs:</b> vv,xx,ooo,hhhh,pppp		

---

<b>Type:</b> RP	<b>Manufacturer:</b> Watts	<b>Model:</b> U009M1QT
<b>Size:</b> 2	<b>Orientation:</b> H	<b>Meters:</b>
<b>Manual:</b> 8	<b>0.25% Pb:</b> No	<b>Spare Parts Only:</b> Yes
<b>Approved:</b> 30-Jun-1992	<b>Renewed:</b> 30-Jun-2022	<b>Bypass:</b>
<b>Shutoffs:</b> vv,xx,ooo,hhhh,pppp		

<b>Type:</b> RP	<b>Manufacturer:</b> Watts	<b>Model:</b> U009M2APCQT
<b>Size:</b> 1	<b>Orientation:</b> VDVD	<b>Meters:</b>
<b>Manual:</b> 9	<b>0.25% Pb:</b> No	<b>Spare Parts Only:</b> No
<b>Approved:</b> 15-Jan-1999	<b>Renewed:</b> 15-Jan-2020	<b>Bypass:</b>
<b>Shutoffs:</b> (vv),xx,ooo,hhhh,pppp		

---

<b>Type:</b> RP	<b>Manufacturer:</b> Watts	<b>Model:</b> U009M2APCQT
<b>Size:</b> 1	<b>Orientation:</b> VDVU	<b>Meters:</b>
<b>Manual:</b> 9	<b>0.25% Pb:</b> No	<b>Spare Parts Only:</b> No
<b>Approved:</b> 15-Jan-1999	<b>Renewed:</b> 15-Jan-2020	<b>Bypass:</b>
<b>Shutoffs:</b> (vv),xx,ooo,hhhh,pppp		

---

<b>Type:</b> RP	<b>Manufacturer:</b> Watts	<b>Model:</b> U009M2APCQT
<b>Size:</b> 1	<b>Orientation:</b> VUVD	<b>Meters:</b>
<b>Manual:</b> 9	<b>0.25% Pb:</b> No	<b>Spare Parts Only:</b> No
<b>Approved:</b> 15-Jan-1999	<b>Renewed:</b> 15-Jan-2020	<b>Bypass:</b>
<b>Shutoffs:</b> (vv),xx,ooo,hhhh,pppp		

---

<b>Type:</b> RP	<b>Manufacturer:</b> Watts	<b>Model:</b> U009M2APCQT
<b>Size:</b> 1	<b>Orientation:</b> VUVU	<b>Meters:</b>
<b>Manual:</b> 9	<b>0.25% Pb:</b> No	<b>Spare Parts Only:</b> No
<b>Approved:</b> 15-Jan-1999	<b>Renewed:</b> 15-Jan-2020	<b>Bypass:</b>
<b>Shutoffs:</b> (vv),xx,ooo,hhhh,pppp		

---

<b>Type:</b> RP	<b>Manufacturer:</b> Watts	<b>Model:</b> U009M2APCQT
<b>Size:</b> 1 1/2	<b>Orientation:</b> VDVD	<b>Meters:</b>
<b>Manual:</b> 8	<b>0.25% Pb:</b> No	<b>Spare Parts Only:</b> No
<b>Approved:</b> 12-Sep-1994	<b>Renewed:</b> 12-Sep-2021	<b>Bypass:</b>
<b>Shutoffs:</b> (vv),xx,ooo,hhhh,pppp		

---

<b>Type:</b> RP	<b>Manufacturer:</b> Watts	<b>Model:</b> U009M2APCQT
<b>Size:</b> 1 1/2	<b>Orientation:</b> VDVU	<b>Meters:</b>
<b>Manual:</b> 8	<b>0.25% Pb:</b> No	<b>Spare Parts Only:</b> No
<b>Approved:</b> 12-Sep-1994	<b>Renewed:</b> 12-Sep-2021	<b>Bypass:</b>
<b>Shutoffs:</b> (vv),xx,ooo,hhhh,pppp		

---

<b>Type:</b> RP	<b>Manufacturer:</b> Watts	<b>Model:</b> U009M2APCQT
<b>Size:</b> 1 1/2	<b>Orientation:</b> VUVD	<b>Meters:</b>
<b>Manual:</b> 8	<b>0.25% Pb:</b> No	<b>Spare Parts Only:</b> No
<b>Approved:</b> 12-Sep-1994	<b>Renewed:</b> 12-Sep-2021	<b>Bypass:</b>
<b>Shutoffs:</b> (vv),xx,ooo,hhhh,pppp		

<b>Type:</b> RP	<b>Manufacturer:</b> Watts	<b>Model:</b> U009M2APCQT
<b>Size:</b> 1 1/2	<b>Orientation:</b> VUVU	<b>Meters:</b>
<b>Manual:</b> 8	<b>0.25% Pb:</b> No	<b>Spare Parts Only:</b> No
<b>Approved:</b> 12-Sep-1994	<b>Renewed:</b> 12-Sep-2021	<b>Bypass:</b>
<b>Shutoffs:</b> (vv),xx,ooo,hhhh,pppp		

---

<b>Type:</b> RP	<b>Manufacturer:</b> Watts	<b>Model:</b> U009M2APCQT
<b>Size:</b> 2	<b>Orientation:</b> VDVD	<b>Meters:</b>
<b>Manual:</b> 9	<b>0.25% Pb:</b> No	<b>Spare Parts Only:</b> No
<b>Approved:</b> 26-Aug-1997	<b>Renewed:</b> 26-Aug-2021	<b>Bypass:</b>
<b>Shutoffs:</b> (vv),xx,ooo,hhhh,pppp		

---

<b>Type:</b> RP	<b>Manufacturer:</b> Watts	<b>Model:</b> U009M2APCQT
<b>Size:</b> 2	<b>Orientation:</b> VDVU	<b>Meters:</b>
<b>Manual:</b> 9	<b>0.25% Pb:</b> No	<b>Spare Parts Only:</b> No
<b>Approved:</b> 26-Aug-1997	<b>Renewed:</b> 26-Aug-2021	<b>Bypass:</b>
<b>Shutoffs:</b> (vv),xx,ooo,hhhh,pppp		

---

<b>Type:</b> RP	<b>Manufacturer:</b> Watts	<b>Model:</b> U009M2APCQT
<b>Size:</b> 2	<b>Orientation:</b> VUVD	<b>Meters:</b>
<b>Manual:</b> 9	<b>0.25% Pb:</b> No	<b>Spare Parts Only:</b> No
<b>Approved:</b> 26-Aug-1997	<b>Renewed:</b> 26-Aug-2021	<b>Bypass:</b>
<b>Shutoffs:</b> (vv),xx,ooo,hhhh,pppp		

---

<b>Type:</b> RP	<b>Manufacturer:</b> Watts	<b>Model:</b> U009M2APCQT
<b>Size:</b> 2	<b>Orientation:</b> VUVU	<b>Meters:</b>
<b>Manual:</b> 9	<b>0.25% Pb:</b> No	<b>Spare Parts Only:</b> No
<b>Approved:</b> 26-Aug-1997	<b>Renewed:</b> 26-Aug-2021	<b>Bypass:</b>
<b>Shutoffs:</b> (vv),xx,ooo,hhhh,pppp		

---

<b>Type:</b> RP	<b>Manufacturer:</b> Watts	<b>Model:</b> U009M2AQT
<b>Size:</b> 1	<b>Orientation:</b> VDVD	<b>Meters:</b>
<b>Manual:</b> 9	<b>0.25% Pb:</b> No	<b>Spare Parts Only:</b> No
<b>Approved:</b> 15-Jan-1999	<b>Renewed:</b> 15-Jan-2020	<b>Bypass:</b>
<b>Shutoffs:</b> (vv),xx,ooo,hhhh,pppp		

---

<b>Type:</b> RP	<b>Manufacturer:</b> Watts	<b>Model:</b> U009M2AQT
<b>Size:</b> 1	<b>Orientation:</b> VDVU	<b>Meters:</b>
<b>Manual:</b> 9	<b>0.25% Pb:</b> No	<b>Spare Parts Only:</b> No
<b>Approved:</b> 15-Jan-1999	<b>Renewed:</b> 15-Jan-2020	<b>Bypass:</b>
<b>Shutoffs:</b> (vv),xx,ooo,hhhh,pppp		

**Type:** RP  
**Size:** 1  
**Manual:** 9  
**Approved:** 15-Jan-1999  
**Shutoffs:** (vv),xx,ooo,hhhh,pppp

**Manufacturer:** Watts  
**Orientation:** VUVD  
**0.25% Pb:** No  
**Renewed:** 15-Jan-2020

**Model:** U009M2AQT  
**Meters:**  
**Spare Parts Only:** No  
**Bypass:**

---

**Type:** RP  
**Size:** 1  
**Manual:** 9  
**Approved:** 15-Jan-1999  
**Shutoffs:** (vv),xx,ooo,hhhh,pppp

**Manufacturer:** Watts  
**Orientation:** VUVU  
**0.25% Pb:** No  
**Renewed:** 15-Jan-2020

**Model:** U009M2AQT  
**Meters:**  
**Spare Parts Only:** No  
**Bypass:**

---

**Type:** RP  
**Size:** 1 1/2  
**Manual:** 8  
**Approved:** 24-Aug-1993  
**Shutoffs:** (vv),xx,ooo,hhhh,pppp

**Manufacturer:** Watts  
**Orientation:** VDVD  
**0.25% Pb:** No  
**Renewed:** 24-Aug-2020

**Model:** U009M2AQT  
**Meters:**  
**Spare Parts Only:** No  
**Bypass:**

---

**Type:** RP  
**Size:** 1 1/2  
**Manual:** 8  
**Approved:** 24-Aug-1993  
**Shutoffs:** (vv),xx,ooo,hhhh,pppp

**Manufacturer:** Watts  
**Orientation:** VDVU  
**0.25% Pb:** No  
**Renewed:** 24-Aug-2020

**Model:** U009M2AQT  
**Meters:**  
**Spare Parts Only:** No  
**Bypass:**

---

**Type:** RP  
**Size:** 1 1/2  
**Manual:** 8  
**Approved:** 24-Aug-1993  
**Shutoffs:** (vv),xx,ooo,hhhh,pppp

**Manufacturer:** Watts  
**Orientation:** VUVD  
**0.25% Pb:** No  
**Renewed:** 24-Aug-2020

**Model:** U009M2AQT  
**Meters:**  
**Spare Parts Only:** No  
**Bypass:**

---

**Type:** RP  
**Size:** 1 1/2  
**Manual:** 8  
**Approved:** 24-Aug-1993  
**Shutoffs:** (vv),xx,ooo,hhhh,pppp

**Manufacturer:** Watts  
**Orientation:** VUVU  
**0.25% Pb:** No  
**Renewed:** 24-Aug-2020

**Model:** U009M2AQT  
**Meters:**  
**Spare Parts Only:** No  
**Bypass:**

---

**Type:** RP  
**Size:** 2  
**Manual:** 9  
**Approved:** 26-Aug-1997  
**Shutoffs:** (vv),xx,ooo,hhhh,pppp

**Manufacturer:** Watts  
**Orientation:** VDVD  
**0.25% Pb:** No  
**Renewed:** 26-Aug-2021

**Model:** U009M2AQT  
**Meters:**  
**Spare Parts Only:** No  
**Bypass:**

<b>Type:</b> RP	<b>Manufacturer:</b> Watts	<b>Model:</b> U009M2AQT
<b>Size:</b> 2	<b>Orientation:</b> VDVU	<b>Meters:</b>
<b>Manual:</b> 9	<b>0.25% Pb:</b> No	<b>Spare Parts Only:</b> No
<b>Approved:</b> 26-Aug-1997	<b>Renewed:</b> 26-Aug-2021	<b>Bypass:</b>
<b>Shutoffs:</b> (vv),xx,ooo,hhhh,pppp		

---

<b>Type:</b> RP	<b>Manufacturer:</b> Watts	<b>Model:</b> U009M2AQT
<b>Size:</b> 2	<b>Orientation:</b> VUVD	<b>Meters:</b>
<b>Manual:</b> 9	<b>0.25% Pb:</b> No	<b>Spare Parts Only:</b> No
<b>Approved:</b> 26-Aug-1997	<b>Renewed:</b> 26-Aug-2021	<b>Bypass:</b>
<b>Shutoffs:</b> (vv),xx,ooo,hhhh,pppp		

---

<b>Type:</b> RP	<b>Manufacturer:</b> Watts	<b>Model:</b> U009M2AQT
<b>Size:</b> 2	<b>Orientation:</b> VUVU	<b>Meters:</b>
<b>Manual:</b> 9	<b>0.25% Pb:</b> No	<b>Spare Parts Only:</b> No
<b>Approved:</b> 26-Aug-1997	<b>Renewed:</b> 26-Aug-2021	<b>Bypass:</b>
<b>Shutoffs:</b> (vv),xx,ooo,hhhh,pppp		

---

<b>Type:</b> RP	<b>Manufacturer:</b> Watts	<b>Model:</b> U009M2PCQT
<b>Size:</b> 1	<b>Orientation:</b> H	<b>Meters:</b>
<b>Manual:</b> 9	<b>0.25% Pb:</b> No	<b>Spare Parts Only:</b> No
<b>Approved:</b> 15-Jan-1999	<b>Renewed:</b> 15-Jan-2020	<b>Bypass:</b>
<b>Shutoffs:</b> (vv),xx,ooo,hhhh,pppp		

---

<b>Type:</b> RP	<b>Manufacturer:</b> Watts	<b>Model:</b> U009M2PCQT
<b>Size:</b> 1 1/2	<b>Orientation:</b> H	<b>Meters:</b>
<b>Manual:</b> 8	<b>0.25% Pb:</b> No	<b>Spare Parts Only:</b> No
<b>Approved:</b> 12-Sep-1994	<b>Renewed:</b> 12-Sep-2021	<b>Bypass:</b>
<b>Shutoffs:</b> (vv),xx,ooo,hhhh,pppp		

---

<b>Type:</b> RP	<b>Manufacturer:</b> Watts	<b>Model:</b> U009M2PCQT
<b>Size:</b> 2	<b>Orientation:</b> H	<b>Meters:</b>
<b>Manual:</b> 9	<b>0.25% Pb:</b> No	<b>Spare Parts Only:</b> No
<b>Approved:</b> 26-Aug-1997	<b>Renewed:</b> 26-Aug-2021	<b>Bypass:</b>
<b>Shutoffs:</b> (vv),xx,ooo,hhhh,pppp		

---

<b>Type:</b> RP	<b>Manufacturer:</b> Watts	<b>Model:</b> U009M2QT
<b>Size:</b> 3/4	<b>Orientation:</b> H	<b>Meters:</b>
<b>Manual:</b> 8	<b>0.25% Pb:</b> No	<b>Spare Parts Only:</b> No
<b>Approved:</b> 16-Nov-1992	<b>Renewed:</b> 16-Nov-2019	<b>Bypass:</b>
<b>Shutoffs:</b> (vv),xx,ooo,hhhh,pppp		

**Type:** RP                                 **Manufacturer:** Watts                                 **Model:** U009M2QT  
**Size:** 1   **Orientation:** H   **Meters:**  
**Manual:** 9   **0.25% Pb:** No   **Spare Parts Only:** No  
**Approved:** 15-Jan-1999                                 **Renewed:** 15-Jan-2020                                 **Bypass:**  
**Shutoffs:** (vv),xx,ooo,hhhh,pppp

---

**Type:** RP                                 **Manufacturer:** Watts                                 **Model:** U009M2QT  
**Size:** 1 1/2   **Orientation:** H   **Meters:**  
**Manual:** 8   **0.25% Pb:** No   **Spare Parts Only:** No  
**Approved:** 24-Aug-1993                                 **Renewed:** 24-Aug-2020                                 **Bypass:**  
**Shutoffs:** (vv),xx,ooo,hhhh,pppp

---

**Type:** RP                                 **Manufacturer:** Watts                                 **Model:** U009M2QT  
**Size:** 2   **Orientation:** H   **Meters:**  
**Manual:** 9   **0.25% Pb:** No   **Spare Parts Only:** No  
**Approved:** 26-Aug-1997                                 **Renewed:** 26-Aug-2021                                 **Bypass:**  
**Shutoffs:** (vv),xx,ooo,hhhh,pppp

---

**Type:** RP                                 **Manufacturer:** Watts                                 **Model:** U009PCQT  
**Size:** 1/2   **Orientation:** H   **Meters:**  
**Manual:** 8   **0.25% Pb:** No   **Spare Parts Only:** No  
**Approved:** 02-Feb-1995                                 **Renewed:** 02-Feb-2022                                 **Bypass:**  
**Shutoffs:** (vv),xx,ooo,hhhh,pppp

---

**Type:** RP                                 **Manufacturer:** Watts                                 **Model:** U009PCQT  
**Size:** 3/4   **Orientation:** H   **Meters:**  
**Manual:** 8   **0.25% Pb:** No   **Spare Parts Only:** No  
**Approved:** 10-Dec-1993                                 **Renewed:** 10-Dec-2020                                 **Bypass:**  
**Shutoffs:** (vv),xx,ooo,hhhh,pppp

---

**Type:** RP                                 **Manufacturer:** Watts                                 **Model:** U009PCQT  
**Size:** 1   **Orientation:** H   **Meters:**  
**Manual:** 8   **0.25% Pb:** No   **Spare Parts Only:** Yes  
**Approved:** 10-Dec-1993                                 **Renewed:** 10-Dec-2020                                 **Bypass:**  
**Shutoffs:** vv,xx,ooo,hhhh,pppp

---

**Type:** RP                                 **Manufacturer:** Watts                                 **Model:** U009PCQT  
**Size:** 1 1/4   **Orientation:** H   **Meters:**  
**Manual:** 8   **0.25% Pb:** No   **Spare Parts Only:** Yes  
**Approved:** 27-Sep-1994                                 **Renewed:** 27-Sep-2021                                 **Bypass:**  
**Shutoffs:** vv,xx,ooo,hhhh,pppp

**Type:** RP  
**Size:** 1 1/2  
**Manual:** 8  
**Approved:** 27-Sep-1994  
**Shutoffs:** vv,xx,ooo,hhhh,pppp

**Manufacturer:** Watts  
**Orientation:** H  
**0.25% Pb:** No  
**Renewed:** 27-Sep-2021

**Model:** U009PCQT  
**Meters:**  
**Spare Parts Only:** Yes  
**Bypass:**

---

**Type:** RP  
**Size:** 2  
**Manual:** 8  
**Approved:** 27-Sep-1994  
**Shutoffs:** vv,xx,ooo,hhhh,pppp

**Manufacturer:** Watts  
**Orientation:** H  
**0.25% Pb:** No  
**Renewed:** 27-Sep-2021

**Model:** U009PCQT  
**Meters:**  
**Spare Parts Only:** Yes  
**Bypass:**

---

**Type:** RP  
**Size:** 1/2  
**Manual:** 8  
**Approved:** 02-Feb-1995  
**Shutoffs:** (vv),xx,ooo,hhhh,pppp

**Manufacturer:** Watts  
**Orientation:** H  
**0.25% Pb:** No  
**Renewed:** 02-Feb-2022

**Model:** U009QT  
**Meters:**  
**Spare Parts Only:** No  
**Bypass:**

---

**Type:** RP  
**Size:** 3/4  
**Manual:** 7  
**Approved:** 11-Jan-1988  
**Shutoffs:** vv,xx,ooo,hhhh,pppp

**Manufacturer:** Watts  
**Orientation:** H  
**0.25% Pb:** No  
**Renewed:** 11-Jan-2021

**Model:** U009QT  
**Meters:**  
**Spare Parts Only:** Yes  
**Bypass:**

---

**Type:** RP  
**Size:** 1  
**Manual:** 7  
**Approved:** 11-Jan-1988  
**Shutoffs:** vv,xx,ooo,hhhh,pppp

**Manufacturer:** Watts  
**Orientation:** H  
**0.25% Pb:** No  
**Renewed:** 11-Jan-2021

**Model:** U009QT  
**Meters:**  
**Spare Parts Only:** Yes  
**Bypass:**

---

**Type:** RP  
**Size:** 1 1/4  
**Manual:** 7  
**Approved:** 09-Aug-1988  
**Shutoffs:** vv,xx,ooo,hhhh,pppp

**Manufacturer:** Watts  
**Orientation:** H  
**0.25% Pb:** No  
**Renewed:** 09-Aug-2021

**Model:** U009QT  
**Meters:**  
**Spare Parts Only:** Yes  
**Bypass:**

---

**Type:** RP  
**Size:** 1 1/2  
**Manual:** 7  
**Approved:** 09-Aug-1988  
**Shutoffs:** vv,xx,ooo,hhhh,pppp

**Manufacturer:** Watts  
**Orientation:** H  
**0.25% Pb:** No  
**Renewed:** 09-Aug-2021

**Model:** U009QT  
**Meters:**  
**Spare Parts Only:** Yes  
**Bypass:**

<b>Type:</b> RP	<b>Manufacturer:</b> Watts	<b>Model:</b> U009QT
<b>Size:</b> 2	<b>Orientation:</b> H	<b>Meters:</b>
<b>Manual:</b> 7	<b>0.25% Pb:</b> No	<b>Spare Parts Only:</b> Yes
<b>Approved:</b> 09-Aug-1988	<b>Renewed:</b> 09-Aug-2021	<b>Bypass:</b>
<b>Shutoffs:</b> vv,xx,ooo,hhhh,pppp		

---

<b>Type:</b> RP	<b>Manufacturer:</b> Watts	<b>Model:</b> U009SSPCQT
<b>Size:</b> 3/4	<b>Orientation:</b> H	<b>Meters:</b>
<b>Manual:</b> 8	<b>0.25% Pb:</b> No	<b>Spare Parts Only:</b> Yes
<b>Approved:</b> 10-Dec-1993	<b>Renewed:</b> 10-Dec-2020	<b>Bypass:</b>
<b>Shutoffs:</b> vv,xx,pppp		

---

<b>Type:</b> RP	<b>Manufacturer:</b> Watts	<b>Model:</b> U009SSPCQT
<b>Size:</b> 1	<b>Orientation:</b> H	<b>Meters:</b>
<b>Manual:</b> 8	<b>0.25% Pb:</b> No	<b>Spare Parts Only:</b> Yes
<b>Approved:</b> 10-Dec-1993	<b>Renewed:</b> 10-Dec-2020	<b>Bypass:</b>
<b>Shutoffs:</b> vv,xx,pppp		

---

<b>Type:</b> RP	<b>Manufacturer:</b> Watts	<b>Model:</b> U009SSPCQT
<b>Size:</b> 1 1/4	<b>Orientation:</b> H	<b>Meters:</b>
<b>Manual:</b> 8	<b>0.25% Pb:</b> No	<b>Spare Parts Only:</b> Yes
<b>Approved:</b> 27-Sep-1994	<b>Renewed:</b> 27-Sep-2021	<b>Bypass:</b>
<b>Shutoffs:</b> vv,xx,pppp		

---

<b>Type:</b> RP	<b>Manufacturer:</b> Watts	<b>Model:</b> U009SSPCQT
<b>Size:</b> 1 1/2	<b>Orientation:</b> H	<b>Meters:</b>
<b>Manual:</b> 8	<b>0.25% Pb:</b> No	<b>Spare Parts Only:</b> Yes
<b>Approved:</b> 27-Sep-1994	<b>Renewed:</b> 27-Sep-2021	<b>Bypass:</b>
<b>Shutoffs:</b> vv,xx,pppp		

---

<b>Type:</b> RP	<b>Manufacturer:</b> Watts	<b>Model:</b> U009SSPCQT
<b>Size:</b> 2	<b>Orientation:</b> H	<b>Meters:</b>
<b>Manual:</b> 8	<b>0.25% Pb:</b> No	<b>Spare Parts Only:</b> Yes
<b>Approved:</b> 27-Sep-1994	<b>Renewed:</b> 27-Sep-2021	<b>Bypass:</b>
<b>Shutoffs:</b> vv,xx,pppp		

---

<b>Type:</b> RP	<b>Manufacturer:</b> Watts	<b>Model:</b> U009SSQT
<b>Size:</b> 3/4	<b>Orientation:</b> H	<b>Meters:</b>
<b>Manual:</b> 7	<b>0.25% Pb:</b> No	<b>Spare Parts Only:</b> Yes
<b>Approved:</b> 11-Jan-1988	<b>Renewed:</b> 11-Jan-2021	<b>Bypass:</b>
<b>Shutoffs:</b> vv,xx,pppp		



**Type:** RP  
**Size:** 1  
**Manual:** 7  
**Approved:** 11-Jan-1988  
**Shutoffs:** vv,xx,pppp

**Manufacturer:** Watts  
**Orientation:** H  
**0.25% Pb:** No  
**Renewed:** 11-Jan-2021

**Model:** U009SSQT  
**Meters:**  
**Spare Parts Only:** Yes  
**Bypass:**

---

**Type:** RP  
**Size:** 1 1/4  
**Manual:** 7  
**Approved:** 09-Aug-1988  
**Shutoffs:** vv,xx,pppp

**Manufacturer:** Watts  
**Orientation:** H  
**0.25% Pb:** No  
**Renewed:** 09-Aug-2021

**Model:** U009SSQT  
**Meters:**  
**Spare Parts Only:** Yes  
**Bypass:**

---

**Type:** RP  
**Size:** 1 1/2  
**Manual:** 7  
**Approved:** 09-Aug-1988  
**Shutoffs:** vv,xx,pppp

**Manufacturer:** Watts  
**Orientation:** H  
**0.25% Pb:** No  
**Renewed:** 09-Aug-2021

**Model:** U009SSQT  
**Meters:**  
**Spare Parts Only:** Yes  
**Bypass:**

---

**Type:** RP  
**Size:** 2  
**Manual:** 7  
**Approved:** 09-Aug-1988  
**Shutoffs:** vv,xx,pppp

**Manufacturer:** Watts  
**Orientation:** H  
**0.25% Pb:** No  
**Renewed:** 09-Aug-2021

**Model:** U009SSQT  
**Meters:**  
**Spare Parts Only:** Yes  
**Bypass:**

---

**Type:** RP  
**Size:** 3/4  
**Manual:** 5  
**Approved:** 29-Sep-1979  
**Shutoffs:** (vv),xx,ooo,hhhh,pppp

**Manufacturer:** Watts  
**Orientation:** H  
**0.25% Pb:** No  
**Renewed:** 29-Sep-2021

**Model:** U909HWQT  
**Meters:**  
**Spare Parts Only:** Yes  
**Bypass:**

---

**Type:** RP  
**Size:** 1  
**Manual:** 5  
**Approved:** 29-Sep-1979  
**Shutoffs:** (vv),xx,ooo,hhhh,pppp

**Manufacturer:** Watts  
**Orientation:** H  
**0.25% Pb:** No  
**Renewed:** 29-Sep-2021

**Model:** U909HWQT  
**Meters:**  
**Spare Parts Only:** Yes  
**Bypass:**

**Type:** RP                                      **Manufacturer:** Watts                                      **Model:** U909QT  
**Size:** 3/4                                      **Orientation:** H                                      **Meters:**  
**Manual:** 9                                      **0.25% Pb:** No                                      **Spare Parts Only:** Yes  
**Approved:** 09-Oct-1998                                      **Renewed:** 09-Oct-2019                                      **Bypass:**  
**Shutoffs:** (vv),xx,ooo,hhhh,pppp  
**Notes:** Approved 6th Ed. (15 Jan 1982), 9th Ed. Approval for S/N 464100 and higher

---

**Type:** RP                                      **Manufacturer:** Watts                                      **Model:** U909QT  
**Size:** 3/4                                      **Orientation:** VU                                      **Meters:**  
**Manual:** 9                                      **0.25% Pb:** No                                      **Spare Parts Only:** Yes  
**Approved:** 09-Oct-1998                                      **Renewed:** 09-Oct-2019                                      **Bypass:**  
**Shutoffs:** (vv),xx,ooo,hhhh,pppp  
**Notes:** S/N 464100 and greater

---

**Type:** RP                                      **Manufacturer:** Watts                                      **Model:** U909QT  
**Size:** 1                                      **Orientation:** H                                      **Meters:**  
**Manual:** 9                                      **0.25% Pb:** No                                      **Spare Parts Only:** Yes  
**Approved:** 09-Oct-1998                                      **Renewed:** 09-Oct-2019                                      **Bypass:**  
**Shutoffs:** (vv),xx,ooo,hhhh,pppp  
**Notes:** Approved 6th Ed. (15 Jan 1982), 9th Ed. Approval for S/N 464100 and higher

---

**Type:** RP                                      **Manufacturer:** Watts                                      **Model:** U909QT  
**Size:** 1                                      **Orientation:** VU                                      **Meters:**  
**Manual:** 9                                      **0.25% Pb:** No                                      **Spare Parts Only:** Yes  
**Approved:** 09-Oct-1998                                      **Renewed:** 09-Oct-2019                                      **Bypass:**  
**Shutoffs:** (vv),xx,ooo,hhhh,pppp  
**Notes:** S/N 464100 and greater

---

**Type:** RP                                      **Manufacturer:** Watts                                      **Model:** U919AQT  
**Size:** 3/4                                      **Orientation:** VUVD                                      **Meters:**  
**Manual:** 9                                      **0.25% Pb:** No                                      **Spare Parts Only:** No  
**Approved:** 14-Jun-2006                                      **Renewed:** 14-Jun-2021                                      **Bypass:**  
**Shutoffs:** (vv),xx,ooo,hhhh,pppp

---

**Type:** RP                                      **Manufacturer:** Watts                                      **Model:** U919AQT  
**Size:** 1                                      **Orientation:** VUVD                                      **Meters:**  
**Manual:** 9                                      **0.25% Pb:** No                                      **Spare Parts Only:** No  
**Approved:** 01-Jun-2006                                      **Renewed:** 01-Jun-2021                                      **Bypass:**  
**Shutoffs:** (vv),xx,ooo,hhhh,pppp

**Type:** RP                                **Manufacturer:** Watts                                **Model:** U919AQT  
**Size:** 1 1/4                                **Orientation:** VUVD                                **Meters:**  
**Manual:** 9                                **0.25% Pb:** No                                **Spare Parts Only:** No  
**Approved:** 01-Jun-2006                                **Renewed:** 01-Jun-2021                                **Bypass:**  
**Shutoffs:** (vv),xx,ooo,hhhh,pppp

---

**Type:** RP                                **Manufacturer:** Watts                                **Model:** U919AQT  
**Size:** 1 1/2                                **Orientation:** VUVD                                **Meters:**  
**Manual:** 9                                **0.25% Pb:** No                                **Spare Parts Only:** No  
**Approved:** 01-Jun-2006                                **Renewed:** 01-Jun-2021                                **Bypass:**  
**Shutoffs:** (vv),xx,ooo,hhhh,pppp

---

**Type:** RP                                **Manufacturer:** Watts                                **Model:** U919AQT  
**Size:** 2                                **Orientation:** VUVD                                **Meters:**  
**Manual:** 9                                **0.25% Pb:** No                                **Spare Parts Only:** No  
**Approved:** 01-Jun-2006                                **Renewed:** 01-Jun-2021                                **Bypass:**  
**Shutoffs:** (vv),xx,ooo,hhhh,pppp

---

**Type:** RP                                **Manufacturer:** Watts                                **Model:** U919QT  
**Size:** 1                                **Orientation:** H                                **Meters:**  
**Manual:** 9                                **0.25% Pb:** No                                **Spare Parts Only:** No  
**Approved:** 01-Jun-2006                                **Renewed:** 01-Jun-2021                                **Bypass:**  
**Shutoffs:** (vv),xx,ooo,hhhh,pppp

---

**Type:** RP                                **Manufacturer:** Watts                                **Model:** U919QT  
**Size:** 1                                **Orientation:** VD                                **Meters:**  
**Manual:** 9                                **0.25% Pb:** No                                **Spare Parts Only:** No  
**Approved:** 30-Aug-2006                                **Renewed:** 30-Aug-2021                                **Bypass:**  
**Shutoffs:** (vv),xx,ooo,hhhh,pppp

---

**Type:** RP                                **Manufacturer:** Watts                                **Model:** U919QT  
**Size:** 1 1/4                                **Orientation:** H                                **Meters:**  
**Manual:** 9                                **0.25% Pb:** No                                **Spare Parts Only:** No  
**Approved:** 01-Jun-2006                                **Renewed:** 01-Jun-2021                                **Bypass:**  
**Shutoffs:** (vv),xx,ooo,hhhh,pppp

---

**Type:** RP                                **Manufacturer:** Watts                                **Model:** U919QT  
**Size:** 1 1/4                                **Orientation:** VD                                **Meters:**  
**Manual:** 9                                **0.25% Pb:** No                                **Spare Parts Only:** No  
**Approved:** 30-Aug-2006                                **Renewed:** 30-Aug-2021                                **Bypass:**  
**Shutoffs:** (vv),xx,ooo,hhhh,pppp

**Type:** RP                                      **Manufacturer:** Watts                                      **Model:** U919QT  
**Size:** 1 1/2                                      **Orientation:** H                                      **Meters:**  
**Manual:** 9                                      **0.25% Pb:** No                                      **Spare Parts Only:** No  
**Approved:** 01-Jun-2006                                      **Renewed:** 01-Jun-2021                                      **Bypass:**  
**Shutoffs:** (vv),xx,ooo,hhhh,pppp

---

**Type:** RP                                      **Manufacturer:** Watts                                      **Model:** U919QT  
**Size:** 1 1/2                                      **Orientation:** VD                                      **Meters:**  
**Manual:** 9                                      **0.25% Pb:** No                                      **Spare Parts Only:** No  
**Approved:** 30-Aug-2006                                      **Renewed:** 30-Aug-2021                                      **Bypass:**  
**Shutoffs:** (vv),xx,ooo,hhhh,pppp

---

**Type:** RP                                      **Manufacturer:** Watts                                      **Model:** U919QT  
**Size:** 2                                      **Orientation:** H                                      **Meters:**  
**Manual:** 9                                      **0.25% Pb:** No                                      **Spare Parts Only:** No  
**Approved:** 01-Jun-2006                                      **Renewed:** 01-Jun-2021                                      **Bypass:**  
**Shutoffs:** (vv),xx,ooo,hhhh,pppp

---

**Type:** RP                                      **Manufacturer:** Watts                                      **Model:** U919QT  
**Size:** 2                                      **Orientation:** VD                                      **Meters:**  
**Manual:** 9                                      **0.25% Pb:** No                                      **Spare Parts Only:** No  
**Approved:** 30-Aug-2006                                      **Renewed:** 30-Aug-2021                                      **Bypass:**  
**Shutoffs:** (vv),xx,ooo,hhhh,pppp

---

**Type:** RP                                      **Manufacturer:** Wilkins                                      **Model:** 375  
**Size:** 1/2                                      **Orientation:** H                                      **Meters:**  
**Manual:** 9                                      **0.25% Pb:** No                                      **Spare Parts Only:** No  
**Approved:** 06-Apr-2011                                      **Renewed:** 06-Apr-2020                                      **Bypass:**  
**Shutoffs:** (int)  
**Notes:** Testcocks: Female Threaded End or 45 degree male SAE flare

---

**Type:** RP                                      **Manufacturer:** Wilkins                                      **Model:** 375  
**Size:** 3/4                                      **Orientation:** H                                      **Meters:**  
**Manual:** 9                                      **0.25% Pb:** No                                      **Spare Parts Only:** No  
**Approved:** 09-Mar-2007                                      **Renewed:** 09-Mar-2022                                      **Bypass:**  
**Shutoffs:** (int)  
**Notes:** Testcocks: Female Threaded End or 45 degree male SAE flare

**Type:** RP                                   **Manufacturer:** Wilkins                                   **Model:** 375  
**Size:** 1                                   **Orientation:** H                                   **Meters:**  
**Manual:** 9                                   **0.25% Pb:** No                                   **Spare Parts Only:** No  
**Approved:** 09-Mar-2007                                   **Renewed:** 09-Mar-2022                                   **Bypass:**  
**Shutoffs:** (int)  
**Notes:** Testcocks: Female Threaded End or 45 degree male SAE flare

---

**Type:** RP                                   **Manufacturer:** Wilkins                                   **Model:** 375  
**Size:** 1 1/4                                   **Orientation:** H                                   **Meters:**  
**Manual:** 9                                   **0.25% Pb:** No                                   **Spare Parts Only:** No  
**Approved:** 20-Apr-2010                                   **Renewed:** 20-Apr-2022                                   **Bypass:**  
**Shutoffs:** (int)

---

**Type:** RP                                   **Manufacturer:** Wilkins                                   **Model:** 375  
**Size:** 1 1/2                                   **Orientation:** H                                   **Meters:**  
**Manual:** 9                                   **0.25% Pb:** No                                   **Spare Parts Only:** No  
**Approved:** 20-Apr-2010                                   **Renewed:** 20-Apr-2022                                   **Bypass:**  
**Shutoffs:** (int)

---

**Type:** RP                                   **Manufacturer:** Wilkins                                   **Model:** 375  
**Size:** 2                                   **Orientation:** H                                   **Meters:**  
**Manual:** 9                                   **0.25% Pb:** No                                   **Spare Parts Only:** No  
**Approved:** 20-Apr-2010                                   **Renewed:** 20-Apr-2022                                   **Bypass:**  
**Shutoffs:** (int)

---

**Type:** RP                                   **Manufacturer:** Wilkins                                   **Model:** 375  
**Size:** 2 1/2                                   **Orientation:** H                                   **Meters:**  
**Manual:** 9                                   **0.25% Pb:** No                                   **Spare Parts Only:** No  
**Approved:** 28-Sep-2001                                   **Renewed:** 28-Sep-2019                                   **Bypass:**  
**Shutoffs:**  
(gg),ee,ff,hh,ll,mm,tt,uu,yy,zz,ppp,qqq,zzz,dddd,ssss,tttt,vvvv,www,yyyy,zzzz,kkkkk,gggggg,hhhhhh,jjjjjj,kkkkkk,mmmm  
mm,nnnnnn  
**Notes:** Up to serial number L61205

---

**Type:** RP                                   **Manufacturer:** Wilkins                                   **Model:** 375  
**Size:** 2 1/2                                   **Orientation:** H                                   **Meters:**  
**Manual:** 9                                   **0.25% Pb:** Yes                                   **Spare Parts Only:** No  
**Approved:** 09-Sep-2010                                   **Renewed:** 09-Sep-2019                                   **Bypass:**  
**Shutoffs:** (gg),hh,ppp,qqq,ssss,tttt,vvvv,www,yyyy,zzzz,kkkkk,gggggg,hhhhhh,jjjjjj,kkkkkk,mmmmmm,nnnnnn  
**Notes:** Serial number L61205 and higher

**Type:** RP    **Manufacturer:** Wilkins    **Model:** 375  
**Size:** 3    **Orientation:** H     **Meters:**  
**Manual:** 9     **0.25% Pb:** No     **Spare Parts Only:** No  
**Approved:** 28-Sep-2001     **Renewed:** 28-Sep-2019     **Bypass:**  
**Shutoffs:**  
(gg),ee,ff,hh,ll,mm,tt,uu,yy,zz,ppp,qqq,zzz,dddd,ssss,ttt,vvvv,www,yyyy,zzzz,kkkkk,gggggg,hhhhhh,jjjjj,kkkkkk,mmmm  
mm,nnnnn  
**Notes:** Up to serial number L61205

---

**Type:** RP    **Manufacturer:** Wilkins    **Model:** 375  
**Size:** 3    **Orientation:** H     **Meters:**  
**Manual:** 9     **0.25% Pb:** Yes     **Spare Parts Only:** No  
**Approved:** 09-Sep-2010     **Renewed:** 09-Sep-2019     **Bypass:**  
**Shutoffs:** (gg),hh,ppp,qqq,ssss,ttt,vvvv,www,yyyy,zzzz,kkkkk,gggggg,hhhhhh,jjjjj,kkkkkk,mmmmmm,nnnnn  
**Notes:** Serial number L61205 and higher

---

**Type:** RP    **Manufacturer:** Wilkins    **Model:** 375  
**Size:** 4    **Orientation:** H     **Meters:**  
**Manual:** 9     **0.25% Pb:** No     **Spare Parts Only:** No  
**Approved:** 27-Mar-2000     **Renewed:** 27-Mar-2021     **Bypass:**  
**Shutoffs:**  
(gg),ee,ff,hh,ll,mm,tt,uu,yy,zz,ppp,qqq,vvv,www,zzz,dddd,eeee,ssss,ttt,vvvv,www,yyyy,zzzz,kkkkk,gggggg,hhhhhh,jjjjj,k  
kkkkk,mmmmmm,nnnnn  
**Notes:** Up to serial number L61205

---

**Type:** RP    **Manufacturer:** Wilkins    **Model:** 375  
**Size:** 4    **Orientation:** H     **Meters:**  
**Manual:** 9     **0.25% Pb:** Yes     **Spare Parts Only:** No  
**Approved:** 09-Sep-2010     **Renewed:** 09-Sep-2019     **Bypass:**  
**Shutoffs:** (gg),hh,ppp,qqq,vvv,www,ssss,ttt,vvvv,www,yyyy,zzzz,kkkkk,gggggg,hhhhhh,jjjjj,kkkkkk,mmmmmm,nnnnn  
**Notes:** Serial number L61205 and higher

---

**Type:** RP    **Manufacturer:** Wilkins    **Model:** 375  
**Size:** 6    **Orientation:** H     **Meters:**  
**Manual:** 9     **0.25% Pb:** No     **Spare Parts Only:** No  
**Approved:** 27-Jul-2000     **Renewed:** 27-Jul-2021     **Bypass:**  
**Shutoffs:**  
(gg),ee,ff,hh,ll,mm,tt,uu,yy,zz,ppp,qqq,vvv,www,zzz,dddd,eeee,ssss,ttt,vvvv,www,yyyy,zzzz,kkkkk,gggggg,hhhhhh,jjjjj,k  
kkkkk,mmmmmm,nnnnn  
**Notes:** Up to serial number L61205

**Type:** RP    **Manufacturer:** Wilkins    **Model:** 375  
**Size:** 6    **Orientation:** H    **Meters:**  
**Manual:** 9    **0.25% Pb:** Yes    **Spare Parts Only:** No  
**Approved:** 09-Sep-2010    **Renewed:** 09-Sep-2019    **Bypass:**  
**Shutoffs:** (gg),hh,ppp,qqq,vvv,www,ssss,tttt,vvvv,wwww,yyyy,zzzz,kkkkk,gggggg,hhhhhh,jjjjj,kkkkkk,mmmmmm,nnnnnn  
**Notes:** Serial number L61205 and higher

---

**Type:** RP    **Manufacturer:** Wilkins    **Model:** 375  
**Size:** 8    **Orientation:** H    **Meters:**  
**Manual:** 9    **0.25% Pb:** No    **Spare Parts Only:** No  
**Approved:** 11-Nov-2002    **Renewed:** 11-Nov-2020    **Bypass:**  
**Shutoffs:**  
(gg),ee,ff,hh,ll,mm,tt,uu,yy,zz,ppp,qqq,vvv,www,zzz,dddd,eeee,ssss,tttt,vvvv,wwww,yyyy,zzzz,kkkkk,gggggg,hhhhhh,jjjjj,kkkkk,mmmmmm,nnnnnn  
**Notes:** Up to serial number L61205

---

**Type:** RP    **Manufacturer:** Wilkins    **Model:** 375  
**Size:** 8    **Orientation:** H    **Meters:**  
**Manual:** 9    **0.25% Pb:** Yes    **Spare Parts Only:** No  
**Approved:** 09-Sep-2010    **Renewed:** 09-Sep-2019    **Bypass:**  
**Shutoffs:** (gg),hh,ppp,qqq,vvv,www,ssss,tttt,vvvv,wwww,yyyy,zzzz,kkkkk,gggggg,hhhhhh,jjjjj,kkkkkk,mmmmmm,nnnnnn  
**Notes:** Serial number L61205 and higher

---

**Type:** RP    **Manufacturer:** Wilkins    **Model:** 375  
**Size:** 10    **Orientation:** H    **Meters:**  
**Manual:** 9    **0.25% Pb:** No    **Spare Parts Only:** No  
**Approved:** 22-Nov-2004    **Renewed:** 22-Nov-2019    **Bypass:**  
**Shutoffs:**  
(gg),ee,ff,hh,ll,mm,tt,uu,yy,zz,ppp,qqq,vvv,www,zzz,dddd,eeee,ssss,tttt,vvvv,wwww,yyyy,zzzz,kkkkk,gggggg,hhhhhh,jjjjj,kkkkk,mmmmmm,nnnnnn  
**Notes:** Up to serial number L61205

---

**Type:** RP    **Manufacturer:** Wilkins    **Model:** 375  
**Size:** 10    **Orientation:** H    **Meters:**  
**Manual:** 9    **0.25% Pb:** Yes    **Spare Parts Only:** No  
**Approved:** 09-Sep-2010    **Renewed:** 09-Sep-2019    **Bypass:**  
**Shutoffs:** (gg),hh,ppp,qqq,vvv,www,ssss,tttt,vvvv,wwww,yyyy,zzzz,kkkkk,gggggg,hhhhhh,jjjjj,kkkkkk,mmmmmm,nnnnnn  
**Notes:** Serial number L61205 and higher

**Type:** RP                                 **Manufacturer:** Wilkins                                 **Model:** 375A  
**Size:** 2 1/2                                 **Orientation:** H                                 **Meters:**  
**Manual:** 9                                 **0.25% Pb:** No                                 **Spare Parts Only:** No  
**Approved:** 20-Oct-2008                                 **Renewed:** 20-Oct-2020                                 **Bypass:**  
**Shutoffs:**  
(ppp),qqq,sss,ttt,yyy,zzz,dddd,ssss,uuuu,vvvv,xxxx,yyyy,aaaaa,kkkkk,lllll,gggggg,iiiiii,jjjjjj,llllll,mmmmmm,oooooo  
**Notes:** Up to serial number X18805

---

**Type:** RP                                 **Manufacturer:** Wilkins                                 **Model:** 375A  
**Size:** 2 1/2                                 **Orientation:** H                                 **Meters:**  
**Manual:** 9                                 **0.25% Pb:** Yes                                 **Spare Parts Only:** No  
**Approved:** 09-Sep-2010                                 **Renewed:** 09-Sep-2019                                 **Bypass:**  
**Shutoffs:** (ppp),qqq,sss,ttt,yyy,ssss,uuuu,vvvv,xxxx,yyyy,aaaaa,kkkkk,lllll,gggggg,iiiiii,jjjjjj,llllll,mmmmmm,oooooo  
**Notes:** Serial number X18805 and higher

---

**Type:** RP                                 **Manufacturer:** Wilkins                                 **Model:** 375A  
**Size:** 3                                 **Orientation:** H                                 **Meters:**  
**Manual:** 9                                 **0.25% Pb:** No                                 **Spare Parts Only:** No  
**Approved:** 20-Oct-2008                                 **Renewed:** 20-Oct-2020                                 **Bypass:**  
**Shutoffs:**  
(ppp),qqq,sss,ttt,yyy,zzz,dddd,ssss,uuuu,vvvv,xxxx,yyyy,aaaaa,kkkkk,lllll,gggggg,iiiiii,jjjjjj,llllll,mmmmmm,oooooo  
**Notes:** Up to serial number X18805

---

**Type:** RP                                 **Manufacturer:** Wilkins                                 **Model:** 375A  
**Size:** 3                                 **Orientation:** H                                 **Meters:**  
**Manual:** 9                                 **0.25% Pb:** Yes                                 **Spare Parts Only:** No  
**Approved:** 09-Sep-2010                                 **Renewed:** 09-Sep-2019                                 **Bypass:**  
**Shutoffs:** (ppp),qqq,sss,ttt,yyy,ssss,uuuu,vvvv,xxxx,yyyy,aaaaa,kkkkk,lllll,gggggg,iiiiii,jjjjjj,llllll,mmmmmm,oooooo  
**Notes:** Serial number X18805 and higher

---

**Type:** RP                                 **Manufacturer:** Wilkins                                 **Model:** 375A  
**Size:** 4                                 **Orientation:** H                                 **Meters:**  
**Manual:** 9                                 **0.25% Pb:** No                                 **Spare Parts Only:** No  
**Approved:** 02-Jun-2004                                 **Renewed:** 02-Jun-2022                                 **Bypass:**  
**Shutoffs:**  
(ppp),qqq,sss,ttt,www,yyy,zzz,dddd,eeee,ssss,uuuu,vvvv,xxxx,yyyy,aaaaa,kkkkk,lllll,gggggg,iiiiii,jjjjjj,llllll,mmmmmm,ooooo  
o  
**Notes:** Up to serial number X18805



**Type:** RP                                       **Manufacturer:** Wilkins                                       **Model:** 375A  
**Size:** 4   **Orientation:** H   **Meters:**  
**Manual:** 9                                       **0.25% Pb:** Yes   **Spare Parts Only:** No  
**Approved:** 09-Sep-2010                       **Renewed:** 09-Sep-2019                                       **Bypass:**  
**Shutoffs:**  
(ppp),qqq,sss,ttt,www,yyy,zzz,ssss,uuuu,vvvv,xxxx,yyyy,aaaaa,kkkkk,lllll,gggggg,iiiiii,jjjjjj,llllll,mmmmmm,oooooo  
**Notes:** Serial number X18805 and higher

---

**Type:** RP                                       **Manufacturer:** Wilkins                                       **Model:** 375A  
**Size:** 6   **Orientation:** H   **Meters:**  
**Manual:** 9                                       **0.25% Pb:** No   **Spare Parts Only:** No  
**Approved:** 25-Nov-2003                       **Renewed:** 25-Nov-2021                                       **Bypass:**  
**Shutoffs:**  
(ppp),qqq,sss,ttt,www,yyy,zzz,dddd,eeee,ssss,uuuu,vvvv,xxxx,yyyy,aaaaa,kkkkk,lllll,gggggg,iiiiii,jjjjjj,llllll,mmmmmm,oooooo  
o  
**Notes:** Up to serial number X18805

---

**Type:** RP                                       **Manufacturer:** Wilkins                                       **Model:** 375A  
**Size:** 6   **Orientation:** H   **Meters:**  
**Manual:** 9                                       **0.25% Pb:** Yes   **Spare Parts Only:** No  
**Approved:** 09-Sep-2010                       **Renewed:** 09-Sep-2019                                       **Bypass:**  
**Shutoffs:**  
(ppp),qqq,sss,ttt,www,yyy,zzz,ssss,uuuu,vvvv,xxxx,yyyy,aaaaa,kkkkk,lllll,gggggg,iiiiii,jjjjjj,llllll,mmmmmm,oooooo  
**Notes:** Serial number X18805 and higher

---

**Type:** RP                                       **Manufacturer:** Wilkins                                       **Model:** 375A  
**Size:** 8   **Orientation:** H   **Meters:**  
**Manual:** 9                                       **0.25% Pb:** No   **Spare Parts Only:** No  
**Approved:** 15-Jun-2004                       **Renewed:** 15-Jun-2022                                       **Bypass:**  
**Shutoffs:**  
(ppp),qqq,sss,ttt,www,yyy,zzz,ssss,uuuu,vvvv,xxxx,yyyy,aaaaa,kkkkk,lllll,gggggg,iiiiii,jjjjjj,llllll,mmmmmm,oooooo  
**Notes:** Up to serial number X18805

---

**Type:** RP                                       **Manufacturer:** Wilkins                                       **Model:** 375A  
**Size:** 8   **Orientation:** H   **Meters:**  
**Manual:** 9                                       **0.25% Pb:** Yes   **Spare Parts Only:** No  
**Approved:** 09-Sep-2010                       **Renewed:** 09-Sep-2019                                       **Bypass:**  
**Shutoffs:** (ppp),qqq,sss,ttt,www,yyy,ssss,uuuu,vvvv,xxxx,yyyy,aaaaa,kkkkk,lllll,gggggg,iiiiii,jjjjjj,llllll,mmmmmm,oooooo  
**Notes:** Serial number X18805 and higher

**Type:** RP                                      **Manufacturer:** Wilkins                                      **Model:** 375A  
**Size:** 10                                      **Orientation:** H                                      **Meters:**  
**Manual:** 9                                      **0.25% Pb:** No                                      **Spare Parts Only:** No  
**Approved:** 02-Mar-2007                                      **Renewed:** 02-Mar-2022                                      **Bypass:**  
**Shutoffs:**  
(ppp),qqq,sss,ttt,www,yyy,zzz,dddd,eeee,ssss,uuuu,vvvv,xxxx,yyyy,aaaaa,kkkkk,l1lll,gggggg,iiiiii,jjjjjj,lllll,mmmmmm,ooooo  
o  
**Notes:** Up to serial number X18805

---

**Type:** RP                                      **Manufacturer:** Wilkins                                      **Model:** 375A  
**Size:** 10                                      **Orientation:** H                                      **Meters:**  
**Manual:** 9                                      **0.25% Pb:** Yes                                      **Spare Parts Only:** No  
**Approved:** 09-Sep-2010                                      **Renewed:** 09-Sep-2019                                      **Bypass:**  
**Shutoffs:** (ppp),qqq,sss,ttt,www,yyy,ssss,uuuu,vvvv,xxxx,yyyy,aaaaa,kkkkk,l1lll,gggggg,iiiiii,jjjjjj,lllll,mmmmmm,ooooo  
**Notes:** Serial number X18805 and higher

---

**Type:** RP                                      **Manufacturer:** Wilkins                                      **Model:** 375AMS  
**Size:** 2 1/2                                      **Orientation:** H                                      **Meters:**  
**Manual:** 9                                      **0.25% Pb:** Yes                                      **Spare Parts Only:** No  
**Approved:** 05-Nov-2014                                      **Renewed:** 05-Nov-2020                                      **Bypass:**  
**Shutoffs:** (ppp),qqq,sss,ttt,www,yyy,zzz,ssss,uuuu,vvvv,xxxx,yyyy,aaaaa,kkkkk,l1lll

---

**Type:** RP                                      **Manufacturer:** Wilkins                                      **Model:** 375AMS  
**Size:** 3                                      **Orientation:** H                                      **Meters:**  
**Manual:** 9                                      **0.25% Pb:** Yes                                      **Spare Parts Only:** No  
**Approved:** 05-Nov-2014                                      **Renewed:** 05-Nov-2020                                      **Bypass:**  
**Shutoffs:** (ppp),qqq,sss,ttt,www,yyy,zzz,ssss,uuuu,vvvv,xxxx,yyyy,aaaaa,kkkkk,l1lll

---

**Type:** RP                                      **Manufacturer:** Wilkins                                      **Model:** 375AMS  
**Size:** 4                                      **Orientation:** H                                      **Meters:**  
**Manual:** 9                                      **0.25% Pb:** Yes                                      **Spare Parts Only:** No  
**Approved:** 05-Nov-2014                                      **Renewed:** 05-Nov-2020                                      **Bypass:**  
**Shutoffs:** (ppp),qqq,sss,ttt,www,yyy,zzz,ssss,uuuu,vvvv,xxxx,yyyy,aaaaa,kkkkk,l1lll

---

**Type:** RP                                      **Manufacturer:** Wilkins                                      **Model:** 375AMS  
**Size:** 6                                      **Orientation:** H                                      **Meters:**  
**Manual:** 9                                      **0.25% Pb:** Yes                                      **Spare Parts Only:** No  
**Approved:** 05-Nov-2014                                      **Renewed:** 05-Nov-2020                                      **Bypass:**  
**Shutoffs:** (ppp),qqq,sss,ttt,www,yyy,zzz,ssss,uuuu,vvvv,xxxx,yyyy,aaaaa,kkkkk,l1lll

**Type:** RP                              **Manufacturer:** Wilkins                              **Model:** 375AMS  
**Size:** 8                                  **Orientation:** H                                      **Meters:**  
**Manual:** 9                              **0.25% Pb:** Yes                                  **Spare Parts Only:** No  
**Approved:** 05-Nov-2014                              **Renewed:** 05-Nov-2020                              **Bypass:**  
**Shutoffs:** (ppp),qqq,sss,ttt,www,yyy,ssss,uuuu,vvvv,xxxx,yyyy,aaaaa,kkkkk,lllll

---

**Type:** RP                              **Manufacturer:** Wilkins                              **Model:** 375AMS  
**Size:** 10                                  **Orientation:** H                                      **Meters:**  
**Manual:** 9                              **0.25% Pb:** Yes                                  **Spare Parts Only:** No  
**Approved:** 05-Nov-2014                              **Renewed:** 05-Nov-2020                              **Bypass:**  
**Shutoffs:** (ppp),qqq,sss,ttt,www,yyy,zzz,ssss,uuuu,vvvv,xxxx,yyyy,aaaaa,kkkkk,lllll

---

**Type:** RP                              **Manufacturer:** Wilkins                              **Model:** 375AR  
**Size:** 2 1/2                                  **Orientation:** H                                      **Meters:**  
**Manual:** 9                              **0.25% Pb:** No                                  **Spare Parts Only:** No  
**Approved:** 16-Jun-2010                              **Renewed:** 16-Jun-2022                              **Bypass:**  
**Shutoffs:**  
(ppp),qqq,sss,ttt,yyy,zzz,dddd,ssss,uuuu,vvvv,xxxx,yyyy,aaaaa,kkkkk,lllll,gggggg,iiiiii,jjjjjj,llllll,mmmmmm,oooooo  
**Notes:** Integral grooved spool between the #2 ck and #2 SOV - assembly length: min. 34 1/4" and max. 47 1/8" Up to serial number X18805

---

**Type:** RP                              **Manufacturer:** Wilkins                              **Model:** 375AR  
**Size:** 2 1/2                                  **Orientation:** H                                      **Meters:**  
**Manual:** 9                              **0.25% Pb:** Yes                                  **Spare Parts Only:** No  
**Approved:** 09-Sep-2010                              **Renewed:** 09-Sep-2019                              **Bypass:**  
**Shutoffs:** (ppp),qqq,sss,ttt,yyy,ssss,uuuu,vvvv,xxxx,yyyy,aaaaa,kkkkk,lllll,gggggg,iiiiii,jjjjjj,llllll,mmmmmm,oooooo  
**Notes:** Only Serial No G00110 and higher approved. These have an Integral grooved spool between the #2 ck and #2 SOV with length: min. 34 1/4" and max. 47 1/8"

---

**Type:** RP                              **Manufacturer:** Wilkins                              **Model:** 375AR  
**Size:** 3                                      **Orientation:** H                                      **Meters:**  
**Manual:** 9                              **0.25% Pb:** No                                  **Spare Parts Only:** No  
**Approved:** 16-Jun-2010                              **Renewed:** 16-Jun-2022                              **Bypass:**  
**Shutoffs:**  
(ppp),qqq,sss,ttt,yyy,zzz,dddd,ssss,uuuu,vvvv,xxxx,yyyy,aaaaa,kkkkk,lllll,gggggg,iiiiii,jjjjjj,llllll,mmmmmm,oooooo  
**Notes:** Only Serial No G00110 and higher approved. These have an Integral grooved spool between the #2 ck and #2 SOV with length: min. 34 1/4" and max. 47 1/8"

**Type:** RP                                      **Manufacturer:** Wilkins                                      **Model:** 375AR  
**Size:** 3    **Orientation:** H    **Meters:**  
**Manual:** 9    **0.25% Pb:** Yes    **Spare Parts Only:** No  
**Approved:** 09-Sep-2010                                      **Renewed:** 09-Sep-2019                                      **Bypass:**  
**Shutoffs:** (ppp),qqq,sss,ttt,yyy,ssss,uuuu,vvvv,xxxx,yyyy,aaaaa,kkkkk,lllll,gggggg,iiiiii,jjjjj,lllll,mmmmm,ooooo  
**Notes:** Only Serial No G00110 and higher approved. These have an Integral grooved spool between the #2 ck and #2 SOV with length: min. 34 1/4" and max. 47 1/8"

---

**Type:** RP                                      **Manufacturer:** Wilkins                                      **Model:** 375AR  
**Size:** 4    **Orientation:** H    **Meters:**  
**Manual:** 9    **0.25% Pb:** No    **Spare Parts Only:** No  
**Approved:** 25-Mar-2010                                      **Renewed:** 25-Mar-2022                                      **Bypass:**  
**Shutoffs:**  
(ppp),qqq,sss,ttt,www,yyy,zzz,dddd,eeee,ssss,uuuu,vvvv,xxxx,yyyy,aaaaa,kkkkk,lllll,gggggg,iiiiii,jjjjj,lllll,mmmmm,ooooo  
o  
**Notes:** Only Serial No G00110 and higher approved. These have an Integral grooved spool between the #2 ck and #2 SOV with length: min. 34 1/4" and max. 47 1/8"

---

**Type:** RP                                      **Manufacturer:** Wilkins                                      **Model:** 375AR  
**Size:** 4    **Orientation:** H    **Meters:**  
**Manual:** 9    **0.25% Pb:** Yes    **Spare Parts Only:** No  
**Approved:** 09-Sep-2010                                      **Renewed:** 09-Sep-2019                                      **Bypass:**  
**Shutoffs:**  
(ppp),qqq,sss,ttt,www,yyy,zzz,dddd,eeee,ssss,uuuu,vvvv,xxxx,yyyy,aaaaa,kkkkk,lllll,gggggg,iiiiii,jjjjj,lllll,mmmmm,ooooo  
o  
**Notes:** Only Serial No G00110 and higher approved. These have an Integral grooved spool between the #2 ck and #2 SOV with length: min. 35 3/4" and max. 62 1/4"

---

**Type:** RP                                      **Manufacturer:** Wilkins                                      **Model:** 375AR  
**Size:** 6    **Orientation:** H    **Meters:**  
**Manual:** 9    **0.25% Pb:** No    **Spare Parts Only:** No  
**Approved:** 25-Mar-2010                                      **Renewed:** 25-Mar-2022                                      **Bypass:**  
**Shutoffs:**  
(ppp),qqq,sss,ttt,www,yyy,zzz,dddd,eeee,ssss,uuuu,vvvv,xxxx,yyyy,aaaaa,kkkkk,lllll,gggggg,iiiiii,jjjjj,lllll,mmmmm,ooooo  
o  
**Notes:** Only Serial No G00110 and higher approved. These have an Integral grooved spool between the #2 ck and #2 SOV with length: min. 34 1/4" and max. 47 1/8"

<b>Type:</b> RP	<b>Manufacturer:</b> Wilkins	<b>Model:</b> 375AR
<b>Size:</b> 6	<b>Orientation:</b> H	<b>Meters:</b>
<b>Manual:</b> 9	<b>0.25% Pb:</b> Yes	<b>Spare Parts Only:</b> No
<b>Approved:</b> 09-Sep-2010	<b>Renewed:</b> 09-Sep-2019	<b>Bypass:</b>
<b>Shutoffs:</b> (ppp),qqq,sss,ttt,www,yyy,zzz,dddd,eeee,ssss,uuuu,vvvv,xxxx,yyyy,aaaaa,kkkkk,lIlll,gggggg,iIiiii,jjjjj,lIlll,mmmmmm,ooooo o		
<b>Notes:</b> Only Serial No G00110 and higher approved. These have an Integral grooved spool between the #2 ck and #2 SOV with length: min. 42 1/2" and max. 71 1/4"		

---

<b>Type:</b> RP	<b>Manufacturer:</b> Wilkins	<b>Model:</b> 375AR
<b>Size:</b> 8	<b>Orientation:</b> H	<b>Meters:</b>
<b>Manual:</b> 9	<b>0.25% Pb:</b> No	<b>Spare Parts Only:</b> No
<b>Approved:</b> 25-Mar-2010	<b>Renewed:</b> 25-Mar-2022	<b>Bypass:</b>
<b>Shutoffs:</b> (ppp),qqq,sss,ttt,www,yyy,zzz,dddd,eeee,ssss,uuuu,vvvv,xxxx,yyyy,aaaaa,kkkkk,lIlll,gggggg,iIiiii,jjjjj,lIlll,mmmmmm,ooooo o		
<b>Notes:</b> Only Serial No G00110 and higher approved. These have an Integral grooved spool between the #2 ck and #2 SOV with length: min. 34 1/4" and max. 47 1/8"		

---

<b>Type:</b> RP	<b>Manufacturer:</b> Wilkins	<b>Model:</b> 375AR
<b>Size:</b> 8	<b>Orientation:</b> H	<b>Meters:</b>
<b>Manual:</b> 9	<b>0.25% Pb:</b> Yes	<b>Spare Parts Only:</b> No
<b>Approved:</b> 09-Sep-2010	<b>Renewed:</b> 09-Sep-2019	<b>Bypass:</b>
<b>Shutoffs:</b> (ppp),qqq,sss,ttt,www,yyy,zzz,dddd,eeee,ssss,uuuu,vvvv,xxxx,yyyy,aaaaa,kkkkk,lIlll,gggggg,iIiiii,jjjjj,lIlll,mmmmmm,ooooo o		
<b>Notes:</b> Only Serial No G00110 and higher approved. These have an Integral grooved spool between the #2 ck and #2 SOV with length: min. 57 7/8" and max. 86"		

---

<b>Type:</b> RP	<b>Manufacturer:</b> Wilkins	<b>Model:</b> 375AR
<b>Size:</b> 10	<b>Orientation:</b> H	<b>Meters:</b>
<b>Manual:</b> 9	<b>0.25% Pb:</b> No	<b>Spare Parts Only:</b> No
<b>Approved:</b> 25-Mar-2010	<b>Renewed:</b> 25-Mar-2022	<b>Bypass:</b>
<b>Shutoffs:</b> (ppp),qqq,sss,ttt,www,yyy,zzz,dddd,eeee,ssss,uuuu,vvvv,xxxx,yyyy,aaaaa,kkkkk,lIlll,gggggg,iIiiii,jjjjj,lIlll,mmmmmm,ooooo o		
<b>Notes:</b> Only Serial No G00110 and higher approved. These have an Integral grooved spool between the #2 ck and #2 SOV with length: min. 34 1/4" and max. 47 1/8"		

<b>Type:</b> RP	<b>Manufacturer:</b> Wilkins	<b>Model:</b> 375AR
<b>Size:</b> 10	<b>Orientation:</b> H	<b>Meters:</b>
<b>Manual:</b> 9	<b>0.25% Pb:</b> Yes	<b>Spare Parts Only:</b> No
<b>Approved:</b> 09-Sep-2010	<b>Renewed:</b> 09-Sep-2019	<b>Bypass:</b>
<b>Shutoffs:</b> (ppp),qqq,sss,ttt,www,yyy,zzz,dddd,eeee,ssss,uuuu,vvvv,xxxx,yyyy,aaaaa,kkkkk,lllll,gggggg,iiiiii,jjjjj,lllll,mmmmmm,ooooo o		
<b>Notes:</b> Only Serial No G00110 and higher approved. These have an Integral grooved spool between the #2 ck and #2 SOV with length: min. 61 3/8" and max. 100 5/8"		

---

<b>Type:</b> RP	<b>Manufacturer:</b> Wilkins	<b>Model:</b> 375ARMS
<b>Size:</b> 2 1/2	<b>Orientation:</b> H	<b>Meters:</b>
<b>Manual:</b> 9	<b>0.25% Pb:</b> Yes	<b>Spare Parts Only:</b> No
<b>Approved:</b> 05-Nov-2014	<b>Renewed:</b> 05-Nov-2020	<b>Bypass:</b>
<b>Shutoffs:</b> (ppp),qqq,sss,ttt,yyy,ssss,uuuu,vvvv,xxxx,yyyy,aaaaa,kkkkk,lllll		
<b>Notes:</b> These have an Integral grooved spool between the #2 ck and #2 SOV with length: min. 34 1/4" and max. 47 1/8"		

---

<b>Type:</b> RP	<b>Manufacturer:</b> Wilkins	<b>Model:</b> 375ARMS
<b>Size:</b> 3	<b>Orientation:</b> H	<b>Meters:</b>
<b>Manual:</b> 9	<b>0.25% Pb:</b> Yes	<b>Spare Parts Only:</b> No
<b>Approved:</b> 05-Nov-2014	<b>Renewed:</b> 05-Nov-2020	<b>Bypass:</b>
<b>Shutoffs:</b> (ppp),qqq,sss,ttt,yyy,ssss,uuuu,vvvv,xxxx,yyyy,aaaaa,kkkkk,lllll		
<b>Notes:</b> These have an Integral grooved spool between the #2 ck and #2 SOV with length: min. 34 1/4" and max. 48 1/8"		

---

<b>Type:</b> RP	<b>Manufacturer:</b> Wilkins	<b>Model:</b> 375ARMS
<b>Size:</b> 4	<b>Orientation:</b> H	<b>Meters:</b>
<b>Manual:</b> 9	<b>0.25% Pb:</b> Yes	<b>Spare Parts Only:</b> No
<b>Approved:</b> 05-Nov-2014	<b>Renewed:</b> 05-Nov-2020	<b>Bypass:</b>
<b>Shutoffs:</b> (ppp),qqq,sss,ttt,www,yyy,zzz,dddd,eeee,ssss,uuuu,vvvv,xxxx,yyyy,aaaaa,kkkkk,lllll		
<b>Notes:</b> These have an Integral grooved spool between the #2 ck and #2 SOV with length: min. 35 3/4" and max. 62 1/4"		

---

<b>Type:</b> RP	<b>Manufacturer:</b> Wilkins	<b>Model:</b> 375ARMS
<b>Size:</b> 6	<b>Orientation:</b> H	<b>Meters:</b>
<b>Manual:</b> 9	<b>0.25% Pb:</b> Yes	<b>Spare Parts Only:</b> No
<b>Approved:</b> 05-Nov-2014	<b>Renewed:</b> 05-Nov-2020	<b>Bypass:</b>
<b>Shutoffs:</b> (ppp),qqq,sss,ttt,www,yyy,zzz,dddd,eeee,ssss,uuuu,vvvv,xxxx,yyyy,aaaaa,kkkkk,lllll		
<b>Notes:</b> These have an Integral grooved spool between the #2 ck and #2 SOV with length: min. 42 1/2" and max. 71 1/4"		



**Type:** RP   **Manufacturer:** Wilkins   **Model:** 375ARW1  
**Size:** 6   **Orientation:** H   **Meters:**  
**Manual:** 9   **0.25% Pb:** Yes   **Spare Parts Only:** No  
**Approved:** 12-Mar-2019   **Renewed:** 12-Mar-2022   **Bypass:**  
**Shutoffs:**  
(ppp),qqq,sss,ttt,www,yyy,zzz,dddd,eeee,ssss,uuuu,vvvv,xxxx,yyyy,aaaaa,kkkkk,lllll,gggggg,iiiii,jjjjj,lllll,mmmmmm,ooooo  
o  
**Notes:** These have an Integral grooved spool between the #2 ck and #2 SOV with length: min. 42 1/2" and max. 71 1/4"

---

**Type:** RP   **Manufacturer:** Wilkins   **Model:** 375ARW1  
**Size:** 8   **Orientation:** H   **Meters:**  
**Manual:** 9   **0.25% Pb:** Yes   **Spare Parts Only:** No  
**Approved:** 25-Apr-2019   **Renewed:** 25-Apr-2022   **Bypass:**  
**Shutoffs:**  
(ppp),qqq,sss,ttt,www,yyy,zzz,dddd,eeee,ssss,uuuu,vvvv,xxxx,yyyy,aaaaa,kkkkk,lllll,gggggg,iiiii,jjjjj,lllll,mmmmmm,ooooo  
o  
**Notes:** These have an Integral grooved spool between the #2 ck and #2 SOV with length: min. 57 7/8" and max. 86"

---

**Type:** RP   **Manufacturer:** Wilkins   **Model:** 375ARW1  
**Size:** 10   **Orientation:** H   **Meters:**  
**Manual:** 9   **0.25% Pb:** Yes   **Spare Parts Only:** No  
**Approved:** 25-Apr-2019   **Renewed:** 25-Apr-2022   **Bypass:**  
**Shutoffs:**  
(ppp),qqq,sss,ttt,www,yyy,zzz,dddd,eeee,ssss,uuuu,vvvv,xxxx,yyyy,aaaaa,kkkkk,lllll,gggggg,iiiii,jjjjj,lllll,mmmmmm,ooooo  
o  
**Notes:** These have an Integral grooved spool between the #2 ck and #2 SOV with length: min. 61 3/8" and max. 100 5/8"

---

**Type:** RP   **Manufacturer:** Wilkins   **Model:** 375ARXL  
**Size:** 2 1/2   **Orientation:** H   **Meters:**  
**Manual:** 9   **0.25% Pb:** Yes   **Spare Parts Only:** No  
**Approved:** 16-Jun-2010   **Renewed:** 16-Jun-2022   **Bypass:**  
**Shutoffs:** (ppp),sss,ttt,qqq,yyy,zzz,dddd  
**Notes:** Only Serial No G00110 and higher approved. These have an Integral grooved spool between the #2 ck and #2 SOV with length: min. 34 1/4" and max. 47 1/8"

---

**Type:** RP   **Manufacturer:** Wilkins   **Model:** 375ARXL  
**Size:** 3   **Orientation:** H   **Meters:**  
**Manual:** 9   **0.25% Pb:** Yes   **Spare Parts Only:** No  
**Approved:** 16-Jun-2010   **Renewed:** 16-Jun-2022   **Bypass:**  
**Shutoffs:** (ppp),sss,ttt,qqq,yyy,zzz,dddd  
**Notes:** Only Serial No G00110 and higher approved. These have an Integral grooved spool between the #2 ck and #2 SOV with length: min. 35 3/4" and max. 62 1/4"

---



**Type:** RP                               **Manufacturer:** Wilkins                       **Model:** 375ARXL  
**Size:** 4                               **Orientation:** H                               **Meters:**  
**Manual:** 9                               **0.25% Pb:** Yes                               **Spare Parts Only:** No  
**Approved:** 16-Jun-2010               **Renewed:** 16-Jun-2022                       **Bypass:**  
**Shutoffs:** (ppp),qqq,sss,ttt,www,yyy,zzz,dddd,eeee,ssss,uuuu,vvvv,xxxx,yyyy,aaaaa  
**Notes:** Only Serial No G00110 and higher approved. These have an Integral grooved spool between the #2 ck and #2 SOV with length: min. 42 1/2" and max. 71 1/4"

---

**Type:** RP                               **Manufacturer:** Wilkins                       **Model:** 375ARXL  
**Size:** 6                               **Orientation:** H                               **Meters:**  
**Manual:** 9                               **0.25% Pb:** Yes                               **Spare Parts Only:** No  
**Approved:** 16-Jun-2010               **Renewed:** 16-Jun-2022                       **Bypass:**  
**Shutoffs:** (ppp),qqq,sss,ttt,www,yyy,zzz,dddd,eeee,ssss,uuuu,vvvv,xxxx,yyyy,aaaaa  
**Notes:** Only Serial No G00110 and higher approved. These have an Integral grooved spool between the #2 ck and #2 SOV with length: min. 57 7/8" and max. 86"

---

**Type:** RP                               **Manufacturer:** Wilkins                       **Model:** 375ARXL  
**Size:** 8                               **Orientation:** H                               **Meters:**  
**Manual:** 9                               **0.25% Pb:** Yes                               **Spare Parts Only:** No  
**Approved:** 16-Jun-2010               **Renewed:** 16-Jun-2022                       **Bypass:**  
**Shutoffs:** (ppp),qqq,sss,ttt,www,yyy,zzz,dddd,eeee,ssss,uuuu,vvvv,xxxx,yyyy,aaaaa  
**Notes:** Only Serial No G00110 and higher approved. These have an Integral grooved spool between the #2 ck and #2 SOV with length: min. 61 3/8" and max. 100 5/8"

---

**Type:** RP                               **Manufacturer:** Wilkins                       **Model:** 375ARXL  
**Size:** 10                               **Orientation:** H                               **Meters:**  
**Manual:** 9                               **0.25% Pb:** Yes                               **Spare Parts Only:** No  
**Approved:** 16-Jun-2010               **Renewed:** 16-Jun-2022                       **Bypass:**  
**Shutoffs:** (ppp),qqq,sss,ttt,www,yyy,zzz,dddd,eeee,ssss,uuuu,vvvv,xxxx,yyyy,aaaaa  
**Notes:** Integral grooved spool between the #2 ck and #2 SOV - assembly length: min. 61 3/8" and max. 100 5/8"

---

**Type:** RP                               **Manufacturer:** Wilkins                       **Model:** 375AST  
**Size:** 2 1/2                               **Orientation:** H                               **Meters:**  
**Manual:** 10                               **0.25% Pb:** Yes                               **Spare Parts Only:** No  
**Approved:** 12-Jun-2015               **Renewed:** 12-Jun-2021                       **Bypass:**  
**Shutoffs:** (yyy),ssss,uuuu,vvvv,xxxx,yyyy,aaaaa,kkkkk,lllll,gggggg,iiiiii,jjjjj,lllll,mmmmmm,oooooo

**Type:** RP                               **Manufacturer:** Wilkins                       **Model:** 375AST  
**Size:** 3                               **Orientation:** H                               **Meters:**  
**Manual:** 10                               **0.25% Pb:** Yes                               **Spare Parts Only:** No  
**Approved:** 12-Jun-2015               **Renewed:** 12-Jun-2021                       **Bypass:**  
**Shutoffs:** (yyy),ssss,uuuu,vvvv,xxxx,yyyy,aaaaa,kkkkk,lllll,gggggg,iiiiii,jjjjj,lllll,mmmmmm,oooooo



**Type:** RP **Manufacturer:** Wilkins **Model:** 375ASTMS  
**Size:** 6 **Orientation:** H **Meters:**  
**Manual:** 10 **0.25% Pb:** Yes **Spare Parts Only:** No  
**Approved:** 05-Nov-2014 **Renewed:** 05-Nov-2020 **Bypass:**  
**Shutoffs:** (yyy),ssss,uuuu,vvvv,xxxx,yyyy,aaaaa,kkkkk,llll

---

**Type:** RP **Manufacturer:** Wilkins **Model:** 375ASTMS  
**Size:** 8 **Orientation:** H **Meters:**  
**Manual:** 10 **0.25% Pb:** Yes **Spare Parts Only:** No  
**Approved:** 05-Nov-2014 **Renewed:** 05-Nov-2020 **Bypass:**  
**Shutoffs:** (yyy),ssss,uuuu,vvvv,xxxx,yyyy,aaaaa,kkkkk,llll

---

**Type:** RP **Manufacturer:** Wilkins **Model:** 375ASTMS  
**Size:** 10 **Orientation:** H **Meters:**  
**Manual:** 10 **0.25% Pb:** Yes **Spare Parts Only:** No  
**Approved:** 05-Nov-2014 **Renewed:** 05-Nov-2020 **Bypass:**  
**Shutoffs:** (yyy),ssss,uuuu,vvvv,xxxx,yyyy,aaaaa,kkkkk,llll

---

**Type:** RP **Manufacturer:** Wilkins **Model:** 375ASTR  
**Size:** 2 1/2 **Orientation:** H **Meters:**  
**Manual:** 10 **0.25% Pb:** Yes **Spare Parts Only:** No  
**Approved:** 12-Jun-2015 **Renewed:** 12-Jun-2021 **Bypass:**  
**Shutoffs:** (yyy),ssss,uuuu,vvvv,xxxx,yyyy,aaaaa,kkkkk,llll,gggggg,iiiiii,jjjjjj,lllll,mmmmmm,oooooo  
**Notes:** Integral Stainless Steel grooved spool between the #2 ck and #2 SOV - assembly length: min. 31" and max. 47 1/8"

---

**Type:** RP **Manufacturer:** Wilkins **Model:** 375ASTR  
**Size:** 3 **Orientation:** H **Meters:**  
**Manual:** 10 **0.25% Pb:** Yes **Spare Parts Only:** No  
**Approved:** 12-Jun-2015 **Renewed:** 12-Jun-2021 **Bypass:**  
**Shutoffs:** (yyy),ssss,uuuu,vvvv,xxxx,yyyy,aaaaa,kkkkk,llll,gggggg,iiiiii,jjjjjj,lllll,mmmmmm,oooooo  
**Notes:** Integral Stainless Steel grooved spool between the #2 ck and #2 SOV - assembly length: min. 31 1/2" and max. 48 1/8"

---

**Type:** RP **Manufacturer:** Wilkins **Model:** 375ASTR  
**Size:** 4 **Orientation:** H **Meters:**  
**Manual:** 10 **0.25% Pb:** Yes **Spare Parts Only:** No  
**Approved:** 31-May-2012 **Renewed:** 31-May-2021 **Bypass:**  
**Shutoffs:** (yyy),ssss,uuuu,vvvv,xxxx,yyyy,aaaaa,kkkkk,llll,gggggg,iiiiii,jjjjjj,lllll,mmmmmm,oooooo  
**Notes:** Integral Stainless Steel grooved spool between the #2 ck and #2 SOV - assembly length: min. 32 5/8" and max. 62 1/4"

**Type:** RP    **Manufacturer:** Wilkins    **Model:** 375ASTR  
**Size:** 6    **Orientation:** H    **Meters:**  
**Manual:** 10    **0.25% Pb:** Yes    **Spare Parts Only:** No  
**Approved:** 05-Nov-2013    **Renewed:** 05-Nov-2019    **Bypass:**  
**Shutoffs:** (yyy),ssss,uuuu,vvvv,xxxx,yyyy,aaaaa,kkkkk,lllll,gggggg,iiiiii,jjjjjj,lllll,mmmmmm,oooooo  
**Notes:** Integral Stainless Steel grooved spool between the #2 ck and #2 SOV - assembly length: min. 39" and max. 71 1/4"

---

**Type:** RP    **Manufacturer:** Wilkins    **Model:** 375ASTR  
**Size:** 8    **Orientation:** H    **Meters:**  
**Manual:** 10    **0.25% Pb:** Yes    **Spare Parts Only:** No  
**Approved:** 23-Jan-2014    **Renewed:** 23-Jan-2020    **Bypass:**  
**Shutoffs:** (yyy),ssss,uuuu,vvvv,xxxx,yyyy,aaaaa,kkkkk,lllll,gggggg,iiiiii,jjjjjj,lllll,mmmmmm,oooooo  
**Notes:** Integral Stainless Steel grooved spool between the #2 ck and #2 SOV - assembly length: min. 48 3/4" and max. 86"

---

**Type:** RP    **Manufacturer:** Wilkins    **Model:** 375ASTR  
**Size:** 10    **Orientation:** H    **Meters:**  
**Manual:** 10    **0.25% Pb:** Yes    **Spare Parts Only:** No  
**Approved:** 23-Jan-2014    **Renewed:** 23-Jan-2020    **Bypass:**  
**Shutoffs:** (yyy),ssss,uuuu,vvvv,xxxx,yyyy,aaaaa,kkkkk,lllll,gggggg,iiiiii,jjjjjj,lllll,mmmmmm,oooooo  
**Notes:** Integral Stainless Steel grooved spool between the #2 ck and #2 SOV - assembly length: min. 52 5/8" and max. 100 5/8"

---

**Type:** RP    **Manufacturer:** Wilkins    **Model:** 375ASTRMS  
**Size:** 2 1/2    **Orientation:** H    **Meters:**  
**Manual:** 10    **0.25% Pb:** Yes    **Spare Parts Only:** No  
**Approved:** 05-Nov-2014    **Renewed:** 05-Nov-2020    **Bypass:**  
**Shutoffs:** (yyy),ssss,uuuu,vvvv,xxxx,yyyy,aaaaa,kkkkk,lllll  
**Notes:** Integral Stainless Steel grooved spool between the #2 ck and #2 SOV - assembly length: min. 31" and max. 47 1/8"

---

**Type:** RP    **Manufacturer:** Wilkins    **Model:** 375ASTRMS  
**Size:** 3    **Orientation:** H    **Meters:**  
**Manual:** 10    **0.25% Pb:** Yes    **Spare Parts Only:** No  
**Approved:** 05-Nov-2014    **Renewed:** 05-Nov-2020    **Bypass:**  
**Shutoffs:** (yyy),ssss,uuuu,vvvv,xxxx,yyyy,aaaaa,kkkkk,lllll  
**Notes:** Integral Stainless Steel grooved spool between the #2 ck and #2 SOV - assembly length: min. 31 1/2" and max. 48 1/8"

**Type:** RP   **Manufacturer:** Wilkins   **Model:** 375ASTRMS  
**Size:** 4   **Orientation:** H   **Meters:**  
**Manual:** 10   **0.25% Pb:** Yes   **Spare Parts Only:** No  
**Approved:** 05-Nov-2014   **Renewed:** 05-Nov-2020   **Bypass:**  
**Shutoffs:** (yyy),ssss,uuuu,vvvv,xxxx,yyyy,aaaaa,kkkkk,lllll  
**Notes:** Integral Stainless Steel grooved spool between the #2 ck and #2 SOV - assembly length: min. 32 5/8" and max. 62 1/4"

---

**Type:** RP   **Manufacturer:** Wilkins   **Model:** 375ASTRMS  
**Size:** 6   **Orientation:** H   **Meters:**  
**Manual:** 10   **0.25% Pb:** Yes   **Spare Parts Only:** No  
**Approved:** 05-Nov-2014   **Renewed:** 05-Nov-2020   **Bypass:**  
**Shutoffs:** (yyy),ssss,uuuu,vvvv,xxxx,yyyy,aaaaa,kkkkk,lllll  
**Notes:** Integral Stainless Steel grooved spool between the #2 ck and #2 SOV - assembly length: min. 39" and max. 71 1/4"

---

**Type:** RP   **Manufacturer:** Wilkins   **Model:** 375ASTRMS  
**Size:** 8   **Orientation:** H   **Meters:**  
**Manual:** 10   **0.25% Pb:** Yes   **Spare Parts Only:** No  
**Approved:** 05-Nov-2014   **Renewed:** 05-Nov-2020   **Bypass:**  
**Shutoffs:** (yyy),ssss,uuuu,vvvv,xxxx,yyyy,aaaaa,kkkkk,lllll  
**Notes:** Integral Stainless Steel grooved spool between the #2 ck and #2 SOV - assembly length: min. 48 3/4" and max. 86"

---

**Type:** RP   **Manufacturer:** Wilkins   **Model:** 375ASTRMS  
**Size:** 10   **Orientation:** H   **Meters:**  
**Manual:** 10   **0.25% Pb:** Yes   **Spare Parts Only:** No  
**Approved:** 05-Nov-2014   **Renewed:** 05-Nov-2020   **Bypass:**  
**Shutoffs:** (yyy),ssss,uuuu,vvvv,xxxx,yyyy,aaaaa,kkkkk,lllll  
**Notes:** Integral Stainless Steel grooved spool between the #2 ck and #2 SOV - assembly length: min. 52 5/8" and max. 100 5/8"

---

**Type:** RP   **Manufacturer:** Wilkins   **Model:** 375ASTRW1  
**Size:** 2 1/2   **Orientation:** H   **Meters:**  
**Manual:** 10   **0.25% Pb:** Yes   **Spare Parts Only:** No  
**Approved:** 16-Jan-2019   **Renewed:** 16-Jan-2022   **Bypass:**  
**Shutoffs:** (yyy),ssss,uuuu,vvvv,xxxx,yyyy,aaaaa,kkkkk,lllll,gggggg,iiiiii,jjjjjj,llllll,mmmmmm,oooooo  
**Notes:** Integral Stainless Steel grooved spool between the #2 ck and #2 SOV - assembly length: min. 31" and max. 47 1/8"

**Type:** RP   **Manufacturer:** Wilkins   **Model:** 375ASTRW1  
**Size:** 3   **Orientation:** H   **Meters:**  
**Manual:** 10   **0.25% Pb:** Yes   **Spare Parts Only:** No  
**Approved:** 16-Jan-2019   **Renewed:** 16-Jan-2022   **Bypass:**  
**Shutoffs:** (yyy),ssss,uuuu,vvvv,xxxx,yyyy,aaaaa,kkkkk,lllll,gggggg,iiiiii,jjjjjj,lllll,mmmmmm,oooooo  
**Notes:** Integral Stainless Steel grooved spool between the #2 ck and #2 SOV - assembly length: min. 31 1/2" and max. 48 1/8"

---

**Type:** RP   **Manufacturer:** Wilkins   **Model:** 375ASTRW1  
**Size:** 4   **Orientation:** H   **Meters:**  
**Manual:** 10   **0.25% Pb:** Yes   **Spare Parts Only:** No  
**Approved:** 16-Jan-2019   **Renewed:** 16-Jan-2022   **Bypass:**  
**Shutoffs:** (yyy),ssss,uuuu,vvvv,xxxx,yyyy,aaaaa,kkkkk,lllll,gggggg,iiiiii,jjjjjj,lllll,mmmmmm,oooooo  
**Notes:** Integral Stainless Steel grooved spool between the #2 ck and #2 SOV - assembly length: min. 32 5/8" and max. 62 1/4"

---

**Type:** RP   **Manufacturer:** Wilkins   **Model:** 375ASTRW1  
**Size:** 6   **Orientation:** H   **Meters:**  
**Manual:** 10   **0.25% Pb:** Yes   **Spare Parts Only:** No  
**Approved:** 16-Jan-2019   **Renewed:** 16-Jan-2022   **Bypass:**  
**Shutoffs:** (yyy),ssss,uuuu,vvvv,xxxx,yyyy,aaaaa,kkkkk,lllll,gggggg,iiiiii,jjjjjj,lllll,mmmmmm,oooooo  
**Notes:** Integral Stainless Steel grooved spool between the #2 ck and #2 SOV - assembly length: min. 39" and max. 71 1/4"

---

**Type:** RP   **Manufacturer:** Wilkins   **Model:** 375ASTRW1  
**Size:** 8   **Orientation:** H   **Meters:**  
**Manual:** 10   **0.25% Pb:** Yes   **Spare Parts Only:** No  
**Approved:** 25-Apr-2019   **Renewed:** 25-Apr-2022   **Bypass:**  
**Shutoffs:** (yyy),ssss,uuuu,vvvv,xxxx,yyyy,aaaaa,kkkkk,lllll,gggggg,iiiiii,jjjjjj,lllll,mmmmmm,oooooo  
**Notes:** Integral Stainless Steel grooved spool between the #2 ck and #2 SOV - assembly length: min. 48 3/4" and max. 86"

---

**Type:** RP   **Manufacturer:** Wilkins   **Model:** 375ASTRW1  
**Size:** 10   **Orientation:** H   **Meters:**  
**Manual:** 10   **0.25% Pb:** Yes   **Spare Parts Only:** No  
**Approved:** 25-Apr-2019   **Renewed:** 25-Apr-2022   **Bypass:**  
**Shutoffs:** (yyy),ssss,uuuu,vvvv,xxxx,yyyy,aaaaa,kkkkk,lllll,gggggg,iiiiii,jjjjjj,lllll,mmmmmm,oooooo  
**Notes:** Integral Stainless Steel grooved spool between the #2 ck and #2 SOV - assembly length: min. 52 5/8" and max. 100 5/8"

<b>Type:</b> RP	<b>Manufacturer:</b> Wilkins	<b>Model:</b> 375ASTW1
<b>Size:</b> 2 1/2	<b>Orientation:</b> H	<b>Meters:</b>
<b>Manual:</b> 10	<b>0.25% Pb:</b> Yes	<b>Spare Parts Only:</b> No
<b>Approved:</b> 16-Jan-2019	<b>Renewed:</b> 16-Jan-2022	<b>Bypass:</b>
<b>Shutoffs:</b> (yyy),ssss,uuuu,vvvv,xxxx,yyyy,aaaaa,kkkkk,llll,gggggg,iiiiii,jjjjjj,lllll,mmmmmm,oooooo		

---

<b>Type:</b> RP	<b>Manufacturer:</b> Wilkins	<b>Model:</b> 375ASTW1
<b>Size:</b> 3	<b>Orientation:</b> H	<b>Meters:</b>
<b>Manual:</b> 10	<b>0.25% Pb:</b> Yes	<b>Spare Parts Only:</b> No
<b>Approved:</b> 16-Jan-2019	<b>Renewed:</b> 16-Jan-2022	<b>Bypass:</b>
<b>Shutoffs:</b> (yyy),ssss,uuuu,vvvv,xxxx,yyyy,aaaaa,kkkkk,llll,gggggg,iiiiii,jjjjjj,lllll,mmmmmm,oooooo		

---

<b>Type:</b> RP	<b>Manufacturer:</b> Wilkins	<b>Model:</b> 375ASTW1
<b>Size:</b> 4	<b>Orientation:</b> H	<b>Meters:</b>
<b>Manual:</b> 10	<b>0.25% Pb:</b> Yes	<b>Spare Parts Only:</b> No
<b>Approved:</b> 16-Jan-2019	<b>Renewed:</b> 16-Jan-2022	<b>Bypass:</b>
<b>Shutoffs:</b> (yyy),ssss,uuuu,vvvv,xxxx,yyyy,aaaaa,kkkkk,llll,gggggg,iiiiii,jjjjjj,lllll,mmmmmm,oooooo		

---

<b>Type:</b> RP	<b>Manufacturer:</b> Wilkins	<b>Model:</b> 375ASTW1
<b>Size:</b> 6	<b>Orientation:</b> H	<b>Meters:</b>
<b>Manual:</b> 10	<b>0.25% Pb:</b> Yes	<b>Spare Parts Only:</b> No
<b>Approved:</b> 16-Jan-2019	<b>Renewed:</b> 16-Jan-2022	<b>Bypass:</b>
<b>Shutoffs:</b> (yyy),ssss,uuuu,vvvv,xxxx,yyyy,aaaaa,kkkkk,llll,gggggg,iiiiii,jjjjjj,lllll,mmmmmm,oooooo		

---

<b>Type:</b> RP	<b>Manufacturer:</b> Wilkins	<b>Model:</b> 375ASTW1
<b>Size:</b> 8	<b>Orientation:</b> H	<b>Meters:</b>
<b>Manual:</b> 10	<b>0.25% Pb:</b> Yes	<b>Spare Parts Only:</b> No
<b>Approved:</b> 25-Apr-2019	<b>Renewed:</b> 25-Apr-2022	<b>Bypass:</b>
<b>Shutoffs:</b> (yyy),ssss,uuuu,vvvv,xxxx,yyyy,aaaaa,kkkkk,llll,gggggg,iiiiii,jjjjjj,lllll,mmmmmm,oooooo		

---

<b>Type:</b> RP	<b>Manufacturer:</b> Wilkins	<b>Model:</b> 375ASTW1
<b>Size:</b> 10	<b>Orientation:</b> H	<b>Meters:</b>
<b>Manual:</b> 10	<b>0.25% Pb:</b> Yes	<b>Spare Parts Only:</b> No
<b>Approved:</b> 25-Apr-2019	<b>Renewed:</b> 25-Apr-2022	<b>Bypass:</b>
<b>Shutoffs:</b> (yyy),ssss,uuuu,vvvv,xxxx,yyyy,aaaaa,kkkkk,llll,gggggg,iiiiii,jjjjjj,lllll,mmmmmm,oooooo		

---

**Type:** RP                                    **Manufacturer:** Wilkins                                    **Model:** 375AW1  
**Size:** 2 1/2                                    **Orientation:** H                                    **Meters:**  
**Manual:** 9                                    **0.25% Pb:** Yes                                    **Spare Parts Only:** No  
**Approved:** 12-Mar-2019                                    **Renewed:** 12-Mar-2022                                    **Bypass:**  
**Shutoffs:**  
(ppp),qqq,sss,ttt,www,yyy,zzz,dddd,eeee,ssss,uuuu,vvvv,xxxx,yyyy,aaaaa,kkkkk,lllll,gggggg,iiiii,jjjjj,lllll,mmmmmm,ooooo  
o

---

**Type:** RP                                    **Manufacturer:** Wilkins                                    **Model:** 375AW1  
**Size:** 3                                    **Orientation:** H                                    **Meters:**  
**Manual:** 9                                    **0.25% Pb:** Yes                                    **Spare Parts Only:** No  
**Approved:** 12-Mar-2019                                    **Renewed:** 12-Mar-2022                                    **Bypass:**  
**Shutoffs:**  
(ppp),qqq,sss,ttt,www,yyy,zzz,dddd,eeee,ssss,uuuu,vvvv,xxxx,yyyy,aaaaa,kkkkk,lllll,gggggg,iiiii,jjjjj,lllll,mmmmmm,ooooo  
o

---

**Type:** RP                                    **Manufacturer:** Wilkins                                    **Model:** 375AW1  
**Size:** 4                                    **Orientation:** H                                    **Meters:**  
**Manual:** 9                                    **0.25% Pb:** Yes                                    **Spare Parts Only:** No  
**Approved:** 12-Mar-2019                                    **Renewed:** 12-Mar-2022                                    **Bypass:**  
**Shutoffs:**  
(ppp),qqq,sss,ttt,www,yyy,zzz,dddd,eeee,ssss,uuuu,vvvv,xxxx,yyyy,aaaaa,kkkkk,lllll,gggggg,iiiii,jjjjj,lllll,mmmmmm,ooooo  
o

---

**Type:** RP                                    **Manufacturer:** Wilkins                                    **Model:** 375AW1  
**Size:** 6                                    **Orientation:** H                                    **Meters:**  
**Manual:** 9                                    **0.25% Pb:** Yes                                    **Spare Parts Only:** No  
**Approved:** 12-Mar-2019                                    **Renewed:** 12-Mar-2022                                    **Bypass:**  
**Shutoffs:**  
(ppp),qqq,sss,ttt,www,yyy,zzz,dddd,eeee,ssss,uuuu,vvvv,xxxx,yyyy,aaaaa,kkkkk,lllll,gggggg,iiiii,jjjjj,lllll,mmmmmm,ooooo  
o

---

**Type:** RP                                    **Manufacturer:** Wilkins                                    **Model:** 375AW1  
**Size:** 8                                    **Orientation:** H                                    **Meters:**  
**Manual:** 9                                    **0.25% Pb:** Yes                                    **Spare Parts Only:** No  
**Approved:** 25-Apr-2019                                    **Renewed:** 25-Apr-2022                                    **Bypass:**  
**Shutoffs:** (ppp),qqq,sss,ttt,www,yyy,ssss,uuuu,vvvv,xxxx,yyyy,aaaaa,kkkkk,lllll,gggggg,iiiii,jjjjj,lllll,mmmmmm,ooooo



**Type:** RP                                      **Manufacturer:** Wilkins                                      **Model:** 375AW1  
**Size:** 10                                      **Orientation:** H                                      **Meters:**  
**Manual:** 9                                      **0.25% Pb:** Yes                                      **Spare Parts Only:** No  
**Approved:** 25-Apr-2019                                      **Renewed:** 25-Apr-2022                                      **Bypass:**  
**Shutoffs:** (ppp),qqq,sss,ttt,www,yyy,ssss,uuuu,vvvv,xxxx,yyyy,aaaaa,kkkkk,lllll,ggggg,iiiiii,jjjjj,lllll,mmmmmm,ooooo

---

**Type:** RP                                      **Manufacturer:** Wilkins                                      **Model:** 375AXL  
**Size:** 2 1/2                                      **Orientation:** H                                      **Meters:**  
**Manual:** 9                                      **0.25% Pb:** No                                      **Spare Parts Only:** No  
**Approved:** 14-Apr-2010                                      **Renewed:** 14-Apr-2022                                      **Bypass:**  
**Shutoffs:** dddd

---

**Type:** RP                                      **Manufacturer:** Wilkins                                      **Model:** 375AXL  
**Size:** 2 1/2                                      **Orientation:** H                                      **Meters:**  
**Manual:** 9                                      **0.25% Pb:** Yes                                      **Spare Parts Only:** No  
**Approved:** 14-Apr-2010                                      **Renewed:** 14-Apr-2022                                      **Bypass:**  
**Shutoffs:** (ppp),qqq,sss,ttt,yyy,zzz

---

**Type:** RP                                      **Manufacturer:** Wilkins                                      **Model:** 375AXL  
**Size:** 3                                      **Orientation:** H                                      **Meters:**  
**Manual:** 9                                      **0.25% Pb:** No                                      **Spare Parts Only:** No  
**Approved:** 14-Apr-2010                                      **Renewed:** 14-Apr-2022                                      **Bypass:**  
**Shutoffs:** dddd

---

**Type:** RP                                      **Manufacturer:** Wilkins                                      **Model:** 375AXL  
**Size:** 3                                      **Orientation:** H                                      **Meters:**  
**Manual:** 9                                      **0.25% Pb:** Yes                                      **Spare Parts Only:** No  
**Approved:** 14-Apr-2010                                      **Renewed:** 14-Apr-2022                                      **Bypass:**  
**Shutoffs:** (ppp),qqq,sss,ttt,yyy,zzz

---

**Type:** RP                                      **Manufacturer:** Wilkins                                      **Model:** 375AXL  
**Size:** 4                                      **Orientation:** H                                      **Meters:**  
**Manual:** 9                                      **0.25% Pb:** No                                      **Spare Parts Only:** No  
**Approved:** 14-Apr-2010                                      **Renewed:** 14-Apr-2022                                      **Bypass:**  
**Shutoffs:** dddd,eeee

---

**Type:** RP                                      **Manufacturer:** Wilkins                                      **Model:** 375AXL  
**Size:** 4                                      **Orientation:** H                                      **Meters:**  
**Manual:** 9                                      **0.25% Pb:** Yes                                      **Spare Parts Only:** No  
**Approved:** 14-Apr-2010                                      **Renewed:** 14-Apr-2022                                      **Bypass:**  
**Shutoffs:** (ppp),qqq,sss,ttt,www,yyy,zzz,ssss,uuuu,vvvv,xxxx,yyyy,aaaaa

<b>Type:</b> RP	<b>Manufacturer:</b> Wilkins	<b>Model:</b> 375AXL
<b>Size:</b> 6	<b>Orientation:</b> H	<b>Meters:</b>
<b>Manual:</b> 9	<b>0.25% Pb:</b> No	<b>Spare Parts Only:</b> No
<b>Approved:</b> 14-Apr-2010	<b>Renewed:</b> 14-Apr-2022	<b>Bypass:</b>
<b>Shutoffs:</b> dddd,eeee		

---

<b>Type:</b> RP	<b>Manufacturer:</b> Wilkins	<b>Model:</b> 375AXL
<b>Size:</b> 6	<b>Orientation:</b> H	<b>Meters:</b>
<b>Manual:</b> 9	<b>0.25% Pb:</b> Yes	<b>Spare Parts Only:</b> No
<b>Approved:</b> 14-Apr-2010	<b>Renewed:</b> 14-Apr-2022	<b>Bypass:</b>
<b>Shutoffs:</b> (ppp),qqq,sss,ttt,www,yyy,zzz,ssss,uuuu,vvvv,xxxx,yyyy,aaaa		

---

<b>Type:</b> RP	<b>Manufacturer:</b> Wilkins	<b>Model:</b> 375AXL
<b>Size:</b> 8	<b>Orientation:</b> H	<b>Meters:</b>
<b>Manual:</b> 9	<b>0.25% Pb:</b> No	<b>Spare Parts Only:</b> No
<b>Approved:</b> 18-Feb-2010	<b>Renewed:</b> 18-Feb-2022	<b>Bypass:</b>
<b>Shutoffs:</b> zzz,dddd,eeee		

---

<b>Type:</b> RP	<b>Manufacturer:</b> Wilkins	<b>Model:</b> 375AXL
<b>Size:</b> 8	<b>Orientation:</b> H	<b>Meters:</b>
<b>Manual:</b> 9	<b>0.25% Pb:</b> Yes	<b>Spare Parts Only:</b> No
<b>Approved:</b> 18-Feb-2010	<b>Renewed:</b> 18-Feb-2022	<b>Bypass:</b>
<b>Shutoffs:</b> (ppp),qqq,sss,ttt,www,yyy,ssss,uuuu,vvvv,xxxx,yyyy,aaaa		

---

<b>Type:</b> RP	<b>Manufacturer:</b> Wilkins	<b>Model:</b> 375AXL
<b>Size:</b> 10	<b>Orientation:</b> H	<b>Meters:</b>
<b>Manual:</b> 9	<b>0.25% Pb:</b> No	<b>Spare Parts Only:</b> No
<b>Approved:</b> 18-Feb-2010	<b>Renewed:</b> 18-Feb-2022	<b>Bypass:</b>
<b>Shutoffs:</b> zzz,dddd,eeee		

---

<b>Type:</b> RP	<b>Manufacturer:</b> Wilkins	<b>Model:</b> 375AXL
<b>Size:</b> 10	<b>Orientation:</b> H	<b>Meters:</b>
<b>Manual:</b> 9	<b>0.25% Pb:</b> Yes	<b>Spare Parts Only:</b> No
<b>Approved:</b> 18-Feb-2010	<b>Renewed:</b> 18-Feb-2022	<b>Bypass:</b>
<b>Shutoffs:</b> (ppp),qqq,sss,ttt,www,yyy,ssss,uuuu,vvvv,xxxx,yyyy,aaaa		

**Type:** RP **Manufacturer:** Wilkins **Model:** 375B  
**Size:** 1/2 **Orientation:** H **Meters:**  
**Manual:** 9 **0.25% Pb:** No **Spare Parts Only:** No  
**Approved:** 08-Nov-2012 **Renewed:** 08-Nov-2021 **Bypass:**  
**Shutoffs:** (int)  
**Notes:** Testcocks: Female Threaded End or 45 degree male SAE flare

---

**Type:** RP **Manufacturer:** Wilkins **Model:** 375B  
**Size:** 3/4 **Orientation:** H **Meters:**  
**Manual:** 9 **0.25% Pb:** No **Spare Parts Only:** No  
**Approved:** 08-Nov-2012 **Renewed:** 08-Nov-2021 **Bypass:**  
**Shutoffs:** (int)  
**Notes:** Testcocks: Female Threaded End or 45 degree male SAE flare

---

**Type:** RP **Manufacturer:** Wilkins **Model:** 375B  
**Size:** 1 **Orientation:** H **Meters:**  
**Manual:** 9 **0.25% Pb:** No **Spare Parts Only:** No  
**Approved:** 08-Nov-2012 **Renewed:** 08-Nov-2021 **Bypass:**  
**Shutoffs:** (int)  
**Notes:** Testcocks: Female Threaded End or 45 degree male SAE flare

---

**Type:** RP **Manufacturer:** Wilkins **Model:** 375B  
**Size:** 1 1/4 **Orientation:** H **Meters:**  
**Manual:** 9 **0.25% Pb:** No **Spare Parts Only:** No  
**Approved:** 08-Nov-2012 **Renewed:** 08-Nov-2021 **Bypass:**  
**Shutoffs:** (int)

---

**Type:** RP **Manufacturer:** Wilkins **Model:** 375B  
**Size:** 1 1/2 **Orientation:** H **Meters:**  
**Manual:** 9 **0.25% Pb:** No **Spare Parts Only:** No  
**Approved:** 08-Nov-2012 **Renewed:** 08-Nov-2021 **Bypass:**  
**Shutoffs:** (int)

---

**Type:** RP **Manufacturer:** Wilkins **Model:** 375B  
**Size:** 2 **Orientation:** H **Meters:**  
**Manual:** 9 **0.25% Pb:** No **Spare Parts Only:** No  
**Approved:** 08-Nov-2012 **Renewed:** 08-Nov-2021 **Bypass:**  
**Shutoffs:** (int)

**Type:** RP **Manufacturer:** Wilkins **Model:** 375MS  
**Size:** 2 1/2 **Orientation:** H **Meters:**  
**Manual:** 9 **0.25% Pb:** No **Spare Parts Only:** No  
**Approved:** 03-Jul-2003 **Renewed:** 03-Jul-2021 **Bypass:**  
**Shutoffs:** (gg),ee,ff,hh,ll,mm,tt,uu,yy,zz,ppp,qqq,zzz,dddd,ssss,tttt,vvvv,wwww,yyyy,zzzz,kkkkk  
**Notes:** Up to serial number L61205

---

**Type:** RP **Manufacturer:** Wilkins **Model:** 375MS  
**Size:** 2 1/2 **Orientation:** H **Meters:**  
**Manual:** 9 **0.25% Pb:** Yes **Spare Parts Only:** No  
**Approved:** 09-Sep-2010 **Renewed:** 09-Sep-2019 **Bypass:**  
**Shutoffs:** (gg),hh,ppp,qqq,ssss,tttt,vvvv,wwww,yyyy,zzzz,kkkkk  
**Notes:** Serial number L61205 and higher

---

**Type:** RP **Manufacturer:** Wilkins **Model:** 375MS  
**Size:** 3 **Orientation:** H **Meters:**  
**Manual:** 9 **0.25% Pb:** No **Spare Parts Only:** No  
**Approved:** 03-Jul-2003 **Renewed:** 03-Jul-2021 **Bypass:**  
**Shutoffs:** (gg),ee,ff,hh,ll,mm,tt,uu,yy,zz,ppp,qqq,zzz,dddd,ssss,tttt,vvvv,wwww,yyyy,zzzz,kkkkk  
**Notes:** Up to serial number L61205

---

**Type:** RP **Manufacturer:** Wilkins **Model:** 375MS  
**Size:** 3 **Orientation:** H **Meters:**  
**Manual:** 9 **0.25% Pb:** Yes **Spare Parts Only:** No  
**Approved:** 09-Sep-2010 **Renewed:** 09-Sep-2019 **Bypass:**  
**Shutoffs:** (gg),hh,ppp,qqq,ssss,tttt,vvvv,wwww,yyyy,zzzz,kkkkk  
**Notes:** Serial number L61205 and higher

---

**Type:** RP **Manufacturer:** Wilkins **Model:** 375MS  
**Size:** 4 **Orientation:** H **Meters:**  
**Manual:** 9 **0.25% Pb:** No **Spare Parts Only:** No  
**Approved:** 03-Jul-2003 **Renewed:** 03-Jul-2021 **Bypass:**  
**Shutoffs:** (gg),ee,ff,hh,ll,mm,tt,uu,yy,zz,ppp,qqq,vvv,www,zzz,dddd,eeee,ssss,tttt,vvvv,wwww,yyyy,zzzz,kkkkk  
**Notes:** Up to serial number L61205

---

**Type:** RP **Manufacturer:** Wilkins **Model:** 375MS  
**Size:** 4 **Orientation:** H **Meters:**  
**Manual:** 9 **0.25% Pb:** Yes **Spare Parts Only:** No  
**Approved:** 09-Sep-2010 **Renewed:** 09-Sep-2019 **Bypass:**  
**Shutoffs:** (gg),hh,ppp,qqq,vvv,www,,ssss,tttt,vvvv,wwww,yyyy,zzzz,kkkkk  
**Notes:** Serial number L61205 and higher



<b>Type:</b> RP	<b>Manufacturer:</b> Wilkins	<b>Model:</b> 375ST
<b>Size:</b> 1/2	<b>Orientation:</b> H	<b>Meters:</b>
<b>Manual:</b> 9	<b>0.25% Pb:</b> Yes	<b>Spare Parts Only:</b> No
<b>Approved:</b> 22-Feb-2011	<b>Renewed:</b> 22-Feb-2020	<b>Bypass:</b>
<b>Shutoffs:</b> (int)		

---

<b>Type:</b> RP	<b>Manufacturer:</b> Wilkins	<b>Model:</b> 375ST
<b>Size:</b> 3/4	<b>Orientation:</b> H	<b>Meters:</b>
<b>Manual:</b> 9	<b>0.25% Pb:</b> Yes	<b>Spare Parts Only:</b> No
<b>Approved:</b> 22-Feb-2011	<b>Renewed:</b> 22-Feb-2020	<b>Bypass:</b>
<b>Shutoffs:</b> (int)		

---

<b>Type:</b> RP	<b>Manufacturer:</b> Wilkins	<b>Model:</b> 375ST
<b>Size:</b> 1	<b>Orientation:</b> H	<b>Meters:</b>
<b>Manual:</b> 9	<b>0.25% Pb:</b> Yes	<b>Spare Parts Only:</b> No
<b>Approved:</b> 31-Oct-2011	<b>Renewed:</b> 31-Oct-2020	<b>Bypass:</b>
<b>Shutoffs:</b> int		

---

<b>Type:</b> RP	<b>Manufacturer:</b> Wilkins	<b>Model:</b> 375W1
<b>Size:</b> 2 1/2	<b>Orientation:</b> H	<b>Meters:</b>
<b>Manual:</b> 9	<b>0.25% Pb:</b> Yes	<b>Spare Parts Only:</b> No
<b>Approved:</b> 12-Mar-2019	<b>Renewed:</b> 12-Mar-2022	<b>Bypass:</b>
<b>Shutoffs:</b> (gg),hh,ppp,qqq,ssss,tttt,vvvv,wwww,yyyy,zzzz,kkkkk,gggggg,hhhhhh,jjjjj,kkkkkk,mmmmmm,nnnnnn		

---

<b>Type:</b> RP	<b>Manufacturer:</b> Wilkins	<b>Model:</b> 375W1
<b>Size:</b> 3	<b>Orientation:</b> H	<b>Meters:</b>
<b>Manual:</b> 9	<b>0.25% Pb:</b> Yes	<b>Spare Parts Only:</b> No
<b>Approved:</b> 12-Mar-2019	<b>Renewed:</b> 12-Mar-2022	<b>Bypass:</b>
<b>Shutoffs:</b> (gg),hh,ppp,qqq,ssss,tttt,vvvv,wwww,yyyy,zzzz,kkkkk,gggggg,hhhhhh,jjjjj,kkkkkk,mmmmmm,nnnnnn		

---

<b>Type:</b> RP	<b>Manufacturer:</b> Wilkins	<b>Model:</b> 375W1
<b>Size:</b> 4	<b>Orientation:</b> H	<b>Meters:</b>
<b>Manual:</b> 9	<b>0.25% Pb:</b> Yes	<b>Spare Parts Only:</b> No
<b>Approved:</b> 12-Mar-2019	<b>Renewed:</b> 12-Mar-2022	<b>Bypass:</b>
<b>Shutoffs:</b> (gg),hh,ppp,qqq,ssss,tttt,vvvv,wwww,yyyy,zzzz,kkkkk,gggggg,hhhhhh,jjjjj,kkkkkk,mmmmmm,nnnnnn		

---

<b>Type:</b> RP	<b>Manufacturer:</b> Wilkins	<b>Model:</b> 375W1
<b>Size:</b> 6	<b>Orientation:</b> H	<b>Meters:</b>
<b>Manual:</b> 9	<b>0.25% Pb:</b> Yes	<b>Spare Parts Only:</b> No
<b>Approved:</b> 12-Mar-2019	<b>Renewed:</b> 12-Mar-2022	<b>Bypass:</b>
<b>Shutoffs:</b> (gg),hh,ppp,qqq,ssss,tttt,vvvv,wwww,yyyy,zzzz,kkkkk,gggggg,hhhhhh,jjjjj,kkkkkk,mmmmmm,nnnnnn		

**Type:** RP                                    **Manufacturer:** Wilkins                                    **Model:** 375W1  
**Size:** 8                                        **Orientation:** H    **Meters:**  
**Manual:** 9                                     **0.25% Pb:** Yes     **Spare Parts Only:** No  
**Approved:** 25-Apr-2019                                    **Renewed:** 25-Apr-2022                                    **Bypass:**  
**Shutoffs:** (gg),hh,ppp,qqq,vvv,www,ssss,tttt,vvvv,wwww,yyyy,zzzz,kkkkk,gggggg,hhhhhh,jjjjjj,kkkkkk,mmmmmm,nnnnnn

---

**Type:** RP                                    **Manufacturer:** Wilkins                                    **Model:** 375W1  
**Size:** 10                                        **Orientation:** H    **Meters:**  
**Manual:** 9                                     **0.25% Pb:** Yes     **Spare Parts Only:** No  
**Approved:** 25-Apr-2019                                    **Renewed:** 25-Apr-2022                                    **Bypass:**  
**Shutoffs:** (gg),hh,ppp,qqq,vvv,www,ssss,tttt,vvvv,wwww,yyyy,zzzz,kkkkk,gggggg,hhhhhh,jjjjjj,kkkkkk,mmmmmm,nnnnnn

---

**Type:** RP                                    **Manufacturer:** Wilkins                                    **Model:** 375XL  
**Size:** 1/2                                        **Orientation:** H    **Meters:**  
**Manual:** 9                                     **0.25% Pb:** Yes     **Spare Parts Only:** No  
**Approved:** 07-Apr-2009                                    **Renewed:** 07-Apr-2021                                    **Bypass:**  
**Shutoffs:** (int)  
**Notes:** Testcocks: Female Threaded End or 45 degree male SAE flare

---

**Type:** RP                                    **Manufacturer:** Wilkins                                    **Model:** 375XL  
**Size:** 3/4                                        **Orientation:** H    **Meters:**  
**Manual:** 9                                     **0.25% Pb:** Yes     **Spare Parts Only:** No  
**Approved:** 09-Mar-2007                                    **Renewed:** 09-Mar-2022                                    **Bypass:**  
**Shutoffs:** (int)  
**Notes:** Testcocks: Female Threaded End or 45 degree male SAE flare

---

**Type:** RP                                    **Manufacturer:** Wilkins                                    **Model:** 375XL  
**Size:** 1    **Orientation:** H    **Meters:**  
**Manual:** 9                                     **0.25% Pb:** Yes     **Spare Parts Only:** No  
**Approved:** 09-Mar-2007                                    **Renewed:** 09-Mar-2022                                    **Bypass:**  
**Shutoffs:** (int)  
**Notes:** Testcocks: Female Threaded End or 45 degree male SAE flare

---

**Type:** RP                                    **Manufacturer:** Wilkins                                    **Model:** 375XL  
**Size:** 1 1/4                                        **Orientation:** H    **Meters:**  
**Manual:** 9                                     **0.25% Pb:** Yes     **Spare Parts Only:** No  
**Approved:** 20-Apr-2010                                    **Renewed:** 20-Apr-2022                                    **Bypass:**  
**Shutoffs:** (int)

**Type:** RP  
**Size:** 1 1/2  
**Manual:** 9  
**Approved:** 20-Apr-2010  
**Shutoffs:** (int)

**Manufacturer:** Wilkins  
**Orientation:** H  
**0.25% Pb:** Yes  
**Renewed:** 20-Apr-2022

**Model:** 375XL  
**Meters:**  
**Spare Parts Only:** No  
**Bypass:**

---

**Type:** RP  
**Size:** 2  
**Manual:** 9  
**Approved:** 20-Apr-2010  
**Shutoffs:** (int)

**Manufacturer:** Wilkins  
**Orientation:** H  
**0.25% Pb:** Yes  
**Renewed:** 20-Apr-2022

**Model:** 375XL  
**Meters:**  
**Spare Parts Only:** No  
**Bypass:**

---

**Type:** RP  
**Size:** 2 1/2  
**Manual:** 9  
**Approved:** 14-Apr-2010  
**Shutoffs:** ee,ff,ll,mm,tt,uu,yy,zz,zzz,dddd

**Manufacturer:** Wilkins  
**Orientation:** H  
**0.25% Pb:** No  
**Renewed:** 14-Apr-2022

**Model:** 375XL  
**Meters:**  
**Spare Parts Only:** No  
**Bypass:**

---

**Type:** RP  
**Size:** 2 1/2  
**Manual:** 9  
**Approved:** 14-Apr-2010  
**Shutoffs:** (gg),hh,ppp,qqq,ssss,tttt,vvvv,www,yyyy,zzzz

**Manufacturer:** Wilkins  
**Orientation:** H  
**0.25% Pb:** Yes  
**Renewed:** 14-Apr-2022

**Model:** 375XL  
**Meters:**  
**Spare Parts Only:** No  
**Bypass:**

---

**Type:** RP  
**Size:** 3  
**Manual:** 9  
**Approved:** 14-Apr-2010  
**Shutoffs:** ee,ff,ll,mm,tt,uu,yy,zz,zzz,dddd

**Manufacturer:** Wilkins  
**Orientation:** H  
**0.25% Pb:** No  
**Renewed:** 14-Apr-2022

**Model:** 375XL  
**Meters:**  
**Spare Parts Only:** No  
**Bypass:**

---

**Type:** RP  
**Size:** 3  
**Manual:** 9  
**Approved:** 14-Apr-2010  
**Shutoffs:** (gg),hh,ppp,qqq,ssss,tttt,vvvv,www,yyyy,zzzz

**Manufacturer:** Wilkins  
**Orientation:** H  
**0.25% Pb:** Yes  
**Renewed:** 14-Apr-2022

**Model:** 375XL  
**Meters:**  
**Spare Parts Only:** No  
**Bypass:**

---

**Type:** RP  
**Size:** 4  
**Manual:** 9  
**Approved:** 14-Apr-2010  
**Shutoffs:** ee,ff,ll,mm,tt,uu,yy,zz,zzz,dddd,eeee

**Manufacturer:** Wilkins  
**Orientation:** H  
**0.25% Pb:** No  
**Renewed:** 14-Apr-2022

**Model:** 375XL  
**Meters:**  
**Spare Parts Only:** No  
**Bypass:**





**Type:** RP                                      **Manufacturer:** Wilkins                                      **Model:** 375XLB  
**Size:** 1/2                                      **Orientation:** H                                      **Meters:**  
**Manual:** 9                                      **0.25% Pb:** Yes                                      **Spare Parts Only:** No  
**Approved:** 08-Nov-2012                                      **Renewed:** 08-Nov-2021                                      **Bypass:**  
**Shutoffs:** (int)  
**Notes:** Testcocks: Female Threaded End or 45 degree male SAE flare

---

**Type:** RP                                      **Manufacturer:** Wilkins                                      **Model:** 375XLB  
**Size:** 3/4                                      **Orientation:** H                                      **Meters:**  
**Manual:** 9                                      **0.25% Pb:** Yes                                      **Spare Parts Only:** No  
**Approved:** 08-Nov-2012                                      **Renewed:** 08-Nov-2021                                      **Bypass:**  
**Shutoffs:** (int)  
**Notes:** Testcocks: Female Threaded End or 45 degree male SAE flare

---

**Type:** RP                                      **Manufacturer:** Wilkins                                      **Model:** 375XLB  
**Size:** 1                                      **Orientation:** H                                      **Meters:**  
**Manual:** 9                                      **0.25% Pb:** Yes                                      **Spare Parts Only:** No  
**Approved:** 08-Nov-2012                                      **Renewed:** 08-Nov-2021                                      **Bypass:**  
**Shutoffs:** (int)  
**Notes:** Testcocks: Female Threaded End or 45 degree male SAE flare

---

**Type:** RP                                      **Manufacturer:** Wilkins                                      **Model:** 375XLB  
**Size:** 1 1/4                                      **Orientation:** H                                      **Meters:**  
**Manual:** 9                                      **0.25% Pb:** Yes                                      **Spare Parts Only:** No  
**Approved:** 08-Nov-2012                                      **Renewed:** 08-Nov-2021                                      **Bypass:**  
**Shutoffs:** (int)

---

**Type:** RP                                      **Manufacturer:** Wilkins                                      **Model:** 375XLB  
**Size:** 1 1/2                                      **Orientation:** H                                      **Meters:**  
**Manual:** 9                                      **0.25% Pb:** Yes                                      **Spare Parts Only:** No  
**Approved:** 08-Nov-2012                                      **Renewed:** 08-Nov-2021                                      **Bypass:**  
**Shutoffs:** (int)

---

**Type:** RP                                      **Manufacturer:** Wilkins                                      **Model:** 375XLB  
**Size:** 2                                      **Orientation:** H                                      **Meters:**  
**Manual:** 9                                      **0.25% Pb:** Yes                                      **Spare Parts Only:** No  
**Approved:** 08-Nov-2012                                      **Renewed:** 08-Nov-2021                                      **Bypass:**  
**Shutoffs:** (int)

<b>Type:</b> RP	<b>Manufacturer:</b> Wilkins	<b>Model:</b> 375XLMS
<b>Size:</b> 2 1/2	<b>Orientation:</b> H	<b>Meters:</b>
<b>Manual:</b> 9	<b>0.25% Pb:</b> No	<b>Spare Parts Only:</b> No
<b>Approved:</b> 14-Apr-2010	<b>Renewed:</b> 14-Apr-2022	<b>Bypass:</b>
<b>Shutoffs:</b> ee,ff,ll,mm,tt,uu,yy,zz,zzz,dddd		

---

<b>Type:</b> RP	<b>Manufacturer:</b> Wilkins	<b>Model:</b> 375XLMS
<b>Size:</b> 2 1/2	<b>Orientation:</b> H	<b>Meters:</b>
<b>Manual:</b> 9	<b>0.25% Pb:</b> Yes	<b>Spare Parts Only:</b> No
<b>Approved:</b> 14-Apr-2010	<b>Renewed:</b> 14-Apr-2022	<b>Bypass:</b>
<b>Shutoffs:</b> (gg),hh,ppp,qqq,ssss,tttt,vvvv,www,yyyy,zzzz		

---

<b>Type:</b> RP	<b>Manufacturer:</b> Wilkins	<b>Model:</b> 375XLMS
<b>Size:</b> 3	<b>Orientation:</b> H	<b>Meters:</b>
<b>Manual:</b> 9	<b>0.25% Pb:</b> No	<b>Spare Parts Only:</b> No
<b>Approved:</b> 14-Apr-2010	<b>Renewed:</b> 14-Apr-2022	<b>Bypass:</b>
<b>Shutoffs:</b> ee,ff,ll,mm,tt,uu,yy,zz,zzz,dddd		

---

<b>Type:</b> RP	<b>Manufacturer:</b> Wilkins	<b>Model:</b> 375XLMS
<b>Size:</b> 3	<b>Orientation:</b> H	<b>Meters:</b>
<b>Manual:</b> 9	<b>0.25% Pb:</b> Yes	<b>Spare Parts Only:</b> No
<b>Approved:</b> 14-Apr-2010	<b>Renewed:</b> 14-Apr-2022	<b>Bypass:</b>
<b>Shutoffs:</b> (gg),hh,ppp,qqq,ssss,tttt,vvvv,www,yyyy,zzzz		

---

<b>Type:</b> RP	<b>Manufacturer:</b> Wilkins	<b>Model:</b> 375XLMS
<b>Size:</b> 4	<b>Orientation:</b> H	<b>Meters:</b>
<b>Manual:</b> 9	<b>0.25% Pb:</b> No	<b>Spare Parts Only:</b> No
<b>Approved:</b> 14-Apr-2010	<b>Renewed:</b> 14-Apr-2022	<b>Bypass:</b>
<b>Shutoffs:</b> ee,ff,ll,mm,tt,uu,yy,zzzzz,dddd,eeee		

---

<b>Type:</b> RP	<b>Manufacturer:</b> Wilkins	<b>Model:</b> 375XLMS
<b>Size:</b> 4	<b>Orientation:</b> H	<b>Meters:</b>
<b>Manual:</b> 9	<b>0.25% Pb:</b> Yes	<b>Spare Parts Only:</b> No
<b>Approved:</b> 14-Apr-2010	<b>Renewed:</b> 14-Apr-2022	<b>Bypass:</b>
<b>Shutoffs:</b> (gg),hh,ppp,qqq,vvv,www,,ssss,tttt,vvvv,www,yyyy,zzzz		

---

<b>Type:</b> RP	<b>Manufacturer:</b> Wilkins	<b>Model:</b> 375XLMS
<b>Size:</b> 6	<b>Orientation:</b> H	<b>Meters:</b>
<b>Manual:</b> 9	<b>0.25% Pb:</b> No	<b>Spare Parts Only:</b> No
<b>Approved:</b> 14-Apr-2010	<b>Renewed:</b> 14-Apr-2022	<b>Bypass:</b>
<b>Shutoffs:</b> ee,ff,ll,mm,tt,uu,yy,zz,dddd,eeee		

**Type:** RP    **Manufacturer:** Wilkins    **Model:** 375XLMS  
**Size:** 6    **Orientation:** H    **Meters:**  
**Manual:** 9    **0.25% Pb:** Yes    **Spare Parts Only:** No  
**Approved:** 14-Apr-2010    **Renewed:** 14-Apr-2022    **Bypass:**  
**Shutoffs:** (gg),hh,ppp,qqq,vvv,www,zzz,ssss,tttt,vvvv,wwww,yyyy,zzzz

---

**Type:** RP    **Manufacturer:** Wilkins    **Model:** 375XLMS  
**Size:** 8    **Orientation:** H    **Meters:**  
**Manual:** 9    **0.25% Pb:** No    **Spare Parts Only:** No  
**Approved:** 18-Feb-2010    **Renewed:** 18-Feb-2022    **Bypass:**  
**Shutoffs:** ee,ff,ll,mm,tt,uu,yy,zz,zzz,dddd,eeee

---

**Type:** RP    **Manufacturer:** Wilkins    **Model:** 375XLMS  
**Size:** 8    **Orientation:** H    **Meters:**  
**Manual:** 9    **0.25% Pb:** Yes    **Spare Parts Only:** No  
**Approved:** 18-Feb-2010    **Renewed:** 18-Feb-2022    **Bypass:**  
**Shutoffs:** gg,hh,ppp,qqq,vvv,www,ssss,tttt,vvvv,wwww,yyyy,zzzz

---

**Type:** RP    **Manufacturer:** Wilkins    **Model:** 375XLMS  
**Size:** 10    **Orientation:** H    **Meters:**  
**Manual:** 9    **0.25% Pb:** No    **Spare Parts Only:** No  
**Approved:** 18-Feb-2010    **Renewed:** 18-Feb-2022    **Bypass:**  
**Shutoffs:** ee,ff,ll,mm,tt,uu,yy,zz,zzz,dddd,eeee

---

**Type:** RP    **Manufacturer:** Wilkins    **Model:** 375XLMS  
**Size:** 10    **Orientation:** H    **Meters:**  
**Manual:** 9    **0.25% Pb:** Yes    **Spare Parts Only:** No  
**Approved:** 18-Feb-2010    **Renewed:** 18-Feb-2022    **Bypass:**  
**Shutoffs:** gg,hh,ppp,qqq,vvv,www,ssss,tttt,vvvv,wwww,yyyy,zzzz

---

**Type:** RP    **Manufacturer:** Wilkins    **Model:** 475  
**Size:** 2 1/2    **Orientation:** VUVD    **Meters:**  
**Manual:** 9    **0.25% Pb:** No    **Spare Parts Only:** No  
**Approved:** 24-Jan-2002    **Renewed:** 24-Jan-2020    **Bypass:**  
**Shutoffs:**  
(gg),ee,ff,hh,ll,mm,tt,uu,yy,zz,ppp,qqq,zzz,dddd,ssss,tttt,vvvv,wwww,yyyy,zzzz,kkkkk,gggggg,hhhhhh,jjjjjj,kkkkkk,mmmm  
mm,nnnnnn  
**Notes:** Up to serial number Q05664

**Type:** RP                                      **Manufacturer:** Wilkins                                      **Model:** 475  
**Size:** 2 1/2                                      **Orientation:** VUVD                                      **Meters:**  
**Manual:** 9                                      **0.25% Pb:** Yes                                      **Spare Parts Only:** No  
**Approved:** 09-Sep-2010                                      **Renewed:** 09-Sep-2019                                      **Bypass:**  
**Shutoffs:** (gg),hh,ppp,qqq,ssss,tttt,vvvv,wwww,yyyy,zzzz,kkkkk,gggggg,hhhhhh,jjjjjj,kkkkkk,mmmmmm,nnnnnn  
**Notes:** Serial number Q05664 and higher

---

**Type:** RP                                      **Manufacturer:** Wilkins                                      **Model:** 475  
**Size:** 3                                      **Orientation:** VUVD                                      **Meters:**  
**Manual:** 9                                      **0.25% Pb:** No                                      **Spare Parts Only:** No  
**Approved:** 24-Jan-2002                                      **Renewed:** 24-Jan-2020                                      **Bypass:**  
**Shutoffs:**  
(gg),ee,ff,hh,ll,mm,tt,uu,yy,zz,ppp,qqq,zzz,dddd,ssss,tttt,vvvv,wwww,yyyy,zzzz,kkkkk,gggggg,hhhhhh,jjjjjj,kkkkkk,mmmm  
mm,nnnnnn  
**Notes:** Up to serial number Q05664

---

**Type:** RP                                      **Manufacturer:** Wilkins                                      **Model:** 475  
**Size:** 3                                      **Orientation:** VUVD                                      **Meters:**  
**Manual:** 9                                      **0.25% Pb:** Yes                                      **Spare Parts Only:** No  
**Approved:** 09-Sep-2010                                      **Renewed:** 09-Sep-2019                                      **Bypass:**  
**Shutoffs:** (gg),hh,ppp,qqq,ssss,tttt,vvvv,wwww,yyyy,zzzz,kkkkk,gggggg,hhhhhh,jjjjjj,kkkkkk,mmmmmm,nnnnnn  
**Notes:** Serial number Q05664 and higher

---

**Type:** RP                                      **Manufacturer:** Wilkins                                      **Model:** 475  
**Size:** 4                                      **Orientation:** VUVD                                      **Meters:**  
**Manual:** 9                                      **0.25% Pb:** No                                      **Spare Parts Only:** No  
**Approved:** 27-Jul-2000                                      **Renewed:** 27-Jul-2021                                      **Bypass:**  
**Shutoffs:**  
(ppp),qqq,sss,ttt,www,yyy,zzz,dddd,eeee,ssss,uuuu,vvvv,xxxx,yyyy,aaaaa,kkkkk,lllll,gggggg,iiiiii,jjjjj,lllll,mmmmmm,ooooo  
o  
**Notes:** Up to serial number Q05664

---

**Type:** RP                                      **Manufacturer:** Wilkins                                      **Model:** 475  
**Size:** 4                                      **Orientation:** VUVD                                      **Meters:**  
**Manual:** 9                                      **0.25% Pb:** Yes                                      **Spare Parts Only:** No  
**Approved:** 09-Sep-2010                                      **Renewed:** 09-Sep-2019                                      **Bypass:**  
**Shutoffs:** (ppp),qqq,sss,ttt,www,yyy,ssss,uuuu,vvvv,xxxx,yyyy,aaaaa,kkkkk,lllll,gggggg,iiiiii,jjjjj,lllll,mmmmmm,ooooo  
**Notes:** Serial number Q05664 and higher

<b>Type:</b> RP	<b>Manufacturer:</b> Wilkins	<b>Model:</b> 475
<b>Size:</b> 6	<b>Orientation:</b> VUVD	<b>Meters:</b>
<b>Manual:</b> 9	<b>0.25% Pb:</b> No	<b>Spare Parts Only:</b> No
<b>Approved:</b> 27-Jul-2000	<b>Renewed:</b> 27-Jul-2021	<b>Bypass:</b>
<b>Shutoffs:</b> (ppp),qqq,sss,ttt,www,yyy,zzz,dddd,eeee,ssss,uuuu,vvvv,xxxx,yyyy,aaaaa,kkkkk,lllll,gggggg,iiiiii,jjjjj,lllll,mmmmmm,ooooo o		
<b>Notes:</b> Up to serial number Q05664		

---

<b>Type:</b> RP	<b>Manufacturer:</b> Wilkins	<b>Model:</b> 475
<b>Size:</b> 6	<b>Orientation:</b> VUVD	<b>Meters:</b>
<b>Manual:</b> 9	<b>0.25% Pb:</b> Yes	<b>Spare Parts Only:</b> No
<b>Approved:</b> 09-Sep-2010	<b>Renewed:</b> 09-Sep-2019	<b>Bypass:</b>
<b>Shutoffs:</b> (ppp),qqq,sss,ttt,www,yyy,ssss,uuuu,vvvv,xxxx,yyyy,aaaaa,kkkkk,lllll,gggggg,iiiiii,jjjjj,lllll,mmmmmm,ooooo		
<b>Notes:</b> Serial number Q05664 and higher		

---

<b>Type:</b> RP	<b>Manufacturer:</b> Wilkins	<b>Model:</b> 475
<b>Size:</b> 8	<b>Orientation:</b> VUVD	<b>Meters:</b>
<b>Manual:</b> 9	<b>0.25% Pb:</b> No	<b>Spare Parts Only:</b> No
<b>Approved:</b> 03-Jul-2003	<b>Renewed:</b> 03-Jul-2021	<b>Bypass:</b>
<b>Shutoffs:</b> (ppp),qqq,sss,ttt,www,yyy,zzz,dddd,eeee,ssss,uuuu,vvvv,xxxx,yyyy,aaaaa,kkkkk,lllll,gggggg,iiiiii,jjjjj,lllll,mmmmmm,ooooo o		
<b>Notes:</b> Up to serial number Q05664		

---

<b>Type:</b> RP	<b>Manufacturer:</b> Wilkins	<b>Model:</b> 475
<b>Size:</b> 8	<b>Orientation:</b> VUVD	<b>Meters:</b>
<b>Manual:</b> 9	<b>0.25% Pb:</b> Yes	<b>Spare Parts Only:</b> No
<b>Approved:</b> 09-Sep-2010	<b>Renewed:</b> 09-Sep-2019	<b>Bypass:</b>
<b>Shutoffs:</b> (ppp),qqq,sss,ttt,www,yyy,ssss,uuuu,vvvv,xxxx,yyyy,aaaaa,kkkkk,lllll,gggggg,iiiiii,jjjjj,lllll,mmmmmm,ooooo		
<b>Notes:</b> Serial number Q05664 and higher		

---

<b>Type:</b> RP	<b>Manufacturer:</b> Wilkins	<b>Model:</b> 475
<b>Size:</b> 10	<b>Orientation:</b> VUVD	<b>Meters:</b>
<b>Manual:</b> 9	<b>0.25% Pb:</b> No	<b>Spare Parts Only:</b> No
<b>Approved:</b> 22-Nov-2004	<b>Renewed:</b> 22-Nov-2019	<b>Bypass:</b>
<b>Shutoffs:</b> (ppp),qqq,sss,ttt,www,zzz,dddd,eeee,ssss,uuuu,vvvv,xxxx,yyyy,aaaaa,kkkkk,lllll,gggggg,iiiiii,jjjjj,lllll,mmmmmm,ooooo		
<b>Notes:</b> Up to serial number Q05664		

**Type:** RP                      **Manufacturer:** Wilkins                      **Model:** 475  
**Size:** 10                      **Orientation:** VUVD                      **Meters:**  
**Manual:** 9                      **0.25% Pb:** Yes                      **Spare Parts Only:** No  
**Approved:** 09-Sep-2010                      **Renewed:** 09-Sep-2019                      **Bypass:**  
**Shutoffs:** (ppp),qqq,sss,ttt,www,ssss,uuuu,vvvv,xxxx,yyyy,aaaaa,kkkkk,lllll,gggggg,iiiii,jjjjj,lllll,mmmmmm,ooooo  
**Notes:** Serial number Q05664 and higher

---

**Type:** RP                      **Manufacturer:** Wilkins                      **Model:** 475MS  
**Size:** 2 1/2                      **Orientation:** VUVD                      **Meters:**  
**Manual:** 9                      **0.25% Pb:** No                      **Spare Parts Only:** No  
**Approved:** 03-Jul-2003                      **Renewed:** 03-Jul-2021                      **Bypass:**  
**Shutoffs:** (gg),ee,ff,hh,ll,mm,tt,uu,yy,zz,ppp,qqq,zzz,dddd,ssss,uuuu,vvvv,xxxx,yyyy,aaaaa,kkkkk  
**Notes:** Up to serial number Q05664

---

**Type:** RP                      **Manufacturer:** Wilkins                      **Model:** 475MS  
**Size:** 2 1/2                      **Orientation:** VUVD                      **Meters:**  
**Manual:** 9                      **0.25% Pb:** Yes                      **Spare Parts Only:** No  
**Approved:** 09-Sep-2010                      **Renewed:** 09-Sep-2019                      **Bypass:**  
**Shutoffs:** (gg),hh,ppp,qqq,ssss,uuuu,vvvv,xxxx,yyyy,aaaaa,kkkkk  
**Notes:** Serial number Q05664 and higher

---

**Type:** RP                      **Manufacturer:** Wilkins                      **Model:** 475MS  
**Size:** 3                      **Orientation:** VUVD                      **Meters:**  
**Manual:** 9                      **0.25% Pb:** No                      **Spare Parts Only:** No  
**Approved:** 03-Jul-2003                      **Renewed:** 03-Jul-2021                      **Bypass:**  
**Shutoffs:** (gg),ee,ff,hh,ll,mm,tt,uu,yy,zz,ppp,qqq,zzz,dddd,ssss,uuuu,vvvv,xxxx,yyyy,aaaaa,kkkkk,lllll  
**Notes:** Up to serial number Q05664

---

**Type:** RP                      **Manufacturer:** Wilkins                      **Model:** 475MS  
**Size:** 3                      **Orientation:** VUVD                      **Meters:**  
**Manual:** 9                      **0.25% Pb:** Yes                      **Spare Parts Only:** No  
**Approved:** 09-Sep-2010                      **Renewed:** 09-Sep-2019                      **Bypass:**  
**Shutoffs:** (gg),hh,ppp,qqq,ssss,uuuu,vvvv,xxxx,yyyy,aaaaa,kkkkk,lllll  
**Notes:** Serial number Q05664 and higher

---

**Type:** RP                      **Manufacturer:** Wilkins                      **Model:** 475MS  
**Size:** 4                      **Orientation:** VUVD                      **Meters:**  
**Manual:** 9                      **0.25% Pb:** No                      **Spare Parts Only:** No  
**Approved:** 03-Jul-2003                      **Renewed:** 03-Jul-2021                      **Bypass:**  
**Shutoffs:** (ppp),qqq,sss,ttt,www,yyy,zzz,dddd,eeee,ssss,uuuu,vvvv,xxxx,yyyy,aaaaa,kkkkk,lllll  
**Notes:** Up to serial number Q05664

**Type:** RP                                 **Manufacturer:** Wilkins                                 **Model:** 475MS  
**Size:** 4                                     **Orientation:** VUVD                                     **Meters:**  
**Manual:** 9                                 **0.25% Pb:** Yes                                     **Spare Parts Only:** No  
**Approved:** 09-Sep-2010                 **Renewed:** 09-Sep-2019                                 **Bypass:**  
**Shutoffs:** (ppp),qqq,sss,ttt,www,yyy,ssss,uuuu,vvvv,xxxx,yyyy,aaaaa,kkkkk,lIlll  
**Notes:** Serial number Q05664 and higher

---

**Type:** RP                                 **Manufacturer:** Wilkins                                 **Model:** 475MS  
**Size:** 6                                     **Orientation:** VUVD                                     **Meters:**  
**Manual:** 9                                 **0.25% Pb:** No                                     **Spare Parts Only:** No  
**Approved:** 03-Jul-2003                 **Renewed:** 03-Jul-2021                                 **Bypass:**  
**Shutoffs:** (ppp),qqq,sss,ttt,www,yyy,zzz,dddd,eeee,ssss,uuuu,vvvv,xxxx,yyyy,aaaaa,kkkkk,lIlll  
**Notes:** Up to serial number Q05664

---

**Type:** RP                                 **Manufacturer:** Wilkins                                 **Model:** 475MS  
**Size:** 6                                     **Orientation:** VUVD                                     **Meters:**  
**Manual:** 9                                 **0.25% Pb:** Yes                                     **Spare Parts Only:** No  
**Approved:** 09-Sep-2010                 **Renewed:** 09-Sep-2019                                 **Bypass:**  
**Shutoffs:** (ppp),qqq,sss,ttt,www,yyy,ssss,uuuu,vvvv,xxxx,yyyy,aaaaa,kkkkk,lIlll  
**Notes:** Serial number Q05664 and higher

---

**Type:** RP                                 **Manufacturer:** Wilkins                                 **Model:** 475MS  
**Size:** 8                                     **Orientation:** VUVD                                     **Meters:**  
**Manual:** 9                                 **0.25% Pb:** No                                     **Spare Parts Only:** No  
**Approved:** 03-Jul-2003                 **Renewed:** 03-Jul-2021                                 **Bypass:**  
**Shutoffs:** (ppp),qqq,sss,ttt,www,yyy,zzz,dddd,eeee,ssss,uuuu,vvvv,xxxx,yyyy,aaaaa,kkkkk,lIlll  
**Notes:** Up to serial number Q05664

---

**Type:** RP                                 **Manufacturer:** Wilkins                                 **Model:** 475MS  
**Size:** 8                                     **Orientation:** VUVD                                     **Meters:**  
**Manual:** 9                                 **0.25% Pb:** Yes                                     **Spare Parts Only:** No  
**Approved:** 09-Sep-2010                 **Renewed:** 09-Sep-2019                                 **Bypass:**  
**Shutoffs:** (ppp),qqq,sss,ttt,www,yyy,ssss,uuuu,vvvv,xxxx,yyyy,aaaaa,kkkkk,lIlll  
**Notes:** Serial number Q05664 and higher

---

**Type:** RP                                 **Manufacturer:** Wilkins                                 **Model:** 475MS  
**Size:** 10                                     **Orientation:** H                                     **Meters:**  
**Manual:** 9                                 **0.25% Pb:** No                                     **Spare Parts Only:** No  
**Approved:** 29-Mar-2005                 **Renewed:** 29-Mar-2020                                 **Bypass:**  
**Shutoffs:** (ppp),qqq,sss,ttt,www,zzz,dddd,eeee,ssss,uuuu,vvvv,xxxx,yyyy,aaaaa,kkkkk,lIlll  
**Notes:** Up to serial number Q05664



**Type:** RP                                      **Manufacturer:** Wilkins                                      **Model:** 475MS  
**Size:** 10                                      **Orientation:** H                                      **Meters:**  
**Manual:** 9                                      **0.25% Pb:** Yes                                      **Spare Parts Only:** No  
**Approved:** 09-Sep-2010                                      **Renewed:** 09-Sep-2019                                      **Bypass:**  
**Shutoffs:** (ppp),qqq,sss,ttt,www,ssss,uuuu,vvvv,xxxx,yyyy,aaaaa,kkkkk,lllll  
**Notes:** Serial number Q05664 and higher

---

**Type:** RP                                      **Manufacturer:** Wilkins                                      **Model:** 475ST  
**Size:** 4                                      **Orientation:** VUVD                                      **Meters:**  
**Manual:** 10                                      **0.25% Pb:** Yes                                      **Spare Parts Only:** No  
**Approved:** 18-Dec-2018                                      **Renewed:** 18-Dec-2021                                      **Bypass:**  
**Shutoffs:** (kkkkk),yyy,ssss,uuuu,vvvv,xxxx,yyyy,aaaaa,lllll,ggggggg,iiiii,jjjjjj,lllll,mmmmmm,oooooo

---

**Type:** RP                                      **Manufacturer:** Wilkins                                      **Model:** 475ST  
**Size:** 4                                      **Orientation:** VUVU                                      **Meters:**  
**Manual:** 10                                      **0.25% Pb:** Yes                                      **Spare Parts Only:** No  
**Approved:** 18-Dec-2018                                      **Renewed:** 18-Dec-2021                                      **Bypass:**  
**Shutoffs:** (kkkkk),yyy,ssss,uuuu,vvvv,xxxx,yyyy,aaaaa,lllll,ggggggg,iiiii,jjjjjj,lllll,mmmmmm,oooooo

---

**Type:** RP                                      **Manufacturer:** Wilkins                                      **Model:** 475ST  
**Size:** 6                                      **Orientation:** VUVD                                      **Meters:**  
**Manual:** 10                                      **0.25% Pb:** Yes                                      **Spare Parts Only:** No  
**Approved:** 18-Dec-2018                                      **Renewed:** 18-Dec-2021                                      **Bypass:**  
**Shutoffs:** (kkkkk),yyy,ssss,uuuu,vvvv,xxxx,yyyy,aaaaa,lllll,ggggggg,iiiii,jjjjjj,lllll,mmmmmm,oooooo

---

**Type:** RP                                      **Manufacturer:** Wilkins                                      **Model:** 475ST  
**Size:** 6                                      **Orientation:** VUVU                                      **Meters:**  
**Manual:** 10                                      **0.25% Pb:** Yes                                      **Spare Parts Only:** No  
**Approved:** 18-Dec-2018                                      **Renewed:** 18-Dec-2021                                      **Bypass:**  
**Shutoffs:** (kkkkk),yyy,ssss,uuuu,vvvv,xxxx,yyyy,aaaaa,lllll,ggggggg,iiiii,jjjjjj,lllll,mmmmmm,oooooo

---

**Type:** RP                                      **Manufacturer:** Wilkins                                      **Model:** 475ST  
**Size:** 8                                      **Orientation:** VUVD                                      **Meters:**  
**Manual:** 10                                      **0.25% Pb:** Yes                                      **Spare Parts Only:** No  
**Approved:** 18-Dec-2018                                      **Renewed:** 18-Dec-2021                                      **Bypass:**  
**Shutoffs:** (kkkkk),yyy,ssss,uuuu,vvvv,xxxx,yyyy,aaaaa,lllll,ggggggg,iiiii,jjjjjj,lllll,mmmmmm,oooooo

---

<b>Type:</b> RP	<b>Manufacturer:</b> Wilkins	<b>Model:</b> 475ST
<b>Size:</b> 8	<b>Orientation:</b> VUVU	<b>Meters:</b>
<b>Manual:</b> 10	<b>0.25% Pb:</b> Yes	<b>Spare Parts Only:</b> No
<b>Approved:</b> 18-Dec-2018	<b>Renewed:</b> 18-Dec-2021	<b>Bypass:</b>
<b>Shutoffs:</b> (kkkkk),yyy,ssss,uuuu,vvvv,xxxx,yyyy,aaaaa,lllll,ggggggg,iiiiii,jjjjjj,lllll,mmmmmmm,ooooooo		

---

<b>Type:</b> RP	<b>Manufacturer:</b> Wilkins	<b>Model:</b> 475ST
<b>Size:</b> 10	<b>Orientation:</b> VUVD	<b>Meters:</b>
<b>Manual:</b> 10	<b>0.25% Pb:</b> Yes	<b>Spare Parts Only:</b> No
<b>Approved:</b> 18-Dec-2018	<b>Renewed:</b> 18-Dec-2021	<b>Bypass:</b>
<b>Shutoffs:</b> (kkkkk),yyy,ssss,uuuu,vvvv,xxxx,yyyy,aaaaa,lllll,ggggggg,iiiiii,jjjjjj,lllll,mmmmmmm,ooooooo		

---

<b>Type:</b> RP	<b>Manufacturer:</b> Wilkins	<b>Model:</b> 475ST
<b>Size:</b> 10	<b>Orientation:</b> VUVU	<b>Meters:</b>
<b>Manual:</b> 10	<b>0.25% Pb:</b> Yes	<b>Spare Parts Only:</b> No
<b>Approved:</b> 18-Dec-2018	<b>Renewed:</b> 18-Dec-2021	<b>Bypass:</b>
<b>Shutoffs:</b> (kkkkk),yyy,ssss,uuuu,vvvv,xxxx,yyyy,aaaaa,lllll,ggggggg,iiiiii,jjjjjj,lllll,mmmmmmm,ooooooo		

---

<b>Type:</b> RP	<b>Manufacturer:</b> Wilkins	<b>Model:</b> 475STR
<b>Size:</b> 4	<b>Orientation:</b> VUVD	<b>Meters:</b>
<b>Manual:</b> 10	<b>0.25% Pb:</b> Yes	<b>Spare Parts Only:</b> No
<b>Approved:</b> 18-Dec-2018	<b>Renewed:</b> 18-Dec-2021	<b>Bypass:</b>
<b>Shutoffs:</b> (kkkkk),yyy,ssss,uuuu,vvvv,xxxx,yyyy,aaaaa,lllll,ggggggg,iiiiii,jjjjjj,lllll,mmmmmmm,ooooooo		

---

<b>Type:</b> RP	<b>Manufacturer:</b> Wilkins	<b>Model:</b> 475STR
<b>Size:</b> 4	<b>Orientation:</b> VUVU	<b>Meters:</b>
<b>Manual:</b> 10	<b>0.25% Pb:</b> Yes	<b>Spare Parts Only:</b> No
<b>Approved:</b> 18-Dec-2018	<b>Renewed:</b> 18-Dec-2021	<b>Bypass:</b>
<b>Shutoffs:</b> (kkkkk),yyy,ssss,uuuu,vvvv,xxxx,yyyy,aaaaa,lllll,ggggggg,iiiiii,jjjjjj,lllll,mmmmmmm,ooooooo		

---

<b>Type:</b> RP	<b>Manufacturer:</b> Wilkins	<b>Model:</b> 475STR
<b>Size:</b> 6	<b>Orientation:</b> VUVD	<b>Meters:</b>
<b>Manual:</b> 10	<b>0.25% Pb:</b> Yes	<b>Spare Parts Only:</b> No
<b>Approved:</b> 18-Dec-2018	<b>Renewed:</b> 18-Dec-2021	<b>Bypass:</b>
<b>Shutoffs:</b> (kkkkk),yyy,ssss,uuuu,vvvv,xxxx,yyyy,aaaaa,lllll,ggggggg,iiiiii,jjjjjj,lllll,mmmmmmm,ooooooo		

---

<b>Type:</b> RP	<b>Manufacturer:</b> Wilkins	<b>Model:</b> 475STR
<b>Size:</b> 6	<b>Orientation:</b> VUVU	<b>Meters:</b>
<b>Manual:</b> 10	<b>0.25% Pb:</b> Yes	<b>Spare Parts Only:</b> No
<b>Approved:</b> 18-Dec-2018	<b>Renewed:</b> 18-Dec-2021	<b>Bypass:</b>
<b>Shutoffs:</b> (kkkkk),yyy,ssss,uuuu,vvvv,xxxx,yyyy,aaaaa,lllll,ggggggg,iiiiii,jjjjjj,lllll,mmmmmmm,ooooooo		

**Type:** RP **Manufacturer:** Wilkins **Model:** 475STR  
**Size:** 8 **Orientation:** VUVD **Meters:**  
**Manual:** 10 **0.25% Pb:** Yes **Spare Parts Only:** No  
**Approved:** 18-Dec-2018 **Renewed:** 18-Dec-2021 **Bypass:**  
**Shutoffs:** (kkkkk),yyy,ssss,uuuu,vvvv,xxxx,yyyy,aaaaa,lllll,gggggg,iiiiii,jjjjjj,lllll,mmmmmm,oooooo

---

**Type:** RP **Manufacturer:** Wilkins **Model:** 475STR  
**Size:** 8 **Orientation:** VUVU **Meters:**  
**Manual:** 10 **0.25% Pb:** Yes **Spare Parts Only:** No  
**Approved:** 18-Dec-2018 **Renewed:** 18-Dec-2021 **Bypass:**  
**Shutoffs:** (kkkkk),yyy,ssss,uuuu,vvvv,xxxx,yyyy,aaaaa,lllll,gggggg,iiiiii,jjjjjj,lllll,mmmmmm,oooooo

---

**Type:** RP **Manufacturer:** Wilkins **Model:** 475STR  
**Size:** 10 **Orientation:** VUVD **Meters:**  
**Manual:** 10 **0.25% Pb:** Yes **Spare Parts Only:** No  
**Approved:** 18-Dec-2018 **Renewed:** 18-Dec-2021 **Bypass:**  
**Shutoffs:** (kkkkk),yyy,ssss,uuuu,vvvv,xxxx,yyyy,aaaaa,lllll,gggggg,iiiiii,jjjjjj,lllll,mmmmmm,oooooo

---

**Type:** RP **Manufacturer:** Wilkins **Model:** 475STR  
**Size:** 10 **Orientation:** VUVU **Meters:**  
**Manual:** 10 **0.25% Pb:** Yes **Spare Parts Only:** No  
**Approved:** 18-Dec-2018 **Renewed:** 18-Dec-2021 **Bypass:**  
**Shutoffs:** (kkkkk),yyy,ssss,uuuu,vvvv,xxxx,yyyy,aaaaa,lllll,gggggg,iiiiii,jjjjjj,lllll,mmmmmm,oooooo

---

**Type:** RP **Manufacturer:** Wilkins **Model:** 475V  
**Size:** 2 1/2 **Orientation:** VUVU **Meters:**  
**Manual:** 9 **0.25% Pb:** No **Spare Parts Only:** No  
**Approved:** 24-Jan-2002 **Renewed:** 24-Jan-2020 **Bypass:**  
**Shutoffs:**  
(gg),ee,ff,hh,ll,mm,tt,uu,yy,zz,ppp,qqq,zzz,dddd,ssss,tttt,vvvv,www,yyyy,zzzz,kkkkk,gggggg,hhhhhh,jjjjjj,kkkkkk,mmmmmm,nnnnnn  
**Notes:** Up to serial number Q05664

---

**Type:** RP **Manufacturer:** Wilkins **Model:** 475V  
**Size:** 2 1/2 **Orientation:** VUVU **Meters:**  
**Manual:** 9 **0.25% Pb:** Yes **Spare Parts Only:** No  
**Approved:** 09-Sep-2010 **Renewed:** 09-Sep-2019 **Bypass:**  
**Shutoffs:** (gg),hh,ppp,qqq,ssss,tttt,vvvv,www,yyyy,zzzz,kkkkk,gggggg,hhhhhh,jjjjjj,kkkkkk,mmmmmm,nnnnnn  
**Notes:** Serial number Q05664 and higher

**Type:** RP                                   **Manufacturer:** Wilkins                                   **Model:** 475V  
**Size:** 3                                   **Orientation:** VUVU                                   **Meters:**  
**Manual:** 9                                   **0.25% Pb:** No                                   **Spare Parts Only:** No  
**Approved:** 24-Jan-2002                                   **Renewed:** 24-Jan-2020                                   **Bypass:**  
**Shutoffs:**  
(gg),ee,ff,hh,ll,mm,tt,uu,yy,zz,ppp,qqq,zzz,dddd,ssss,ttt,vvvv,www,yyy,zzz,kkkkk,ggggg,hhhhh,jjjjj,kkkkk,mmmm  
mm,nnnnn,llll  
**Notes:** Up to serial number Q05664

---

**Type:** RP                                   **Manufacturer:** Wilkins                                   **Model:** 475V  
**Size:** 3                                   **Orientation:** VUVU                                   **Meters:**  
**Manual:** 9                                   **0.25% Pb:** Yes                                   **Spare Parts Only:** No  
**Approved:** 09-Sep-2010                                   **Renewed:** 09-Sep-2019                                   **Bypass:**  
**Shutoffs:** (gg),hh,ppp,qqq,ssss,ttt,vvvv,www,yyy,zzz,kkkkk,ggggg,hhhhh,jjjjj,kkkkk,mmmmm,nnnnn,llll  
**Notes:** Serial number Q05664 and higher

---

**Type:** RP                                   **Manufacturer:** Wilkins                                   **Model:** 475V  
**Size:** 4                                   **Orientation:** VUVU                                   **Meters:**  
**Manual:** 9                                   **0.25% Pb:** No                                   **Spare Parts Only:** No  
**Approved:** 09-Sep-2000                                   **Renewed:** 09-Sep-2021                                   **Bypass:**  
**Shutoffs:**  
(ppp),qqq,sss,ttt,www,yyy,zzz,dddd,eeee,ssss,uuuu,vvvv,xxxx,yyy,aaaa,kkkk,llll,ggggg,iiiiii,jjjjj,lllll,mmmmm,oooo  
o  
**Notes:** Up to serial number Q05664

---

**Type:** RP                                   **Manufacturer:** Wilkins                                   **Model:** 475V  
**Size:** 4                                   **Orientation:** VUVU                                   **Meters:**  
**Manual:** 9                                   **0.25% Pb:** Yes                                   **Spare Parts Only:** No  
**Approved:** 09-Sep-2010                                   **Renewed:** 09-Sep-2019                                   **Bypass:**  
**Shutoffs:** (ppp),qqq,sss,ttt,www,yyy,ssss,uuuu,vvvv,xxxx,yyy,aaaa,kkkk,llll,ggggg,iiiiii,jjjjj,lllll,mmmmm,ooooo  
**Notes:** Serial number Q05664 and higher

---

**Type:** RP                                   **Manufacturer:** Wilkins                                   **Model:** 475V  
**Size:** 6                                   **Orientation:** VUVU                                   **Meters:**  
**Manual:** 9                                   **0.25% Pb:** No                                   **Spare Parts Only:** No  
**Approved:** 31-May-2001                                   **Renewed:** 31-May-2022                                   **Bypass:**  
**Shutoffs:**  
(ppp),qqq,sss,ttt,www,yyy,zzz,dddd,eeee,ssss,uuuu,vvvv,xxxx,yyy,aaaa,kkkk,llll,ggggg,iiiiii,jjjjj,lllll,mmmmm,oooo  
o  
**Notes:** Up to serial number Q05664

**Type:** RP                                    **Manufacturer:** Wilkins                                    **Model:** 475V  
**Size:** 6                                        **Orientation:** VUVU                                        **Meters:**  
**Manual:** 9                                    **0.25% Pb:** Yes                                        **Spare Parts Only:** No  
**Approved:** 09-Sep-2010                                    **Renewed:** 09-Sep-2019                                    **Bypass:**  
**Shutoffs:** (ppp),qqq,sss,ttt,www,yyy,ssss,uuuu,vvvv,xxxx,yyyy,aaaaa,kkkkk,lllll,gggggg,iiiiii,jjjjjj,lllll,mmmmmm,oooooo  
**Notes:** Serial number Q05664 and higher

---

**Type:** RP                                    **Manufacturer:** Wilkins                                    **Model:** 475V  
**Size:** 8                                        **Orientation:** VUVU                                        **Meters:**  
**Manual:** 9                                    **0.25% Pb:** No                                        **Spare Parts Only:** No  
**Approved:** 08-Jun-2004                                    **Renewed:** 08-Jun-2022                                    **Bypass:**  
**Shutoffs:**  
(ppp),qqq,sss,ttt,www,yyy,zzz,dddd,eeee,ssss,uuuu,vvvv,xxxx,yyyy,aaaaakkkk,lllll,gggggg,iiiiii,jjjjjj,lllll,mmmmmm,oooooo  
o  
**Notes:** Up to serial number Q05664

---

**Type:** RP                                    **Manufacturer:** Wilkins                                    **Model:** 475V  
**Size:** 8                                        **Orientation:** VUVU                                        **Meters:**  
**Manual:** 9                                    **0.25% Pb:** Yes                                        **Spare Parts Only:** No  
**Approved:** 09-Sep-2010                                    **Renewed:** 09-Sep-2019                                    **Bypass:**  
**Shutoffs:** (ppp),qqq,sss,ttt,www,yyy,ssss,uuuu,vvvv,xxxx,yyyy,aaaaa,kkkkk,lllll,gggggg,iiiiii,jjjjjj,lllll,mmmmmm,oooooo  
**Notes:** Serial number Q05664 and higher

---

**Type:** RP                                    **Manufacturer:** Wilkins                                    **Model:** 475V  
**Size:** 10                                        **Orientation:** VUVU                                        **Meters:**  
**Manual:** 9                                    **0.25% Pb:** No                                        **Spare Parts Only:** No  
**Approved:** 22-Nov-2004                                    **Renewed:** 22-Nov-2019                                    **Bypass:**  
**Shutoffs:**  
(ppp),qqq,sss,ttt,www,zzz,dddd,eeee,ssss,uuuu,vvvv,xxxx,yyyy,aaaaa,kkkkk,lllll,gggggg,iiiiii,jjjjjj,lllll,mmmmmm,oooooo  
**Notes:** Up to serial number Q05664

---

**Type:** RP                                    **Manufacturer:** Wilkins                                    **Model:** 475V  
**Size:** 10                                        **Orientation:** VUVU                                        **Meters:**  
**Manual:** 9                                    **0.25% Pb:** Yes                                        **Spare Parts Only:** No  
**Approved:** 09-Sep-2010                                    **Renewed:** 09-Sep-2019                                    **Bypass:**  
**Shutoffs:** (ppp),qqq,sss,ttt,www,ssss,uuuu,vvvv,xxxx,yyyy,aaaaa,kkkkk,lllll,gggggg,iiiiii,jjjjjj,lllll,mmmmmm,oooooo  
**Notes:** Serial number Q05664 and higher

**Type:** RP **Manufacturer:** Wilkins **Model:** 475VMS  
**Size:** 2 1/2 **Orientation:** VUVU **Meters:**  
**Manual:** 9 **0.25% Pb:** No **Spare Parts Only:** No  
**Approved:** 03-Jul-2003 **Renewed:** 03-Jul-2021 **Bypass:**  
**Shutoffs:** (gg),ee,ff,hh,ll,mm,tt,uu,yy,zz,ppp,qqq,zzz,dddd,ssss,uuuu,vvvv,xxxx,yyyy,aaaaa,kkkkk  
**Notes:** Up to serial number Q05664

---

**Type:** RP **Manufacturer:** Wilkins **Model:** 475VMS  
**Size:** 2 1/2 **Orientation:** VUVU **Meters:**  
**Manual:** 9 **0.25% Pb:** Yes **Spare Parts Only:** No  
**Approved:** 09-Sep-2010 **Renewed:** 09-Sep-2019 **Bypass:**  
**Shutoffs:** (gg),hh,ppp,qqq,ssss,uuuu,vvvv,xxxx,yyyy,aaaaa,kkkkk  
**Notes:** Serial number Q05664 and higher

---

**Type:** RP **Manufacturer:** Wilkins **Model:** 475VMS  
**Size:** 3 **Orientation:** VUVU **Meters:**  
**Manual:** 9 **0.25% Pb:** No **Spare Parts Only:** No  
**Approved:** 03-Jul-2003 **Renewed:** 03-Jul-2021 **Bypass:**  
**Shutoffs:** (gg),ee,ff,hh,ll,mm,tt,uu,yy,zz,ppp,qqq,zzz,dddd,ssss,uuuu,vvvv,xxxx,yyyy,aaaaa,kkkkk,l  
**Notes:** Up to serial number Q05664

---

**Type:** RP **Manufacturer:** Wilkins **Model:** 475VMS  
**Size:** 3 **Orientation:** VUVU **Meters:**  
**Manual:** 9 **0.25% Pb:** Yes **Spare Parts Only:** No  
**Approved:** 09-Sep-2010 **Renewed:** 09-Sep-2019 **Bypass:**  
**Shutoffs:** (gg),hh,ppp,qqq,ssss,uuuu,vvvv,xxxx,yyyy,aaaaa,kkkkk,l  
**Notes:** Serial number Q05664 and higher

---

**Type:** RP **Manufacturer:** Wilkins **Model:** 475VMS  
**Size:** 4 **Orientation:** VUVU **Meters:**  
**Manual:** 9 **0.25% Pb:** No **Spare Parts Only:** No  
**Approved:** 03-Jul-2003 **Renewed:** 03-Jul-2021 **Bypass:**  
**Shutoffs:** (ppp),qqq,sss,ttt,www,yyy,zzz,dddd,eeee,ssss,uuuu,vvvv,xxxx,yyyy,aaaaa,kkkkk,l  
**Notes:** Up to serial number Q05664

---

**Type:** RP **Manufacturer:** Wilkins **Model:** 475VMS  
**Size:** 4 **Orientation:** VUVU **Meters:**  
**Manual:** 9 **0.25% Pb:** Yes **Spare Parts Only:** No  
**Approved:** 09-Sep-2010 **Renewed:** 09-Sep-2019 **Bypass:**  
**Shutoffs:** (ppp),qqq,sss,ttt,www,yyy,ssss,uuuu,vvvv,xxxx,yyyy,aaaaa,kkkkk,l  
**Notes:** Serial number Q05664 and higher

---

**Type:** RP **Manufacturer:** Wilkins **Model:** 475VMS  
**Size:** 6 **Orientation:** VUVU **Meters:**  
**Manual:** 9 **0.25% Pb:** No **Spare Parts Only:** No  
**Approved:** 03-Jul-2003 **Renewed:** 03-Jul-2021 **Bypass:**  
**Shutoffs:** (ppp),qqq,sss,ttt,www,yyy,zzz,dddd,eeee,ssss,uuuu,vvvv,xxxx,yyyy,aaaaa,kkkkk,IIIII  
**Notes:** Up to serial number Q05664

---

**Type:** RP **Manufacturer:** Wilkins **Model:** 475VMS  
**Size:** 6 **Orientation:** VUVU **Meters:**  
**Manual:** 9 **0.25% Pb:** Yes **Spare Parts Only:** No  
**Approved:** 09-Sep-2010 **Renewed:** 09-Sep-2019 **Bypass:**  
**Shutoffs:** (ppp),qqq,sss,ttt,www,yyy,ssss,uuuu,vvvv,xxxx,yyyy,aaaaa,kkkkk,IIIII  
**Notes:** Serial number Q05664 and higher

---

**Type:** RP **Manufacturer:** Wilkins **Model:** 475VMS  
**Size:** 8 **Orientation:** VUVU **Meters:**  
**Manual:** 9 **0.25% Pb:** No **Spare Parts Only:** No  
**Approved:** 03-Jul-2003 **Renewed:** 03-Jul-2021 **Bypass:**  
**Shutoffs:** (ppp),qqq,sss,ttt,www,yyy,zzz,dddd,eeee,ssss,uuuu,vvvv,xxxx,yyyy,aaaaa,kkkkk,IIIII  
**Notes:** Up to serial number Q05664

---

**Type:** RP **Manufacturer:** Wilkins **Model:** 475VMS  
**Size:** 8 **Orientation:** VUVU **Meters:**  
**Manual:** 9 **0.25% Pb:** Yes **Spare Parts Only:** No  
**Approved:** 09-Sep-2010 **Renewed:** 09-Sep-2019 **Bypass:**  
**Shutoffs:** (ppp),qqq,sss,ttt,www,yyy,ssss,uuuu,vvvv,xxxx,yyyy,aaaaa,kkkkk,IIIII  
**Notes:** Serial number Q05664 and higher

---

**Type:** RP **Manufacturer:** Wilkins **Model:** 475VMS  
**Size:** 10 **Orientation:** H **Meters:**  
**Manual:** 9 **0.25% Pb:** No **Spare Parts Only:** No  
**Approved:** 29-Mar-2005 **Renewed:** 29-Mar-2020 **Bypass:**  
**Shutoffs:** (ppp),qqq,sss,ttt,www,zzz,dddd,eeee,ssss,uuuu,vvvv,xxxx,yyyy,aaaaa,kkkkk,IIIII  
**Notes:** Up to serial number Q05664

---

**Type:** RP **Manufacturer:** Wilkins **Model:** 475VMS  
**Size:** 10 **Orientation:** H **Meters:**  
**Manual:** 9 **0.25% Pb:** Yes **Spare Parts Only:** No  
**Approved:** 09-Sep-2010 **Renewed:** 09-Sep-2019 **Bypass:**  
**Shutoffs:** (ppp),qqq,sss,ttt,www,ssss,uuuu,vvvv,xxxx,yyyy,aaaaa,kkkkk,IIIII  
**Notes:** Serial number Q05664 and higher

**Type:** RP                                   **Manufacturer:** Wilkins                                   **Model:** 475XL  
**Size:** 2 1/2                                   **Orientation:** VUVD                                   **Meters:**  
**Manual:** 9                                   **0.25% Pb:** No                                   **Spare Parts Only:** No  
**Approved:** 14-Apr-2010                                   **Renewed:** 14-Apr-2022                                   **Bypass:**  
**Shutoffs:** ee,ff,ll,mm,tt,uu,yy,zz,zzz,dddd

---

**Type:** RP                                   **Manufacturer:** Wilkins                                   **Model:** 475XL  
**Size:** 2 1/2                                   **Orientation:** VUVD                                   **Meters:**  
**Manual:** 9                                   **0.25% Pb:** Yes                                   **Spare Parts Only:** No  
**Approved:** 14-Apr-2010                                   **Renewed:** 14-Apr-2022                                   **Bypass:**  
**Shutoffs:** (gg),hh,ppp,qqq,ssss,uuuu,vvvv,xxxx,yyyy,aaaaa

---

**Type:** RP                                   **Manufacturer:** Wilkins                                   **Model:** 475XL  
**Size:** 3                                   **Orientation:** VUVD                                   **Meters:**  
**Manual:** 9                                   **0.25% Pb:** No                                   **Spare Parts Only:** No  
**Approved:** 14-Apr-2010                                   **Renewed:** 14-Apr-2022                                   **Bypass:**  
**Shutoffs:** ee,ff,ll,mm,tt,uu,yy,zz,zzz,dddd

---

**Type:** RP                                   **Manufacturer:** Wilkins                                   **Model:** 475XL  
**Size:** 3                                   **Orientation:** VUVD                                   **Meters:**  
**Manual:** 9                                   **0.25% Pb:** Yes                                   **Spare Parts Only:** No  
**Approved:** 14-Apr-2010                                   **Renewed:** 14-Apr-2022                                   **Bypass:**  
**Shutoffs:** (gg),hh,ppp,qqq,ssss,uuuu,vvvv,xxxx,yyyy,aaaaa

---

**Type:** RP                                   **Manufacturer:** Wilkins                                   **Model:** 475XL  
**Size:** 4                                   **Orientation:** VUVD                                   **Meters:**  
**Manual:** 9                                   **0.25% Pb:** No                                   **Spare Parts Only:** No  
**Approved:** 14-Apr-2010                                   **Renewed:** 14-Apr-2022                                   **Bypass:**  
**Shutoffs:** zzz,dddd,eeee

---

**Type:** RP                                   **Manufacturer:** Wilkins                                   **Model:** 475XL  
**Size:** 4                                   **Orientation:** VUVD                                   **Meters:**  
**Manual:** 9                                   **0.25% Pb:** Yes                                   **Spare Parts Only:** No  
**Approved:** 14-Apr-2010                                   **Renewed:** 14-Apr-2022                                   **Bypass:**  
**Shutoffs:** (ppp),qqq,sss,ttt,www,yyy,ssss,uuuu,vvvv,xxxx,yyyy,aaaaa

---

**Type:** RP                                   **Manufacturer:** Wilkins                                   **Model:** 475XL  
**Size:** 6                                   **Orientation:** VUVD                                   **Meters:**  
**Manual:** 9                                   **0.25% Pb:** No                                   **Spare Parts Only:** No  
**Approved:** 14-Apr-2010                                   **Renewed:** 14-Apr-2022                                   **Bypass:**  
**Shutoffs:** zzz,dddd,eeee























**Type:** RP                                  **Manufacturer:** Wilkins                                  **Model:** 975  
**Size:** 6    **Orientation:** H    **Meters:**  
**Manual:** 8                                      **0.25% Pb:** No    **Spare Parts Only:** Yes  
**Approved:** 08-Nov-1991                      **Renewed:** 08-Nov-2021                                  **Bypass:**  
**Shutoffs:** gg,ee,ff,hh,tt,uu,yy,zz,ppp,ssss,ttt,vvvv,www,yyyy,zzzz

---

**Type:** RP                                  **Manufacturer:** Wilkins                                  **Model:** 975  
**Size:** 8    **Orientation:** H    **Meters:**  
**Manual:** 8                                      **0.25% Pb:** No    **Spare Parts Only:** Yes  
**Approved:** 06-Feb-1995                      **Renewed:** 06-Feb-2022                                  **Bypass:**  
**Shutoffs:**  
(ppp),qqq,sss,ttt,www,yyy,zzz,dddd,eeee,ssss,uuuu,vvvv,xxxx,yyyy,aaaaa,kkkkk,lllll,gggggg,iiiiii,jjjjjj,lllll,mmmmmm,ooooo  
o

---

**Type:** RP                                  **Manufacturer:** Wilkins                                  **Model:** 975  
**Size:** 10    **Orientation:** H    **Meters:**  
**Manual:** 8                                      **0.25% Pb:** No    **Spare Parts Only:** Yes  
**Approved:** 06-Feb-1995                      **Renewed:** 06-Feb-2022                                  **Bypass:**  
**Shutoffs:** (gg),ee,ff,hh,tt,uu,yy,zz,ppp,ssss,ttt,vvvv,www,yyyy,zzzz

---

**Type:** RP                                  **Manufacturer:** Wilkins                                  **Model:** 975A  
**Size:** 3/4    **Orientation:** H    **Meters:**  
**Manual:** 8                                      **0.25% Pb:** No    **Spare Parts Only:** Yes  
**Approved:** 18-Jul-1991                      **Renewed:** 18-Jul-2021                                  **Bypass:**  
**Shutoffs:** ii

---

**Type:** RP                                  **Manufacturer:** Wilkins                                  **Model:** 975A  
**Size:** 1    **Orientation:** H    **Meters:**  
**Manual:** 8                                      **0.25% Pb:** No    **Spare Parts Only:** Yes  
**Approved:** 18-Jul-1991                      **Renewed:** 18-Jul-2021                                  **Bypass:**  
**Shutoffs:** ii

---

**Type:** RP                                  **Manufacturer:** Wilkins                                  **Model:** 975A  
**Size:** 1 1/4    **Orientation:** H    **Meters:**  
**Manual:** 8                                      **0.25% Pb:** No    **Spare Parts Only:** Yes  
**Approved:** 18-Jul-1991                      **Renewed:** 18-Jul-2021                                  **Bypass:**  
**Shutoffs:** ii

**Type:** RP                                      **Manufacturer:** Wilkins                                      **Model:** 975A  
**Size:** 1 1/2                                      **Orientation:** H                                      **Meters:**  
**Manual:** 8                                      **0.25% Pb:** No                                      **Spare Parts Only:** Yes  
**Approved:** 18-Jul-1991                                      **Renewed:** 18-Jul-2021                                      **Bypass:**  
**Shutoffs:** ii

---

**Type:** RP                                      **Manufacturer:** Wilkins                                      **Model:** 975A  
**Size:** 2                                      **Orientation:** H                                      **Meters:**  
**Manual:** 8                                      **0.25% Pb:** No                                      **Spare Parts Only:** Yes  
**Approved:** 18-Jul-1991                                      **Renewed:** 18-Jul-2021                                      **Bypass:**  
**Shutoffs:** ii

---

**Type:** RP                                      **Manufacturer:** Wilkins                                      **Model:** 975BMS  
**Size:** 2 1/2                                      **Orientation:** H                                      **Meters:**  
**Manual:** 8                                      **0.25% Pb:** No                                      **Spare Parts Only:** Yes  
**Approved:** 17-Jun-1997                                      **Renewed:** 17-Jun-2021                                      **Bypass:**  
**Shutoffs:** (gg),ee,ff,hh,tt,uu,yy,zz,ssss,tttt,vvvv,www,yyyy,zzzz

---

**Type:** RP                                      **Manufacturer:** Wilkins                                      **Model:** 975BMS  
**Size:** 3                                      **Orientation:** H                                      **Meters:**  
**Manual:** 8                                      **0.25% Pb:** No                                      **Spare Parts Only:** Yes  
**Approved:** 17-Jun-1997                                      **Renewed:** 17-Jun-2021                                      **Bypass:**  
**Shutoffs:** (gg),ee,ff,hh,tt,uu,yy,zz,ssss,tttt,vvvv,www,yyyy,zzzz

---

**Type:** RP                                      **Manufacturer:** Wilkins                                      **Model:** 975BMS  
**Size:** 4                                      **Orientation:** H                                      **Meters:**  
**Manual:** 8                                      **0.25% Pb:** No                                      **Spare Parts Only:** Yes  
**Approved:** 17-Jun-1997                                      **Renewed:** 17-Jun-2021                                      **Bypass:**  
**Shutoffs:** gg,ee,ff,hh,tt,uu,yy,zz,ssss,tttt,vvvv,www,yyyy,zzzz

---

**Type:** RP                                      **Manufacturer:** Wilkins                                      **Model:** 975BMS  
**Size:** 6                                      **Orientation:** H                                      **Meters:**  
**Manual:** 8                                      **0.25% Pb:** No                                      **Spare Parts Only:** Yes  
**Approved:** 17-Jun-1997                                      **Renewed:** 17-Jun-2021                                      **Bypass:**  
**Shutoffs:** gg,ee,ff,hh,tt,uu,yy,zz,ssss,tttt,vvvv,www,yyyy,zzzz

---

**Type:** RP                                      **Manufacturer:** Wilkins                                      **Model:** 975BMS  
**Size:** 8                                      **Orientation:** H                                      **Meters:**  
**Manual:** 8                                      **0.25% Pb:** No                                      **Spare Parts Only:** Yes  
**Approved:** 17-Jun-1997                                      **Renewed:** 17-Jun-2021                                      **Bypass:**  
**Shutoffs:** (gg),ee,ff,hh,tt,uu,yy,zz,ppp,ssss,tttt,vvvv,www,yyyy,zzzz

**Type:** RP                                      **Manufacturer:** Wilkins                                      **Model:** 975BMS  
**Size:** 10                                      **Orientation:** H                                      **Meters:**  
**Manual:** 8                                      **0.25% Pb:** No                                      **Spare Parts Only:** Yes  
**Approved:** 17-Jun-1997                                      **Renewed:** 17-Jun-2021                                      **Bypass:**  
**Shutoffs:** (gg),ee,ff,hh,tt,uu,yy,zz,ppp,ssss,tttt,vvvv,wwww,yyyy,zzzz

---

**Type:** RP                                      **Manufacturer:** Wilkins                                      **Model:** 975MS  
**Size:** 2 1/2                                      **Orientation:** H                                      **Meters:**  
**Manual:** 8                                      **0.25% Pb:** No                                      **Spare Parts Only:** Yes  
**Approved:** 05-May-1995                                      **Renewed:** 05-May-2022                                      **Bypass:**  
**Shutoffs:** (gg),ee,ff,hh,tt,uu,yy,zz,ssss,tttt,vvvv,wwww,yyyy,zzzz

---

**Type:** RP                                      **Manufacturer:** Wilkins                                      **Model:** 975MS  
**Size:** 3                                      **Orientation:** H                                      **Meters:**  
**Manual:** 8                                      **0.25% Pb:** No                                      **Spare Parts Only:** Yes  
**Approved:** 05-May-1995                                      **Renewed:** 05-May-2022                                      **Bypass:**  
**Shutoffs:** (gg),ee,ff,hh,tt,uu,yy,zz,ssss,tttt,vvvv,wwww,yyyy,zzzz

---

**Type:** RP                                      **Manufacturer:** Wilkins                                      **Model:** 975MS  
**Size:** 4                                      **Orientation:** H                                      **Meters:**  
**Manual:** 8                                      **0.25% Pb:** No                                      **Spare Parts Only:** Yes  
**Approved:** 05-May-1995                                      **Renewed:** 05-May-2022                                      **Bypass:**  
**Shutoffs:** gg,ee,ff,hh,tt,uu,yy,zz,ssss,tttt,vvvv,wwww,yyyy,zzzz

---

**Type:** RP                                      **Manufacturer:** Wilkins                                      **Model:** 975MS  
**Size:** 6                                      **Orientation:** H                                      **Meters:**  
**Manual:** 8                                      **0.25% Pb:** No                                      **Spare Parts Only:** Yes  
**Approved:** 05-May-1995                                      **Renewed:** 05-May-2022                                      **Bypass:**  
**Shutoffs:** gg,ee,ff,hh,tt,uu,yy,zz,ssss,tttt,vvvv,wwww,yyyy,zzzz

---

**Type:** RP                                      **Manufacturer:** Wilkins                                      **Model:** 975MS  
**Size:** 8                                      **Orientation:** H                                      **Meters:**  
**Manual:** 8                                      **0.25% Pb:** No                                      **Spare Parts Only:** Yes  
**Approved:** 05-Dec-1996                                      **Renewed:** 05-Dec-2020                                      **Bypass:**  
**Shutoffs:** (gg),ee,ff,hh,tt,uu,yy,zz,ppp,ssss,tttt,vvvv,wwww,yyyy,zzzz

---

**Type:** RP                                      **Manufacturer:** Wilkins                                      **Model:** 975MS  
**Size:** 10                                      **Orientation:** H                                      **Meters:**  
**Manual:** 8                                      **0.25% Pb:** No                                      **Spare Parts Only:** Yes  
**Approved:** 05-Dec-1996                                      **Renewed:** 05-Dec-2020                                      **Bypass:**  
**Shutoffs:** (gg),ee,ff,hh,tt,uu,yy,zz,ppp,ssss,tttt,vvvv,wwww,yyyy,zzzz





**Type:** RP  
**Size:** 1  
**Manual:** 8  
**Approved:** 29-Jul-2009  
**Shutoffs:** (iii)  
**Notes:** Testcocks: Female Threaded End or 45 degree male SAE flare

**Manufacturer:** Wilkins  
**Orientation:** H  
**0.25% Pb:** Yes  
**Renewed:** 29-Jul-2021

**Model:** 975XL2  
**Meters:**  
**Spare Parts Only:** No  
**Bypass:**

---

**Type:** RP  
**Size:** 1 1/4  
**Manual:** 8  
**Approved:** 21-Aug-2009  
**Shutoffs:** (iii)

**Manufacturer:** Wilkins  
**Orientation:** H  
**0.25% Pb:** Yes  
**Renewed:** 21-Aug-2021

**Model:** 975XL2  
**Meters:**  
**Spare Parts Only:** No  
**Bypass:**

---

**Type:** RP  
**Size:** 1 1/2  
**Manual:** 8  
**Approved:** 21-Aug-2009  
**Shutoffs:** (iii)

**Manufacturer:** Wilkins  
**Orientation:** H  
**0.25% Pb:** Yes  
**Renewed:** 21-Aug-2021

**Model:** 975XL2  
**Meters:**  
**Spare Parts Only:** No  
**Bypass:**

---

**Type:** RP  
**Size:** 2  
**Manual:** 8  
**Approved:** 21-Aug-2009  
**Shutoffs:** (iii),pppppp

**Manufacturer:** Wilkins  
**Orientation:** H  
**0.25% Pb:** Yes  
**Renewed:** 21-Aug-2021

**Model:** 975XL2  
**Meters:**  
**Spare Parts Only:** No  
**Bypass:**

---

**Type:** RP  
**Size:** 3/4  
**Manual:** 8  
**Approved:** 09-Sep-2010  
**Shutoffs:** (iii)

**Manufacturer:** Wilkins  
**Orientation:** H  
**0.25% Pb:** Yes  
**Renewed:** 09-Sep-2019

**Model:** 975XL2BMS  
**Meters:**  
**Spare Parts Only:** No  
**Bypass:**

---

**Type:** RP  
**Size:** 1  
**Manual:** 8  
**Approved:** 09-Sep-2010  
**Shutoffs:** (iii)

**Manufacturer:** Wilkins  
**Orientation:** H  
**0.25% Pb:** Yes  
**Renewed:** 09-Sep-2019

**Model:** 975XL2BMS  
**Meters:**  
**Spare Parts Only:** No  
**Bypass:**

**Type:** RP  
**Size:** 1 1/4  
**Manual:** 8  
**Approved:** 09-Sep-2010  
**Shutoffs:** (iii)

**Manufacturer:** Wilkins  
**Orientation:** H  
**0.25% Pb:** Yes  
**Renewed:** 09-Sep-2019

**Model:** 975XL2BMS  
**Meters:**  
**Spare Parts Only:** No  
**Bypass:**

---

**Type:** RP  
**Size:** 1 1/2  
**Manual:** 8  
**Approved:** 09-Sep-2010  
**Shutoffs:** (iii)

**Manufacturer:** Wilkins  
**Orientation:** H  
**0.25% Pb:** Yes  
**Renewed:** 09-Sep-2019

**Model:** 975XL2BMS  
**Meters:**  
**Spare Parts Only:** No  
**Bypass:**

---

**Type:** RP  
**Size:** 2  
**Manual:** 8  
**Approved:** 09-Sep-2010  
**Shutoffs:** (iii)

**Manufacturer:** Wilkins  
**Orientation:** H  
**0.25% Pb:** Yes  
**Renewed:** 09-Sep-2019

**Model:** 975XL2BMS  
**Meters:**  
**Spare Parts Only:** No  
**Bypass:**

---

**Type:** RP  
**Size:** 3/4  
**Manual:** 8  
**Approved:** 09-Sep-2010  
**Shutoffs:** (iii)

**Manufacturer:** Wilkins  
**Orientation:** H  
**0.25% Pb:** Yes  
**Renewed:** 09-Sep-2019

**Model:** 975XL2MS  
**Meters:**  
**Spare Parts Only:** No  
**Bypass:**

**Notes:** Testcocks: Female Threaded End or 45 degree male SAE flare

---

**Type:** RP  
**Size:** 1  
**Manual:** 8  
**Approved:** 09-Sep-2010  
**Shutoffs:** (iii)

**Manufacturer:** Wilkins  
**Orientation:** H  
**0.25% Pb:** Yes  
**Renewed:** 09-Sep-2019

**Model:** 975XL2MS  
**Meters:**  
**Spare Parts Only:** No  
**Bypass:**

**Notes:** Testcocks: Female Threaded End or 45 degree male SAE flare

---

**Type:** RP  
**Size:** 1 1/4  
**Manual:** 8  
**Approved:** 09-Sep-2010  
**Shutoffs:** (iii)

**Manufacturer:** Wilkins  
**Orientation:** H  
**0.25% Pb:** Yes  
**Renewed:** 09-Sep-2019

**Model:** 975XL2MS  
**Meters:**  
**Spare Parts Only:** No  
**Bypass:**



**Type:** RP  
**Size:** 1 1/2  
**Manual:** 8  
**Approved:** 09-Sep-2010  
**Shutoffs:** (iii)

**Manufacturer:** Wilkins  
**Orientation:** H  
**0.25% Pb:** Yes  
**Renewed:** 09-Sep-2019

**Model:** 975XL2MS  
**Meters:**  
**Spare Parts Only:** No  
**Bypass:**

---

**Type:** RP  
**Size:** 2  
**Manual:** 8  
**Approved:** 09-Sep-2010  
**Shutoffs:** (iii)

**Manufacturer:** Wilkins  
**Orientation:** H  
**0.25% Pb:** Yes  
**Renewed:** 09-Sep-2019

**Model:** 975XL2MS  
**Meters:**  
**Spare Parts Only:** No  
**Bypass:**

---

**Type:** RP  
**Size:** 3/4  
**Manual:** 9  
**Approved:** 22-Feb-2011  
**Shutoffs:** (iii)

**Manufacturer:** Wilkins  
**Orientation:** VUVD  
**0.25% Pb:** Yes  
**Renewed:** 22-Feb-2020

**Model:** 975XL2SE  
**Meters:**  
**Spare Parts Only:** No  
**Bypass:**

**Notes:** Testcocks: Female Threaded End or 45 degree male SAE flare

---

**Type:** RP  
**Size:** 3/4  
**Manual:** 9  
**Approved:** 22-Feb-2011  
**Shutoffs:** (iii)

**Manufacturer:** Wilkins  
**Orientation:** VUVU  
**0.25% Pb:** Yes  
**Renewed:** 22-Feb-2020

**Model:** 975XL2SE  
**Meters:**  
**Spare Parts Only:** No  
**Bypass:**

**Notes:** Testcocks: Female Threaded End or 45 degree male SAE flare

---

**Type:** RP  
**Size:** 1  
**Manual:** 9  
**Approved:** 22-Feb-2011  
**Shutoffs:** (iii)

**Manufacturer:** Wilkins  
**Orientation:** VUVD  
**0.25% Pb:** Yes  
**Renewed:** 22-Feb-2020

**Model:** 975XL2SE  
**Meters:**  
**Spare Parts Only:** No  
**Bypass:**

**Notes:** Testcocks: Female Threaded End or 45 degree male SAE flare

---

**Type:** RP  
**Size:** 1  
**Manual:** 9  
**Approved:** 22-Feb-2011  
**Shutoffs:** (iii)

**Manufacturer:** Wilkins  
**Orientation:** VUVU  
**0.25% Pb:** Yes  
**Renewed:** 22-Feb-2020

**Model:** 975XL2SE  
**Meters:**  
**Spare Parts Only:** No  
**Bypass:**

**Notes:** Testcocks: Female Threaded End or 45 degree male SAE flare

**Type:** RP  
**Size:** 1 1/4  
**Manual:** 9  
**Approved:** 22-Feb-2011  
**Shutoffs:** (iii)

**Manufacturer:** Wilkins  
**Orientation:** VUVD  
**0.25% Pb:** Yes  
**Renewed:** 22-Feb-2020

**Model:** 975XL2SE  
**Meters:**  
**Spare Parts Only:** No  
**Bypass:**

---

**Type:** RP  
**Size:** 1 1/4  
**Manual:** 9  
**Approved:** 22-Feb-2011  
**Shutoffs:** (iii)

**Manufacturer:** Wilkins  
**Orientation:** VUVU  
**0.25% Pb:** Yes  
**Renewed:** 22-Feb-2020

**Model:** 975XL2SE  
**Meters:**  
**Spare Parts Only:** No  
**Bypass:**

---

**Type:** RP  
**Size:** 1 1/2  
**Manual:** 9  
**Approved:** 22-Feb-2011  
**Shutoffs:** (iii)

**Manufacturer:** Wilkins  
**Orientation:** VUVD  
**0.25% Pb:** Yes  
**Renewed:** 22-Feb-2020

**Model:** 975XL2SE  
**Meters:**  
**Spare Parts Only:** No  
**Bypass:**

---

**Type:** RP  
**Size:** 1 1/2  
**Manual:** 9  
**Approved:** 22-Feb-2011  
**Shutoffs:** (iii)

**Manufacturer:** Wilkins  
**Orientation:** VUVU  
**0.25% Pb:** Yes  
**Renewed:** 22-Feb-2020

**Model:** 975XL2SE  
**Meters:**  
**Spare Parts Only:** No  
**Bypass:**

---

**Type:** RP  
**Size:** 2  
**Manual:** 9  
**Approved:** 22-Feb-2011  
**Shutoffs:** (iii)

**Manufacturer:** Wilkins  
**Orientation:** VUVD  
**0.25% Pb:** Yes  
**Renewed:** 22-Feb-2020

**Model:** 975XL2SE  
**Meters:**  
**Spare Parts Only:** No  
**Bypass:**

---

**Type:** RP  
**Size:** 2  
**Manual:** 9  
**Approved:** 22-Feb-2011  
**Shutoffs:** (iii)

**Manufacturer:** Wilkins  
**Orientation:** VUVU  
**0.25% Pb:** Yes  
**Renewed:** 22-Feb-2020

**Model:** 975XL2SE  
**Meters:**  
**Spare Parts Only:** No  
**Bypass:**

**Type:** RP **Manufacturer:** Wilkins **Model:** 975XL2SEU  
**Size:** 3/4 **Orientation:** VUVD **Meters:**  
**Manual:** 9 **0.25% Pb:** Yes **Spare Parts Only:** No  
**Approved:** 29-Mar-2011 **Renewed:** 29-Mar-2020 **Bypass:**  
**Shutoffs:** (mmmmm)  
**Notes:** Testcocks: Female Threaded End or 45 degree male SAE flare

---

**Type:** RP **Manufacturer:** Wilkins **Model:** 975XL2SEU  
**Size:** 3/4 **Orientation:** VUVU **Meters:**  
**Manual:** 9 **0.25% Pb:** Yes **Spare Parts Only:** No  
**Approved:** 29-Mar-2011 **Renewed:** 29-Mar-2020 **Bypass:**  
**Shutoffs:** (mmmmm)  
**Notes:** Testcocks: Female Threaded End or 45 degree male SAE flare

---

**Type:** RP **Manufacturer:** Wilkins **Model:** 975XL2SEU  
**Size:** 1 **Orientation:** VUVD **Meters:**  
**Manual:** 9 **0.25% Pb:** Yes **Spare Parts Only:** No  
**Approved:** 29-Mar-2011 **Renewed:** 29-Mar-2020 **Bypass:**  
**Shutoffs:** (mmmmm)  
**Notes:** Testcocks: Female Threaded End or 45 degree male SAE flare

---

**Type:** RP **Manufacturer:** Wilkins **Model:** 975XL2SEU  
**Size:** 1 **Orientation:** VUVU **Meters:**  
**Manual:** 9 **0.25% Pb:** Yes **Spare Parts Only:** No  
**Approved:** 29-Mar-2011 **Renewed:** 29-Mar-2020 **Bypass:**  
**Shutoffs:** (mmmmm)  
**Notes:** Testcocks: Female Threaded End or 45 degree male SAE flare

---

**Type:** RP **Manufacturer:** Wilkins **Model:** 975XL2SEU  
**Size:** 1 1/4 **Orientation:** VUVD **Meters:**  
**Manual:** 9 **0.25% Pb:** Yes **Spare Parts Only:** No  
**Approved:** 22-Feb-2011 **Renewed:** 22-Feb-2020 **Bypass:**  
**Shutoffs:** (mmmmm)

---

**Type:** RP **Manufacturer:** Wilkins **Model:** 975XL2SEU  
**Size:** 1 1/4 **Orientation:** VUVU **Meters:**  
**Manual:** 9 **0.25% Pb:** Yes **Spare Parts Only:** No  
**Approved:** 22-Feb-2011 **Renewed:** 22-Feb-2020 **Bypass:**  
**Shutoffs:** (mmmmm)





**Type:** RP  
**Size:** 1 1/2  
**Manual:** 8  
**Approved:** 22-Feb-2011  
**Shutoffs:** (mmmmm)

**Manufacturer:** Wilkins  
**Orientation:** H  
**0.25% Pb:** Yes  
**Renewed:** 22-Feb-2020

**Model:** 975XL2U  
**Meters:**  
**Spare Parts Only:** No  
**Bypass:**

---

**Type:** RP  
**Size:** 2  
**Manual:** 8  
**Approved:** 22-Feb-2011  
**Shutoffs:** (mmmmm)

**Manufacturer:** Wilkins  
**Orientation:** H  
**0.25% Pb:** Yes  
**Renewed:** 22-Feb-2020

**Model:** 975XL2U  
**Meters:**  
**Spare Parts Only:** No  
**Bypass:**

---

**Type:** RP  
**Size:** 3/4  
**Manual:** 9  
**Approved:** 22-Feb-2011  
**Shutoffs:** (iii)

**Manufacturer:** Wilkins  
**Orientation:** VUVD  
**0.25% Pb:** Yes  
**Renewed:** 22-Feb-2020

**Model:** 975XL2V  
**Meters:**  
**Spare Parts Only:** No  
**Bypass:**

**Notes:** Testcocks: Female Threaded End or 45 degree male SAE flare

---

**Type:** RP  
**Size:** 3/4  
**Manual:** 9  
**Approved:** 22-Feb-2011  
**Shutoffs:** (iii)

**Manufacturer:** Wilkins  
**Orientation:** VUVU  
**0.25% Pb:** Yes  
**Renewed:** 22-Feb-2020

**Model:** 975XL2V  
**Meters:**  
**Spare Parts Only:** No  
**Bypass:**

**Notes:** Testcocks: Female Threaded End or 45 degree male SAE flare

---

**Type:** RP  
**Size:** 1  
**Manual:** 9  
**Approved:** 22-Feb-2011  
**Shutoffs:** (iii)

**Manufacturer:** Wilkins  
**Orientation:** VUVD  
**0.25% Pb:** Yes  
**Renewed:** 22-Feb-2020

**Model:** 975XL2V  
**Meters:**  
**Spare Parts Only:** No  
**Bypass:**

**Notes:** Testcocks: Female Threaded End or 45 degree male SAE flare

---

**Type:** RP  
**Size:** 1  
**Manual:** 9  
**Approved:** 22-Feb-2011  
**Shutoffs:** (iii)

**Manufacturer:** Wilkins  
**Orientation:** VUVU  
**0.25% Pb:** Yes  
**Renewed:** 22-Feb-2020

**Model:** 975XL2V  
**Meters:**  
**Spare Parts Only:** No  
**Bypass:**

**Notes:** Testcocks: Female Threaded End or 45 degree male SAE flare

**Type:** RP  
**Size:** 1/2  
**Manual:** 10  
**Approved:** 06-Sep-2022  
**Shutoffs:** (iii)

**Manufacturer:** Wilkins  
**Orientation:** H  
**0.25% Pb:** Yes  
**Renewed:**

**Model:** 975XL3  
**Meters:**  
**Spare Parts Only:** No  
**Bypass:**

---

**Type:** RP  
**Size:** 3/4  
**Manual:** 10  
**Approved:** 06-Sep-2022  
**Shutoffs:** (iii)

**Manufacturer:** Wilkins  
**Orientation:** H  
**0.25% Pb:** Yes  
**Renewed:**

**Model:** 975XL3  
**Meters:**  
**Spare Parts Only:** No  
**Bypass:**

---

**Type:** RP  
**Size:** 1  
**Manual:** 10  
**Approved:** 06-Sep-2022  
**Shutoffs:** (iii)

**Manufacturer:** Wilkins  
**Orientation:** H  
**0.25% Pb:** Yes  
**Renewed:**

**Model:** 975XL3  
**Meters:**  
**Spare Parts Only:** No  
**Bypass:**

---

**Type:** RP  
**Size:** 1 1/4  
**Manual:** 10  
**Approved:** 06-Sep-2022  
**Shutoffs:** (iii)

**Manufacturer:** Wilkins  
**Orientation:** H  
**0.25% Pb:** Yes  
**Renewed:**

**Model:** 975XL3  
**Meters:**  
**Spare Parts Only:** No  
**Bypass:**

---

**Type:** RP  
**Size:** 1 1/2  
**Manual:** 10  
**Approved:** 06-Sep-2022  
**Shutoffs:** (iii)

**Manufacturer:** Wilkins  
**Orientation:** H  
**0.25% Pb:** Yes  
**Renewed:**

**Model:** 975XL3  
**Meters:**  
**Spare Parts Only:** No  
**Bypass:**

---

**Type:** RP  
**Size:** 2  
**Manual:** 10  
**Approved:** 06-Sep-2022  
**Shutoffs:** (iii)

**Manufacturer:** Wilkins  
**Orientation:** H  
**0.25% Pb:** Yes  
**Renewed:**

**Model:** 975XL3  
**Meters:**  
**Spare Parts Only:** No  
**Bypass:**

---

**Type:** RP  
**Size:** 1/2  
**Manual:** 10  
**Approved:** 06-Sep-2022  
**Shutoffs:** (iii)

**Manufacturer:** Wilkins  
**Orientation:** VUVD  
**0.25% Pb:** Yes  
**Renewed:**

**Model:** 975XL3SE  
**Meters:**  
**Spare Parts Only:** No  
**Bypass:**

**Type:** RP  
**Size:** 1/2  
**Manual:** 10  
**Approved:** 06-Sep-2022  
**Shutoffs:** (iii)

**Manufacturer:** Wilkins  
**Orientation:** VUVU  
**0.25% Pb:** Yes  
**Renewed:**

**Model:** 975XL3SE  
**Meters:**  
**Spare Parts Only:** No  
**Bypass:**

---

**Type:** RP  
**Size:** 3/4  
**Manual:** 10  
**Approved:** 06-Sep-2022  
**Shutoffs:** (iii)

**Manufacturer:** Wilkins  
**Orientation:** VUVD  
**0.25% Pb:** Yes  
**Renewed:**

**Model:** 975XL3SE  
**Meters:**  
**Spare Parts Only:** No  
**Bypass:**

---

**Type:** RP  
**Size:** 3/4  
**Manual:** 10  
**Approved:** 06-Sep-2022  
**Shutoffs:** (iii)

**Manufacturer:** Wilkins  
**Orientation:** VUVU  
**0.25% Pb:** Yes  
**Renewed:**

**Model:** 975XL3SE  
**Meters:**  
**Spare Parts Only:** No  
**Bypass:**

---

**Type:** RP  
**Size:** 1  
**Manual:** 10  
**Approved:** 06-Sep-2022  
**Shutoffs:** (iii)

**Manufacturer:** Wilkins  
**Orientation:** VUVD  
**0.25% Pb:** Yes  
**Renewed:**

**Model:** 975XL3SE  
**Meters:**  
**Spare Parts Only:** No  
**Bypass:**

---

**Type:** RP  
**Size:** 1  
**Manual:** 10  
**Approved:** 06-Sep-2022  
**Shutoffs:** (iii)

**Manufacturer:** Wilkins  
**Orientation:** VUVU  
**0.25% Pb:** Yes  
**Renewed:**

**Model:** 975XL3SE  
**Meters:**  
**Spare Parts Only:** No  
**Bypass:**

---

**Type:** RP  
**Size:** 3/4  
**Manual:** 10  
**Approved:** 06-Sep-2022  
**Shutoffs:** (mmmmm)

**Manufacturer:** Wilkins  
**Orientation:** VUVD  
**0.25% Pb:** Yes  
**Renewed:**

**Model:** 975XL3SEU  
**Meters:**  
**Spare Parts Only:** No  
**Bypass:**

---

**Type:** RP  
**Size:** 3/4  
**Manual:** 10  
**Approved:** 06-Sep-2022  
**Shutoffs:** (mmmmm)

**Manufacturer:** Wilkins  
**Orientation:** VUVU  
**0.25% Pb:** Yes  
**Renewed:**

**Model:** 975XL3SEU  
**Meters:**  
**Spare Parts Only:** No  
**Bypass:**



**Type:** RP  
**Size:** 1  
**Manual:** 10  
**Approved:** 06-Sep-2022  
**Shutoffs:** (mmmmm)

**Manufacturer:** Wilkins  
**Orientation:** VUVD  
**0.25% Pb:** Yes  
**Renewed:**

**Model:** 975XL3SEU  
**Meters:**  
**Spare Parts Only:** No  
**Bypass:**

---

**Type:** RP  
**Size:** 1  
**Manual:** 10  
**Approved:** 06-Sep-2022  
**Shutoffs:** (mmmmm)

**Manufacturer:** Wilkins  
**Orientation:** VUVU  
**0.25% Pb:** Yes  
**Renewed:**

**Model:** 975XL3SEU  
**Meters:**  
**Spare Parts Only:** No  
**Bypass:**

---

**Type:** RP  
**Size:** 3/4  
**Manual:** 10  
**Approved:** 06-Sep-2022  
**Shutoffs:** (mmmmm)

**Manufacturer:** Wilkins  
**Orientation:** H  
**0.25% Pb:** Yes  
**Renewed:**

**Model:** 975XL3U  
**Meters:**  
**Spare Parts Only:** No  
**Bypass:**

---

**Type:** RP  
**Size:** 1  
**Manual:** 10  
**Approved:** 06-Sep-2022  
**Shutoffs:** (mmmmm)

**Manufacturer:** Wilkins  
**Orientation:** H  
**0.25% Pb:** Yes  
**Renewed:**

**Model:** 975XL3U  
**Meters:**  
**Spare Parts Only:** No  
**Bypass:**

---

**Type:** RP  
**Size:** 1 1/4  
**Manual:** 10  
**Approved:** 06-Sep-2022  
**Shutoffs:** (mmmmm)

**Manufacturer:** Wilkins  
**Orientation:** H  
**0.25% Pb:** Yes  
**Renewed:**

**Model:** 975XL3U  
**Meters:**  
**Spare Parts Only:** No  
**Bypass:**

---

**Type:** RP  
**Size:** 1 1/2  
**Manual:** 10  
**Approved:** 06-Sep-2022  
**Shutoffs:** (mmmmm)

**Manufacturer:** Wilkins  
**Orientation:** H  
**0.25% Pb:** Yes  
**Renewed:**

**Model:** 975XL3U  
**Meters:**  
**Spare Parts Only:** No  
**Bypass:**

---

**Type:** RP  
**Size:** 2  
**Manual:** 10  
**Approved:** 06-Sep-2022  
**Shutoffs:** (mmmmm)

**Manufacturer:** Wilkins  
**Orientation:** H  
**0.25% Pb:** Yes  
**Renewed:**

**Model:** 975XL3U  
**Meters:**  
**Spare Parts Only:** No  
**Bypass:**

**Type:** RP  
**Size:** 2  
**Manual:** 8  
**Approved:** 22-Feb-2011  
**Shutoffs:** (bbbb),ppppp

**Manufacturer:** Wilkins  
**Orientation:** H  
**0.25% Pb:** No  
**Renewed:** 22-Feb-2020

**Model:** 975XLBF  
**Meters:**  
**Spare Parts Only:** No  
**Bypass:**

---

**Type:** RP  
**Size:** 2  
**Manual:** 8  
**Approved:** 22-Feb-2011  
**Shutoffs:** (cccc),ppppp

**Manufacturer:** Wilkins  
**Orientation:** H  
**0.25% Pb:** No  
**Renewed:** 22-Feb-2020

**Model:** 975XLBFSS  
**Meters:**  
**Spare Parts Only:** No  
**Bypass:**

---

**Type:** RP  
**Size:** 3/4  
**Manual:** 8  
**Approved:** 09-May-1997  
**Shutoffs:** (ii),ooo

**Manufacturer:** Wilkins  
**Orientation:** H  
**0.25% Pb:** No  
**Renewed:** 09-May-2021

**Model:** 975XLBMS  
**Meters:**  
**Spare Parts Only:** No  
**Bypass:**

---

**Type:** RP  
**Size:** 1  
**Manual:** 8  
**Approved:** 09-May-1997  
**Shutoffs:** (ii),ooo

**Manufacturer:** Wilkins  
**Orientation:** H  
**0.25% Pb:** No  
**Renewed:** 09-May-2021

**Model:** 975XLBMS  
**Meters:**  
**Spare Parts Only:** No  
**Bypass:**

---

**Type:** RP  
**Size:** 1 1/4  
**Manual:** 8  
**Approved:** 09-May-1997  
**Shutoffs:** (ii),ooo

**Manufacturer:** Wilkins  
**Orientation:** H  
**0.25% Pb:** No  
**Renewed:** 09-May-2021

**Model:** 975XLBMS  
**Meters:**  
**Spare Parts Only:** No  
**Bypass:**

---

**Type:** RP  
**Size:** 1 1/2  
**Manual:** 8  
**Approved:** 09-May-1997  
**Shutoffs:** (ii),ooo

**Manufacturer:** Wilkins  
**Orientation:** H  
**0.25% Pb:** No  
**Renewed:** 09-May-2021

**Model:** 975XLBMS  
**Meters:**  
**Spare Parts Only:** No  
**Bypass:**

---

**Type:** RP  
**Size:** 2  
**Manual:** 8  
**Approved:** 09-May-1997  
**Shutoffs:** (ii),ooo

**Manufacturer:** Wilkins  
**Orientation:** H  
**0.25% Pb:** No  
**Renewed:** 09-May-2021

**Model:** 975XLBMS  
**Meters:**  
**Spare Parts Only:** No  
**Bypass:**

**Type:** RP                                    **Manufacturer:** Wilkins                                    **Model:** 975XLD  
**Size:** 3/4                                    **Orientation:** H                                    **Meters:**  
**Manual:** 9                                    **0.25% Pb:** No                                    **Spare Parts Only:** No  
**Approved:** 08-Oct-2002                                    **Renewed:** 08-Oct-2020                                    **Bypass:**  
**Shutoffs:** (ii),ooo, iiiii, mmmmm  
**Notes:** Testcocks: Female Threaded End or 45 degree male SAE flare

---

**Type:** RP                                    **Manufacturer:** Wilkins                                    **Model:** 975XLD  
**Size:** 3/4                                    **Orientation:** H                                    **Meters:**  
**Manual:** 10                                    **0.25% Pb:** Yes                                    **Spare Parts Only:** No  
**Approved:** 03-Jul-2013                                    **Renewed:** 03-Jul-2022                                    **Bypass:**  
**Shutoffs:** (iii), mmmmm  
**Notes:** Testcocks: Female Threaded End or 45 degree male SAE flare

---

**Type:** RP                                    **Manufacturer:** Wilkins                                    **Model:** 975XLDTCU  
**Size:** 3/4                                    **Orientation:** H                                    **Meters:**  
**Manual:** 10                                    **0.25% Pb:** Yes                                    **Spare Parts Only:** No  
**Approved:** 18-Dec-2018                                    **Renewed:** 18-Dec-2021                                    **Bypass:**  
**Shutoffs:** (iii), mmmmm  
**Notes:** Testcocks: Female Threaded End or 45 degree male SAE flare

---

**Type:** RP                                    **Manufacturer:** Wilkins                                    **Model:** 975XLMS  
**Size:** 3/4                                    **Orientation:** H                                    **Meters:**  
**Manual:** 8                                    **0.25% Pb:** No                                    **Spare Parts Only:** No  
**Approved:** 30-Aug-1994                                    **Renewed:** 30-Aug-2021                                    **Bypass:**  
**Shutoffs:** (ii),ooo

---

**Type:** RP                                    **Manufacturer:** Wilkins                                    **Model:** 975XLMS  
**Size:** 1                                    **Orientation:** H                                    **Meters:**  
**Manual:** 8                                    **0.25% Pb:** No                                    **Spare Parts Only:** No  
**Approved:** 30-Aug-1994                                    **Renewed:** 30-Aug-2021                                    **Bypass:**  
**Shutoffs:** (ii),ooo

---

**Type:** RP                                    **Manufacturer:** Wilkins                                    **Model:** 975XLMS  
**Size:** 1 1/4                                    **Orientation:** H                                    **Meters:**  
**Manual:** 8                                    **0.25% Pb:** No                                    **Spare Parts Only:** No  
**Approved:** 30-Aug-1994                                    **Renewed:** 30-Aug-2021                                    **Bypass:**  
**Shutoffs:** (ii),ooo

<b>Type:</b> RP	<b>Manufacturer:</b> Wilkins	<b>Model:</b> 975XLMS
<b>Size:</b> 1 1/2	<b>Orientation:</b> H	<b>Meters:</b>
<b>Manual:</b> 8	<b>0.25% Pb:</b> No	<b>Spare Parts Only:</b> No
<b>Approved:</b> 30-Aug-1994	<b>Renewed:</b> 30-Aug-2021	<b>Bypass:</b>
<b>Shutoffs:</b> (ii),000		

---

<b>Type:</b> RP	<b>Manufacturer:</b> Wilkins	<b>Model:</b> 975XLMS
<b>Size:</b> 2	<b>Orientation:</b> H	<b>Meters:</b>
<b>Manual:</b> 8	<b>0.25% Pb:</b> No	<b>Spare Parts Only:</b> No
<b>Approved:</b> 30-Aug-1994	<b>Renewed:</b> 30-Aug-2021	<b>Bypass:</b>
<b>Shutoffs:</b> (ii),000		

---

<b>Type:</b> RP	<b>Manufacturer:</b> Wilkins	<b>Model:</b> 975XLSE
<b>Size:</b> 3/4	<b>Orientation:</b> VUVD	<b>Meters:</b>
<b>Manual:</b> 9	<b>0.25% Pb:</b> No	<b>Spare Parts Only:</b> No
<b>Approved:</b> 16-Oct-2000	<b>Renewed:</b> 16-Oct-2021	<b>Bypass:</b>
<b>Shutoffs:</b> (ii),000		
<b>Notes:</b> Testcocks: Female Threaded End or 45 degree male SAE flare		

---

<b>Type:</b> RP	<b>Manufacturer:</b> Wilkins	<b>Model:</b> 975XLSE
<b>Size:</b> 3/4	<b>Orientation:</b> VUVU	<b>Meters:</b>
<b>Manual:</b> 9	<b>0.25% Pb:</b> No	<b>Spare Parts Only:</b> No
<b>Approved:</b> 16-Oct-2000	<b>Renewed:</b> 16-Oct-2021	<b>Bypass:</b>
<b>Shutoffs:</b> (ii),000		
<b>Notes:</b> Testcocks: Female Threaded End or 45 degree male SAE flare		

---

<b>Type:</b> RP	<b>Manufacturer:</b> Wilkins	<b>Model:</b> 975XLSE
<b>Size:</b> 1	<b>Orientation:</b> VUVD	<b>Meters:</b>
<b>Manual:</b> 9	<b>0.25% Pb:</b> No	<b>Spare Parts Only:</b> No
<b>Approved:</b> 16-Oct-2000	<b>Renewed:</b> 16-Oct-2021	<b>Bypass:</b>
<b>Shutoffs:</b> (ii),000		
<b>Notes:</b> Testcocks: Female Threaded End or 45 degree male SAE flare		

---

<b>Type:</b> RP	<b>Manufacturer:</b> Wilkins	<b>Model:</b> 975XLSE
<b>Size:</b> 1	<b>Orientation:</b> VUVU	<b>Meters:</b>
<b>Manual:</b> 9	<b>0.25% Pb:</b> No	<b>Spare Parts Only:</b> No
<b>Approved:</b> 16-Oct-2000	<b>Renewed:</b> 16-Oct-2021	<b>Bypass:</b>
<b>Shutoffs:</b> (ii),000		
<b>Notes:</b> Testcocks: Female Threaded End or 45 degree male SAE flare		

**Type:** RP  
**Size:** 1 1/4  
**Manual:** 9  
**Approved:** 04-Nov-1999  
**Shutoffs:** (ii),000

**Manufacturer:** Wilkins  
**Orientation:** VUVD  
**0.25% Pb:** No  
**Renewed:** 04-Nov-2020

**Model:** 975XLSE  
**Meters:**  
**Spare Parts Only:** No  
**Bypass:**

---

**Type:** RP  
**Size:** 1 1/4  
**Manual:** 9  
**Approved:** 04-Nov-1999  
**Shutoffs:** (ii),000

**Manufacturer:** Wilkins  
**Orientation:** VUVU  
**0.25% Pb:** No  
**Renewed:** 04-Nov-2020

**Model:** 975XLSE  
**Meters:**  
**Spare Parts Only:** No  
**Bypass:**

---

**Type:** RP  
**Size:** 1 1/2  
**Manual:** 9  
**Approved:** 04-Nov-1999  
**Shutoffs:** (ii),000

**Manufacturer:** Wilkins  
**Orientation:** VUVD  
**0.25% Pb:** No  
**Renewed:** 04-Nov-2020

**Model:** 975XLSE  
**Meters:**  
**Spare Parts Only:** No  
**Bypass:**

---

**Type:** RP  
**Size:** 1 1/2  
**Manual:** 9  
**Approved:** 04-Nov-1999  
**Shutoffs:** (ii),000

**Manufacturer:** Wilkins  
**Orientation:** VUVU  
**0.25% Pb:** No  
**Renewed:** 04-Nov-2020

**Model:** 975XLSE  
**Meters:**  
**Spare Parts Only:** No  
**Bypass:**

---

**Type:** RP  
**Size:** 2  
**Manual:** 9  
**Approved:** 04-Nov-1999  
**Shutoffs:** (ii),000

**Manufacturer:** Wilkins  
**Orientation:** VUVD  
**0.25% Pb:** No  
**Renewed:** 04-Nov-2020

**Model:** 975XLSE  
**Meters:**  
**Spare Parts Only:** No  
**Bypass:**

---

**Type:** RP  
**Size:** 2  
**Manual:** 9  
**Approved:** 04-Nov-1999  
**Shutoffs:** (ii),000

**Manufacturer:** Wilkins  
**Orientation:** VUVU  
**0.25% Pb:** No  
**Renewed:** 04-Nov-2020

**Model:** 975XLSE  
**Meters:**  
**Spare Parts Only:** No  
**Bypass:**

**Type:** RP                                    **Manufacturer:** Wilkins                                    **Model:** 975XLSEU  
**Size:** 3/4                                    **Orientation:** VUVD                                    **Meters:**  
**Manual:** 9                                    **0.25% Pb:** No                                    **Spare Parts Only:** No  
**Approved:** 16-Oct-2000                                    **Renewed:** 16-Oct-2021                                    **Bypass:**  
**Shutoffs:** (ggg),xxx  
**Notes:** Testcocks: Female Threaded End or 45 degree male SAE flare

---

**Type:** RP                                    **Manufacturer:** Wilkins                                    **Model:** 975XLSEU  
**Size:** 3/4                                    **Orientation:** VUVU                                    **Meters:**  
**Manual:** 9                                    **0.25% Pb:** No                                    **Spare Parts Only:** No  
**Approved:** 16-Oct-2000                                    **Renewed:** 16-Oct-2021                                    **Bypass:**  
**Shutoffs:** (ggg),xxx  
**Notes:** Testcocks: Female Threaded End or 45 degree male SAE flare

---

**Type:** RP                                    **Manufacturer:** Wilkins                                    **Model:** 975XLSEU  
**Size:** 1                                    **Orientation:** VUVD                                    **Meters:**  
**Manual:** 9                                    **0.25% Pb:** No                                    **Spare Parts Only:** No  
**Approved:** 16-Oct-2000                                    **Renewed:** 16-Oct-2021                                    **Bypass:**  
**Shutoffs:** (ggg),xxx  
**Notes:** Testcocks: Female Threaded End or 45 degree male SAE flare

---

**Type:** RP                                    **Manufacturer:** Wilkins                                    **Model:** 975XLSEU  
**Size:** 1                                    **Orientation:** VUVU                                    **Meters:**  
**Manual:** 9                                    **0.25% Pb:** No                                    **Spare Parts Only:** No  
**Approved:** 16-Oct-2000                                    **Renewed:** 16-Oct-2021                                    **Bypass:**  
**Shutoffs:** (ggg),xxx  
**Notes:** Testcocks: Female Threaded End or 45 degree male SAE flare

---

**Type:** RP                                    **Manufacturer:** Wilkins                                    **Model:** 975XLSEU  
**Size:** 1 1/4                                    **Orientation:** VUVD                                    **Meters:**  
**Manual:** 9                                    **0.25% Pb:** No                                    **Spare Parts Only:** No  
**Approved:** 27-Mar-2000                                    **Renewed:** 27-Mar-2021                                    **Bypass:**  
**Shutoffs:** (ggg),xxx

---

**Type:** RP                                    **Manufacturer:** Wilkins                                    **Model:** 975XLSEU  
**Size:** 1 1/4                                    **Orientation:** VUVU                                    **Meters:**  
**Manual:** 9                                    **0.25% Pb:** No                                    **Spare Parts Only:** No  
**Approved:** 27-Mar-2000                                    **Renewed:** 27-Mar-2021                                    **Bypass:**  
**Shutoffs:** (ggg),xxx

**Type:** RP  
**Size:** 1 1/2  
**Manual:** 9  
**Approved:** 27-Mar-2000  
**Shutoffs:** (ggg),xxx

**Manufacturer:** Wilkins  
**Orientation:** VUVD  
**0.25% Pb:** No  
**Renewed:** 27-Mar-2021

**Model:** 975XLSEU  
**Meters:**  
**Spare Parts Only:** No  
**Bypass:**

---

**Type:** RP  
**Size:** 1 1/2  
**Manual:** 9  
**Approved:** 27-Mar-2000  
**Shutoffs:** (ggg),xxx

**Manufacturer:** Wilkins  
**Orientation:** VUVU  
**0.25% Pb:** No  
**Renewed:** 27-Mar-2021

**Model:** 975XLSEU  
**Meters:**  
**Spare Parts Only:** No  
**Bypass:**

---

**Type:** RP  
**Size:** 2  
**Manual:** 9  
**Approved:** 27-Mar-2000  
**Shutoffs:** (ggg),xxx

**Manufacturer:** Wilkins  
**Orientation:** VUVD  
**0.25% Pb:** No  
**Renewed:** 27-Mar-2021

**Model:** 975XLSEU  
**Meters:**  
**Spare Parts Only:** No  
**Bypass:**

---

**Type:** RP  
**Size:** 2  
**Manual:** 9  
**Approved:** 27-Mar-2000  
**Shutoffs:** (ggg),xxx

**Manufacturer:** Wilkins  
**Orientation:** VUVU  
**0.25% Pb:** No  
**Renewed:** 27-Mar-2021

**Model:** 975XLSEU  
**Meters:**  
**Spare Parts Only:** No  
**Bypass:**

---

**Type:** RP  
**Size:** 3/8  
**Manual:** 9  
**Approved:** 19-Nov-2002  
**Shutoffs:** (ggggg)

**Manufacturer:** Wilkins  
**Orientation:** H  
**0.25% Pb:** Yes  
**Renewed:** 19-Nov-2020

**Model:** 975XLST  
**Meters:**  
**Spare Parts Only:** No  
**Bypass:**

---

**Type:** RP  
**Size:** 1/2  
**Manual:** 9  
**Approved:** 19-Nov-2002  
**Shutoffs:** (ggggg)

**Manufacturer:** Wilkins  
**Orientation:** H  
**0.25% Pb:** Yes  
**Renewed:** 19-Nov-2020

**Model:** 975XLST  
**Meters:**  
**Spare Parts Only:** No  
**Bypass:**

<b>Type:</b> RP	<b>Manufacturer:</b> Wilkins	<b>Model:</b> 975XLTCU
<b>Size:</b> 1/2	<b>Orientation:</b> H	<b>Meters:</b>
<b>Manual:</b> 8	<b>0.25% Pb:</b> No	<b>Spare Parts Only:</b> No
<b>Approved:</b> 05-Apr-2007	<b>Renewed:</b> 05-Apr-2022	<b>Bypass:</b>
<b>Shutoffs:</b> (ii),000		
<b>Notes:</b> Testcocks: Female Threaded End or 45 degree male SAE flare		

---

<b>Type:</b> RP	<b>Manufacturer:</b> Wilkins	<b>Model:</b> 975XLTCU
<b>Size:</b> 3/4	<b>Orientation:</b> H	<b>Meters:</b>
<b>Manual:</b> 8	<b>0.25% Pb:</b> No	<b>Spare Parts Only:</b> No
<b>Approved:</b> 27-Jun-2006	<b>Renewed:</b> 27-Jun-2021	<b>Bypass:</b>
<b>Shutoffs:</b> (ii),000,xxx		
<b>Notes:</b> Testcocks: Female Threaded End or 45 degree male SAE flare		

---

<b>Type:</b> RP	<b>Manufacturer:</b> Wilkins	<b>Model:</b> 975XLTCU
<b>Size:</b> 1	<b>Orientation:</b> H	<b>Meters:</b>
<b>Manual:</b> 8	<b>0.25% Pb:</b> No	<b>Spare Parts Only:</b> No
<b>Approved:</b> 27-Jun-2006	<b>Renewed:</b> 27-Jun-2021	<b>Bypass:</b>
<b>Shutoffs:</b> (ii),000,xxx		
<b>Notes:</b> Testcocks: Female Threaded End or 45 degree male SAE flare		

---

<b>Type:</b> RP	<b>Manufacturer:</b> Wilkins	<b>Model:</b> 975XLTCU
<b>Size:</b> 1 1/4	<b>Orientation:</b> H	<b>Meters:</b>
<b>Manual:</b> 8	<b>0.25% Pb:</b> No	<b>Spare Parts Only:</b> No
<b>Approved:</b> 27-Jun-2006	<b>Renewed:</b> 27-Jun-2021	<b>Bypass:</b>
<b>Shutoffs:</b> (ii),000,xxx		

---

<b>Type:</b> RP	<b>Manufacturer:</b> Wilkins	<b>Model:</b> 975XLTCU
<b>Size:</b> 1 1/2	<b>Orientation:</b> H	<b>Meters:</b>
<b>Manual:</b> 8	<b>0.25% Pb:</b> No	<b>Spare Parts Only:</b> No
<b>Approved:</b> 27-Jun-2006	<b>Renewed:</b> 27-Jun-2021	<b>Bypass:</b>
<b>Shutoffs:</b> (ii),000,xxx		

---

<b>Type:</b> RP	<b>Manufacturer:</b> Wilkins	<b>Model:</b> 975XLTCU
<b>Size:</b> 2	<b>Orientation:</b> H	<b>Meters:</b>
<b>Manual:</b> 8	<b>0.25% Pb:</b> No	<b>Spare Parts Only:</b> No
<b>Approved:</b> 27-Jun-2006	<b>Renewed:</b> 27-Jun-2021	<b>Bypass:</b>
<b>Shutoffs:</b> (ii),000,xxx		





<b>Type:</b> RP	<b>Manufacturer:</b> Wilkins	<b>Model:</b> 975XLV
<b>Size:</b> 1	<b>Orientation:</b> VUVD	<b>Meters:</b>
<b>Manual:</b> 9	<b>0.25% Pb:</b> No	<b>Spare Parts Only:</b> No
<b>Approved:</b> 07-Jan-2001	<b>Renewed:</b> 07-Jan-2022	<b>Bypass:</b>
<b>Shutoffs:</b> (ii),ooo		

---

<b>Type:</b> RP	<b>Manufacturer:</b> Wilkins	<b>Model:</b> 975XLV
<b>Size:</b> 1	<b>Orientation:</b> VUVU	<b>Meters:</b>
<b>Manual:</b> 9	<b>0.25% Pb:</b> No	<b>Spare Parts Only:</b> No
<b>Approved:</b> 07-Jan-2001	<b>Renewed:</b> 07-Jan-2022	<b>Bypass:</b>
<b>Shutoffs:</b> (ii),ooo		

---

<b>Type:</b> RP	<b>Manufacturer:</b> Wilkins	<b>Model:</b> MBC-10"
<b>Size:</b> 10	<b>Orientation:</b>	<b>Meters:</b>
<b>Manual:</b>	<b>0.25% Pb:</b> No	<b>Spare Parts Only:</b> No
<b>Approved:</b>	<b>Renewed:</b>	<b>Bypass:</b>
<b>Notes:</b> 6"x6"x10" manifold, Model designation changed to 575M10		

---

<b>Type:</b> RP	<b>Manufacturer:</b> Wilkins	<b>Model:</b> MBC-8"
<b>Size:</b> 8	<b>Orientation:</b>	<b>Meters:</b>
<b>Manual:</b>	<b>0.25% Pb:</b> No	<b>Spare Parts Only:</b> No
<b>Approved:</b>	<b>Renewed:</b>	<b>Bypass:</b>
<b>Notes:</b> 4"x4"x8" manifold, Model designation changed to 575M8		

---

<b>Type:</b> RPDA	<b>Manufacturer:</b> Ames	<b>Model:</b> 5000
<b>Size:</b> 4	<b>Orientation:</b> H	<b>Meters:</b>
<b>Manual:</b> 8	<b>0.25% Pb:</b> No	(M),A,B,C,D,E,F,G,H,I,J,K,L,N,O,P,Q,T
<b>Approved:</b> 28-Dec-1989	<b>Renewed:</b> 28-Dec-2019	<b>Spare Parts Only:</b> Yes
<b>Shutoffs:</b> (uu),ee,ff,gg,hh,ll,mm,oo,pp,tt,ccc,ddd,ffff,gggg		<b>Bypass:</b> Conbraco 4020402 3/4 (H)

---

<b>Type:</b> RPDA	<b>Manufacturer:</b> Ames	<b>Model:</b> 5000
<b>Size:</b> 6	<b>Orientation:</b> H	<b>Meters:</b>
<b>Manual:</b> 8	<b>0.25% Pb:</b> No	(K),A,B,C,D,E,F,G,H,I,J,L,M,N,O,P,Q,T
<b>Approved:</b> 28-Dec-1989	<b>Renewed:</b> 28-Dec-2019	<b>Spare Parts Only:</b> Yes
<b>Shutoffs:</b> (uu),ee,ff,gg,hh,ll,mm,oo,pp,tt,ccc,ddd,ffff,gggg		<b>Bypass:</b> Conbraco 4020402 3/4 (H)

**Type:** RPDA                                    **Manufacturer:** Ames                                    **Model:** 5000  
**Size:** 8    **Orientation:** H    **Meters:**  
(K),A,B,C,D,E,F,G,H,I,J,L,M,N,O,P,Q,T  
**Manual:** 8                                        **0.25% Pb:** No    **Spare Parts Only:** Yes  
**Approved:** 01-Jul-1989                                    **Renewed:** 01-Jul-2022                                    **Bypass:** Conbraco 4020402 3/4 (H)  
**Shutoffs:** (uu),ee,ff,gg,hh,ll,mm,oo,pp,tt,ccc,ddd,ffff,gggg

---

**Type:** RPDA                                    **Manufacturer:** Ames                                    **Model:** 5000  
**Size:** 10    **Orientation:** H    **Meters:**  
(M),A,B,C,D,E,F,G,H,I,J,K,L,N,O,P,Q,T  
**Manual:** 8                                        **0.25% Pb:** No    **Spare Parts Only:** Yes  
**Approved:** 19-Mar-1990                                    **Renewed:** 19-Mar-2020                                    **Bypass:** Conbraco 4020402 3/4 (H)  
**Shutoffs:** uu,ee,ff,gg,hh,ll,mm,oo,pp,tt,ccc,ddd,ffff,gggg

---

**Type:** RPDA                                    **Manufacturer:** Ames                                    **Model:** 5000CIV  
**Size:** 2 1/2    **Orientation:** H    **Meters:**  
(H),C,D,E,F,G,I,J,K,L,M,N,O,P,Q,T  
**Manual:** 8                                        **0.25% Pb:** No    **Spare Parts Only:** Yes  
**Approved:** 07-Jul-2000                                    **Renewed:** 07-Jul-2021                                    **Bypass:** Watts 909QT 3/4 (H)  
**Shutoffs:** (pp),hh,mm,uu

---

**Type:** RPDA                                    **Manufacturer:** Ames                                    **Model:** 5000CIV  
**Size:** 3    **Orientation:** H    **Meters:**  
(N),B,C,D,E,F,G,H,I,J,K,L,M,O,P,Q,T  
**Manual:** 8                                        **0.25% Pb:** No    **Spare Parts Only:** Yes  
**Approved:** 07-Jul-2000                                    **Renewed:** 07-Jul-2021                                    **Bypass:** Watts 909QT 3/4 (H)  
**Shutoffs:** (pp),hh,mm,uu,eee

---

**Type:** RPDA                                    **Manufacturer:** Ames                                    **Model:** 5000CIV  
**Size:** 4    **Orientation:** H    **Meters:**  
(N),B,C,D,E,F,G,H,I,J,K,L,M,O,P,Q,T  
**Manual:** 8                                        **0.25% Pb:** No    **Spare Parts Only:** Yes  
**Approved:** 07-Jul-2000                                    **Renewed:** 07-Jul-2021                                    **Bypass:** Watts 909QT 3/4 (H)  
**Shutoffs:** (pp),hh,mm,uu,eee

---

**Type:** RPDA                                    **Manufacturer:** Ames                                    **Model:** 5000CIV  
**Size:** 6    **Orientation:** H    **Meters:**  
(N),B,C,D,E,F,G,H,I,J,K,L,M,O,P,Q,T  
**Manual:** 8                                        **0.25% Pb:** No    **Spare Parts Only:** Yes  
**Approved:** 07-Jul-2000                                    **Renewed:** 07-Jul-2021                                    **Bypass:** Watts 909QT 3/4 (H)  
**Shutoffs:** (pp),hh,mm,uu,eee

**Type:** RPDA                                      **Manufacturer:** Ames                                      **Model:** 5000CIV  
**Size:** 8    **Orientation:** H    **Meters:**  
(N),B,C,D,E,F,G,H,I,J,K,L,M,O,P,Q,T  
**Manual:** 8    **0.25% Pb:** No    **Spare Parts Only:** Yes  
**Approved:** 07-Jul-2000                                      **Renewed:** 07-Jul-2021                                      **Bypass:** Watts 909QT 3/4 (H)  
**Shutoffs:** (pp),hh,mm,uu,eee

---

**Type:** RPDA                                      **Manufacturer:** Ames                                      **Model:** 5000CIV  
**Size:** 10    **Orientation:** H    **Meters:**  
(N),B,C,D,E,F,G,H,I,J,K,L,M,O,P,Q,T  
**Manual:** 8    **0.25% Pb:** No    **Spare Parts Only:** Yes  
**Approved:** 07-Jul-2000                                      **Renewed:** 07-Jul-2021                                      **Bypass:** Watts 909QT 3/4 (H)  
**Shutoffs:** (pp),hh,mm,uu,eee

---

**Type:** RPDA                                      **Manufacturer:** Ames                                      **Model:** Colt 500-GV  
**Size:** 2 1/2    **Orientation:** H    **Meters:** (N),H,I,J,K,L,M,N,O,P,Q  
**Manual:** 9    **0.25% Pb:** No    **Spare Parts Only:** No  
**Approved:** 20-Jun-2006                                      **Renewed:** 20-Jun-2021                                      **Bypass:** Watts 919QT 3/4" (H), Watts  
LF919QT 3/4" (H)  
**Shutoffs:** (zzz)

---

**Type:** RPDA                                      **Manufacturer:** Ames                                      **Model:** Colt 500-GV  
**Size:** 3    **Orientation:** H    **Meters:** (N),H,I,J,K,L,M,N,O,P,Q  
**Manual:** 9    **0.25% Pb:** No    **Spare Parts Only:** No  
**Approved:** 20-Jun-2006                                      **Renewed:** 20-Jun-2021                                      **Bypass:** Watts 919QT 3/4" (H), Watts  
LF919QT 3/4" (H)  
**Shutoffs:** (zzz)

---

**Type:** RPDA                                      **Manufacturer:** Ames                                      **Model:** Colt 500-GV  
**Size:** 4    **Orientation:** H    **Meters:** (N),H,I,J,K,L,M,N,O,P,Q  
**Manual:** 9    **0.25% Pb:** No    **Spare Parts Only:** No  
**Approved:** 20-Jun-2006                                      **Renewed:** 20-Jun-2021                                      **Bypass:** Watts 919QT 3/4" (H), Watts  
LF919QT 3/4" (H)  
**Shutoffs:** (zzz)

---

**Type:** RPDA                                      **Manufacturer:** Ames                                      **Model:** Colt 500-GV  
**Size:** 6    **Orientation:** H    **Meters:** (N),H,I,J,K,L,M,N,O,P,Q  
**Manual:** 9    **0.25% Pb:** No    **Spare Parts Only:** No  
**Approved:** 20-Jun-2006                                      **Renewed:** 20-Jun-2021                                      **Bypass:** Watts 919QT 3/4" (H), Watts  
LF919QT 3/4" (H)  
**Shutoffs:** (zzz)

**Type:** RPDA                                      **Manufacturer:** Ames                                      **Model:** Colt 500-GV  
**Size:** 8    **Orientation:** H    **Meters:** (N),H,I,J,K,L,M,N,O,P,Q  
**Manual:** 9    **0.25% Pb:** No    **Spare Parts Only:** No  
**Approved:** 15-Nov-2010                                      **Renewed:** 15-Nov-2019                                      **Bypass:** Watts 919QT 3/4" (H), Watts LF919QT 3/4" (H)  
**Shutoffs:** (zzz)

---

**Type:** RPDA                                      **Manufacturer:** Ames                                      **Model:** Colt 500-GV  
**Size:** 10    **Orientation:** H    **Meters:** (N),H,I,J,K,L,M,N,O,P,Q  
**Manual:** 9    **0.25% Pb:** No    **Spare Parts Only:** No  
**Approved:** 27-Sep-2010                                      **Renewed:** 27-Sep-2019                                      **Bypass:** Watts 919QT 3/4" (H), Watts LF919QT 3/4" (H)  
**Shutoffs:** (zzz)

---

**Type:** RPDA                                      **Manufacturer:** Ames                                      **Model:** Colt 500NBF  
**Size:** 2 1/2    **Orientation:** VUVD    **Meters:** (N),H,I,J,K,L,M,N,O,P,Q  
**Manual:** 9    **0.25% Pb:** No    **Spare Parts Only:** No  
**Approved:** 24-Jun-2013                                      **Renewed:** 24-Jun-2022                                      **Bypass:** Watts 919QT 3/4" (H), Watts LF919QT 3/4" (H)  
**Shutoffs:** (yyy)

---

**Type:** RPDA                                      **Manufacturer:** Ames                                      **Model:** Colt 500NBF  
**Size:** 3    **Orientation:** VUVD    **Meters:** (N),H,I,J,K,L,M,N,O,P,Q  
**Manual:** 9    **0.25% Pb:** No    **Spare Parts Only:** No  
**Approved:** 28-May-2009                                      **Renewed:** 28-May-2021                                      **Bypass:** Watts 919QT 3/4" (H), Watts LF919QT 3/4" (H)  
**Shutoffs:** (yyy)

---

**Type:** RPDA                                      **Manufacturer:** Ames                                      **Model:** Colt 500NBF  
**Size:** 4    **Orientation:** VUVD    **Meters:** (N),H,I,J,K,L,M,N,O,P,Q  
**Manual:** 9    **0.25% Pb:** No    **Spare Parts Only:** No  
**Approved:** 28-May-2009                                      **Renewed:** 28-May-2021                                      **Bypass:** Watts 919QT 3/4" (H), Watts LF919QT 3/4" (H)  
**Shutoffs:** (yyy)

---

**Type:** RPDA                                      **Manufacturer:** Ames                                      **Model:** Colt 500NBF  
**Size:** 8    **Orientation:** VUVD    **Meters:** (N),H,I,J,K,L,M,N,O,P,Q  
**Manual:** 9    **0.25% Pb:** No    **Spare Parts Only:** No  
**Approved:** 14-Jun-2013                                      **Renewed:** 14-Jun-2022                                      **Bypass:** Watts 919QT 3/4" (H), Watts LF919QT 3/4" (H)  
**Shutoffs:** (yyy)

**Type:** RPDA **Manufacturer:** Ames **Model:** Colt 500NGV  
**Size:** 2 1/2 **Orientation:** VUVD **Meters:** (N),H,I,J,K,L,M,N,O,P,Q  
**Manual:** 9 **0.25% Pb:** No **Spare Parts Only:** No  
**Approved:** 28-May-2009 **Renewed:** 28-May-2021 **Bypass:** Watts 919QT 3/4" (H), Watts LF919QT 3/4" (H)  
**Shutoffs:** (zzz)

---

**Type:** RPDA **Manufacturer:** Ames **Model:** Colt 500NGV  
**Size:** 3 **Orientation:** VUVD **Meters:** (N),H,I,J,K,L,M,N,O,P,Q  
**Manual:** 9 **0.25% Pb:** No **Spare Parts Only:** No  
**Approved:** 07-Apr-2009 **Renewed:** 07-Apr-2021 **Bypass:** Watts 919QT 3/4" (H), Watts LF919QT 3/4" (H)  
**Shutoffs:** (zzz)

---

**Type:** RPDA **Manufacturer:** Ames **Model:** Colt 500NGV  
**Size:** 4 **Orientation:** VUVD **Meters:** (N),H,I,J,K,L,M,N,O,P,Q  
**Manual:** 9 **0.25% Pb:** No **Spare Parts Only:** No  
**Approved:** 07-Apr-2009 **Renewed:** 07-Apr-2021 **Bypass:** Watts 919QT 3/4" (H), Watts LF919QT 3/4" (H)  
**Shutoffs:** (zzz)

---

**Type:** RPDA **Manufacturer:** Ames **Model:** Colt 500NGV  
**Size:** 6 **Orientation:** VUVD **Meters:** (N),H,I,J,K,L,M,N,O,P,Q  
**Manual:** 9 **0.25% Pb:** No **Spare Parts Only:** No  
**Approved:** 15-Nov-2010 **Renewed:** 15-Nov-2019 **Bypass:** Watts 919QT 3/4" (H), Watts LF919QT 3/4" (H)  
**Shutoffs:** (zzz)

---

**Type:** RPDA **Manufacturer:** Ames **Model:** Colt 500NGV  
**Size:** 8 **Orientation:** VUVD **Meters:** (N),H,I,J,K,L,M,N,O,P,Q  
**Manual:** 9 **0.25% Pb:** No **Spare Parts Only:** No  
**Approved:** 14-Jun-2013 **Renewed:** 14-Jun-2022 **Bypass:** Watts 919QT 3/4" (H), Watts LF919QT 3/4" (H)  
**Shutoffs:** (zzz)

---

**Type:** RPDA **Manufacturer:** Ames **Model:** Colt 500ZBF  
**Size:** 2 1/2 **Orientation:** VUVU **Meters:** (N),H,I,J,K,L,M,N,O,P,Q  
**Manual:** 9 **0.25% Pb:** No **Spare Parts Only:** No  
**Approved:** 24-Jun-2013 **Renewed:** 24-Jun-2022 **Bypass:** Watts 919QT 3/4" (H), Watts LF919QT 3/4" (H)  
**Shutoffs:** (yyy)

**Type:** RPDA                                    **Manufacturer:** Ames                                    **Model:** Colt 500ZBF  
**Size:** 3    **Orientation:** VUVU                                    **Meters:** (N),H,I,J,K,L,M,N,O,P,Q  
**Manual:** 9                                        **0.25% Pb:** No                                        **Spare Parts Only:** No  
**Approved:** 24-Jun-2013                                    **Renewed:** 24-Jun-2022                                    **Bypass:** Watts 919QT 3/4" (H), Watts LF919QT 3/4" (H)  
**Shutoffs:** (yyy)

---

**Type:** RPDA                                    **Manufacturer:** Ames                                    **Model:** Colt 500ZBF  
**Size:** 4    **Orientation:** VUVU                                    **Meters:** (N),H,I,J,K,L,M,N,O,P,Q  
**Manual:** 9                                        **0.25% Pb:** No                                        **Spare Parts Only:** No  
**Approved:** 24-Jun-2013                                    **Renewed:** 24-Jun-2022                                    **Bypass:** Watts 919QT 3/4" (H), Watts LF919QT 3/4" (H)  
**Shutoffs:** (yyy)

---

**Type:** RPDA                                    **Manufacturer:** Ames                                    **Model:** Colt 500ZBF  
**Size:** 8    **Orientation:** VUVU                                    **Meters:** (N),H,I,J,K,L,M,N,O,P,Q  
**Manual:** 9                                        **0.25% Pb:** No                                        **Spare Parts Only:** No  
**Approved:** 14-Jun-2013                                    **Renewed:** 14-Jun-2022                                    **Bypass:** Watts 919QT 3/4" (H), Watts LF919QT 3/4" (H)  
**Shutoffs:** (yyy)

---

**Type:** RPDA                                    **Manufacturer:** Ames                                    **Model:** Colt 500ZGV  
**Size:** 2 1/2                                        **Orientation:** VUVU                                    **Meters:** (N),H,I,J,K,L,M,N,O,P,Q  
**Manual:** 9                                        **0.25% Pb:** No                                        **Spare Parts Only:** No  
**Approved:** 24-Jun-2013                                    **Renewed:** 24-Jun-2022                                    **Bypass:** Watts 919QT 3/4" (H), Watts LF919QT 3/4" (H)  
**Shutoffs:** (zzz)

---

**Type:** RPDA                                    **Manufacturer:** Ames                                    **Model:** Colt 500ZGV  
**Size:** 3    **Orientation:** VUVU                                    **Meters:** (N),H,I,J,K,L,M,N,O,P,Q  
**Manual:** 9                                        **0.25% Pb:** No                                        **Spare Parts Only:** No  
**Approved:** 24-Jun-2013                                    **Renewed:** 24-Jun-2022                                    **Bypass:** Watts 919QT 3/4" (H), Watts LF919QT 3/4" (H)  
**Shutoffs:** (zzz)

---

**Type:** RPDA                                    **Manufacturer:** Ames                                    **Model:** Colt 500ZGV  
**Size:** 4    **Orientation:** VUVU                                    **Meters:** (N),H,I,J,K,L,M,N,O,P,Q  
**Manual:** 9                                        **0.25% Pb:** No                                        **Spare Parts Only:** No  
**Approved:** 24-Jun-2013                                    **Renewed:** 24-Jun-2022                                    **Bypass:** Watts 919QT 3/4" (H), Watts LF919QT 3/4" (H)  
**Shutoffs:** (zzz)

<b>Type:</b> RPDA	<b>Manufacturer:</b> Ames	<b>Model:</b> Colt 500ZGV
<b>Size:</b> 8	<b>Orientation:</b> VUVU	<b>Meters:</b> (N),H,I,J,K,L,M,N,O,P,Q
<b>Manual:</b> 9	<b>0.25% Pb:</b> No	<b>Spare Parts Only:</b> No
<b>Approved:</b> 14-Jun-2013	<b>Renewed:</b> 14-Jun-2022	<b>Bypass:</b> Watts 919QT 3/4" (H), Watts LF919QT 3/4" (H)
<b>Shutoffs:</b> (zzz)		

---

<b>Type:</b> RPDA	<b>Manufacturer:</b> Ames	<b>Model:</b> LFColt 500-GV
<b>Size:</b> 2 1/2	<b>Orientation:</b> H	<b>Meters:</b> (O)
<b>Manual:</b> 9	<b>0.25% Pb:</b> Yes	<b>Spare Parts Only:</b> No
<b>Approved:</b> 08-Jan-2014	<b>Renewed:</b> 08-Jan-2020	<b>Bypass:</b> Watts LF919QT 3/4" (H)
<b>Shutoffs:</b> (zzz)		
<b>Notes:</b> Lead free compliant version identified with NSF61 mark on meter		

---

<b>Type:</b> RPDA	<b>Manufacturer:</b> Ames	<b>Model:</b> LFColt 500-GV
<b>Size:</b> 3	<b>Orientation:</b> H	<b>Meters:</b> (O)
<b>Manual:</b> 9	<b>0.25% Pb:</b> Yes	<b>Spare Parts Only:</b> No
<b>Approved:</b> 08-Jan-2014	<b>Renewed:</b> 08-Jan-2020	<b>Bypass:</b> Watts LF919QT 3/4" (H)
<b>Shutoffs:</b> (zzz)		
<b>Notes:</b> Lead free compliant version identified with NSF61 mark on meter		

---

<b>Type:</b> RPDA	<b>Manufacturer:</b> Ames	<b>Model:</b> LFColt 500-GV
<b>Size:</b> 4	<b>Orientation:</b> H	<b>Meters:</b> (O)
<b>Manual:</b> 9	<b>0.25% Pb:</b> Yes	<b>Spare Parts Only:</b> No
<b>Approved:</b> 08-Jan-2014	<b>Renewed:</b> 08-Jan-2020	<b>Bypass:</b> Watts LF919QT 3/4" (H)
<b>Shutoffs:</b> (zzz)		
<b>Notes:</b> Lead free compliant version identified with NSF61 mark on meter		

---

<b>Type:</b> RPDA	<b>Manufacturer:</b> Ames	<b>Model:</b> LFColt 500-GV
<b>Size:</b> 6	<b>Orientation:</b> H	<b>Meters:</b> (O)
<b>Manual:</b> 9	<b>0.25% Pb:</b> Yes	<b>Spare Parts Only:</b> No
<b>Approved:</b> 08-Jan-2014	<b>Renewed:</b> 08-Jan-2020	<b>Bypass:</b> Watts LF919QT 3/4" (H)
<b>Shutoffs:</b> (zzz)		
<b>Notes:</b> Lead free compliant version identified with NSF61 mark on meter		

---

<b>Type:</b> RPDA	<b>Manufacturer:</b> Ames	<b>Model:</b> LFColt 500GV
<b>Size:</b> 2 1/2	<b>Orientation:</b> H	<b>Meters:</b> (O)
<b>Manual:</b> 9	<b>0.25% Pb:</b> Yes	<b>Spare Parts Only:</b> No
<b>Approved:</b> 08-Jan-2014	<b>Renewed:</b> 08-Jan-2020	<b>Bypass:</b> Watts LF919QT 3/4" (H)
<b>Shutoffs:</b> (zzz)		
<b>Notes:</b> Lead free compliant version identified with NSF61 mark on meter		





**Type:** RPDA                                    **Manufacturer:** Ames                                    **Model:** LFColt 500NBF  
**Size:** 3    **Orientation:** VUVD                                    **Meters:** (O)  
**Manual:** 9                                        **0.25% Pb:** Yes                                        **Spare Parts Only:** No  
**Approved:** 08-Jan-2014                                    **Renewed:** 08-Jan-2020                                    **Bypass:** Watts LF919QT 3/4" (H)  
**Shutoffs:** (zzz)  
**Notes:** Lead free compliant version identified with NSF61 mark on meter

---

**Type:** RPDA                                    **Manufacturer:** Ames                                    **Model:** LFColt 500NBF  
**Size:** 4    **Orientation:** VUVD                                    **Meters:** (O)  
**Manual:** 9                                        **0.25% Pb:** Yes                                        **Spare Parts Only:** No  
**Approved:** 08-Jan-2014                                    **Renewed:** 08-Jan-2020                                    **Bypass:** Watts LF919QT 3/4" (H)  
**Shutoffs:** (zzz)  
**Notes:** Lead free compliant version identified with NSF61 mark on meter

---

**Type:** RPDA                                    **Manufacturer:** Ames                                    **Model:** LFColt 500NGV  
**Size:** 2 1/2                                        **Orientation:** VUVD                                    **Meters:** (O)  
**Manual:** 9                                        **0.25% Pb:** Yes                                        **Spare Parts Only:** No  
**Approved:** 08-Jan-2014                                    **Renewed:** 08-Jan-2020                                    **Bypass:** Watts LF919QT 3/4" (H)  
**Shutoffs:** (zzz)  
**Notes:** Lead free compliant version identified with NSF61 mark on meter

---

**Type:** RPDA                                    **Manufacturer:** Ames                                    **Model:** LFColt 500NGV  
**Size:** 3    **Orientation:** VUVD                                    **Meters:** (O)  
**Manual:** 9                                        **0.25% Pb:** Yes                                        **Spare Parts Only:** No  
**Approved:** 08-Jan-2014                                    **Renewed:** 08-Jan-2020                                    **Bypass:** Watts LF919QT 3/4" (H)  
**Shutoffs:** (zzz)  
**Notes:** Lead free compliant version identified with NSF61 mark on meter

---

**Type:** RPDA                                    **Manufacturer:** Ames                                    **Model:** LFColt 500NGV  
**Size:** 4    **Orientation:** VUVD                                    **Meters:** (O)  
**Manual:** 9                                        **0.25% Pb:** Yes                                        **Spare Parts Only:** No  
**Approved:** 08-Jan-2014                                    **Renewed:** 08-Jan-2020                                    **Bypass:** Watts LF919QT 3/4" (H)  
**Shutoffs:** (zzz)  
**Notes:** Lead free compliant version identified with NSF61 mark on meter

---

**Type:** RPDA                                    **Manufacturer:** Ames                                    **Model:** LFColt 500ZBF  
**Size:** 2 1/2                                        **Orientation:** VUVD                                    **Meters:** (O)  
**Manual:** 9                                        **0.25% Pb:** Yes                                        **Spare Parts Only:** No  
**Approved:** 08-Jan-2014                                    **Renewed:** 08-Jan-2020                                    **Bypass:** Watts LF919QT 3/4" (H)  
**Shutoffs:** (zzz)  
**Notes:** Lead free compliant version identified with NSF61 mark on meter

**Type:** RPDA                                    **Manufacturer:** Ames                                    **Model:** LFColt 500ZBF  
**Size:** 3    **Orientation:** VUVD                                    **Meters:** (O)  
**Manual:** 9                                        **0.25% Pb:** Yes                                        **Spare Parts Only:** No  
**Approved:** 08-Jan-2014                        **Renewed:** 08-Jan-2020                                **Bypass:** Watts LF919QT 3/4" (H)  
**Shutoffs:** (zzz)  
**Notes:** Lead free compliant version identified with NSF61 mark on meter

---

**Type:** RPDA                                    **Manufacturer:** Ames                                    **Model:** LFColt 500ZBF  
**Size:** 4    **Orientation:** VUVD                                    **Meters:** (O)  
**Manual:** 9                                        **0.25% Pb:** Yes                                        **Spare Parts Only:** No  
**Approved:** 08-Jan-2014                        **Renewed:** 08-Jan-2020                                **Bypass:** Watts LF919QT 3/4" (H)  
**Shutoffs:** (zzz)  
**Notes:** Lead free compliant version identified with NSF61 mark on meter

---

**Type:** RPDA                                    **Manufacturer:** Ames                                    **Model:** LFColt 500ZGV  
**Size:** 2 1/2                                        **Orientation:** VUVD                                    **Meters:** (O)  
**Manual:** 9                                        **0.25% Pb:** Yes                                        **Spare Parts Only:** No  
**Approved:** 08-Jan-2014                        **Renewed:** 08-Jan-2020                                **Bypass:** Watts LF919QT 3/4" (H)  
**Shutoffs:** (zzz)  
**Notes:** Lead free compliant version identified with NSF61 mark on meter

---

**Type:** RPDA                                    **Manufacturer:** Ames                                    **Model:** LFColt 500ZGV  
**Size:** 3    **Orientation:** VUVD                                    **Meters:** (O)  
**Manual:** 9                                        **0.25% Pb:** Yes                                        **Spare Parts Only:** No  
**Approved:** 08-Jan-2014                        **Renewed:** 08-Jan-2020                                **Bypass:** Watts LF919QT 3/4" (H)  
**Shutoffs:** (zzz)  
**Notes:** Lead free compliant version identified with NSF61 mark on meter

---

**Type:** RPDA                                    **Manufacturer:** Ames                                    **Model:** LFColt 500ZGV  
**Size:** 4    **Orientation:** VUVD                                    **Meters:** (O)  
**Manual:** 9                                        **0.25% Pb:** Yes                                        **Spare Parts Only:** No  
**Approved:** 08-Jan-2014                        **Renewed:** 08-Jan-2020                                **Bypass:** Watts LF919QT 3/4" (H)  
**Shutoffs:** (zzz)  
**Notes:** Lead free compliant version identified with NSF61 mark on meter

---

**Type:** RPDA                                    **Manufacturer:** Ames                                    **Model:** LFMaxim 500GV  
**Size:** 2 1/2                                        **Orientation:** H                                        **Meters:** (O)  
**Manual:** 9                                        **0.25% Pb:** Yes                                        **Spare Parts Only:** No  
**Approved:** 08-Jan-2014                        **Renewed:** 08-Jan-2020                                **Bypass:** Watts LF919QT 3/4" (H)  
**Shutoffs:** (zzz)  
**Notes:** Lead free compliant version identified with NSF61 mark on meter

**Type:** RPDA                      **Manufacturer:** Ames                      **Model:** LFMaxim 500GV  
**Size:** 3                              **Orientation:** H                              **Meters:** (O)  
**Manual:** 9                              **0.25% Pb:** Yes                              **Spare Parts Only:** No  
**Approved:** 08-Jan-2014                      **Renewed:** 08-Jan-2020                      **Bypass:** Watts LF919QT 3/4" (H)  
**Shutoffs:** (zzz)  
**Notes:** Lead free compliant version identified with NSF61 mark on meter

---

**Type:** RPDA                      **Manufacturer:** Ames                      **Model:** LFMaxim 500GV  
**Size:** 4                              **Orientation:** H                              **Meters:** (O)  
**Manual:** 9                              **0.25% Pb:** Yes                              **Spare Parts Only:** No  
**Approved:** 08-Jan-2014                      **Renewed:** 08-Jan-2020                      **Bypass:** Watts LF919QT 3/4" (H)  
**Shutoffs:** (zzz)  
**Notes:** Lead free compliant version identified with NSF61 mark on meter

---

**Type:** RPDA                      **Manufacturer:** Ames                      **Model:** LFMaxim 500GV  
**Size:** 6                              **Orientation:** H                              **Meters:** (M)  
**Manual:** 9                              **0.25% Pb:** Yes                              **Spare Parts Only:** No  
**Approved:** 13-Aug-2015                      **Renewed:** 13-Aug-2021                      **Bypass:** Watts LF919QT 3/4" (H)  
**Shutoffs:** (zzz)  
**Notes:** Lead free compliant version identified with NSF61 mark on meter

---

**Type:** RPDA                      **Manufacturer:** Ames                      **Model:** LFMaxim 500GV  
**Size:** 8                              **Orientation:** H                              **Meters:** (M)  
**Manual:** 9                              **0.25% Pb:** Yes                              **Spare Parts Only:** No  
**Approved:** 12-Oct-2015                      **Renewed:** 12-Oct-2021                      **Bypass:** Watts LF919QT 3/4" (H)  
**Shutoffs:** (zzz)  
**Notes:** Lead free compliant version identified with NSF61 mark on meter

---

**Type:** RPDA                      **Manufacturer:** Ames                      **Model:** LFMaxim 500GV  
**Size:** 10                              **Orientation:** H                              **Meters:** (M)  
**Manual:** 9                              **0.25% Pb:** Yes                              **Spare Parts Only:** No  
**Approved:** 12-Oct-2015                      **Renewed:** 12-Oct-2021                      **Bypass:** Watts LF919QT 3/4" (H)  
**Shutoffs:** (zzz)  
**Notes:** Lead free compliant version identified with NSF61 mark on meter

---

**Type:** RPDA                      **Manufacturer:** Ames                      **Model:** LFMaxim 500NBF  
**Size:** 2 1/2                              **Orientation:** VUVD                              **Meters:** (O)  
**Manual:** 9                              **0.25% Pb:** Yes                              **Spare Parts Only:** No  
**Approved:** 08-Jan-2014                      **Renewed:** 08-Jan-2020                      **Bypass:** Watts LF919QT 3/4" (H)  
**Shutoffs:** (zzz)  
**Notes:** Lead free compliant version identified with NSF61 mark on meter

**Type:** RPDA                                      **Manufacturer:** Ames                                      **Model:** LFMaxim 500NBF  
**Size:** 3    **Orientation:** VUVD                                      **Meters:** (O)  
**Manual:** 9    **0.25% Pb:** Yes    **Spare Parts Only:** No  
**Approved:** 08-Jan-2014                                      **Renewed:** 08-Jan-2020                                      **Bypass:** Watts LF919QT 3/4" (H)  
**Shutoffs:** (zzz)  
**Notes:** Lead free compliant version identified with NSF61 mark on meter

---

**Type:** RPDA                                      **Manufacturer:** Ames                                      **Model:** LFMaxim 500NGV  
**Size:** 2 1/2    **Orientation:** VUVD                                      **Meters:** (O)  
**Manual:** 9    **0.25% Pb:** Yes    **Spare Parts Only:** No  
**Approved:** 08-Jan-2014                                      **Renewed:** 08-Jan-2020                                      **Bypass:** Watts LF919QT 3/4" (H)  
**Shutoffs:** (zzz)  
**Notes:** Lead free compliant version identified with NSF61 mark on meter

---

**Type:** RPDA                                      **Manufacturer:** Ames                                      **Model:** LFMaxim 500NGV  
**Size:** 3    **Orientation:** VUVD                                      **Meters:** (O)  
**Manual:** 9    **0.25% Pb:** Yes    **Spare Parts Only:** No  
**Approved:** 08-Jan-2014                                      **Renewed:** 08-Jan-2020                                      **Bypass:** Watts LF919QT 3/4" (H)  
**Shutoffs:** (zzz)  
**Notes:** Lead free compliant version identified with NSF61 mark on meter

---

**Type:** RPDA                                      **Manufacturer:** Ames                                      **Model:** LFMaxim 500ZBF  
**Size:** 2 1/2    **Orientation:** VUVD                                      **Meters:** (O)  
**Manual:** 9    **0.25% Pb:** Yes    **Spare Parts Only:** No  
**Approved:** 08-Jan-2014                                      **Renewed:** 08-Jan-2020                                      **Bypass:** Watts LF919QT 3/4" (H)  
**Shutoffs:** (zzz)  
**Notes:** Lead free compliant version identified with NSF61 mark on meter

---

**Type:** RPDA                                      **Manufacturer:** Ames                                      **Model:** LFMaxim 500ZBF  
**Size:** 3    **Orientation:** VUVD                                      **Meters:** (O)  
**Manual:** 9    **0.25% Pb:** Yes    **Spare Parts Only:** No  
**Approved:** 08-Jan-2014                                      **Renewed:** 08-Jan-2020                                      **Bypass:** Watts LF919QT 3/4" (H)  
**Shutoffs:** (zzz)  
**Notes:** Lead free compliant version identified with NSF61 mark on meter

---

**Type:** RPDA                                      **Manufacturer:** Ames                                      **Model:** LFMaxim 500ZGV  
**Size:** 2 1/2    **Orientation:** VUVD                                      **Meters:** (O)  
**Manual:** 9    **0.25% Pb:** Yes    **Spare Parts Only:** No  
**Approved:** 08-Jan-2014                                      **Renewed:** 08-Jan-2020                                      **Bypass:** Watts LF919QT 3/4" (H)  
**Shutoffs:** (zzz)  
**Notes:** Lead free compliant version identified with NSF61 mark on meter

**Type:** RPDA  
**Size:** 3  
**Manual:** 9  
**Approved:** 08-Jan-2014  
**Shutoffs:** (zzz)  
**Notes:** Lead free compliant version identified with NSF61 mark on meter

**Manufacturer:** Ames  
**Orientation:** VUVD  
**0.25% Pb:** Yes  
**Renewed:** 08-Jan-2020

**Model:** LFMaxim 500ZGV  
**Meters:** (O)  
**Spare Parts Only:** No  
**Bypass:** Watts LF919QT 3/4" (H)

---

**Type:** RPDA  
**Size:** 2 1/2  
**Manual:** 9  
**Approved:** 20-Jun-2006  
**Shutoffs:** (zzz)

**Manufacturer:** Ames  
**Orientation:** H  
**0.25% Pb:** No  
**Renewed:** 20-Jun-2021

**Model:** Maxim 500-GV  
**Meters:** (N),H,I,J,K,L,M,N,O,P,Q  
**Spare Parts Only:** No  
**Bypass:** Watts 919QT 3/4" (H), Watts LF919QT 3/4" (H)

---

**Type:** RPDA  
**Size:** 3  
**Manual:** 9  
**Approved:** 20-Jun-2006  
**Shutoffs:** (zzz)

**Manufacturer:** Ames  
**Orientation:** H  
**0.25% Pb:** No  
**Renewed:** 20-Jun-2021

**Model:** Maxim 500-GV  
**Meters:** (N),H,I,J,K,L,M,N,O,P,Q  
**Spare Parts Only:** No  
**Bypass:** Watts 919QT 3/4" (H), Watts LF919QT 3/4" (H)

---

**Type:** RPDA  
**Size:** 4  
**Manual:** 9  
**Approved:** 20-Jun-2006  
**Shutoffs:** (zzz)

**Manufacturer:** Ames  
**Orientation:** H  
**0.25% Pb:** No  
**Renewed:** 20-Jun-2021

**Model:** Maxim 500-GV  
**Meters:** (N),H,I,J,K,L,M,N,O,P,Q  
**Spare Parts Only:** No  
**Bypass:** Watts 919QT 3/4" (H), Watts LF919QT 3/4" (H)

---

**Type:** RPDA  
**Size:** 6  
**Manual:** 9  
**Approved:** 15-Nov-2010  
**Shutoffs:** (zzz)

**Manufacturer:** Ames  
**Orientation:** H  
**0.25% Pb:** No  
**Renewed:** 15-Nov-2019

**Model:** Maxim 500-GV  
**Meters:** (N),H,I,J,K,L,M,N,O,P,Q  
**Spare Parts Only:** No  
**Bypass:** Watts 919QT 3/4" (H), Watts LF919QT 3/4" (H)

---

**Type:** RPDA  
**Size:** 8  
**Manual:** 9  
**Approved:** 27-Sep-2010  
**Shutoffs:** (zzz)

**Manufacturer:** Ames  
**Orientation:** H  
**0.25% Pb:** No  
**Renewed:** 27-Sep-2019

**Model:** Maxim 500-GV  
**Meters:** (N),H,I,J,K,L,M,N,O,P,Q  
**Spare Parts Only:** No  
**Bypass:** Watts 919QT 3/4" (H), Watts LF919QT 3/4" (H)

<b>Type:</b> RPDA	<b>Manufacturer:</b> Ames	<b>Model:</b> Maxim 500-GV
<b>Size:</b> 10	<b>Orientation:</b> H	<b>Meters:</b> (N),H,I,J,K,L,M,N,O,P,Q
<b>Manual:</b> 9	<b>0.25% Pb:</b> No	<b>Spare Parts Only:</b> No
<b>Approved:</b> 27-Sep-2010	<b>Renewed:</b> 27-Sep-2019	<b>Bypass:</b> Watts 919QT 3/4" (H), Watts LF919QT 3/4" (H)
<b>Shutoffs:</b> (zzz)		

---

<b>Type:</b> RPDA	<b>Manufacturer:</b> Ames	<b>Model:</b> Maxim 500NBF
<b>Size:</b> 2 1/2	<b>Orientation:</b> VUVD	<b>Meters:</b> (N),H,I,J,K,L,M,N,O,P,Q
<b>Manual:</b> 9	<b>0.25% Pb:</b> No	<b>Spare Parts Only:</b> No
<b>Approved:</b> 24-Jun-2013	<b>Renewed:</b> 24-Jun-2022	<b>Bypass:</b> Watts 919QT 3/4" (H), Watts LF919QT 3/4" (H)
<b>Shutoffs:</b> (yyy)		

---

<b>Type:</b> RPDA	<b>Manufacturer:</b> Ames	<b>Model:</b> Maxim 500NBF
<b>Size:</b> 3	<b>Orientation:</b> VUVD	<b>Meters:</b> (N),H,I,J,K,L,M,N,O,P,Q
<b>Manual:</b> 9	<b>0.25% Pb:</b> No	<b>Spare Parts Only:</b> No
<b>Approved:</b> 07-Apr-2009	<b>Renewed:</b> 07-Apr-2021	<b>Bypass:</b> Watts 919QT 3/4" (H), Watts LF919QT 3/4" (H)
<b>Shutoffs:</b> (yyy)		

---

<b>Type:</b> RPDA	<b>Manufacturer:</b> Ames	<b>Model:</b> Maxim 500NBF
<b>Size:</b> 4	<b>Orientation:</b> VUVD	<b>Meters:</b> (N),H,I,J,K,L,M,N,O,P,Q
<b>Manual:</b> 9	<b>0.25% Pb:</b> No	<b>Spare Parts Only:</b> No
<b>Approved:</b> 15-Nov-2010	<b>Renewed:</b> 15-Nov-2019	<b>Bypass:</b> Watts 919QT 3/4" (H), Watts LF919QT 3/4" (H)
<b>Shutoffs:</b> (yyy)		

---

<b>Type:</b> RPDA	<b>Manufacturer:</b> Ames	<b>Model:</b> Maxim 500NBF
<b>Size:</b> 6	<b>Orientation:</b> VUVD	<b>Meters:</b> (N),H,I,J,K,L,M,N,O,P,Q
<b>Manual:</b> 9	<b>0.25% Pb:</b> No	<b>Spare Parts Only:</b> No
<b>Approved:</b> 14-Jun-2013	<b>Renewed:</b> 14-Jun-2022	<b>Bypass:</b> Watts 919QT 3/4" (H), Watts LF919QT 3/4" (H)
<b>Shutoffs:</b> (yyy)		

---

<b>Type:</b> RPDA	<b>Manufacturer:</b> Ames	<b>Model:</b> Maxim 500NGV
<b>Size:</b> 2 1/2	<b>Orientation:</b> VUVD	<b>Meters:</b> (N),H,I,J,K,L,M,N,O,P,Q
<b>Manual:</b> 9	<b>0.25% Pb:</b> No	<b>Spare Parts Only:</b> No
<b>Approved:</b> 07-Apr-2009	<b>Renewed:</b> 07-Apr-2021	<b>Bypass:</b> Watts 919QT 3/4" (H), Watts LF919QT 3/4" (H)
<b>Shutoffs:</b> (zzz)		

**Type:** RPDA                           **Manufacturer:** Ames                           **Model:** Maxim 500NGV  
**Size:** 3                                   **Orientation:** VUVD                           **Meters:** (N),H,I,J,K,L,M,N,O,P,Q  
**Manual:** 9                                   **0.25% Pb:** No                               **Spare Parts Only:** No  
**Approved:** 07-Apr-2009                   **Renewed:** 07-Apr-2021                   **Bypass:** Watts 919QT 3/4" (H), Watts LF919QT 3/4" (H)  
**Shutoffs:** (zzz)

---

**Type:** RPDA                           **Manufacturer:** Ames                           **Model:** Maxim 500NGV  
**Size:** 4                                   **Orientation:** VUVD                           **Meters:** (N),H,I,J,K,L,M,N,O,P,Q  
**Manual:** 9                                   **0.25% Pb:** No                               **Spare Parts Only:** No  
**Approved:** 15-Nov-2010                   **Renewed:** 15-Nov-2019                   **Bypass:** Watts 919QT 3/4" (H), Watts LF919QT 3/4" (H)  
**Shutoffs:** (zzz)

---

**Type:** RPDA                           **Manufacturer:** Ames                           **Model:** Maxim 500NGV  
**Size:** 6                                   **Orientation:** VUVD                           **Meters:** (N),H,I,J,K,L,M,N,O,P,Q  
**Manual:** 9                                   **0.25% Pb:** No                               **Spare Parts Only:** No  
**Approved:** 14-Jun-2013                   **Renewed:** 14-Jun-2022                   **Bypass:** Watts 919QT 3/4" (H), Watts LF919QT 3/4" (H)  
**Shutoffs:** (zzz)

---

**Type:** RPDA                           **Manufacturer:** Ames                           **Model:** Maxim 500ZBF  
**Size:** 2 1/2                               **Orientation:** VUVU                           **Meters:** (N),H,I,J,K,L,M,N,O,P,Q  
**Manual:** 9                                   **0.25% Pb:** No                               **Spare Parts Only:** No  
**Approved:** 24-Jun-2013                   **Renewed:** 24-Jun-2022                   **Bypass:** Watts 919QT 3/4" (H), Watts LF919QT 3/4" (H)  
**Shutoffs:** (yyy)

---

**Type:** RPDA                           **Manufacturer:** Ames                           **Model:** Maxim 500ZBF  
**Size:** 3                                   **Orientation:** VUVU                           **Meters:** (N),H,I,J,K,L,M,N,O,P,Q  
**Manual:** 9                                   **0.25% Pb:** No                               **Spare Parts Only:** No  
**Approved:** 24-Jun-2013                   **Renewed:** 24-Jun-2022                   **Bypass:** Watts 919QT 3/4" (H), Watts LF919QT 3/4" (H)  
**Shutoffs:** (yyy)

---

**Type:** RPDA                           **Manufacturer:** Ames                           **Model:** Maxim 500ZBF  
**Size:** 6                                   **Orientation:** VUVU                           **Meters:** (N),H,I,J,K,L,M,N,O,P,Q  
**Manual:** 9                                   **0.25% Pb:** No                               **Spare Parts Only:** No  
**Approved:** 14-Jun-2013                   **Renewed:** 14-Jun-2022                   **Bypass:** Watts 919QT 3/4" (H), Watts LF919QT 3/4" (H)  
**Shutoffs:** (yyy)



**Type:** RPDA  
**Size:** 2 1/2  
**Manual:** 9  
**Approved:** 24-Jun-2013  
**Shutoffs:** (zzz)

**Manufacturer:** Ames  
**Orientation:** VUVU  
**0.25% Pb:** No  
**Renewed:** 24-Jun-2022

**Model:** Maxim 500ZGV  
**Meters:** (N),H,I,J,K,L,M,N,O,P,Q  
**Spare Parts Only:** No  
**Bypass:** Watts 919QT 3/4" (H), Watts LF919QT 3/4" (H)

---

**Type:** RPDA  
**Size:** 3  
**Manual:** 9  
**Approved:** 24-Jun-2013  
**Shutoffs:** (zzz)

**Manufacturer:** Ames  
**Orientation:** VUVU  
**0.25% Pb:** No  
**Renewed:** 24-Jun-2022

**Model:** Maxim 500ZGV  
**Meters:** (N),H,I,J,K,L,M,N,O,P,Q  
**Spare Parts Only:** No  
**Bypass:** Watts 919QT 3/4" (H), Watts LF919QT 3/4" (H)

---

**Type:** RPDA  
**Size:** 6  
**Manual:** 9  
**Approved:** 14-Jun-2013  
**Shutoffs:** (zzz)

**Manufacturer:** Ames  
**Orientation:** VUVU  
**0.25% Pb:** No  
**Renewed:** 14-Jun-2022

**Model:** Maxim 500ZGV  
**Meters:** (N),H,I,J,K,L,M,N,O,P,Q  
**Spare Parts Only:** No  
**Bypass:** Watts 919QT 3/4" (H), Watts LF919QT 3/4" (H)

---

**Type:** RPDA  
**Size:** 2 1/2  
**Manual:** 10  
**Approved:** 10-Jun-2014  
**Shutoffs:** (yyy), cccc, dddd, mmmm, nnnn, xxxxx, yyyyy, zzzzz, aaaaaa, xxxxxx

**Manufacturer:** Apollo/Conbraco  
**Orientation:** H  
**0.25% Pb:** Yes  
**Renewed:** 10-Jun-2020

**Model:** RPDALF4A  
**Meters:** (P),O  
**Spare Parts Only:** No  
**Bypass:** Apollo RPLF4A 1/2" (H)

---

**Type:** RPDA  
**Size:** 3  
**Manual:** 10  
**Approved:** 10-Jun-2014  
**Shutoffs:** (yyy), cccc, dddd, mmmm, nnnn, xxxxx, yyyyy, zzzzz, aaaaaa, xxxxxx

**Manufacturer:** Apollo/Conbraco  
**Orientation:** H  
**0.25% Pb:** Yes  
**Renewed:** 10-Jun-2020

**Model:** RPDALF4A  
**Meters:** (P),O  
**Spare Parts Only:** No  
**Bypass:** Apollo RPLF4A 1/2" (H)

---

**Type:** RPDA  
**Size:** 4  
**Manual:** 10  
**Approved:** 24-Jun-2013  
**Shutoffs:** (yyy), cccc, dddd, mmmm, nnnn, xxxxx, yyyyy, zzzzz, aaaaaa, xxxxxx

**Manufacturer:** Apollo/Conbraco  
**Orientation:** H  
**0.25% Pb:** Yes  
**Renewed:** 24-Jun-2022

**Model:** RPDALF4A  
**Meters:** (P),G,H,I,J,K,L,M,N,O,Q,T  
**Spare Parts Only:** No  
**Bypass:** Apollo RPLF4A 1/2" (H)









**Type:** RPDA                                      **Manufacturer:** Febco                                      **Model:** 826YD  
**Size:** 2 1/2                                      **Orientation:** H                                      **Meters:**  
(M),B,C,D,E,F,G,H,I,J,K,L,N,O,P,Q,T  
**Manual:** 8                                      **0.25% Pb:** No                                      **Spare Parts Only:** Yes  
**Approved:** 11-Nov-1988                                      **Renewed:** 11-Nov-2021                                      **Bypass:** Febco 825Y 3/4 (H)  
**Shutoffs:** (ff),mm,oo,pp,uu,zzz,ffff,gggg  
**Notes:** formerly 826 Type YD

---

**Type:** RPDA                                      **Manufacturer:** Febco                                      **Model:** 826YD  
**Size:** 3                                      **Orientation:** H                                      **Meters:**  
(M),B,C,D,E,F,G,H,I,J,K,L,N,O,P,Q,T  
**Manual:** 8                                      **0.25% Pb:** No                                      **Spare Parts Only:** Yes  
**Approved:** 11-Nov-1988                                      **Renewed:** 11-Nov-2021                                      **Bypass:** Febco 825Y 3/4 (H)  
**Shutoffs:** (ff),mm,oo,pp,uu,zzz,ffff,gggg  
**Notes:** formerly 826 Type YD

---

**Type:** RPDA                                      **Manufacturer:** Febco                                      **Model:** 826YD  
**Size:** 4                                      **Orientation:** H                                      **Meters:**  
(M),B,C,D,E,F,G,H,I,J,K,L,N,O,P,Q,T  
**Manual:** 8                                      **0.25% Pb:** No                                      **Spare Parts Only:** Yes  
**Approved:** 14-Oct-1988                                      **Renewed:** 14-Oct-2021                                      **Bypass:** Febco 825Y 3/4 (H)  
**Shutoffs:** (ff),mm,oo,pp,uu,zzz,ffff,gggg  
**Notes:** formerly 826 Type YD

---

**Type:** RPDA                                      **Manufacturer:** Febco                                      **Model:** 826YD  
**Size:** 6                                      **Orientation:** H                                      **Meters:**  
(M),B,C,D,E,F,G,H,I,J,K,L,N,O,P,Q,T  
**Manual:** 8                                      **0.25% Pb:** No                                      **Spare Parts Only:** Yes  
**Approved:** 01-Mar-1990                                      **Renewed:** 01-Mar-2020                                      **Bypass:** Febco 825Y 3/4 (H)  
**Shutoffs:** (ff),mm,oo,pp,uu,zzz,ffff,gggg  
**Notes:** formerly 826 Type YD

---

**Type:** RPDA                                      **Manufacturer:** Febco                                      **Model:** 826YD  
**Size:** 8                                      **Orientation:** H                                      **Meters:**  
(M),B,C,D,E,F,G,H,I,J,K,L,N,O,P,Q,T  
**Manual:** 8                                      **0.25% Pb:** No                                      **Spare Parts Only:** Yes  
**Approved:** 22-Jun-1990                                      **Renewed:** 22-Jun-2020                                      **Bypass:** Febco 825Y 3/4 (H)  
**Shutoffs:** (ff),mm,oo,pp,uu,zzz,ffff,gggg  
**Notes:** formerly 826 Type YD



**Type:** RPDA                      **Manufacturer:** Watts                      **Model:** 909RPDA  
**Size:** 4                              **Orientation:** H                              **Meters:**  
(N),B,C,D,E,F,G,H,I,J,K,L,M,O,P,Q,T,U  
**Manual:** 8                              **0.25% Pb:** No                              **Spare Parts Only:** No  
**Approved:** 09-Feb-1988                      **Renewed:** 09-Feb-2021                      **Bypass:** Watts 909QT 3/4 (H)  
**Shutoffs:** (pp),hh,mm,uu,zz,eee,ffff,gggg

---

**Type:** RPDA                      **Manufacturer:** Watts                      **Model:** 909RPDA  
**Size:** 6                              **Orientation:** H                              **Meters:**  
(N),B,C,D,E,F,G,H,I,J,K,L,M,O,P,Q,T,U  
**Manual:** 8                              **0.25% Pb:** No                              **Spare Parts Only:** No  
**Approved:** 05-Oct-1988                      **Renewed:** 05-Oct-2021                      **Bypass:** Watts 909QT 3/4 (H)  
**Shutoffs:** (pp),hh,mm,uu,zz,eee,ffff,gggg  
**Notes:** formerly 909DDC

---

**Type:** RPDA                      **Manufacturer:** Watts                      **Model:** 909RPDA  
**Size:** 8                              **Orientation:** H                              **Meters:**  
(N),B,C,D,E,F,G,H,I,J,K,L,M,O,P,Q,T,U  
**Manual:** 8                              **0.25% Pb:** No                              **Spare Parts Only:** No  
**Approved:** 14-Feb-1988                      **Renewed:** 14-Feb-2021                      **Bypass:** Watts 909QT 3/4 (H)  
**Shutoffs:** (pp),hh,mm,uu,zz,eee,ffff,gggg

---

**Type:** RPDA                      **Manufacturer:** Watts                      **Model:** 909RPDA  
**Size:** 10                              **Orientation:** H                              **Meters:**  
(N),B,C,D,E,F,G,H,I,J,K,L,M,O,P,Q,T,U  
**Manual:** 8                              **0.25% Pb:** No                              **Spare Parts Only:** No  
**Approved:** 15-Feb-1988                      **Renewed:** 15-Feb-2021                      **Bypass:** Watts 909QT 3/4 (H)  
**Shutoffs:** (pp),hh,mm,uu,zz,eee,ffff,gggg

---

**Type:** RPDA                      **Manufacturer:** Watts                      **Model:** 957NRPDA-BF  
**Size:** 2 1/2                              **Orientation:** VUVD                              **Meters:** (N),H,I,J,K,L,M,N,O,P,Q  
**Manual:** 9                              **0.25% Pb:** No                              **Spare Parts Only:** No  
**Approved:** 24-Jun-2013                      **Renewed:** 24-Jun-2022                      **Bypass:** Watts 919QT 3/4" (H), Watts  
LF919QT 3/4" (H)  
**Shutoffs:** (yyy)

---

**Type:** RPDA                      **Manufacturer:** Watts                      **Model:** 957NRPDA-BF  
**Size:** 3                              **Orientation:** VUVD                              **Meters:** (N),H,I,J,K,L,M,N,O,P,Q  
**Manual:** 9                              **0.25% Pb:** No                              **Spare Parts Only:** No  
**Approved:** 07-Apr-2009                      **Renewed:** 07-Apr-2021                      **Bypass:** Watts 919QT 3/4" (H), Watts  
LF919QT 3/4" (H)  
**Shutoffs:** (yyy)





**Type:** RPDA                           **Manufacturer:** Watts                           **Model:** 957NRPDA-GV  
**Size:** 8                                   **Orientation:** VUVD                           **Meters:** (N),H,I,J,K,L,M,N,O,P,Q  
**Manual:** 9                               **0.25% Pb:** No                               **Spare Parts Only:** No  
**Approved:** 14-Jun-2013               **Renewed:** 14-Jun-2022                   **Bypass:** Watts 919QT 3/4" (H), Watts LF919QT 3/4" (H)  
**Shutoffs:** (zzz)

---

**Type:** RPDA                           **Manufacturer:** Watts                           **Model:** 957RPDA-GV  
**Size:** 2 1/2                               **Orientation:** H                               **Meters:** (N), H, I J, K L, M, N, O, P, Q  
**Manual:** 9                               **0.25% Pb:** No                               **Spare Parts Only:** No  
**Approved:** 20-Jun-2006               **Renewed:** 20-Jun-2021                   **Bypass:** Watts 919QT 3/4" (H), Watts LF919QT 3/4" (H)  
**Shutoffs:** (zzz)

---

**Type:** RPDA                           **Manufacturer:** Watts                           **Model:** 957RPDA-GV  
**Size:** 3                                   **Orientation:** H                               **Meters:** (N), H, I J, K L, M, N, O, P, Q  
**Manual:** 9                               **0.25% Pb:** No                               **Spare Parts Only:** No  
**Approved:** 20-Jun-2006               **Renewed:** 20-Jun-2021                   **Bypass:** Watts 919QT 3/4" (H), Watts LF919QT 3/4" (H)  
**Shutoffs:** (zzz)

---

**Type:** RPDA                           **Manufacturer:** Watts                           **Model:** 957RPDA-GV  
**Size:** 4                                   **Orientation:** H                               **Meters:** (N), H, I J, K L, M, N, O, P, Q  
**Manual:** 9                               **0.25% Pb:** No                               **Spare Parts Only:** No  
**Approved:** 20-Jun-2006               **Renewed:** 20-Jun-2021                   **Bypass:** Watts 919QT 3/4" (H), Watts LF919QT 3/4" (H)  
**Shutoffs:** (zzz)

---

**Type:** RPDA                           **Manufacturer:** Watts                           **Model:** 957RPDA-GV  
**Size:** 6                                   **Orientation:** H                               **Meters:** (N), H, I J, K L, M, N, O, P, Q  
**Manual:** 9                               **0.25% Pb:** No                               **Spare Parts Only:** No  
**Approved:** 20-Jun-2006               **Renewed:** 20-Jun-2021                   **Bypass:** Watts 919QT 3/4" (H), Watts LF919QT 3/4" (H)  
**Shutoffs:** (zzz)

---

**Type:** RPDA                           **Manufacturer:** Watts                           **Model:** 957RPDA-GV  
**Size:** 8                                   **Orientation:** H                               **Meters:** (N),H,I,J,K,L,M,N,O,P,Q  
**Manual:** 9                               **0.25% Pb:** No                               **Spare Parts Only:** No  
**Approved:** 15-Nov-2010               **Renewed:** 15-Nov-2019                   **Bypass:** Watts 919QT 3/4" (H), Watts LF919QT 3/4" (H)  
**Shutoffs:** (zzz)

**Type:** RPDA  
**Size:** 10  
**Manual:** 9  
**Approved:** 27-Sep-2010  
**Shutoffs:** (zzz)

**Manufacturer:** Watts  
**Orientation:** H  
**0.25% Pb:** No  
**Renewed:** 27-Sep-2019

**Model:** 957RPDA-GV  
**Meters:** (N), H, I J, K L, M, N, O, P, Q  
**Spare Parts Only:** No  
**Bypass:** Watts 919QT 3/4" (H), Watts LF919QT 3/4" (H)

---

**Type:** RPDA  
**Size:** 2 1/2  
**Manual:** 9  
**Approved:** 24-Jun-2013  
**Shutoffs:** (yyy)

**Manufacturer:** Watts  
**Orientation:** VUVU  
**0.25% Pb:** No  
**Renewed:** 24-Jun-2022

**Model:** 957ZRPDA-BF  
**Meters:** (N),H,I,J,K,L,M,N,O,P,Q  
**Spare Parts Only:** No  
**Bypass:** Watts 919QT 3/4" (H), Watts LF919QT 3/4" (H)

---

**Type:** RPDA  
**Size:** 3  
**Manual:** 9  
**Approved:** 24-Jun-2013  
**Shutoffs:** (yyy)

**Manufacturer:** Watts  
**Orientation:** VUVU  
**0.25% Pb:** No  
**Renewed:** 24-Jun-2022

**Model:** 957ZRPDA-BF  
**Meters:** (N),H,I,J,K,L,M,N,O,P,Q  
**Spare Parts Only:** No  
**Bypass:** Watts 919QT 3/4" (H), Watts LF919QT 3/4" (H)

---

**Type:** RPDA  
**Size:** 4  
**Manual:** 9  
**Approved:** 24-Jun-2013  
**Shutoffs:** (yyy)

**Manufacturer:** Watts  
**Orientation:** VUVU  
**0.25% Pb:** No  
**Renewed:** 24-Jun-2022

**Model:** 957ZRPDA-BF  
**Meters:** (N),H,I,J,K,L,M,N,O,P,Q  
**Spare Parts Only:** No  
**Bypass:** Watts 919QT 3/4" (H), Watts LF919QT 3/4" (H)

---

**Type:** RPDA  
**Size:** 8  
**Manual:** 9  
**Approved:** 14-Jun-2013  
**Shutoffs:** (yyy)

**Manufacturer:** Watts  
**Orientation:** VUVU  
**0.25% Pb:** No  
**Renewed:** 14-Jun-2022

**Model:** 957ZRPDA-BF  
**Meters:** (N),H,I,J,K,L,M,N,O,P,Q  
**Spare Parts Only:** No  
**Bypass:** Watts 919QT 3/4" (H), Watts LF919QT 3/4" (H)

---

**Type:** RPDA  
**Size:** 2 1/2  
**Manual:** 9  
**Approved:** 24-Jun-2013  
**Shutoffs:** (zzz)

**Manufacturer:** Watts  
**Orientation:** VUVU  
**0.25% Pb:** No  
**Renewed:** 24-Jun-2022

**Model:** 957ZRPDA-GV  
**Meters:** (N),H,I,J,K,L,M,N,O,P,Q  
**Spare Parts Only:** No  
**Bypass:** Watts 919QT 3/4" (H), Watts LF919QT 3/4" (H)

**Type:** RPDA                                   **Manufacturer:** Watts                                   **Model:** 957ZRPDA-GV  
**Size:** 3   **Orientation:** VUVU                                   **Meters:** (N),H,I,J,K,L,M,N,O,P,Q  
**Manual:** 9                                       **0.25% Pb:** No                                       **Spare Parts Only:** No  
**Approved:** 24-Jun-2013                                   **Renewed:** 24-Jun-2022                                   **Bypass:** Watts 919QT 3/4" (H), Watts LF919QT 3/4" (H)  
**Shutoffs:** (zzz)

---

**Type:** RPDA                                   **Manufacturer:** Watts                                   **Model:** 957ZRPDA-GV  
**Size:** 4   **Orientation:** VUVU                                   **Meters:** (N),H,I,J,K,L,M,N,O,P,Q  
**Manual:** 9                                       **0.25% Pb:** No                                       **Spare Parts Only:** No  
**Approved:** 24-Jun-2013                                   **Renewed:** 24-Jun-2022                                   **Bypass:** Watts 919QT 3/4" (H), Watts LF919QT 3/4" (H)  
**Shutoffs:** (zzz)

---

**Type:** RPDA                                   **Manufacturer:** Watts                                   **Model:** 957ZRPDA-GV  
**Size:** 8   **Orientation:** VUVU                                   **Meters:** (N),H,I,J,K,L,M,N,O,P,Q  
**Manual:** 9                                       **0.25% Pb:** No                                       **Spare Parts Only:** No  
**Approved:** 14-Jun-2013                                   **Renewed:** 14-Jun-2022                                   **Bypass:** Watts 919QT 3/4" (H), Watts LF919QT 3/4" (H)  
**Shutoffs:** (zzz)

---

**Type:** RPDA                                   **Manufacturer:** Watts                                   **Model:** 967NRPDA-BF  
**Size:** 2 1/2                                       **Orientation:** VUVD                                   **Meters:** (N),H,I,J,K,L,M,N,O,P,Q  
**Manual:** 9                                       **0.25% Pb:** No                                       **Spare Parts Only:** No  
**Approved:** 24-Jun-2013                                   **Renewed:** 24-Jun-2022                                   **Bypass:** Watts 919QT 3/4" (H), Watts LF919QT 3/4" (H)  
**Shutoffs:** (yyy)

---

**Type:** RPDA                                   **Manufacturer:** Watts                                   **Model:** 967NRPDA-BF  
**Size:** 3   **Orientation:** VUVD                                   **Meters:** (N),H,I,J,K,L,M,N,O,P,Q  
**Manual:** 9                                       **0.25% Pb:** No                                       **Spare Parts Only:** No  
**Approved:** 07-Apr-2009                                   **Renewed:** 07-Apr-2021                                   **Bypass:** Watts 919QT 3/4" (H), Watts LF919QT 3/4" (H)  
**Shutoffs:** (yyy)

---

**Type:** RPDA                                   **Manufacturer:** Watts                                   **Model:** 967NRPDA-BF  
**Size:** 4   **Orientation:** VUVD                                   **Meters:** (N),H,I,J,K,L,M,N,O,P,Q  
**Manual:** 9                                       **0.25% Pb:** No                                       **Spare Parts Only:** No  
**Approved:** 15-Nov-2010                                   **Renewed:** 15-Nov-2019                                   **Bypass:** Watts 919QT 3/4" (H), Watts LF919QT 3/4" (H)  
**Shutoffs:** (yyy)

**Type:** RPDA  
**Size:** 6  
**Manual:** 9  
**Approved:** 14-Jun-2013  
**Shutoffs:** (yyy)

**Manufacturer:** Watts  
**Orientation:** VUVD  
**0.25% Pb:** No  
**Renewed:** 14-Jun-2022

**Model:** 967NRPDA-BF  
**Meters:** (N),H,I,J,K,L,M,N,O,P,Q  
**Spare Parts Only:** No  
**Bypass:** Watts 919QT 3/4" (H), Watts LF919QT 3/4" (H)

---

**Type:** RPDA  
**Size:** 2 1/2  
**Manual:** 9  
**Approved:** 07-Apr-2009  
**Shutoffs:** (zzz)

**Manufacturer:** Watts  
**Orientation:** VUVD  
**0.25% Pb:** No  
**Renewed:** 07-Apr-2021

**Model:** 967NRPDA-GV  
**Meters:** (N),H,I,J,K,L,M,N,O,P,Q  
**Spare Parts Only:** No  
**Bypass:** Watts 919QT 3/4" (H), Watts LF919QT 3/4" (H)

---

**Type:** RPDA  
**Size:** 3  
**Manual:** 9  
**Approved:** 07-Apr-2009  
**Shutoffs:** (zzz)

**Manufacturer:** Watts  
**Orientation:** VUVD  
**0.25% Pb:** No  
**Renewed:** 07-Apr-2021

**Model:** 967NRPDA-GV  
**Meters:** (N),H,I,J,K,L,M,N,O,P,Q  
**Spare Parts Only:** No  
**Bypass:** Watts 919QT 3/4" (H), Watts LF919QT 3/4" (H)

---

**Type:** RPDA  
**Size:** 4  
**Manual:** 9  
**Approved:** 15-Nov-2010  
**Shutoffs:** (zzz)

**Manufacturer:** Watts  
**Orientation:** VUVD  
**0.25% Pb:** No  
**Renewed:** 15-Nov-2019

**Model:** 967NRPDA-GV  
**Meters:** (N),H,I,J,K,L,M,N,O,P,Q  
**Spare Parts Only:** No  
**Bypass:** Watts 919QT 3/4" (H), Watts LF919QT 3/4" (H)

---

**Type:** RPDA  
**Size:** 6  
**Manual:** 9  
**Approved:** 14-Jun-2013  
**Shutoffs:** (zzz)

**Manufacturer:** Watts  
**Orientation:** VUVD  
**0.25% Pb:** No  
**Renewed:** 14-Jun-2022

**Model:** 967NRPDA-GV  
**Meters:** (N),H,I,J,K,L,M,N,O,P,Q  
**Spare Parts Only:** No  
**Bypass:** Watts 919QT 3/4" (H), Watts LF919QT 3/4" (H)

---

**Type:** RPDA  
**Size:** 2 1/2  
**Manual:** 9  
**Approved:** 20-Jun-2006  
**Shutoffs:** (zzz)

**Manufacturer:** Watts  
**Orientation:** H  
**0.25% Pb:** No  
**Renewed:** 20-Jun-2021

**Model:** 967RPDA-GV  
**Meters:** (N), H, I, J, K, L, M, N, O, P, Q  
**Spare Parts Only:** No  
**Bypass:** Watts 919QT 3/4" (H), Watts LF919QT 3/4" (H)

**Type:** RPDA                              **Manufacturer:** Watts                              **Model:** 967RPDA-GV  
**Size:** 3    **Orientation:** H    **Meters:** (N), H, I J, K L, M, N, O, P, Q  
**Manual:** 9    **0.25% Pb:** No    **Spare Parts Only:** No  
**Approved:** 20-Jun-2006                              **Renewed:** 20-Jun-2021                              **Bypass:** Watts 919QT 3/4" (H), Watts LF919QT 3/4" (H)  
**Shutoffs:** (zzz)

---

**Type:** RPDA                              **Manufacturer:** Watts                              **Model:** 967RPDA-GV  
**Size:** 4    **Orientation:** H    **Meters:** (N), H, I J, K L, M, N, O, P, Q  
**Manual:** 9    **0.25% Pb:** No    **Spare Parts Only:** No  
**Approved:** 20-Jun-2006                              **Renewed:** 20-Jun-2021                              **Bypass:** Watts 919QT 3/4" (H), Watts LF919QT 3/4" (H)  
**Shutoffs:** (zzz)

---

**Type:** RPDA                              **Manufacturer:** Watts                              **Model:** 967RPDA-GV  
**Size:** 6    **Orientation:** H    **Meters:** (N),H,I,J,K,L,M,N,O,P,Q  
**Manual:** 9    **0.25% Pb:** No    **Spare Parts Only:** No  
**Approved:** 15-Nov-2010                              **Renewed:** 15-Nov-2019                              **Bypass:** Watts 919QT 3/4" (H), Watts LF919QT 3/4" (H)  
**Shutoffs:** (zzz)

---

**Type:** RPDA                              **Manufacturer:** Watts                              **Model:** 967RPDA-GV  
**Size:** 8    **Orientation:** H    **Meters:** (N), H, I J, K L, M, N, O, P, Q  
**Manual:** 9    **0.25% Pb:** No    **Spare Parts Only:** No  
**Approved:** 27-Sep-2010                              **Renewed:** 27-Sep-2019                              **Bypass:** Watts 919QT 3/4" (H), Watts LF919QT 3/4" (H)  
**Shutoffs:** (zzz)

---

**Type:** RPDA                              **Manufacturer:** Watts                              **Model:** 967RPDA-GV  
**Size:** 10    **Orientation:** H    **Meters:** (N), H, I J, K L, M, N, O, P, Q  
**Manual:** 9    **0.25% Pb:** No    **Spare Parts Only:** No  
**Approved:** 27-Sep-2010                              **Renewed:** 27-Sep-2019                              **Bypass:** Watts 919QT 3/4" (H), Watts LF919QT 3/4" (H)  
**Shutoffs:** (zzz)

---

**Type:** RPDA                              **Manufacturer:** Watts                              **Model:** 967ZRPDA-BF  
**Size:** 2 1/2    **Orientation:** VUVU    **Meters:** (N),H,I,J,K,L,M,N,O,P,Q  
**Manual:** 9    **0.25% Pb:** No    **Spare Parts Only:** No  
**Approved:** 24-Jun-2013                              **Renewed:** 24-Jun-2022                              **Bypass:** Watts 919QT 3/4" (H), Watts LF919QT 3/4" (H)  
**Shutoffs:** (yyy)

**Type:** RPDA **Manufacturer:** Watts **Model:** 967ZRPDA-BF  
**Size:** 3 **Orientation:** VUVU **Meters:** (N),H,I,J,K,L,M,N,O,P,Q  
**Manual:** 9 **0.25% Pb:** No **Spare Parts Only:** No  
**Approved:** 24-Jun-2013 **Renewed:** 24-Jun-2022 **Bypass:** Watts 919QT 3/4" (H), Watts LF919QT 3/4" (H)  
**Shutoffs:** (yyy)

---

**Type:** RPDA **Manufacturer:** Watts **Model:** 967ZRPDA-BF  
**Size:** 6 **Orientation:** VUVU **Meters:** (N),H,I,J,K,L,M,N,O,P,Q  
**Manual:** 9 **0.25% Pb:** No **Spare Parts Only:** No  
**Approved:** 14-Jun-2013 **Renewed:** 14-Jun-2022 **Bypass:** Watts 919QT 3/4" (H), Watts LF919QT 3/4" (H)  
**Shutoffs:** (yyy)

---

**Type:** RPDA **Manufacturer:** Watts **Model:** 967ZRPDA-GV  
**Size:** 2 1/2 **Orientation:** VUVU **Meters:** (N),H,I,J,K,L,M,N,O,P,Q  
**Manual:** 9 **0.25% Pb:** No **Spare Parts Only:** No  
**Approved:** 24-Jun-2013 **Renewed:** 24-Jun-2022 **Bypass:** Watts 919QT 3/4" (H), Watts LF919QT 3/4" (H)  
**Shutoffs:** (zzz)

---

**Type:** RPDA **Manufacturer:** Watts **Model:** 967ZRPDA-GV  
**Size:** 3 **Orientation:** VUVU **Meters:** (N),H,I,J,K,L,M,N,O,P,Q  
**Manual:** 9 **0.25% Pb:** No **Spare Parts Only:** No  
**Approved:** 24-Jun-2013 **Renewed:** 24-Jun-2022 **Bypass:** Watts 919QT 3/4" (H), Watts LF919QT 3/4" (H)  
**Shutoffs:** (zzz)

---

**Type:** RPDA **Manufacturer:** Watts **Model:** 967ZRPDA-GV  
**Size:** 6 **Orientation:** VUVU **Meters:** (N),H,I,J,K,L,M,N,O,P,Q  
**Manual:** 9 **0.25% Pb:** No **Spare Parts Only:** No  
**Approved:** 14-Jun-2013 **Renewed:** 14-Jun-2022 **Bypass:** Watts 919QT 3/4" (H), Watts LF919QT 3/4" (H)  
**Shutoffs:** (zzz)

---

**Type:** RPDA **Manufacturer:** Watts **Model:** 990RPDA  
**Size:** 4 **Orientation:** H **Meters:**  
(H),A,B,C,D,E,F,G,I,J,K,L,M,N,O,P,Q,T  
**Manual:** 8 **0.25% Pb:** No **Spare Parts Only:** Yes  
**Approved:** 01-Nov-1992 **Renewed:** 01-Nov-2019 **Bypass:** Watts 009QT 3/4 (H)  
**Shutoffs:** pp,hh,mm,uu,zz

**Type:** RPDA                              **Manufacturer:** Watts                              **Model:** 990RPDA  
**Size:** 8                                      **Orientation:** H                                      **Meters:**  
(H),D,E,F,G,I,J,K,L,M,N,O,P,Q,T  
**Manual:** 8                                      **0.25% Pb:** No                                      **Spare Parts Only:** Yes  
**Approved:** 13-Jan-1993                              **Renewed:** 13-Jan-2020                              **Bypass:** Watts 009QT 3/4 (H)  
**Shutoffs:** oo,gg,hh,ll,mm,pp,tt,uu

---

**Type:** RPDA                              **Manufacturer:** Watts                              **Model:** 992RPDA  
**Size:** 4                                      **Orientation:** H                                      **Meters:**  
(H),A,B,C,D,E,F,G,I,J,K,L,M,N,O,P,Q,T  
**Manual:** 8                                      **0.25% Pb:** No                                      **Spare Parts Only:** Yes  
**Approved:** 01-Nov-1992                              **Renewed:** 01-Nov-2019                              **Bypass:** Watts 009QT 3/4 (H)  
**Shutoffs:** oo

---

**Type:** RPDA                              **Manufacturer:** Watts                              **Model:** 992RPDA  
**Size:** 10                                      **Orientation:** H                                      **Meters:**  
(H),D,E,F,G,I,J,K,L,M,N,O,P,Q,T  
**Manual:** 8                                      **0.25% Pb:** No                                      **Spare Parts Only:** Yes  
**Approved:** 13-Jan-1993                              **Renewed:** 13-Jan-2020                              **Bypass:** Watts 009QT 3/4 (H)  
**Shutoffs:** oo

---

**Type:** RPDA                              **Manufacturer:** Watts                              **Model:** LF957NRPDA-BF  
**Size:** 2 1/2                                      **Orientation:** VUVD                                      **Meters:** (O)  
**Manual:** 9                                      **0.25% Pb:** Yes                                      **Spare Parts Only:** No  
**Approved:** 08-Jan-2014                              **Renewed:** 08-Jan-2020                              **Bypass:** Watts LF919QT 3/4" (H)  
**Shutoffs:** (zzz)  
**Notes:** Lead free compliant version identified with NSF61 mark on meter

---

**Type:** RPDA                              **Manufacturer:** Watts                              **Model:** LF957NRPDA-BF  
**Size:** 3                                      **Orientation:** VUVD                                      **Meters:** (O)  
**Manual:** 9                                      **0.25% Pb:** Yes                                      **Spare Parts Only:** No  
**Approved:** 08-Jan-2014                              **Renewed:** 08-Jan-2020                              **Bypass:** Watts LF919QT 3/4" (H)  
**Shutoffs:** (zzz)  
**Notes:** Lead free compliant version identified with NSF61 mark on meter

---

**Type:** RPDA                              **Manufacturer:** Watts                              **Model:** LF957NRPDA-BF  
**Size:** 4                                      **Orientation:** VUVD                                      **Meters:** (O)  
**Manual:** 9                                      **0.25% Pb:** Yes                                      **Spare Parts Only:** No  
**Approved:** 08-Jan-2014                              **Renewed:** 08-Jan-2020                              **Bypass:** Watts LF919QT 3/4" (H)  
**Shutoffs:** (zzz)  
**Notes:** Lead free compliant version identified with NSF61 mark on meter



**Type:** RPDA                               **Manufacturer:** Watts                               **Model:** LF957NRPDA-GV  
**Size:** 2 1/2                               **Orientation:** VUVD                               **Meters:** (O)  
**Manual:** 9                               **0.25% Pb:** Yes                               **Spare Parts Only:** No  
**Approved:** 08-Jan-2014                               **Renewed:** 08-Jan-2020                               **Bypass:** Watts LF919QT 3/4" (H)  
**Shutoffs:** (zzz)  
**Notes:** Lead free compliant version identified with NSF61 mark on meter

---

**Type:** RPDA                               **Manufacturer:** Watts                               **Model:** LF957NRPDA-GV  
**Size:** 3                               **Orientation:** VUVD                               **Meters:** (O)  
**Manual:** 9                               **0.25% Pb:** Yes                               **Spare Parts Only:** No  
**Approved:** 08-Jan-2014                               **Renewed:** 08-Jan-2020                               **Bypass:** Watts LF919QT 3/4" (H)  
**Shutoffs:** (zzz)  
**Notes:** Lead free compliant version identified with NSF61 mark on meter

---

**Type:** RPDA                               **Manufacturer:** Watts                               **Model:** LF957NRPDA-GV  
**Size:** 4                               **Orientation:** VUVD                               **Meters:** (O)  
**Manual:** 9                               **0.25% Pb:** Yes                               **Spare Parts Only:** No  
**Approved:** 08-Jan-2014                               **Renewed:** 08-Jan-2020                               **Bypass:** Watts LF919QT 3/4" (H)  
**Shutoffs:** (zzz)  
**Notes:** Lead free compliant version identified with NSF61 mark on meter

---

**Type:** RPDA                               **Manufacturer:** Watts                               **Model:** LF957RPDA-GV  
**Size:** 2 1/2                               **Orientation:** H                               **Meters:** (O)  
**Manual:** 9                               **0.25% Pb:** Yes                               **Spare Parts Only:** No  
**Approved:** 15-May-2014                               **Renewed:** 15-May-2020                               **Bypass:** Watts LF919QT 3/4" (H)  
**Shutoffs:** (zzz)  
**Notes:** Water meter identified with NSF61 mark

---

**Type:** RPDA                               **Manufacturer:** Watts                               **Model:** LF957RPDA-GV  
**Size:** 3                               **Orientation:** H                               **Meters:** (O)  
**Manual:** 9                               **0.25% Pb:** Yes                               **Spare Parts Only:** No  
**Approved:** 15-May-2014                               **Renewed:** 15-May-2020                               **Bypass:** Watts LF919QT 3/4" (H)  
**Shutoffs:** (zzz)  
**Notes:** Water meter identified with NSF61 mark

---

**Type:** RPDA                               **Manufacturer:** Watts                               **Model:** LF957RPDA-GV  
**Size:** 4                               **Orientation:** H                               **Meters:** (O)  
**Manual:** 9                               **0.25% Pb:** Yes                               **Spare Parts Only:** No  
**Approved:** 15-May-2014                               **Renewed:** 15-May-2020                               **Bypass:** Watts LF919QT 3/4" (H)  
**Shutoffs:** (zzz)  
**Notes:** Water meter identified with NSF61 mark



**Type:** RPDA **Manufacturer:** Watts **Model:** LF957ZRPDA-GV  
**Size:** 2 1/2 **Orientation:** VUVD **Meters:** (O)  
**Manual:** 9 **0.25% Pb:** Yes **Spare Parts Only:** No  
**Approved:** 08-Jan-2014 **Renewed:** 08-Jan-2020 **Bypass:** Watts LF919QT 3/4" (H)  
**Shutoffs:** (zzz)  
**Notes:** Lead free compliant version identified with NSF61 mark on meter

---

**Type:** RPDA **Manufacturer:** Watts **Model:** LF957ZRPDA-GV  
**Size:** 3 **Orientation:** VUVD **Meters:** (O)  
**Manual:** 9 **0.25% Pb:** Yes **Spare Parts Only:** No  
**Approved:** 08-Jan-2014 **Renewed:** 08-Jan-2020 **Bypass:** Watts LF919QT 3/4" (H)  
**Shutoffs:** (zzz)  
**Notes:** Lead free compliant version identified with NSF61 mark on meter

---

**Type:** RPDA **Manufacturer:** Watts **Model:** LF957ZRPDA-GV  
**Size:** 4 **Orientation:** VUVD **Meters:** (O)  
**Manual:** 9 **0.25% Pb:** Yes **Spare Parts Only:** No  
**Approved:** 08-Jan-2014 **Renewed:** 08-Jan-2020 **Bypass:** Watts LF919QT 3/4" (H)  
**Shutoffs:** (zzz)  
**Notes:** Lead free compliant version identified with NSF61 mark on meter

---

**Type:** RPDA **Manufacturer:** Wilkins **Model:** 375ADA  
**Size:** 2 1/2 **Orientation:** H **Meters:** (M),H,I,J,K,L,N,O,P,Q  
**Manual:** 9 **0.25% Pb:** No **Spare Parts Only:** No  
**Approved:** 20-Oct-2008 **Renewed:** 20-Oct-2020 **Bypass:** Wilkins 975XLD 3/4 (H)  
**Shutoffs:** (qqq),ttt,www,yyy,zzz,uuuu,vvvv,xxxx,yyyy,kkkkk,lllll,iiiii,jjjjj,lllll,mmmmmm

---

**Type:** RPDA **Manufacturer:** Wilkins **Model:** 375ADA  
**Size:** 2 1/2 **Orientation:** H **Meters:** (O), M  
**Manual:** 9 **0.25% Pb:** Yes **Spare Parts Only:** No  
**Approved:** 18-Feb-2014 **Renewed:** 18-Feb-2020 **Bypass:** Wilkins 975XLD 3/4 (H)  
**Shutoffs:** (qqq),ttt,www,yyy,uuuu,vvvv,xxxx,yyyy,kkkkk,lllll,iiiii,jjjjj,lllll,mmmmmm  
**Notes:** Lead free compliant version: Starting Serial # Y09616; By-pass Assembly Starting Serial # 3863325 and identified with NSF61 mark on meter

---

**Type:** RPDA **Manufacturer:** Wilkins **Model:** 375ADA  
**Size:** 3 **Orientation:** H **Meters:** (M),H,I,J,K,L,N,O,P,Q  
**Manual:** 9 **0.25% Pb:** No **Spare Parts Only:** No  
**Approved:** 20-Oct-2008 **Renewed:** 20-Oct-2020 **Bypass:** Wilkins 975XLD 3/4 (H)  
**Shutoffs:** (qqq),ttt,www,yyy,zzz,uuuu,vvvv,xxxx,yyyy,kkkkk,lllll,iiiii,jjjjj,lllll,mmmmmm

<b>Type:</b> RPDA	<b>Manufacturer:</b> Wilkins	<b>Model:</b> 375ADA
<b>Size:</b> 3	<b>Orientation:</b> H	<b>Meters:</b> (O), M
<b>Manual:</b> 9	<b>0.25% Pb:</b> Yes	<b>Spare Parts Only:</b> No
<b>Approved:</b> 18-Feb-2014	<b>Renewed:</b> 18-Feb-2020	<b>Bypass:</b> Wilkins 975XLD 3/4 (H)

**Shutoffs:** (qqq),ttt,www,yyy,uuuu,vvvv,xxxx,yyyy,kkkkk,llll,iiiii,jjjjj,lllll,mmmmmm

**Notes:** Lead free compliant version: Starting Serial # Y09616; By-pass Assembly Starting Serial # 3863325 and identified with NSF61 mark on meter

---

<b>Type:</b> RPDA	<b>Manufacturer:</b> Wilkins	<b>Model:</b> 375ADA
<b>Size:</b> 4	<b>Orientation:</b> H	<b>Meters:</b> (M),B,C,D,E,F,G,H,I,J,K,L,N,O,P,Q,T
<b>Manual:</b> 9	<b>0.25% Pb:</b> No	<b>Spare Parts Only:</b> No
<b>Approved:</b> 02-Jun-2004	<b>Renewed:</b> 02-Jun-2022	<b>Bypass:</b> Wilkins 975XLD 3/4" (H)

**Shutoffs:** (qqq),ttt,www,yyy,zzz,eeee,uuuu,vvvv,xxxx,yyyy,kkkkk,llll,iiiii,jjjjj,lllll,mmmmmm

---

<b>Type:</b> RPDA	<b>Manufacturer:</b> Wilkins	<b>Model:</b> 375ADA
<b>Size:</b> 4	<b>Orientation:</b> H	<b>Meters:</b> (O), M
<b>Manual:</b> 9	<b>0.25% Pb:</b> Yes	<b>Spare Parts Only:</b> No
<b>Approved:</b> 18-Feb-2014	<b>Renewed:</b> 18-Feb-2020	<b>Bypass:</b> Wilkins 975XLD 3/4" (H)

**Shutoffs:** (qqq),ttt,www,yyy,xxxx,yyyy,kkkkk,llll,lllll,mmmmmm

**Notes:** Lead free compliant version: Starting Serial # Y09616; By-pass Assembly Starting Serial # 3863325 and identified with NSF61 mark on meter

---

<b>Type:</b> RPDA	<b>Manufacturer:</b> Wilkins	<b>Model:</b> 375ADA
<b>Size:</b> 6	<b>Orientation:</b> H	<b>Meters:</b> (M),C,D,E,F,G,H,I,J,K,L,N,O,P,Q,T
<b>Manual:</b> 9	<b>0.25% Pb:</b> No	<b>Spare Parts Only:</b> No
<b>Approved:</b> 25-Nov-2003	<b>Renewed:</b> 25-Nov-2021	<b>Bypass:</b> Wilkins 975XLD 3/4 (H)

**Shutoffs:** (qqq),ttt,www,yyy,zzz,eeee,uuuu,vvvv,xxxx,yyyy,kkkkk,llll,iiiii,jjjjj,lllll,mmmmmm

---

<b>Type:</b> RPDA	<b>Manufacturer:</b> Wilkins	<b>Model:</b> 375ADA
<b>Size:</b> 6	<b>Orientation:</b> H	<b>Meters:</b> (O), M
<b>Manual:</b> 9	<b>0.25% Pb:</b> Yes	<b>Spare Parts Only:</b> No
<b>Approved:</b> 18-Feb-2014	<b>Renewed:</b> 18-Feb-2020	<b>Bypass:</b> Wilkins 975XLD 3/4 (H)

**Shutoffs:** (qqq),ttt,www,yyy,xxxx,yyyy,kkkkk,llll,lllll,mmmmmm

**Notes:** Lead free compliant version: Starting Serial # Y09616; By-pass Assembly Starting Serial # 3863325 and identified with NSF61 mark on meter

**Type:** RPDA                                       **Manufacturer:** Wilkins                                       **Model:** 375ADA  
**Size:** 8   **Orientation:** H   **Meters:** (N),G,H,I,J,K,L,N,O,P,Q,T  
**Manual:** 9   **0.25% Pb:** No   **Spare Parts Only:** No  
**Approved:** 15-Jun-2004                                       **Renewed:** 15-Jun-2022                                       **Bypass:** Wilkins 975XLD 3/4" (H)  
**Shutoffs:** (qqq),ttt,www,yyy,zzz,eeee,uuuu,vvvv,xxxx,yyyy,kkkkk,lllll,iiiii,jjjjj,lllll,mmmmmm

---

**Type:** RPDA                                       **Manufacturer:** Wilkins                                       **Model:** 375ADA  
**Size:** 8   **Orientation:** H   **Meters:** (O), M  
**Manual:** 9   **0.25% Pb:** Yes   **Spare Parts Only:** No  
**Approved:** 18-Feb-2014                                       **Renewed:** 18-Feb-2020                                       **Bypass:** Wilkins 975XLD 3/4" (H)  
**Shutoffs:** (qqq),ttt,www,yyy,xxxx,yyyy,kkkkk,lllll,lllll,mmmmmm  
**Notes:** Lead free compliant version: Starting Serial # Y09616; By-pass Assembly Starting Serial # 3863325 and identified with NSF61 mark on meter

---

**Type:** RPDA                                       **Manufacturer:** Wilkins                                       **Model:** 375ADA  
**Size:** 10   **Orientation:** H   **Meters:** (N),H,I,J,K,L,M,N,O,P,Q  
**Manual:** 9   **0.25% Pb:** No   **Spare Parts Only:** No  
**Approved:** 11-Mar-2009                                       **Renewed:** 11-Mar-2021                                       **Bypass:** Wilkins 975XLD 3/4" (H)  
**Shutoffs:** (qqq),ttt,www,yyy,zzz,eeee,uuuu,vvvv,xxxx,yyyy,kkkkk,lllll,iiiii,jjjjj,lllll,mmmmmm

---

**Type:** RPDA                                       **Manufacturer:** Wilkins                                       **Model:** 375ADA  
**Size:** 10   **Orientation:** H   **Meters:** (O), M  
**Manual:** 9   **0.25% Pb:** Yes   **Spare Parts Only:** No  
**Approved:** 18-Feb-2014                                       **Renewed:** 18-Feb-2020                                       **Bypass:** Wilkins 975XLD 3/4" (H)  
**Shutoffs:** (qqq),ttt,www,yyy,xxxx,yyyy,kkkkk,lllll,lllll,mmmmmm  
**Notes:** Lead free compliant version: Starting Serial # Y09616; By-pass Assembly Starting Serial # 3863325 and identified with NSF61 mark on meter

---

**Type:** RPDA                                       **Manufacturer:** Wilkins                                       **Model:** 375ADAR  
**Size:** 2 1/2   **Orientation:** H   **Meters:** (M),H,I,J,K,L,N,O,P,Q  
**Manual:** 9   **0.25% Pb:** No   **Spare Parts Only:** No  
**Approved:** 16-Jun-2010                                       **Renewed:** 16-Jun-2022                                       **Bypass:** Wilkins 975XLD 3/4 (H)  
**Shutoffs:** (qqq),ttt,www,yyy,zzz,uuuu,vvvv,xxxx,yyyy,kkkkk,lllll,iiiii,jjjjj,lllll,mmmmmm  
**Notes:** Integral grooved spool between the #2 ck and #2 SOV - assembly length: min. 34 1/4" and max. 47 1/8"

---

**Type:** RPDA                                    **Manufacturer:** Wilkins                                    **Model:** 375ADAR  
**Size:** 2 1/2                                    **Orientation:** H                                    **Meters:** (O), M  
**Manual:** 9                                    **0.25% Pb:** Yes                                    **Spare Parts Only:** No  
**Approved:** 18-Feb-2014                                    **Renewed:** 18-Feb-2020                                    **Bypass:** Wilkins 975XLD 3/4 (H)  
**Shutoffs:** (qqq),ttt,www,yyy,uuuu,vvvv,xxxx,yyyy,kkkkk,llll,iiiii,jjjjj,lllll,mmmmmm  
**Notes:** Integral grooved spool between the #2 ck and #2 SOV - assembly length: min. 34 1/4" and max. 47 1/8" and Lead free compliant version: Starting Serial # T00466; By-pass Assembly Starting Serial # 3863325 and identified with NSF61 mark on meter

---

**Type:** RPDA                                    **Manufacturer:** Wilkins                                    **Model:** 375ADAR  
**Size:** 3                                    **Orientation:** H                                    **Meters:** (M),H,I,J,K,L,N,O,P,Q  
**Manual:** 9                                    **0.25% Pb:** No                                    **Spare Parts Only:** No  
**Approved:** 16-Jun-2010                                    **Renewed:** 16-Jun-2022                                    **Bypass:** Wilkins 975XLD 3/4 (H)  
**Shutoffs:** (qqq),ttt,www,yyy,zzz,uuuu,vvvv,xxxx,yyyy,kkkkk,llll,iiiii,jjjjj,lllll,mmmmmm  
**Notes:** Integral grooved spool between the #2 ck and #2 SOV - assembly length: min. 34 3/4" and max. 48 1/8"

---

**Type:** RPDA                                    **Manufacturer:** Wilkins                                    **Model:** 375ADAR  
**Size:** 3                                    **Orientation:** H                                    **Meters:** (O), M  
**Manual:** 9                                    **0.25% Pb:** Yes                                    **Spare Parts Only:** No  
**Approved:** 18-Feb-2014                                    **Renewed:** 18-Feb-2020                                    **Bypass:** Wilkins 975XLD 3/4 (H)  
**Shutoffs:** (qqq),ttt,www,yyy,uuuu,vvvv,xxxx,yyyy,kkkkk,llll,iiiii,jjjjj,lllll,mmmmmm  
**Notes:** Integral grooved spool between the #2 ck and #2 SOV - assembly length: min. 34 3/4" and max. 48 1/8" and Lead free compliant version: Starting Serial # T00466; By-pass Assembly Starting Serial # 3863325 and identified with NSF61 mark on meter

---

**Type:** RPDA                                    **Manufacturer:** Wilkins                                    **Model:** 375ADAR  
**Size:** 4                                    **Orientation:** H                                    **Meters:**  
(M),A,B,C,D,E,F,G,H,I,J,K,L,N,O,P,Q,T  
**Manual:** 9                                    **0.25% Pb:** No                                    **Spare Parts Only:** No  
**Approved:** 25-Mar-2010                                    **Renewed:** 25-Mar-2022                                    **Bypass:** Wilkins 975XLD 3/4 (H)  
**Shutoffs:** (qqq),ttt,www,yyy,zzz,eeee,uuuu,vvvv,xxxx,yyyy,kkkkk,llll,iiiii,jjjjj,lllll,mmmmmm  
**Notes:** Integral grooved spool between the #2 ck and #2 SOV - assembly length: min. 35 3/4" and max. 62 1/4"

---

**Type:** RPDA                                    **Manufacturer:** Wilkins                                    **Model:** 375ADAR  
**Size:** 4                                    **Orientation:** H                                    **Meters:** (O), M  
**Manual:** 9                                    **0.25% Pb:** Yes                                    **Spare Parts Only:** No  
**Approved:** 18-Feb-2014                                    **Renewed:** 18-Feb-2020                                    **Bypass:** Wilkins 975XLD 3/4 (H)  
**Shutoffs:** (qqq),ttt,www,yyy,xxxx,yyyy,kkkkk,llll,lllll,mmmmmm  
**Notes:** Integral grooved spool between the #2 ck and #2 SOV - assembly length: min. 35 3/4" and max. 62 1/4" and Lead free compliant version: Starting Serial # T00466; By-pass Assembly Starting Serial # 3863325 and identified with NSF61 mark on meter



**Type:** RPDA                                  **Manufacturer:** Wilkins                                  **Model:** 375ADAR  
**Size:** 10    **Orientation:** H    **Meters:** (O), M  
**Manual:** 9    **0.25% Pb:** Yes    **Spare Parts Only:** No  
**Approved:** 18-Feb-2014                                  **Renewed:** 18-Feb-2020                                  **Bypass:** Wilkins 975XLD 3/4 (H)  
**Shutoffs:** (qqq),ttt,www,yyy,xxxx,yyyy,kkkkk,lllll,lllll,mmmmmm  
**Notes:** Integral grooved spool between the #2 ck and #2 SOV - assembly length: min. 61 3/8" and max. 100 5/8" and Lead free compliant version: Starting Serial # T00466; By-pass Assembly Starting Serial # 3863325 and identified with NSF61 mark on meter

---

**Type:** RPDA                                  **Manufacturer:** Wilkins                                  **Model:** 375ASTDA  
**Size:** 2 1/2    **Orientation:** H    **Meters:** (M),H,I,J,K,L,N,O,P,Q  
**Manual:** 10    **0.25% Pb:** No    **Spare Parts Only:** No  
**Approved:** 14-Jun-2013                                  **Renewed:** 14-Jun-2022                                  **Bypass:** Wilkins 975XLD 3/4 (H)  
**Shutoffs:** (yyy),qqq,ttt,uuuu,vvvv,xxxx,yyyy,kkkkk,lllll,iiiii,jjjjj,lllll,mmmmmm

---

**Type:** RPDA                                  **Manufacturer:** Wilkins                                  **Model:** 375ASTDA  
**Size:** 2 1/2    **Orientation:** H    **Meters:** (O), M  
**Manual:** 10    **0.25% Pb:** Yes    **Spare Parts Only:** No  
**Approved:** 20-Feb-2014                                  **Renewed:** 20-Feb-2020                                  **Bypass:** Wilkins 975XLD 3/4 (H)  
**Shutoffs:** (yyy),qqq,ttt,uuuu,vvvv,xxxx,yyyy,kkkkk,lllll,iiiii,jjjjj,lllll,mmmmmm  
**Notes:** Lead free compliant version: By-pass Assembly Starting Serial # 3863325 and identified with NSF61 mark on meter

---

**Type:** RPDA                                  **Manufacturer:** Wilkins                                  **Model:** 375ASTDA  
**Size:** 3    **Orientation:** H    **Meters:** (M),H,I,J,K,L,N,O,P,Q  
**Manual:** 10    **0.25% Pb:** No    **Spare Parts Only:** No  
**Approved:** 14-Jun-2013                                  **Renewed:** 14-Jun-2022                                  **Bypass:** Wilkins 975XLD 3/4 (H)  
**Shutoffs:** (yyy),qqq,ttt,uuuu,vvvv,xxxx,yyyy,kkkkk,lllll,iiiii,jjjjj,lllll,mmmmmm

---

**Type:** RPDA                                  **Manufacturer:** Wilkins                                  **Model:** 375ASTDA  
**Size:** 3    **Orientation:** H    **Meters:** (O), M  
**Manual:** 10    **0.25% Pb:** Yes    **Spare Parts Only:** No  
**Approved:** 20-Feb-2014                                  **Renewed:** 20-Feb-2020                                  **Bypass:** Wilkins 975XLD 3/4 (H)  
**Shutoffs:** (yyy),qqq,ttt,uuuu,vvvv,xxxx,yyyy,kkkkk,lllll,iiiii,jjjjj,lllll,mmmmmm  
**Notes:** Lead free compliant version: By-pass Assembly Starting Serial # 3863325 and identified with NSF61 mark on meter

---

**Type:** RPDA                                  **Manufacturer:** Wilkins                                  **Model:** 375ASTDA  
**Size:** 4    **Orientation:** H    **Meters:** (M),H,I,J,K,L,N,O,P,Q  
**Manual:** 10    **0.25% Pb:** No    **Spare Parts Only:** No  
**Approved:** 14-Jun-2013                                  **Renewed:** 14-Jun-2022                                  **Bypass:** Wilkins 975XLD 3/4" (H)  
**Shutoffs:** (yyy),qqq,ttt,uuuu,vvvv,xxxx,yyyy,kkkkk,lllll,iiiii,jjjjj,lllll,mmmmmm















**Type:** RPDA                                      **Manufacturer:** Wilkins                                      **Model:** 475STDA  
**Size:** 4    **Orientation:** VUVU    **Meters:** (O),G,H,I,J,K,L,M,N,Q,T  
**Manual:** 10    **0.25% Pb:** Yes    **Spare Parts Only:** No  
**Approved:** 18-Dec-2018                                      **Renewed:** 18-Dec-2021                                      **Bypass:** Wilkins 975XLDTCU 3/4 (H)  
**Shutoffs:** (kkkkk),yyy,ssss,uuuu,vvvv,xxxx,yyyy,aaaaa,lllll,ggggggg,iiiiii,jjjjjj,lllll,mmmmmm,oooooo

---

**Type:** RPDA                                      **Manufacturer:** Wilkins                                      **Model:** 475STDA  
**Size:** 6    **Orientation:** VUVD    **Meters:** (O),G,H,I,J,K,L,M,N,Q,T  
**Manual:** 10    **0.25% Pb:** Yes    **Spare Parts Only:** No  
**Approved:** 18-Dec-2018                                      **Renewed:** 18-Dec-2021                                      **Bypass:** Wilkins 975XLDTCU 3/4 (H)  
**Shutoffs:** (kkkkk),yyy,ssss,uuuu,vvvv,xxxx,yyyy,aaaaa,lllll,ggggggg,iiiiii,jjjjjj,lllll,mmmmmm,oooooo

---

**Type:** RPDA                                      **Manufacturer:** Wilkins                                      **Model:** 475STDA  
**Size:** 6    **Orientation:** VUVU    **Meters:** (O),G,H,I,J,K,L,M,N,Q,T  
**Manual:** 10    **0.25% Pb:** Yes    **Spare Parts Only:** No  
**Approved:** 18-Dec-2018                                      **Renewed:** 18-Dec-2021                                      **Bypass:** Wilkins 975XLDTCU 3/4 (H)  
**Shutoffs:** (kkkkk),yyy,ssss,uuuu,vvvv,xxxx,yyyy,aaaaa,lllll,ggggggg,iiiiii,jjjjjj,lllll,mmmmmm,oooooo

---

**Type:** RPDA                                      **Manufacturer:** Wilkins                                      **Model:** 475STDA  
**Size:** 8    **Orientation:** VUVD    **Meters:** (O),G,H,I,J,K,L,M,N,Q,T  
**Manual:** 10    **0.25% Pb:** Yes    **Spare Parts Only:** No  
**Approved:** 18-Dec-2018                                      **Renewed:** 18-Dec-2021                                      **Bypass:** Wilkins 975XLDTCU 3/4 (H)  
**Shutoffs:** (kkkkk),yyy,ssss,uuuu,vvvv,xxxx,yyyy,aaaaa,lllll,ggggggg,iiiiii,jjjjjj,lllll,mmmmmm,oooooo

---

**Type:** RPDA                                      **Manufacturer:** Wilkins                                      **Model:** 475STDA  
**Size:** 8    **Orientation:** VUVU    **Meters:** (O),G,H,I,J,K,L,M,N,Q,T  
**Manual:** 10    **0.25% Pb:** Yes    **Spare Parts Only:** No  
**Approved:** 18-Dec-2018                                      **Renewed:** 18-Dec-2021                                      **Bypass:** Wilkins 975XLDTCU 3/4 (H)  
**Shutoffs:** (kkkkk),yyy,ssss,uuuu,vvvv,xxxx,yyyy,aaaaa,lllll,ggggggg,iiiiii,jjjjjj,lllll,mmmmmm,oooooo

---

**Type:** RPDA                                      **Manufacturer:** Wilkins                                      **Model:** 475STDA  
**Size:** 10    **Orientation:** VUVD    **Meters:** (O),G,H,I,J,K,L,M,N,Q,T  
**Manual:** 10    **0.25% Pb:** Yes    **Spare Parts Only:** No  
**Approved:** 18-Dec-2018                                      **Renewed:** 18-Dec-2021                                      **Bypass:** Wilkins 975XLDTCU 3/4 (H)  
**Shutoffs:** (kkkkk),yyy,ssss,uuuu,vvvv,xxxx,yyyy,aaaaa,lllll,ggggggg,iiiiii,jjjjjj,lllll,mmmmmm,oooooo

---

**Type:** RPDA                                      **Manufacturer:** Wilkins                                      **Model:** 475STDA  
**Size:** 10    **Orientation:** VUVU    **Meters:** (O),G,H,I,J,K,L,M,N,Q,T  
**Manual:** 10    **0.25% Pb:** Yes    **Spare Parts Only:** No  
**Approved:** 18-Dec-2018                                      **Renewed:** 18-Dec-2021                                      **Bypass:** Wilkins 975XLDTCU 3/4 (H)  
**Shutoffs:** (kkkkk),yyy,ssss,uuuu,vvvv,xxxx,yyyy,aaaaa,lllll,ggggggg,iiiiii,jjjjjj,lllll,mmmmmm,oooooo

**Type:** RPDA                                    **Manufacturer:** Wilkins                                    **Model:** 475STDAR  
**Size:** 4    **Orientation:** VUVD                                        **Meters:** (O),G,H,I,J,K,L,M,N,Q,T  
**Manual:** 10                                      **0.25% Pb:** Yes    **Spare Parts Only:** No  
**Approved:** 18-Dec-2018                    **Renewed:** 18-Dec-2021                                **Bypass:** Wilkins 975XLD 3/4 (H)  
**Shutoffs:** (kkkkk),yyy,ssss,uuuu,vvvv,xxxx,yyyy,aaaaa,lllll,ggggggg,iiiiii,jjjjjj,lllll,mmmmmm,oooooo

---

**Type:** RPDA                                    **Manufacturer:** Wilkins                                    **Model:** 475STDAR  
**Size:** 4    **Orientation:** VUVU                                        **Meters:** (O),G,H,I,J,K,L,M,N,Q,T  
**Manual:** 10                                      **0.25% Pb:** Yes    **Spare Parts Only:** No  
**Approved:** 18-Dec-2018                    **Renewed:** 18-Dec-2021                                **Bypass:** Wilkins 975XLD 3/4 (H)  
**Shutoffs:** (kkkkk),yyy,ssss,uuuu,vvvv,xxxx,yyyy,aaaaa,lllll,ggggggg,iiiiii,jjjjjj,lllll,mmmmmm,oooooo

---

**Type:** RPDA                                    **Manufacturer:** Wilkins                                    **Model:** 475STDAR  
**Size:** 6    **Orientation:** VUVD                                        **Meters:** (O),G,H,I,J,K,L,M,N,Q,T  
**Manual:** 10                                      **0.25% Pb:** Yes    **Spare Parts Only:** No  
**Approved:** 18-Dec-2018                    **Renewed:** 18-Dec-2021                                **Bypass:** Wilkins 975XLD 3/4 (H)  
**Shutoffs:** (kkkkk),yyy,ssss,uuuu,vvvv,xxxx,yyyy,aaaaa,lllll,ggggggg,iiiiii,jjjjjj,lllll,mmmmmm,oooooo

---

**Type:** RPDA                                    **Manufacturer:** Wilkins                                    **Model:** 475STDAR  
**Size:** 6    **Orientation:** VUVU                                        **Meters:** (O),G,H,I,J,K,L,M,N,Q,T  
**Manual:** 10                                      **0.25% Pb:** Yes    **Spare Parts Only:** No  
**Approved:** 18-Dec-2018                    **Renewed:** 18-Dec-2021                                **Bypass:** Wilkins 975XLD 3/4 (H)  
**Shutoffs:** (kkkkk),yyy,ssss,uuuu,vvvv,xxxx,yyyy,aaaaa,lllll,ggggggg,iiiiii,jjjjjj,lllll,mmmmmm,oooooo

---

**Type:** RPDA                                    **Manufacturer:** Wilkins                                    **Model:** 475STDAR  
**Size:** 8    **Orientation:** VUVD                                        **Meters:** (O),G,H,I,J,K,L,M,N,Q,T  
**Manual:** 10                                      **0.25% Pb:** Yes    **Spare Parts Only:** No  
**Approved:** 18-Dec-2018                    **Renewed:** 18-Dec-2021                                **Bypass:** Wilkins 975XLD 3/4 (H)  
**Shutoffs:** (kkkkk),yyy,ssss,uuuu,vvvv,xxxx,yyyy,aaaaa,lllll,ggggggg,iiiiii,jjjjjj,lllll,mmmmmm,oooooo

---

**Type:** RPDA                                    **Manufacturer:** Wilkins                                    **Model:** 475STDAR  
**Size:** 8    **Orientation:** VUVU                                        **Meters:** (O),G,H,I,J,K,L,M,N,Q,T  
**Manual:** 10                                      **0.25% Pb:** Yes    **Spare Parts Only:** No  
**Approved:** 18-Dec-2018                    **Renewed:** 18-Dec-2021                                **Bypass:** Wilkins 975XLD 3/4 (H)  
**Shutoffs:** (kkkkk),yyy,ssss,uuuu,vvvv,xxxx,yyyy,aaaaa,lllll,ggggggg,iiiiii,jjjjjj,lllll,mmmmmm,oooooo

---

**Type:** RPDA                                    **Manufacturer:** Wilkins                                    **Model:** 475STDAR  
**Size:** 10    **Orientation:** VUVD                                        **Meters:** (O),G,H,I,J,K,L,M,N,Q,T  
**Manual:** 10                                      **0.25% Pb:** Yes    **Spare Parts Only:** No  
**Approved:** 18-Dec-2018                    **Renewed:** 18-Dec-2021                                **Bypass:** Wilkins 975XLD 3/4 (H)  
**Shutoffs:** (kkkkk),yyy,ssss,uuuu,vvvv,xxxx,yyyy,aaaaa,lllll,ggggggg,iiiiii,jjjjjj,lllll,mmmmmm,oooooo









<b>Type:</b> RPDA-II	<b>Manufacturer:</b> Ames	<b>Model:</b> Deringer 50GX
<b>Size:</b> 6	<b>Orientation:</b> H	<b>Meters:</b> (O),G,H,I,J,K,L,M,N,Q,T
<b>Manual:</b> 10	<b>0.25% Pb:</b> Yes	<b>Spare Parts Only:</b> No
<b>Approved:</b> 26-Mar-2020	<b>Renewed:</b>	<b>Bypass:</b> Backflow Direct 1/2" CV(HVD)
<b>Shutoffs:</b> (ssssss), ttttt		

---

<b>Type:</b> RPDA-II	<b>Manufacturer:</b> Ames	<b>Model:</b> Deringer 50X
<b>Size:</b> 6	<b>Orientation:</b> H	<b>Meters:</b> (O),G,H,I,J,K,L,M,N,Q,T
<b>Manual:</b> 10	<b>0.25% Pb:</b> Yes	<b>Spare Parts Only:</b> No
<b>Approved:</b> 26-Mar-2020	<b>Renewed:</b>	<b>Bypass:</b> Backflow Direct 1/2" CV(HVD)
<b>Shutoffs:</b> (int)		

---

<b>Type:</b> RPDA-II	<b>Manufacturer:</b> Apollo/Conbraco	<b>Model:</b> RPDA24A
<b>Size:</b> 1 1/2	<b>Orientation:</b> H	<b>Meters:</b> (M),G,H,I,J,K,L,N,O,P,Q,T
<b>Manual:</b> 10	<b>0.25% Pb:</b> No	<b>Spare Parts Only:</b> No
<b>Approved:</b> 31-Oct-2016	<b>Renewed:</b> 31-Oct-2019	<b>Bypass:</b> Apollo 1/2" Model CVA4A (HVD)
<b>Shutoffs:</b> (dddddd)		

---

<b>Type:</b> RPDA-II	<b>Manufacturer:</b> Apollo/Conbraco	<b>Model:</b> RPDA24A
<b>Size:</b> 2	<b>Orientation:</b> H	<b>Meters:</b> (M),G,H,I,J,K,L,N,O,P,Q,T
<b>Manual:</b> 10	<b>0.25% Pb:</b> No	<b>Spare Parts Only:</b> No
<b>Approved:</b> 31-Oct-2016	<b>Renewed:</b> 31-Oct-2019	<b>Bypass:</b> Apollo 1/2" Model CVA4A (HVD)
<b>Shutoffs:</b> (dddddd)		

---

<b>Type:</b> RPDA-II	<b>Manufacturer:</b> Apollo/Conbraco	<b>Model:</b> RPDA2LF4A
<b>Size:</b> 1 1/2	<b>Orientation:</b> H	<b>Meters:</b> (M),G,H,I,J,K,L,N,O,P,Q,T
<b>Manual:</b> 10	<b>0.25% Pb:</b> No	<b>Spare Parts Only:</b> No
<b>Approved:</b> 31-Oct-2016	<b>Renewed:</b> 31-Oct-2019	<b>Bypass:</b> Apollo 1/2" Model CVALF4A (HVD)
<b>Shutoffs:</b> (eeeeee)		

---

<b>Type:</b> RPDA-II	<b>Manufacturer:</b> Apollo/Conbraco	<b>Model:</b> RPDA2LF4A
<b>Size:</b> 2	<b>Orientation:</b> H	<b>Meters:</b> (M),G,H,I,J,K,L,N,O,P,Q,T
<b>Manual:</b> 10	<b>0.25% Pb:</b> No	<b>Spare Parts Only:</b> No
<b>Approved:</b> 31-Oct-2016	<b>Renewed:</b> 31-Oct-2019	<b>Bypass:</b> Apollo 1/2" Model CVALF4A (HVD)
<b>Shutoffs:</b> (eeeeee)		





**Type:** RPDA-II                                   **Manufacturer:** Apollo/Conbraco                                   **Model:** RPDA2LF4AR  
**Size:** 4   **Orientation:** H   **Meters:** (M),G,H,I,J,K,L,N,O,P,Q,T  
**Manual:** 10                                       **0.25% Pb:** Yes                                       **Spare Parts Only:** No  
**Approved:** 27-Mar-2018                                   **Renewed:** 27-Mar-2021                                   **Bypass:** Apollo 1/2" Model CVALF4A (HVD)  
**Shutoffs:** (xxxxx),zzz,cccc,dddd,kkkk,l,lll,mmmm,nnnn,yyyyy,zzzzz,aaaaaa  
**Notes:** Integral Stainless Steel grooved spool between the #2 ck and #2 SOV - assembly length: min. 37 3/8" and max. 62 1/4"

---

**Type:** RPDA-II                                   **Manufacturer:** Apollo/Conbraco                                   **Model:** RPDA2LF4AR  
**Size:** 6   **Orientation:** H   **Meters:** (M),G,H,I,J,K,L,N,O,P,Q,T  
**Manual:** 10                                       **0.25% Pb:** Yes                                       **Spare Parts Only:** No  
**Approved:** 27-Mar-2018                                   **Renewed:** 27-Mar-2021                                   **Bypass:** Apollo 1/2" Model CVALF4A (HVD)  
**Shutoffs:** (xxxxx),zzz,cccc,dddd,kkkk,l,lll,mmmm,nnnn,yyyyy,zzzzz,aaaaaa  
**Notes:** Integral Stainless Steel grooved spool between the #2 ck and #2 SOV - assembly length: min. 46" and max. 71 1/4"

---

**Type:** RPDA-II                                   **Manufacturer:** Apollo/Conbraco                                   **Model:** RPDA2LF4AR  
**Size:** 8   **Orientation:** H   **Meters:** (M),G,H,I,J,K,L,N,O,P,Q,T  
**Manual:** 10                                       **0.25% Pb:** Yes                                       **Spare Parts Only:** No  
**Approved:** 27-Mar-2018                                   **Renewed:** 27-Mar-2021                                   **Bypass:** Apollo 1/2" Model CVALF4A (HVD)  
**Shutoffs:** (xxxxx),zzz,cccc,dddd,kkkk,l,lll,mmmm,nnnn,yyyyy,zzzzz,aaaaaa  
**Notes:** Integral Stainless Steel grooved spool between the #2 ck and #2 SOV - assembly length: min. 55 3/4" and max. 86"

---

**Type:** RPDA-II                                   **Manufacturer:** Apollo/Conbraco                                   **Model:** RPDA2LF4AR  
**Size:** 10   **Orientation:** H   **Meters:** (M),G,H,I,J,K,L,N,O,P,Q,T  
**Manual:** 10                                       **0.25% Pb:** Yes                                       **Spare Parts Only:** No  
**Approved:** 05-Nov-2021                                   **Renewed:**   **Bypass:** Apollo 1/2" Model CVALF4A (HVD)  
**Shutoffs:** (zzzzz), zzz,cccc,dddd,kkkk,l,lll,mmmm,nnnn,xxxxx, yyyyy,aaaaaa  
**Notes:** Integral Stainless Steel grooved spool between the #2 ck and #2 SOV - assembly length: min. 65 3/4" and max. 100 5/8"

---

**Type:** RPDA-II                                   **Manufacturer:** Backflow Direct                                   **Model:** Deringer 50  
**Size:** 2 1/2                                       **Orientation:** H   **Meters:** (O),G,H,I,J,K,L,M,N,Q,T  
**Manual:** 10                                       **0.25% Pb:** Yes                                       **Spare Parts Only:** No  
**Approved:** 20-Jan-2017                                   **Renewed:** 20-Jan-2020                                   **Bypass:** Backflow Direct 1/2" CV(HVD)  
**Shutoffs:** (int)









**Type:** RPDA-II                      **Manufacturer:** Febco                      **Model:** LF886V  
**Size:** 6                                  **Orientation:** VUVD                      **Meters:** (O),G,H,I,J,K,L,M,N,P,Q,T  
**Manual:** 10                              **0.25% Pb:** Yes                      **Spare Parts Only:** No  
**Approved:** 26-Jan-2015              **Renewed:** 26-Jan-2021              **Bypass:** Watts 3/4" LF619 (HVU)  
**Shutoffs:** (mm), ll,oo,pp,zzz,cccc,dddd,eeee,ffff,gggg,nnnnn

---

**Type:** RPDA-II                      **Manufacturer:** Febco                      **Model:** LF886V  
**Size:** 6                                  **Orientation:** VUVU                      **Meters:** (O),J,K,L,M,N,P,Q  
**Manual:** 10                              **0.25% Pb:** Yes                      **Spare Parts Only:** No  
**Approved:** 26-Jan-2015              **Renewed:** 26-Jan-2021              **Bypass:** Watts 3/4" LF619 (HVD)  
**Shutoffs:** (mm), ll,oo,pp,zzz,cccc,dddd,eeee,ffff,gggg,nnnnn

---

**Type:** RPDA-II                      **Manufacturer:** Febco                      **Model:** LF886V  
**Size:** 8                                  **Orientation:** VUVD                      **Meters:** (O)  
**Manual:** 10                              **0.25% Pb:** Yes                      **Spare Parts Only:** No  
**Approved:** 07-Jul-2015              **Renewed:** 07-Jul-2021              **Bypass:** Watts 3/4" LF619 (HVU)  
**Shutoffs:** (mm), ll,oo,pp,zzz,cccc,dddd,eeee,ffff,gggg,nnnnn

---

**Type:** RPDA-II                      **Manufacturer:** Febco                      **Model:** LF886V  
**Size:** 8                                  **Orientation:** VUVU                      **Meters:** (O)  
**Manual:** 10                              **0.25% Pb:** Yes                      **Spare Parts Only:** No  
**Approved:** 07-Jul-2015              **Renewed:** 07-Jul-2021              **Bypass:** Watts 3/4" LF619 (HVD)  
**Shutoffs:** (mm), ll,oo,pp,zzz,cccc,dddd,eeee,ffff,gggg,nnnnn

---

**Type:** RPDA-II                      **Manufacturer:** Febco                      **Model:** LF886V  
**Size:** 10                                  **Orientation:** VUVD                      **Meters:** (O),G,H,I,J,K,L,M,N,P,Q,T  
**Manual:** 10                              **0.25% Pb:** Yes                      **Spare Parts Only:** No  
**Approved:** 29-May-2018              **Renewed:** 29-May-2021              **Bypass:** Watts 3/4" LF619 (HVU)  
**Shutoffs:** (mm),ll,oo,pp,zzz,cccc,dddd,eeee,ffff,gggg,nnnnn

---

**Type:** RPDA-II                      **Manufacturer:** Febco                      **Model:** LF886V  
**Size:** 10                                  **Orientation:** VUVU                      **Meters:** (O),G,H,I,J,K,L,M,N,P,Q,T  
**Manual:** 10                              **0.25% Pb:** Yes                      **Spare Parts Only:** No  
**Approved:** 29-May-2018              **Renewed:** 29-May-2021              **Bypass:** Watts 3/4" LF619 (HVD)  
**Shutoffs:** (mm),ll,oo,pp,zzz,cccc,dddd,eeee,ffff,gggg,nnnnn

---

**Type:** RPDA-II                      **Manufacturer:** Febco                      **Model:** LF886W  
**Size:** 4                                  **Orientation:** VUVD                      **Meters:** (O),G,H,I,J,K,L,M,N,P,Q,T  
**Manual:** 10                              **0.25% Pb:** Yes                      **Spare Parts Only:** No  
**Approved:** 26-Mar-2020              **Renewed:**                                  **Bypass:** Watts 3/4" LF619 (HVU)  
**Shutoffs:** (mm), ll,oo,pp,zzz,cccc,dddd,eeee,ffff,gggg,nnnnn

**Type:** RPDA-II                      **Manufacturer:** Febco                      **Model:** LF886W  
**Size:** 4                                      **Orientation:** VUVU                      **Meters:** (O),G,H,I,J,K,L,M,N,P,Q,T  
**Manual:** 10                                      **0.25% Pb:** Yes                      **Spare Parts Only:** No  
**Approved:** 26-Mar-2020                      **Renewed:**                      **Bypass:** Watts 3/4" LF619 (HVD)  
**Shutoffs:** (mm), ll,oo,pp,zzz,cccc,dddd,eeee,ffff,gggg,nnnnn

---

**Type:** RPDA-II                      **Manufacturer:** Febco                      **Model:** LF886W  
**Size:** 6                                      **Orientation:** VUVD                      **Meters:** (O),G,H,I,J,K,L,M,N,P,Q,T  
**Manual:** 10                                      **0.25% Pb:** Yes                      **Spare Parts Only:** No  
**Approved:** 26-Mar-2020                      **Renewed:**                      **Bypass:** Watts 3/4" LF619 (HVU)  
**Shutoffs:** (mm), ll,oo,pp,zzz,cccc,dddd,eeee,ffff,gggg,nnnnn

---

**Type:** RPDA-II                      **Manufacturer:** Febco                      **Model:** LF886W  
**Size:** 6                                      **Orientation:** VUVU                      **Meters:** (O),G,H,I,J,K,L,M,N,P,Q,T  
**Manual:** 10                                      **0.25% Pb:** Yes                      **Spare Parts Only:** No  
**Approved:** 26-Mar-2020                      **Renewed:**                      **Bypass:** Watts 3/4" LF619 (HVD)  
**Shutoffs:** (mm), ll,oo,pp,zzz,cccc,dddd,eeee,ffff,gggg,nnnnn

---

**Type:** RPDA-II                      **Manufacturer:** Febco                      **Model:** LF886W  
**Size:** 8                                      **Orientation:** VUVD                      **Meters:** (O)  
**Manual:** 10                                      **0.25% Pb:** Yes                      **Spare Parts Only:** No  
**Approved:** 15-May-2020                      **Renewed:**                      **Bypass:** Watts 3/4" LF619 (HVU)  
**Shutoffs:** (mm), ll,oo,pp,zzz,cccc,dddd,eeee,ffff,gggg,nnnnn

---

**Type:** RPDA-II                      **Manufacturer:** Febco                      **Model:** LF886W  
**Size:** 8                                      **Orientation:** VUVU                      **Meters:** (O)  
**Manual:** 10                                      **0.25% Pb:** Yes                      **Spare Parts Only:** No  
**Approved:** 15-May-2020                      **Renewed:**                      **Bypass:** Watts 3/4" LF619 (HVD)  
**Shutoffs:** (mm), ll,oo,pp,zzz,cccc,dddd,eeee,ffff,gggg,nnnnn

---

**Type:** RPDA-II                      **Manufacturer:** Febco                      **Model:** LF886W  
**Size:** 10                                      **Orientation:** VUVD                      **Meters:** (O),G,H,I,J,K,L,M,N,P,Q,T  
**Manual:** 10                                      **0.25% Pb:** Yes                      **Spare Parts Only:** No  
**Approved:** 15-May-2020                      **Renewed:**                      **Bypass:** Watts 3/4" LF619 (HVU)  
**Shutoffs:** (mm),ll,oo,pp,zzz,cccc,dddd,eeee,ffff,gggg,nnnnn

---

**Type:** RPDA-II                      **Manufacturer:** Febco                      **Model:** LF886W  
**Size:** 10                                      **Orientation:** VUVU                      **Meters:** (O),G,H,I,J,K,L,M,N,P,Q,T  
**Manual:** 10                                      **0.25% Pb:** Yes                      **Spare Parts Only:** No  
**Approved:** 15-May-2020                      **Renewed:**                      **Bypass:** Watts 3/4" LF619 (HVD)  
**Shutoffs:** (mm),ll,oo,pp,zzz,cccc,dddd,eeee,ffff,gggg,nnnnn

**Type:** RPDA-II                                   **Manufacturer:** Febco                                   **Model:** LF886WZ  
**Size:** 4   **Orientation:** VUVD                                   **Meters:** (O),G,H,I,J,K,L,M,N,P,Q,T  
**Manual:** 10                                       **0.25% Pb:** Yes                                       **Spare Parts Only:** No  
**Approved:** 26-Mar-2020                                   **Renewed:**   **Bypass:** Watts 3/4" LF619 (HVU)  
**Shutoffs:** (mm), ll,oo,pp,zzz,cccc,dddd,eeee,ffff,gggg,nnnnn

---

**Type:** RPDA-II                                   **Manufacturer:** Febco                                   **Model:** LF886WZ  
**Size:** 4   **Orientation:** VUVU                                   **Meters:** (O),G,H,I,J,K,L,M,N,P,Q,T  
**Manual:** 10                                       **0.25% Pb:** Yes                                       **Spare Parts Only:** No  
**Approved:** 26-Mar-2020                                   **Renewed:**   **Bypass:** Watts 3/4" LF619 (HVD)  
**Shutoffs:** (mm), ll,oo,pp,zzz,cccc,dddd,eeee,ffff,gggg,nnnnn

---

**Type:** RPDA-II                                   **Manufacturer:** Febco                                   **Model:** LF886WZ  
**Size:** 6   **Orientation:** VUVD                                   **Meters:** (O),G,H,I,J,K,L,M,N,P,Q,T  
**Manual:** 10                                       **0.25% Pb:** Yes                                       **Spare Parts Only:** No  
**Approved:** 26-Mar-2020                                   **Renewed:**   **Bypass:** Watts 3/4" LF619 (HVU)  
**Shutoffs:** (mm), ll,oo,pp,zzz,cccc,dddd,eeee,ffff,gggg,nnnnn

---

**Type:** RPDA-II                                   **Manufacturer:** Febco                                   **Model:** LF886WZ  
**Size:** 6   **Orientation:** VUVU                                   **Meters:** (O),G,H,I,J,K,L,M,N,P,Q,T  
**Manual:** 10                                       **0.25% Pb:** Yes                                       **Spare Parts Only:** No  
**Approved:** 26-Mar-2020                                   **Renewed:**   **Bypass:** Watts 3/4" LF619 (HVD)  
**Shutoffs:** (mm), ll,oo,pp,zzz,cccc,dddd,eeee,ffff,gggg,nnnnn

---

**Type:** RPDA-II                                   **Manufacturer:** Febco                                   **Model:** LF886WZ  
**Size:** 8   **Orientation:** VUVD                                   **Meters:** (O)  
**Manual:** 10                                       **0.25% Pb:** Yes                                       **Spare Parts Only:** No  
**Approved:** 15-May-2020                                   **Renewed:**   **Bypass:** Watts 3/4" LF619 (HVU)  
**Shutoffs:** (mm), ll,oo,pp,zzz,cccc,dddd,eeee,ffff,gggg,nnnnn

---

**Type:** RPDA-II                                   **Manufacturer:** Febco                                   **Model:** LF886WZ  
**Size:** 8   **Orientation:** VUVU                                   **Meters:** (O)  
**Manual:** 10                                       **0.25% Pb:** Yes                                       **Spare Parts Only:** No  
**Approved:** 15-May-2020                                   **Renewed:**   **Bypass:** Watts 3/4" LF619 (HVD)  
**Shutoffs:** (mm), ll,oo,pp,zzz,cccc,dddd,eeee,ffff,gggg,nnnnn

---

**Type:** RPDA-II                                   **Manufacturer:** Febco                                   **Model:** LF886WZ  
**Size:** 10   **Orientation:** VUVD                                   **Meters:** (O),G,H,I,J,K,L,M,N,P,Q,T  
**Manual:** 10                                       **0.25% Pb:** Yes                                       **Spare Parts Only:** No  
**Approved:** 15-May-2020                                   **Renewed:**   **Bypass:** Watts 3/4" LF619 (HVU)  
**Shutoffs:** (mm),ll,oo,pp,zzz,cccc,dddd,eeee,ffff,gggg,nnnnn



**Type:** SVB  
**Size:** 3/4  
**Manual:** 9  
**Approved:** 13-Mar-2015  
**Shutoffs:** (vv),xx,ooo,hhhh,pppp,rrrr

**Manufacturer:** Watts  
**Orientation:** VUH  
**0.25% Pb:** Yes  
**Renewed:** 13-Mar-2021

**Model:** LF008PCQT  
**Meters:**  
**Spare Parts Only:** No  
**Bypass:**

---

**Type:** SVB  
**Size:** 1  
**Manual:** 9  
**Approved:** 13-Mar-2015  
**Shutoffs:** (vv),xx,ooo,hhhh,pppp,rrrr

**Manufacturer:** Watts  
**Orientation:** VUH  
**0.25% Pb:** Yes  
**Renewed:** 13-Mar-2021

**Model:** LF008PCQT  
**Meters:**  
**Spare Parts Only:** No  
**Bypass:**

---

**Type:** SVB  
**Size:** 3/8  
**Manual:** 9  
**Approved:** 09-Mar-2007  
**Shutoffs:** (ooo),ii

**Manufacturer:** Wilkins  
**Orientation:** VUH  
**0.25% Pb:** No  
**Renewed:** 09-Mar-2022

**Model:** 460  
**Meters:**  
**Spare Parts Only:** No  
**Bypass:**

---

**Type:** SVB  
**Size:** 1/2  
**Manual:** 9  
**Approved:** 09-Mar-2007  
**Shutoffs:** (ooo),ii

**Manufacturer:** Wilkins  
**Orientation:** VUH  
**0.25% Pb:** No  
**Renewed:** 09-Mar-2022

**Model:** 460  
**Meters:**  
**Spare Parts Only:** No  
**Bypass:**

---

**Type:** SVB  
**Size:** 3/4  
**Manual:** 9  
**Approved:** 08-May-2008  
**Shutoffs:** (ooo),ii

**Manufacturer:** Wilkins  
**Orientation:** VUH  
**0.25% Pb:** No  
**Renewed:** 08-May-2020

**Model:** 460  
**Meters:**  
**Spare Parts Only:** No  
**Bypass:**

---

**Type:** SVB  
**Size:** 1  
**Manual:** 9  
**Approved:** 08-May-2008  
**Shutoffs:** (ooo),ii

**Manufacturer:** Wilkins  
**Orientation:** VUH  
**0.25% Pb:** No  
**Renewed:** 08-May-2020

**Model:** 460  
**Meters:**  
**Spare Parts Only:** No  
**Bypass:**





# Manufacturers of Approved Backflow Prevention Assemblies

Ames Fire & Waterworks - A Watts Water Technologies Company  
<http://www.amesfirewater.com/>  
815 Chestnut Street  
North Andover, MA 01845  
(978) 688-1811

Apollo/Conbraco Industries, Inc.  
<http://www.apollovalves.com/>  
P. O. Box 247  
Matthews, NC 28105  
(704) 847-9191

AQUESTIA (A.R.I) DIRECTING THE FLOW  
<http://www.arivalves.com>  
Kibbutz Kfar Charuv  
M.P. South Golan  
ISRAEL, 12932  
972-4-6761800 or 972-4-6761988

Backflow Direct - A Watts Water Technologies Company  
[www.backflowdirect.com](http://www.backflowdirect.com)  
815 Chestnut Street  
North Andover, MA 01845  
(978) 688-1811

BEECO - Distributed by Mifab  
[www.beecobackflow.com](http://www.beecobackflow.com)  
1321 West 119th St  
Chicago, IL 60643-5109  
(800) 465-2736

Cla-Val Company  
<http://www.cla-val.com/>  
P. O. Box 1325  
Newport Beach, CA 92659-0325  
(949) 722-4800

FEBCO - A Watts Water Technologies Company  
<http://www.febcoonline.com>  
815 Chestnut Street  
North Andover, MA 01845  
(978) 688-1811

Watts - A Watts Water Technologies Company  
<http://www.wattsreg.com/>  
815 Chestnut Street  
North Andover, MA 01845  
(978) 688-1811

Wilkins Regulator Company  
<http://www.zurn.com/products/water-safety/backflow-prevention>  
1747 Commerce Way  
Paso Robles, CA 93446  
(800) 817-8177